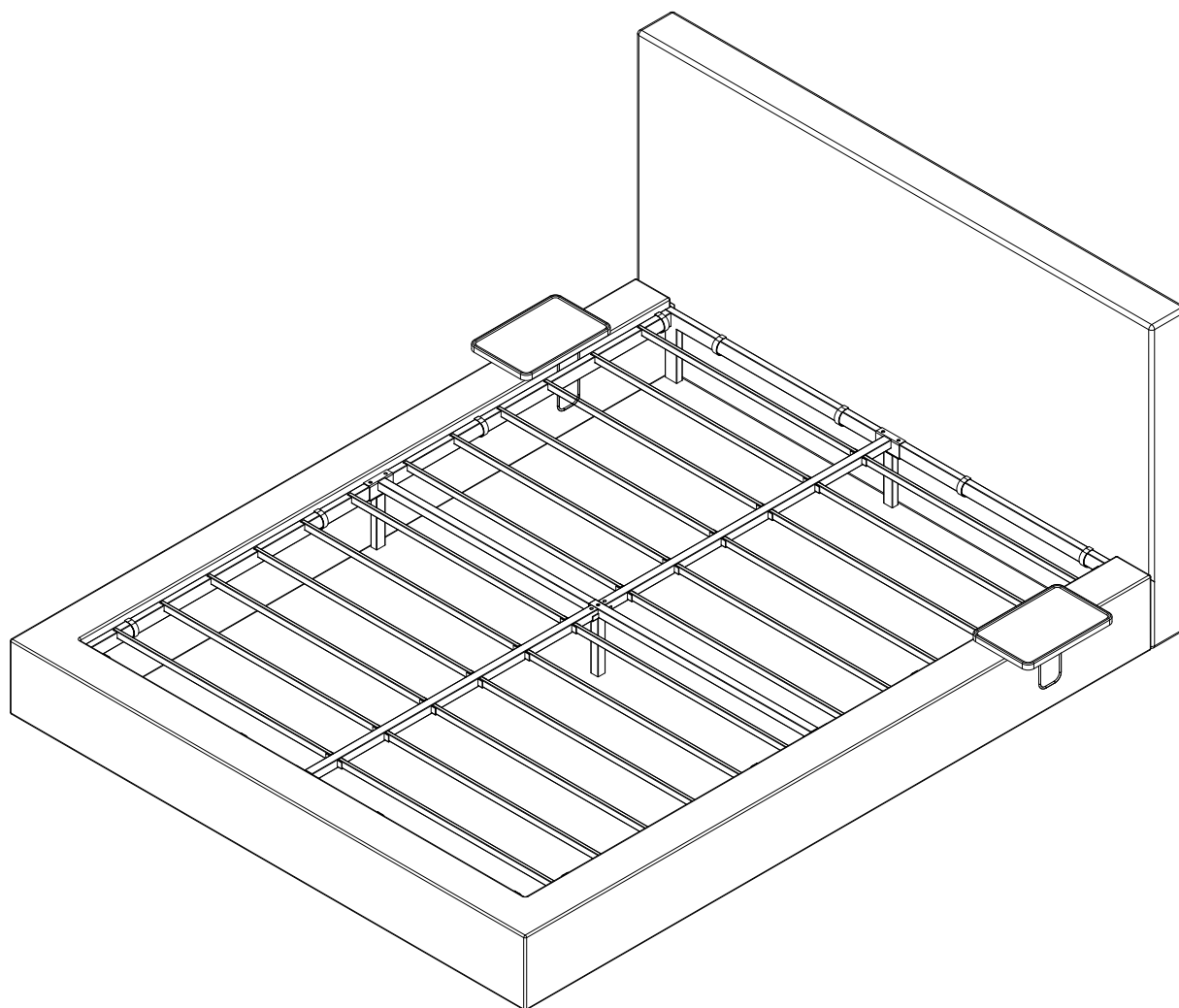


260127

Assembly Instruction

US-BED222AQ/BED222AK





General Guidelines

- Please read the following instructions carefully and use the product accordingly.
- Please keep this manual and hand it over when you transfer the product.
- This summary may not include every detail of all variations and considered steps. Please contact us when further information and help are needed.

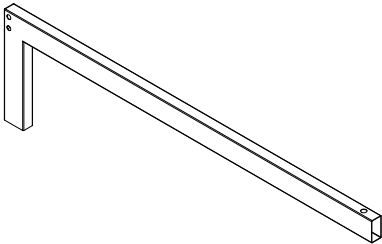
Notes

- The product is intended for indoor use only. The product must be assembled and used in accordance with the provisions of the manual. Personal injury and / or damage to the product may occur if products are used outside of their intended purposes and/or if products have been changed/modified from their original design.
- The seller does not assume any responsibility or liability with respect to any injury/damage caused by incorrect assembly or improper use.
- Avoid long-term exposure to humid environments to prevent mildew.
- Keep the product away from fire sources and high temperatures. Do not expose the product to direct sunlight.
- Do not place any hot objects on the surface of the product.
- If there are any defective or missing parts after unpacking, please cease assembly immediately and contact us.
- Please assemble the item on a spacious surface and do not place the unwrapped product directly on the ground to avoid product damage.
- Please do not stand or sit on the wooden boards.
- Please wear gloves during the assembly and/or disassembly process to avoid scratches from any sharp edges.
- Please match the corresponding part and fitting based on the part number in the manual.
- If the part does not match with the fitting, please check the piece as specified in this manual.
- During assembly, first loosely align all screws with the corresponding pre-drilled holes and then tighten the screws one by one.
- Periodically inspect screw tightness while the product is in use. If necessary, retighten to ensure structural integrity.
- If you accidentally spill water or another liquid on the surface, immediately wipe clean with a dry towel.
- Please keep the product away from sharp, pointed objects and corrosive substances to prevent product damage.
- Please place this item on level, solid ground during use.

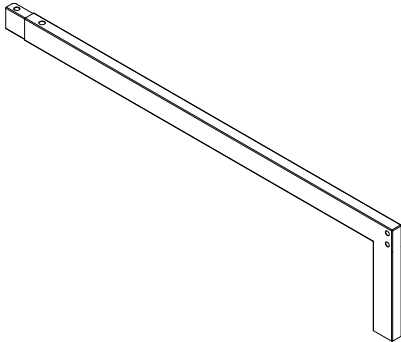
Warnings

- During assembly, keep all small parts out of the reach of children. It may be fatal if swallowed or inhaled.
- Children should not climb or play on the product in order to avoid tipping over the furniture and causing serious injury.
- To avoid the potential dangers of suffocation, please keep all parts and packaging (film, plastic bags, foam, etc.) away from babies and children.
- Keep sharp objects and corrosive items away from the product to avoid any damage or injury.
- Do not shake or move violently during use to avoid tipping over the product.

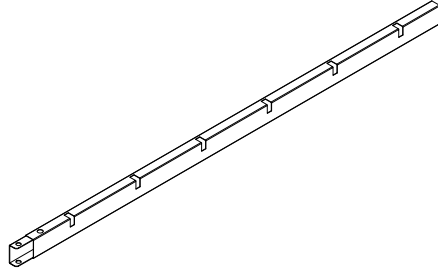
Part list



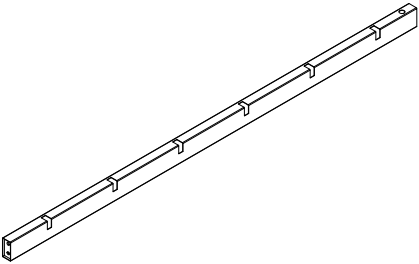
① X2



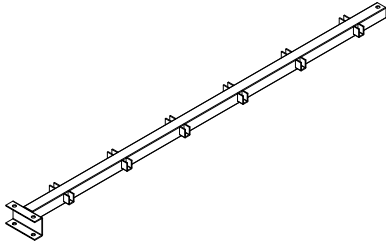
② X2



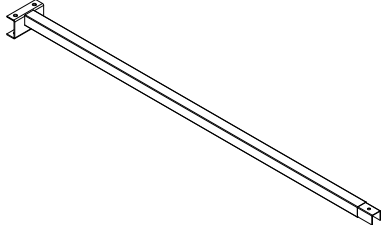
③ X2



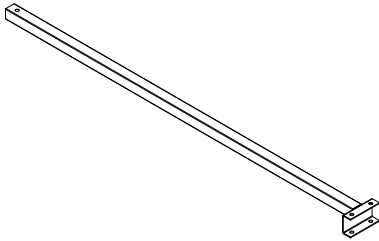
④ X2



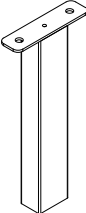
⑤ X2



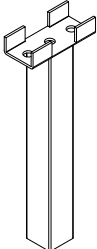
⑥ X1



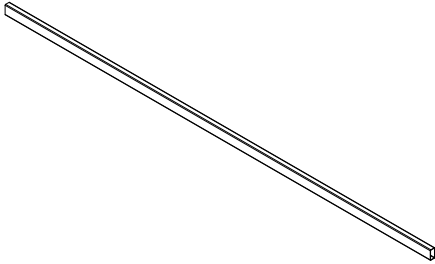
⑦ X1



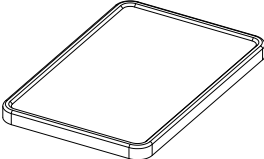
⑧ X4



⑨ X1



⑩ X24



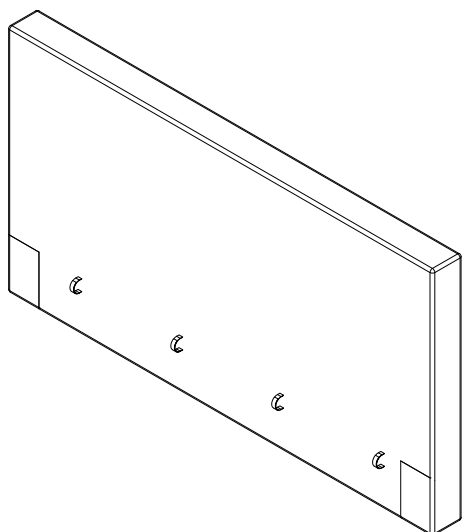
⑪ X2



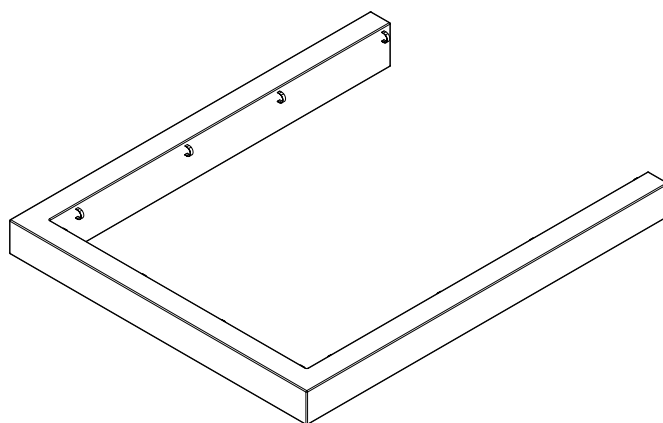
⑫ X4

Hardware list

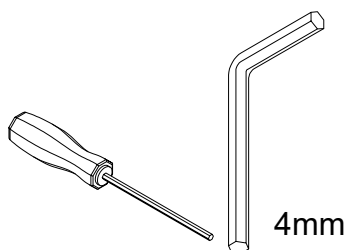
Unpack the vacuum compression bag to retrieve Component A and Component B



Ⓐ X1



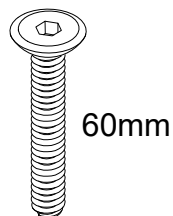
Ⓑ X1



Ⓒ X1



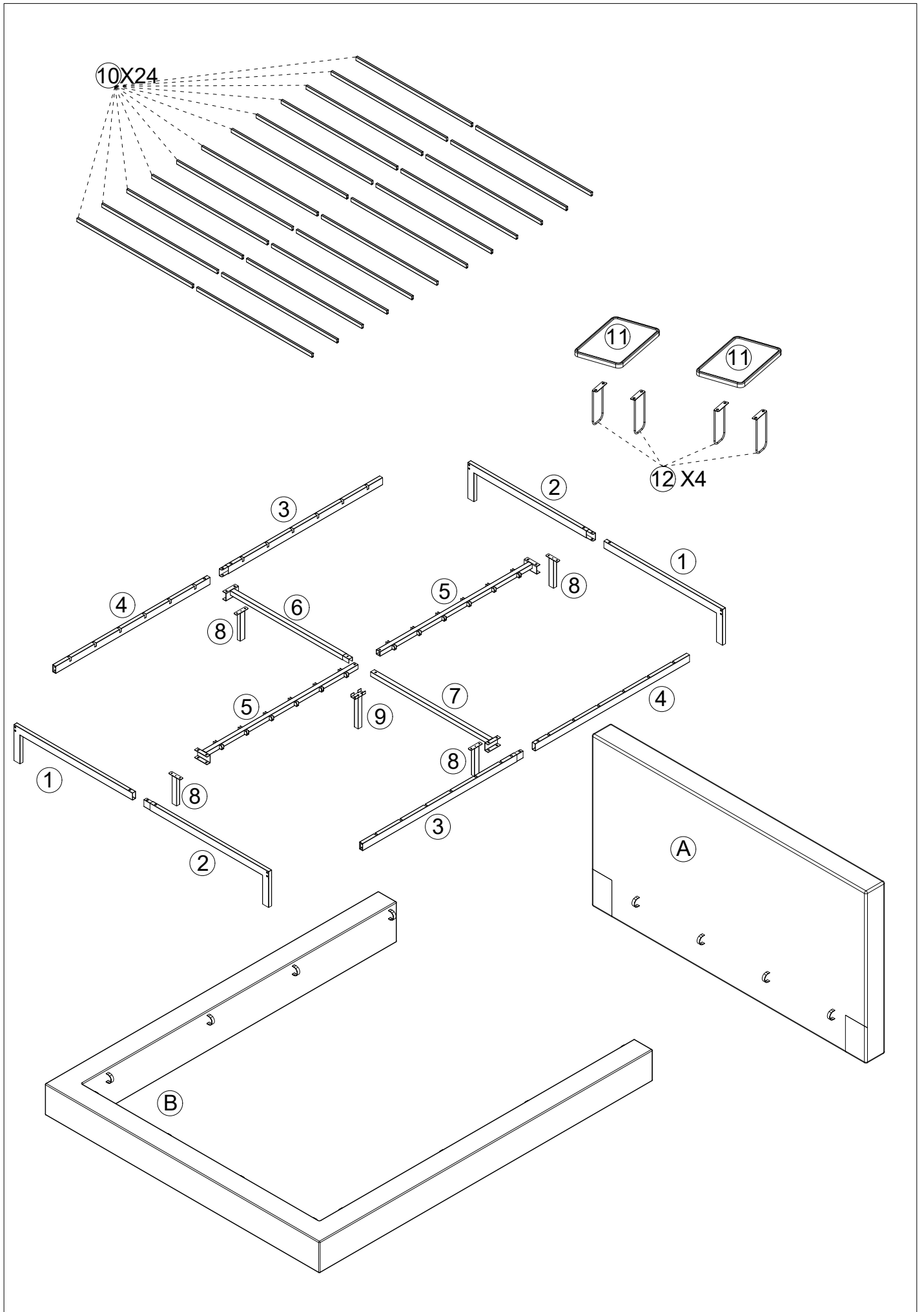
Ⓓ X11+1



Ⓔ X8+1

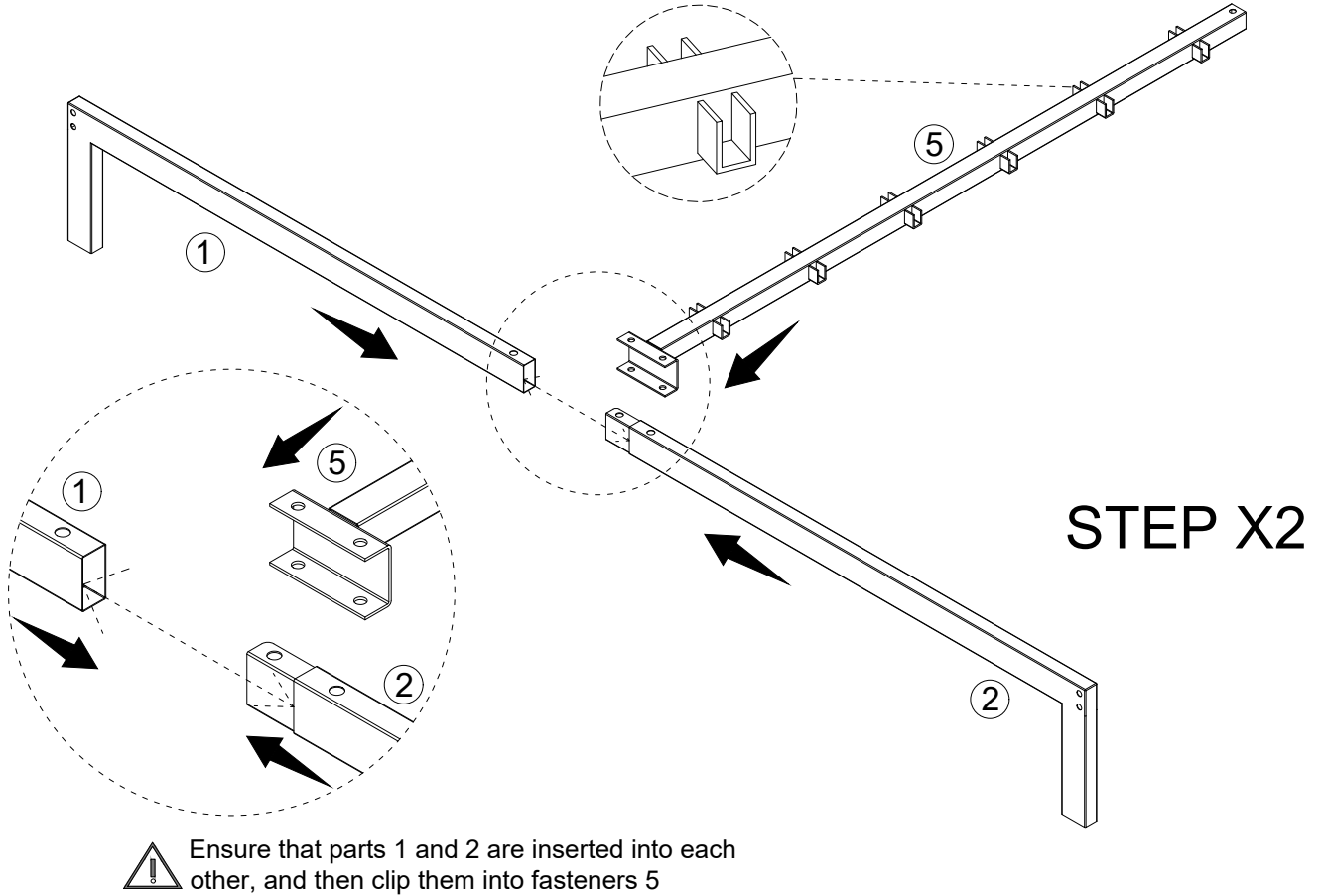


Ⓕ X8+1



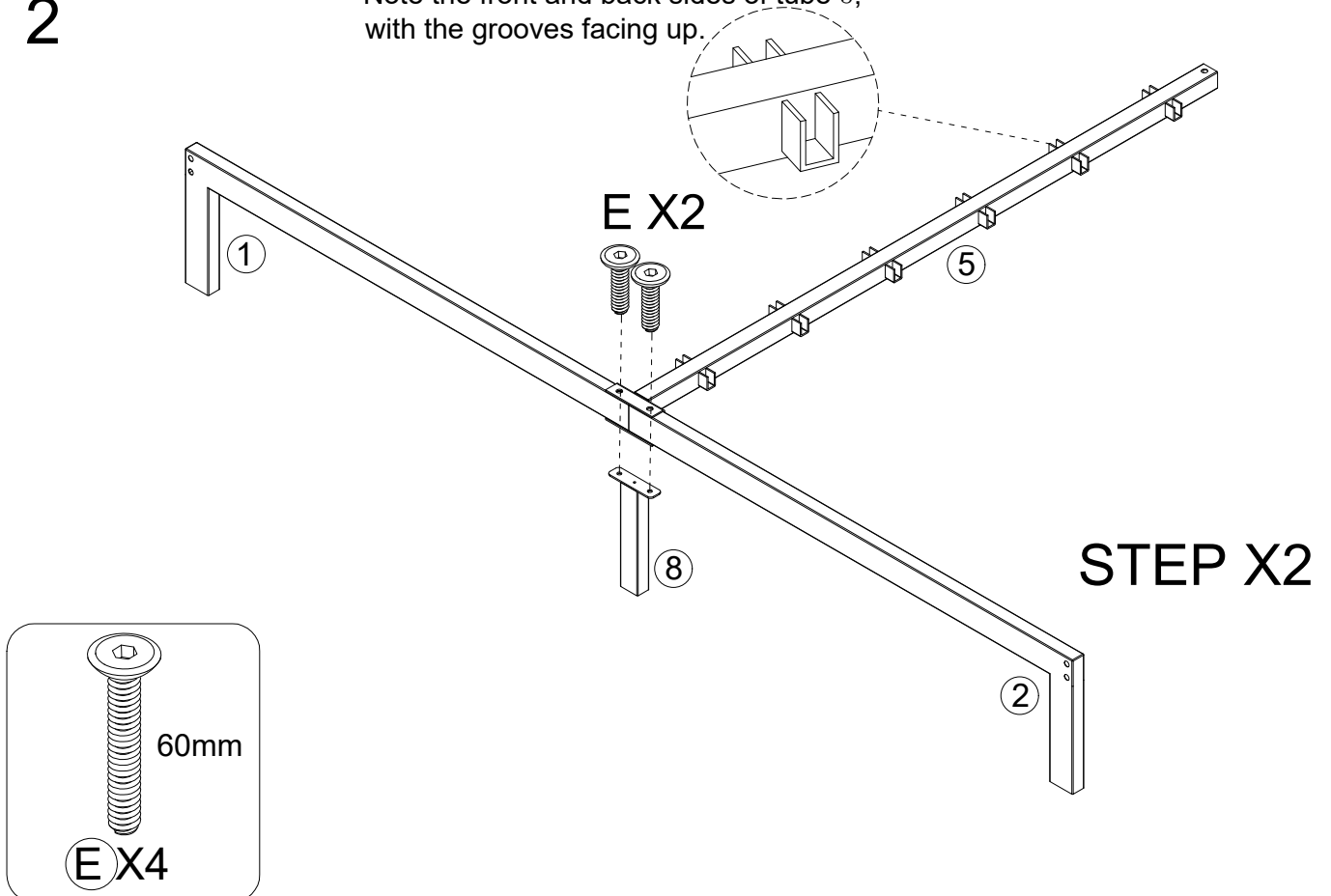
1

Note the front and back sides of tube 5, with the grooves facing up.



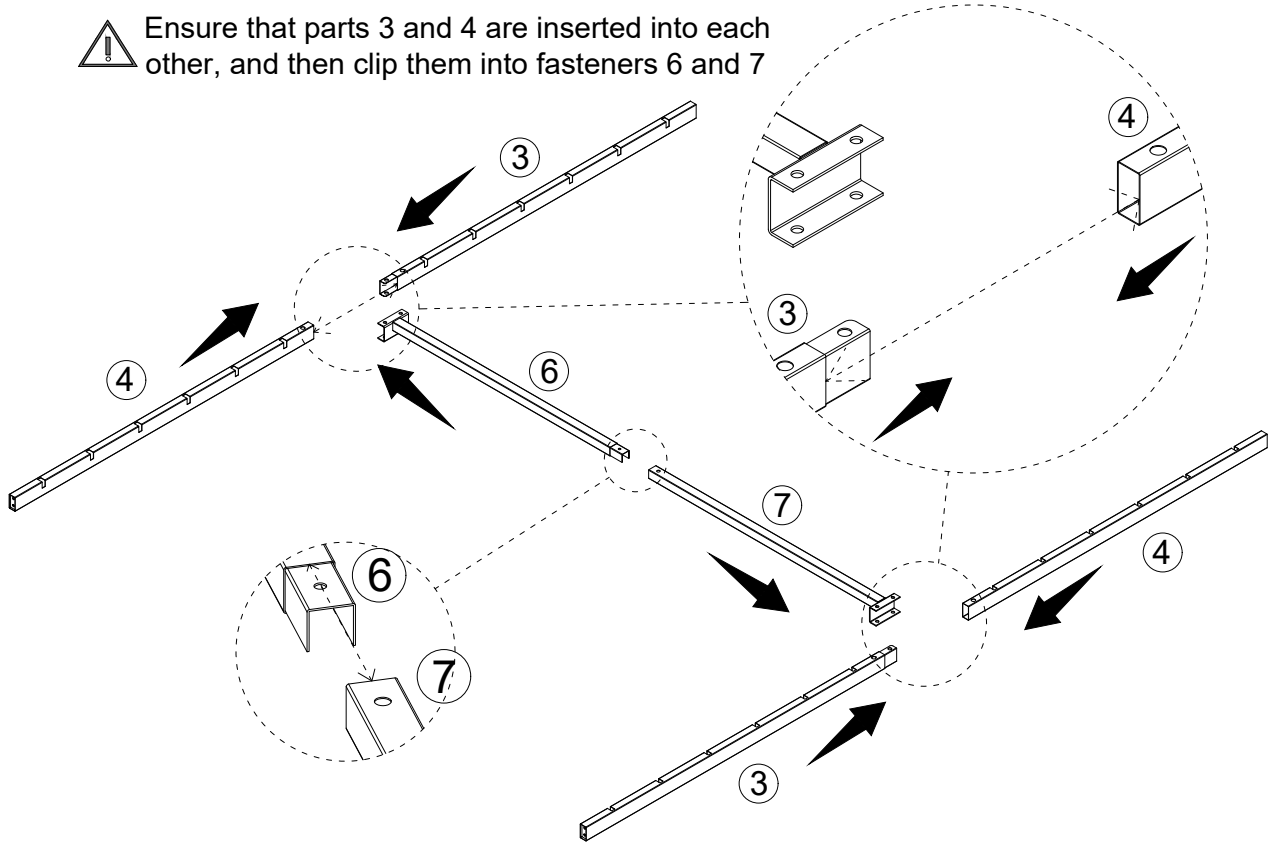
2

Note the front and back sides of tube 5, with the grooves facing up.

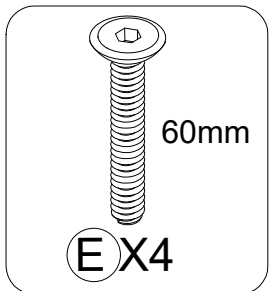
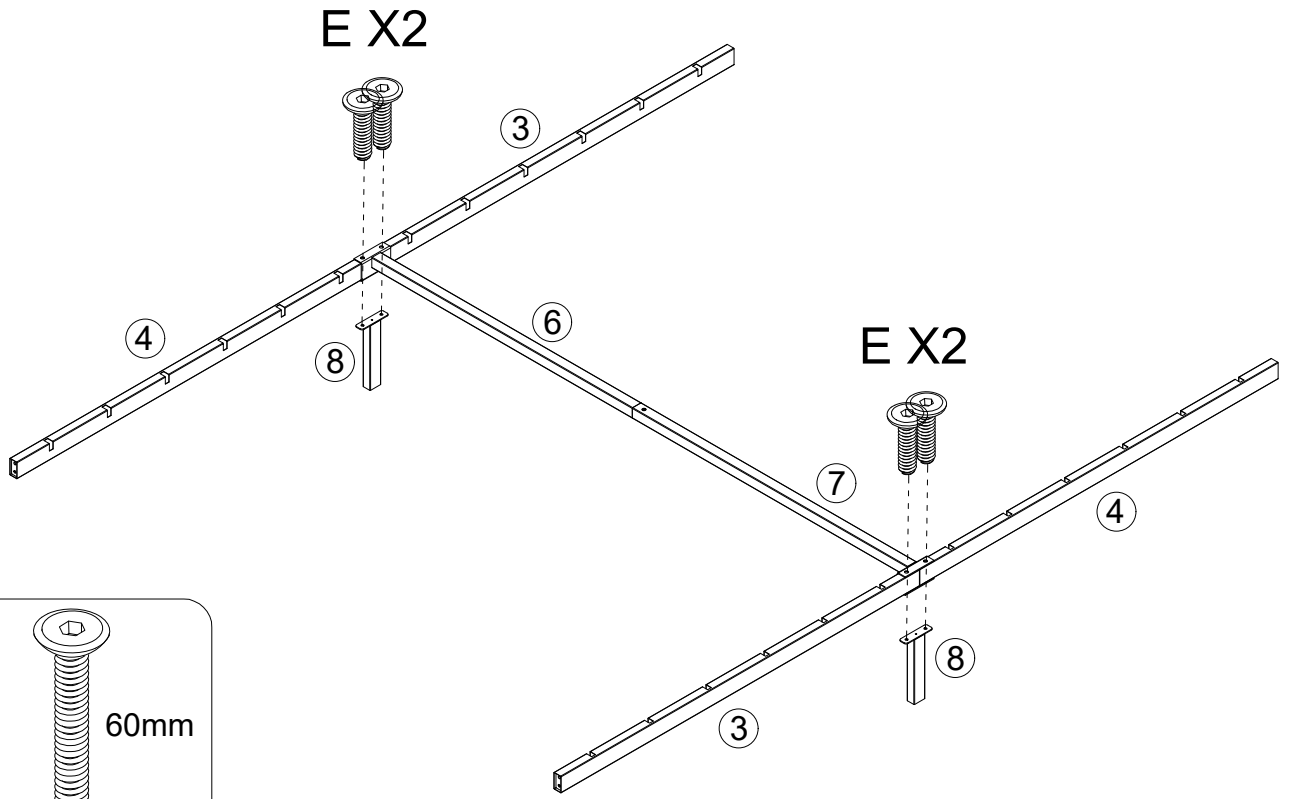


3

⚠ Ensure that parts 3 and 4 are inserted into each other, and then clip them into fasteners 6 and 7

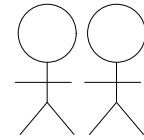


4

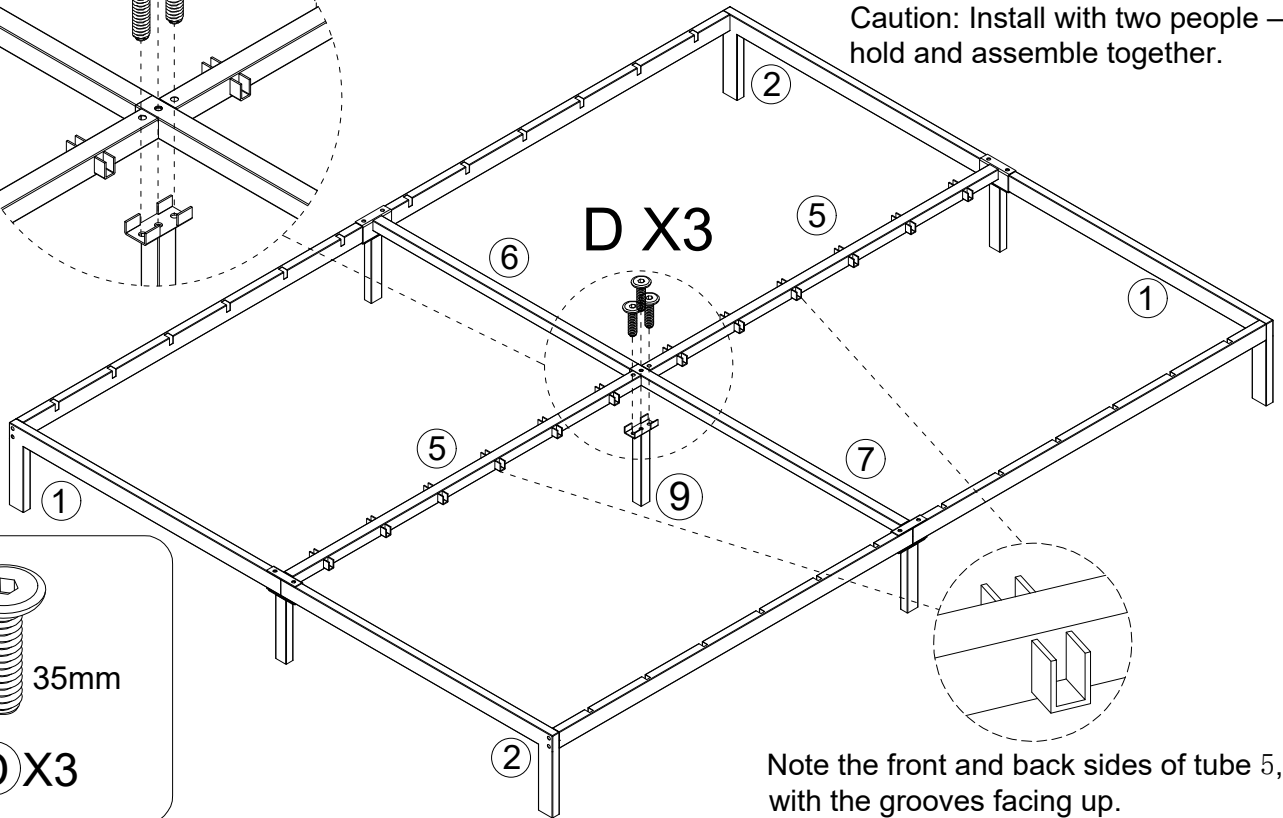
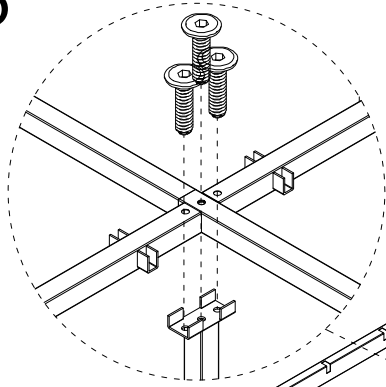


5

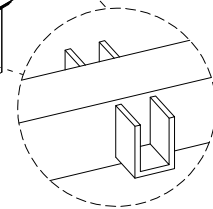
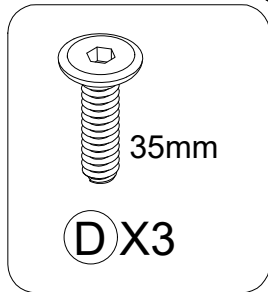
D X3



Caution: Install with two people – hold and assemble together.



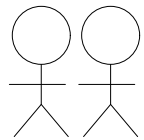
D X3



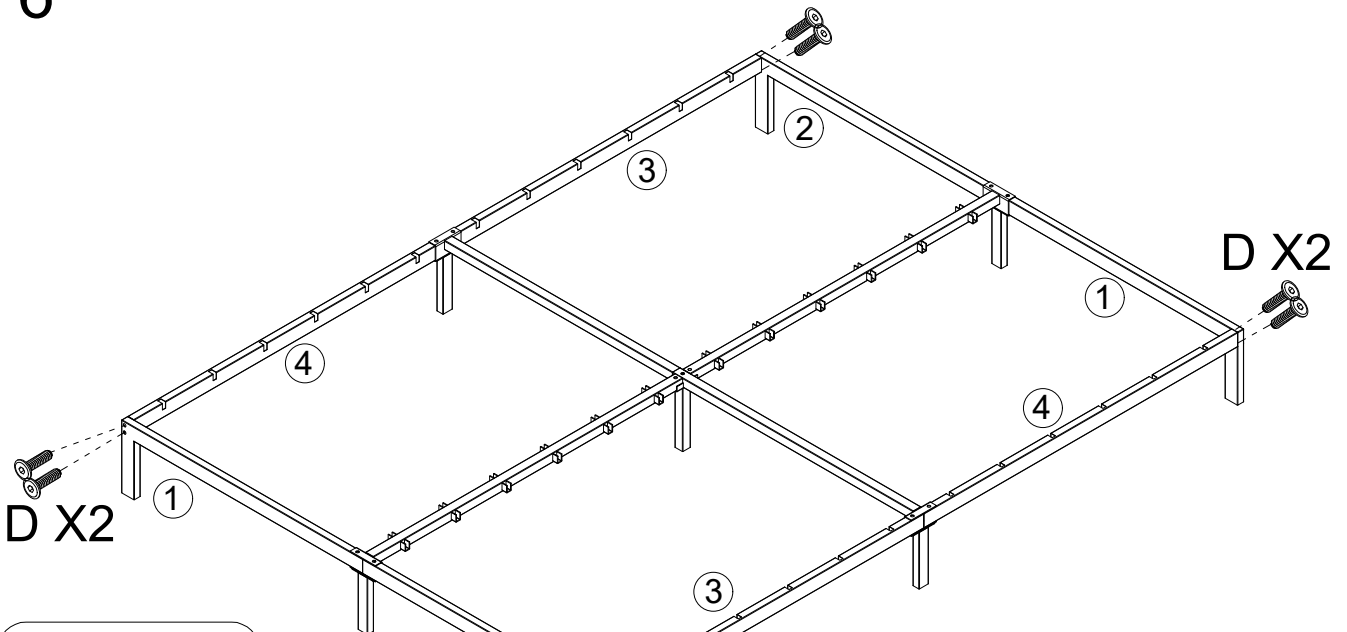
Note the front and back sides of tube 5, with the grooves facing up.

6

D X2



Caution: Install with two people – hold and assemble together.



D X2

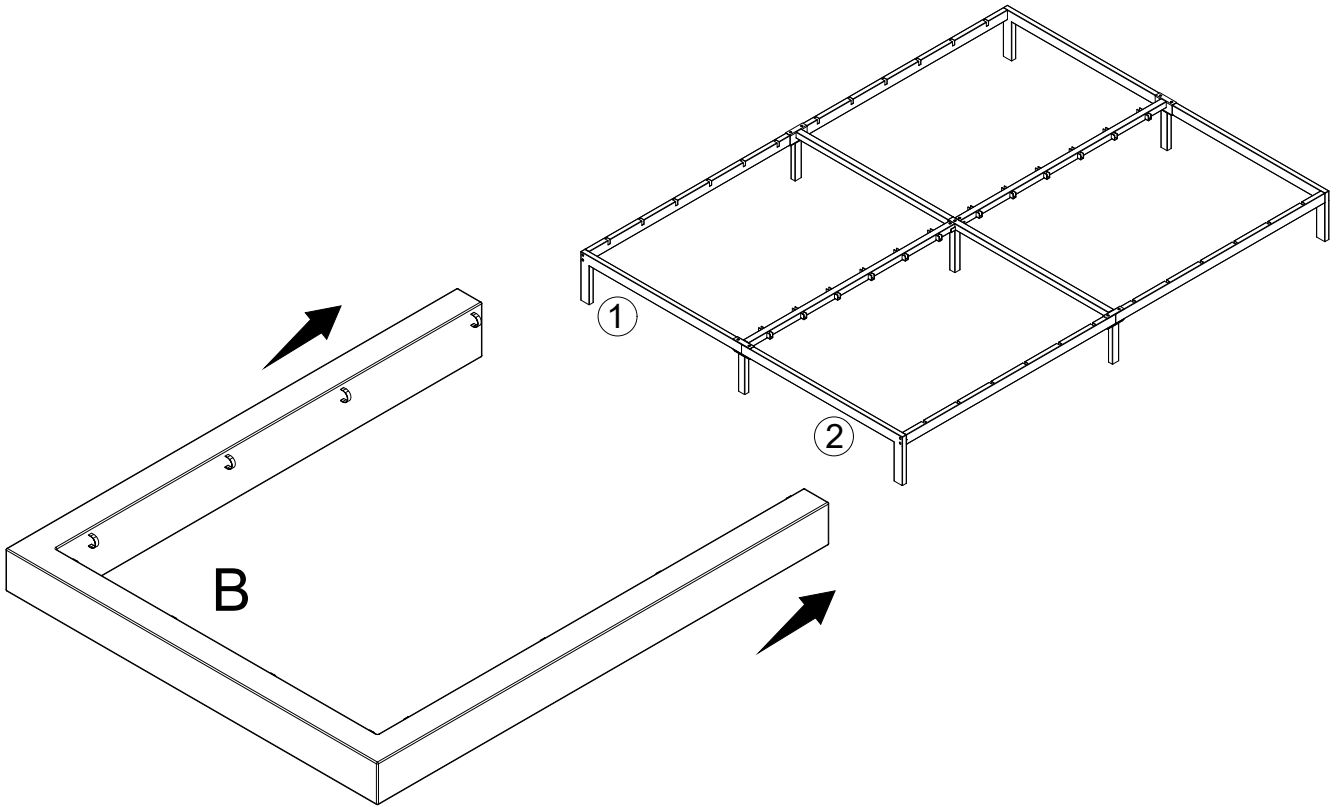
D X2



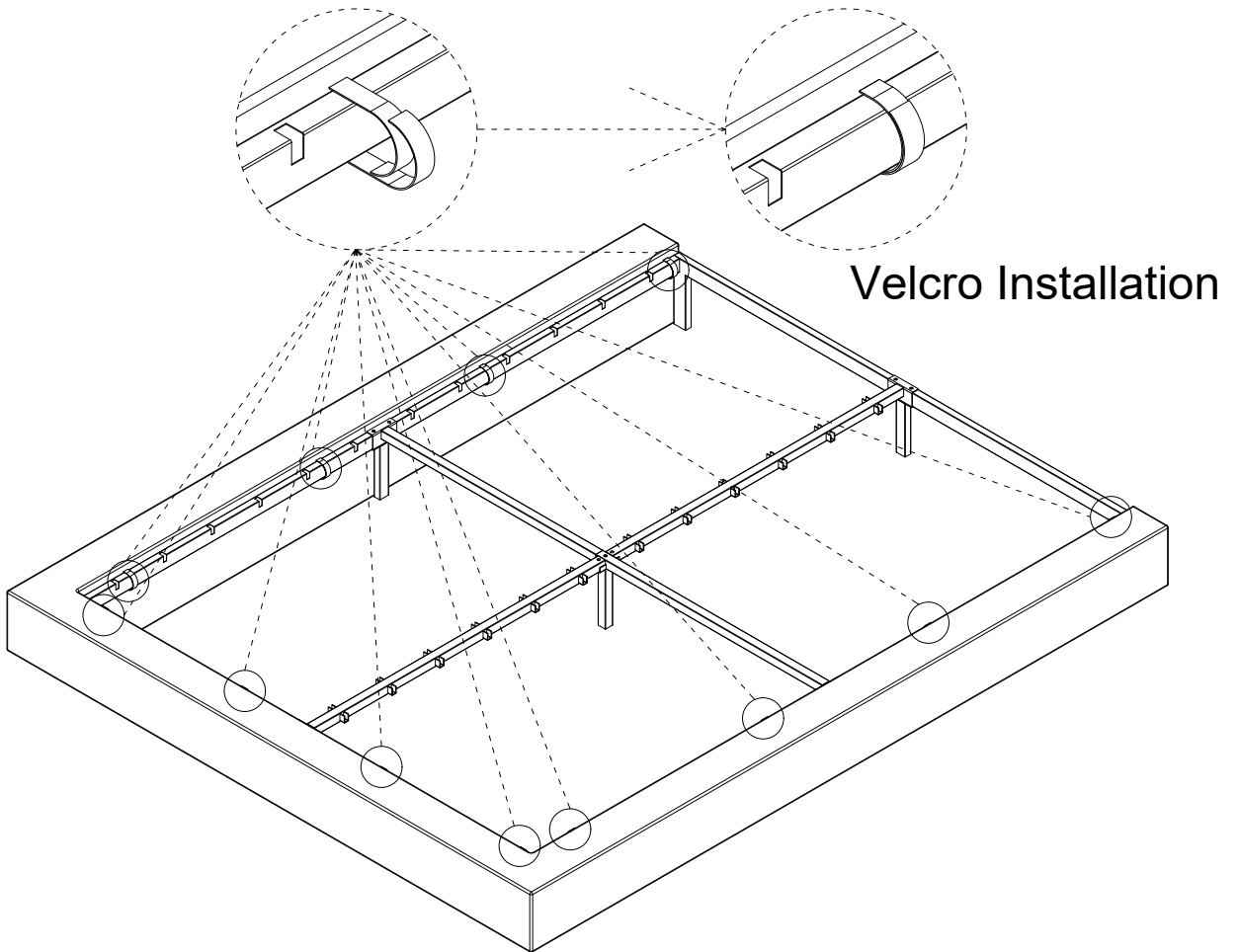
D X2

7

Unfold Part B, then install to the bed frame

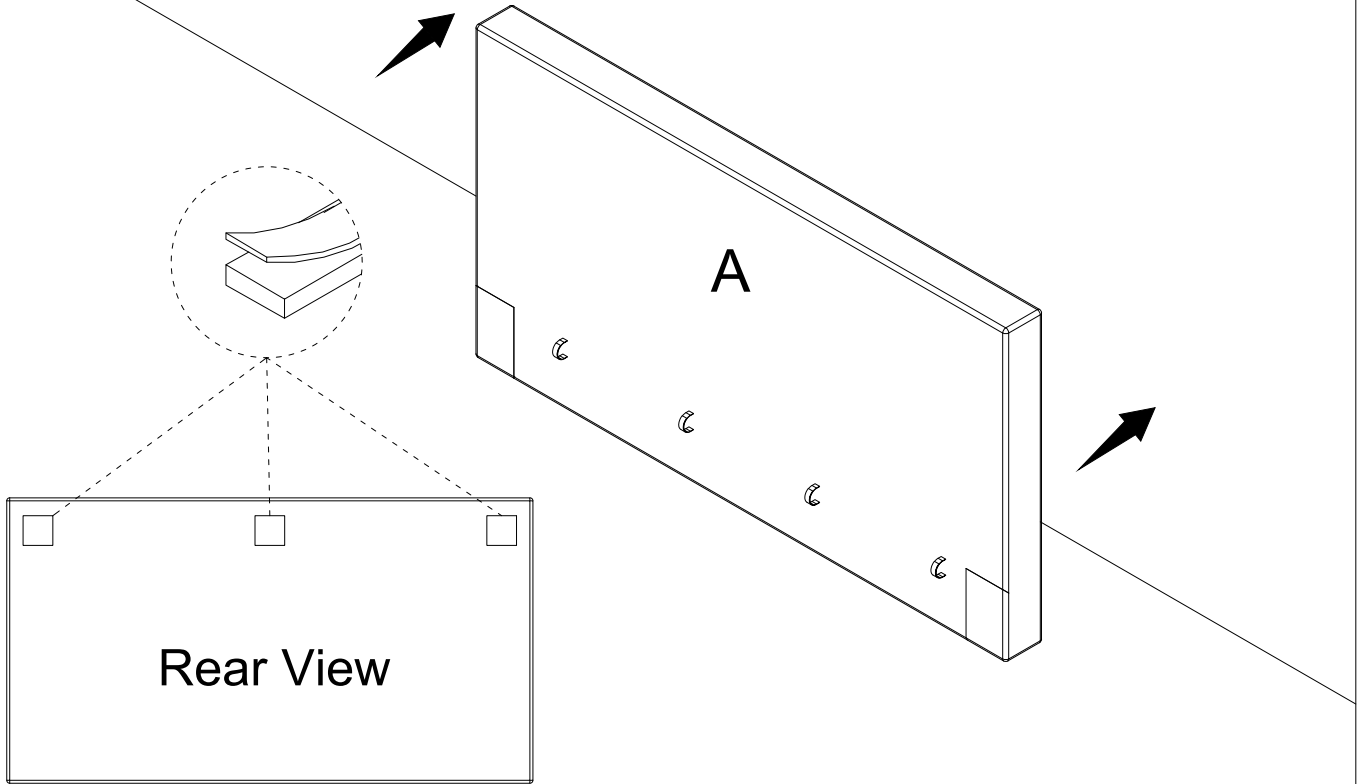


8



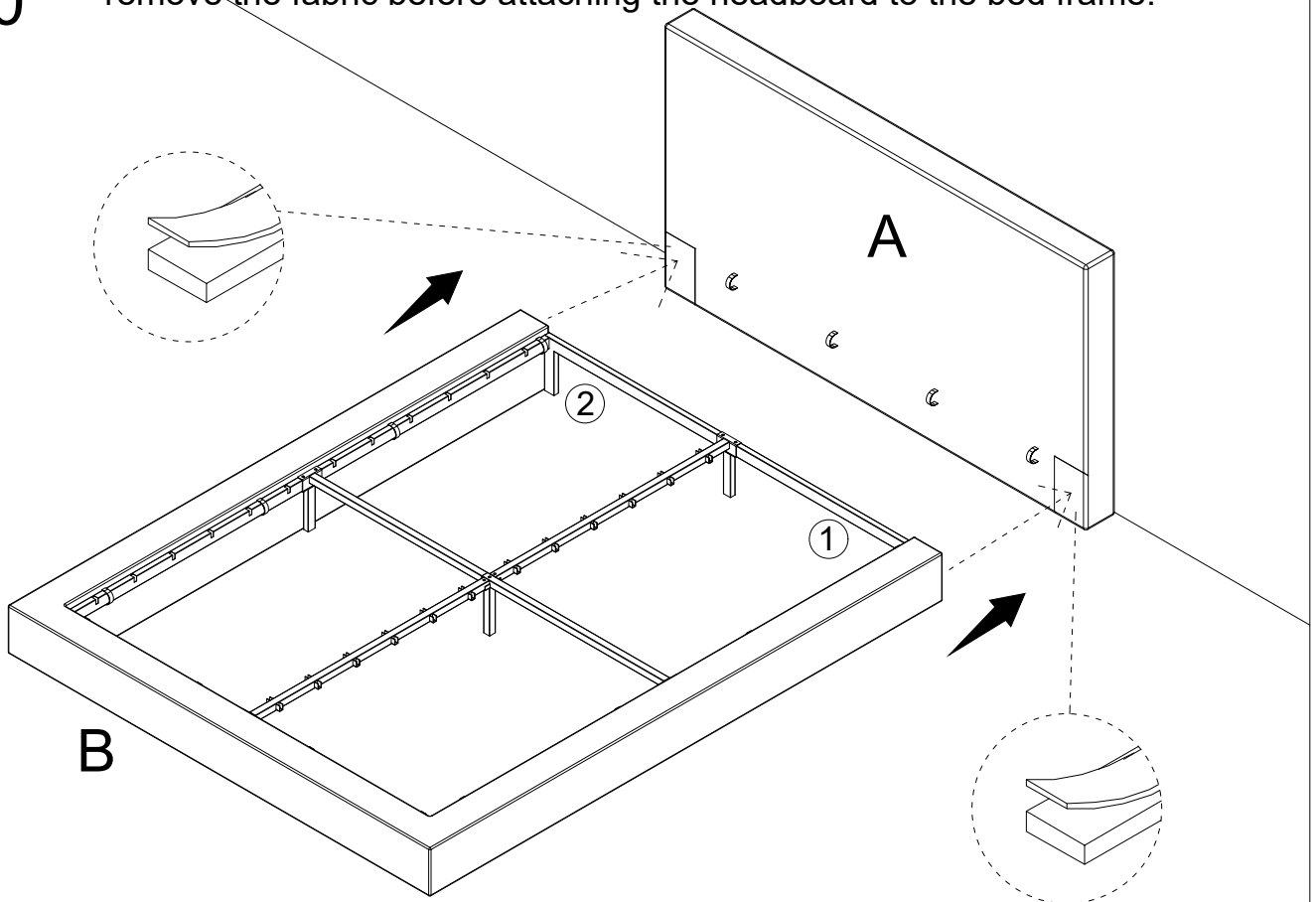
9

Locate a suitable position to install the headboard. When installing the headboard, peel off the three stickers on the top of its back and stick them onto the wall. (Note: Ensure the wall surface is clean and tidy to prevent poor adhesion.)



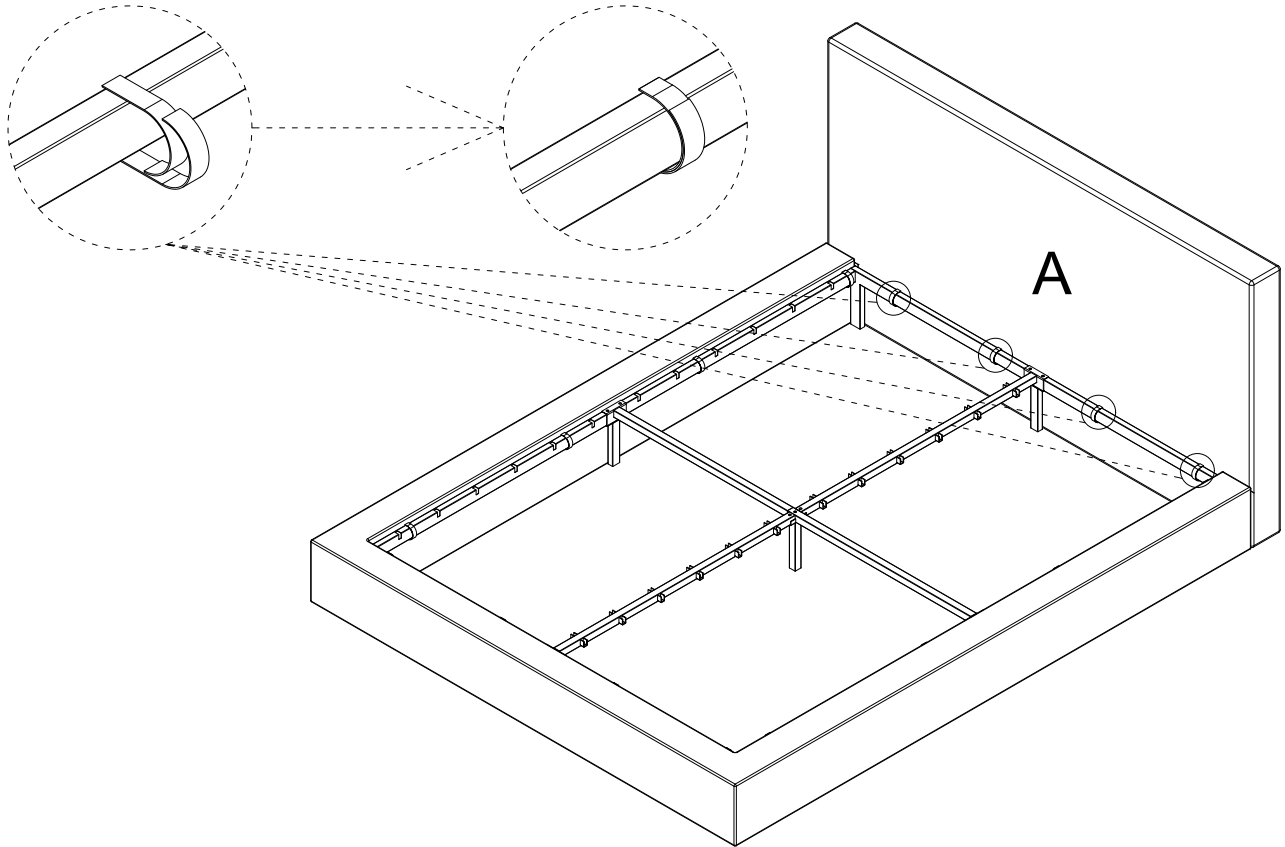
10

Note that the Velcro on the headboard is covered with a protective fabric; remove the fabric before attaching the headboard to the bed frame.



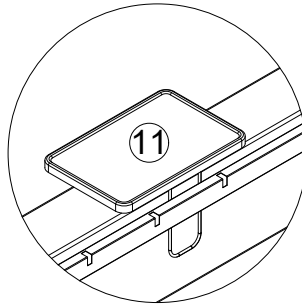
11

Velcro Installation

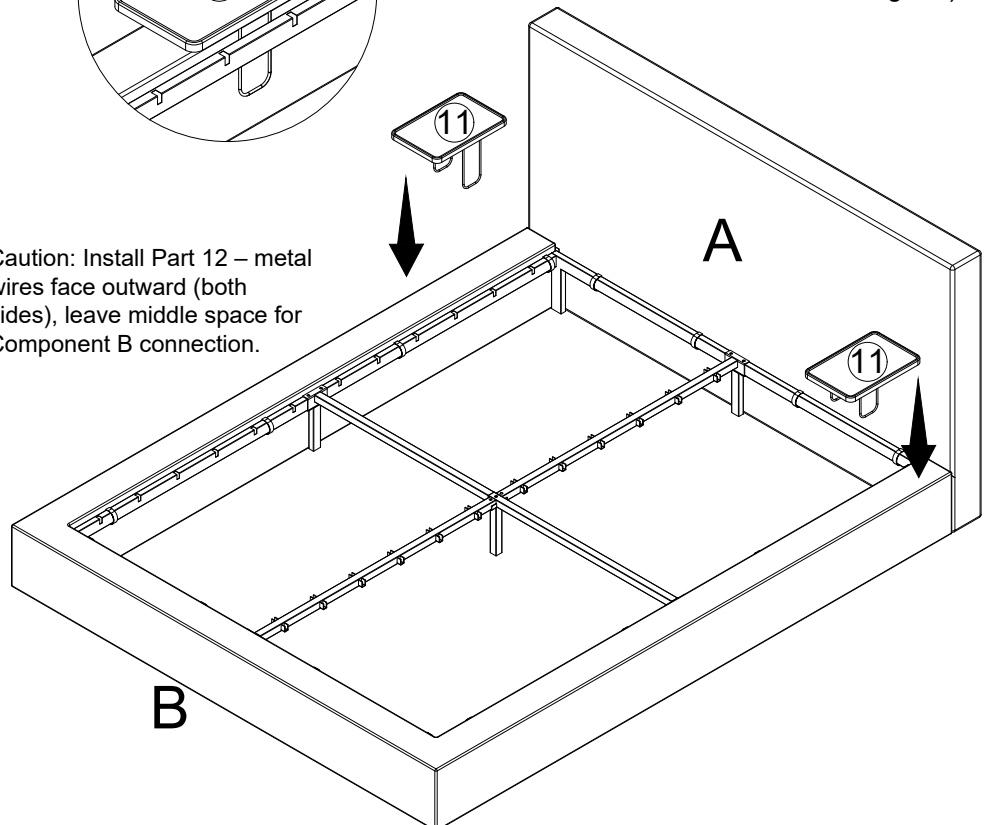
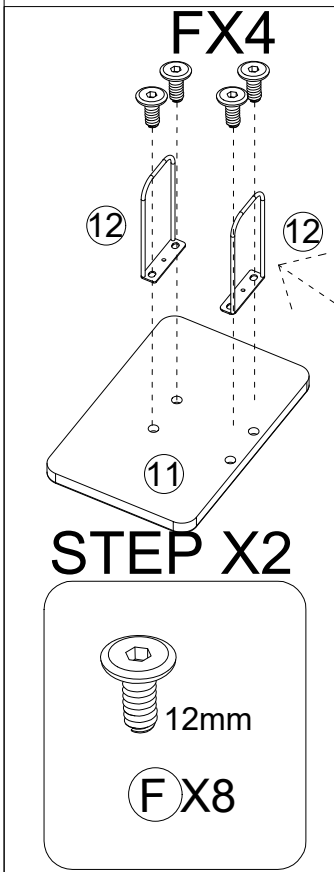


12

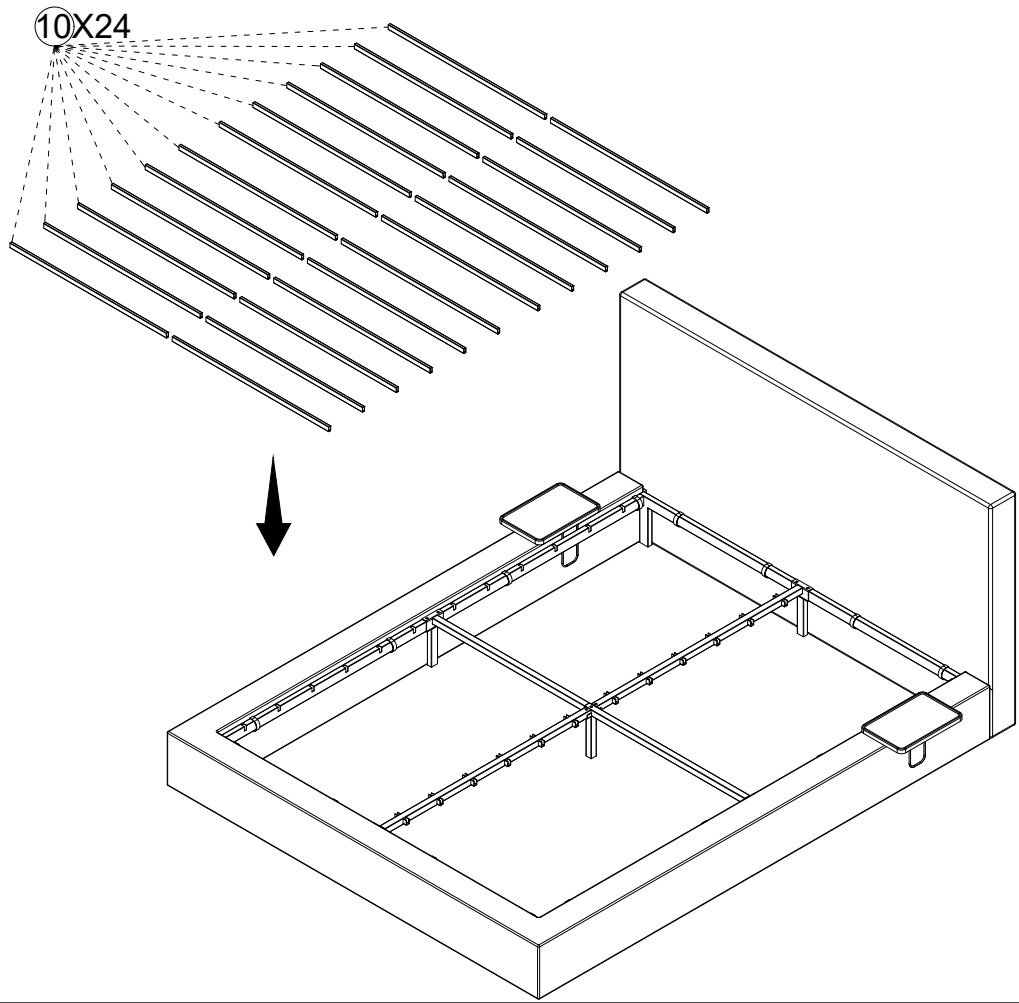
Note that the assembled Part 11 is only inserted into Component B and shall not be connected to the bed frame. (Note: After installation, the wooden boards on both sides shall face the outer side of the bed frame instead of the inner side, as shown in the figure.)



Caution: Install Part 12 – metal wires face outward (both sides), leave middle space for Component B connection.



13



14

Complete Assembly

