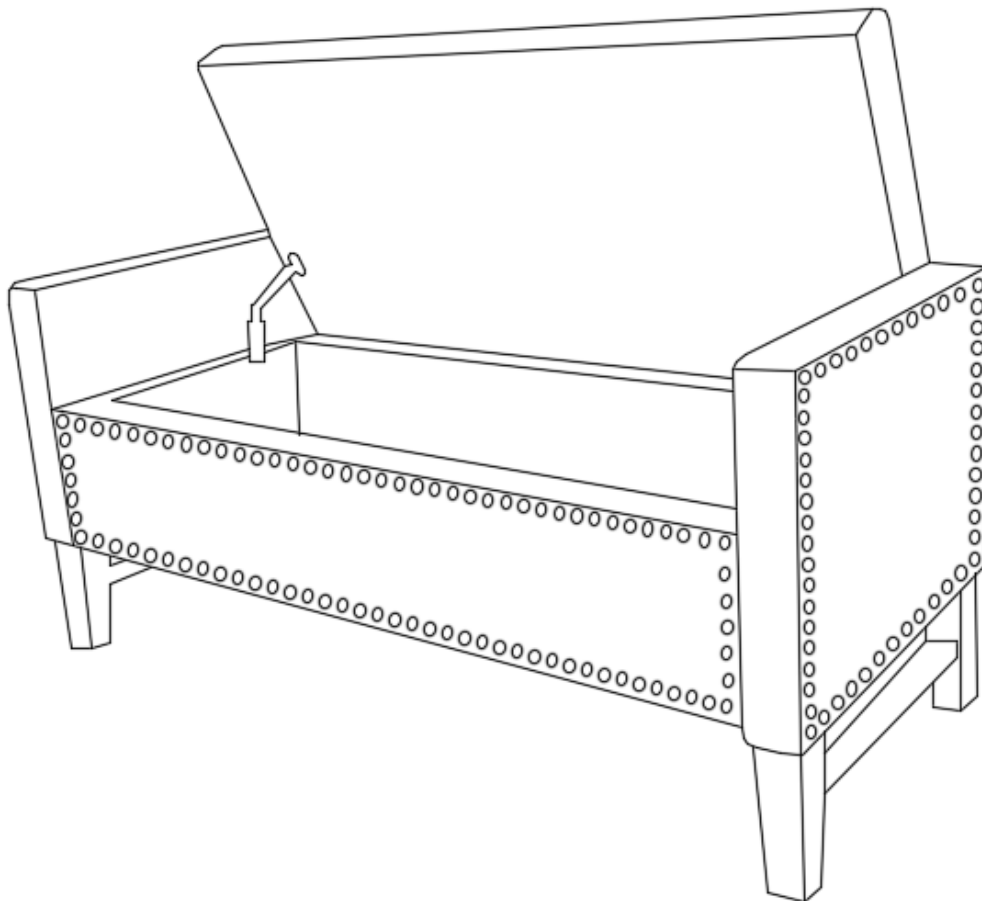


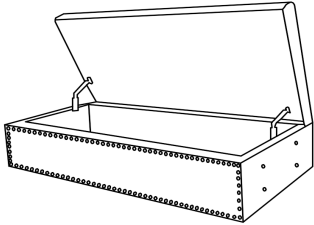
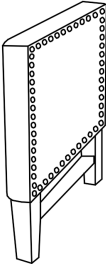
Assembly Instruction

Storage Bench




Caution : You must read this before you proceed.



Parts List

Label	Picture	Description	Qty
A		Bench Seat	1
B		Leg	2

Hardware

Label	Picture	Description	Qty
C		Bolt Dia.M8X40mm (L)	8
D		Allen Key	1
E		Washer	8

Assembly Preparation

Before Beginning Assembly:



- Read instructions, cover to cover-



- Have 2 adults on hand for assembly-



- Do not assemble on flooring or carpet-



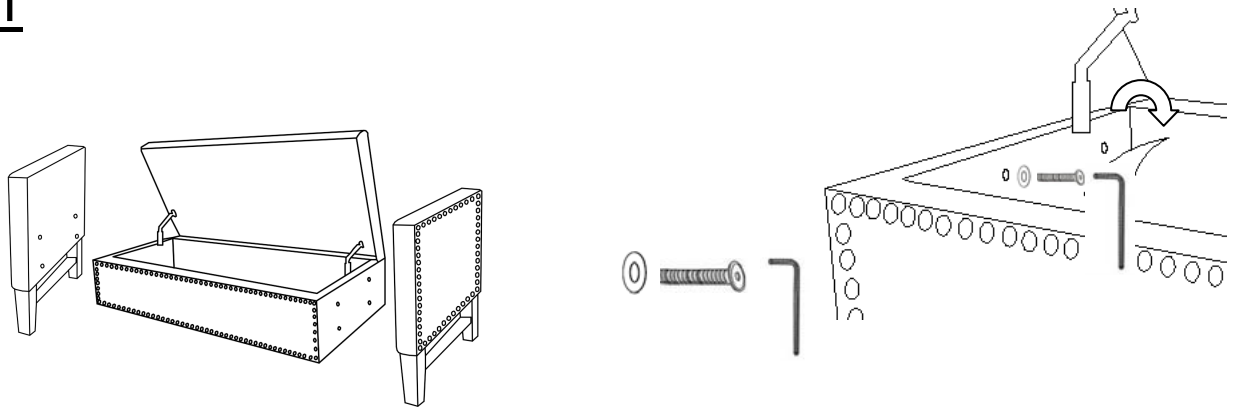
- Assemble on a clean non-marring surface (packing foam)-



- Save all packaging until finished-

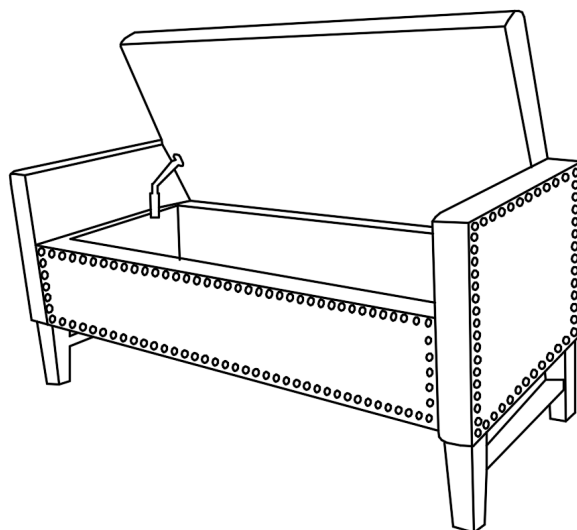
Assembly Steps

Step 1











Open the black fabric inside of bench side and use Bolt / Allen Key to fix the legs .
Paste back the black fabric


Step2



Tighten all the bolts ,and complete assembly .

Care & Maintenance

-  Do not put hot items directly on furniture surface.
-  Do not clean furniture with harsh cleansers or polish.
-  Do not place furniture under direct sunlight.
-  Do not place furniture near heating or cooling vents.
-  Do not write on furniture without a padded barrier to protect the surface.
-  Do not place furniture outside. For indoor use only.
-  Not for commercial use. For residential use only.
-  Stains may be removed with mild soap solution and damp cloth.

-
-  Dust and pick-up spills using a clean, non-colored, lint-free cloth.