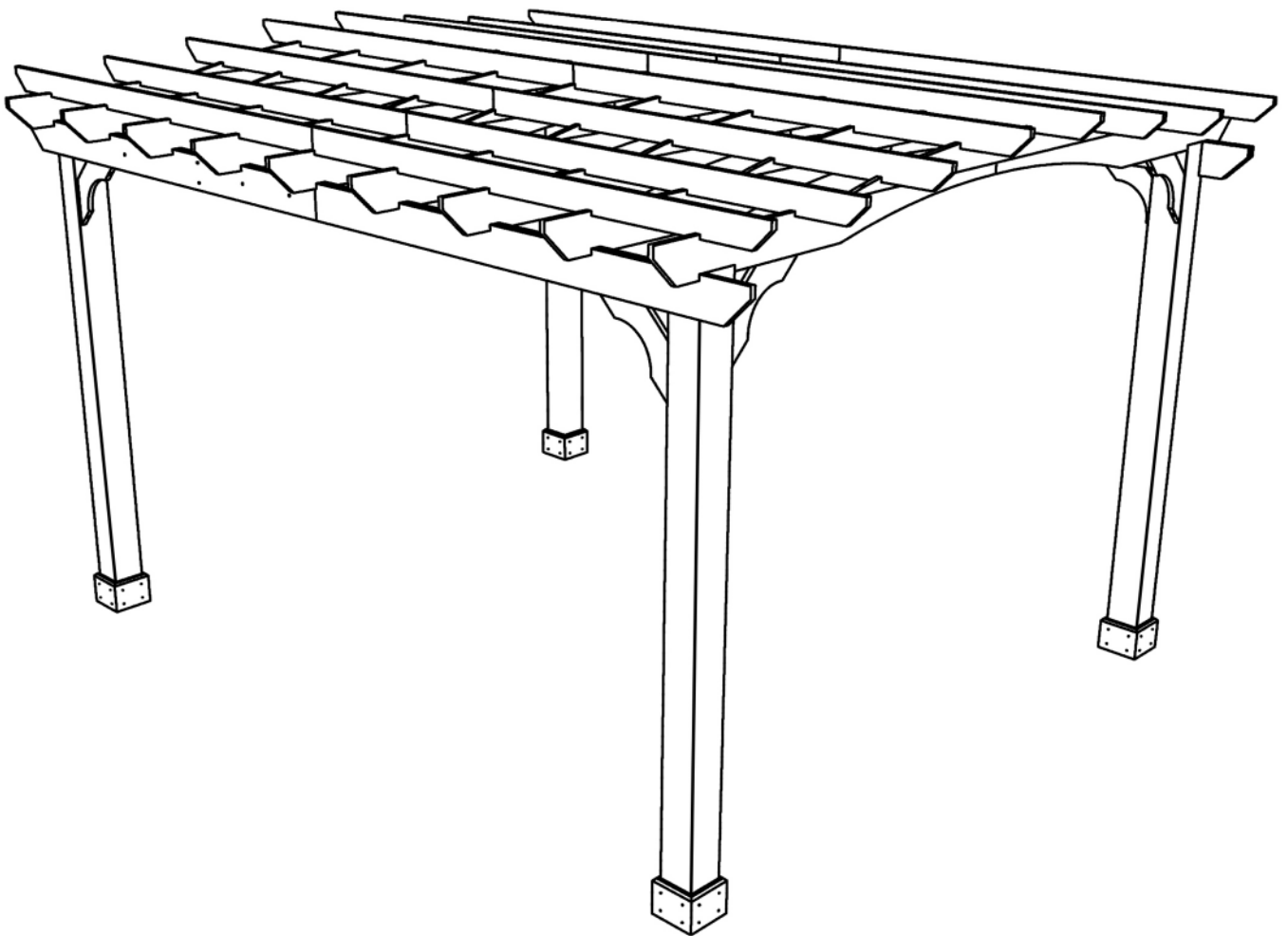




Wood Pergola



Instruction Manual

If you have any problem.
E-mail us at customerservice@veikous.com.

Care And Warning

Do not use this product in extreme weather.

It will cause product damaged directly or shorten product service time drastically in extreme weather.

Bolts can loosen over time. Be sure to check bolts occasionally, tightening at least twice a year.

Check all screws for tightness before and during usage of the unit.

Minimum of 2 people is required for a safe assembly of the product.



1. Two or more people are required for assembly.



2. You will need one or more stepladders.



3. Wearing protective gloves is recommended.



4. You may need a safety hat.



5. Use the hex keys in the box.



6. Please use a Phillips screwdriver.














7. Do not fully tighten screws prior to complete assembly.



8. For ease of construction, you may need to use a drill.

Parts Identification

Hardware

	20mm	Ⓜ x16
	50mm	Ⓜ x140
	70mm	Ⓜ x16
	90mm	Ⓜ x36
	100mm	Ⓜ x64
	120mm	Ⓜ x22
		Ⓜ x52
		Ⓜ x16
		Ⓜ x8
		Ⓜ x8
		Ⓜ x16



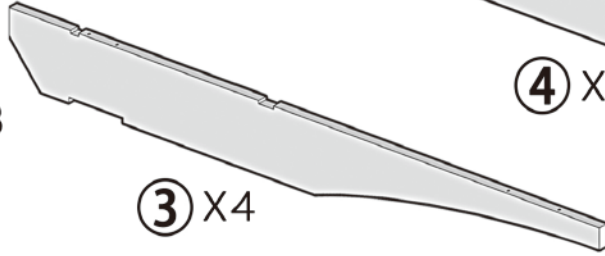
⑬ X4



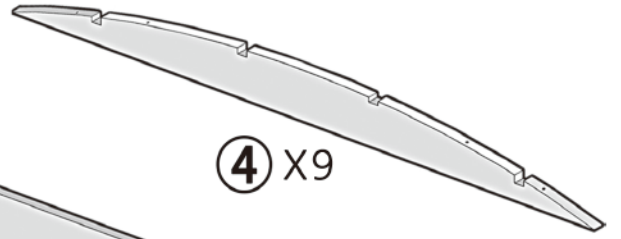
⑧ X8



⑩ X8



③ X4



④ X9



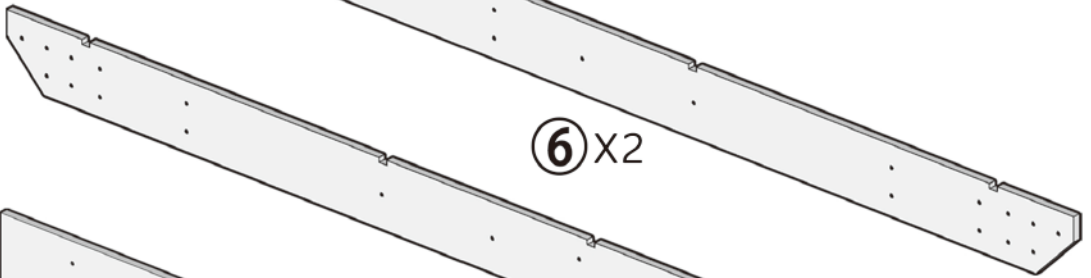
① X4



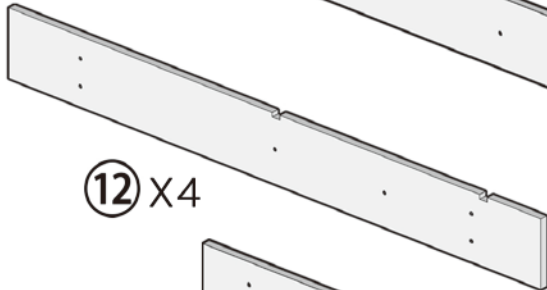
⑨ X8



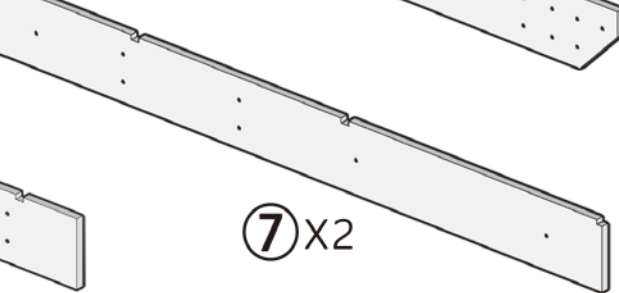
⑤ X14



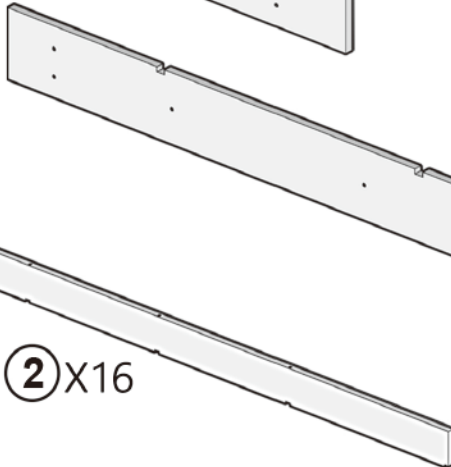
⑥ X2



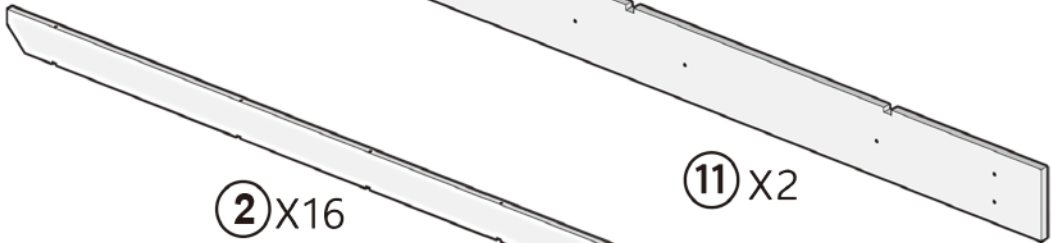
⑫ X4



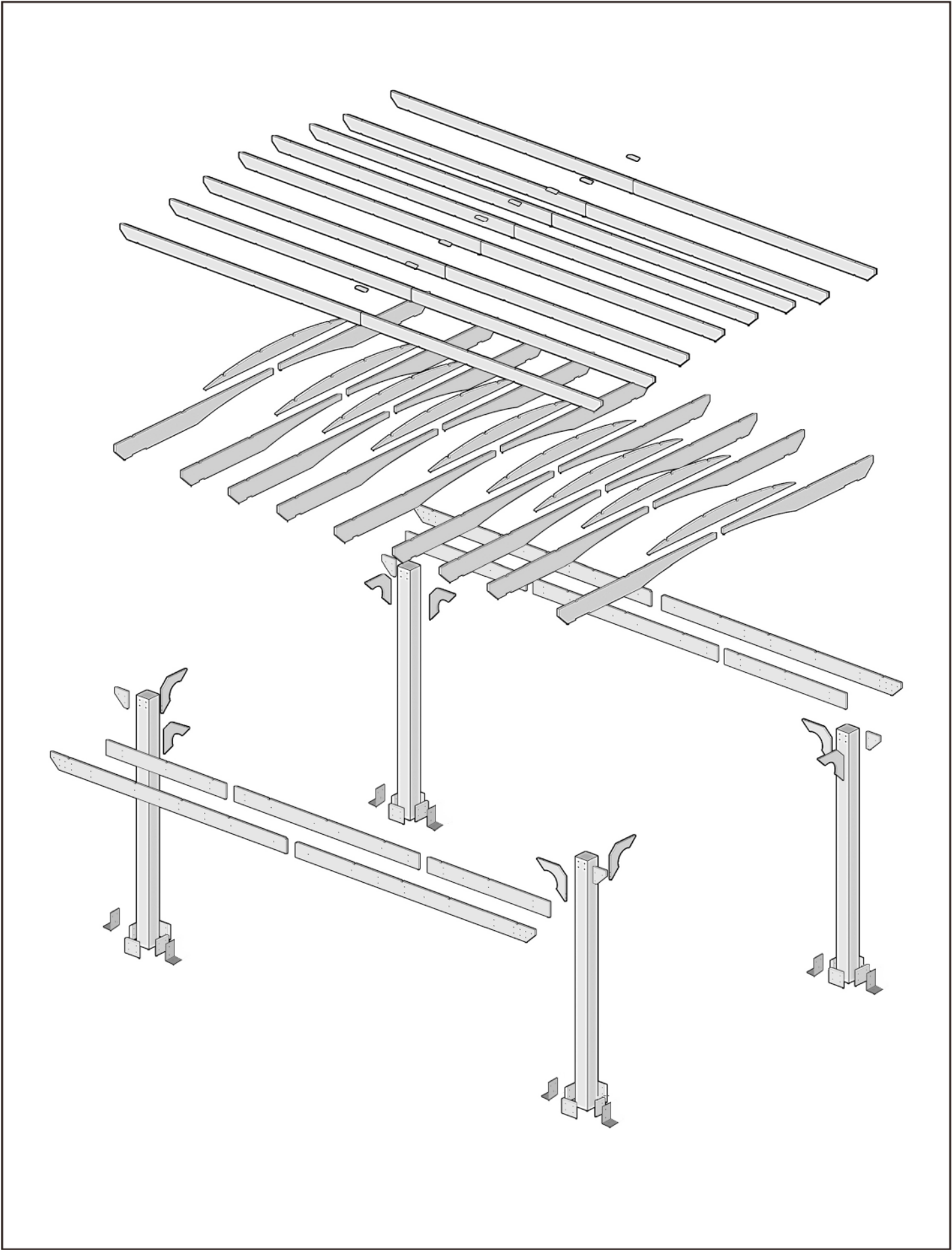
⑦ X2



② X16

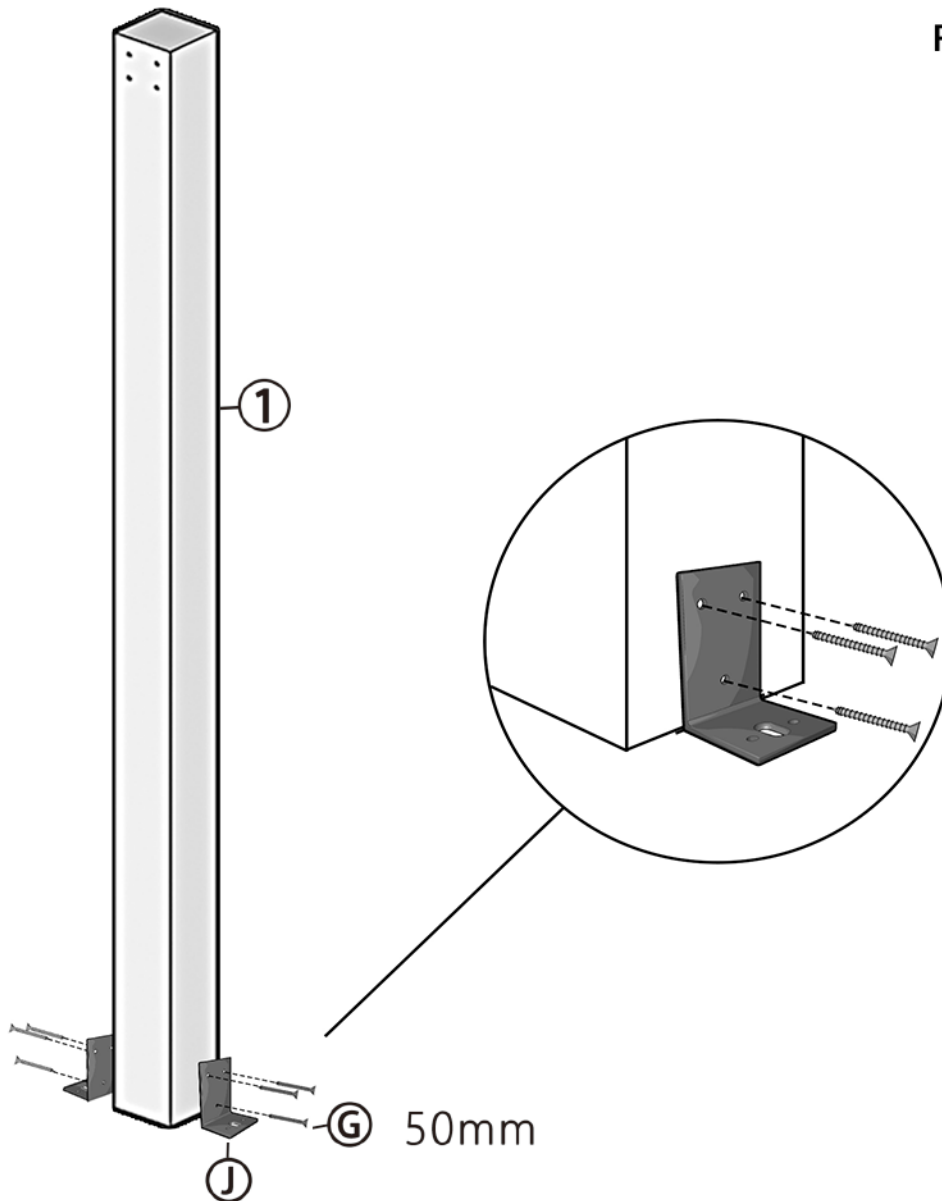


⑪ X2



STEP1-1

REPEAT **4** TIMES



Place an L Bracket(J) on the bottom of the Post(1). Notice the top and bottom of the Post are different. Make the L Bracket(J) flush at the bottom and fasten to Post with three Screws(G) through pre-drilled holes in the Bracket. Turn the post around. Install the second bracket on the post as shown. (Two L Brackets per Post.)



1 x4



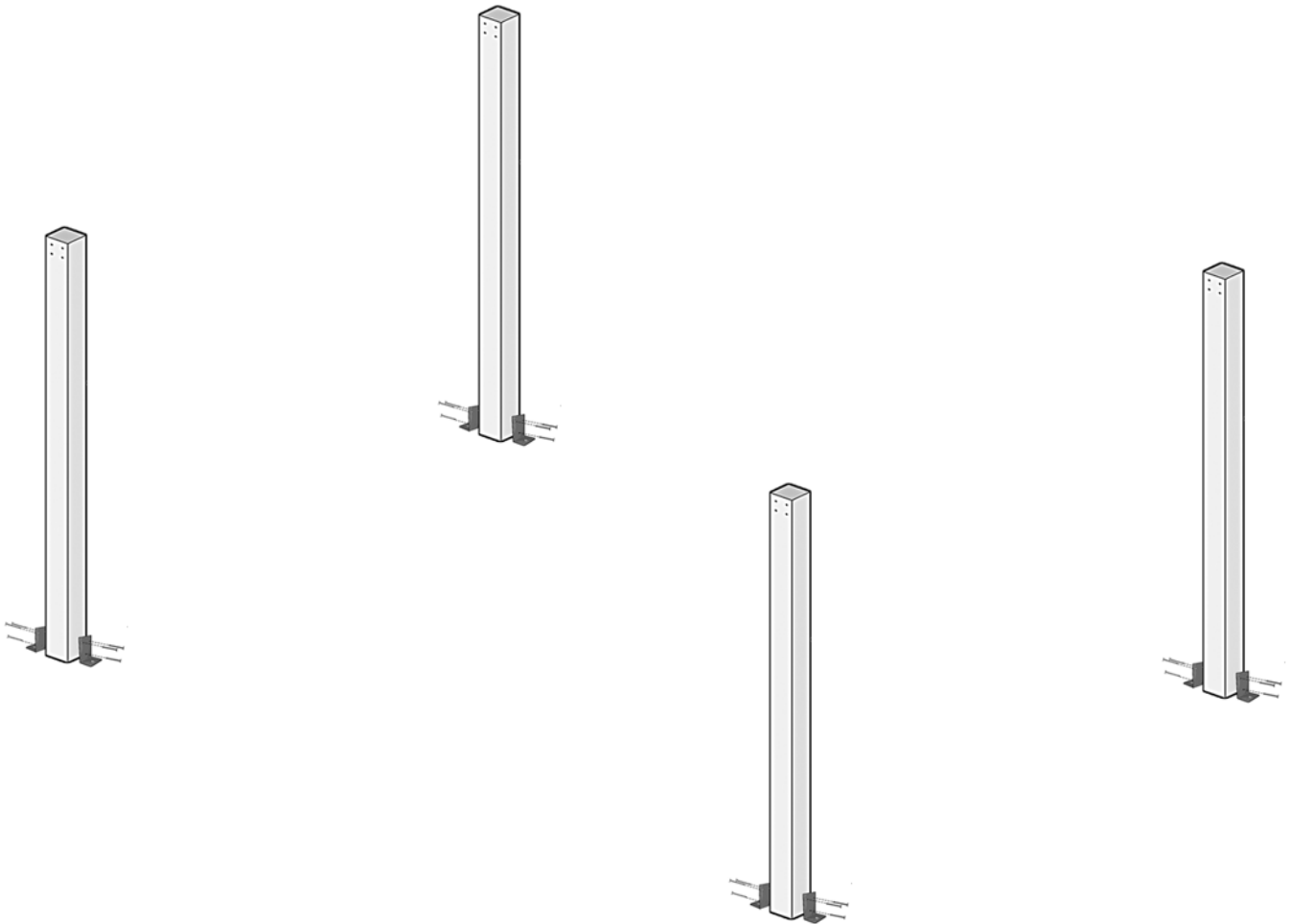
J x8



G x24

STEP 1-2

REPEAT 4 TIMES



Install the rest six Brackets(J) on the other three Posts(1) as shown.
Totally four Posts(1), eight L Brackets(J) and 24 Screws(G).



① x4



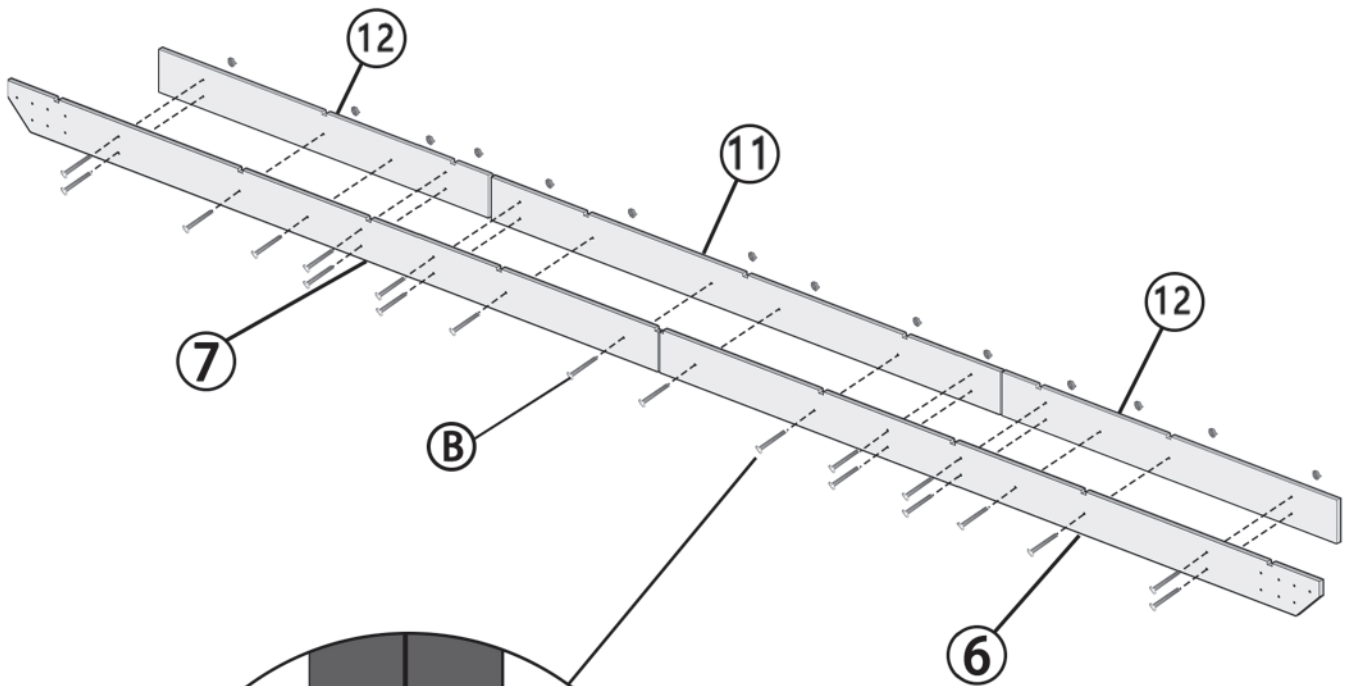
① J x8



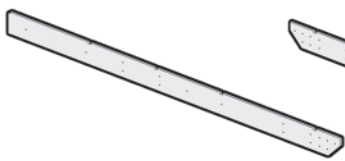
① G x24

STEP 2

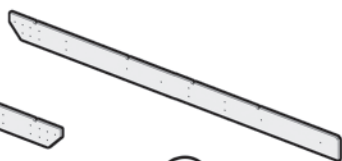
REPEAT 2 TIMES



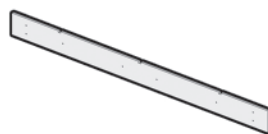
Connect the two Long Header Boards(⑥&⑦) and three short Header Boards(one⑪and two⑫) together with twenty Screws(B) as shown.



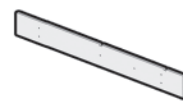
⑥ x2



⑦ x2



⑪ x2

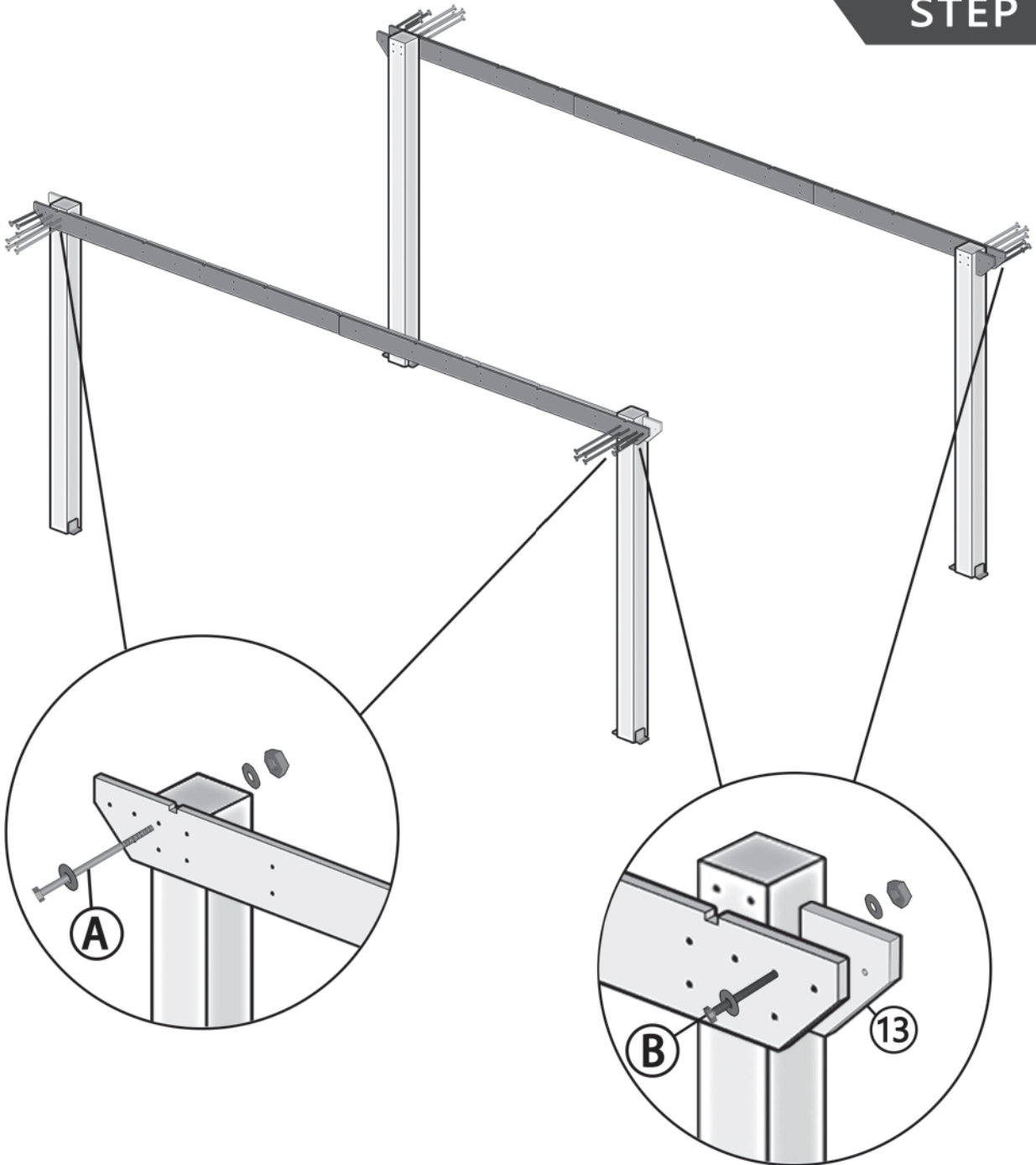


⑫ x4



Ⓑ x40

STEP 3



Keeping the Header Assembled at a 90° angle, push in against the Post.
Fasten to Post with sixteen Screws A and twelve Screws B through all pre-drilled holes.
(Four Screws A and three Screws B per Post.)



B x12



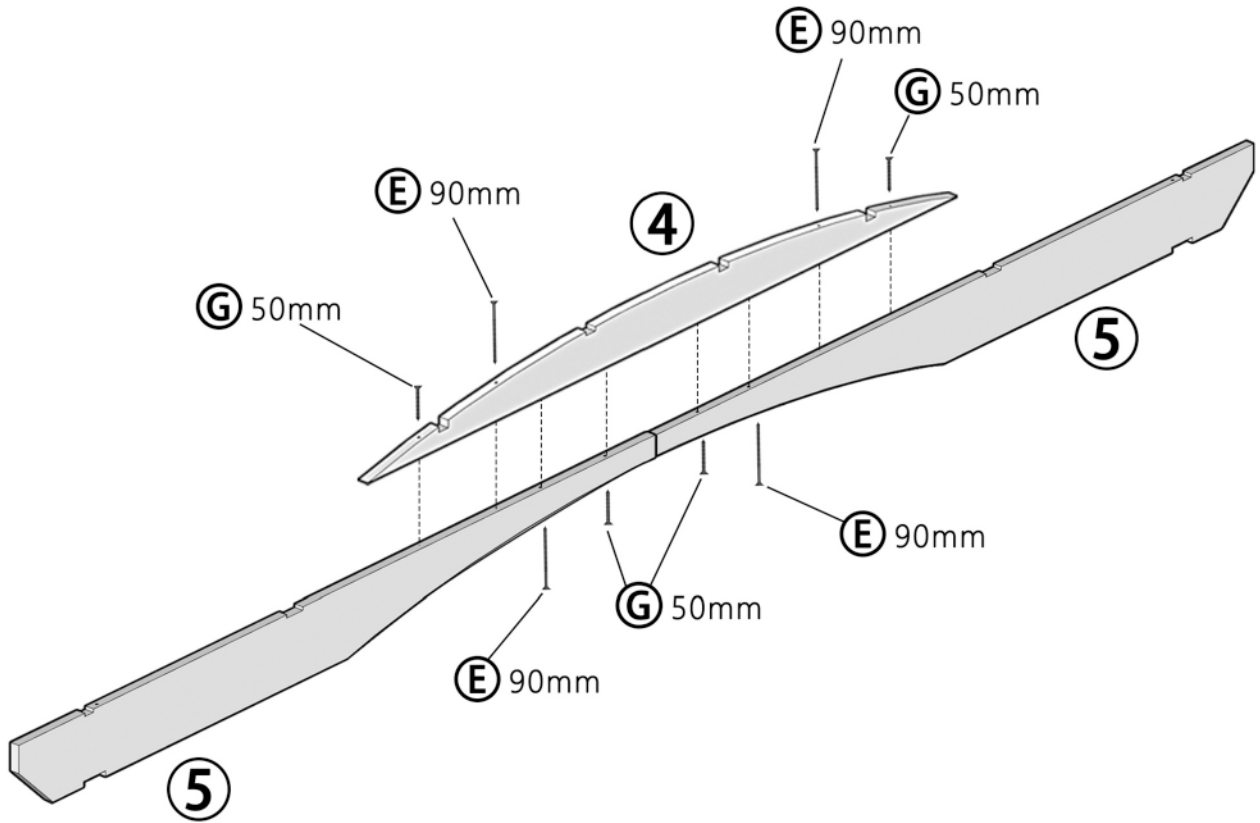
A x16



13 x4

STEP 4-1

REPEAT 7 TIMES



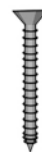
Fasten the Top Rafter Board(④) to the two Bottom Rafter Boards(⑤) with four Screws G and four Screws E. Then install the rest rafter Boards. Finally you will get seven Inside Rafters Assembled.



⑤ x14



④ x7



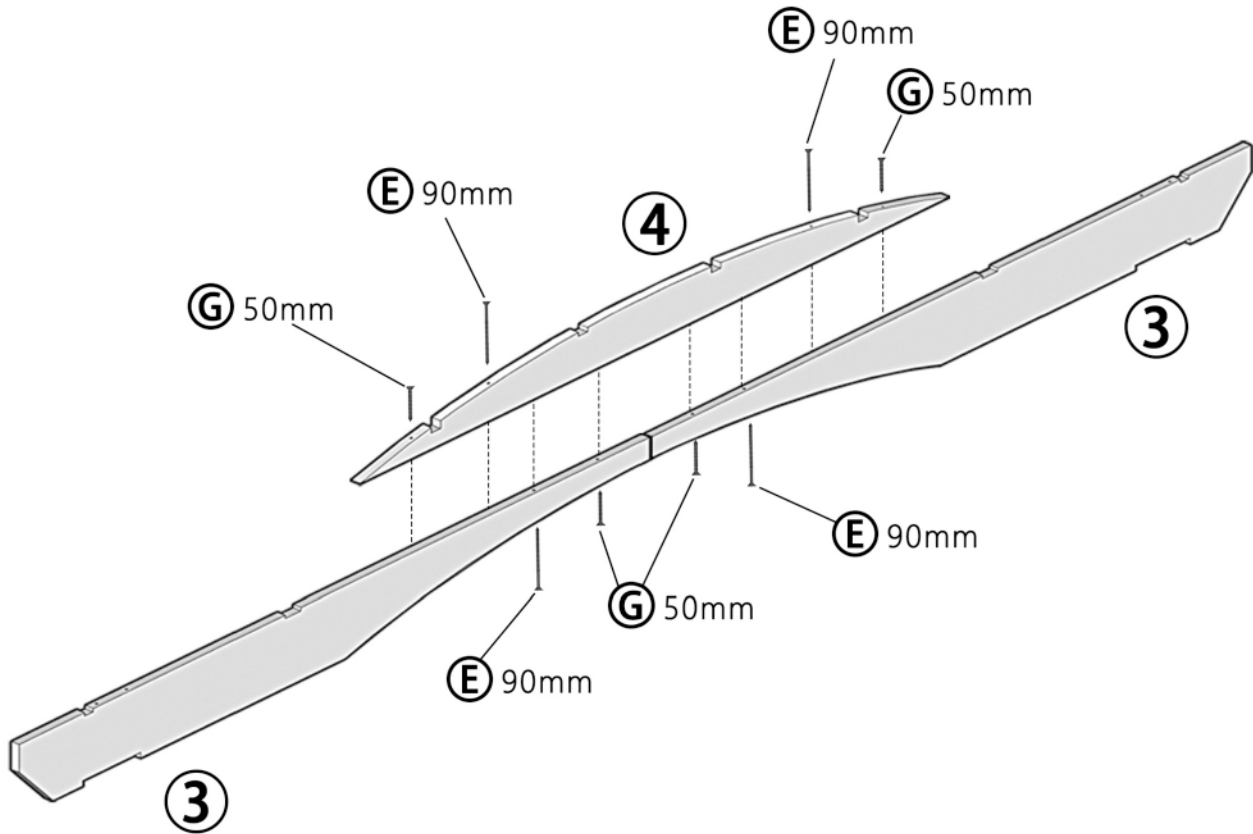
ⓐ x28



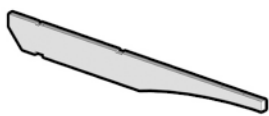
ⓔ x28

STEP 4-2

REPEAT 2 TIMES



Next, fasten the Top Rafter Board (4) to the two Bottom Rafter Boards (3) with four Screws G and four Screws E. (Totally two Outside Rafters Assembled)



③ x4



④ x2

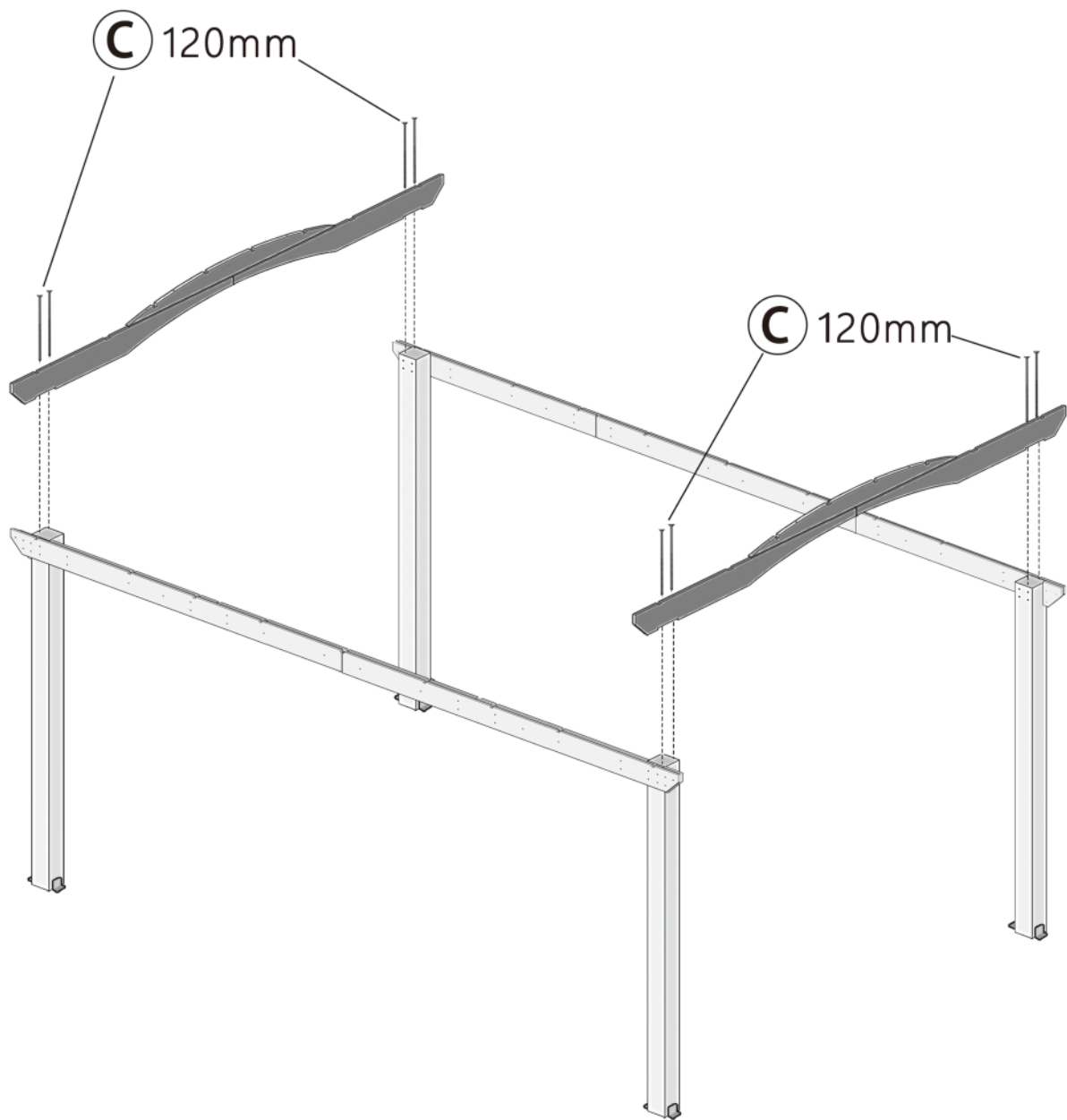


ⓐ x8



ⓔ x8

STEP 5

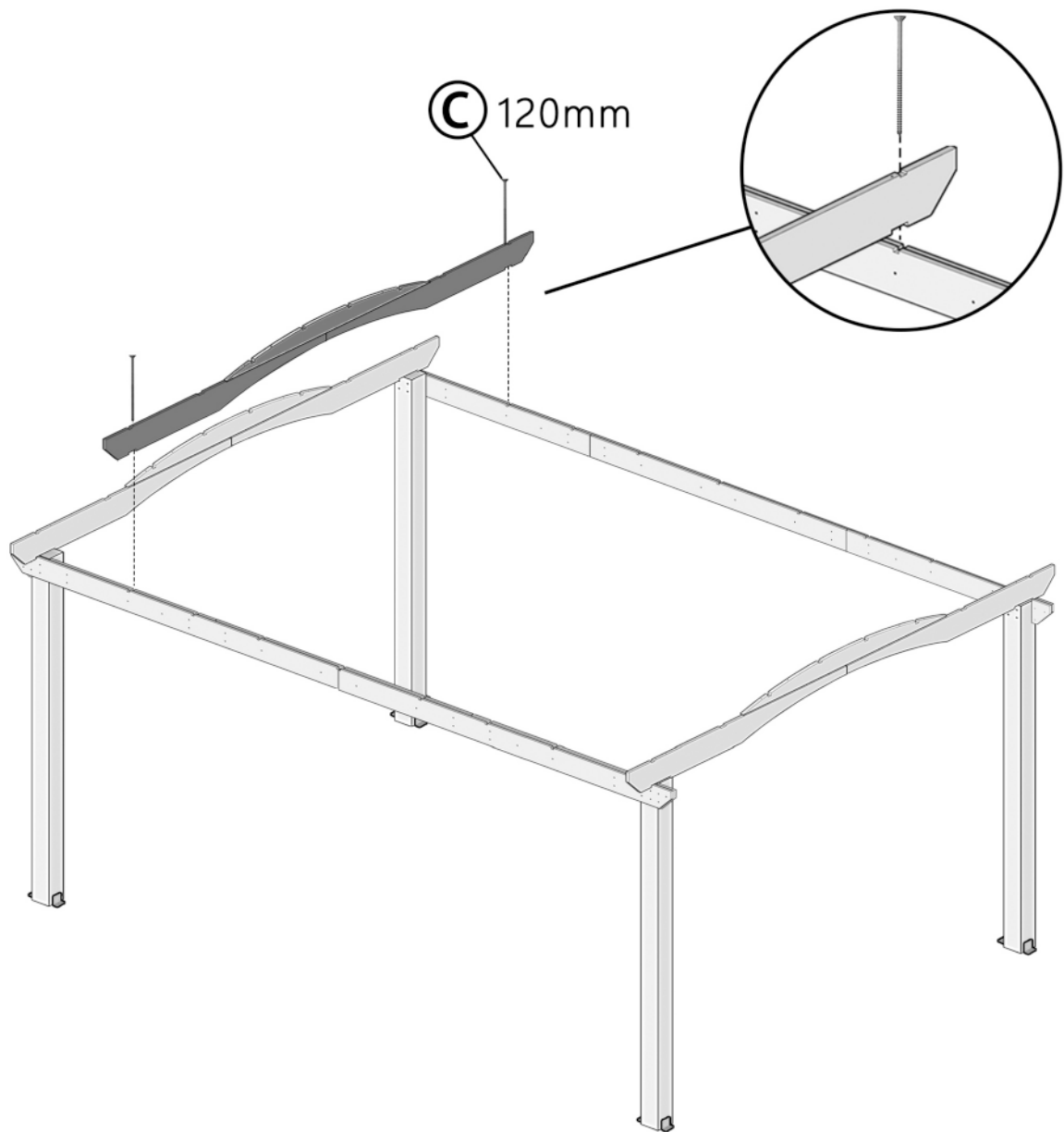


Lift the Two Outside Rafter onto the Headers. Place into the notch on the Headers. Place the Rafter so the mark on the Rafter is flush with the outside of the Header. Attach the Rafter to the Header, on both sides of the Rafter, with eight Screws(C) through pre-drilled holes.
(Two Screws on each side of the Rafter)



Ⓒ x8

STEP 6-1

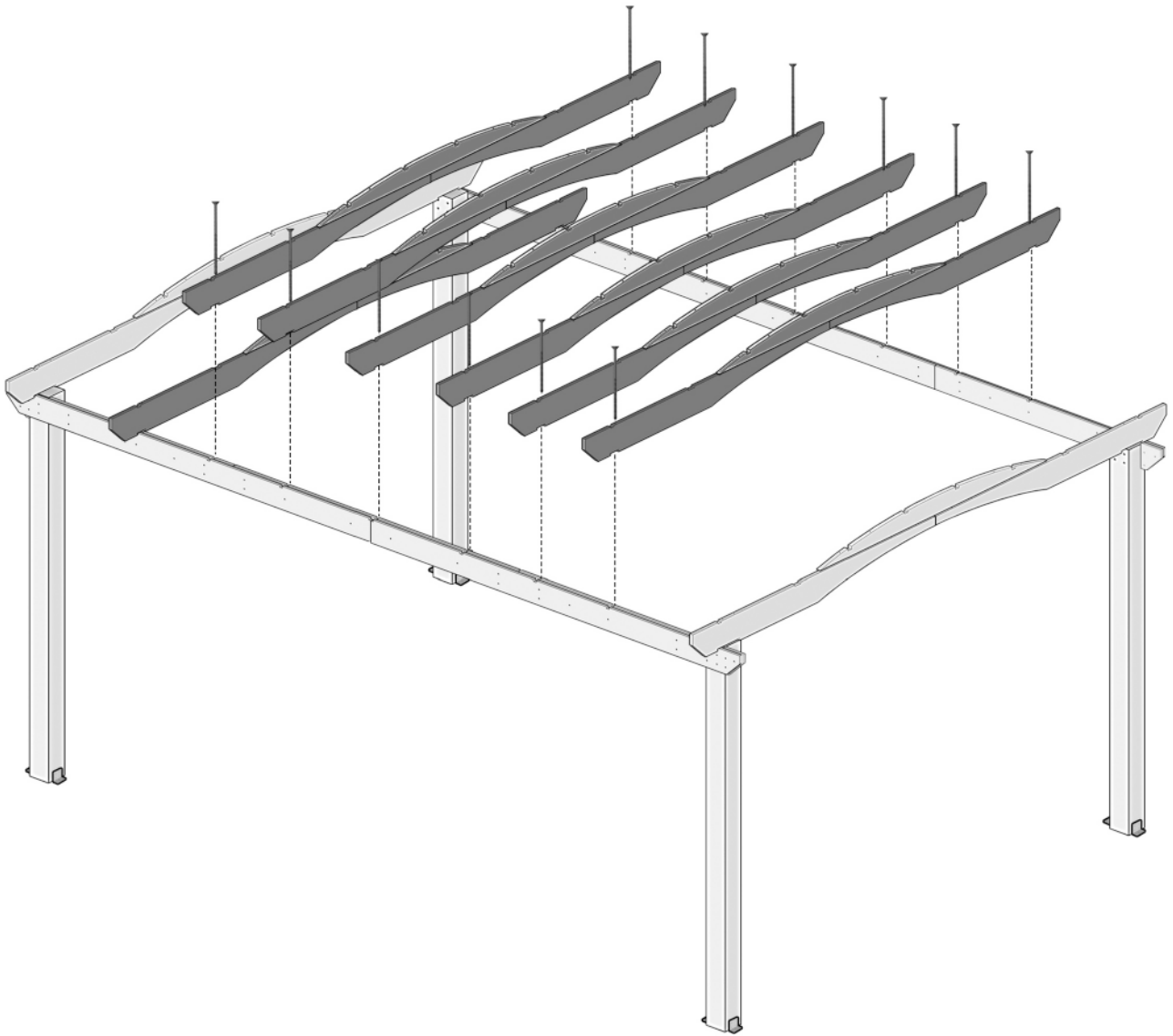


Now install the Inside Rafter, lift it onto the Headers. Attach the Rafter to the Header with two Screws(C) through pre-drilled holes. (One Screw on each side of the Rafter)



C x14

STEP 6-2

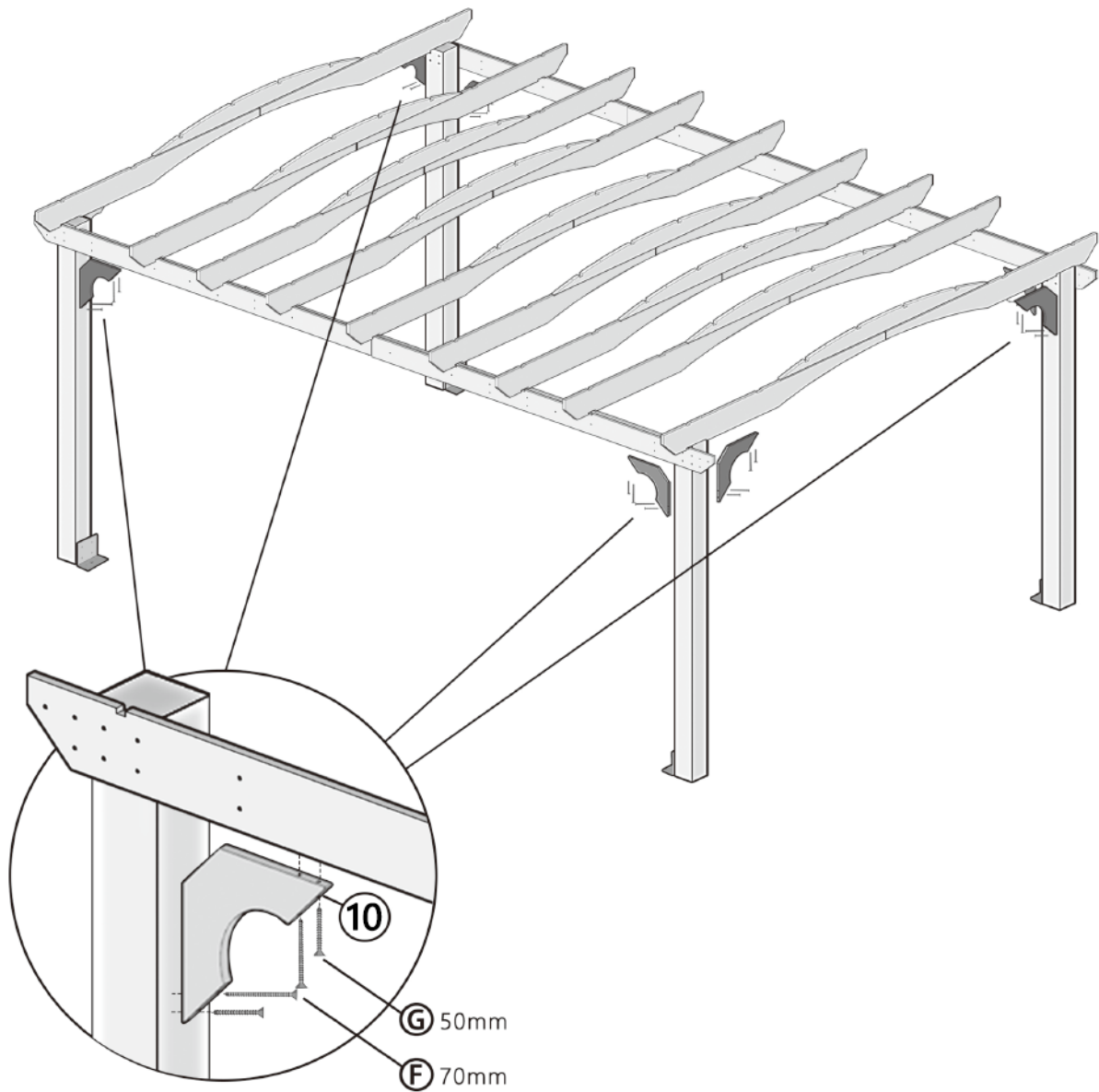


Now install all remaining six Inside Rafters as shown in previous step.



© x14

STEP 7



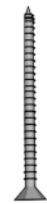
Locate the Brace(10). Make flush with the outside of the Header and outside of the Post.
Fasten with four Screws(Two Screws G and Two Screws F)
through pre-drilled holes as shown. (Two into Header and two into Post)



⑩ x8

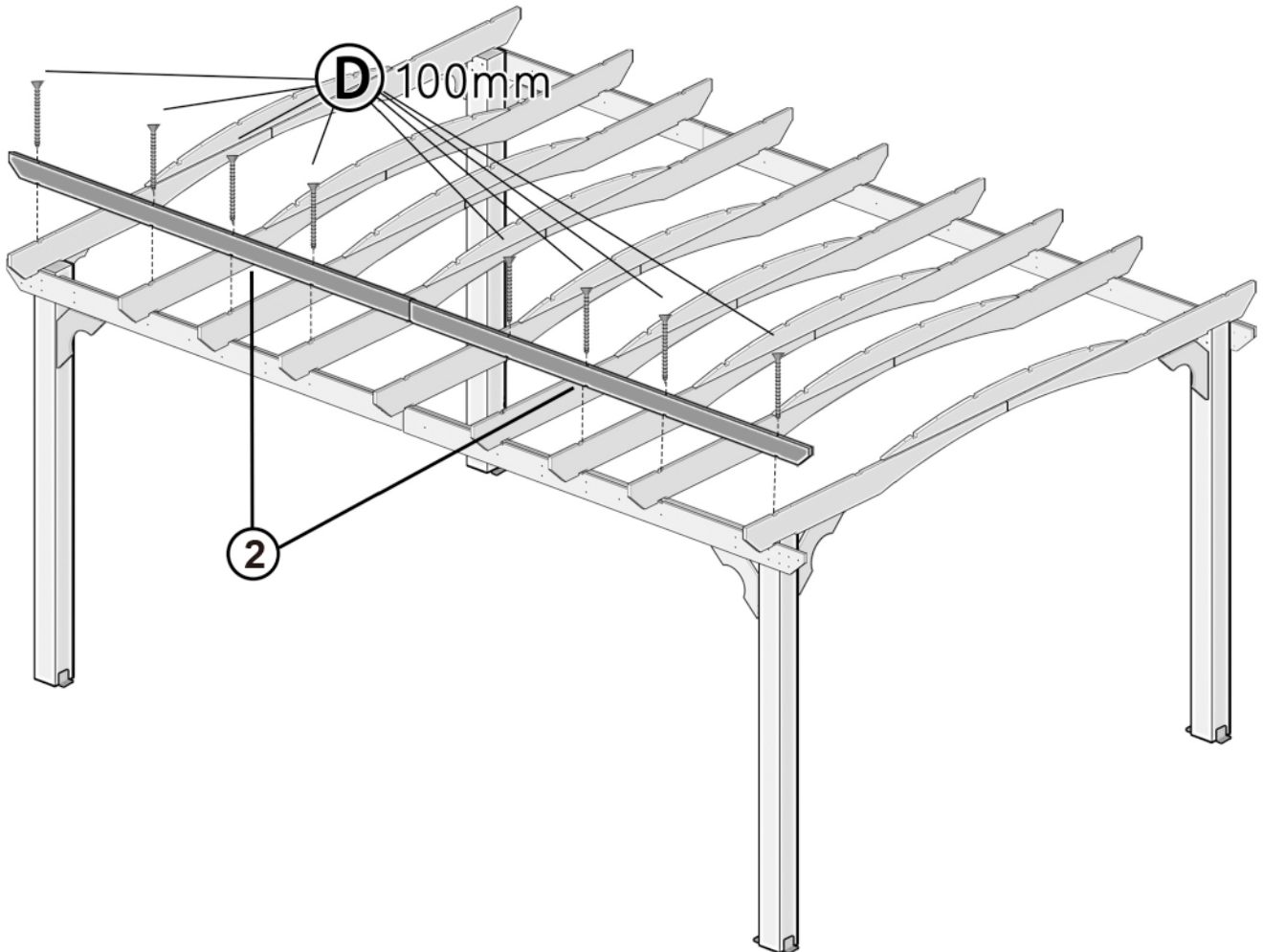


ⓐ x16

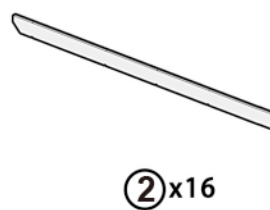


ⓑ x16

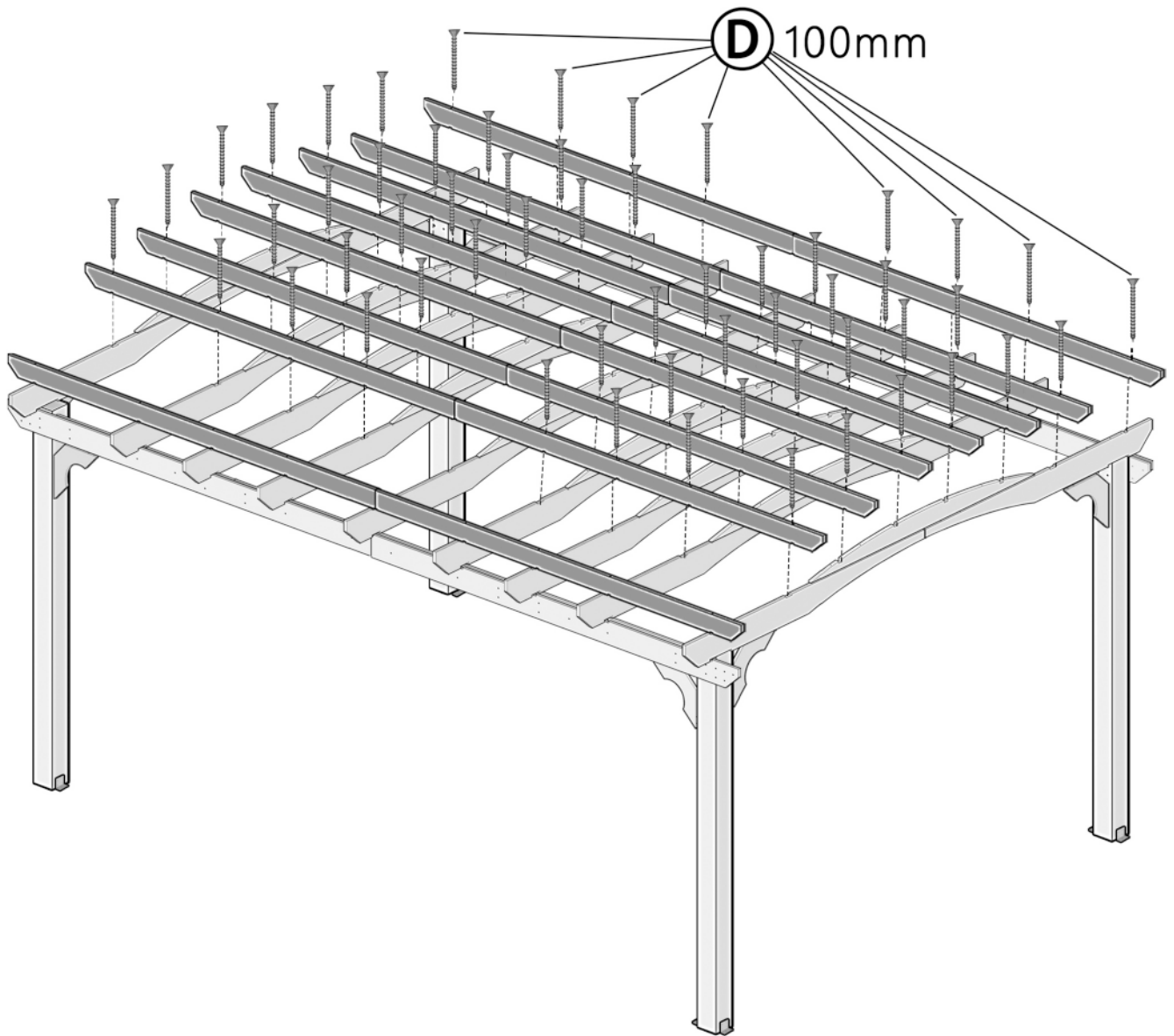
STEP 8-1



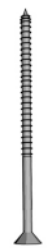
Locate the Stringers(②). Place on top of the rafters. Notice the direction of the Stringer placement. Place the Stringer in the notch firmly. Fasten with nine Screws(D) through pre-drilled hole at each Rafter location.# Totally eight Stringers(②), 64 Screws(D).



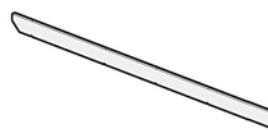
STEP 8-2



Locate the Stringers(②). Place on top of the rafters. Notice the direction of the Stringer placement. Place the Stringer in the notch firmly. Fasten with nine Screws(D) through pre-drilled hole at each Rafter location.# Totally eight Stringers(②), 64 Screws(D).

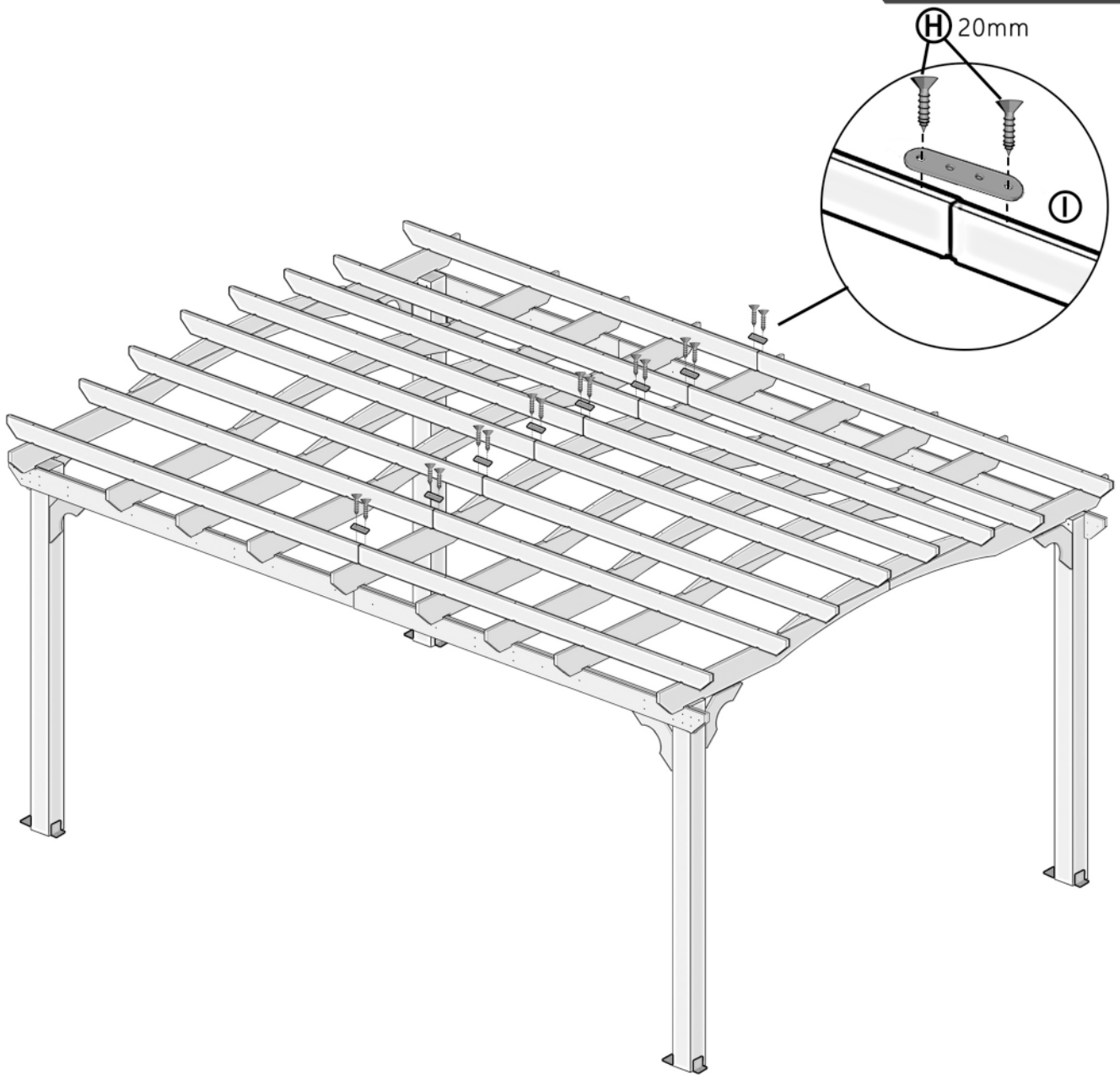


① x64



② x16

STEP 9



Locate the Part(I).Place on the top of the Stringers(④). Fasten with two Screws(H) through pre-drilled hole.Then install all remaining parts as shown.(Totally sixteen Screws(H))

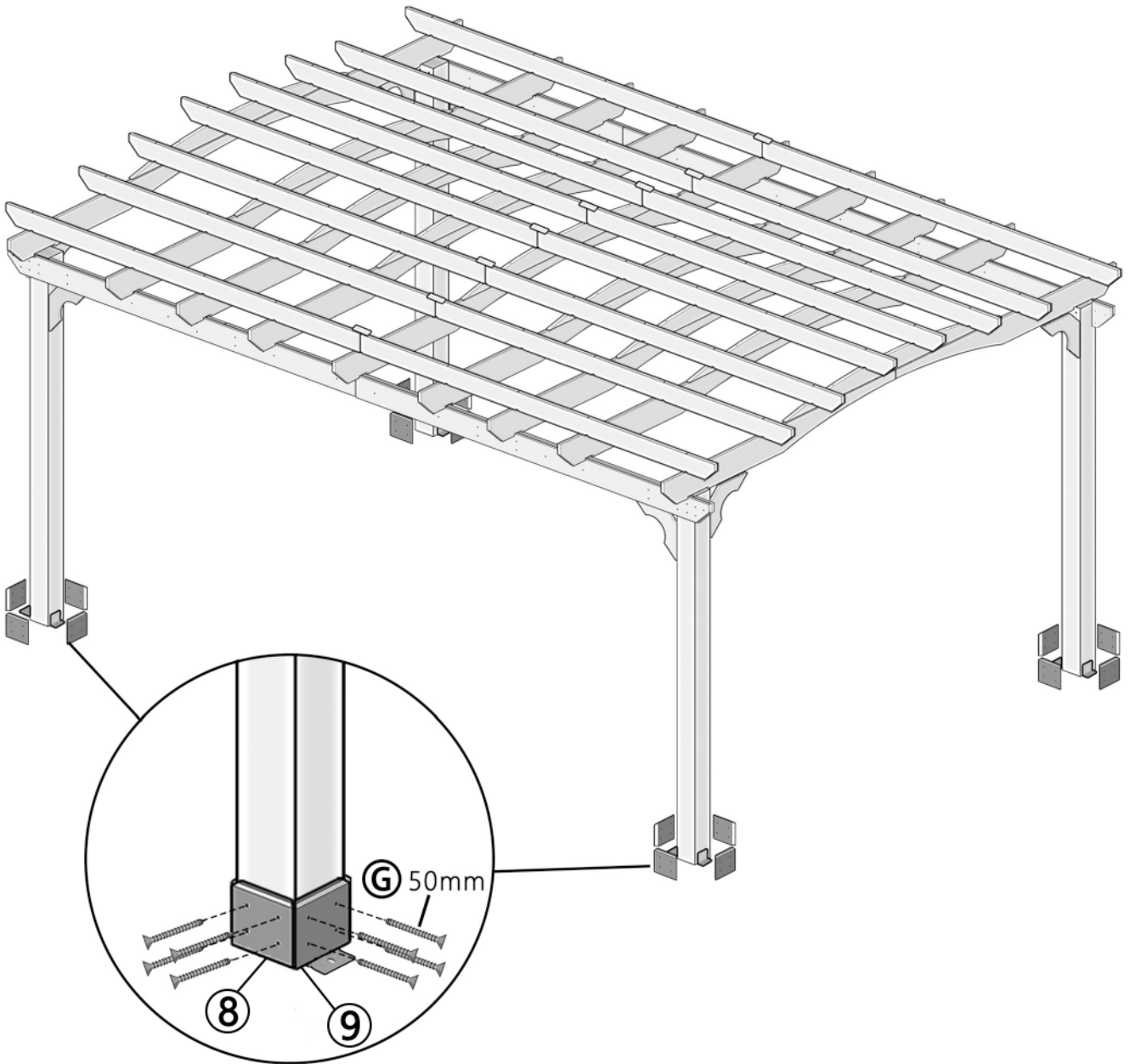


① x8

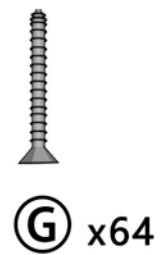
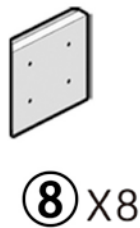
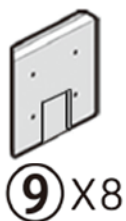


② x16

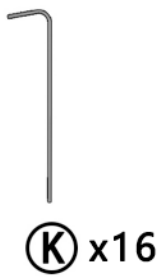
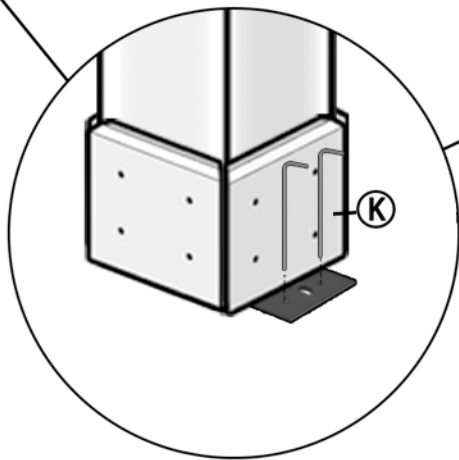
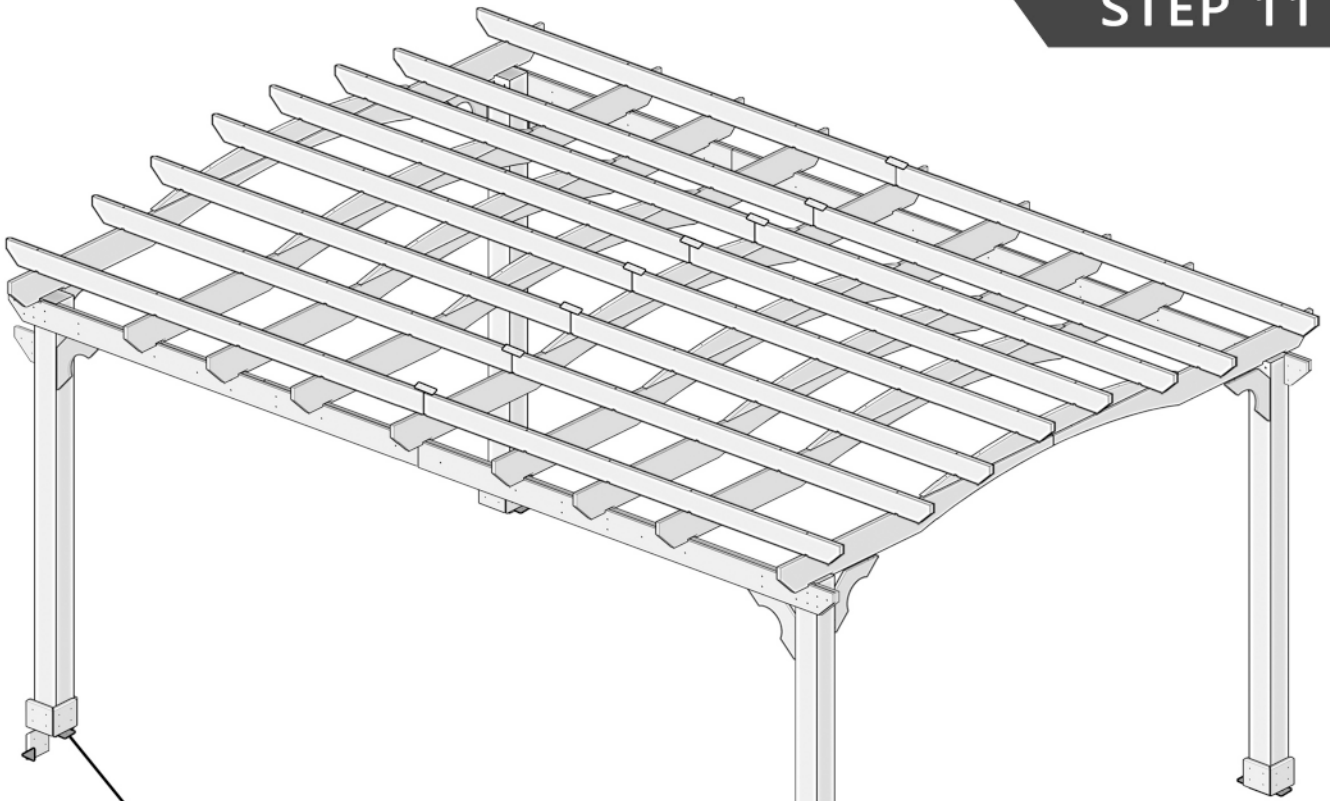
STEP 10



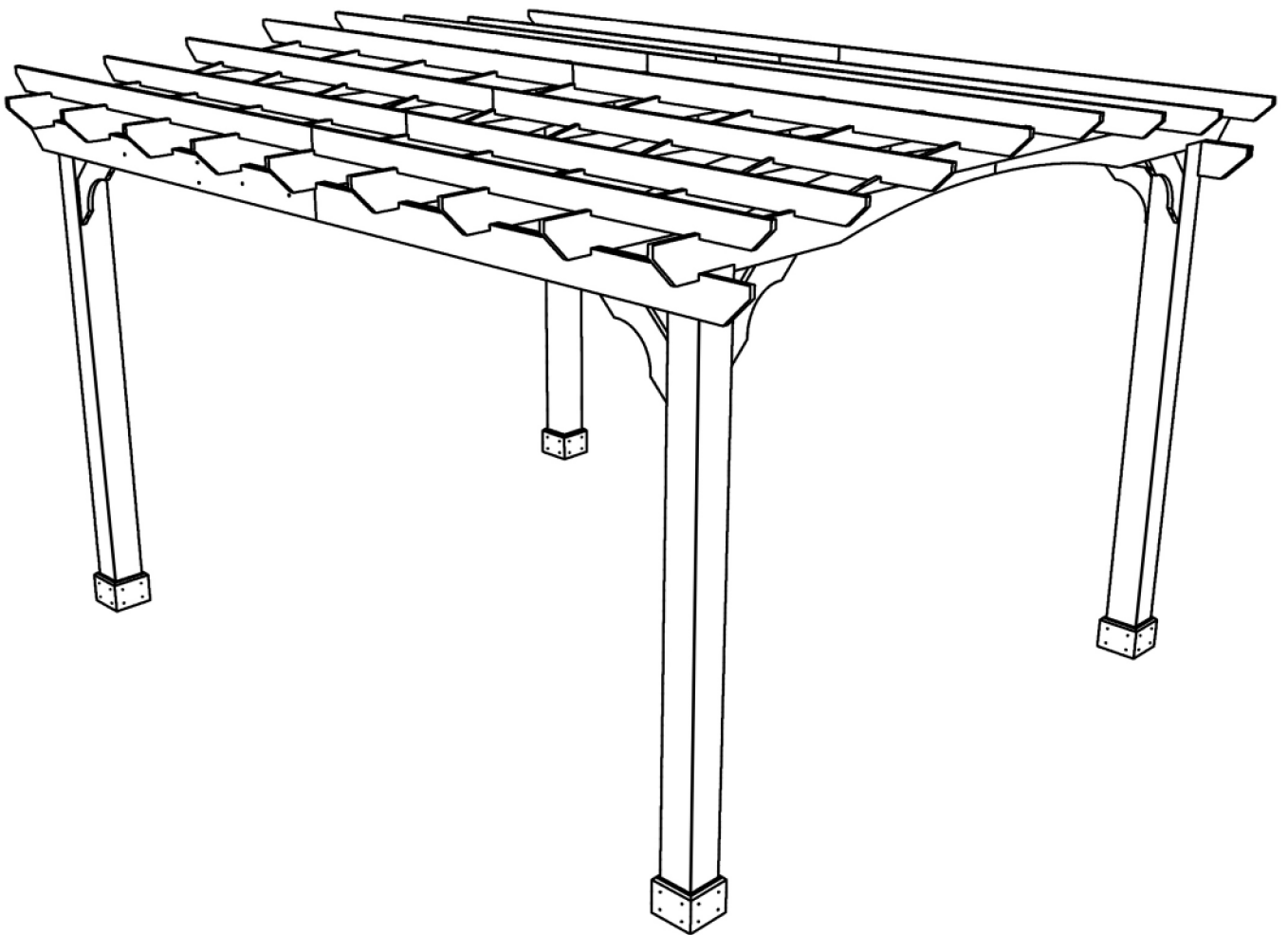
Locate the Post Skirt Pieces(⑧&⑨). Place the four Post Skirt Pieces against the post on the side. Fasten the Post Skirt Pieces together with sixteen Screws(G) through pre-drilled holes at each Post.Repeat this step on the second Post.



STEP 11



Enjoy your products!



If you have any problem.
E-mail us at customerservice@veikous.com.