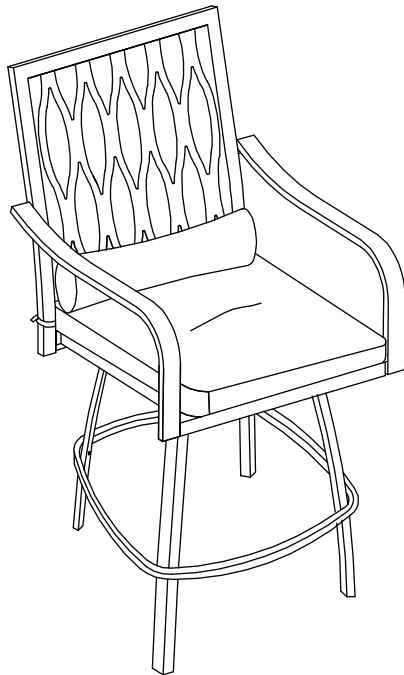


INSTRUCTION MANUAL

Iron Swivel Bar Stool



INTRODUCTION

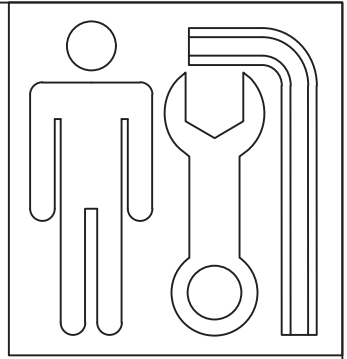
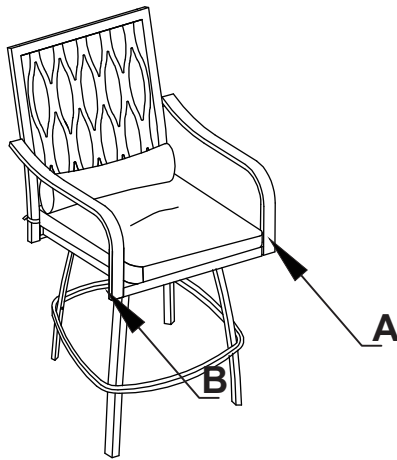
Thanks for purchasing and trusting us with your home decorating plans.

This product is a piece of furniture designed and made by us.

We are committed to R&D and innovation and creating the most exquisite and diverse outdoor series.

After unpacking and before every use, check whether the item shows any damage. In addition, check that you have all parts and hardware before assembly. If there is any damage, please do not use it and call customer. If you do not have all the parts lists, have your dealer contact us and we will send them to you immediately.

This item of furniture is intended for indoor and outdoor use. Please take time to read and follow the instructions below. Then, use this item as described in this operating manual. We accept no liability for damage caused by improper use.



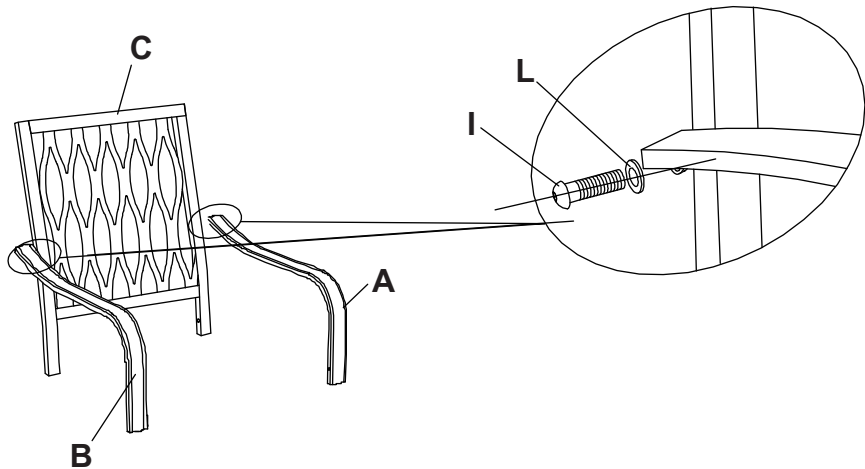
Part Number	Images and Sizes	Qty.	Part Number	Images and Sizes	Qty.	Part Number	Images and Sizes	Qty.
A		1	T		1	N		12
B		1	H	 M6*15	6	P		1
C		1	I	 M6*28	6	Q		1
D		1	J	 M6*35	4	R		1
E		1	K	 M6*55	4	S		1
F		1	L		32			
G		1	M		12			

ASSEMBLY INSTRUCTIONS



CAVEAT

Note: Please only tighten any bolts once all bolts are placed correctly and the product is lying flat. If you tighten one bolt, it may cause other bolts to get out of position.



STEP 1

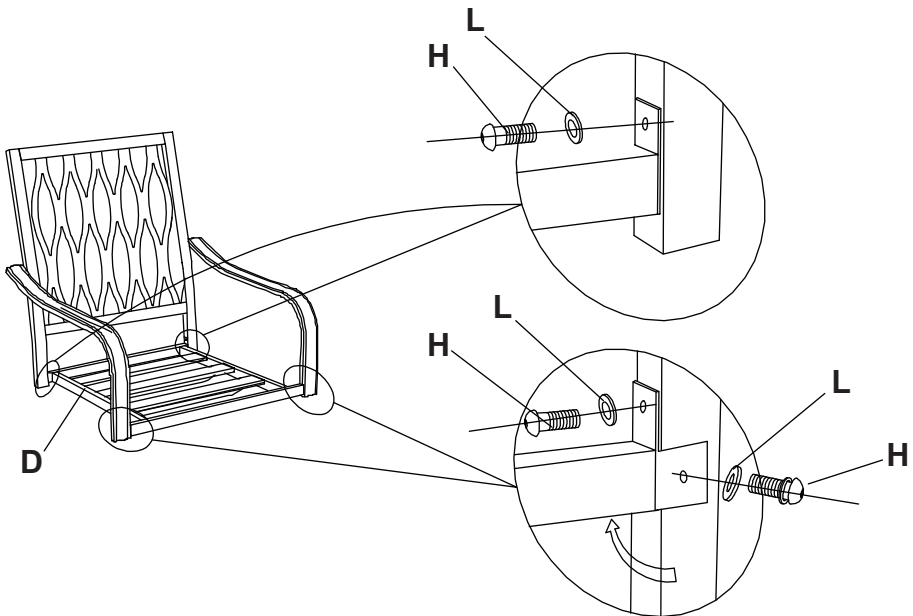
1. Attach armrest (A) to back plate (C) using 1 bolt (I) and 1 washer (L). Do not over-tighten them.
2. Attach armrest (B) to back plate (C) using 1 bolt (I) and 1 washer (L). Do not over-tighten them.

ASSEMBLY INSTRUCTIONS



CAVEAT

Note: Please only tighten any bolts once all bolts are placed correctly and the product is lying flat. If you tighten one bolt, it may cause other bolts to get out of position.



STEP 2

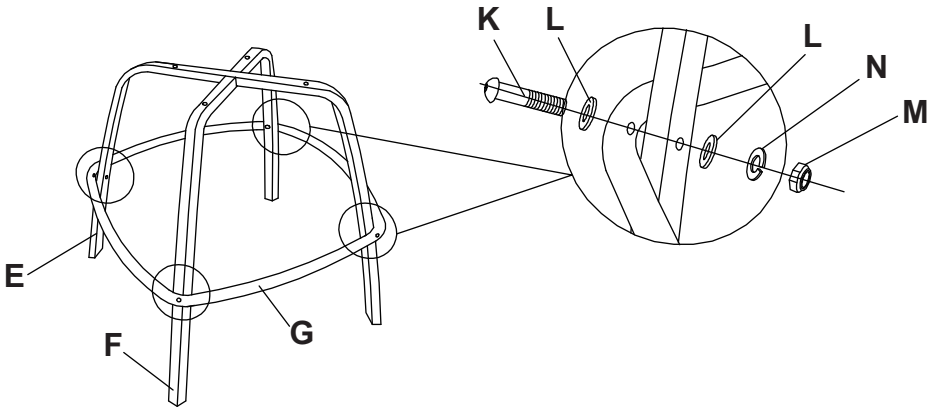
1. Attach seat plate (D) to back plate (C) using 2 bolts (H) and 2 washers (L). Do not over-tighten them.
2. Attach armrest (A) to seat plate (D) using 2 bolts (H) and 2 washers (L). Do not over-tighten them.
3. Attach armrest (B) to seat plate (D) using 2 bolts (H) and 2 washers (L). Do not over-tighten them.

ASSEMBLY INSTRUCTIONS



CAVEAT

Note: Please only tighten any bolts once all bolts are placed correctly and the product is lying flat. If you tighten one bolt, it may cause other bolts to get out of position.



STEP 3

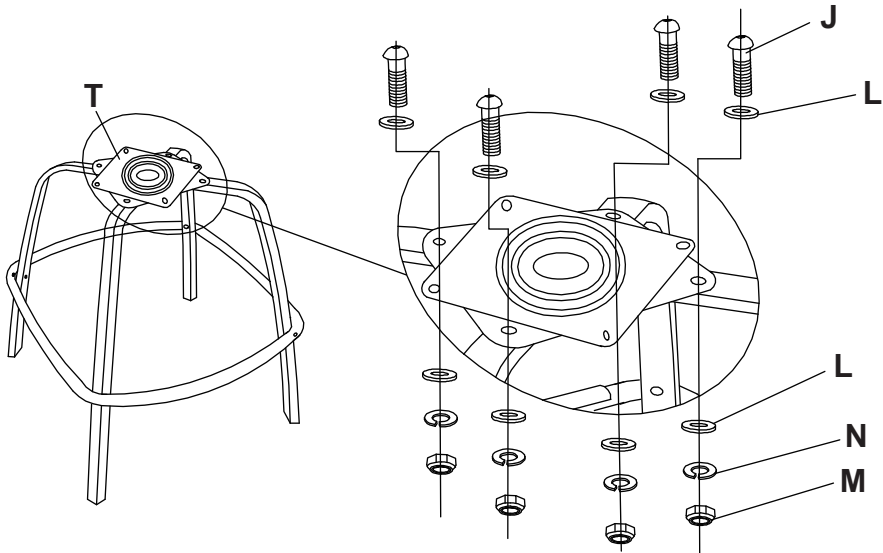
1. Place 2 legs (E&F) in a cross pattern.
2. Attach foot pedal (G) to legs (E&F) using 4 bolts (K), 4 nuts (M), 4 spring washers (N) and 8 washers (L). Do not over-tighten them.

ASSEMBLY INSTRUCTIONS



CAVEAT

Note: Please only tighten any bolts once all bolts are placed correctly and the product is lying flat. If you tighten one bolt, it may cause other bolts to get out of position.



STEP 4

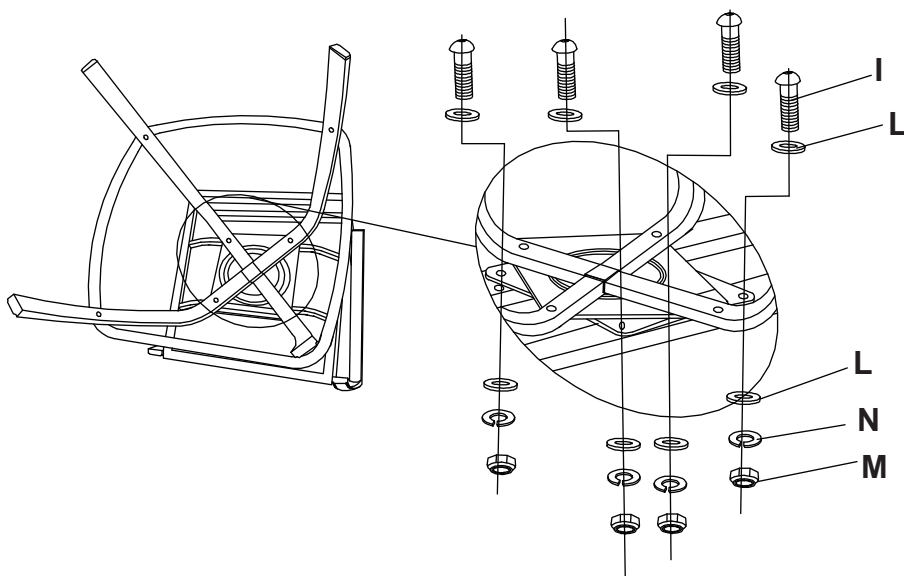
Attach turntable (T) to legs (E&F) using 4 bolts (J), 4 nuts (M), 4 spring washers (N) and 8 washers (L). Do not over-tighten them.

ASSEMBLY INSTRUCTIONS



CAVEAT

Note: Please only tighten any bolts once all bolts are placed correctly and the product is lying flat. If you tighten one bolt, it may cause other bolts to get out of position.



STEP 5

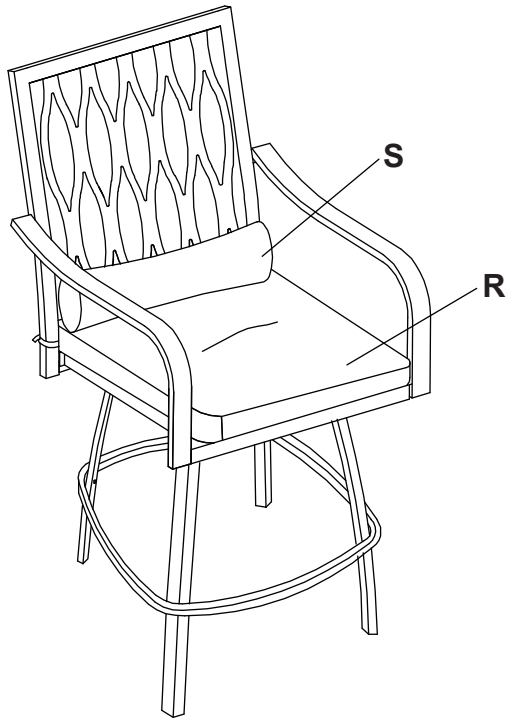
Connect legs (E&F) and plates (C&D) with turntable (T) using 4 bolts (I), 4 nuts (M), 4 spring washers (N) and 8 washers (L). Do not over-tighten them.

ASSEMBLY INSTRUCTIONS



CAVEAT

Note: Please only tighten any bolts once all bolts place correctly and the product is lying flat. If you tighten one bolt, it may cause other bolts to get out of position.



STEP 6

Place seat cushion (R) and back cushion (S) on the seat plate (D).
Upon completing the entire assembly and bolting up, you can tighten down all screws.

CARE AND MAINTENANCE

Follow the instructions for the product's material to ensure it stays in the best shape as long as possible. The information below is a general guideline.

Don't hesitate to get in touch with us to learn more.

- Only rinse it thoroughly with clean water to wash away dirt and grime. Never use abrasive cleansers on the furniture since they can attack the surface and leave behind scratch marks.
- For stubborn grime and stains, use a soft sponge and mild soapy water. Then dry it with a cloth or paper towel.
- Check the stability of the screws, nuts, and nut caps before each use. Then, tighten them up after one to two months' use whenever required.
- Avoid improper use, and be careful not to scratch or damage the surface with sharp objects.
- When you move your furniture, lift it rather than pulling or pushing it to avoid damaging the floor, legs, and mounting.