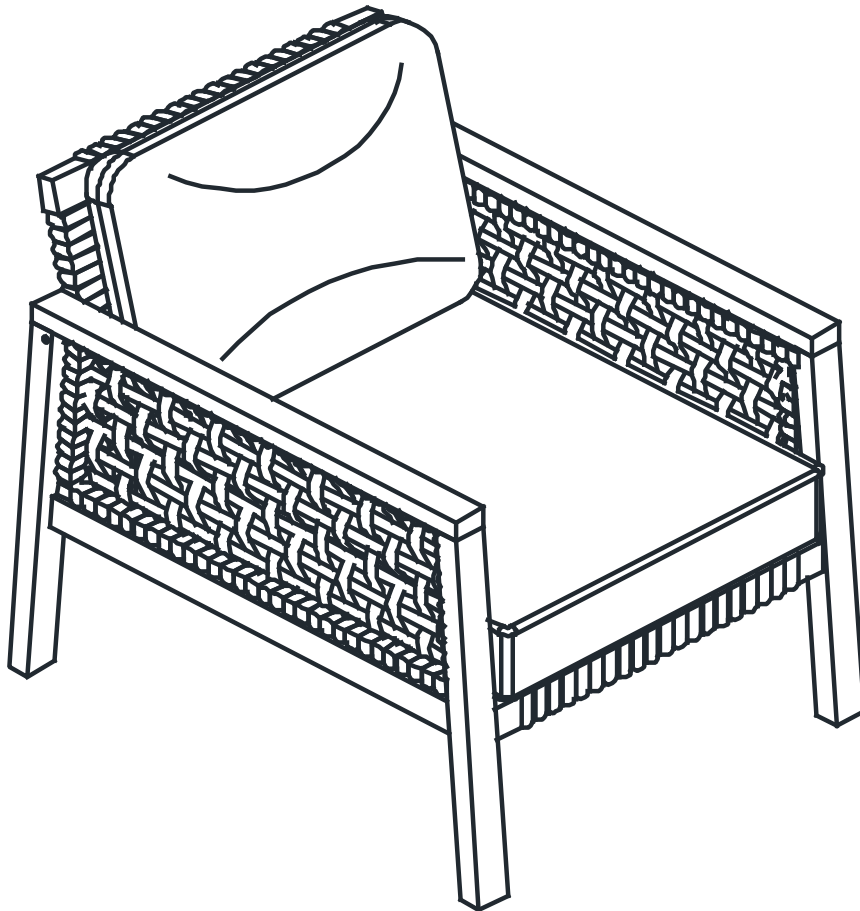


Assembly Instructions

Caution: You must read this before you proceed

Please look underneath the Seat Panel for hardware packs

Chair

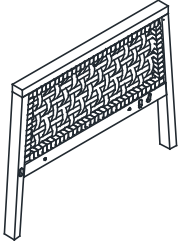
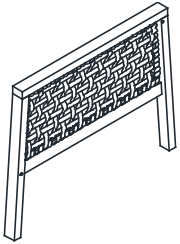
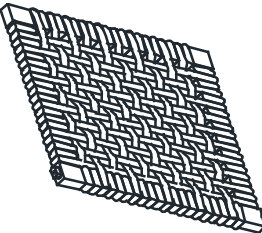


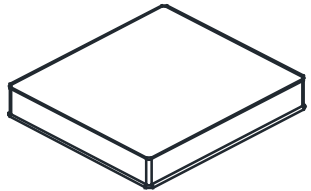


CAUTION: This Chair is NOT a TOY.



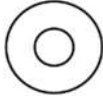

Keep your child / children at bay during the assembly process.

For turning the Chair and to prevent damage to the Chair, 02 persons may be needed to execute this action

Parts List

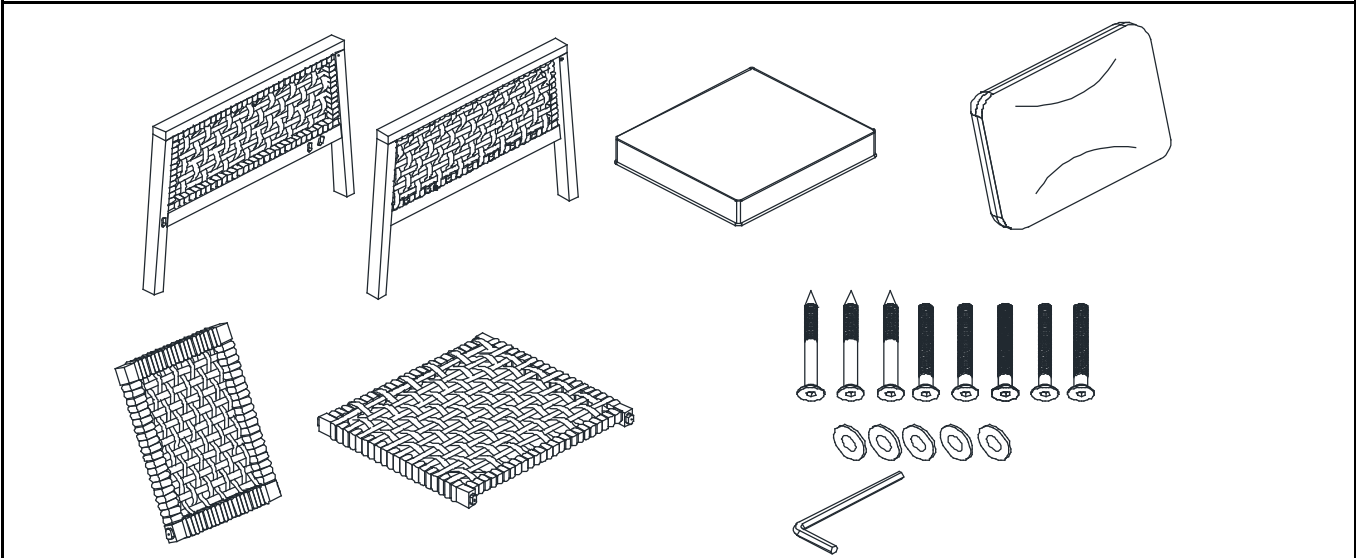
Label	Picture	Description	QTY
A	 A line drawing of a rectangular wooden leg with a woven mesh back panel.	Left Leg	1
B	 A line drawing of a rectangular wooden leg with a woven mesh back panel, identical to part A.	Right Leg	1
C	 A line drawing of a rectangular woven mesh panel, likely made of wicker or rattan.	Back Panel	1
D	 A line drawing of a rectangular woven mesh panel, similar to the back panel but with a different weave pattern.	Seat Panel	1
E	 A line drawing of a rectangular cushion with a curved top edge and a small indentation in the center.	Back Cushion	1
F	 A line drawing of a rectangular cushion with a simple, flat top surface.	Seat Cushion	1

Hardware

Label	Picture	Description	QTY
①		Screw (M7x70 mm)	3
②		Bolt (M6x50 mm)	5
③		Washer (M6.5/16x2mm)	5
④		Allen Key	1

Assembly Preparation

Before Beginning Assembly:



- Read instructions, cover to cover-



- Have 2 adults on hand for assembly-



- Do not assemble on flooring or carpet-



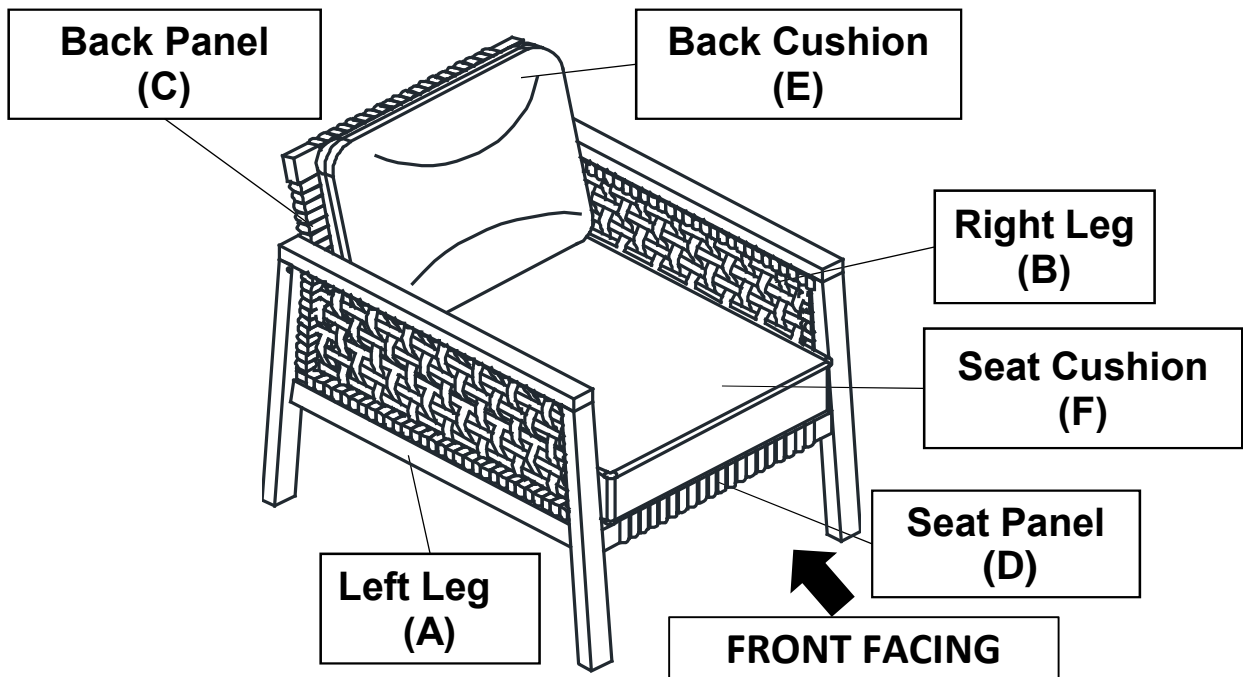
- Assemble on a clean non-marring surface (packing foam)-



- Save all packaging until finished-

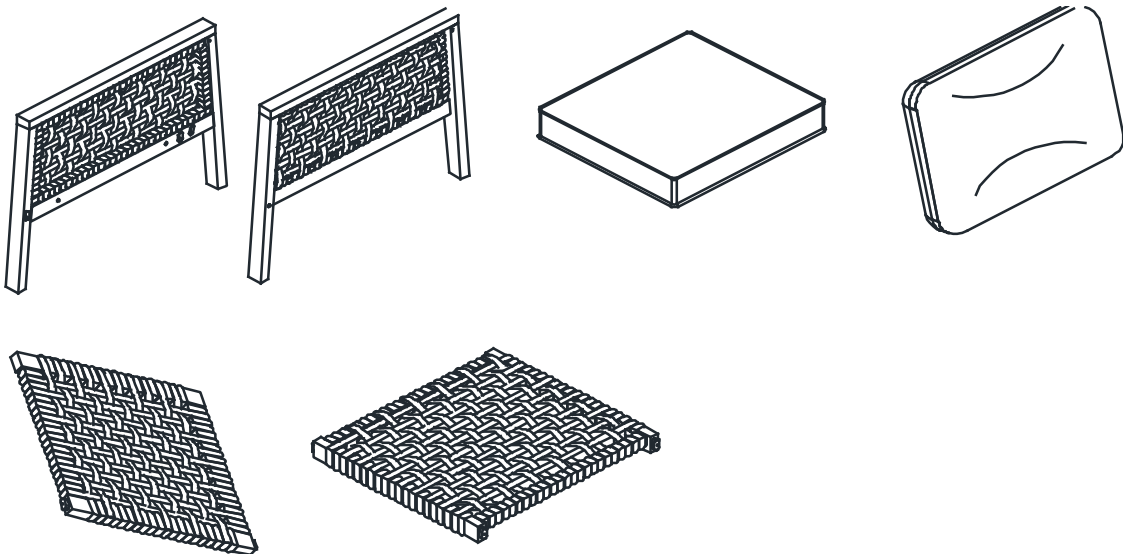
Assembly Steps

Overview



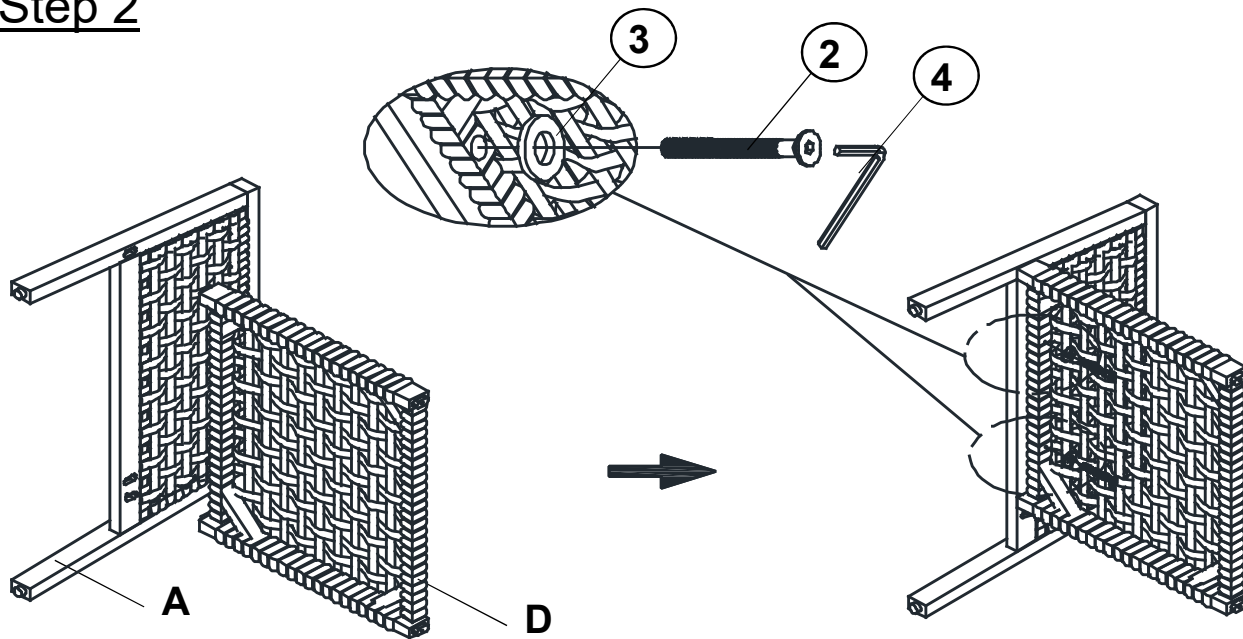
This Chair has multiple parts and may require up to 30 minutes to assemble. To give you an overview of the Chair, the above picture is to help you put the various parts into perspective. Please read through the instructions below to familiarise yourself with the parts and steps before assembly.

Step 1



Unpack and place all parts on a clean, non-marring surface.

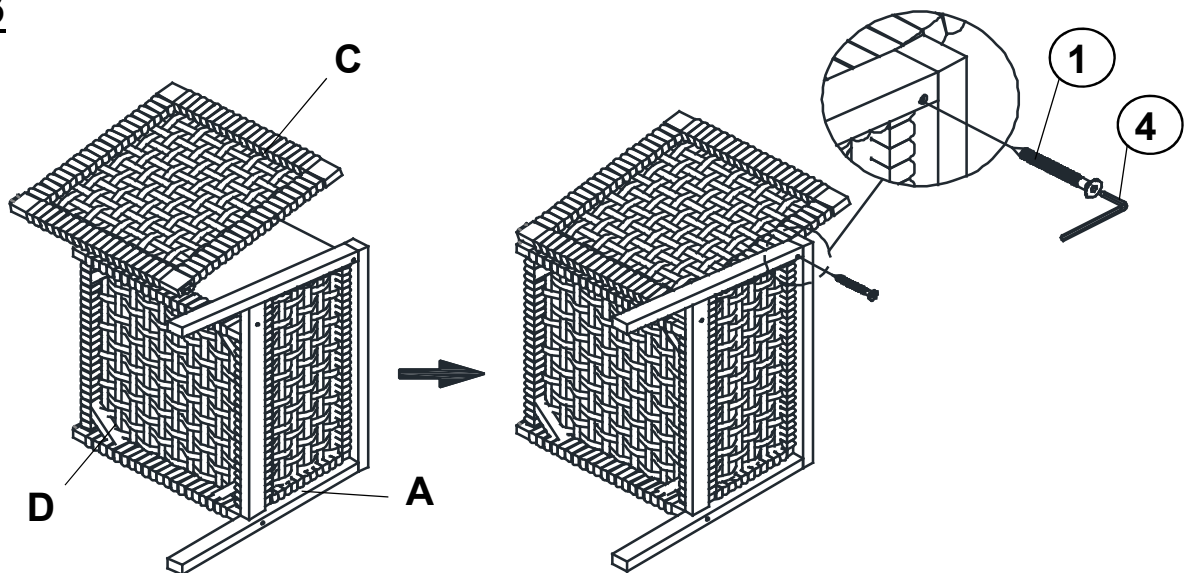
Step 2



Position the Seat Panel (D) to the Left Leg (A) as shown in the above picture. Attach the Seat Panel (D) to the Left Leg (A) by using Bolts (2), Flat Washers (3) with Allen Key (4).

Do not fully tighten the Bolts.

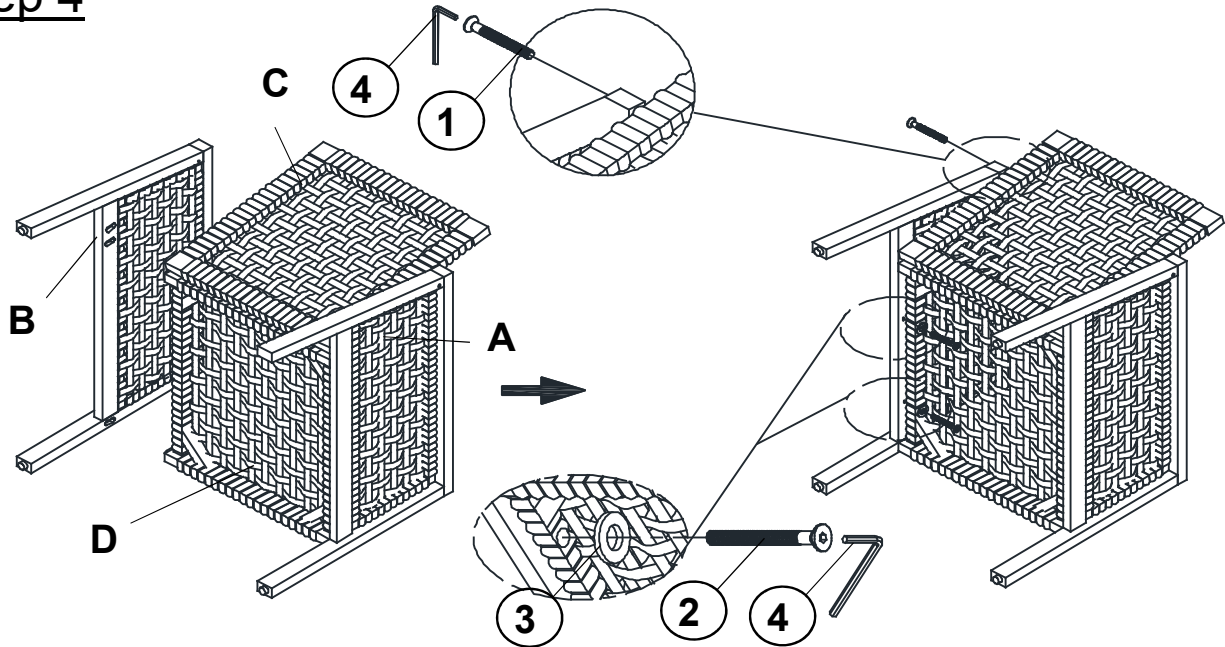
Step 3



Attach the Back Panel (C) to the Left Leg (A) by using Screw (1) with Allen Key (4).

Do not fully tighten the Screw.

Step 4

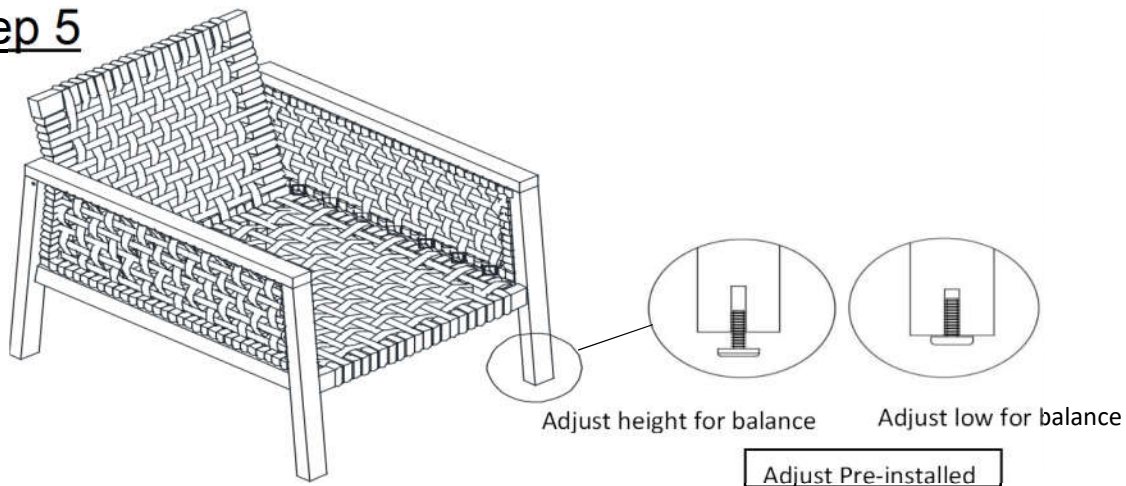


Attach Right Leg (B) to Seat Panel (D) by using Bolts (2), Flat Washer (3) with Allen Key (4).

Secure Right Leg (B) to Back Panel (C) by using Screw (1) with Allen Key (4).

Do not fully tighten the Bolts, Screw.

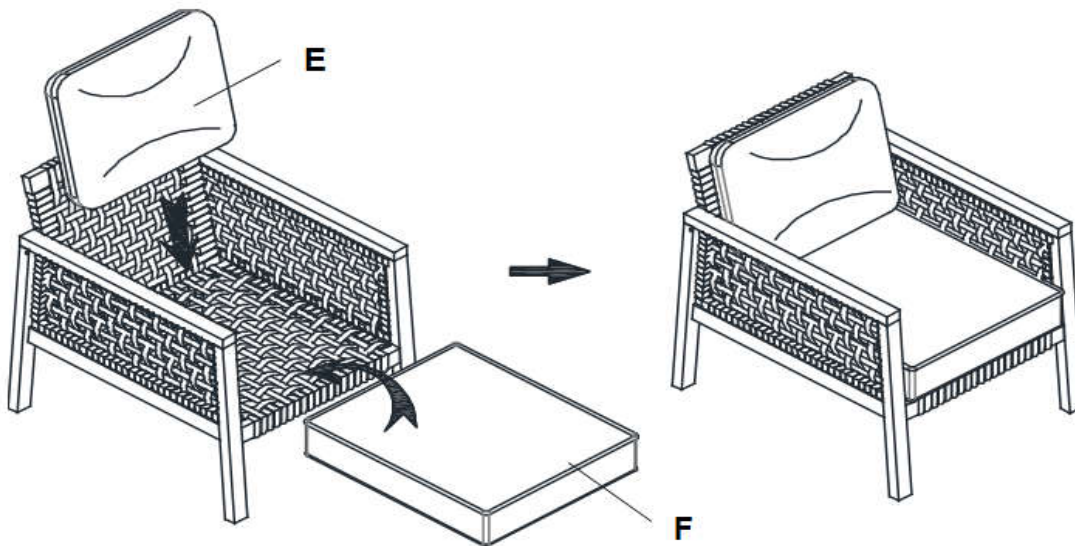
Step 5



With the assistance from your adult partner, stand the Chair up
Inspect the Chair and make sure all parts are adequately connected.
Carefully sit onto the Chair. This pressure will help align all parts at all joints.
In a sequential manner, tighten all Bolts and Screws at all joints.
Adjust the Levellers until the Chair is level with the ground.

To adjust the Levellers, get assistance from an adult partner to lift/lean and hold the Chair while you are working.

Step 6



Place Back Cushion (E) and Seat Cushion (F) onto the Chair as shown above.





















Inspect it and make sure all parts are adequately connected.

Ensure all bolts and screw are fully locked into position and secured.

Your Chair is ready to be used.

This Chair can only be used on a flat, level surface.

Care & Maintenance

-   ● Do not put hot items directly on furniture surface
-   ● Do not clean furniture with harsh cleansers or polish.
-   ● To obtain the longest lifespan of your outdoor products, minimizing exposure to direct sunlight is recommended.
-   ● Children should not climb or jump on the furniture.
-   ● Do not write on furniture without a padded barrier to protect the surface.
-   ● To obtain the longest lifespan of your outdoor products, avoid extended and lengthy exposure to rain, snow, and direct sunshine. Whenever possible cover the product and /or place under patio or awnings.
-   ● Not for commercial use. For residential use only .
-   ● Stains may be removed with mild soap solution and damp cloth.
-   ● Keep away from sources of ignition.
-   ● Dust and pick-up spills using a clean, non-colored, lint-free cloth.