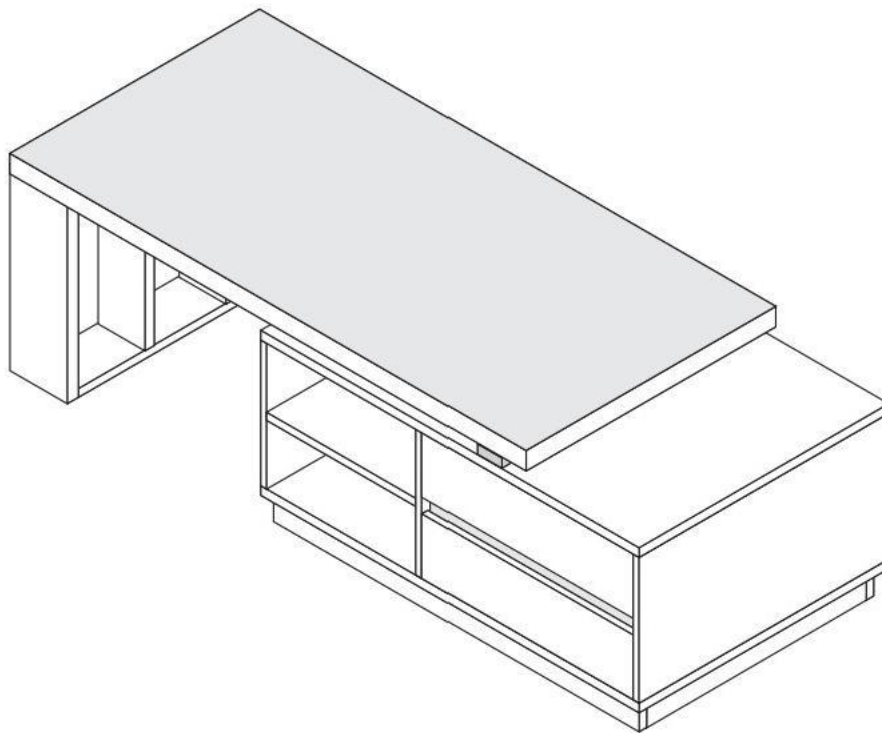
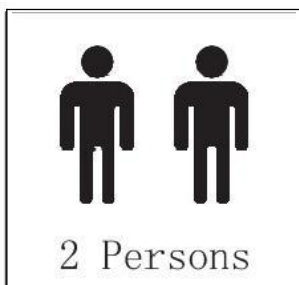


## Coffee Table

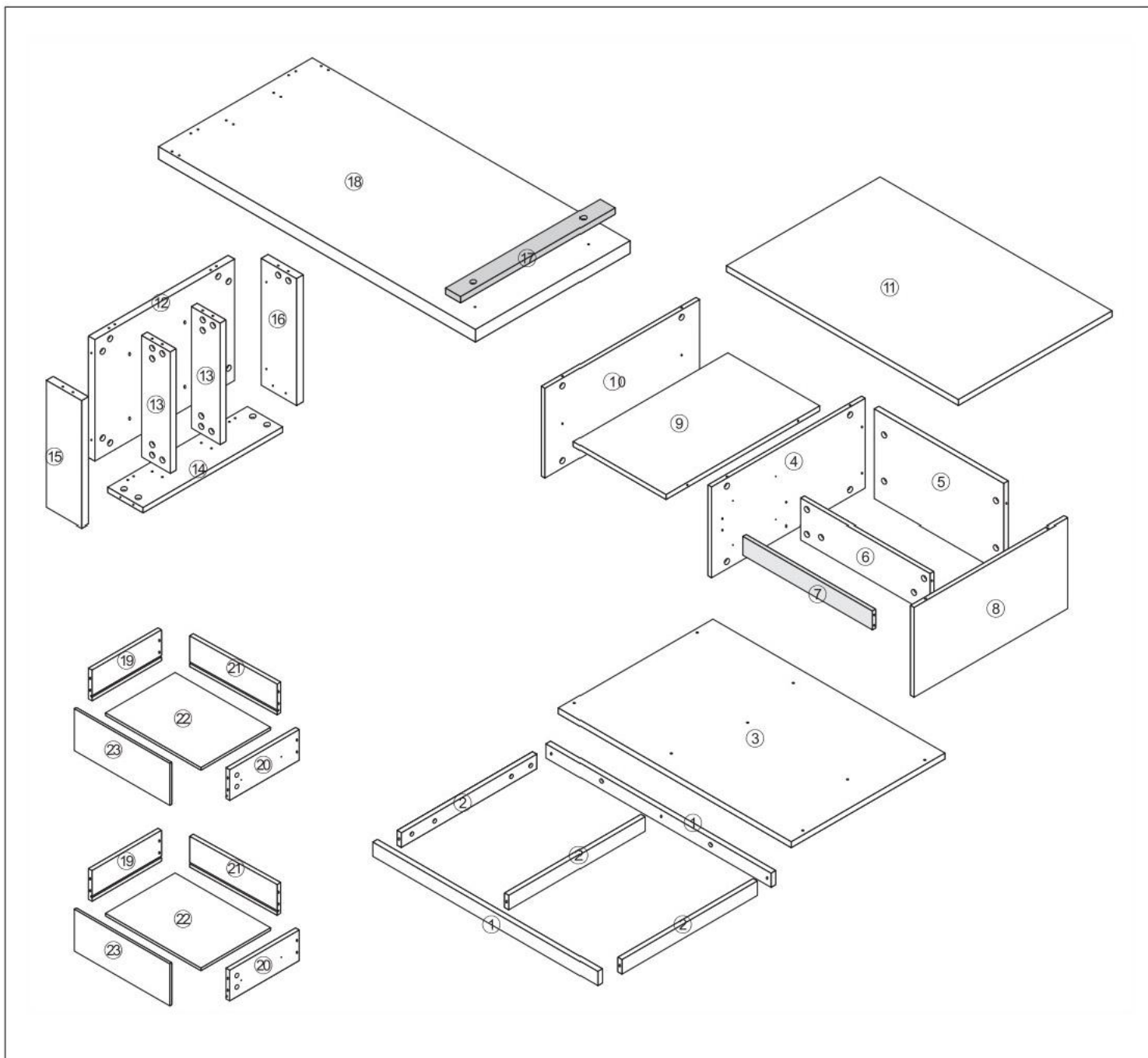


Left and right interchangeability

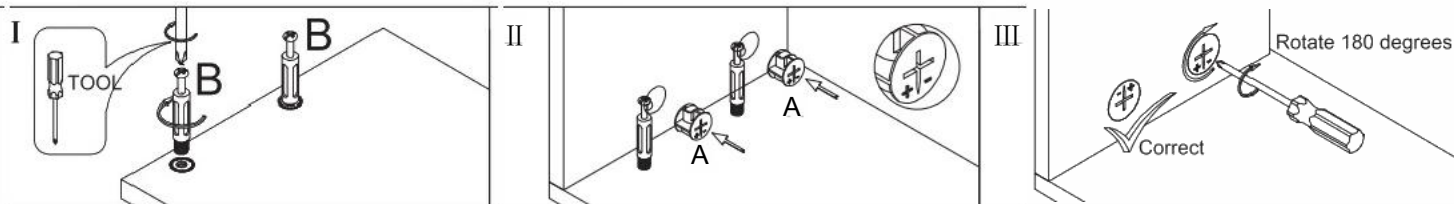


### Installation Instructions

Notes: Don't tighten screws completely at first, just in case parts were assembled wrongly and need disassemble. Tighten screws at last when all parts are put together

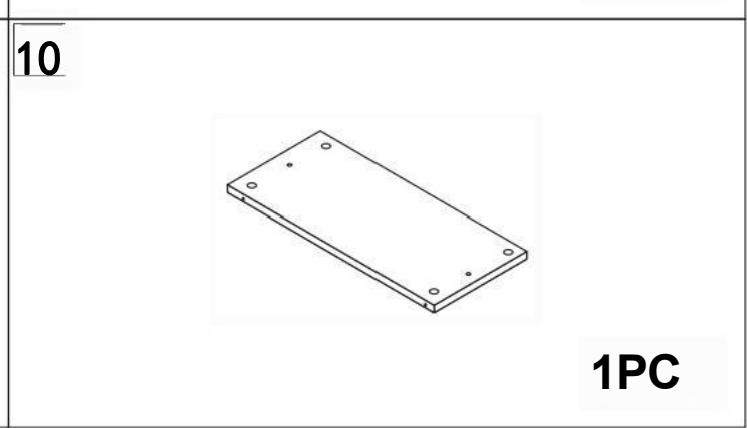
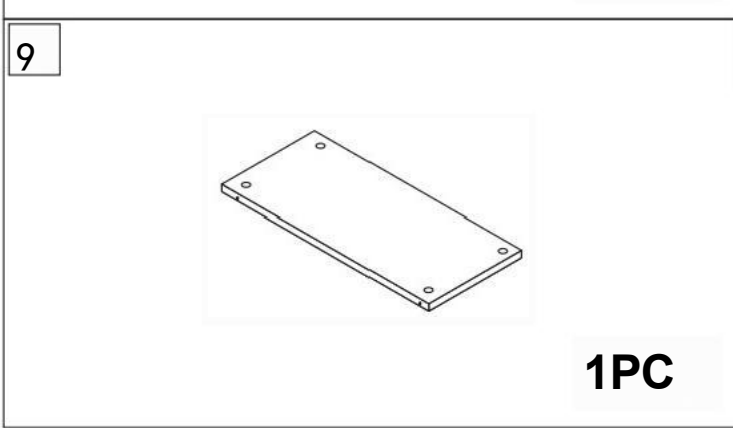
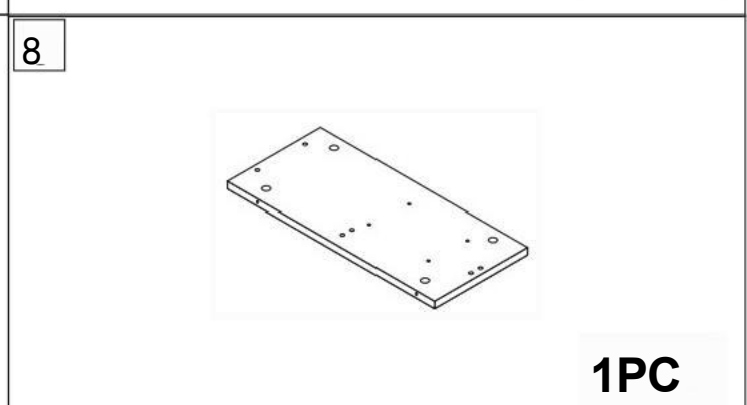
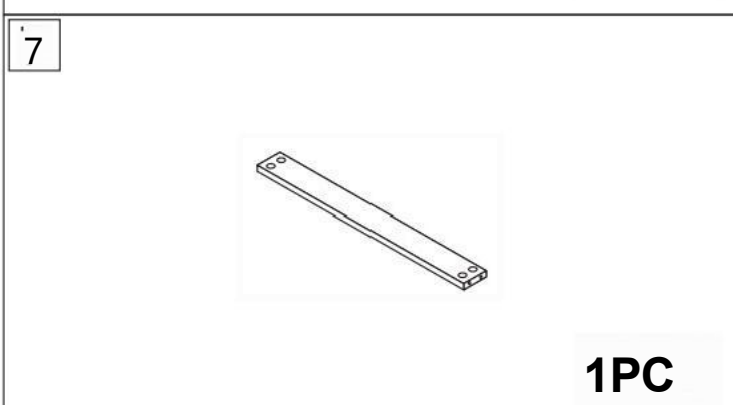
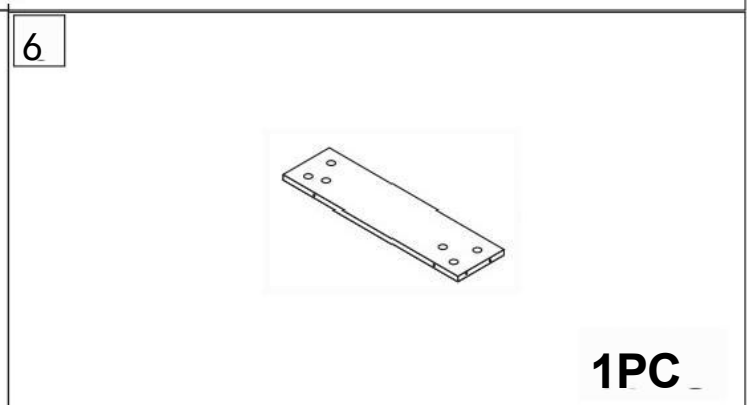
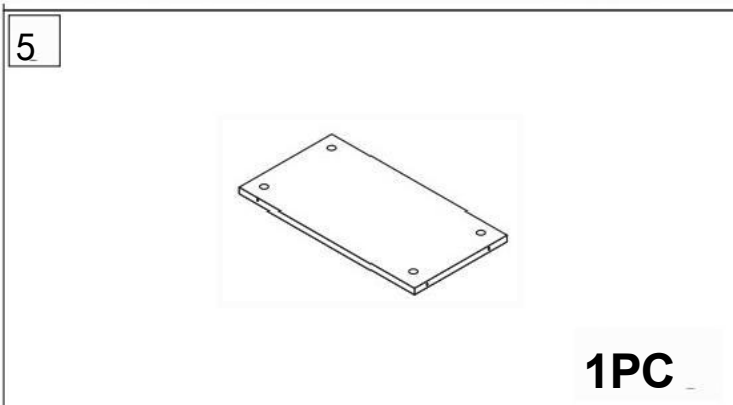
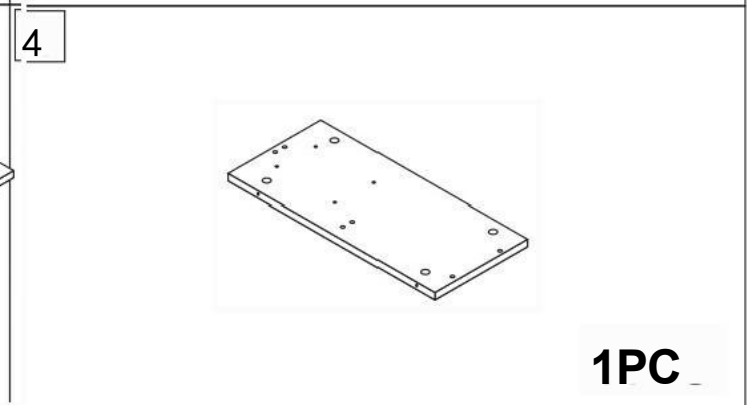
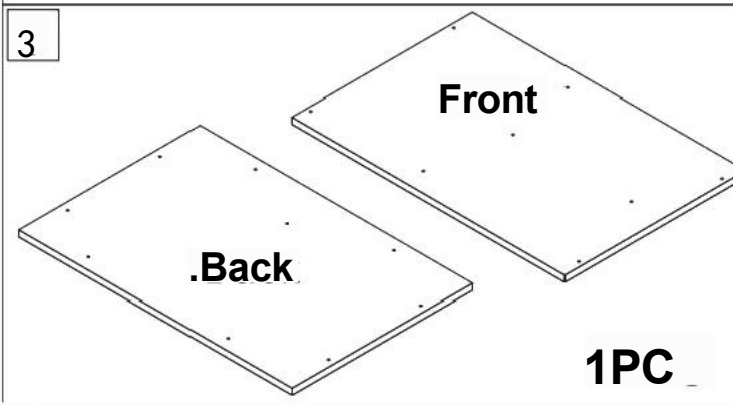
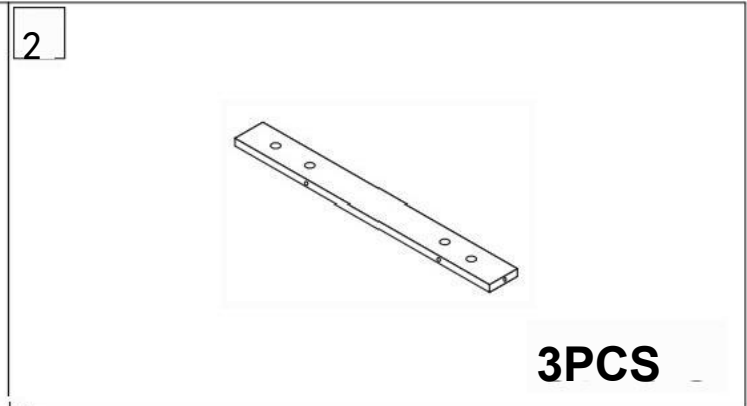
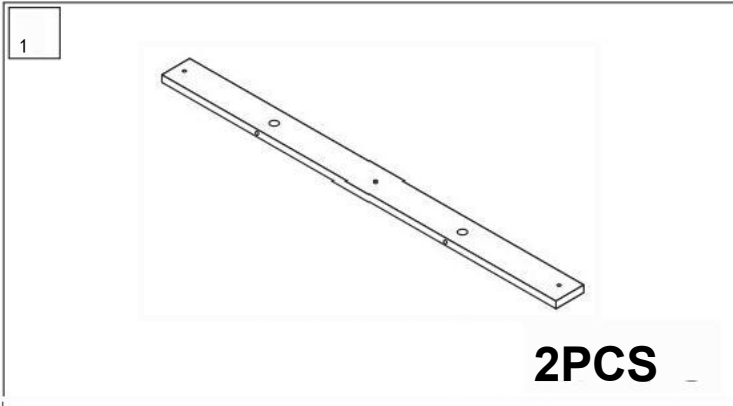


Disassembly and installation of accessories

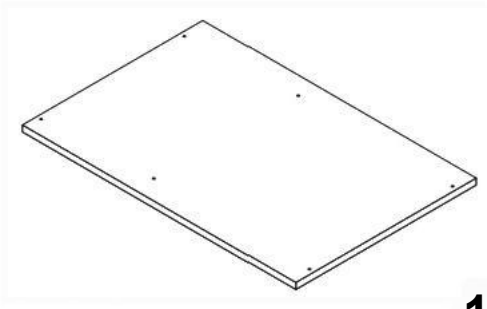


<b>A</b> 82PCS	<b>B</b> 82PCS	<b>C</b> 24PCS	<b>D</b> 8PCS	<b>E</b> 8PCS	<b>F</b> 2PCS	<b>G</b> 4PCS	<b>H</b> 16PCS
15*10mm	6*28mm	3.5*14mm	Three-section Rail	3.5*40mm	M6*30mm	8*30mm	φ 15mm

<b>J</b> 3PCS	<b>K</b> 28PCS	
Foam pad	Three in one sticker	Tools Recommended

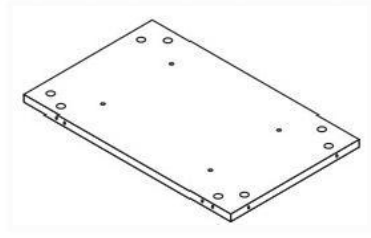


11



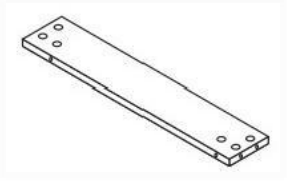
1PC

12



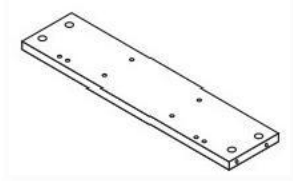
1PC

13



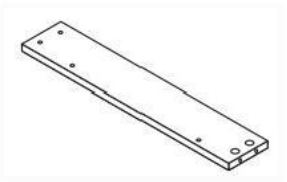
2PCS

14



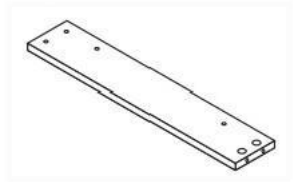
1PC

15



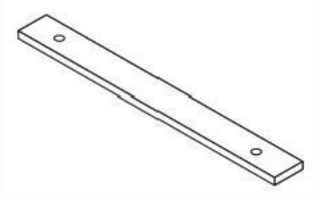
1PC

16



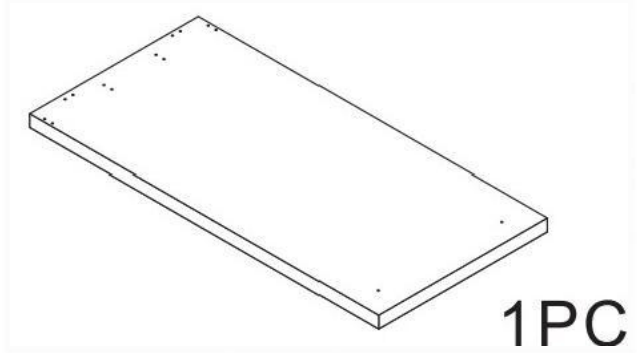
1PC

17



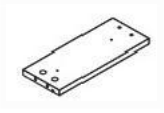
1PC

18



1PC

19



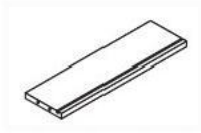
2PCS

20



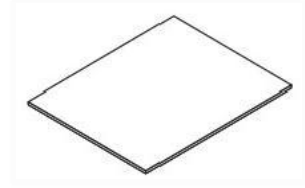
2PCS

21



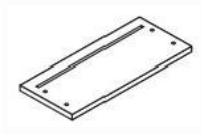
**2PCS** \_

22



**2PCS** \_

23



**2PCS** \_

25

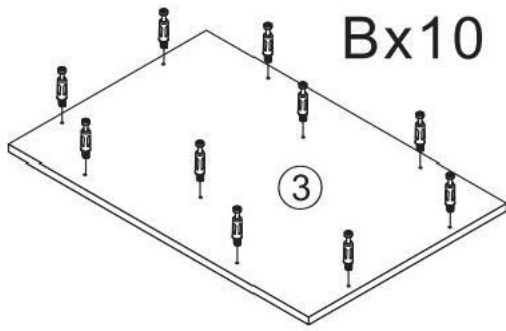
26

27

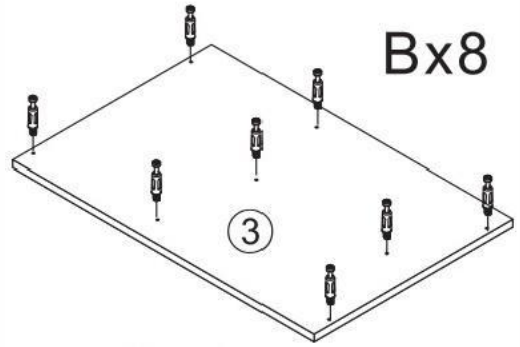
28

29

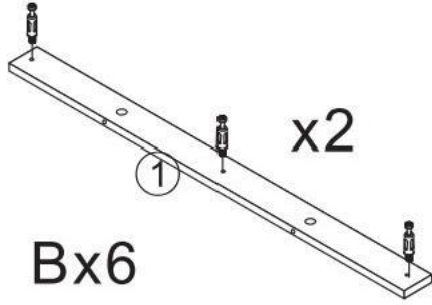
30



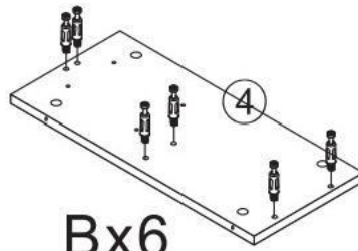
Back



Front

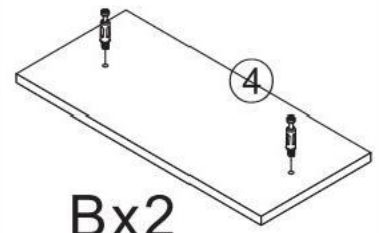


Bx6



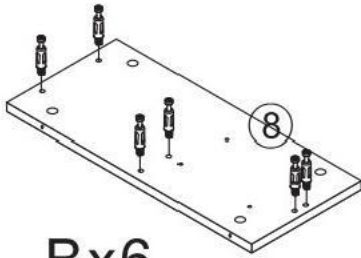
Bx6

Front

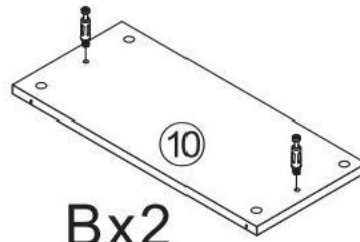


Bx2

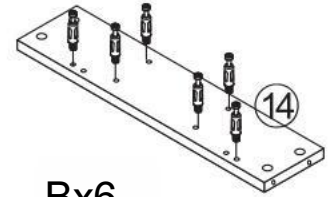
Back



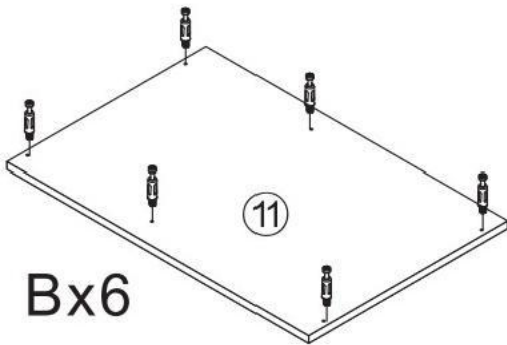
Bx6



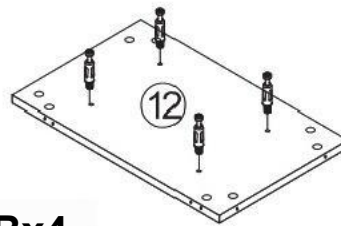
Bx2



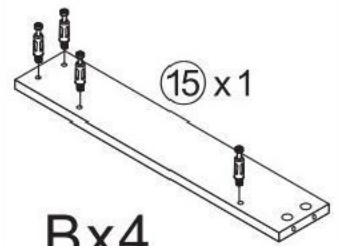
Bx6



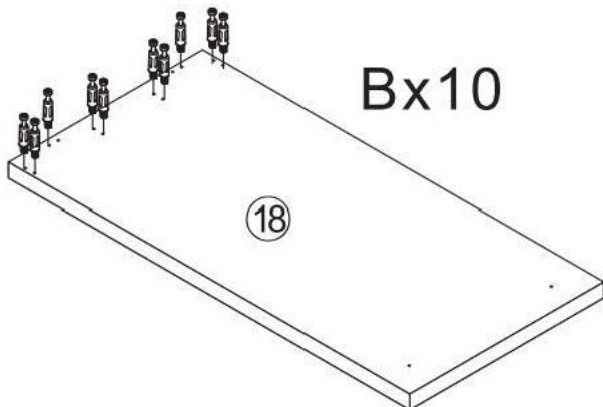
Bx6



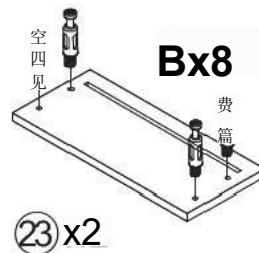
Bx4



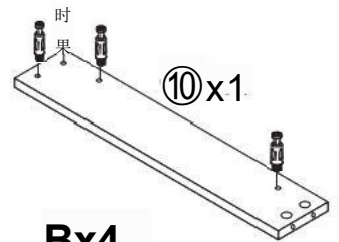
Rx4



Bx10



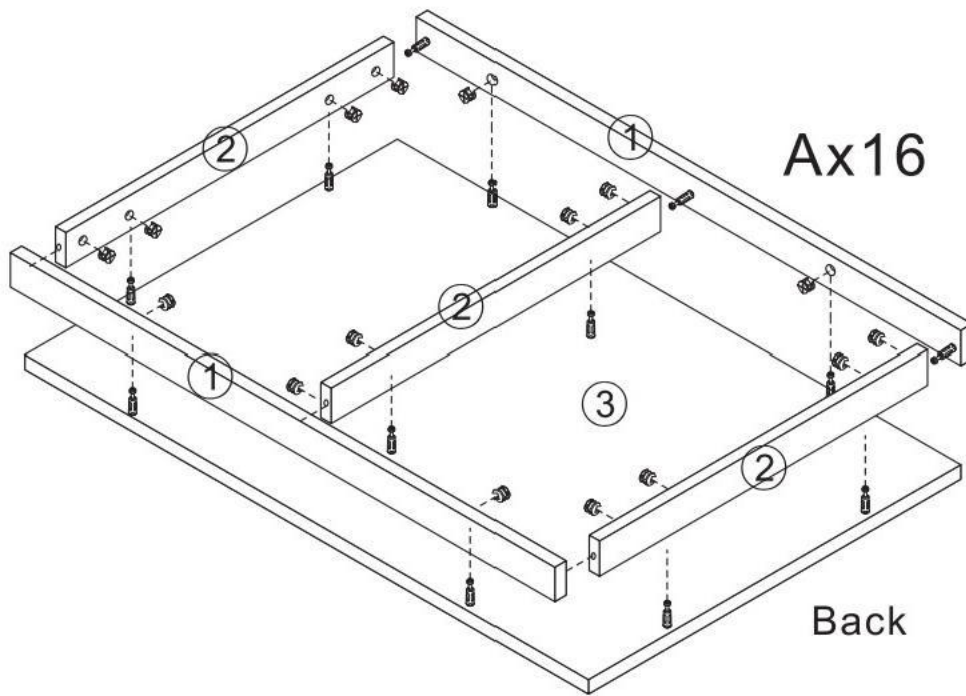
23 x 2



Bx4

<b>B</b>	<b>82PCS</b>
6*28mm	

2

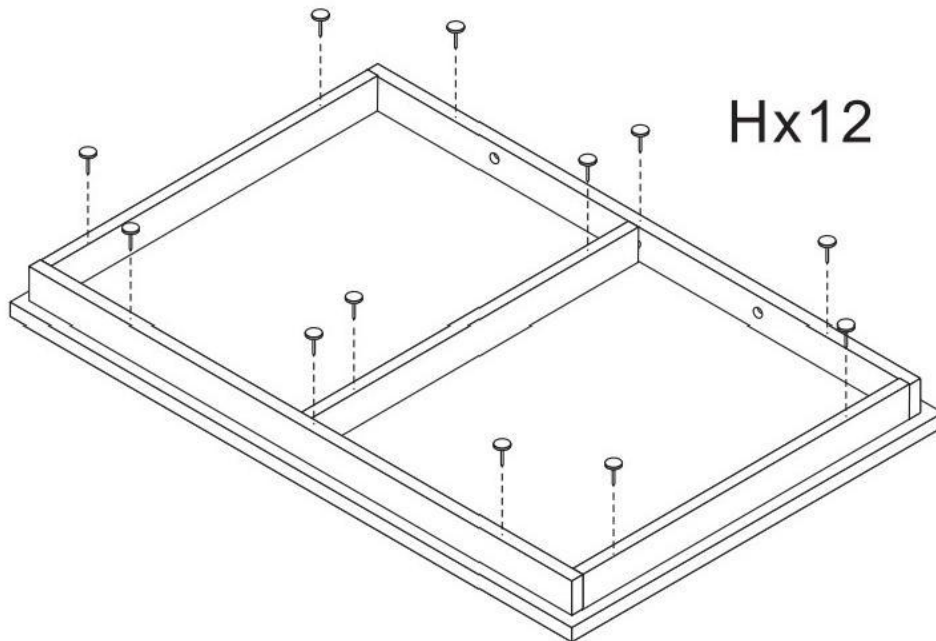


**A** 16PCS



15\*10mm

3

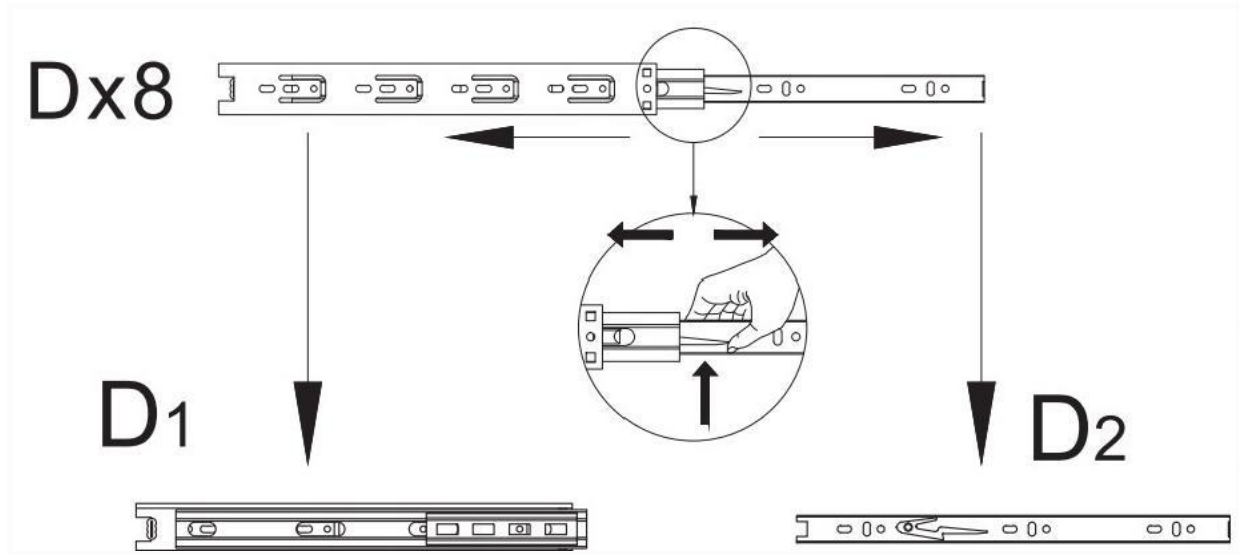


**H** 12PCS



φ 15mm

4

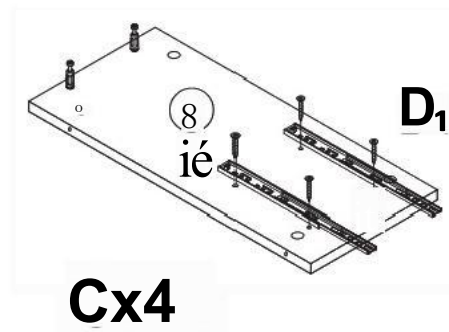
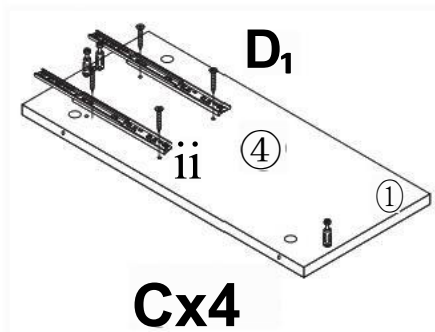
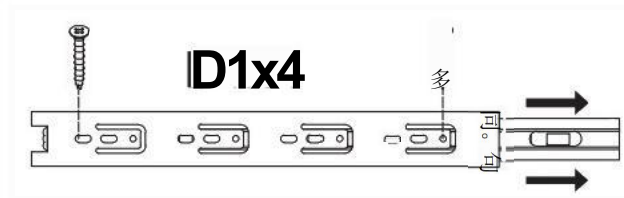


D<sub>1</sub> 4PCS



Three-section Rail

5



C 8PCS



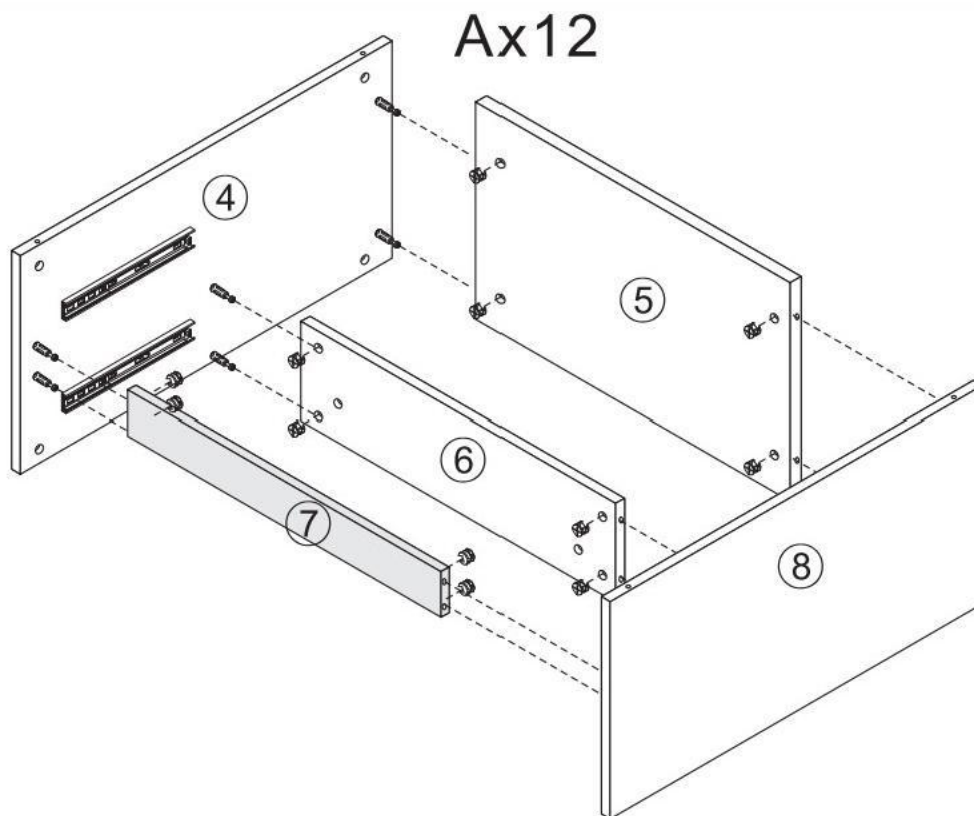
3.5\*14mm


D<sub>1</sub> 4PCS



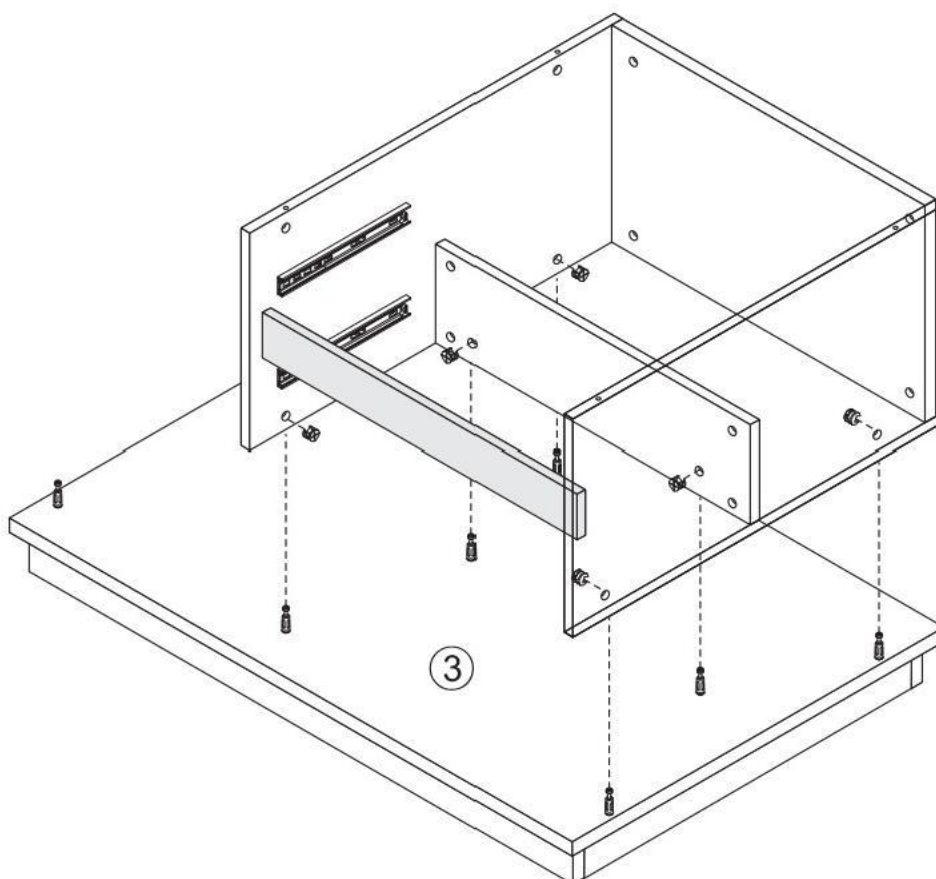
Three-section Rail

6




A	12PCS
	
15*10mm	

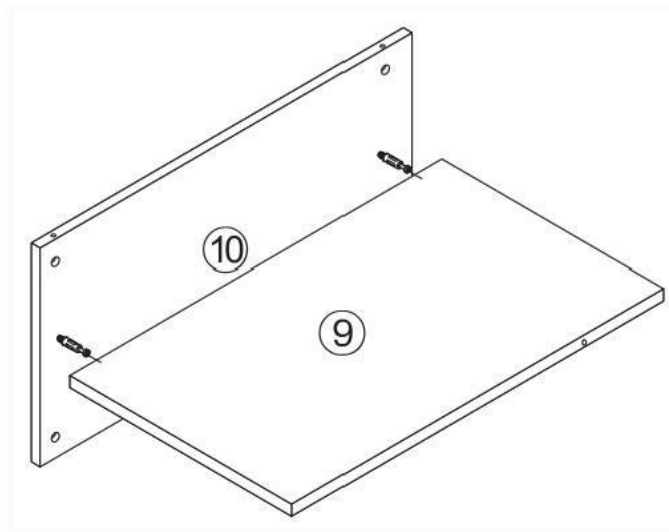
7



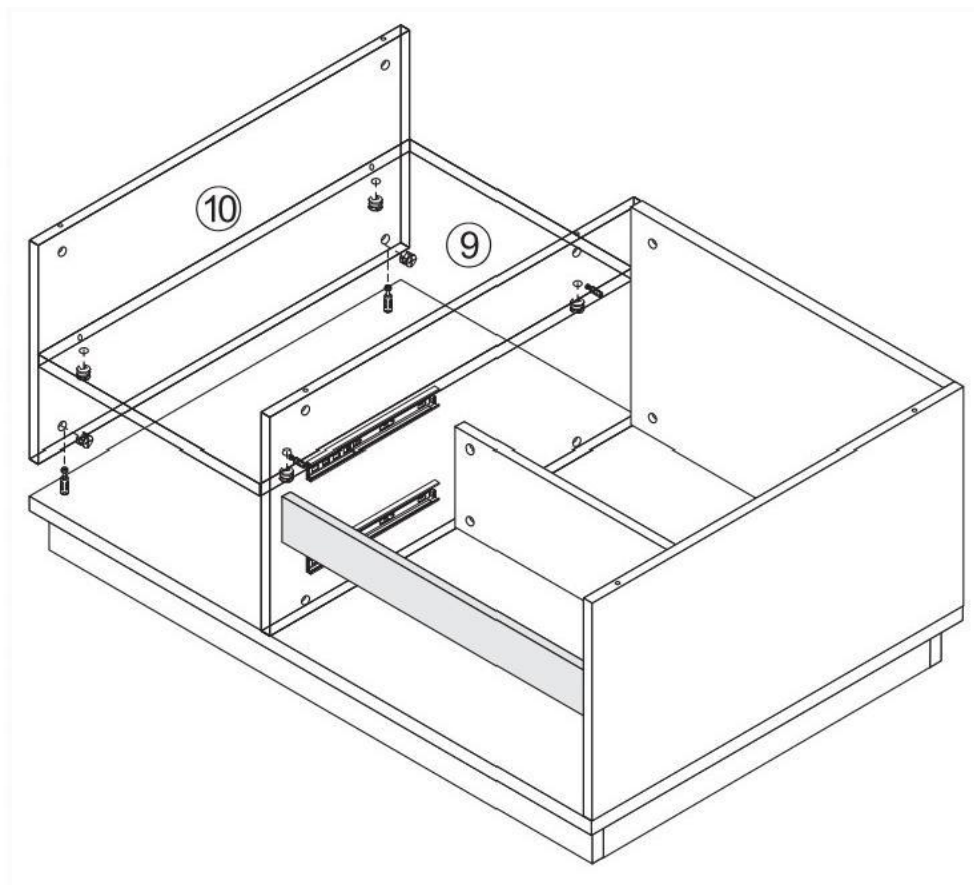
Ax6

A	6PCS
	
15*10mm	


8

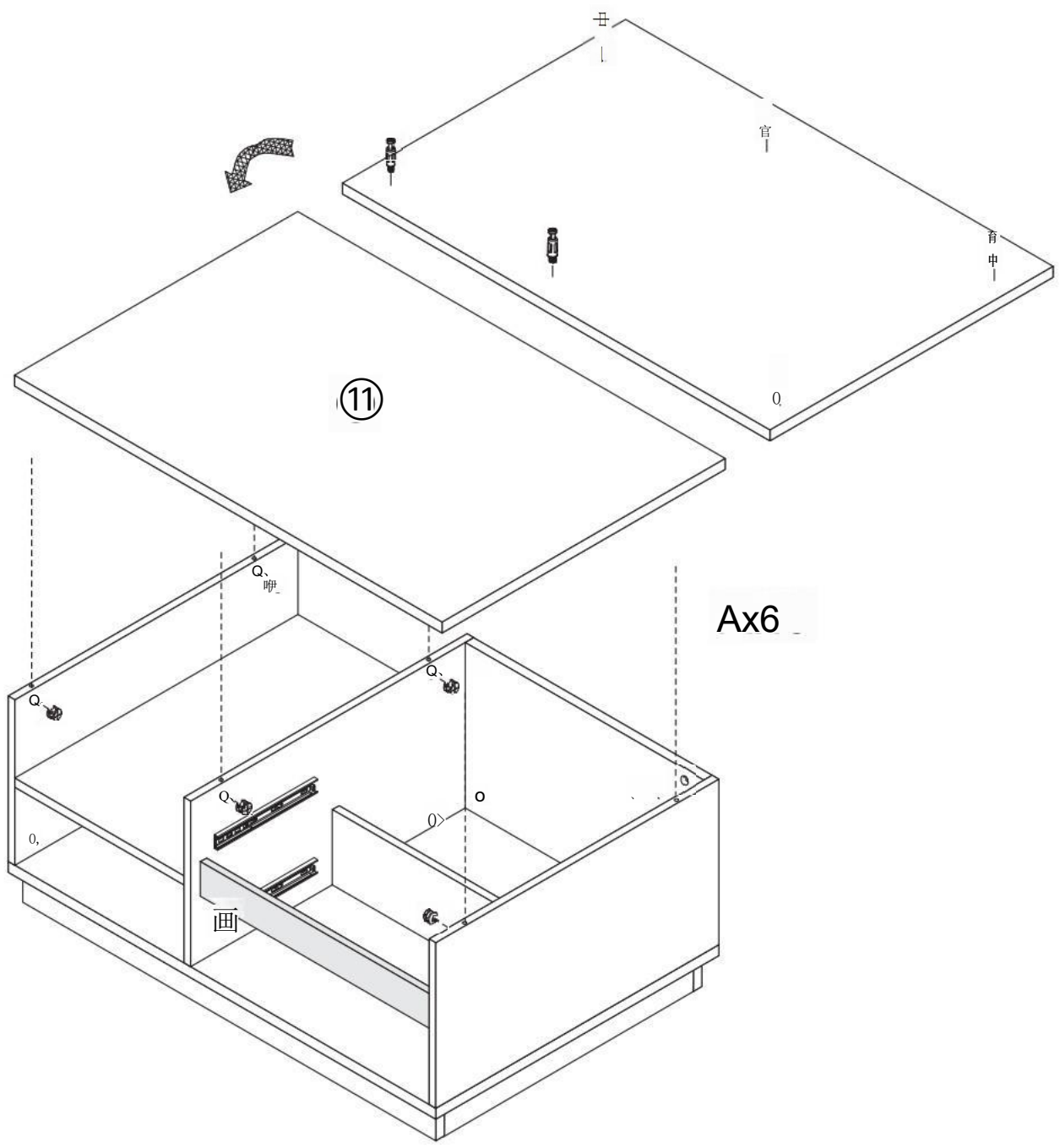



9



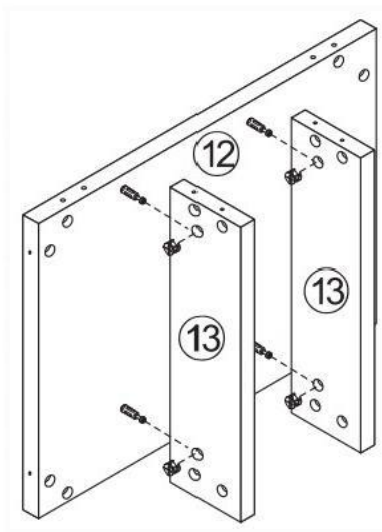
Ax6

A	6PCS
	
15*10mm	




A	6PCS
	
15*10mm	

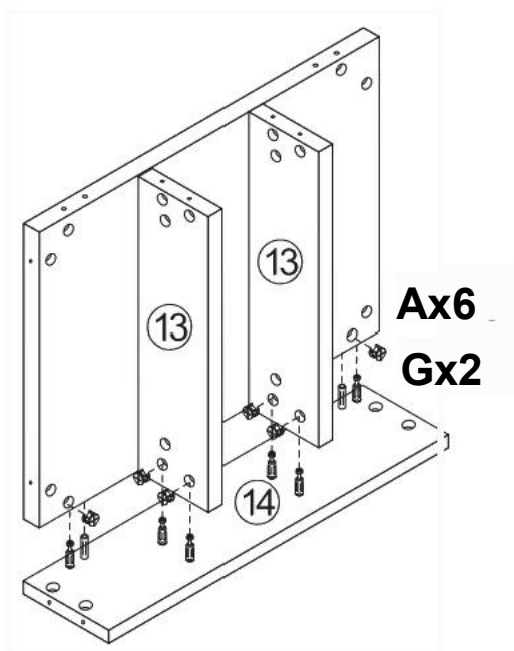
11





Ax4

A	4PCS
	
15*10mm	

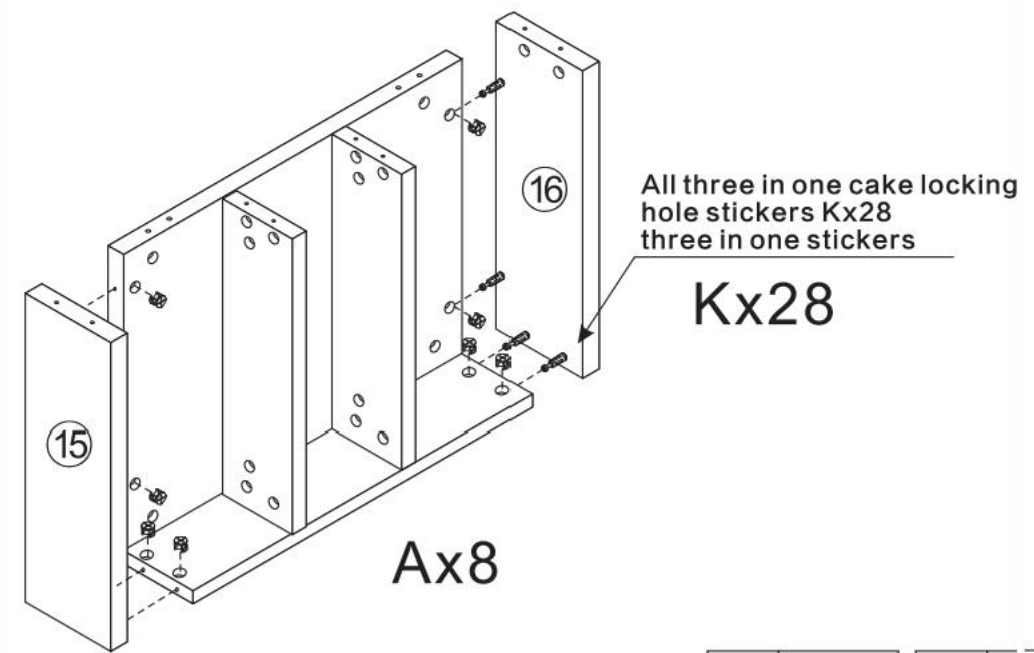
12



Ax6  
Gx2



A	6PCS	G	2PCS
			
15*10mm		8*30mm	

13

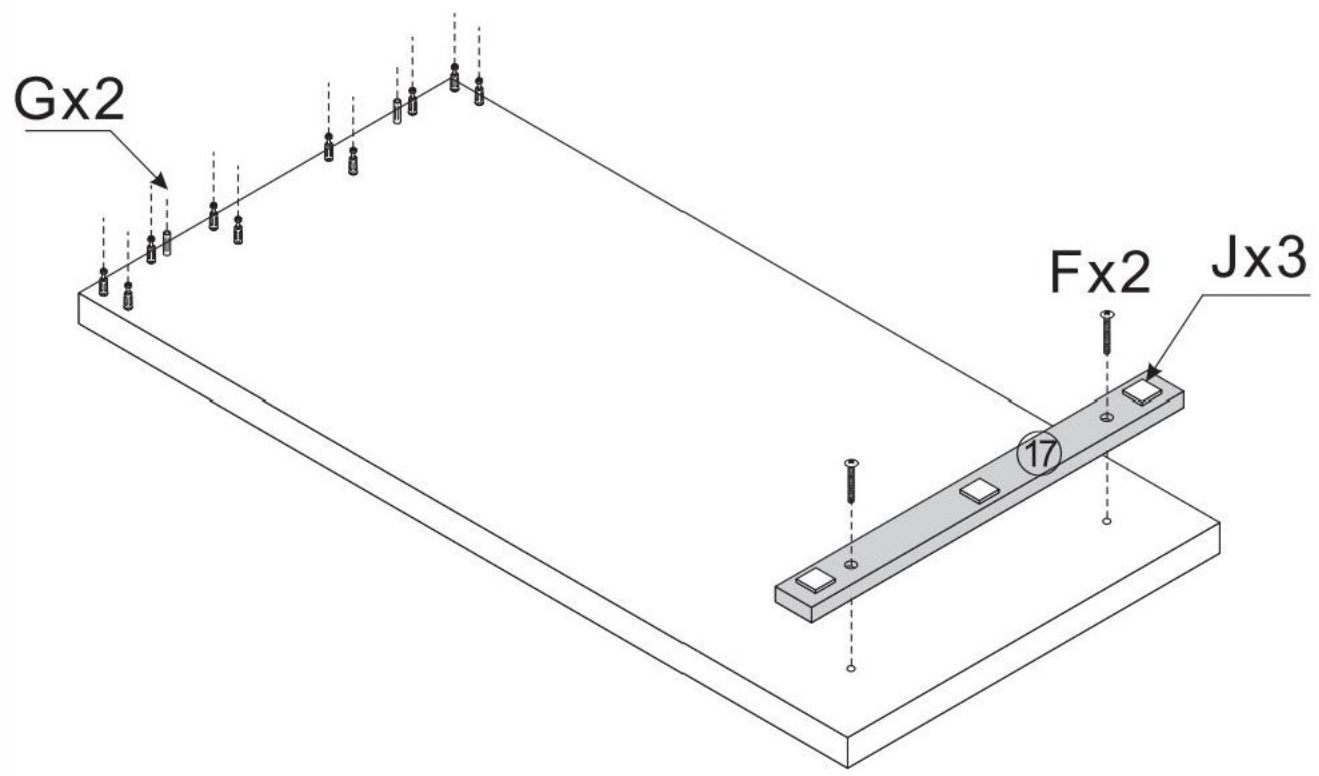





Kx28

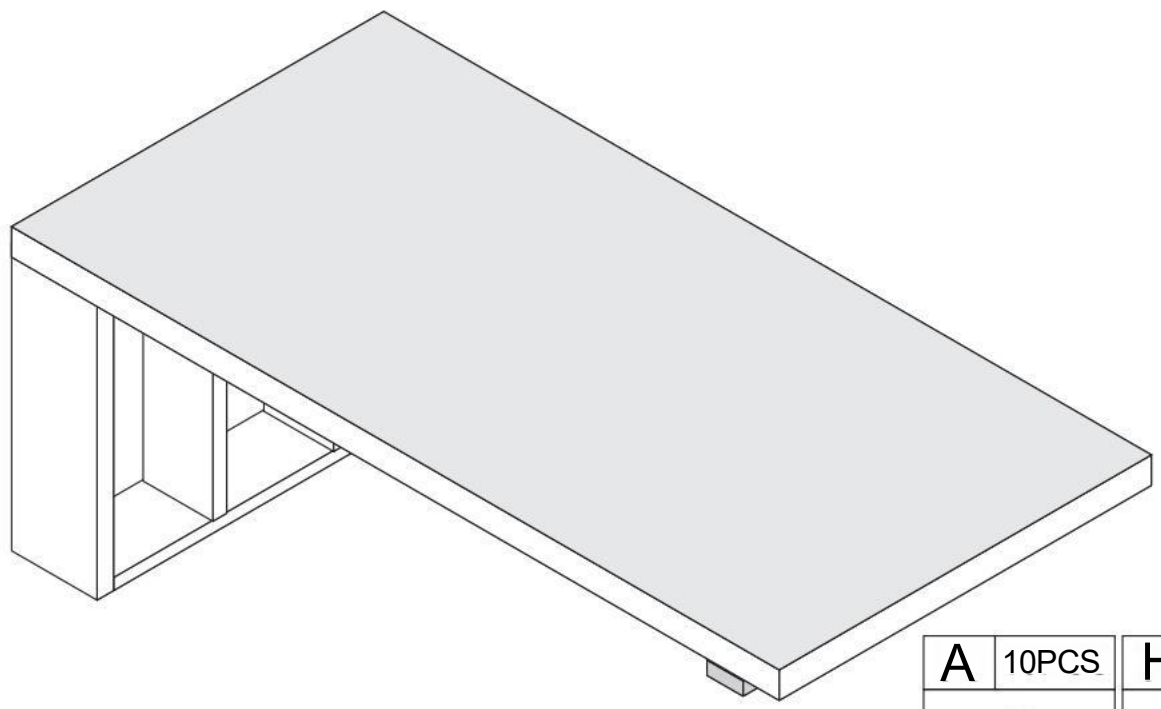
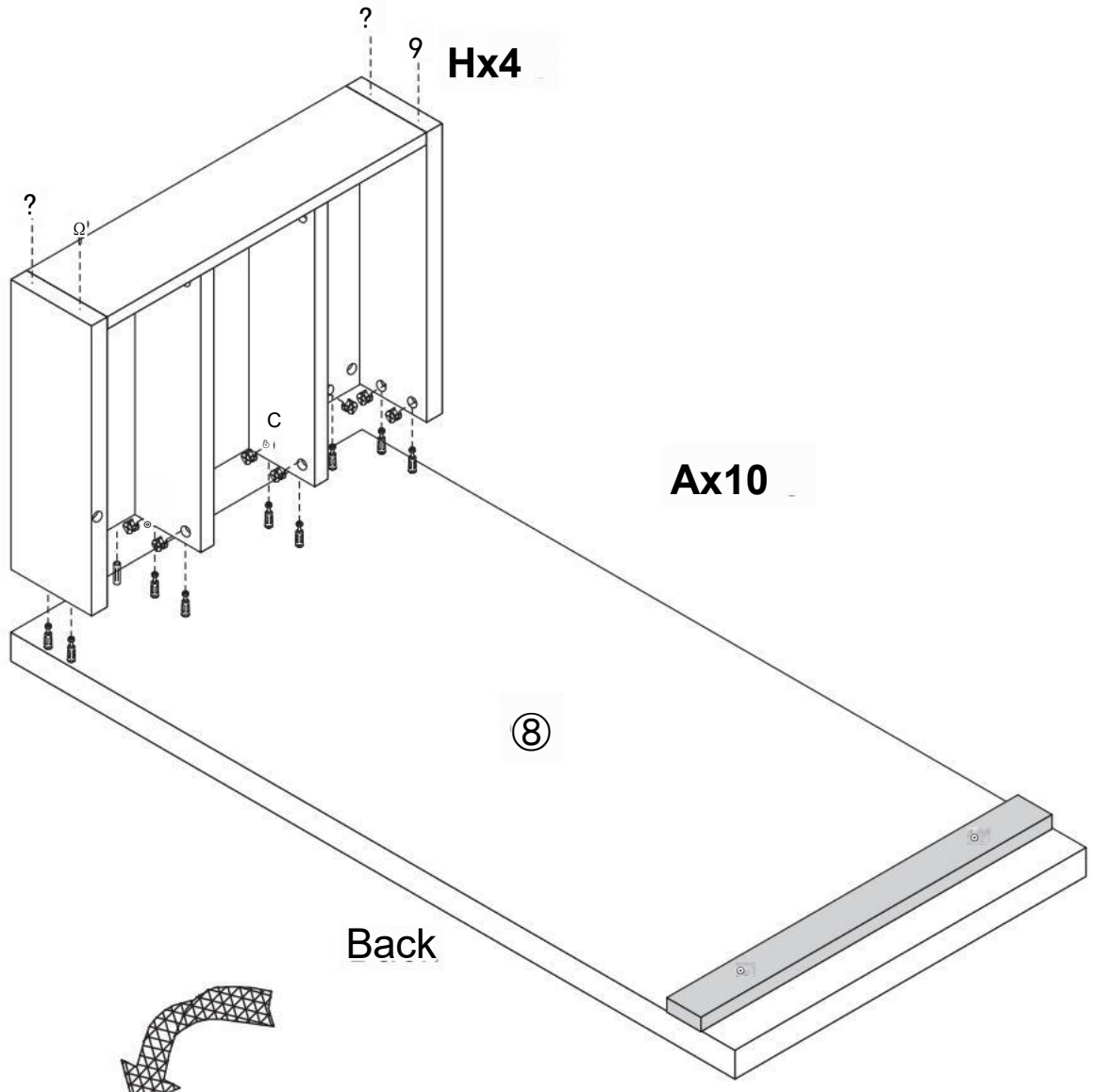
Ax8



<b>A</b>	8PCS	<b>K</b>	28PCS
			
15*10mm		Three in one sticker	

14

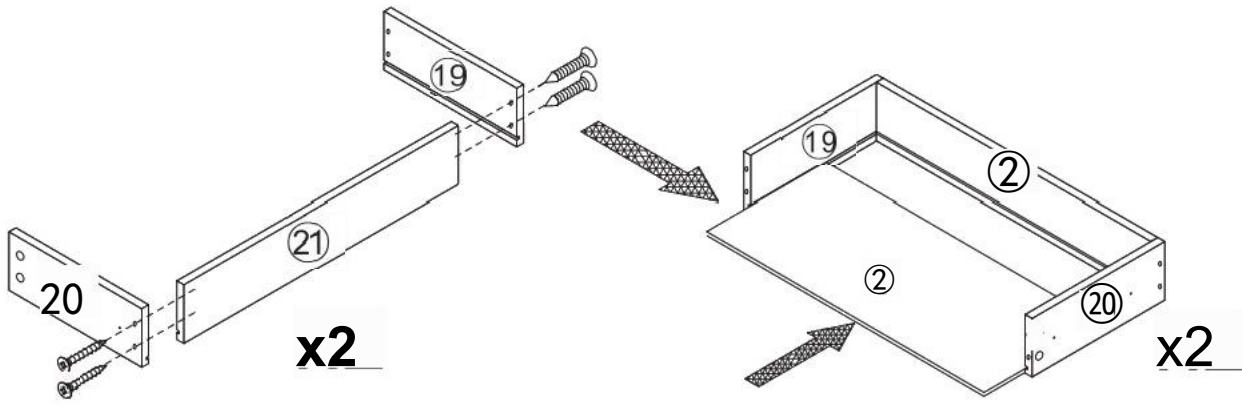


<b>F</b>	2PCS	<b>G</b>	2PCS	<b>J</b>	3PCS
					
M6*60mm		8*30mm		Foam pad	

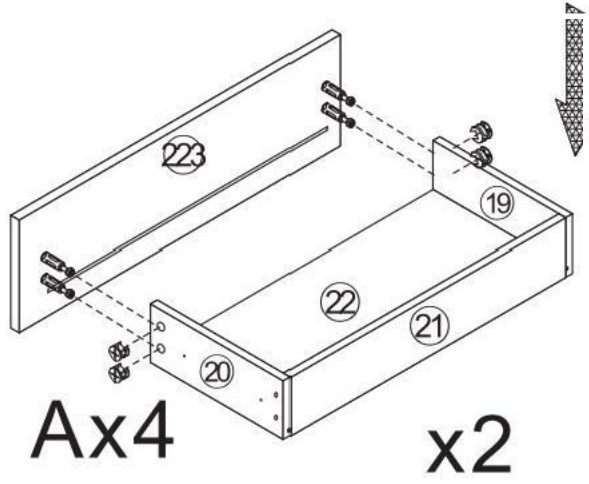




<b>A</b>	10PCS	<b>H</b>	4PCS
			
15*10mm		φ 15mm	

16

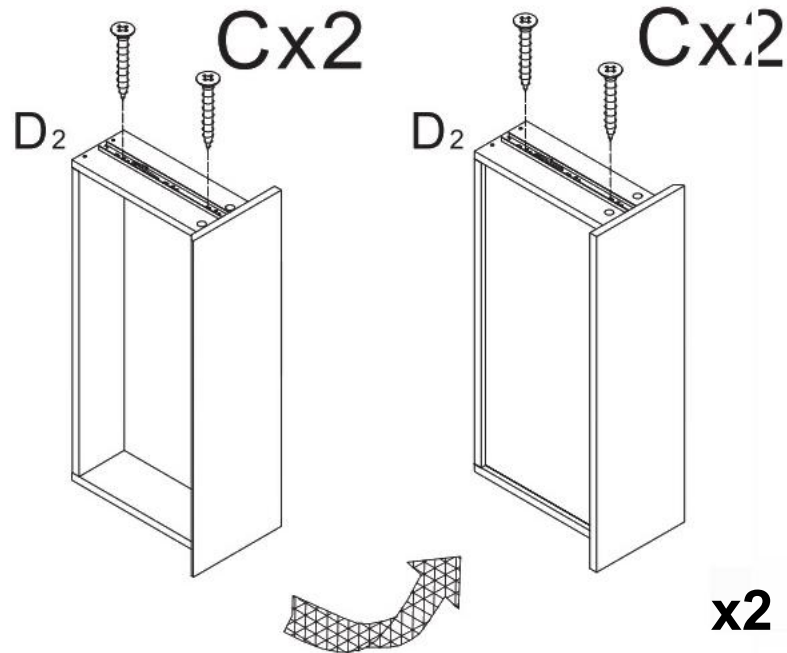




Ex4



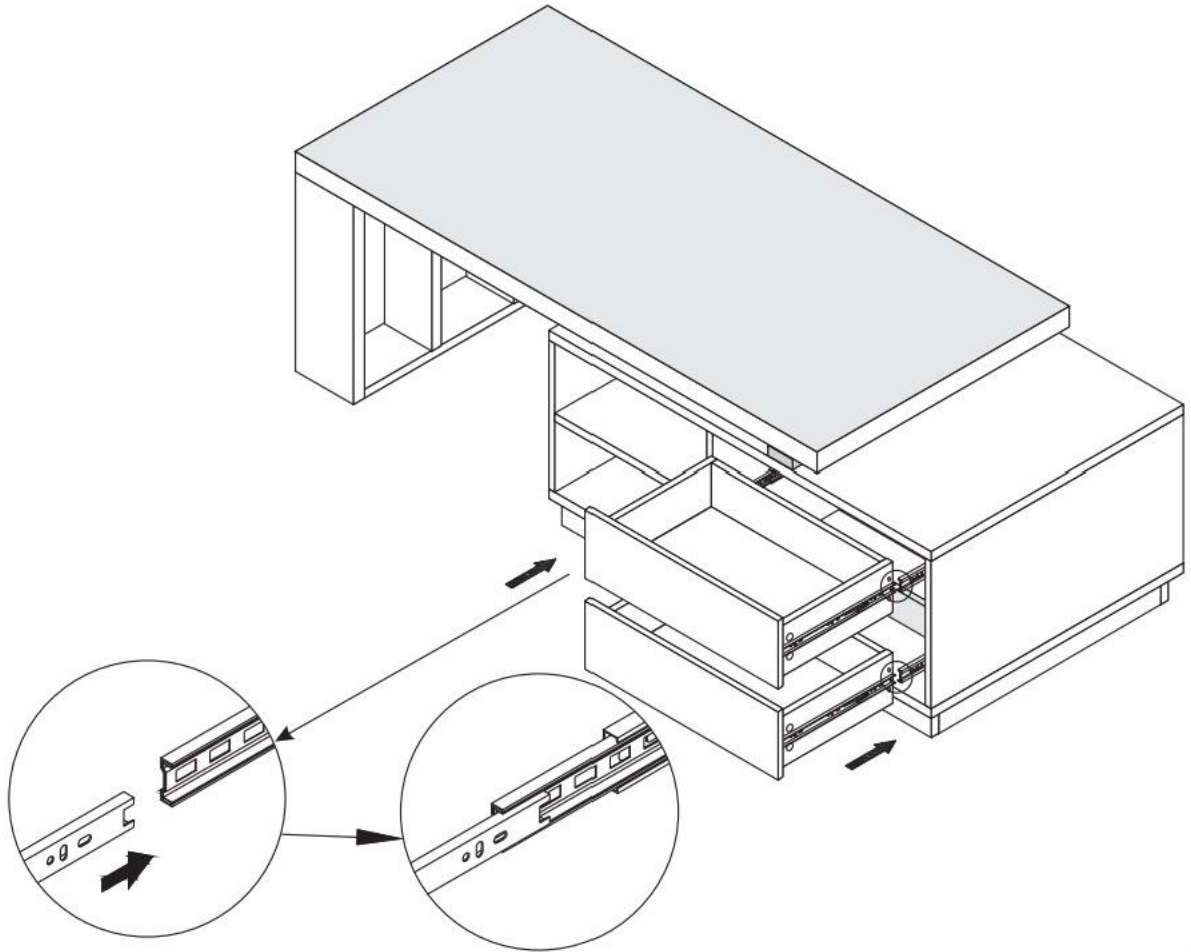
<b>A</b>	<b>8PCS</b>	<b>E</b>	<b>8PCS</b>
			
15*10mm		3.5*40mm	

17

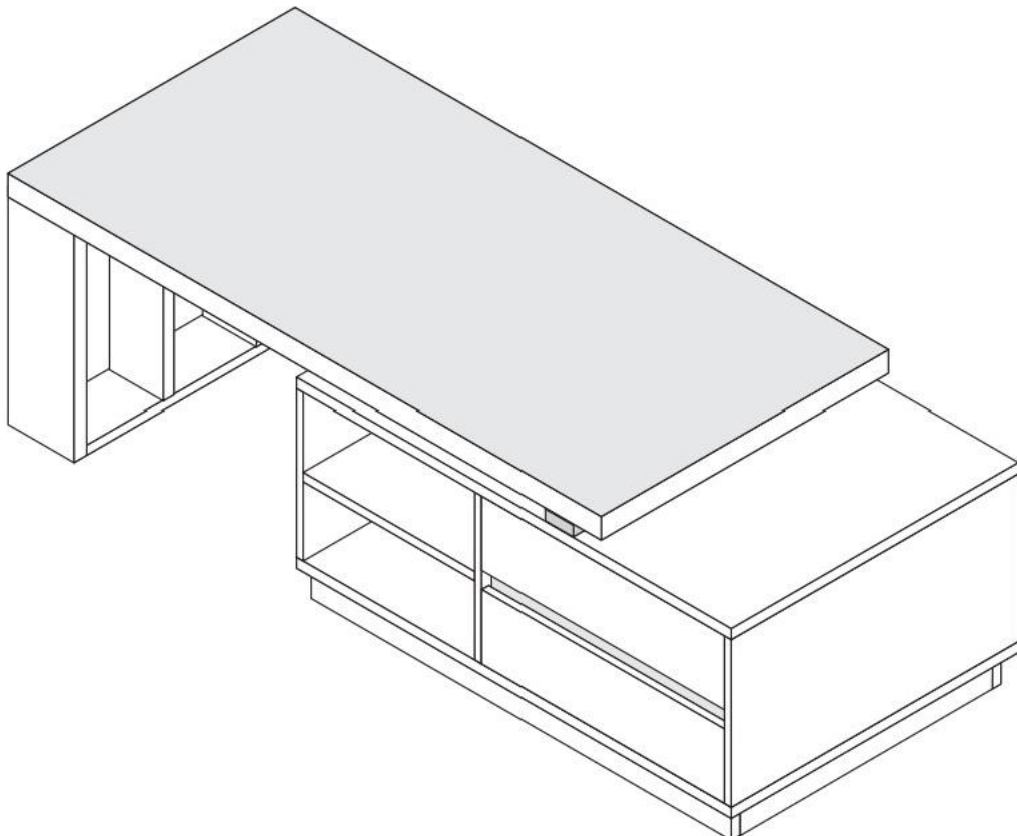


<b>C</b>	<b>8PCS</b>	<b>D<sub>2</sub></b>	<b>4PCS</b>
			
3.5*14mm		Three-section Rail	

16



17



**OK**