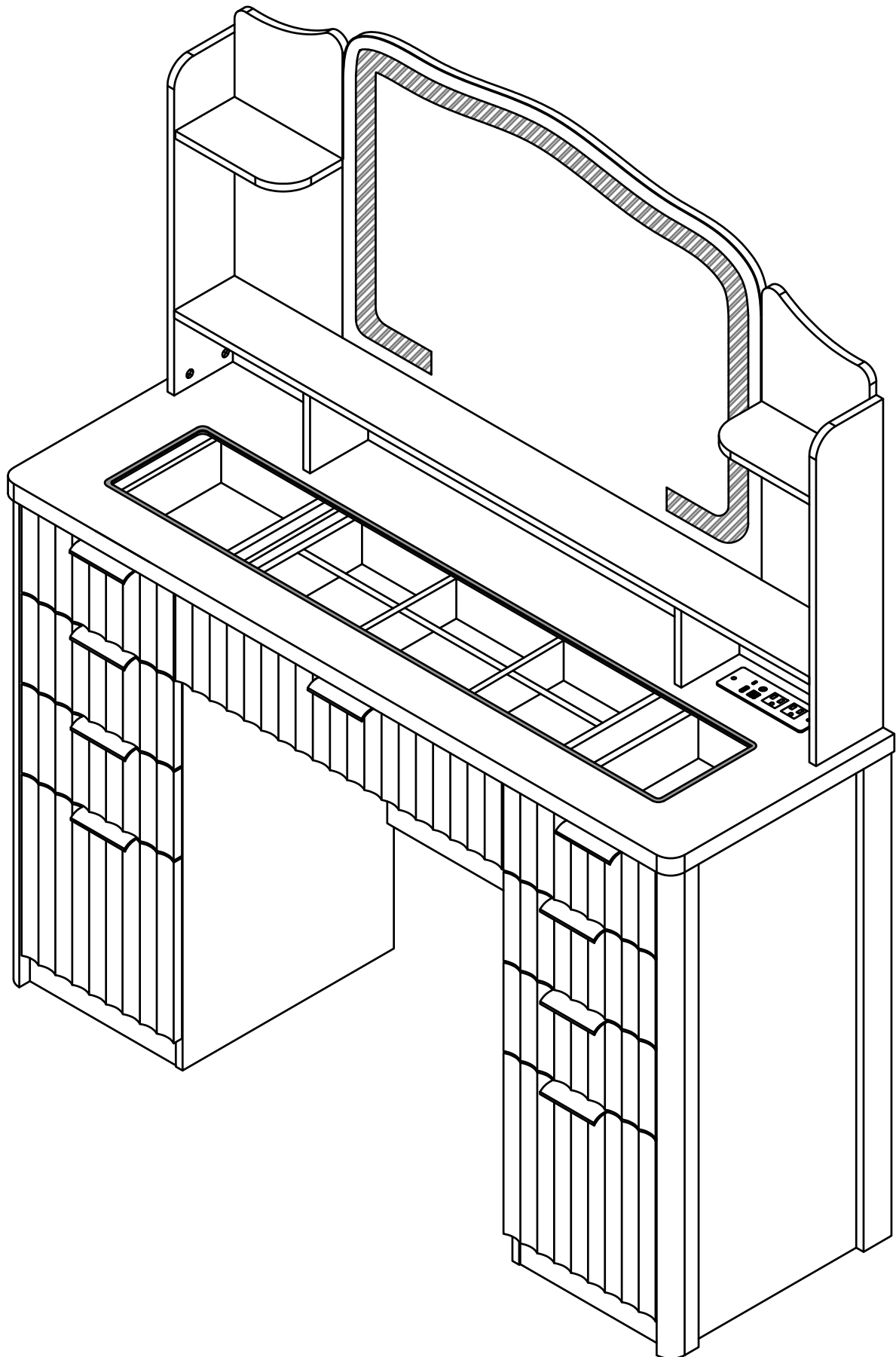
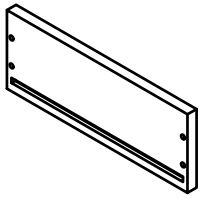
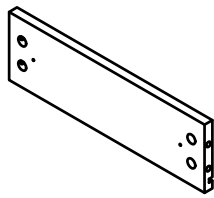


Product Installation Instructions





1x6



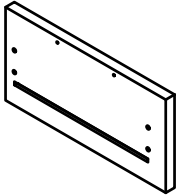
2x14



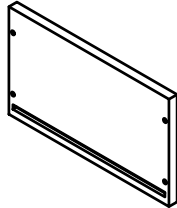
3x6



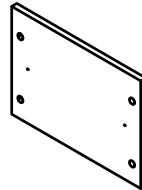
3Ax2



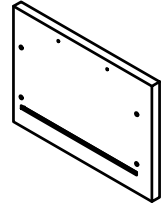
4x3



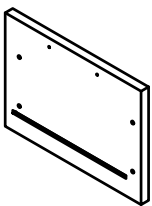
5x2



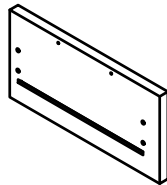
6x4



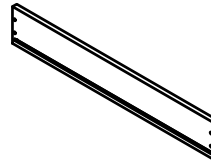
7x1



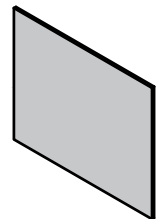
8x1



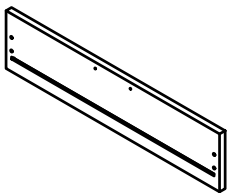
9x3



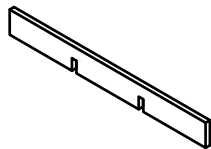
10x1



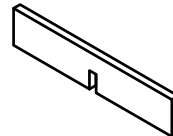
11x1



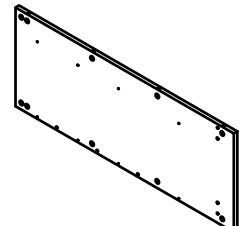
12x1



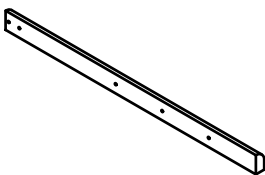
13x1



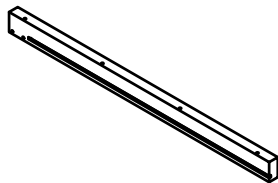
14x2



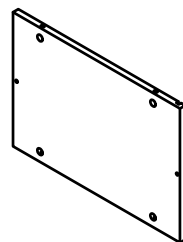
15x1



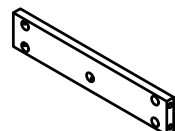
16x1



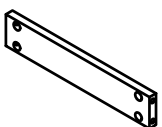
17x1



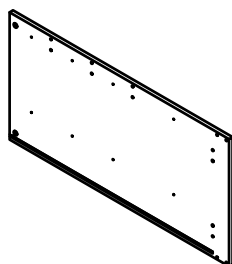
18x2



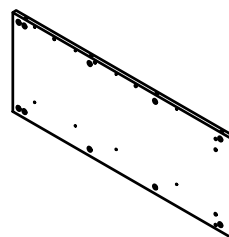
19x4



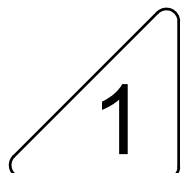
20x6



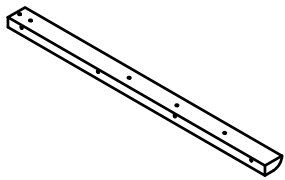
21x1



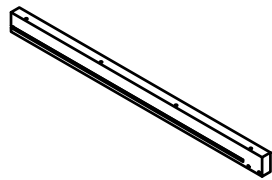
22x1



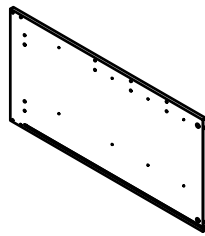
1



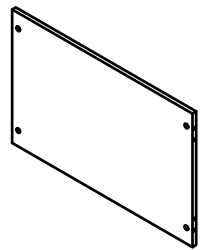
23x1



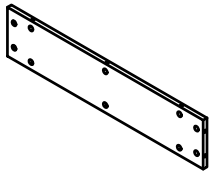
24x1



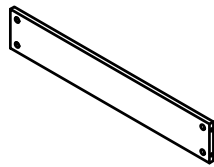
25x1



26x1



27x1



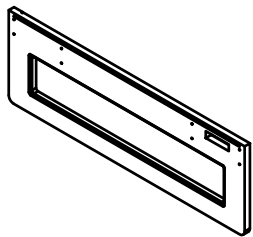
28x1



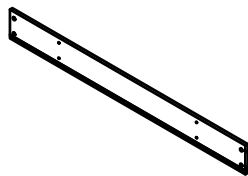
29x1



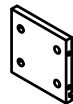
30x1



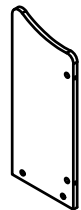
31x1



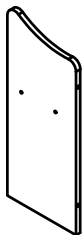
32x1



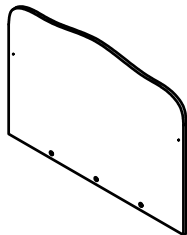
33x2



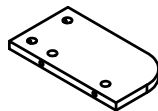
34x1



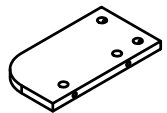
35x1



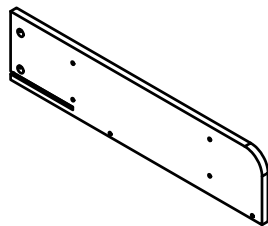
36x1



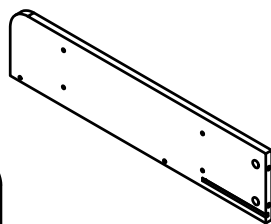
37x1



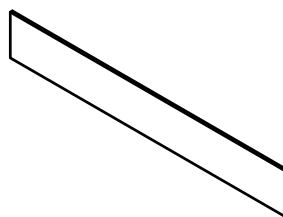
38x1



39x1

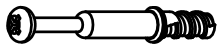

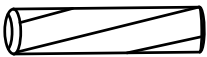




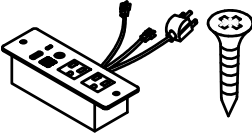
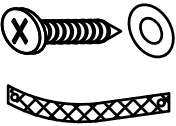



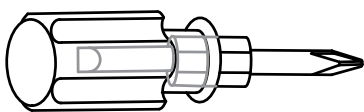
40x1



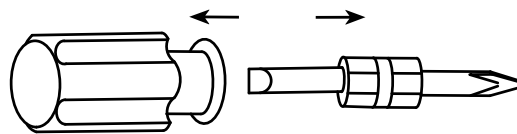
41x1

Accessories list

A		Two In One Screw (6x28mm)	201pcs +6pcs
B		Two In One Nut (10x12mm)	201pcs +6pcs
C		Wood Chipping (6x30mm)	8pcs +1pcs
D		Handle & Screw (3x10mm)	18pcs +2pcs 9pcs
E		Screw & Guide(12inch) (3x12mm)	90pcs +5pcs 18pcs
F		Fixing clip & screw (3x16mm)	11pcs +2pcs
G		Iron Sheet & Screw (3x10mm)	4pcs +1pcs 2pcs
H		Power Socket & Screw (3x10mm)	2pcs 1pcs
I		Countersunk head tapping screw (4x16mm) gasket anti-tipping tape	1pcs 1pcs
J		Countersunk head tapping screw (4x45mm)	1pcs

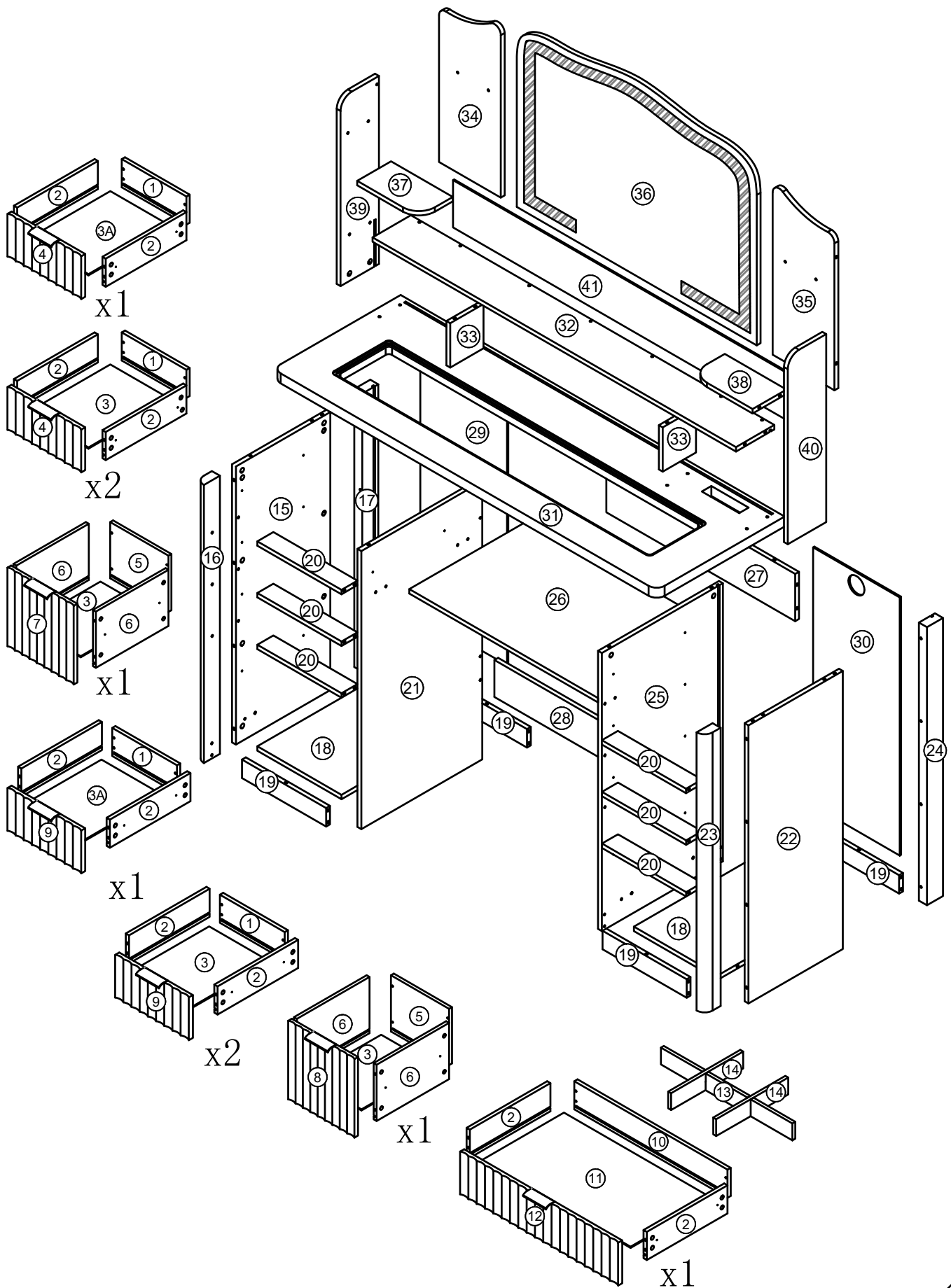








1pcs

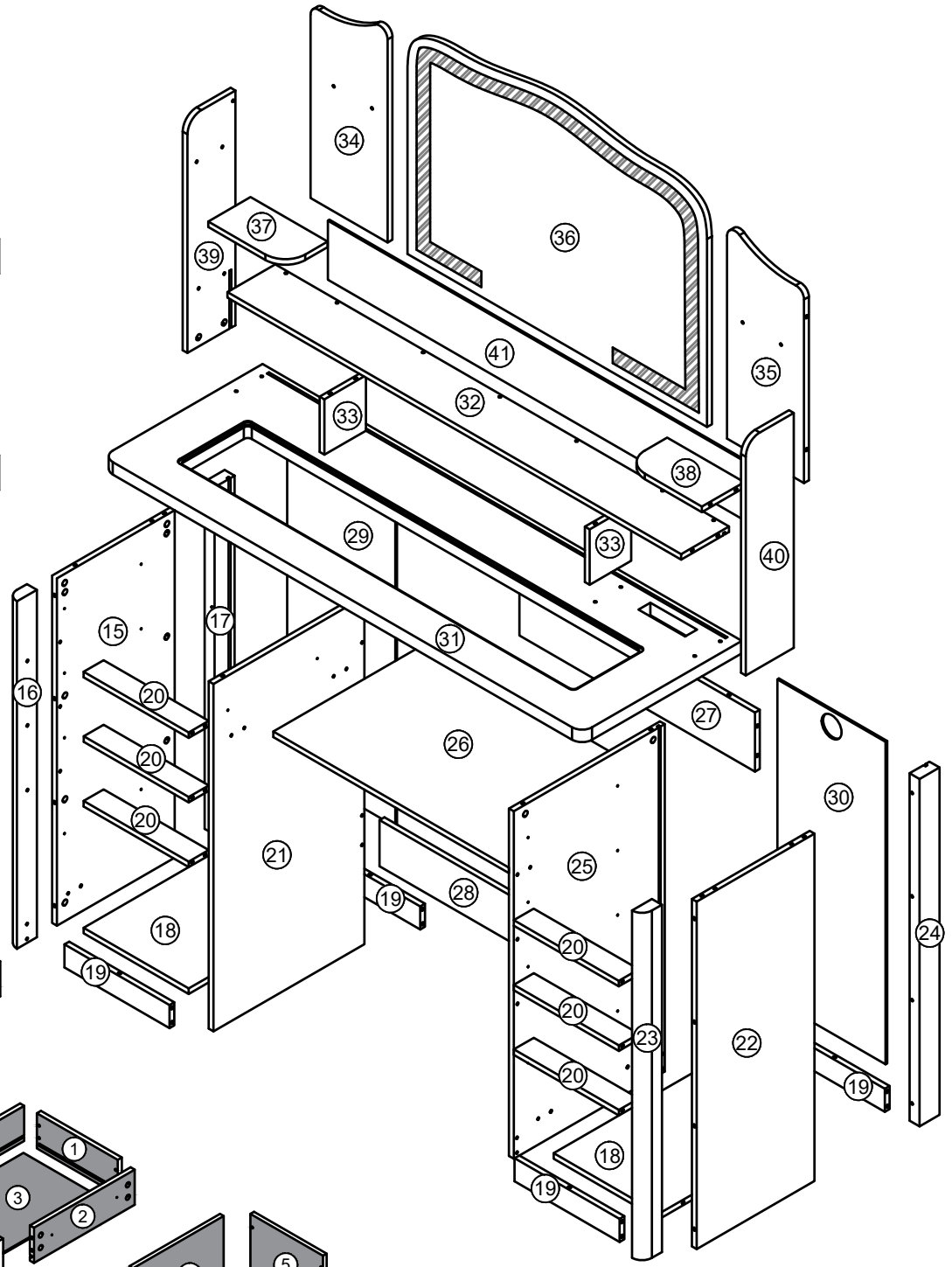
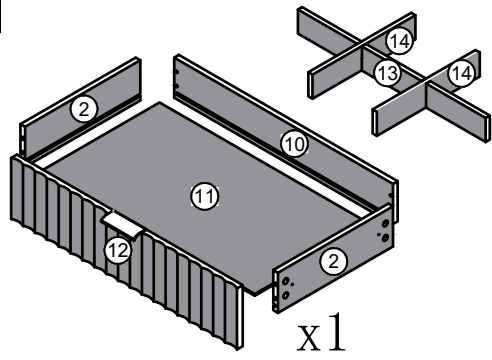
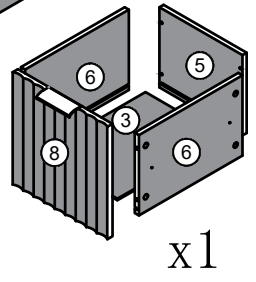
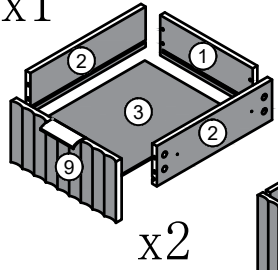
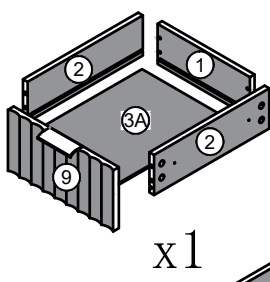
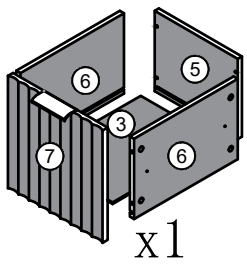
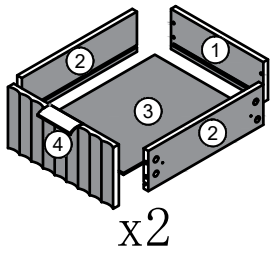
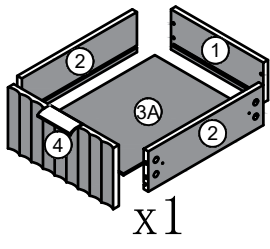


Double-head screwdriver, use as required

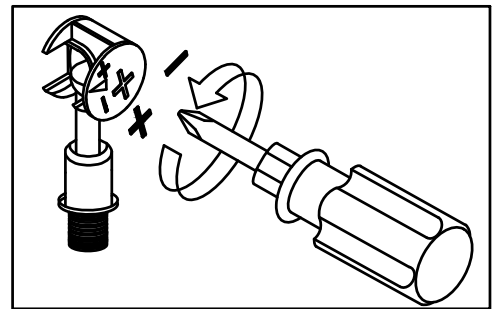
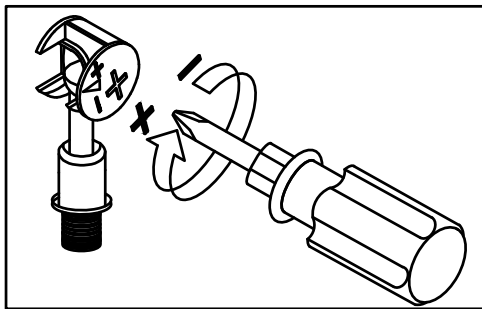
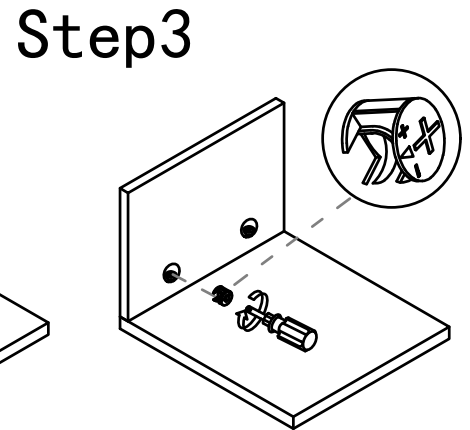
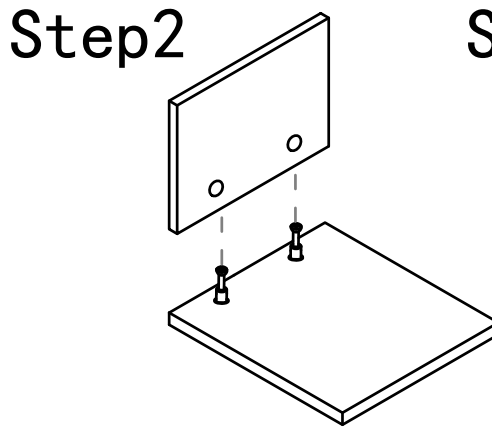
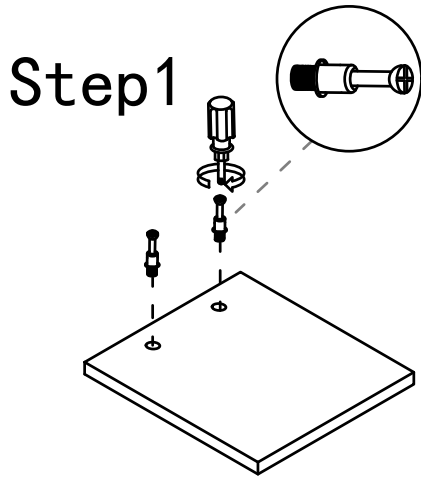
Product structure decomposition



<p>A</p>		<p>72pcs</p>	<p>B</p>		<p>72pcs</p>
<p>D</p>	 9pcs	 18pcs	<p>E</p>	 18pcs	 36pcs

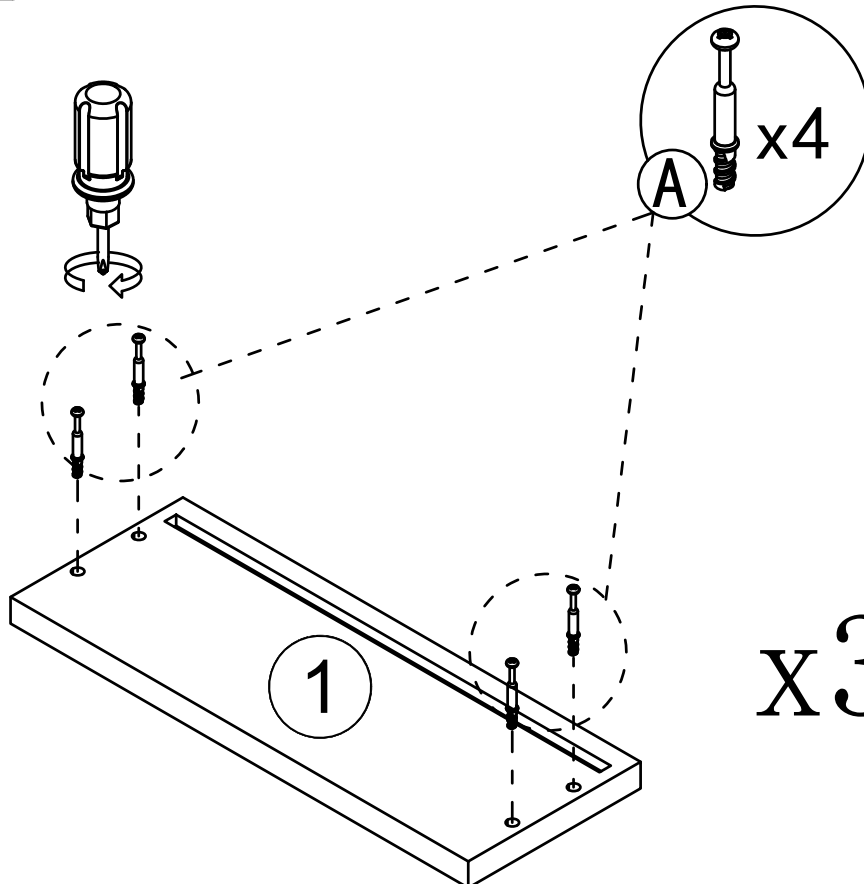
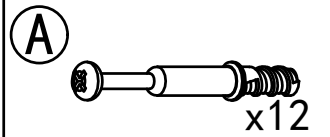


Screw installation method

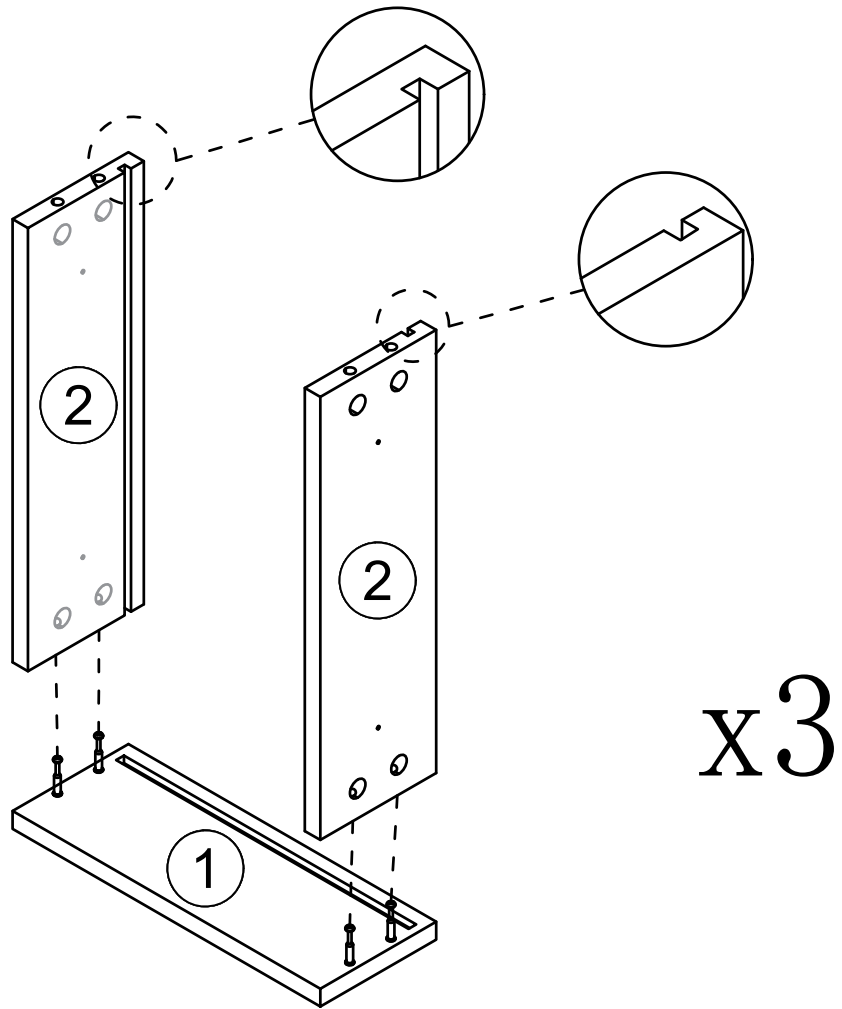


Use a screwdriver to lock in the direction of of "-" sign Disassemble along the direction the "+" sign.

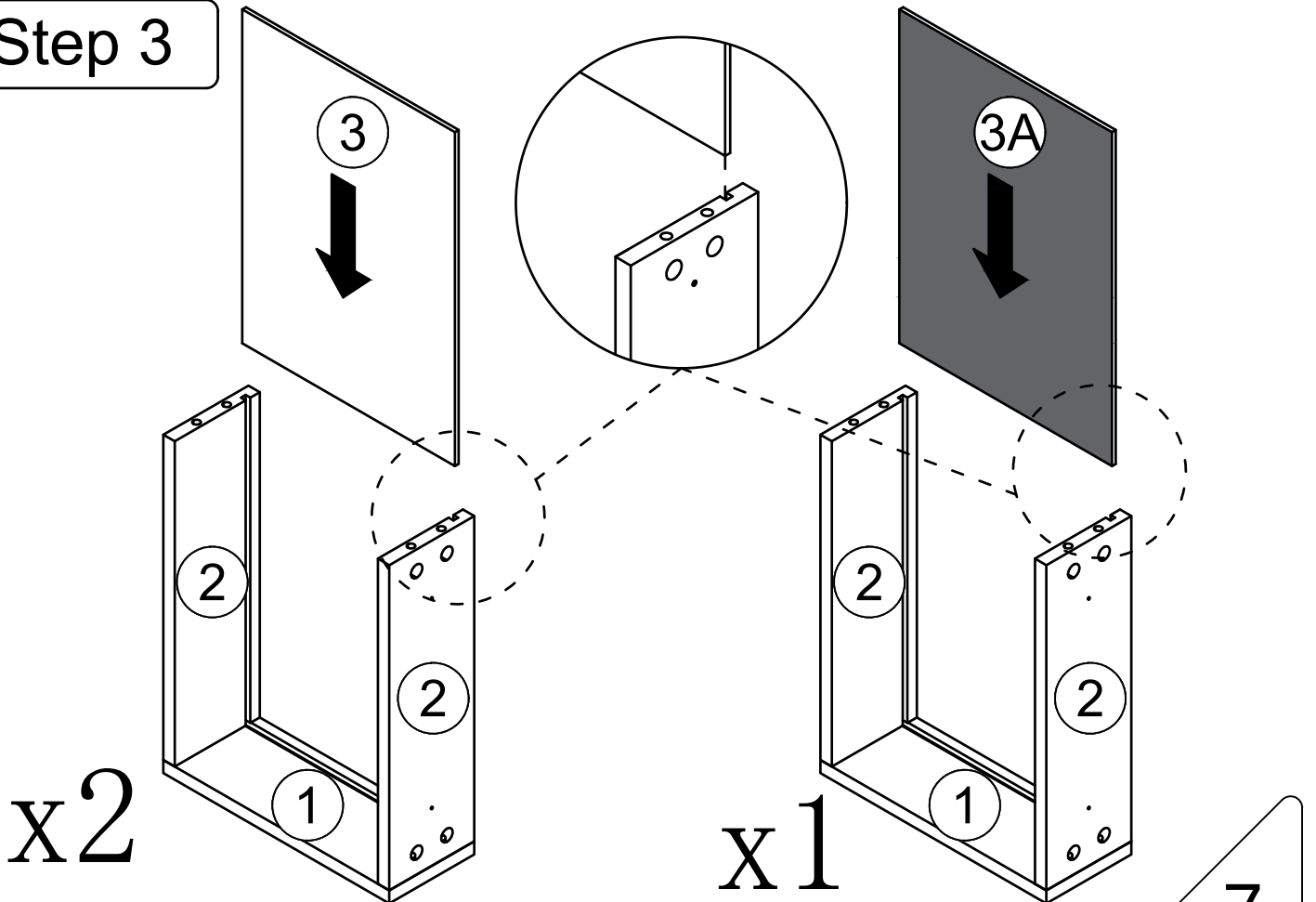
Step 1



Step 2

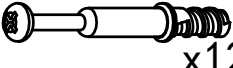




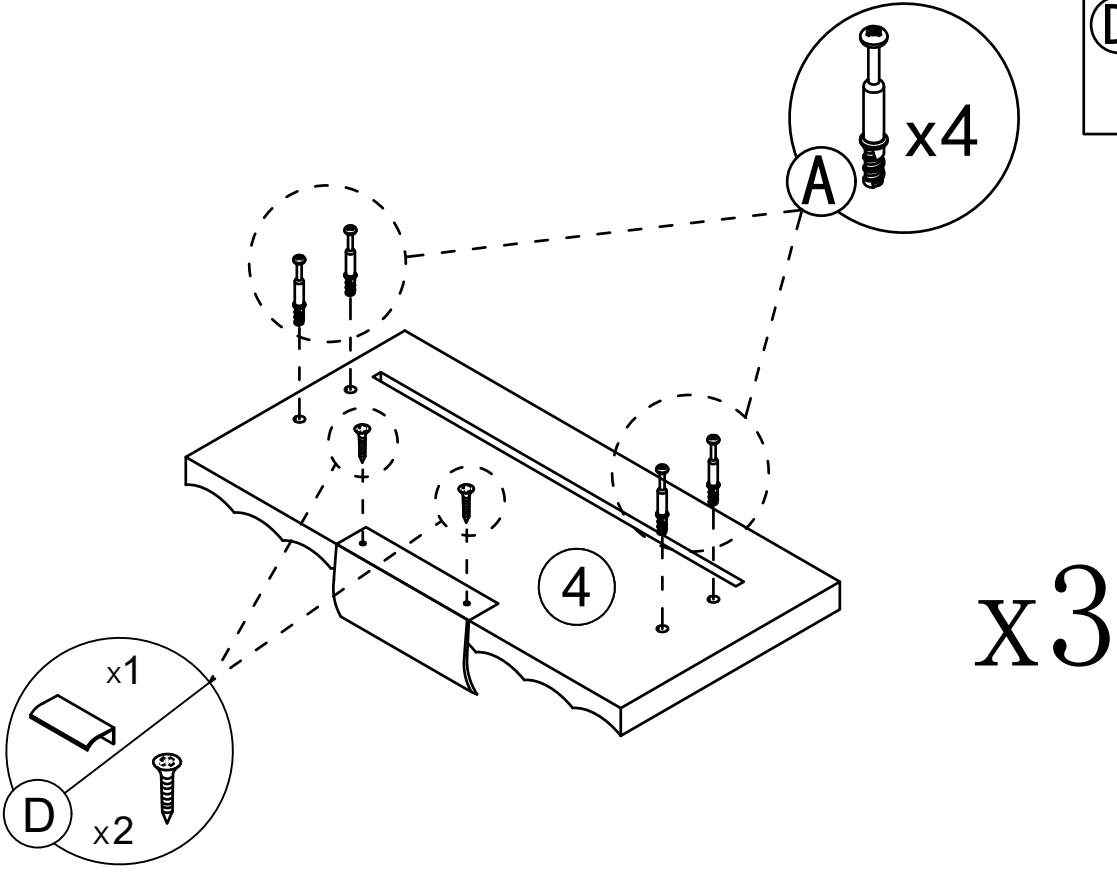
Step 3




The 3A board is placed with the flannel side up

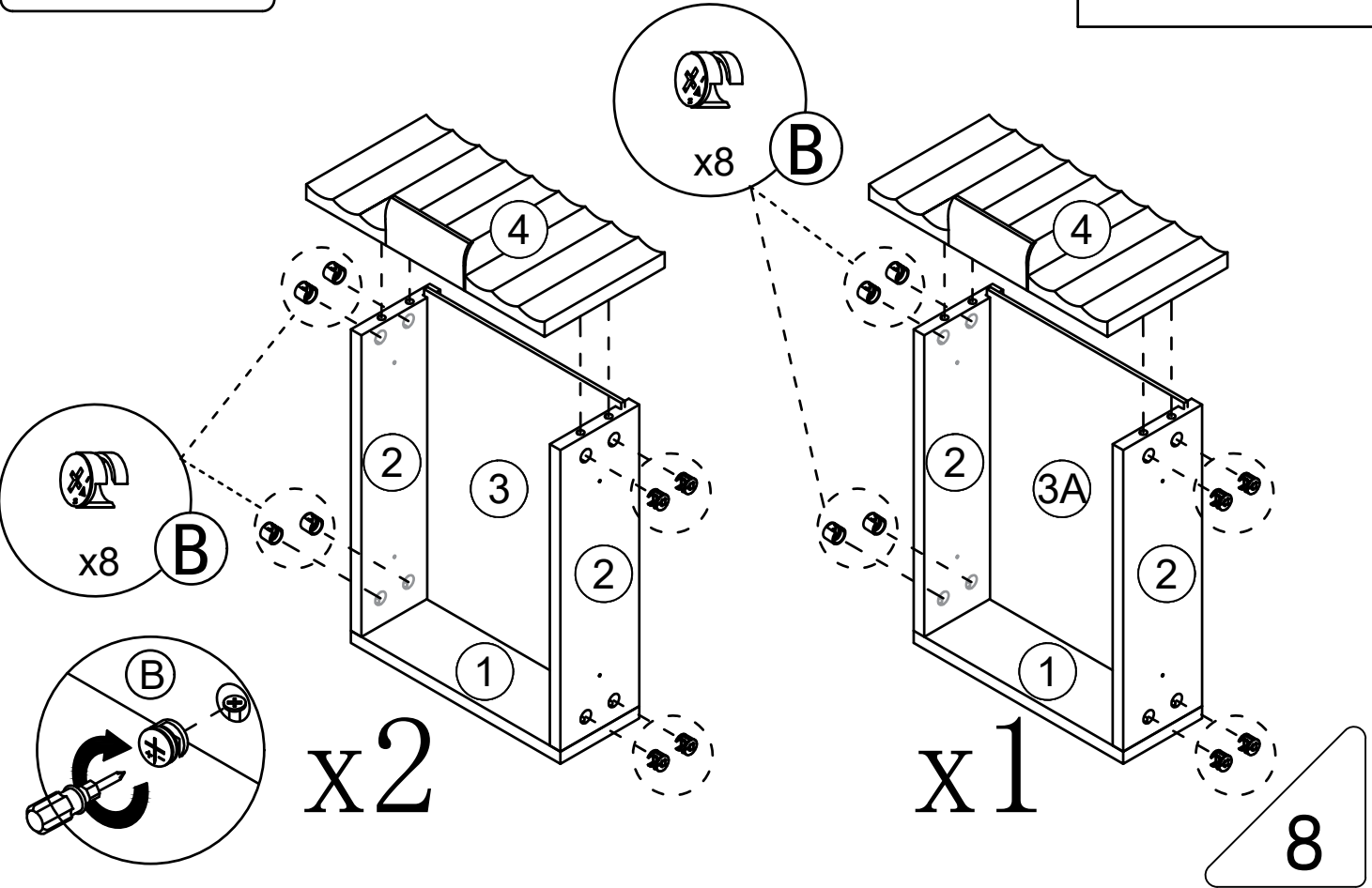
Step 4

- A**  x12
- D**  x3  x6

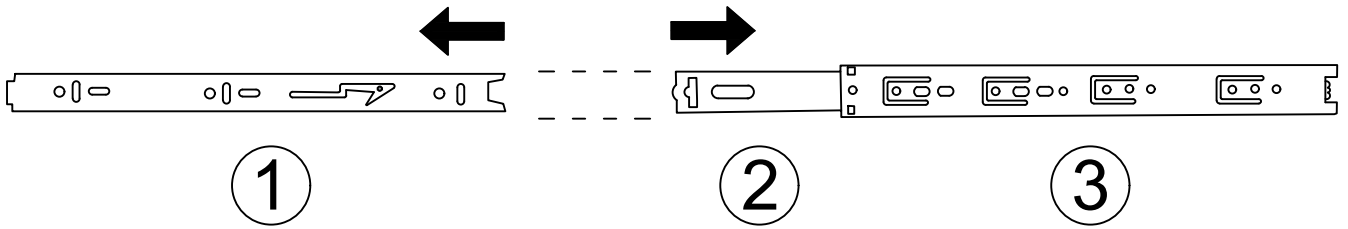


Step 5

- B**  x24

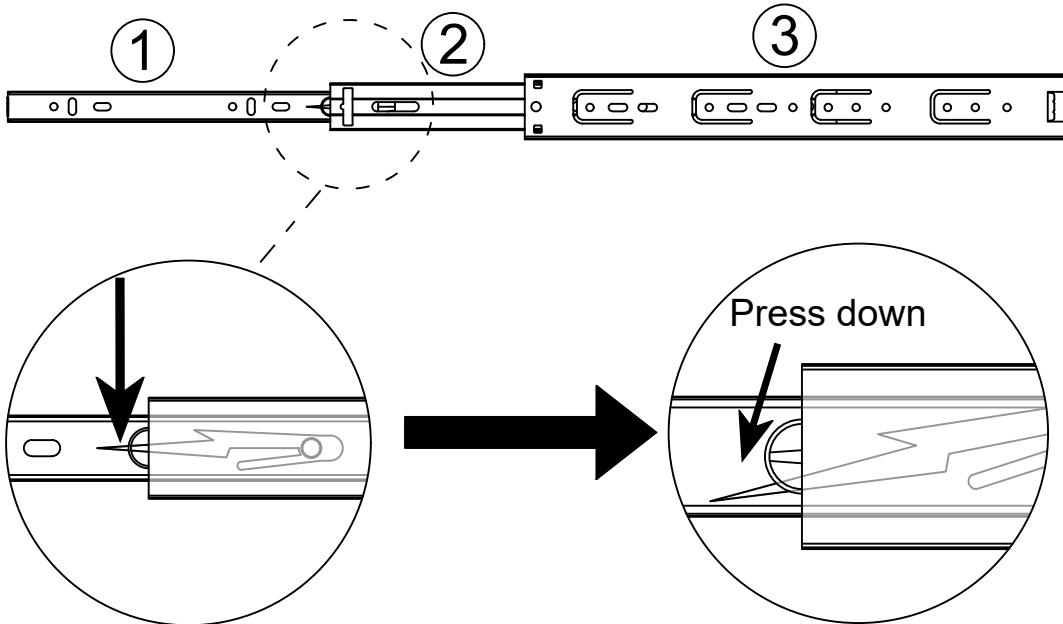


Drawer rail breakdown diagram



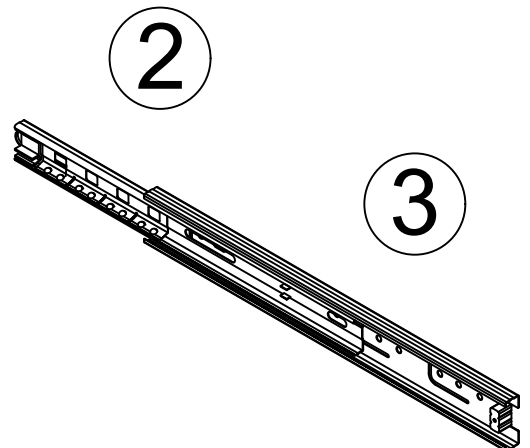
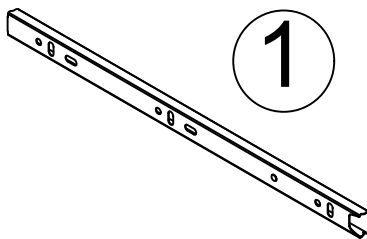
① Dismantle the schematic diagram

Step 1 : Pull the rails apart

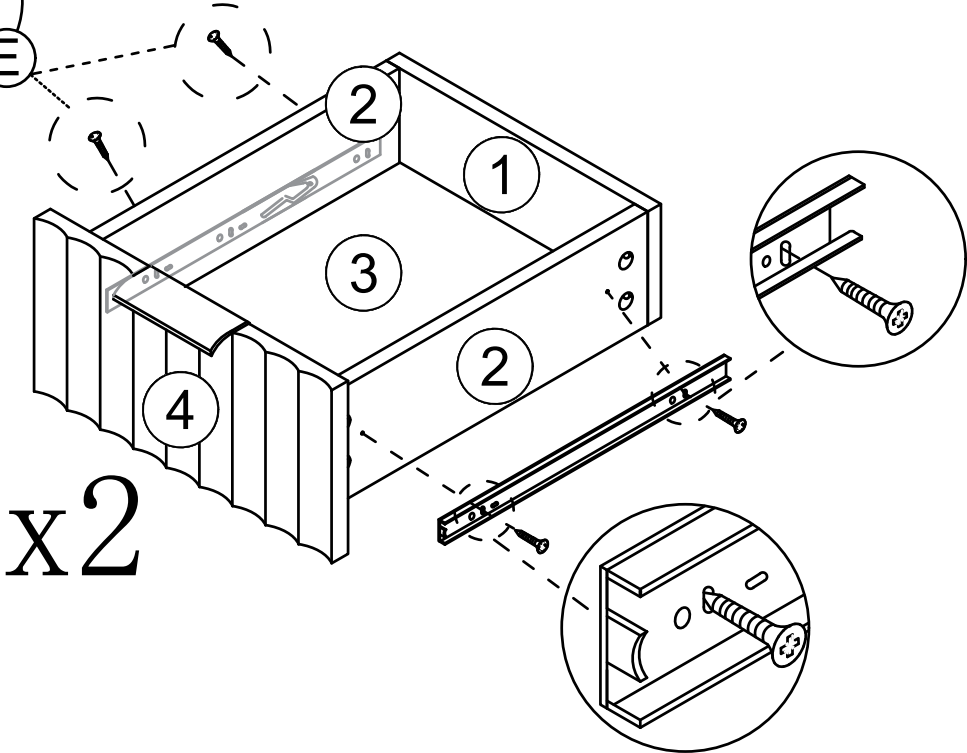
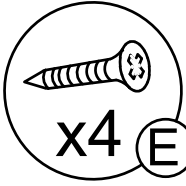
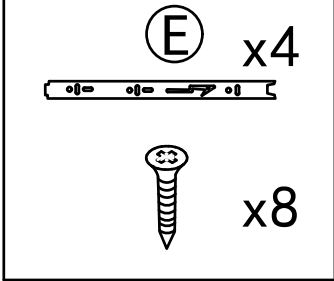
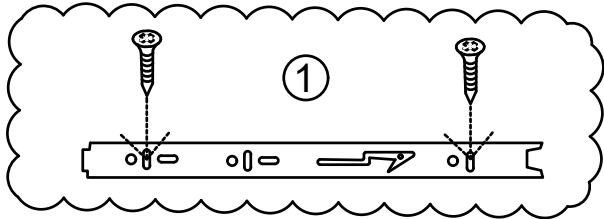


Step 2 : Press the nylon button and pull out ①.

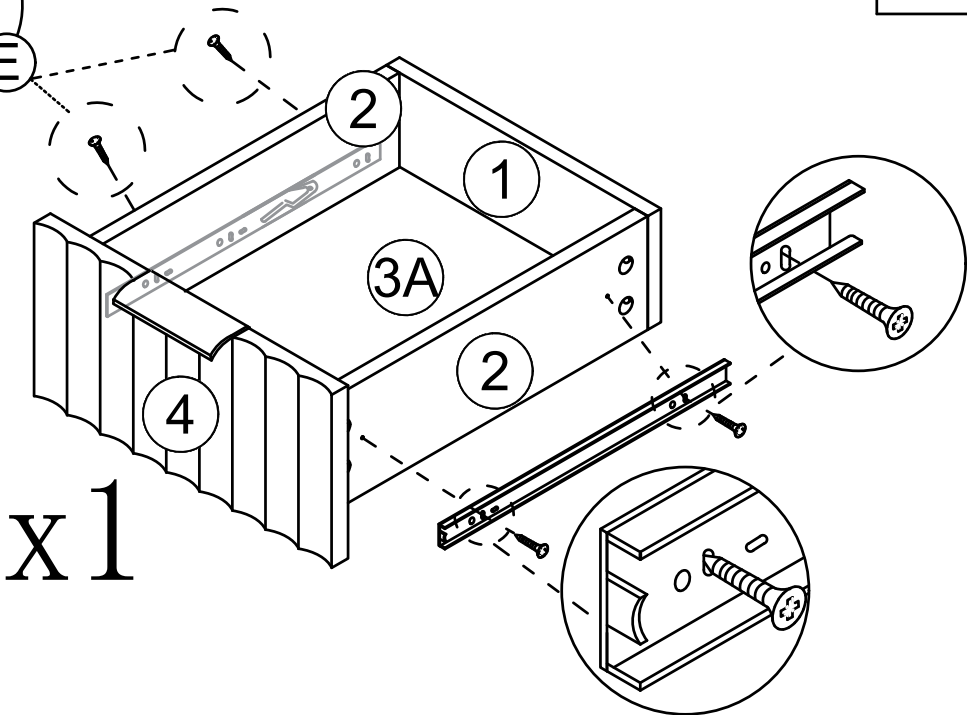
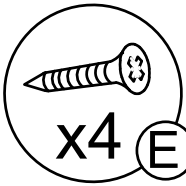
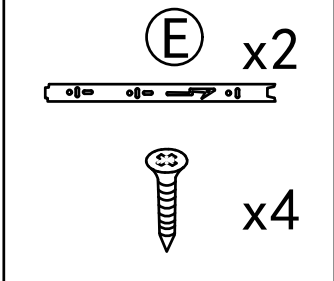
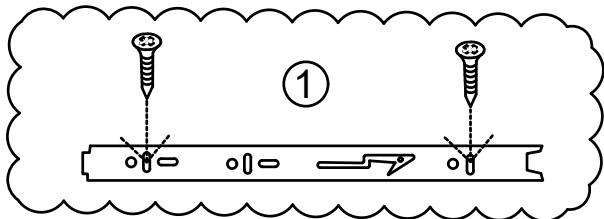
Drawer rail decomposition completed schematic diagram



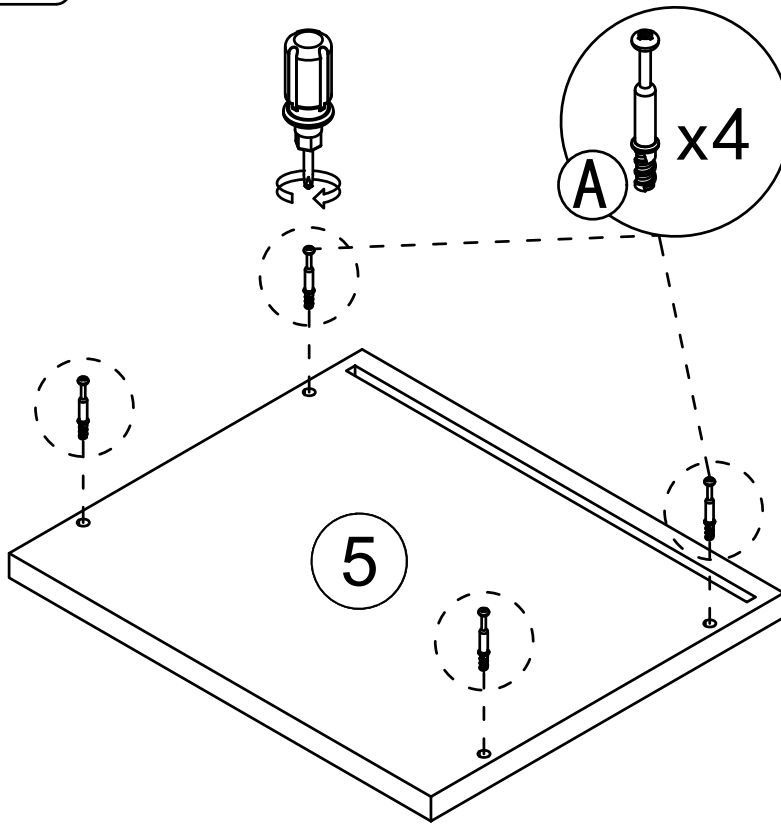
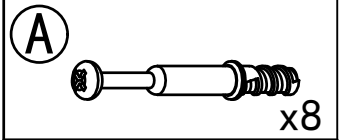
Step 6



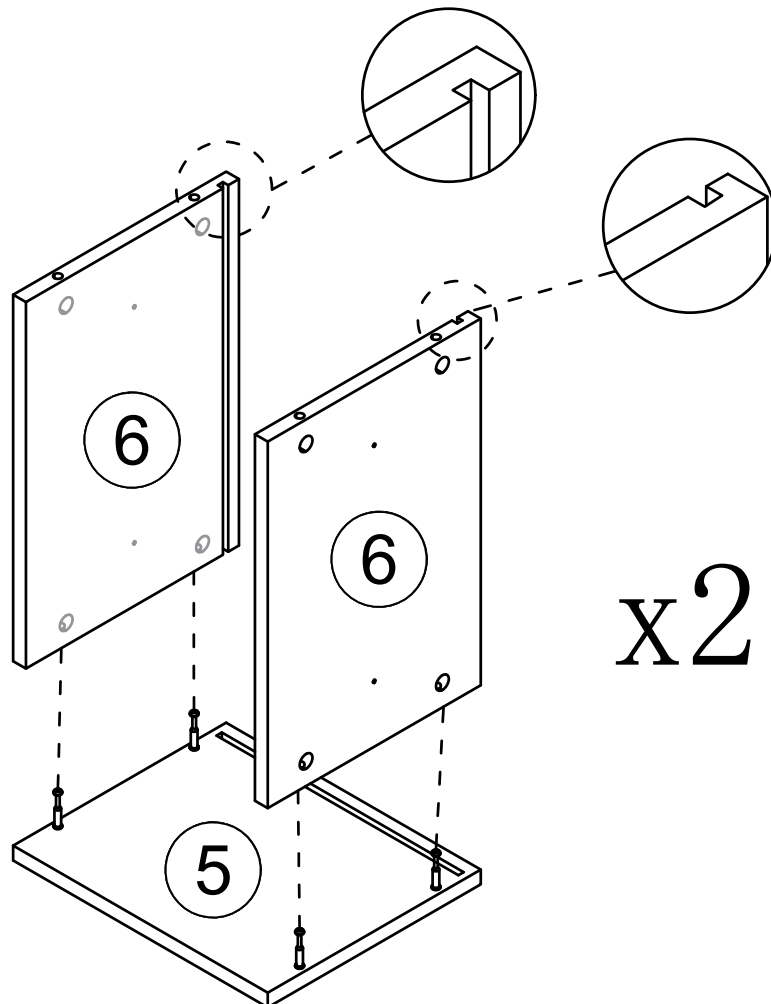
Step 7



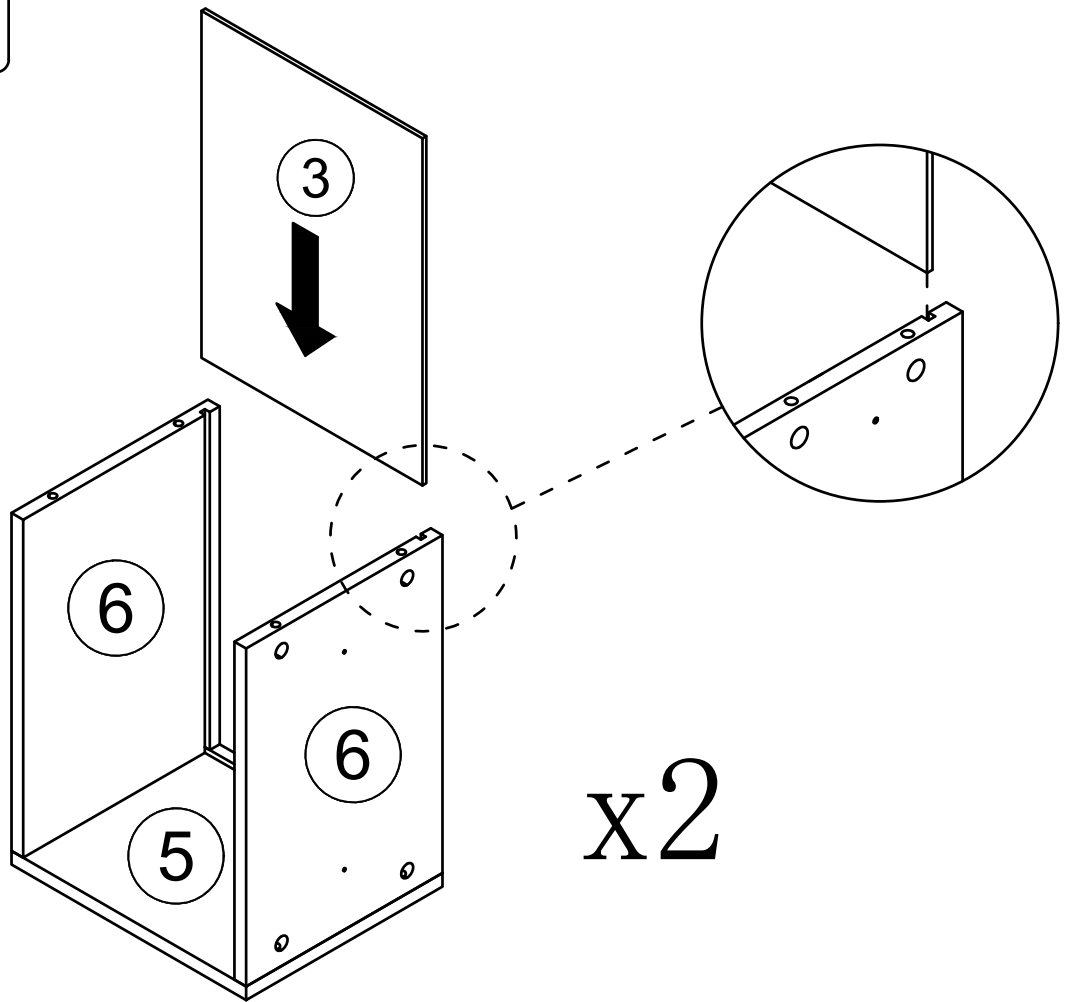
Step 8



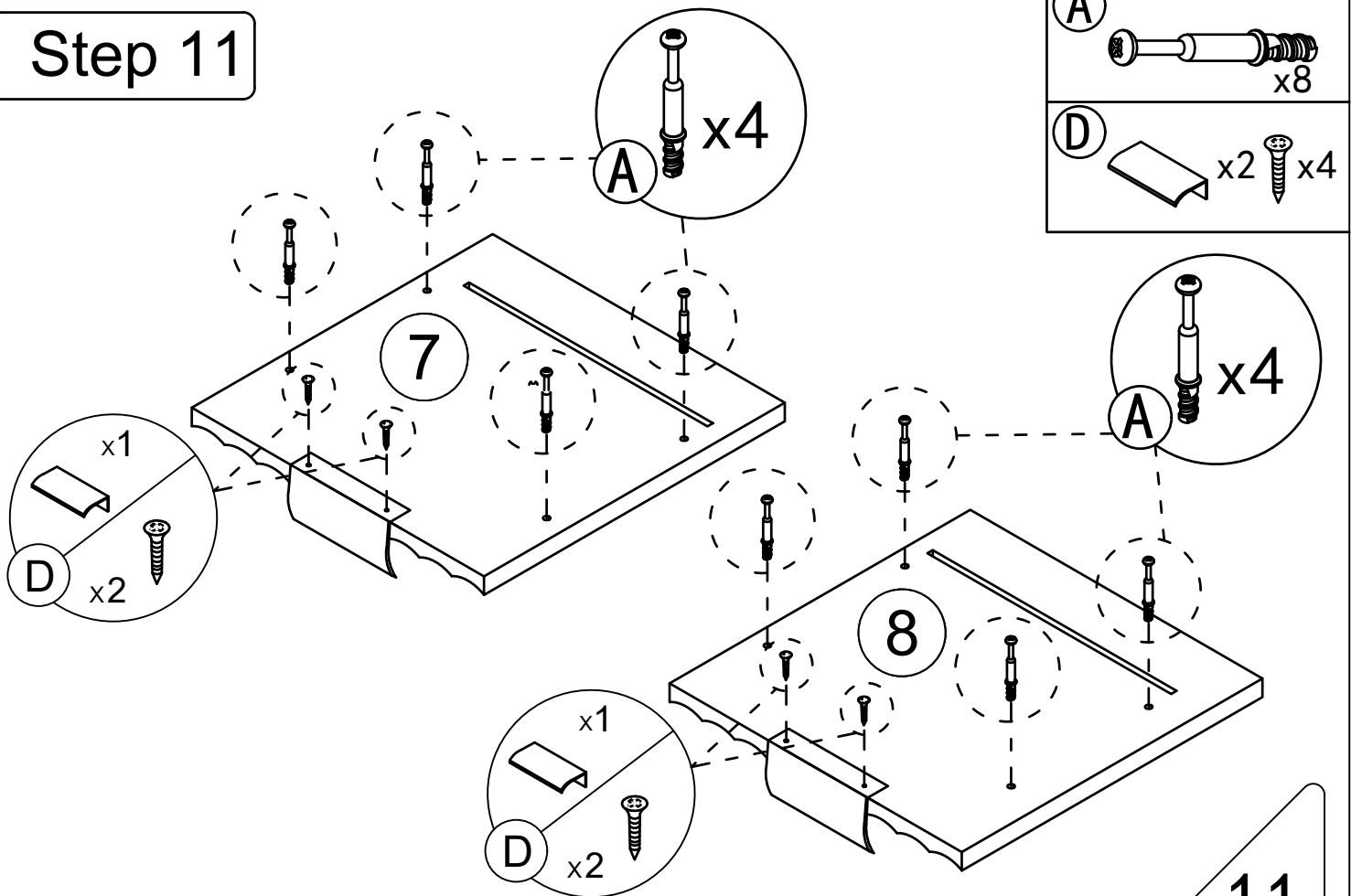
Step 9



Step 10

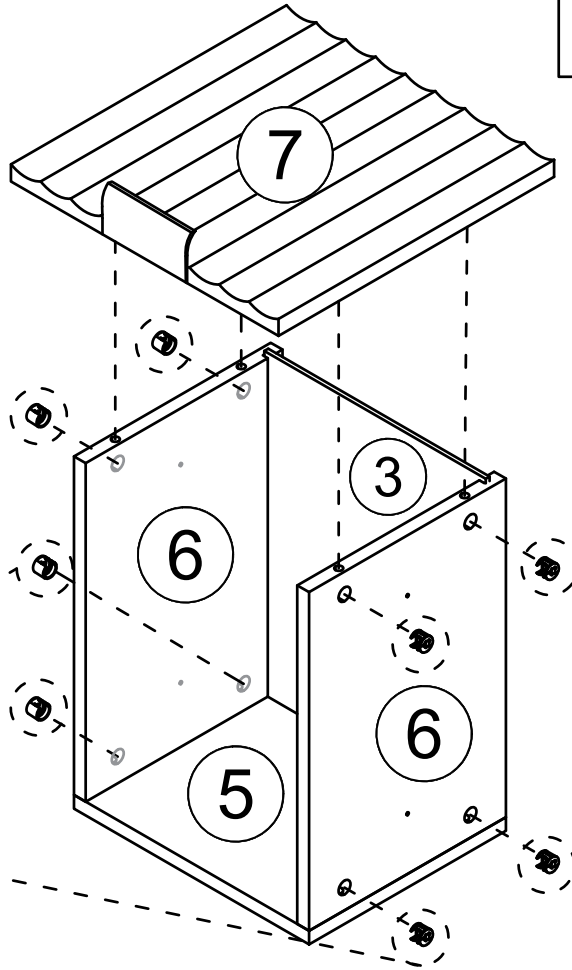
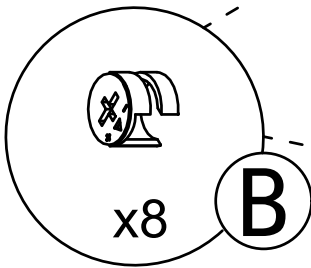
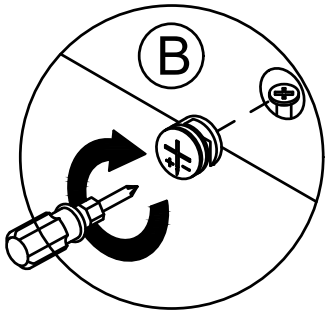


Step 11




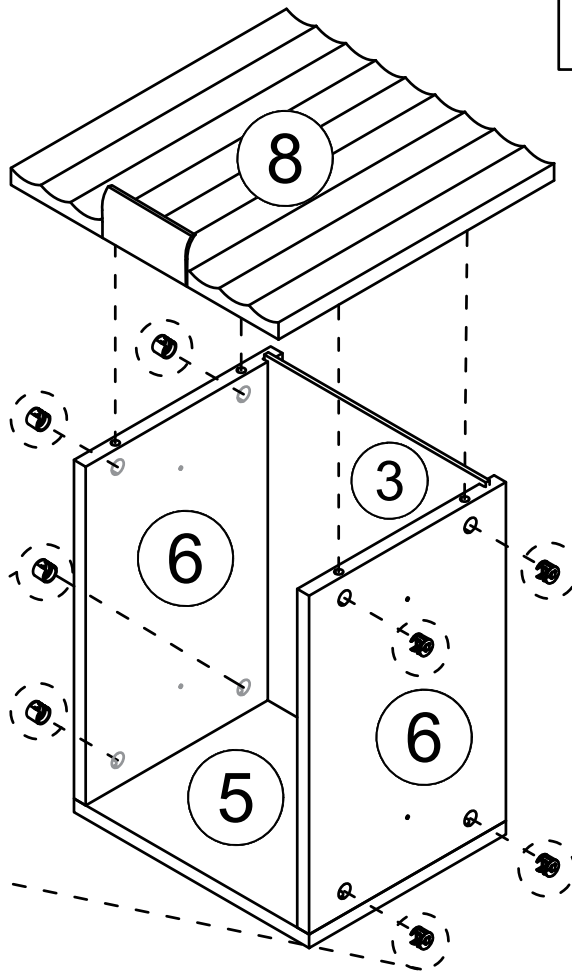
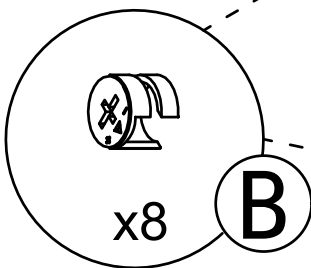
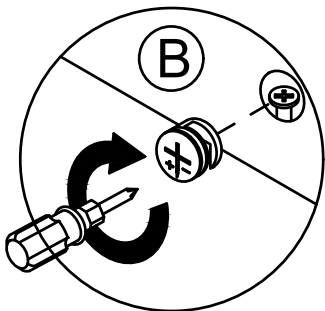
Step 12

B  x8

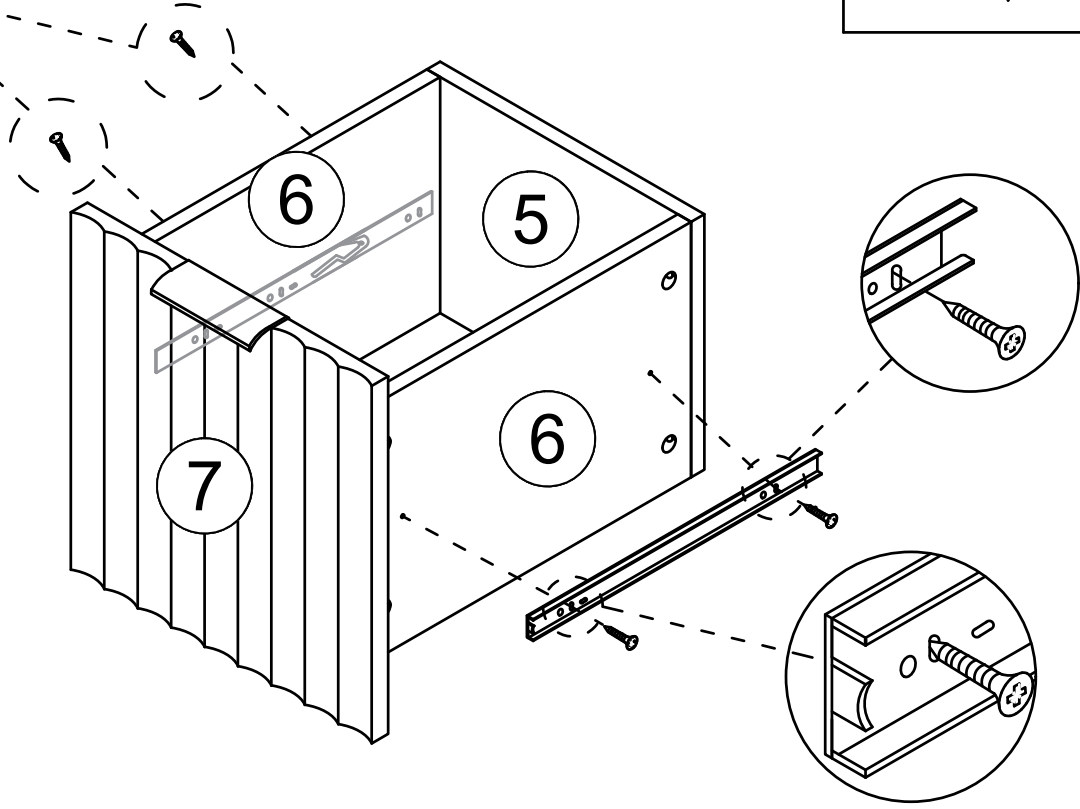
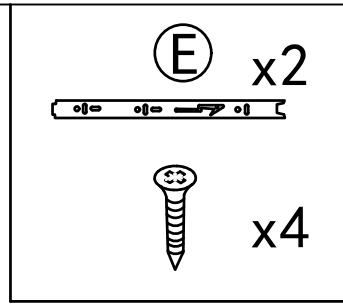
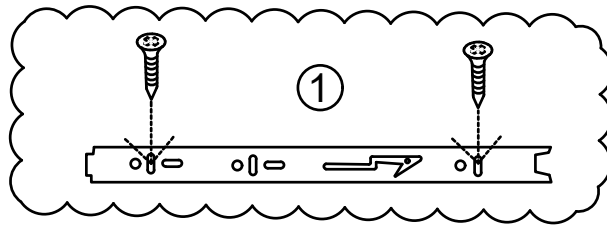
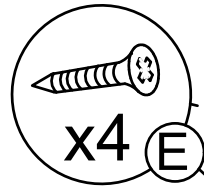


Step 13

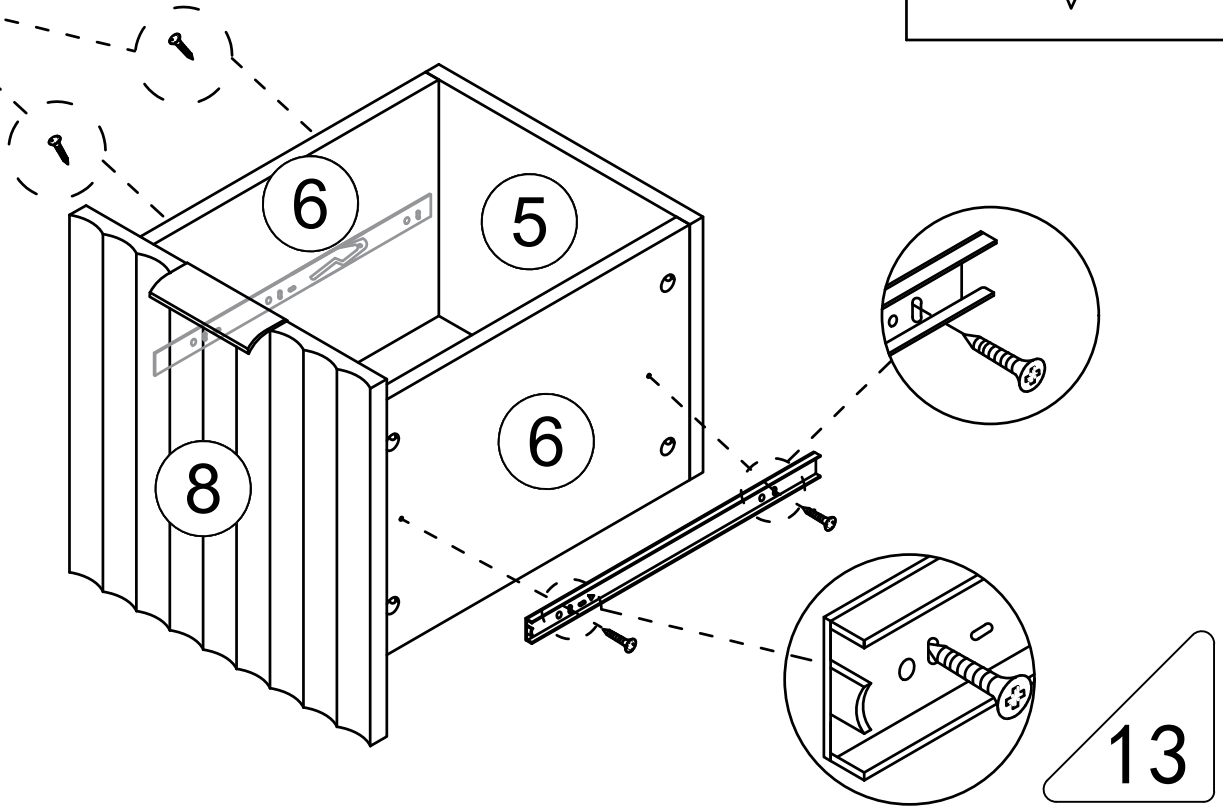
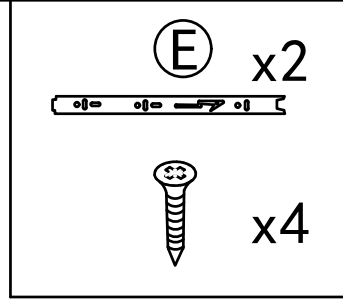
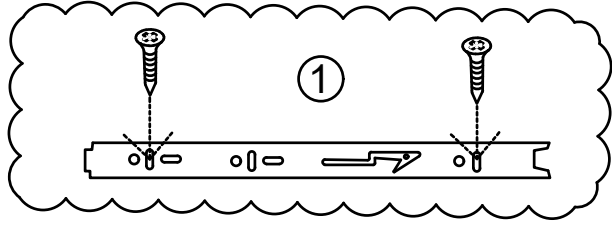
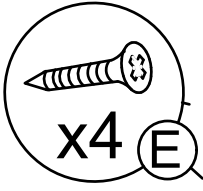
B  x8



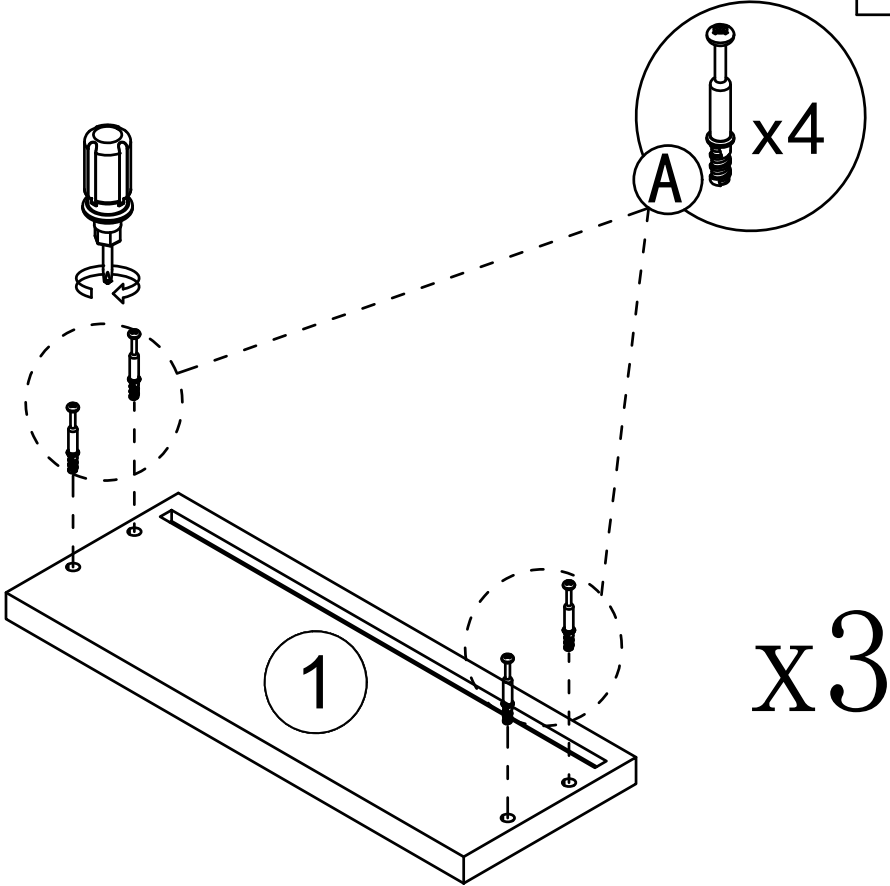
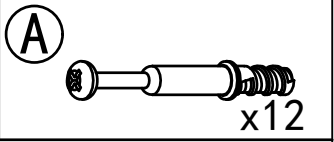
Step 14



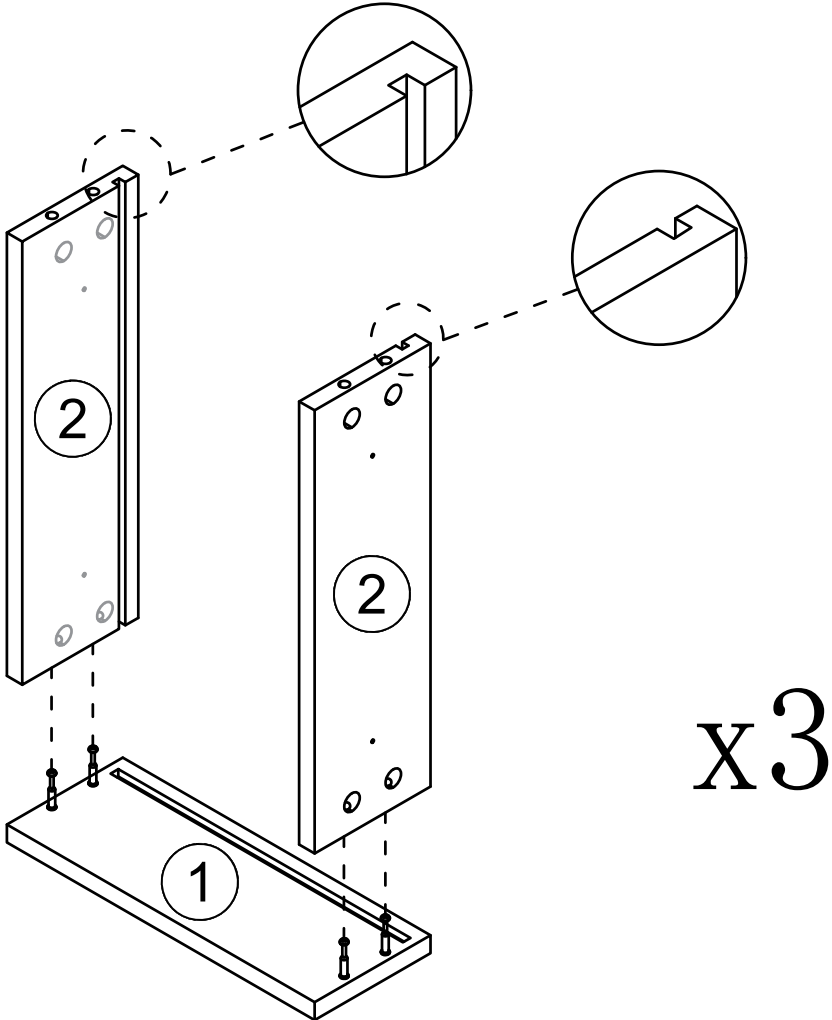
Step 15



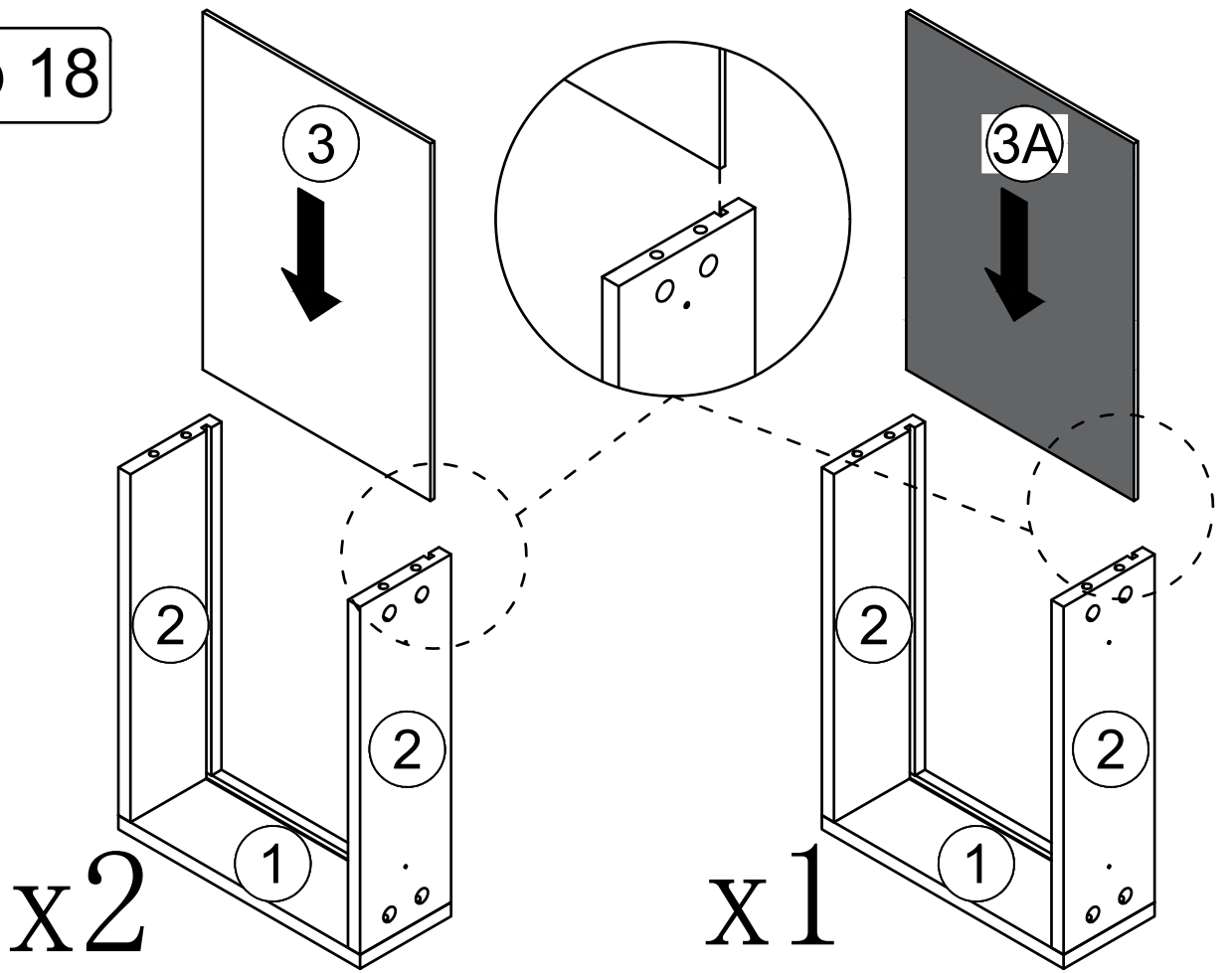
Step 16



Step 17

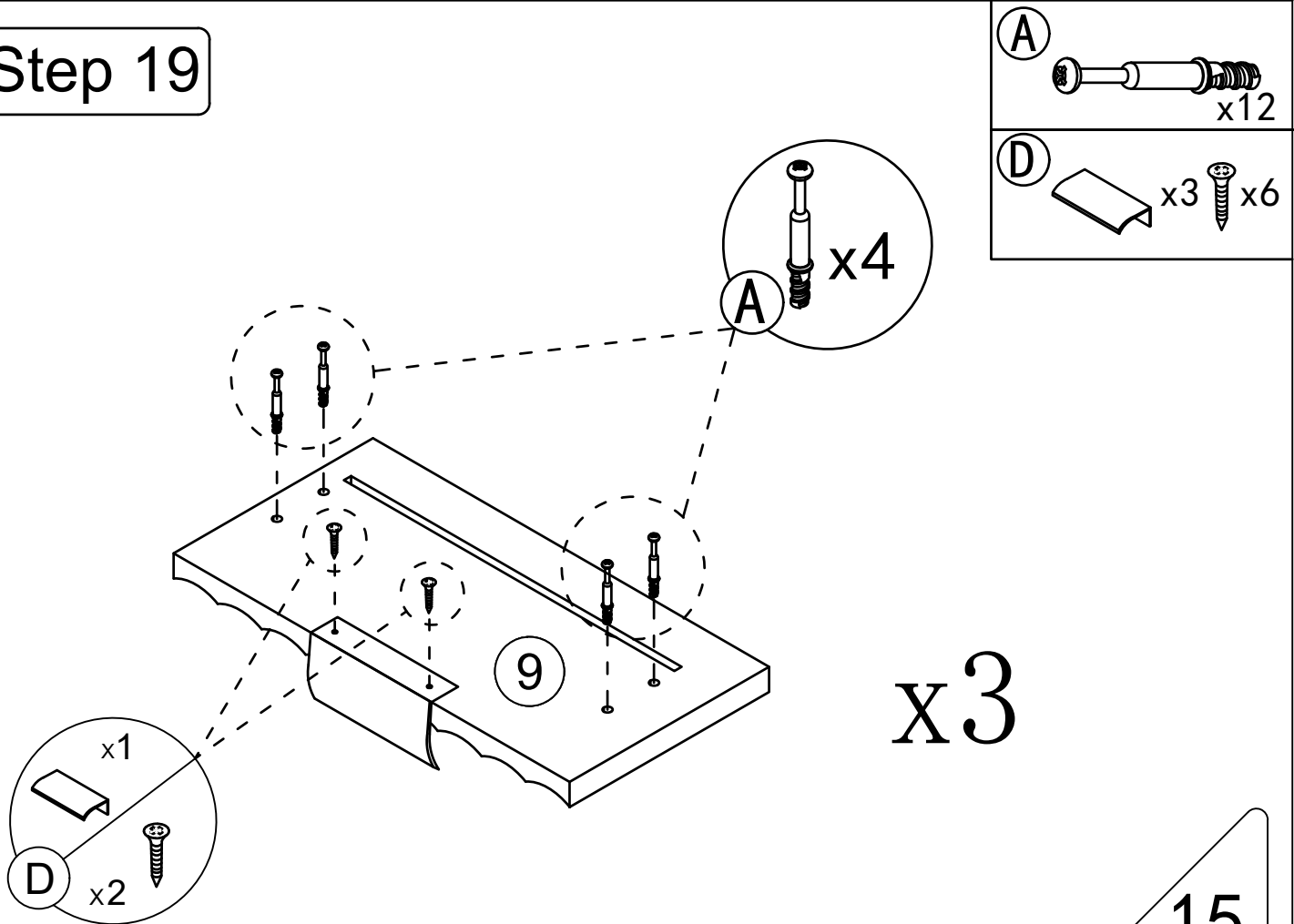


Step 18




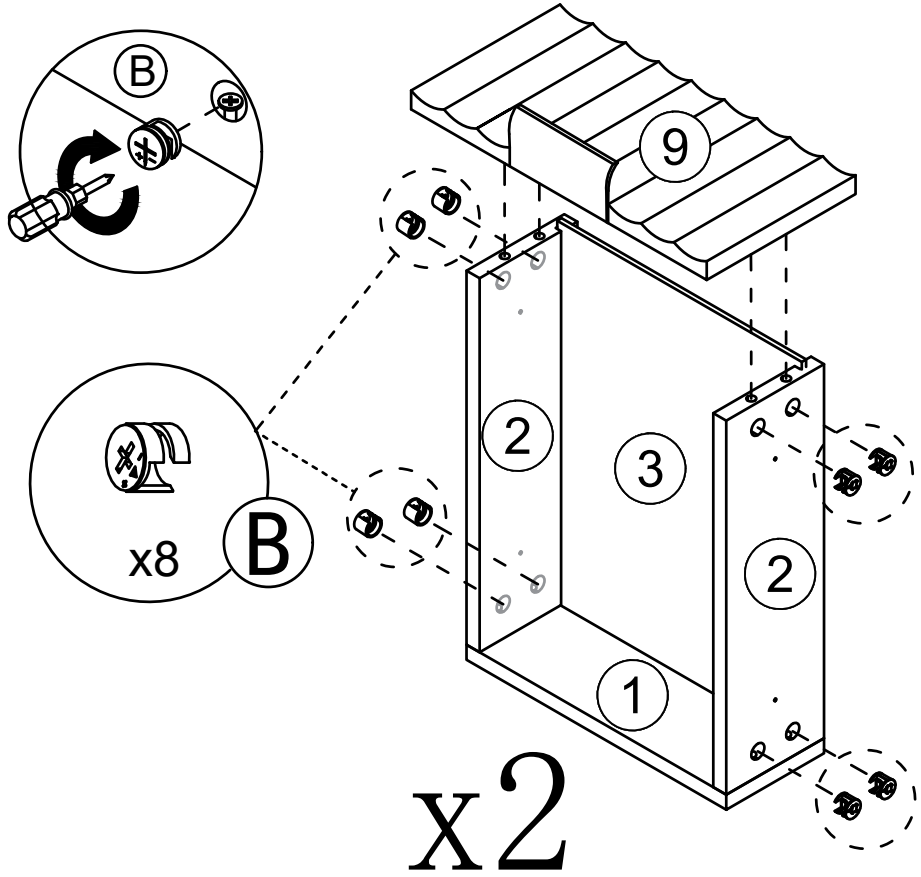
The 3A board is placed with the flannel side up

Step 19




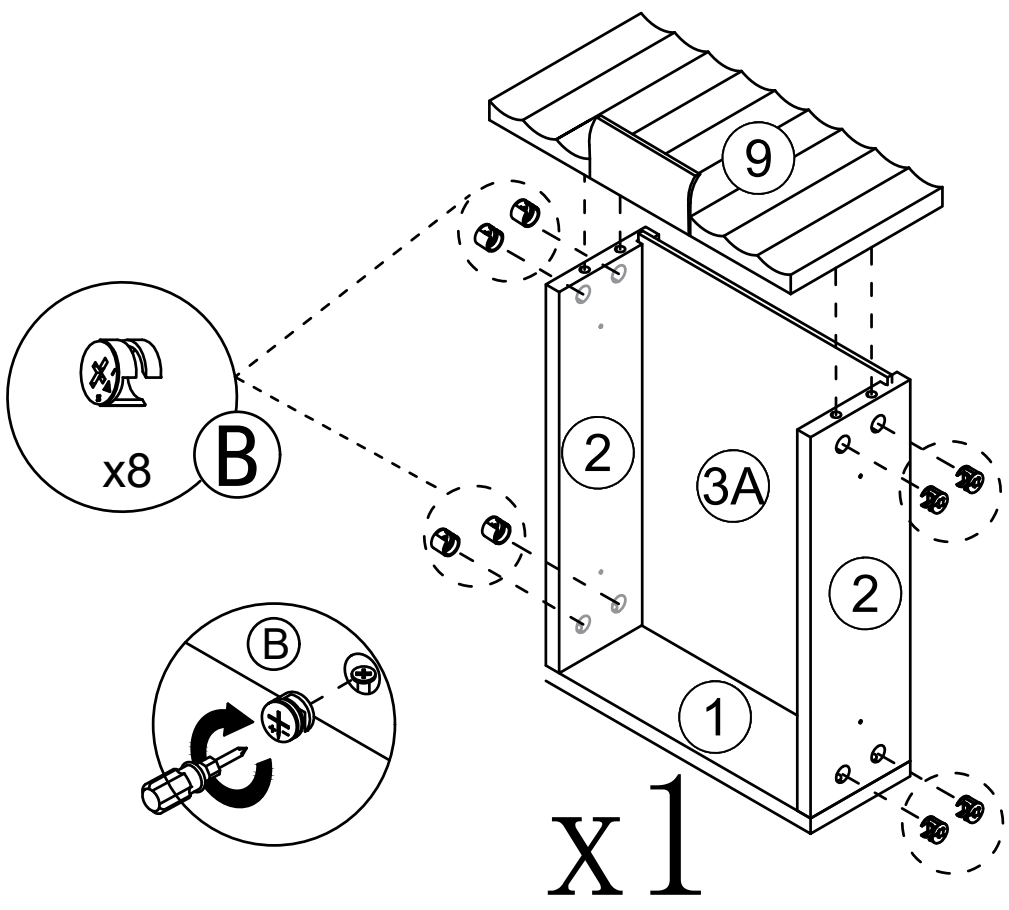
Step 20

(B)  x16

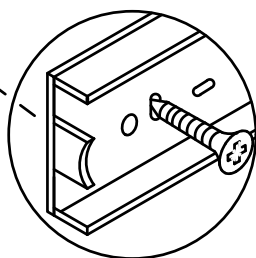
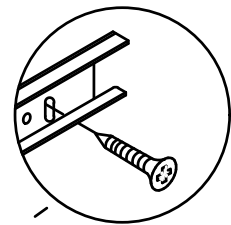
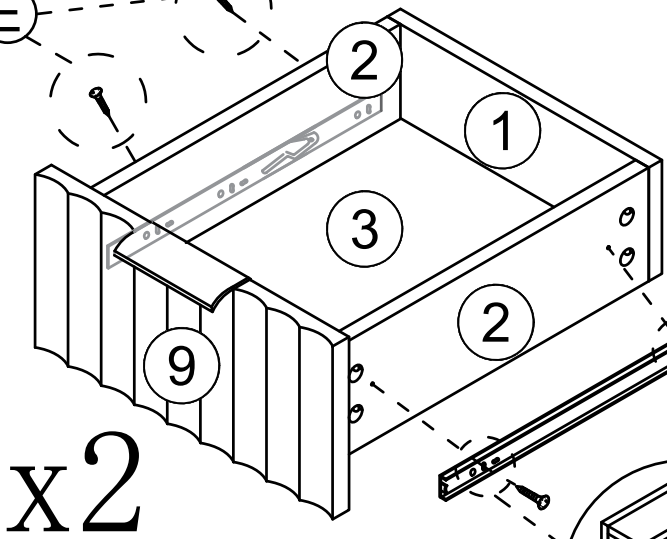
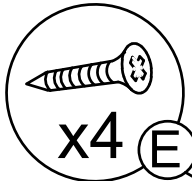
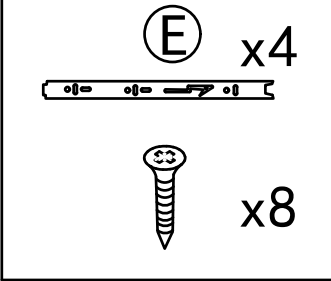
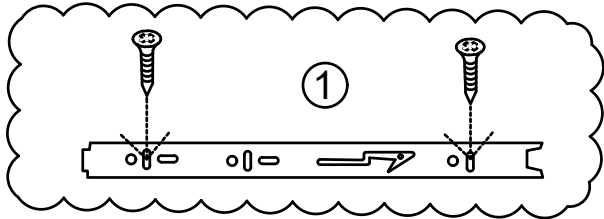


Step 21

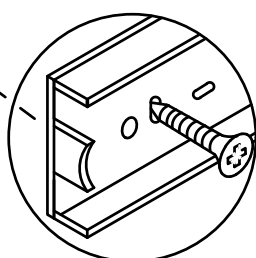
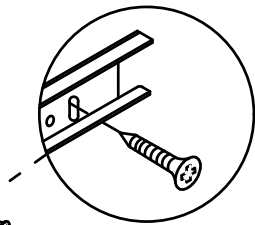
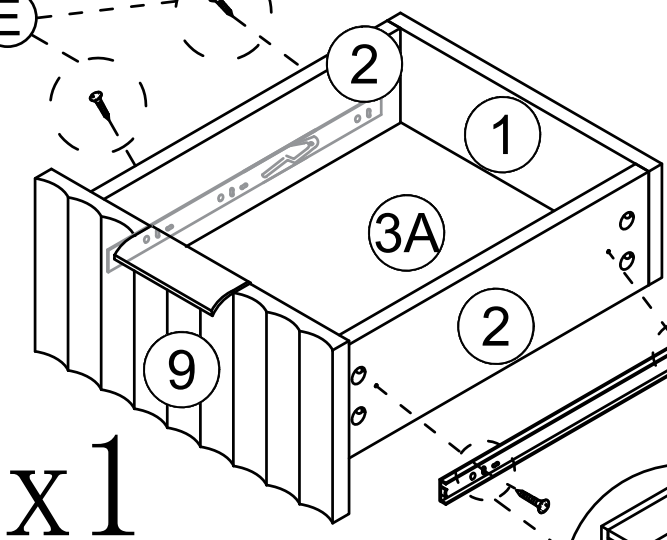
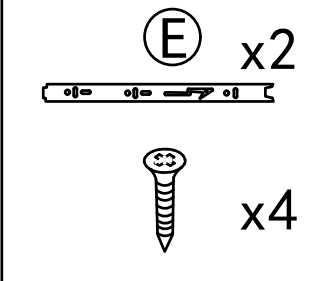
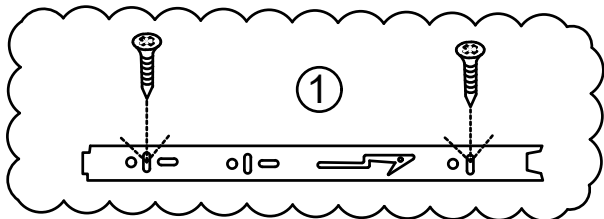
(B)  x8



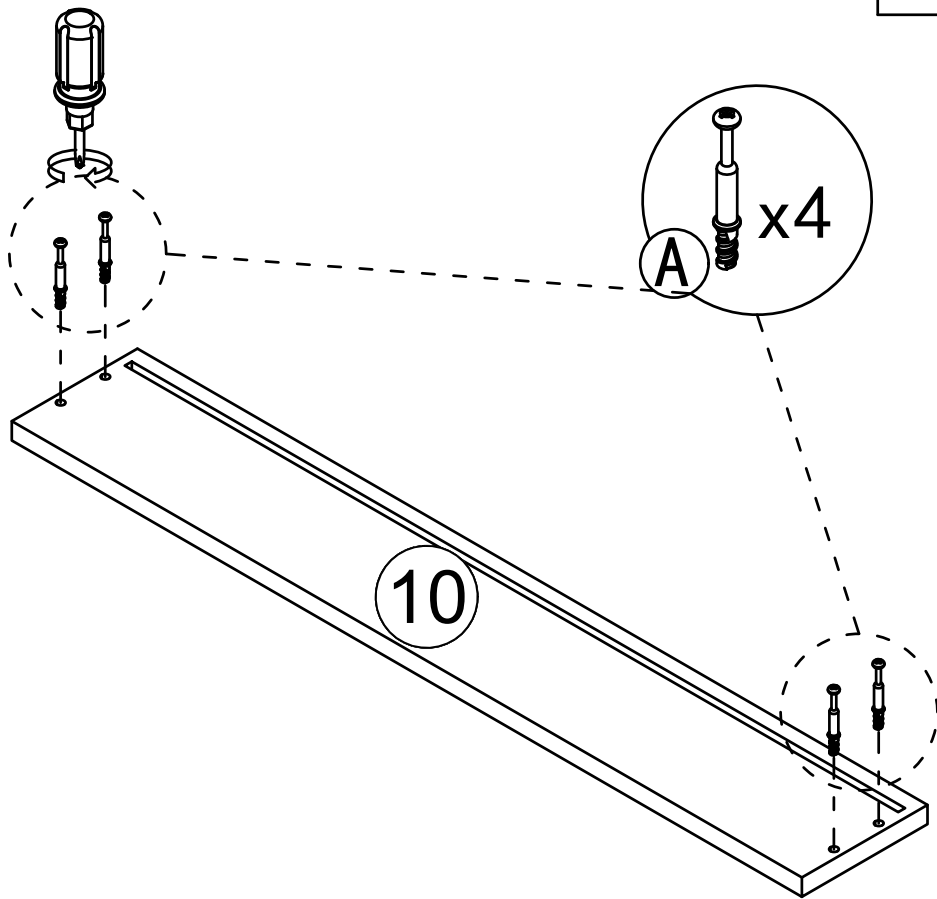
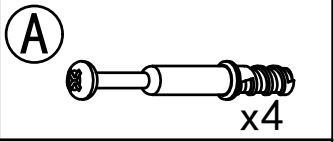
Step 22



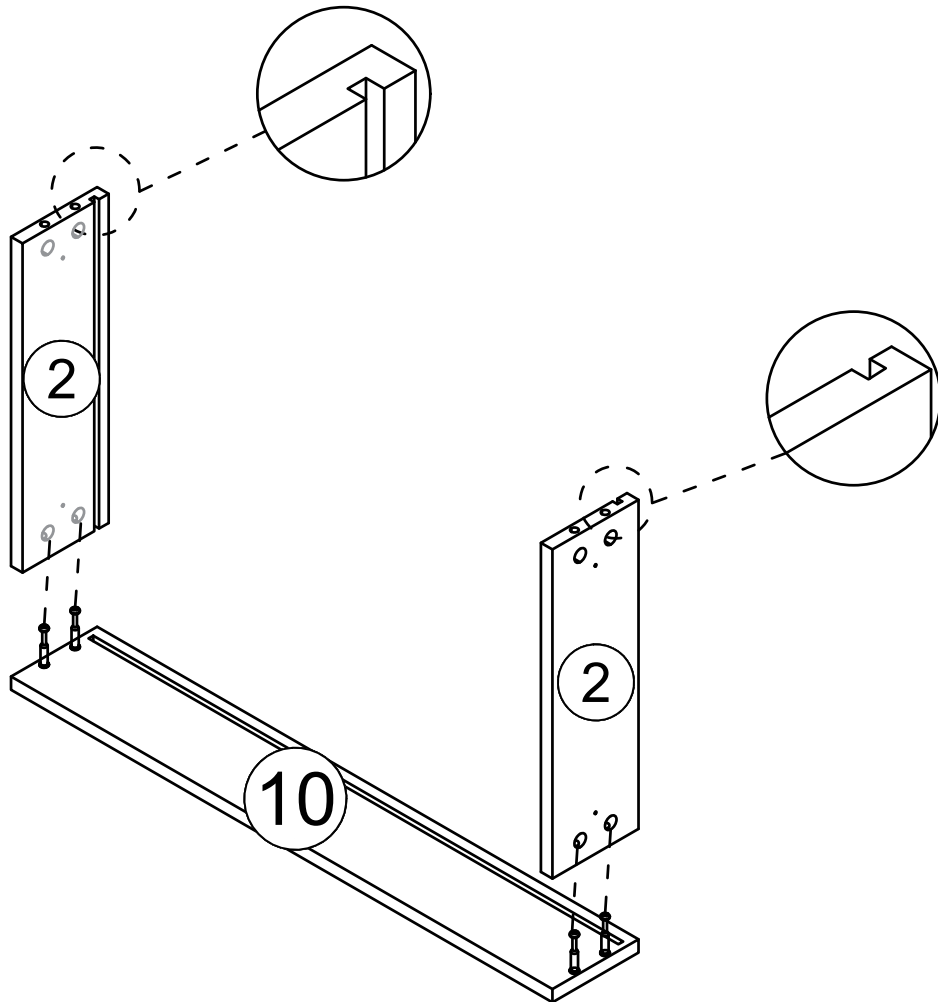
Step 23



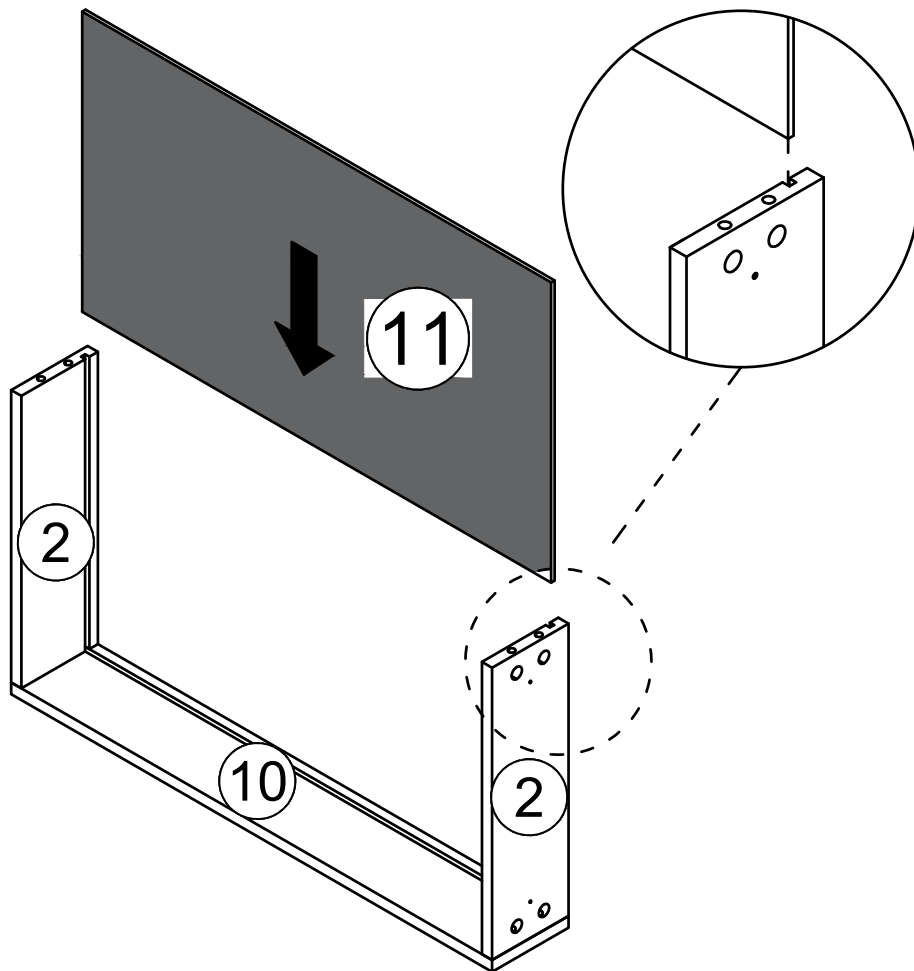
Step 24



Step 25

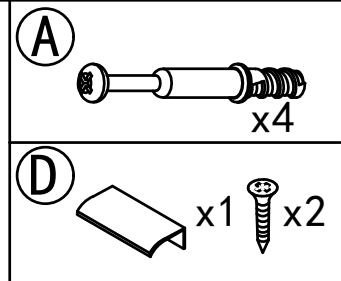
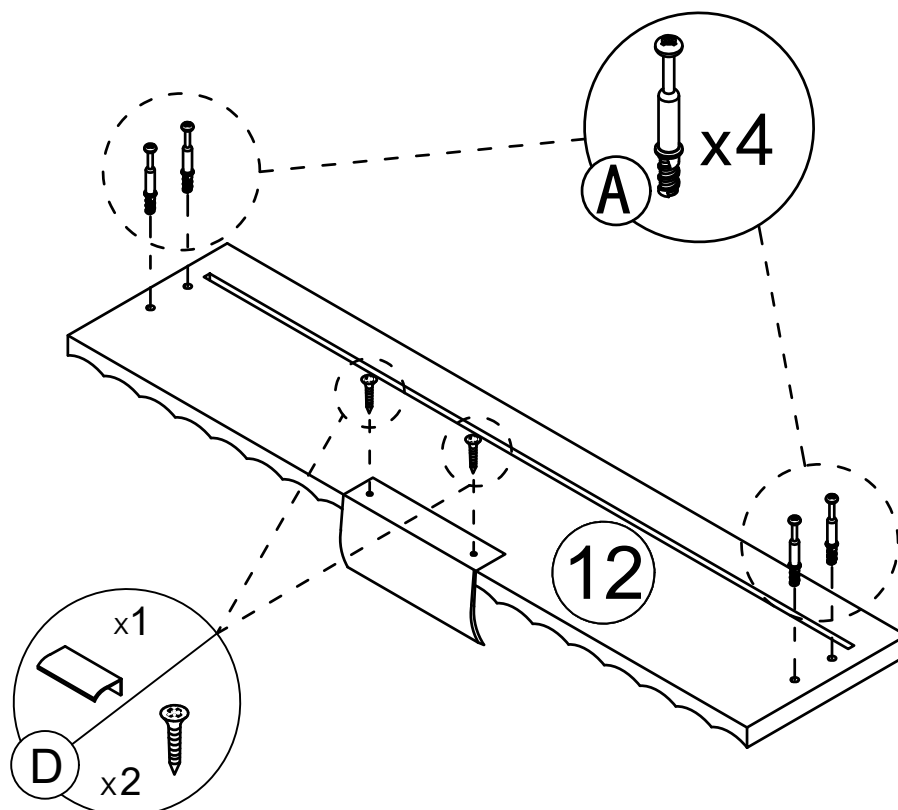


Step 26




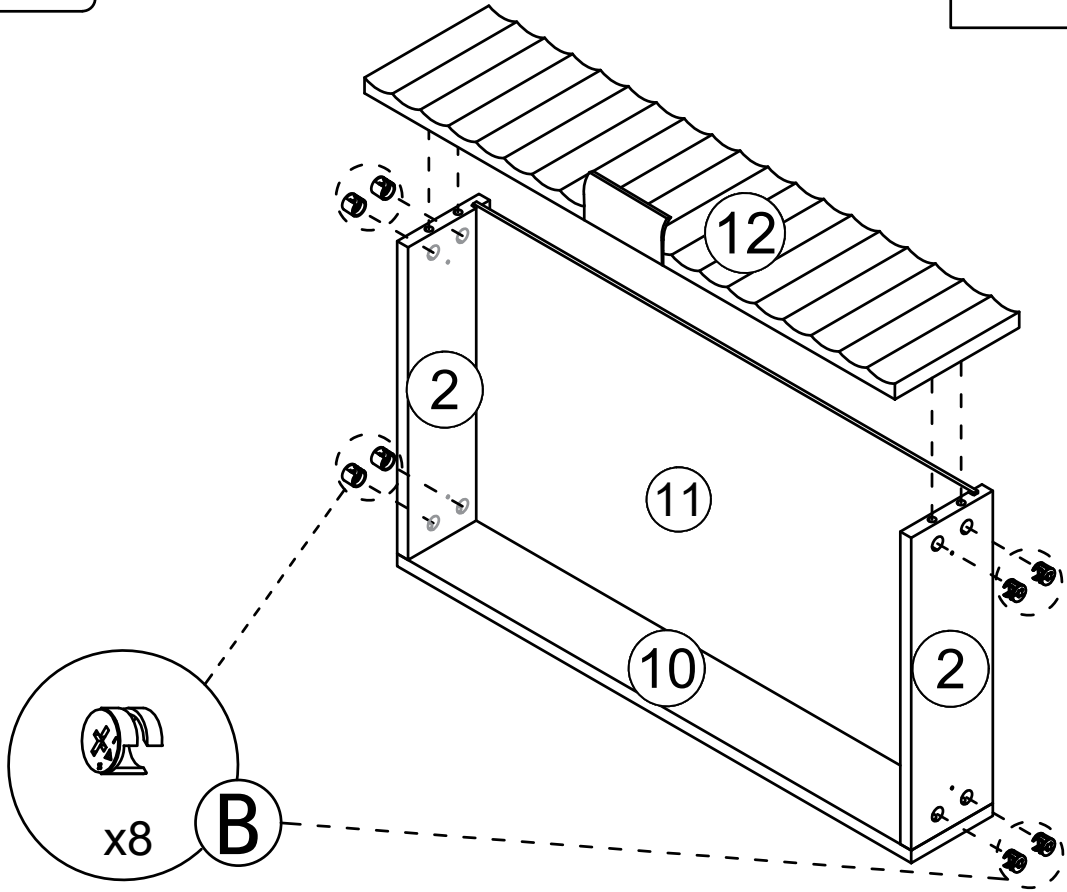
The suede surface of panel 11 is facing upwards

Step 27

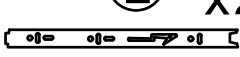



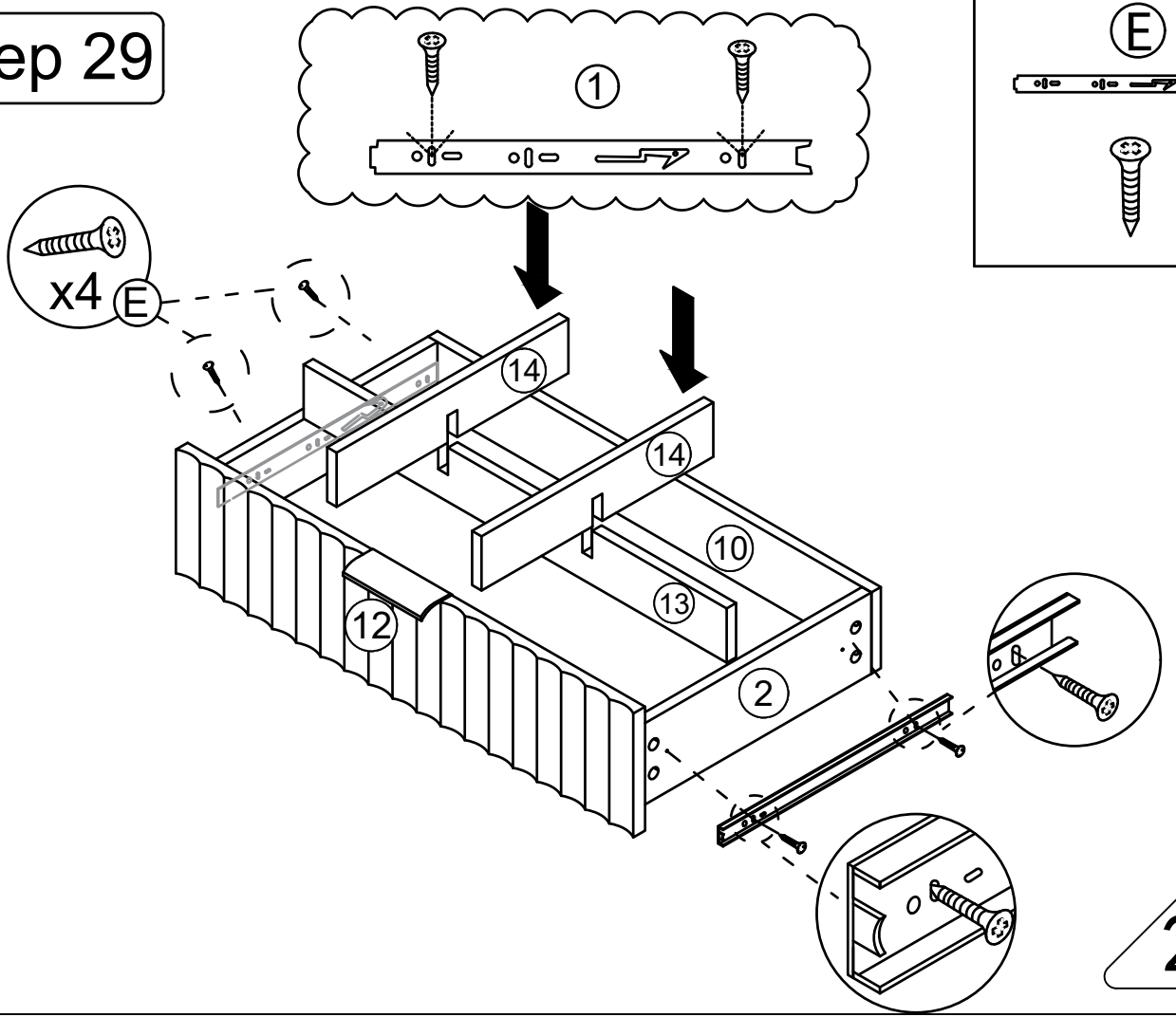
Step 28


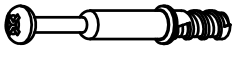



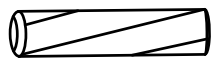


B  x8

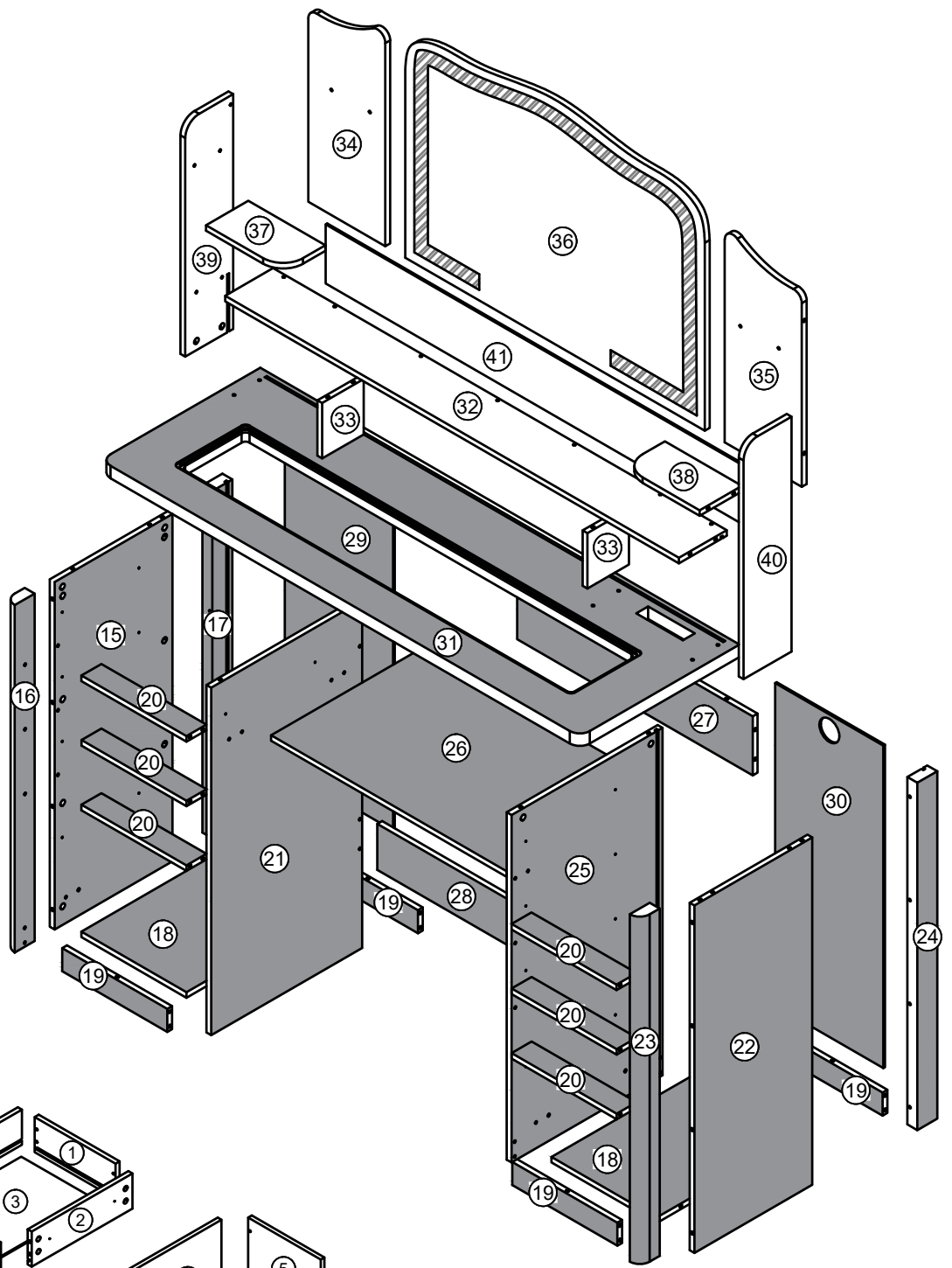
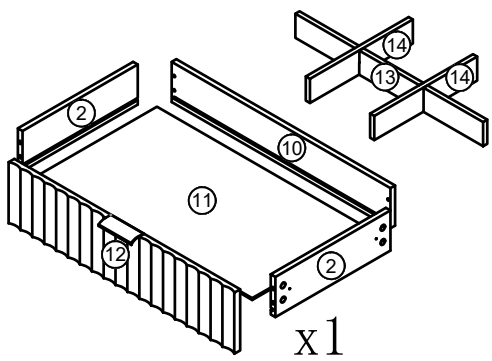
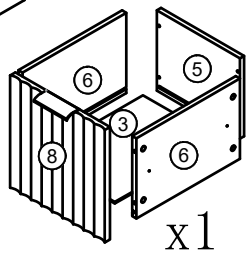
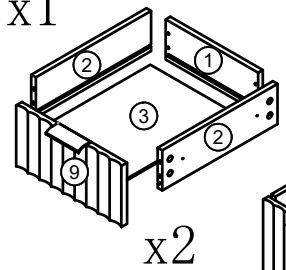
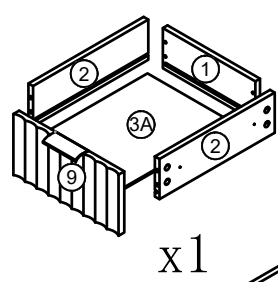
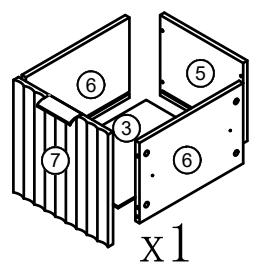
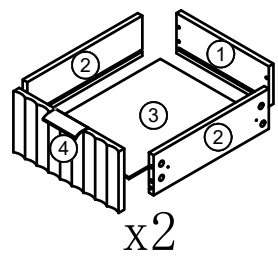
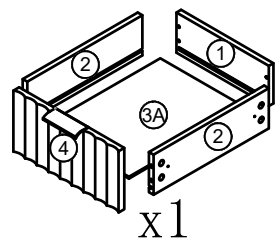


Step 29

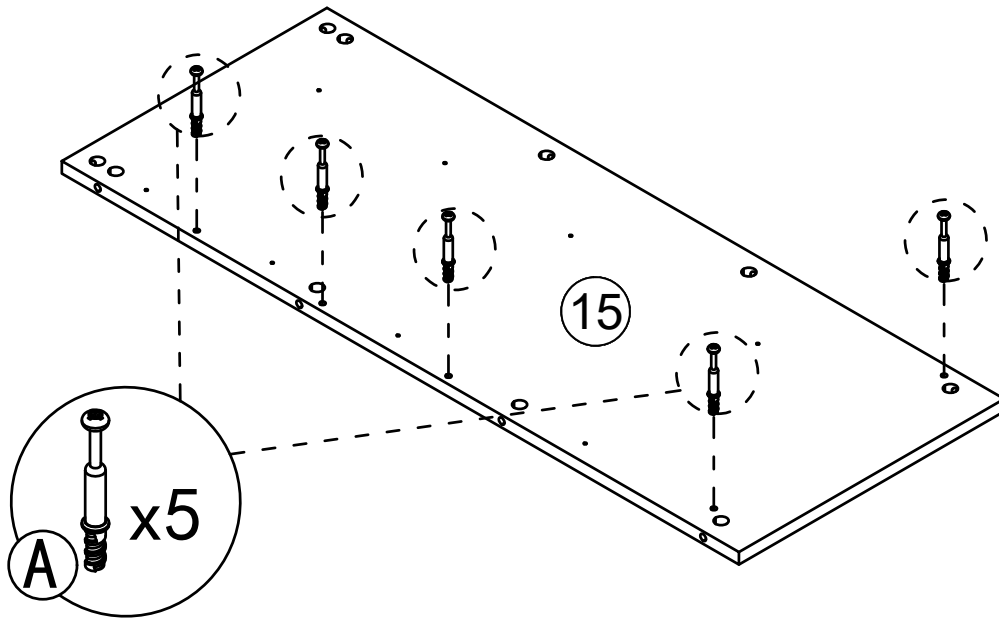
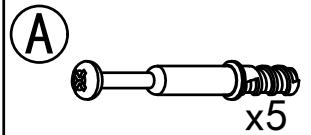
E x2 
x4 



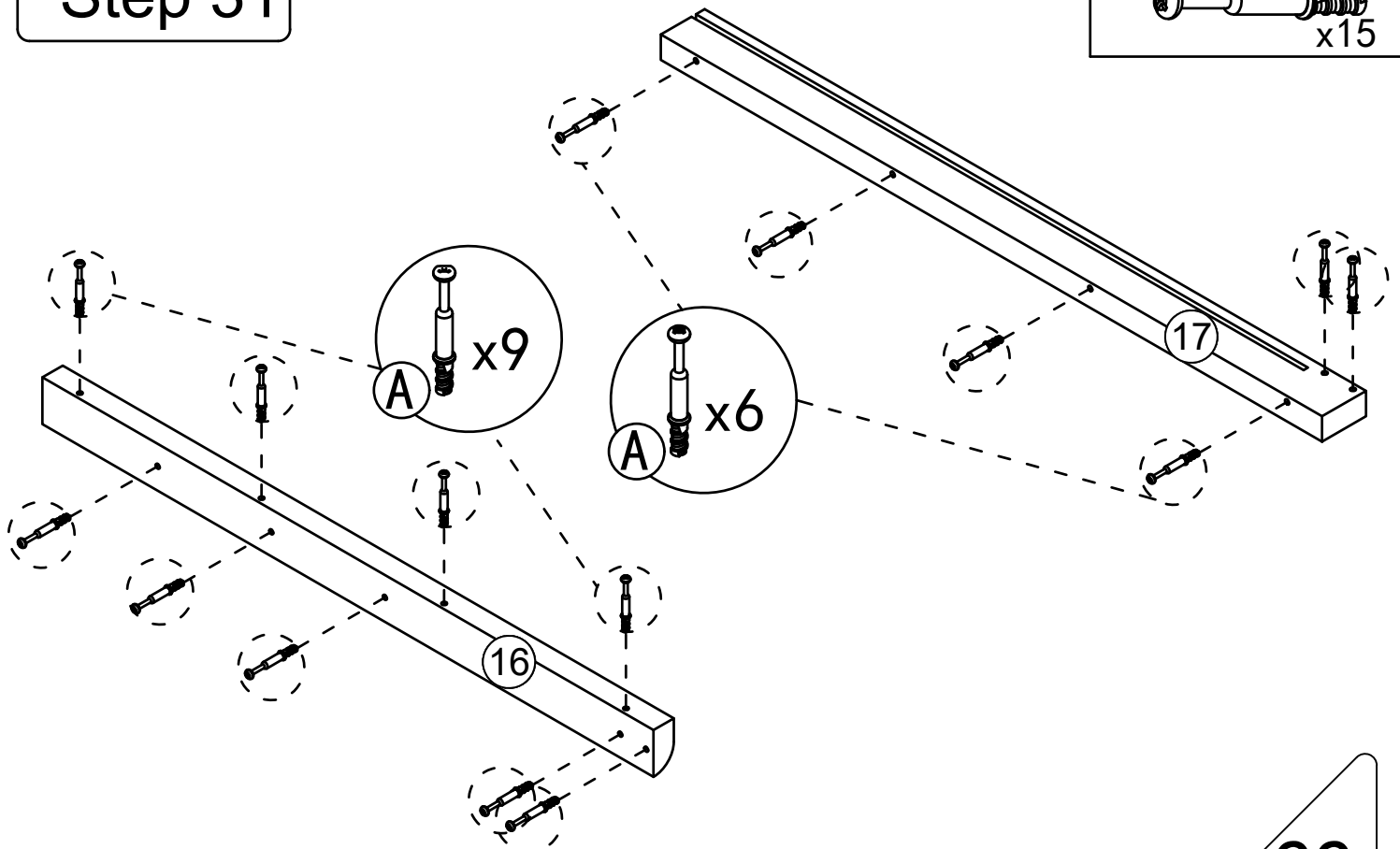
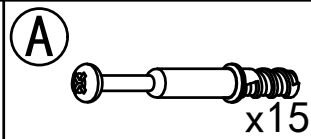
		102pcs			94pcs
		8pcs			



Step 30

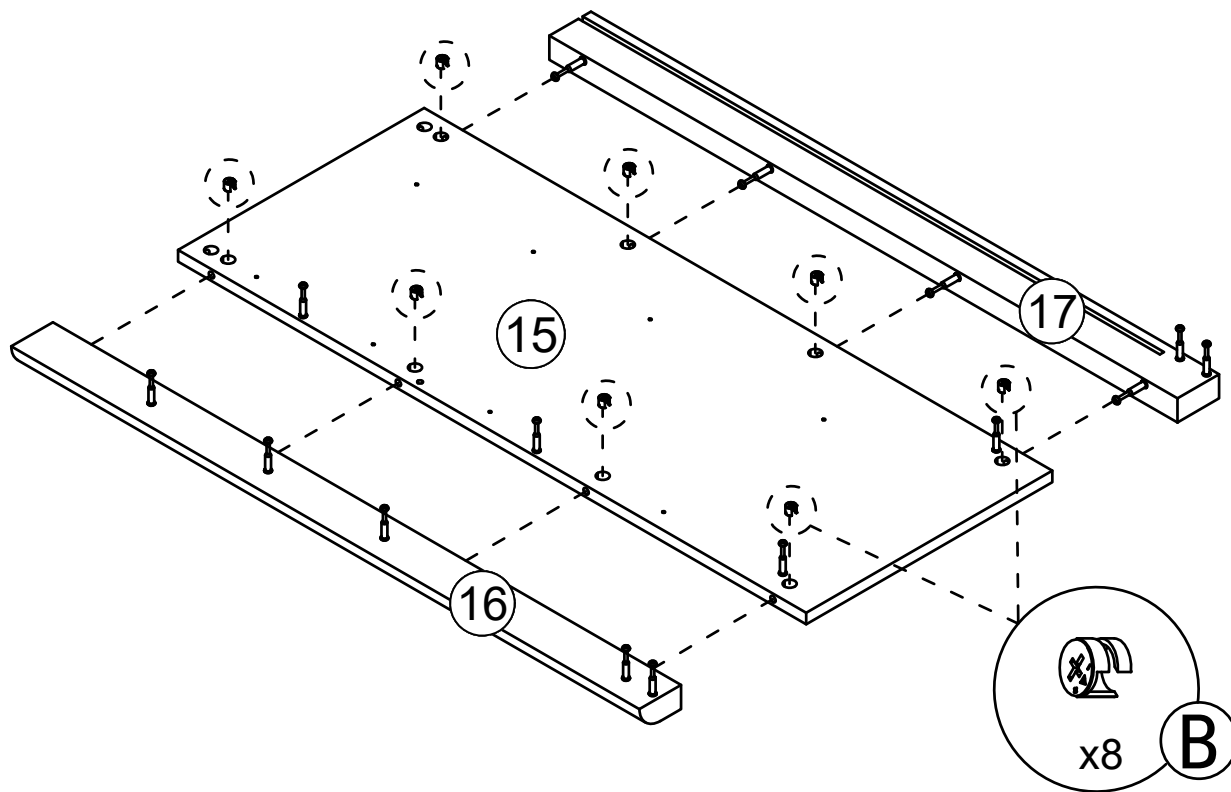


Step 31

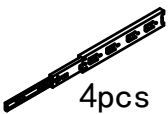
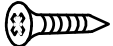


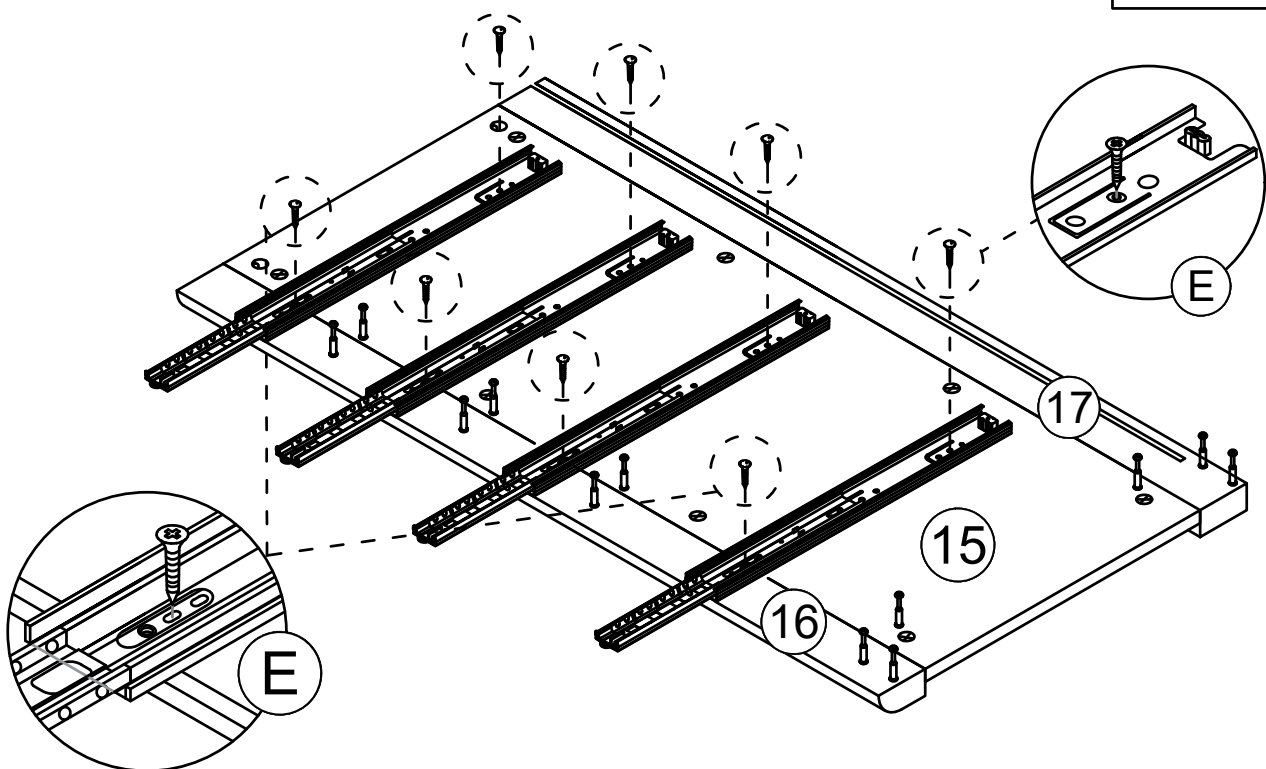
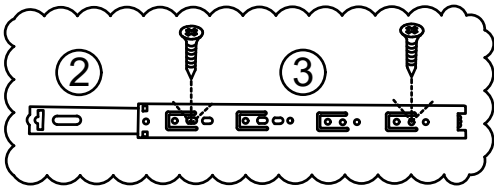
Step 32

B  x8

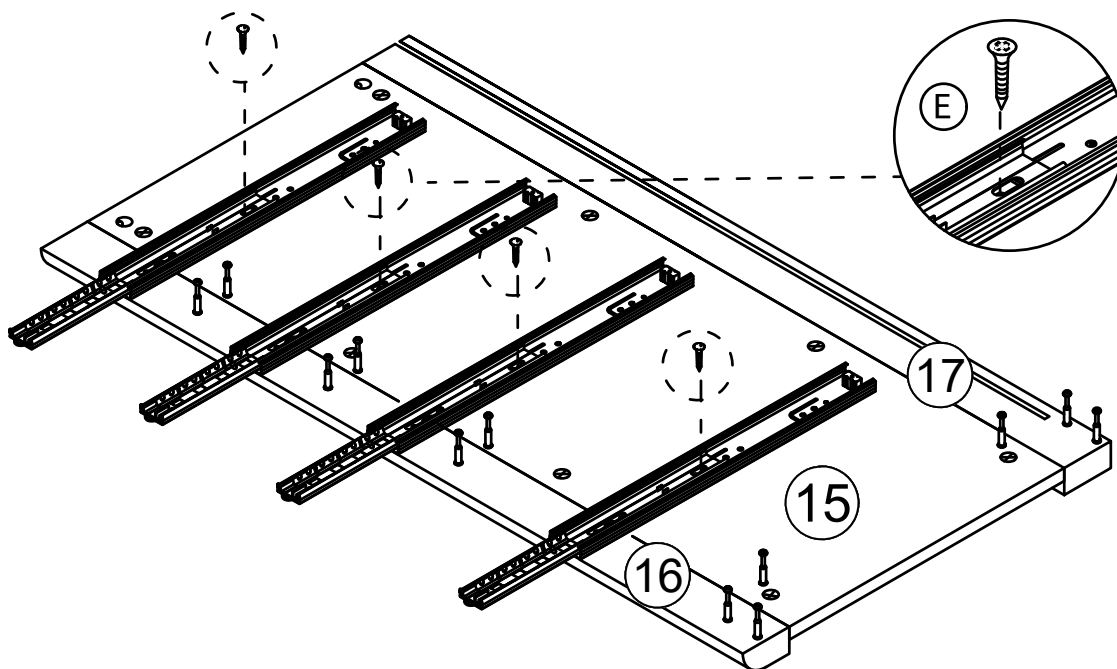


Step 33

E  4pcs
 8pcs

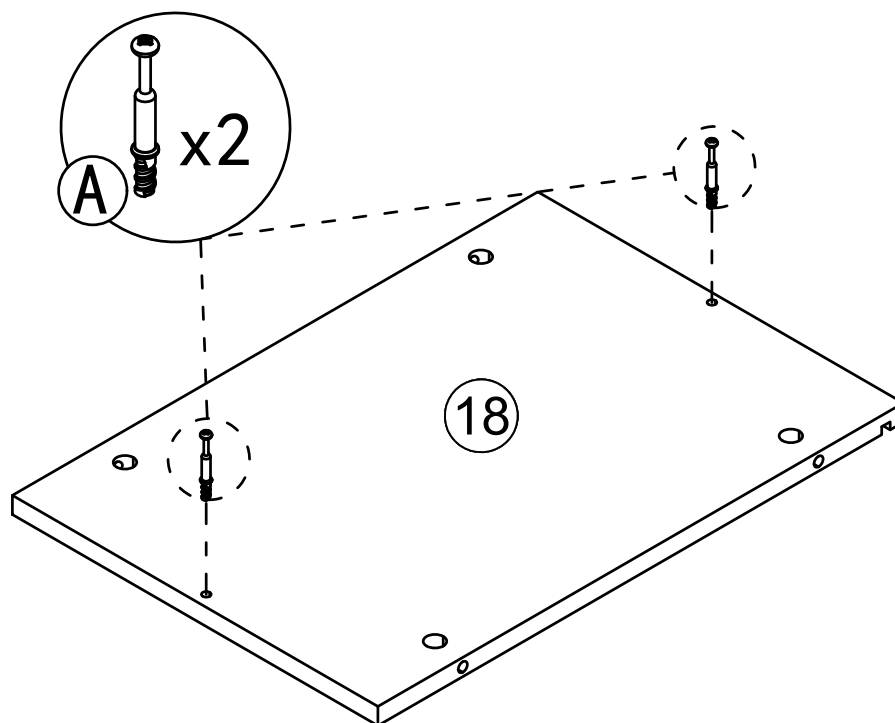
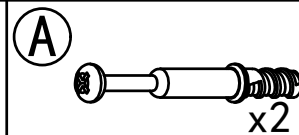


Step 34



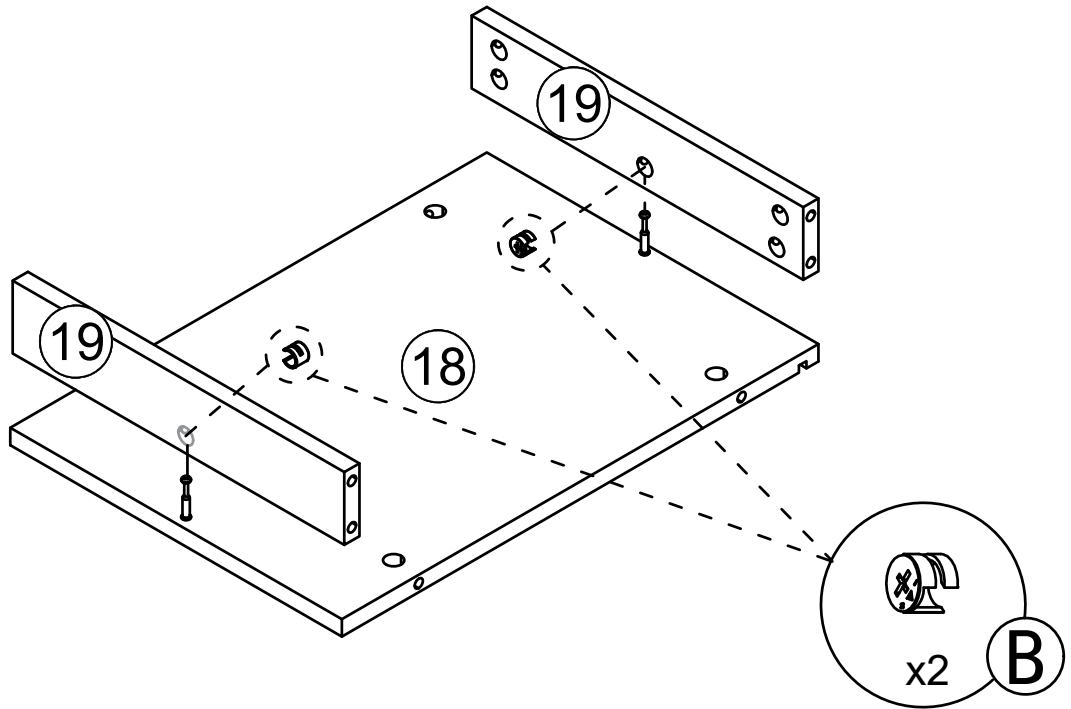
This hole is for strengthening fixed hole customers can choose to install according to their needs.

Step 35



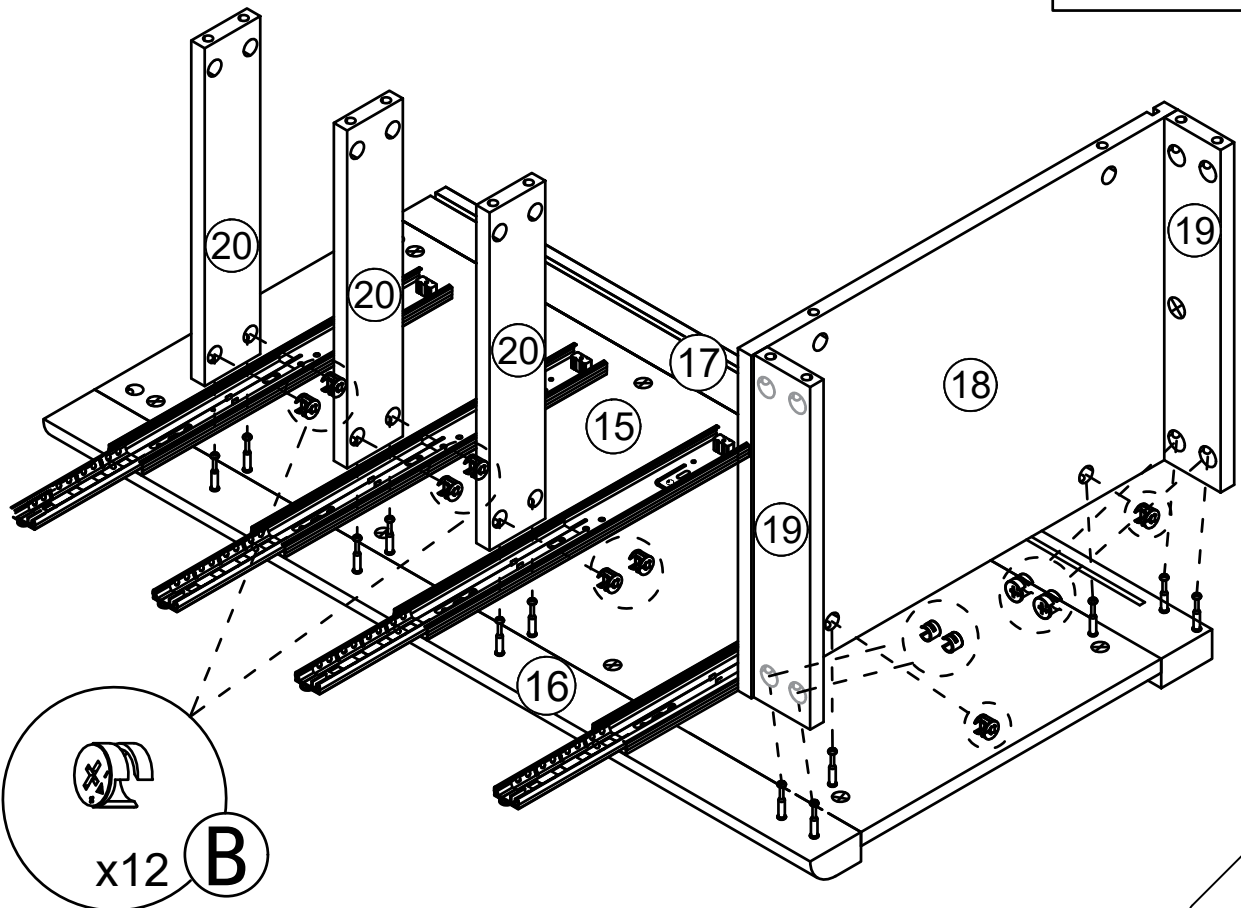
Step 36

B  x2

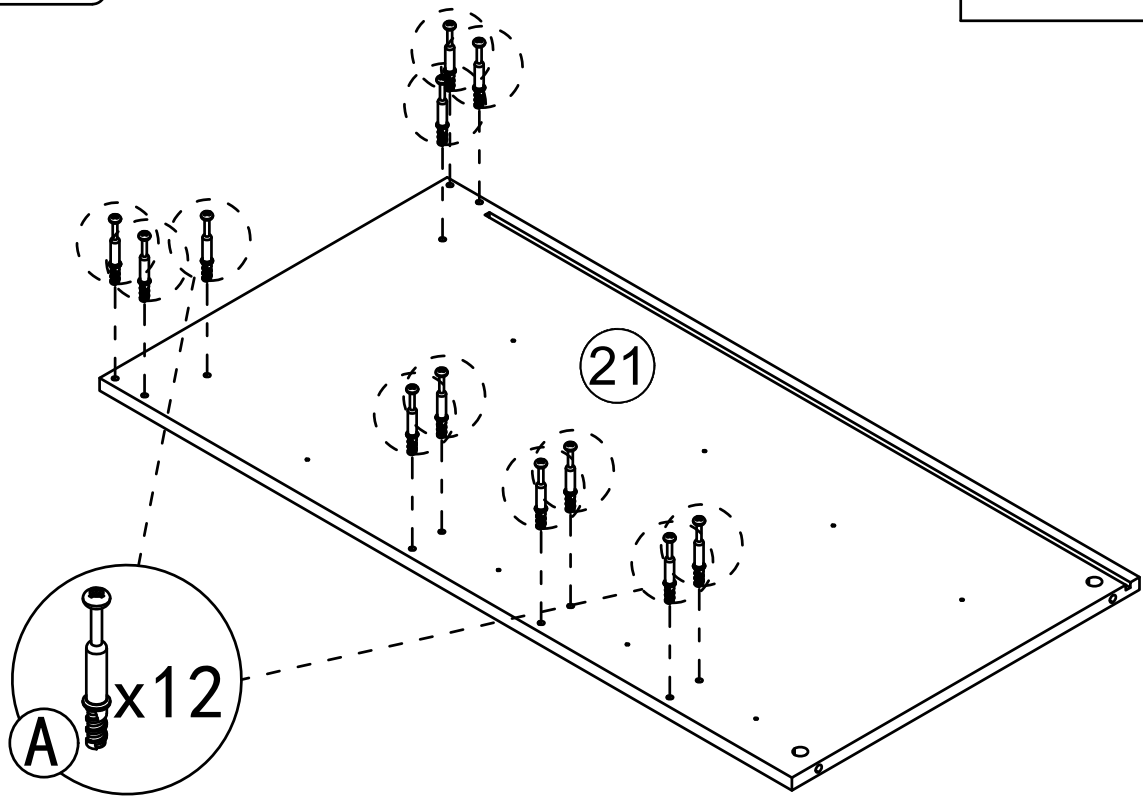
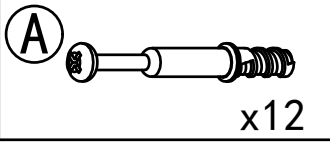


Step 37

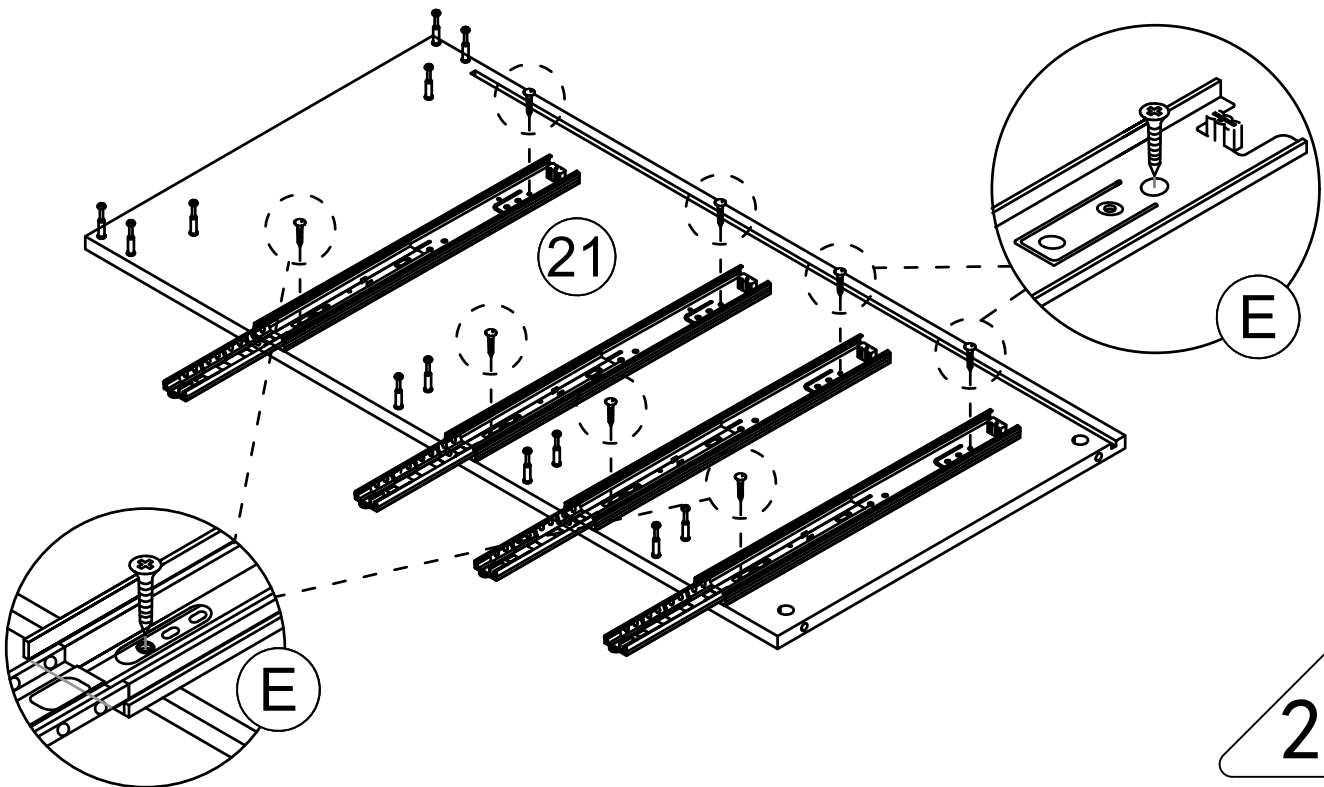
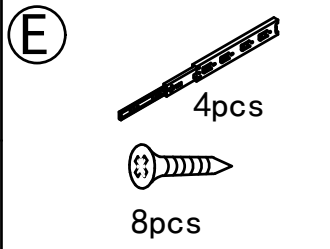
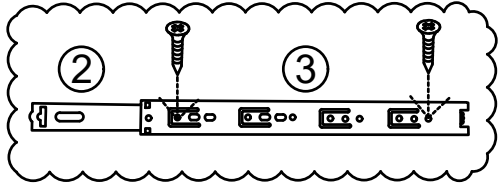
B  x12



Step 38

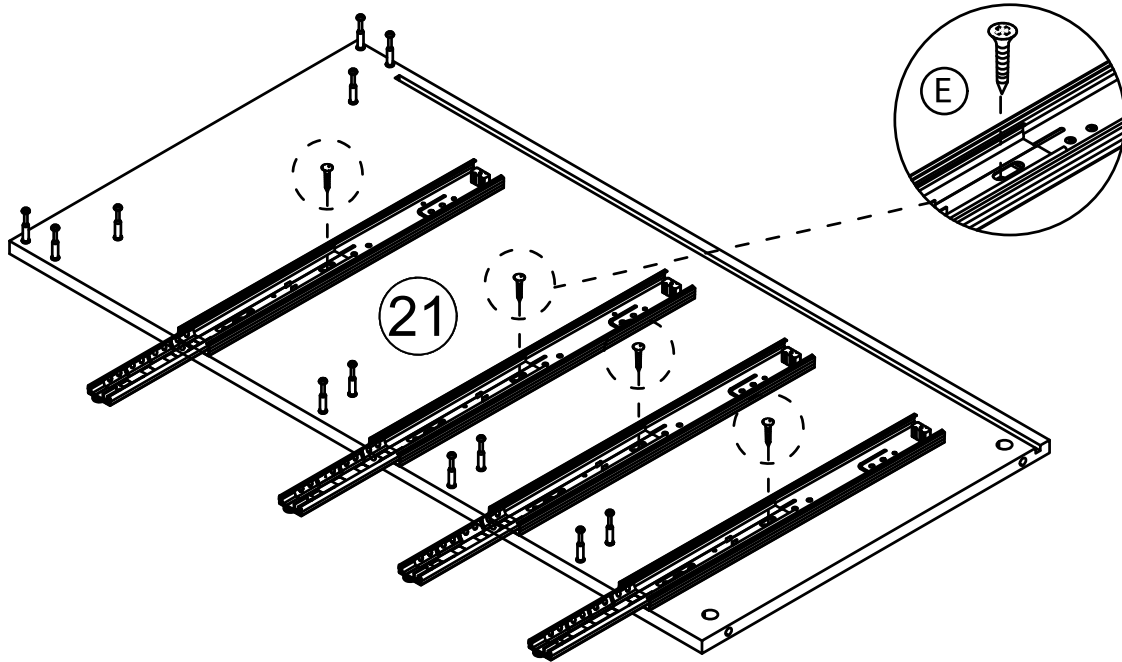


Step 39



Step 40

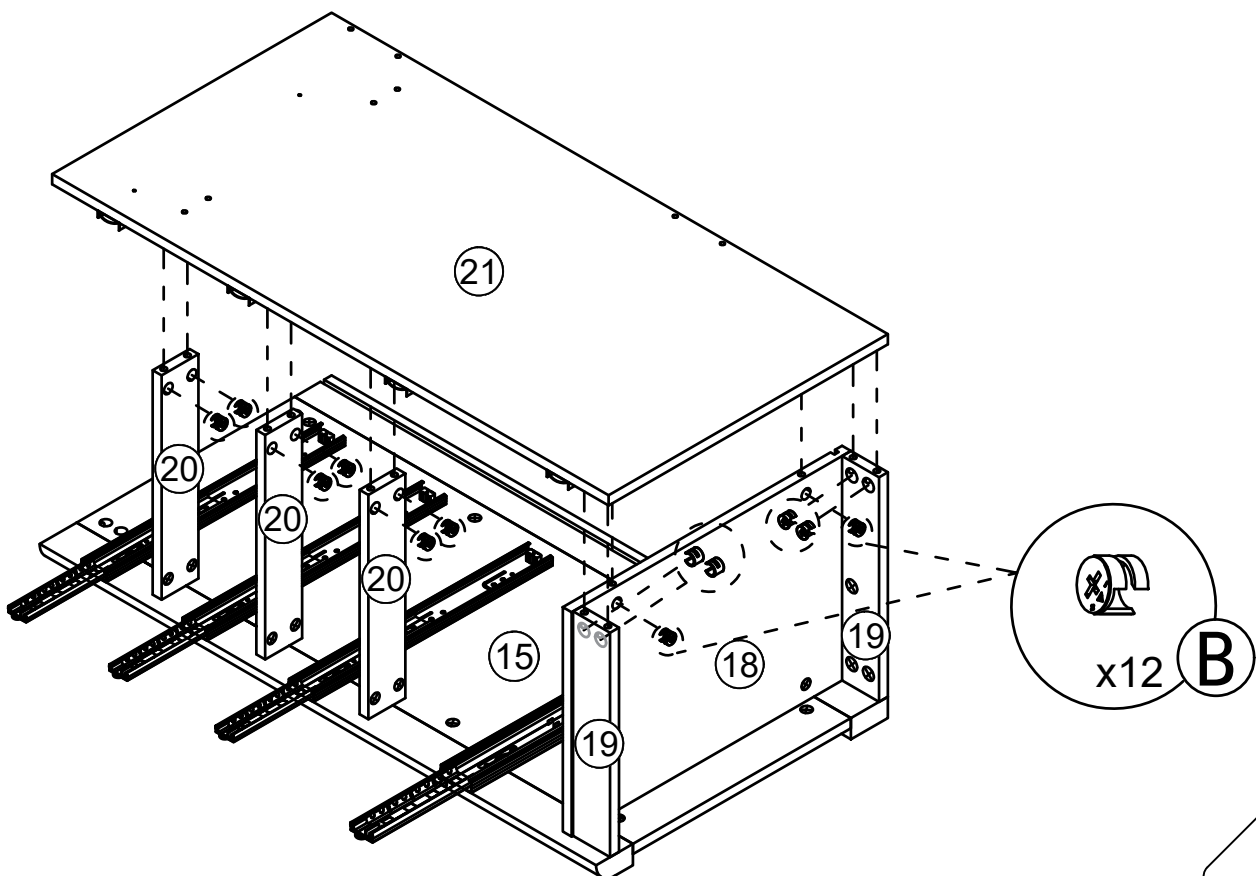
(E)  x 4



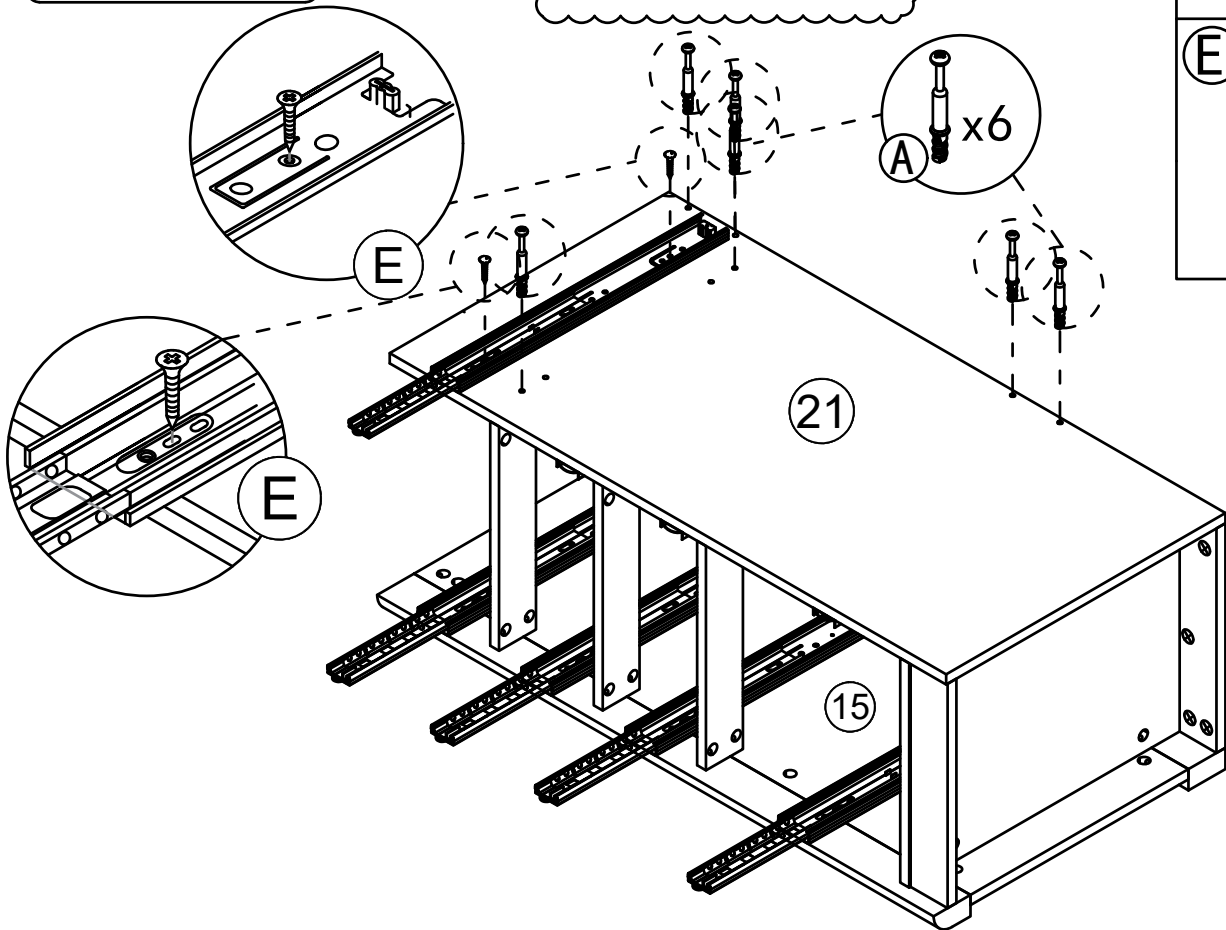
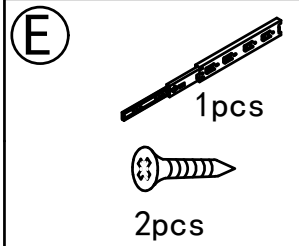
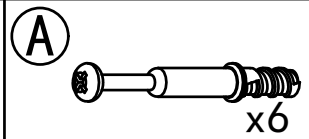
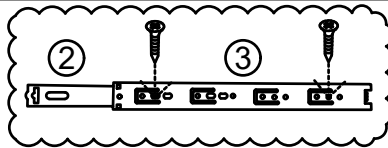
This hole is for strengthening fixed hole customers can choose to install according to their needs.

Step 41

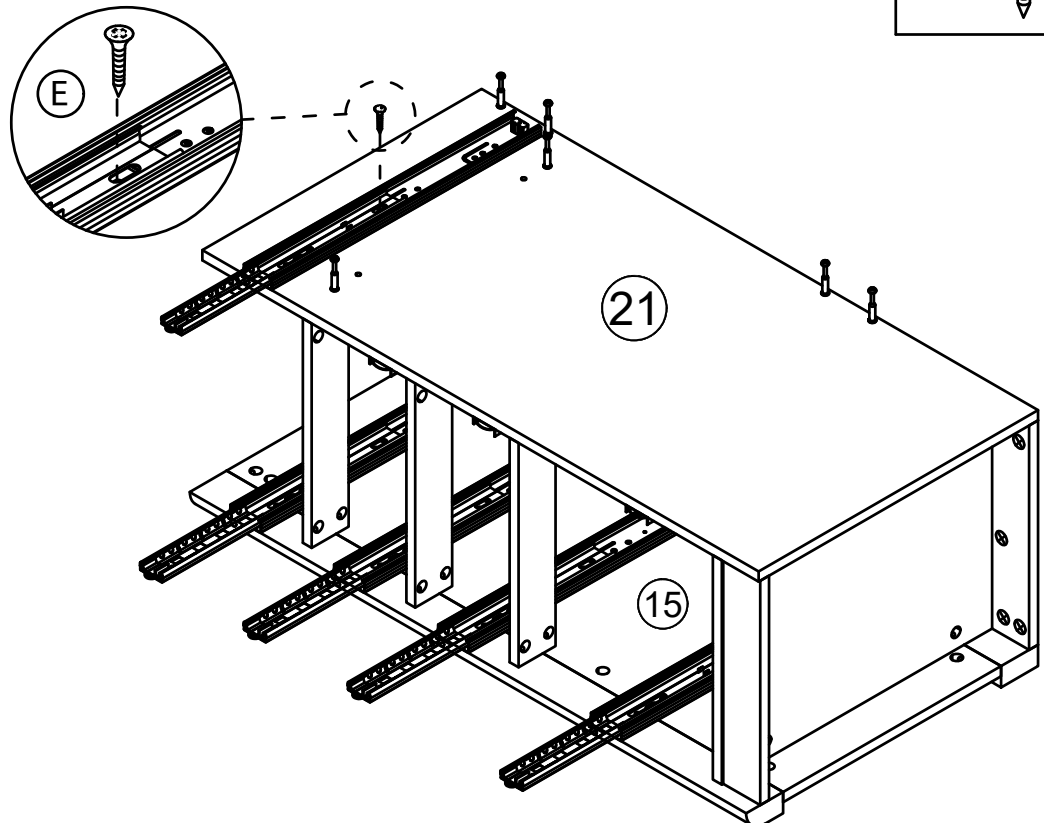
(B)  x12



Step 42

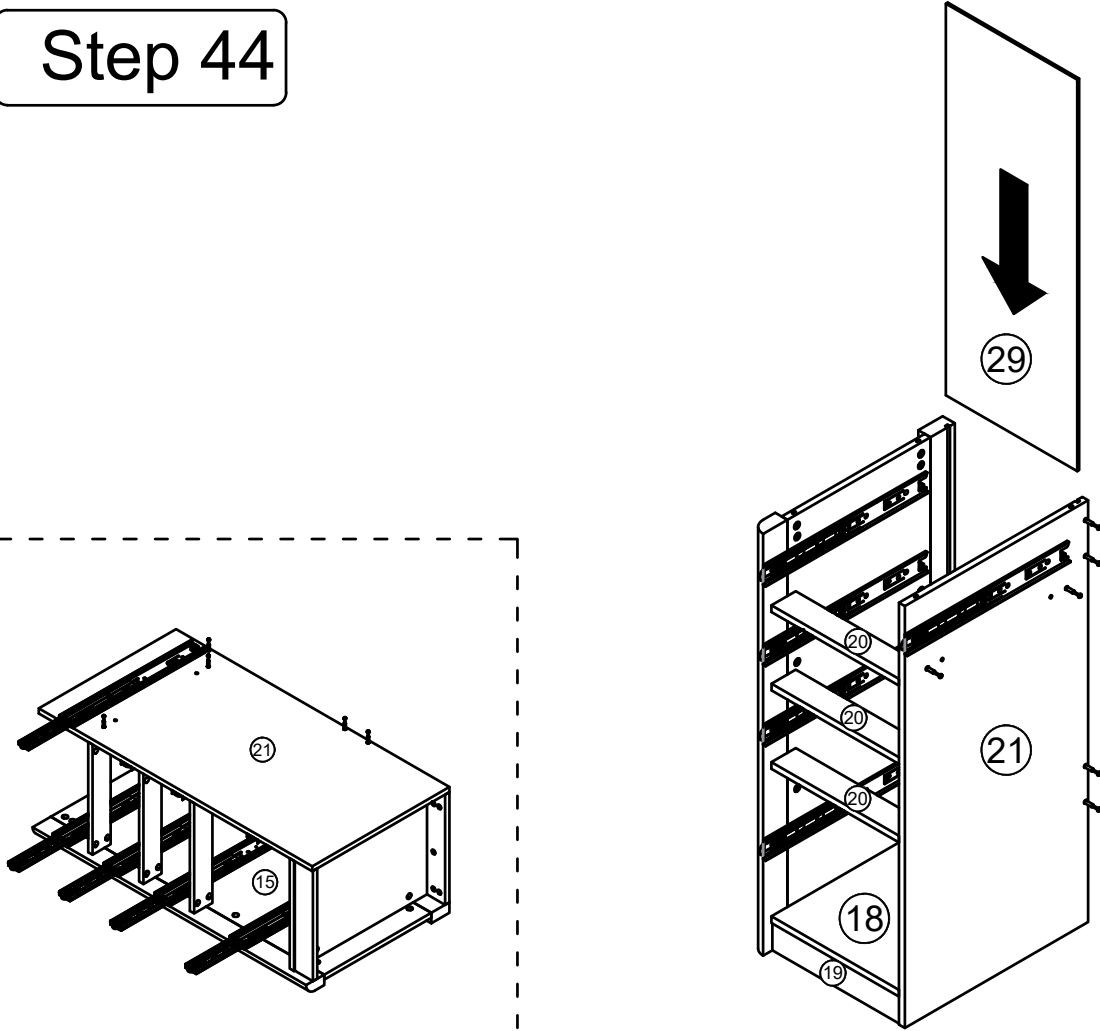


Step 43

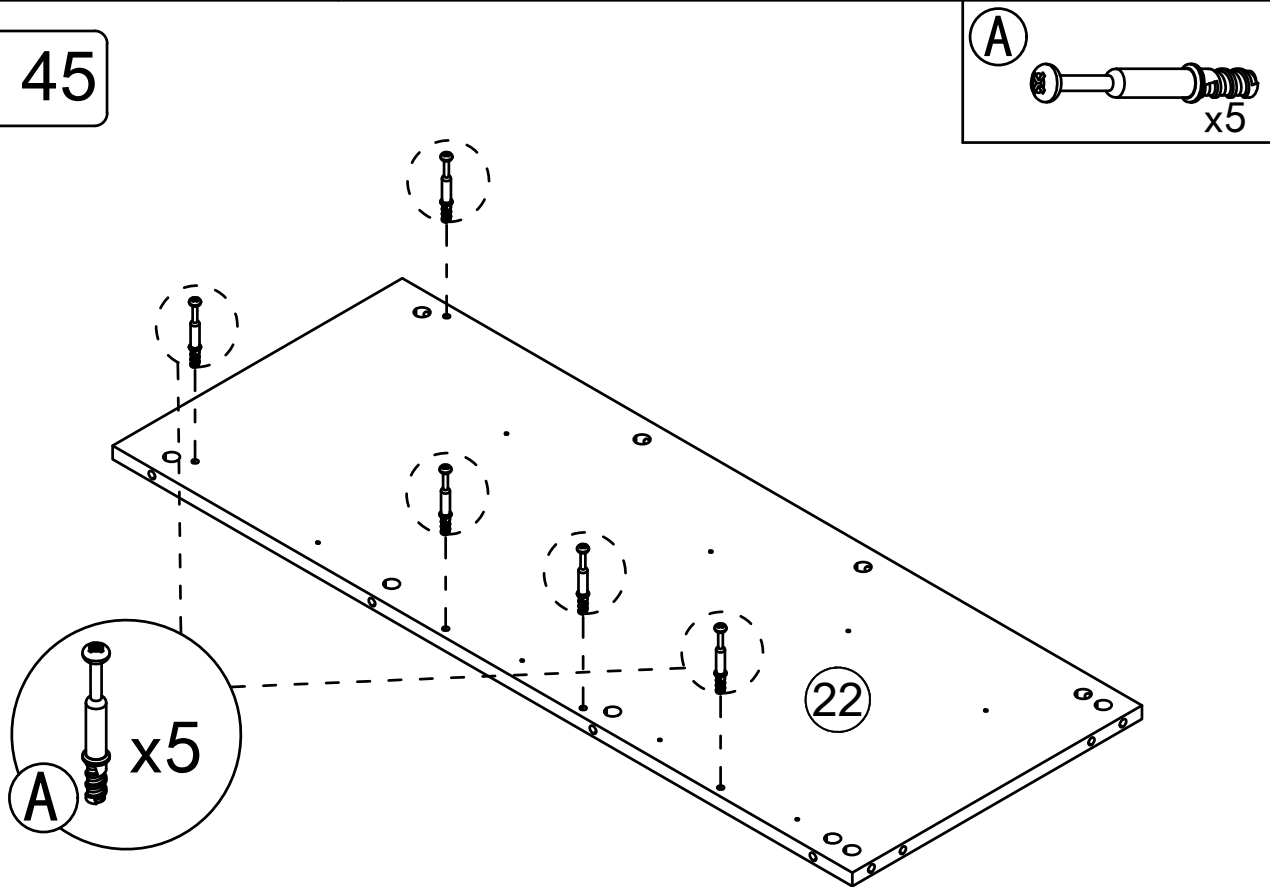


This hole is for strengthening fixed hole customers can choose to install according to their needs.

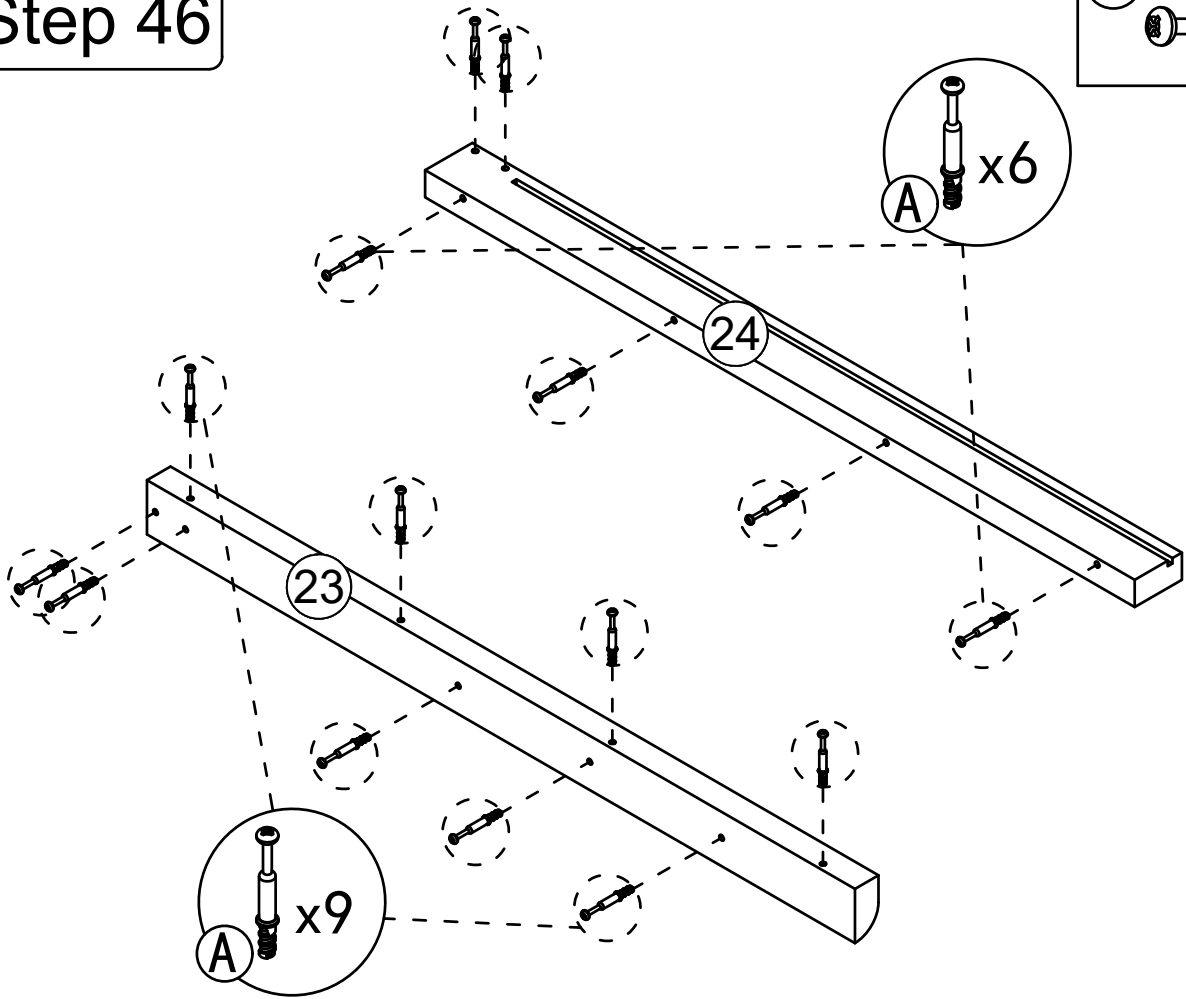
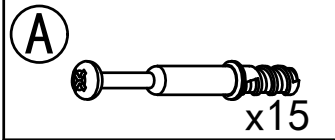
Step 44



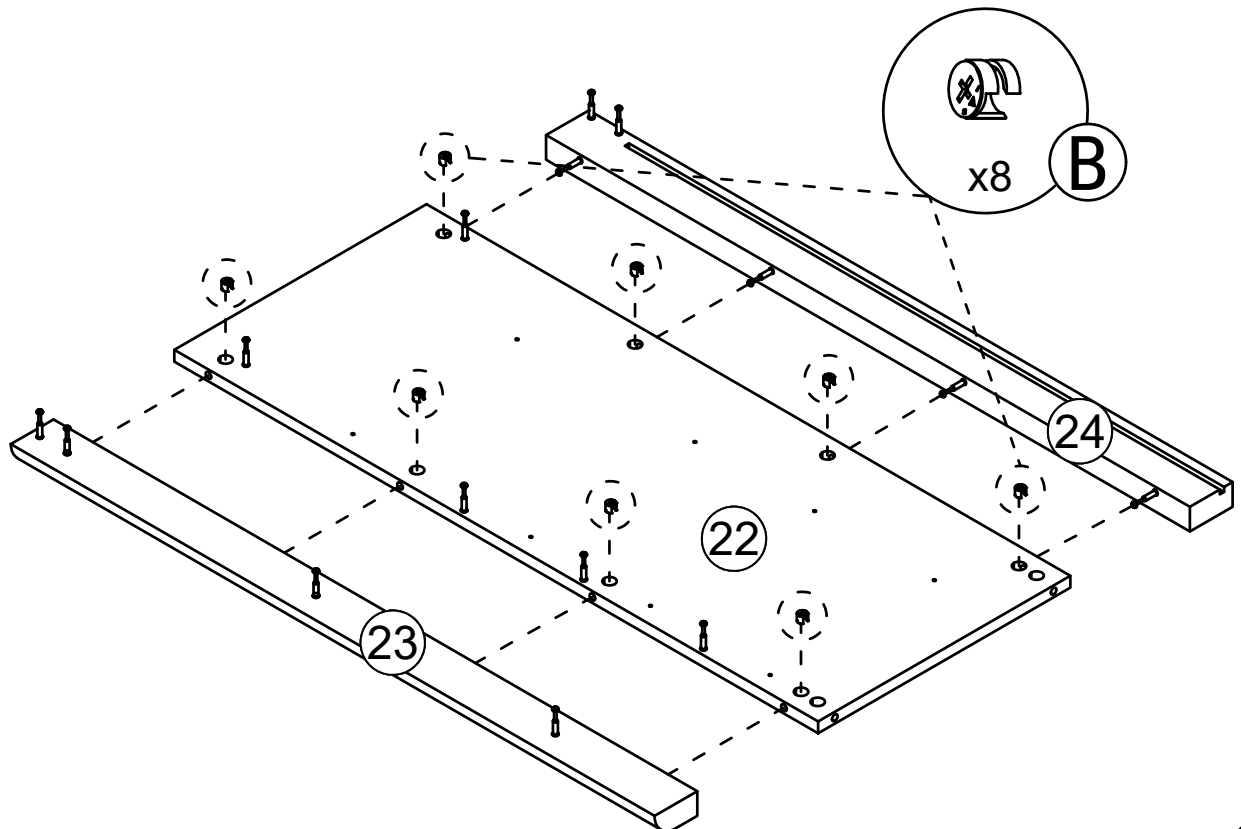
Step 45



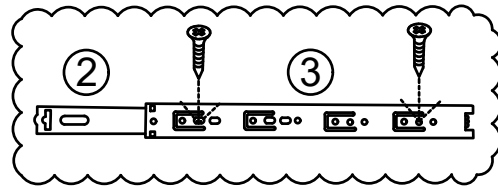
Step 46



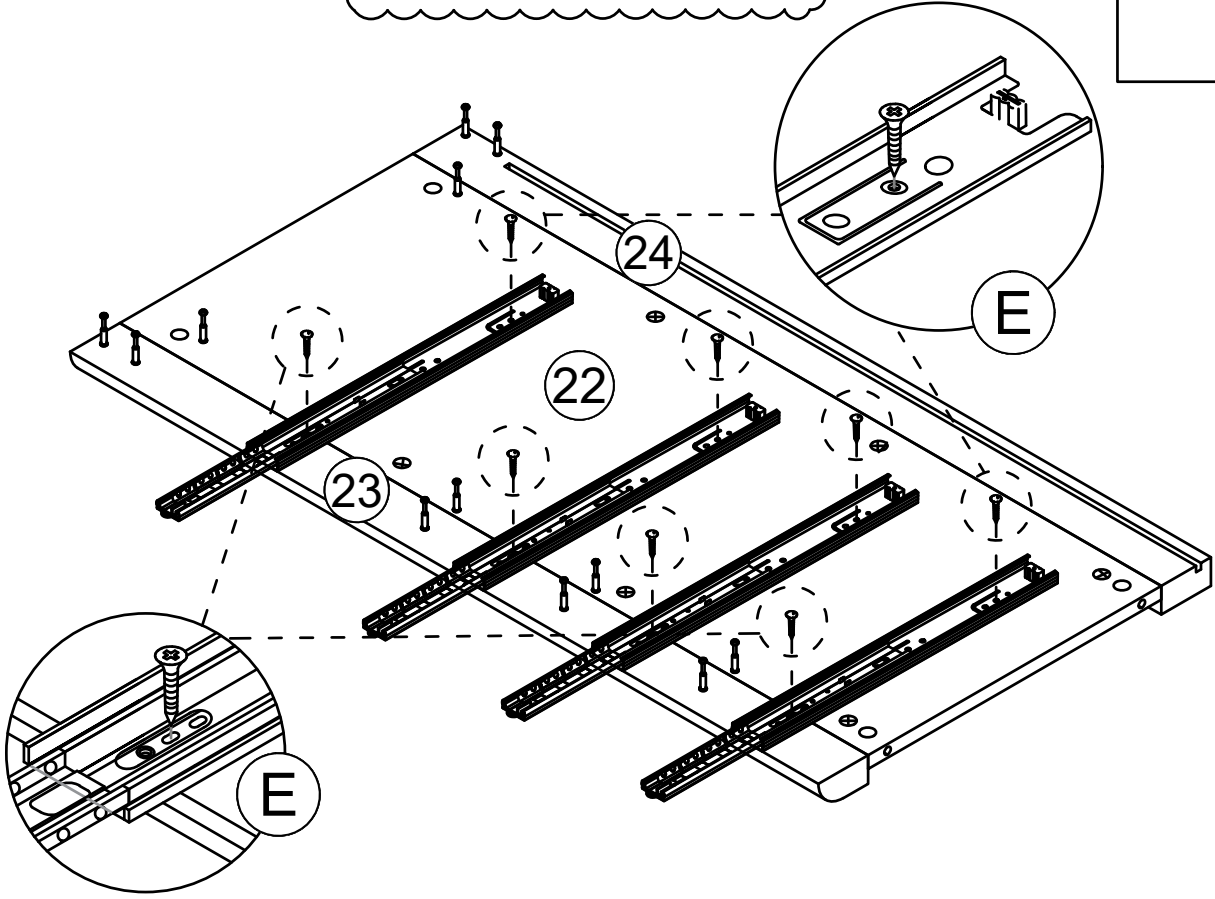
Step 47



Step 48

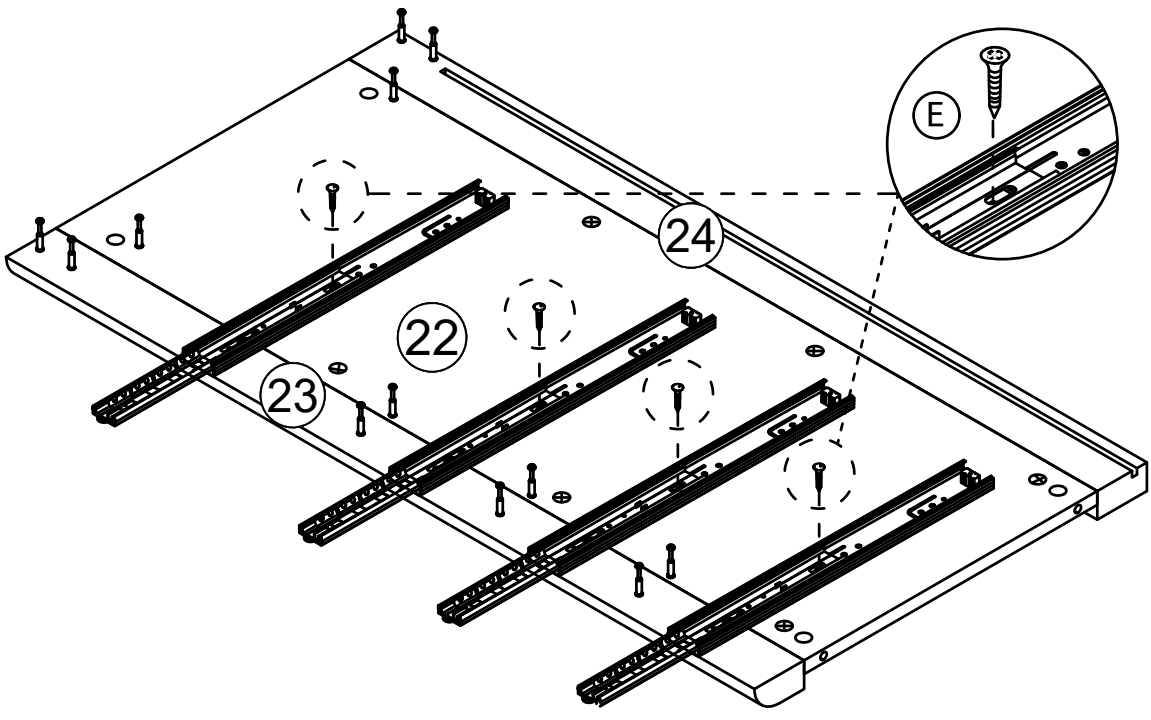


- (E) 4pcs
- 8pcs



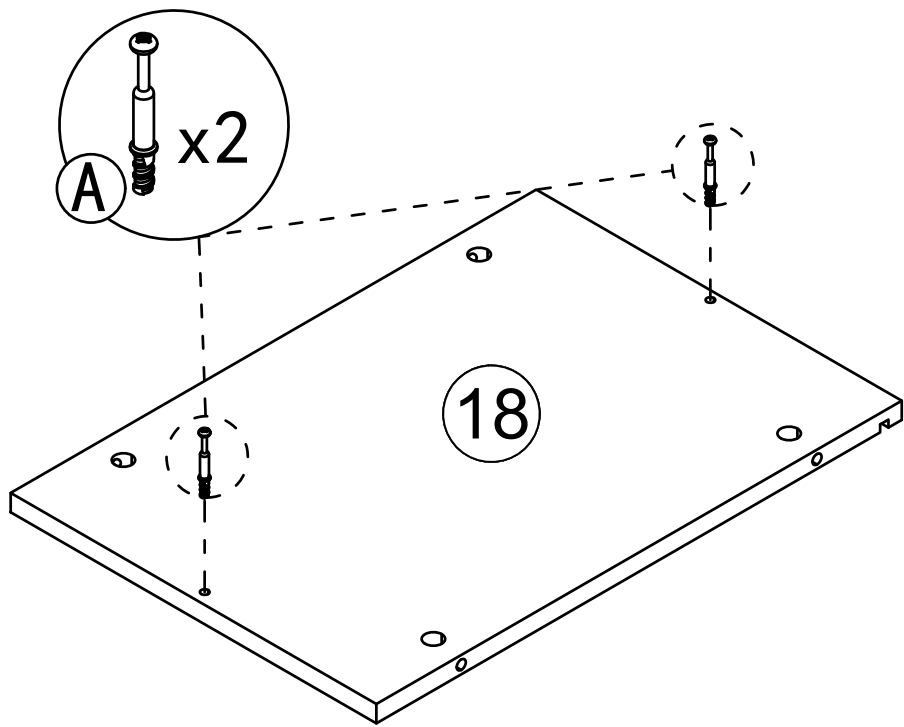
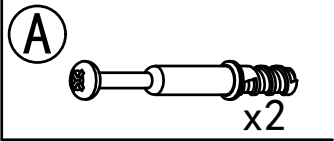
Step 49

- (E) x 4

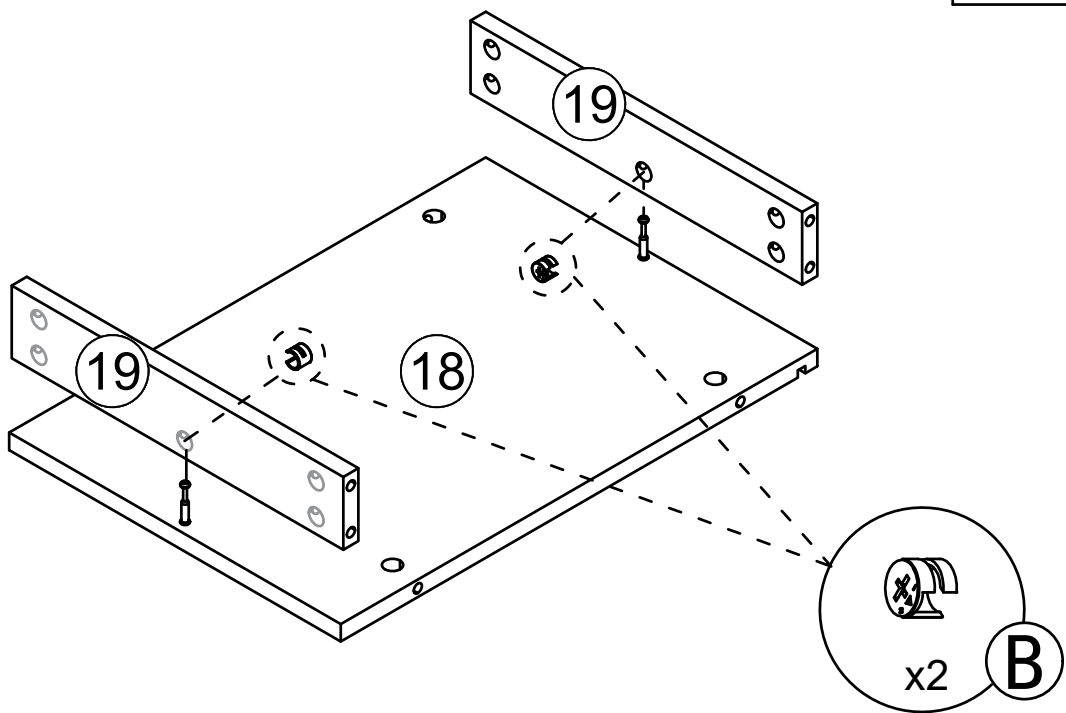
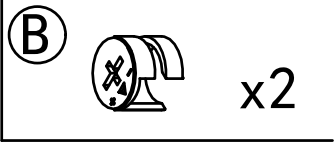


This hole is for strengthening fixed hole customers canchoose to install according to their needs.

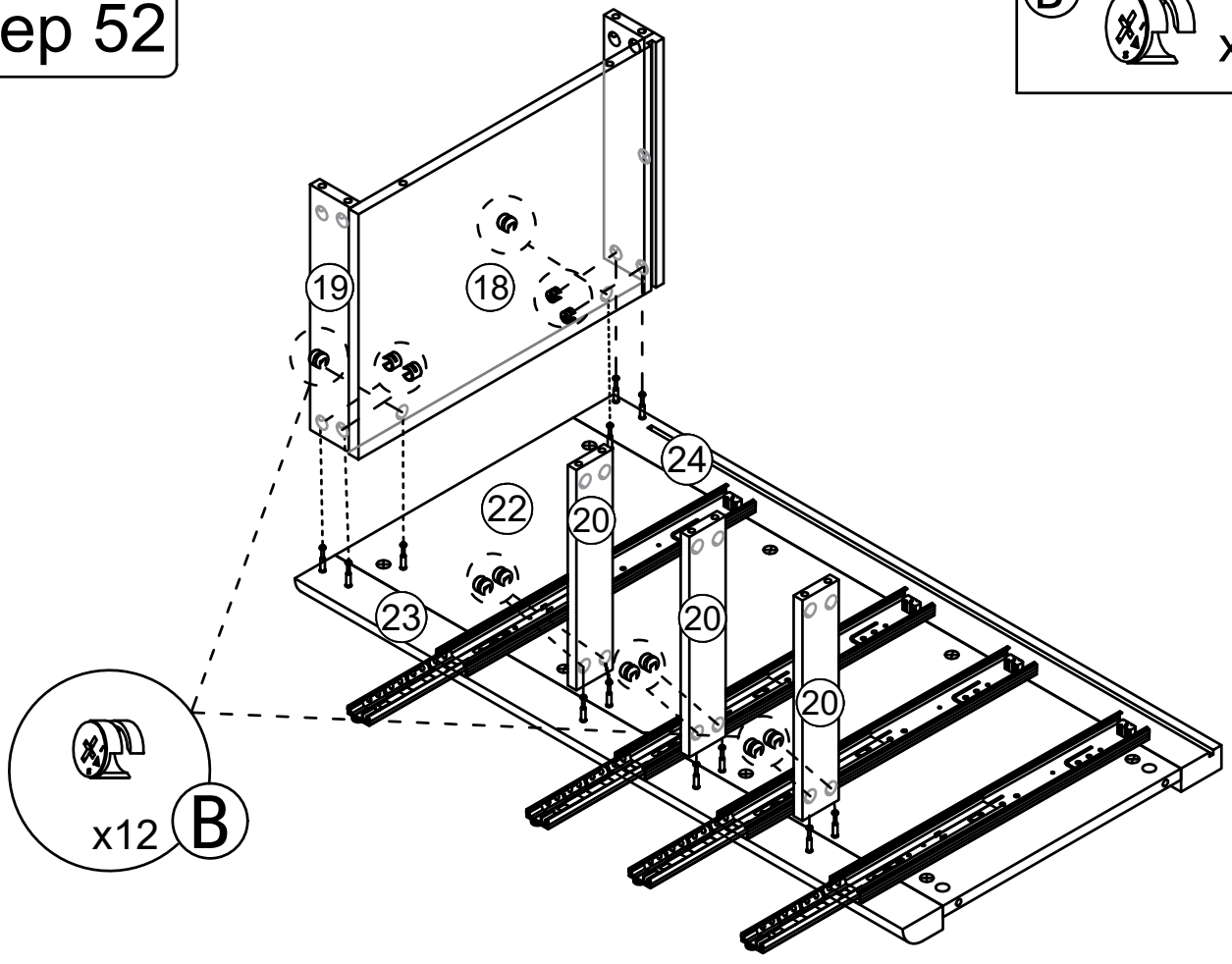
Step 50



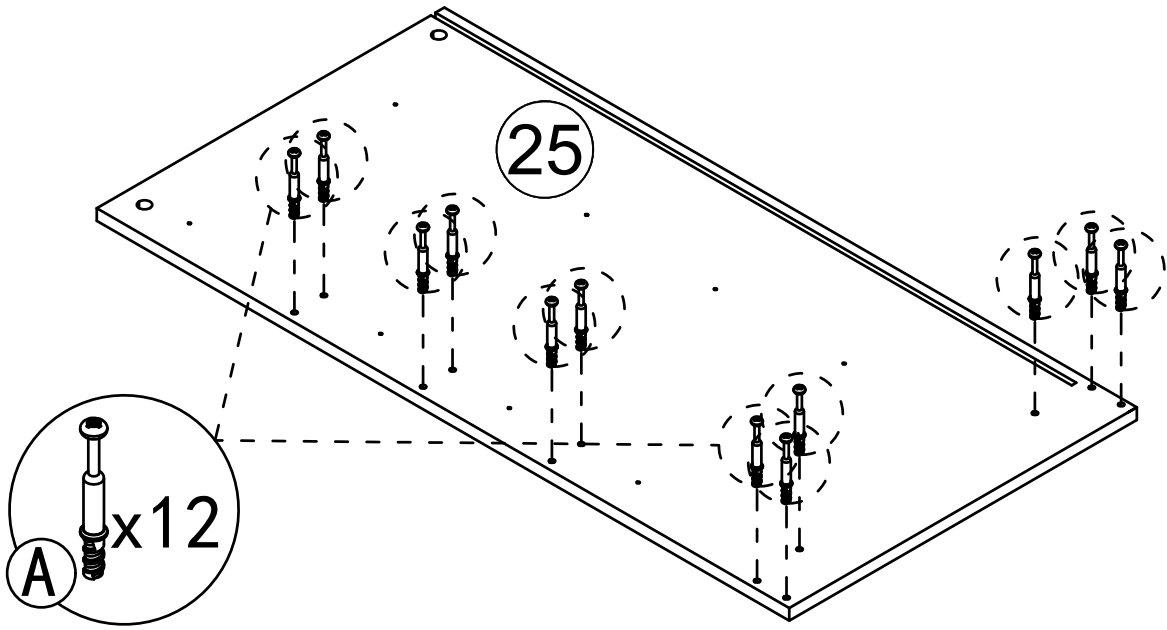
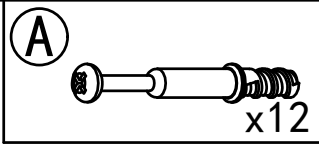
Step 51



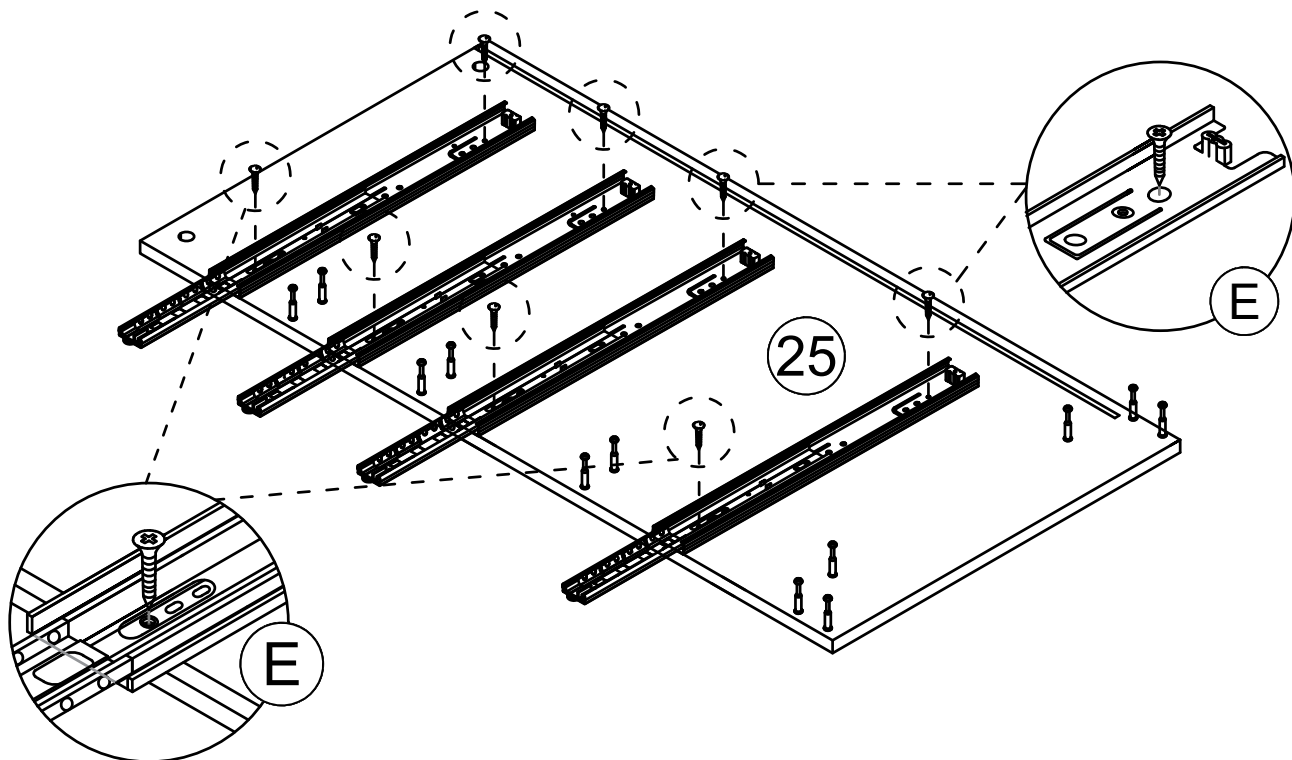
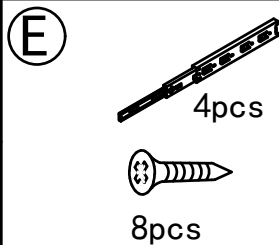
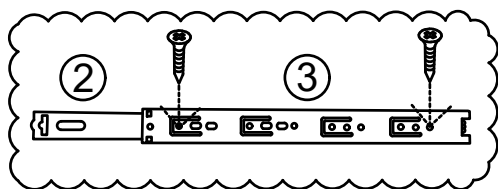
Step 52



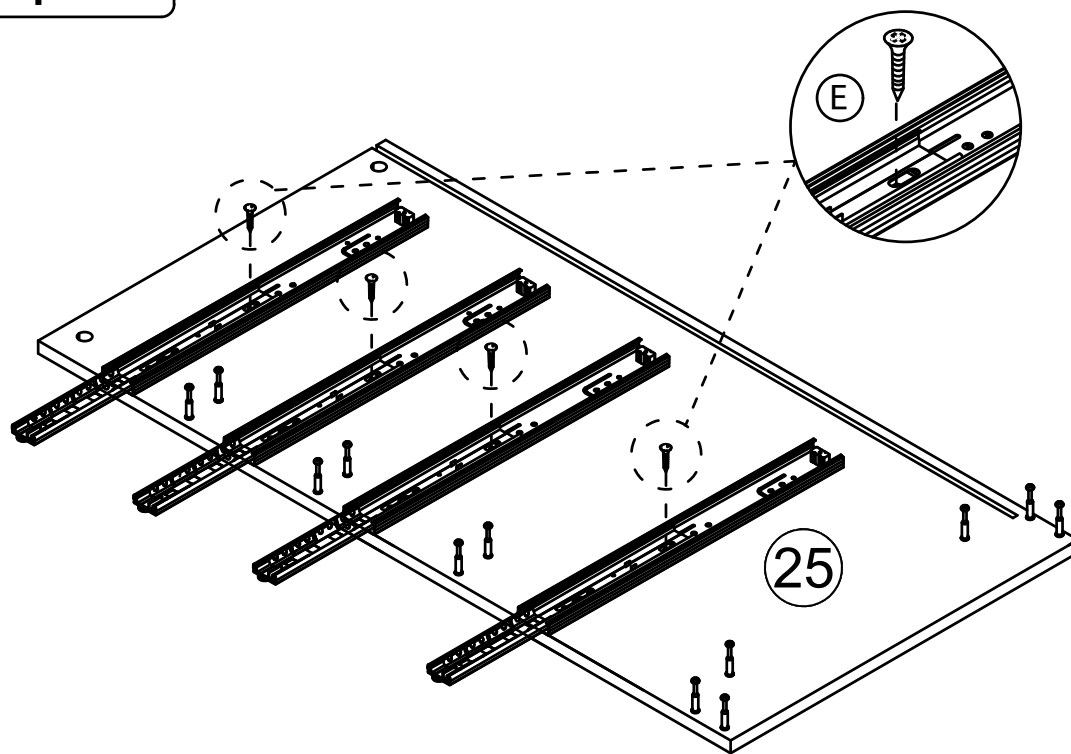
Step 53



Step 54



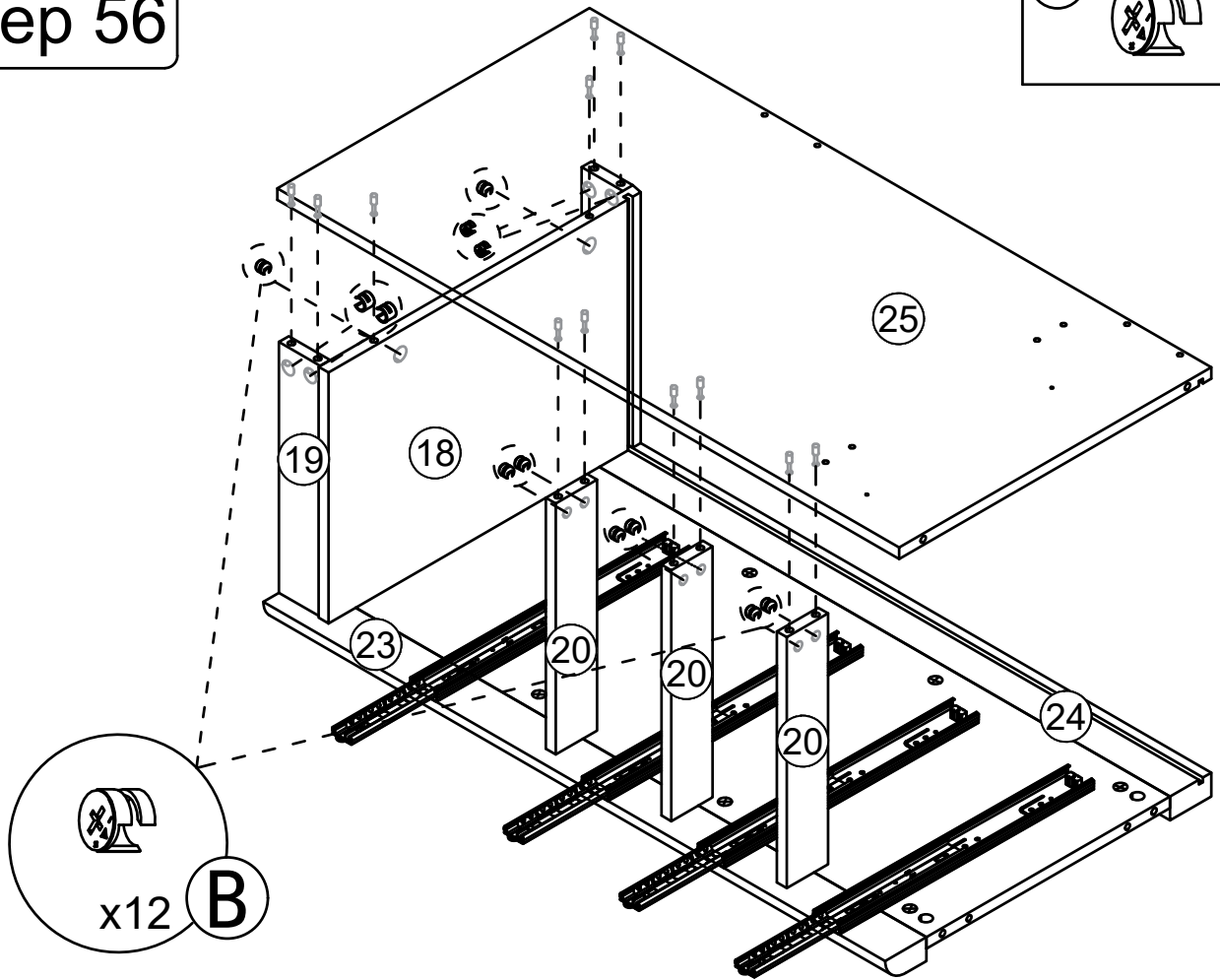
Step 55



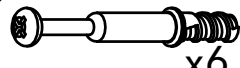
This hole is for strengthening fixed hole customers canchoose to install according to their needs.

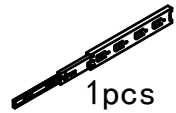

Step 56

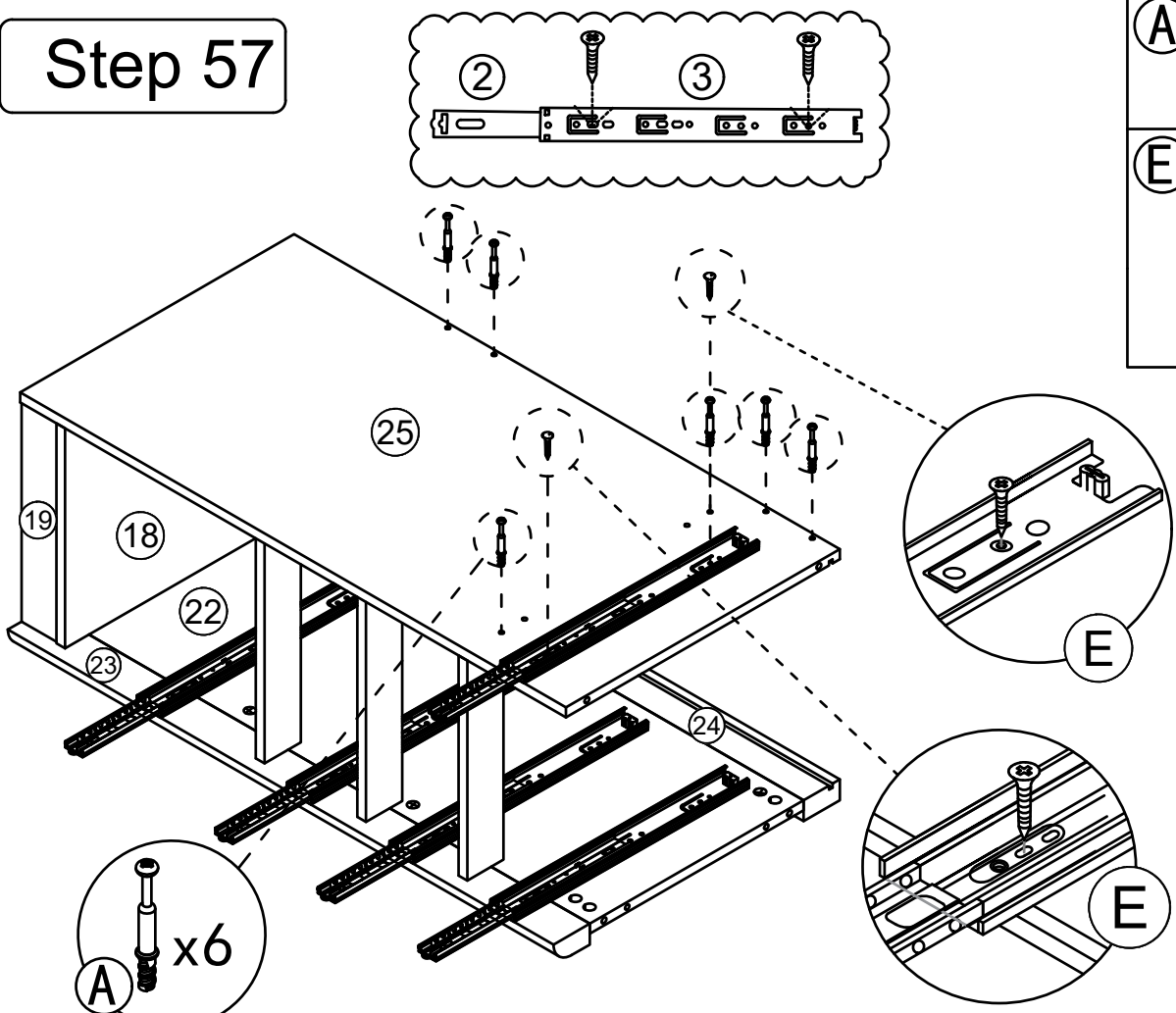
B  x12



Step 57

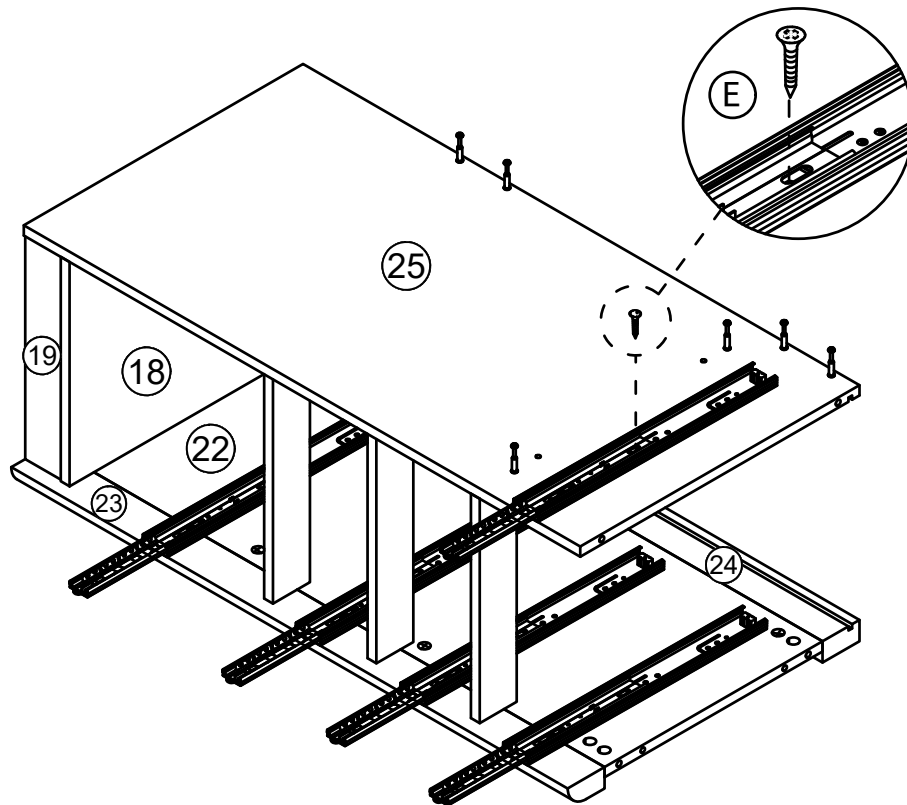
A  x6

E  1pcs
 2pcs



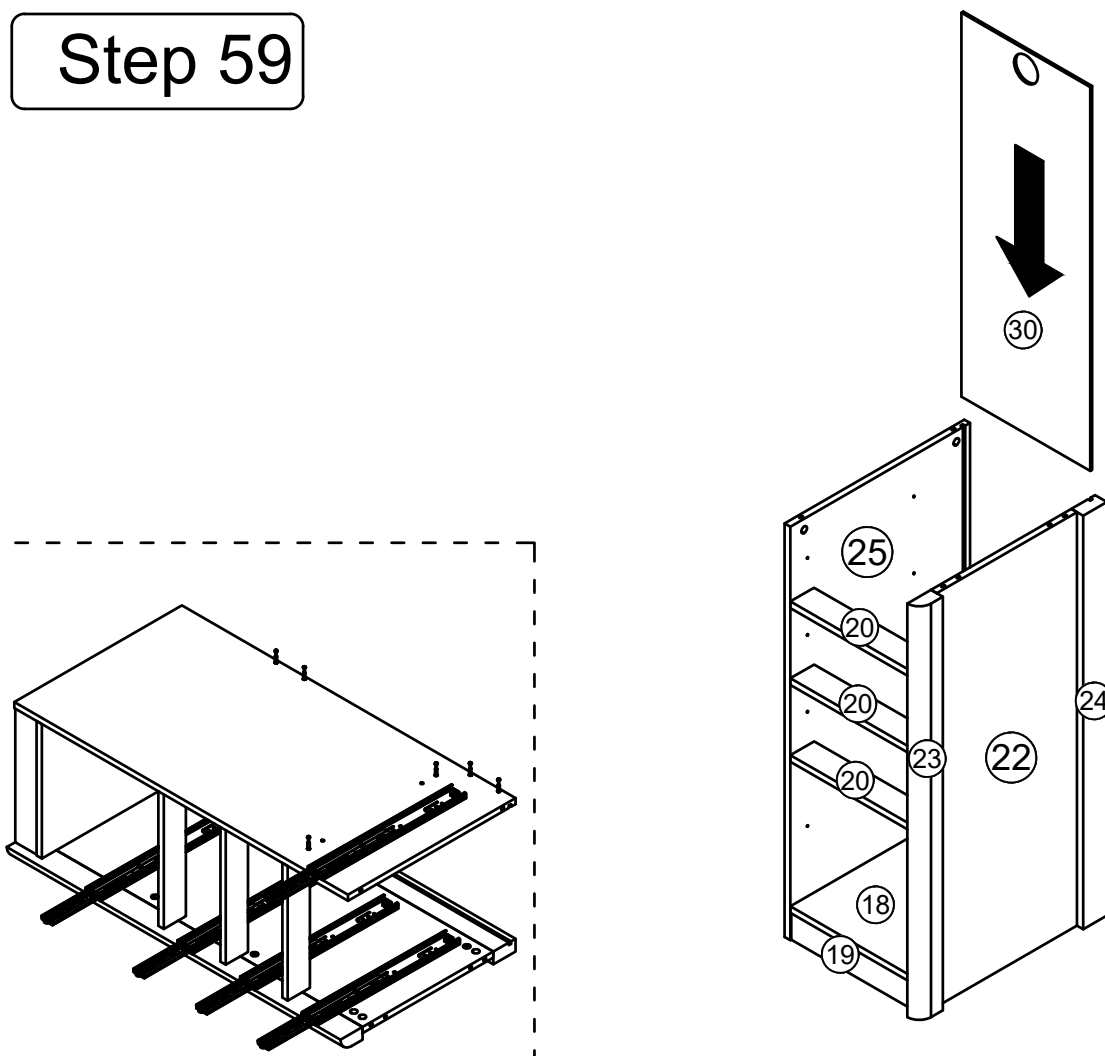
Step 58

(E)  x 1

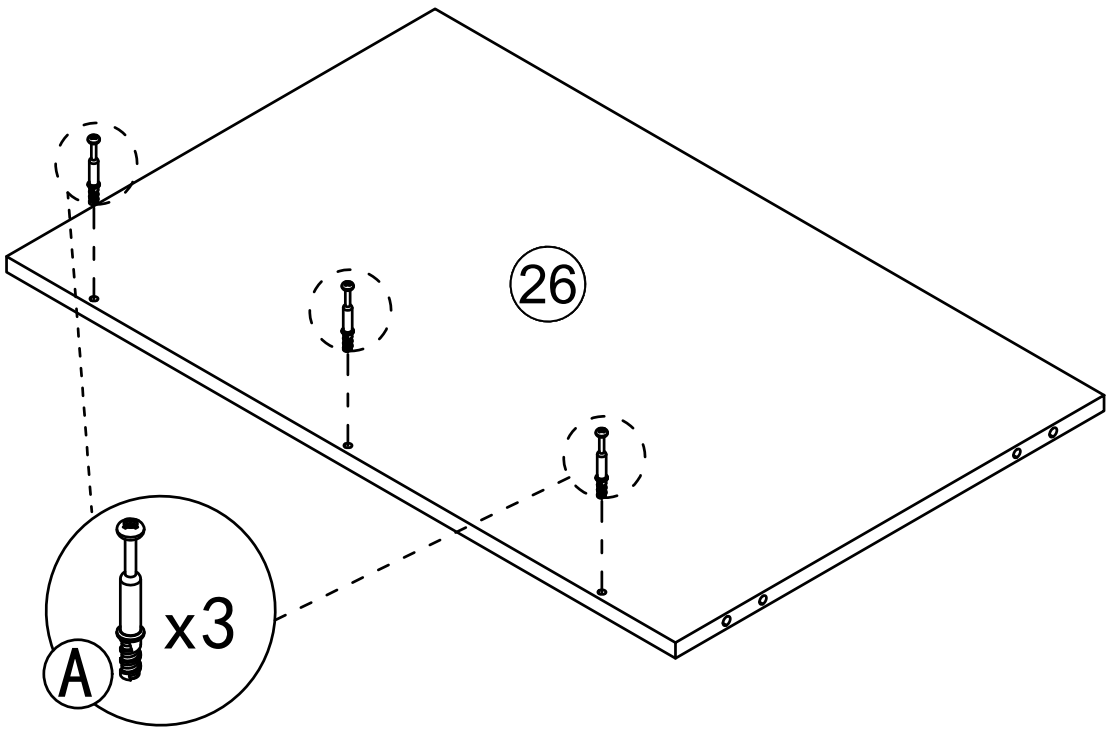
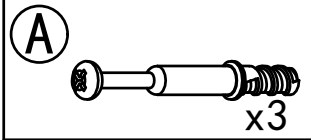


This hole is for strengthening fixed hole customers can choose to install according to their needs.

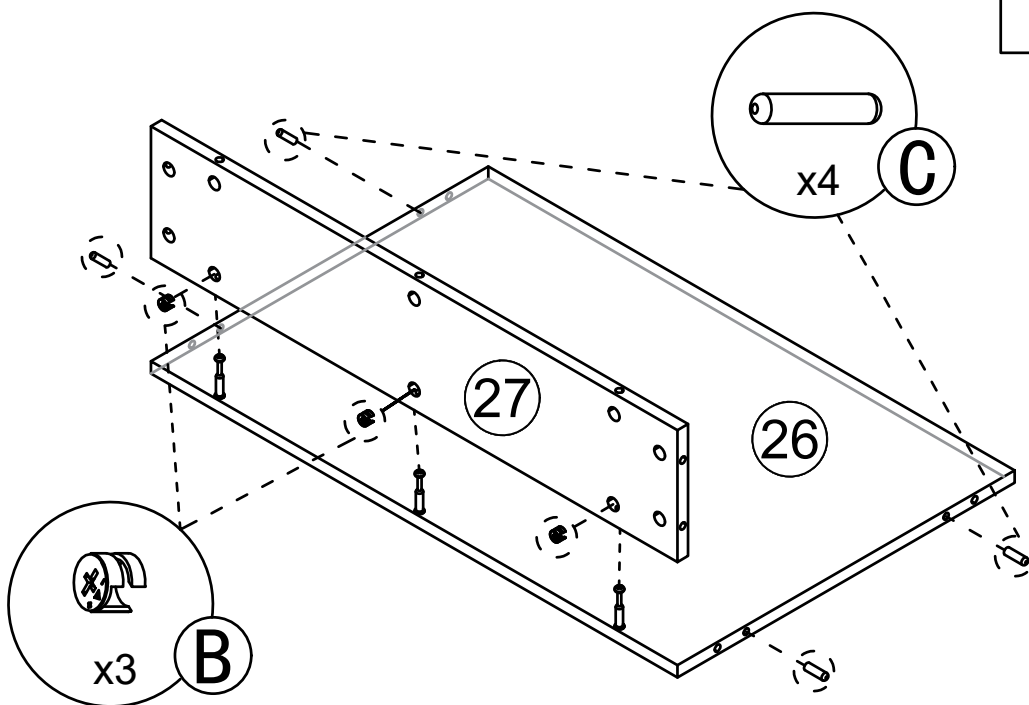
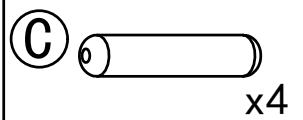
Step 59



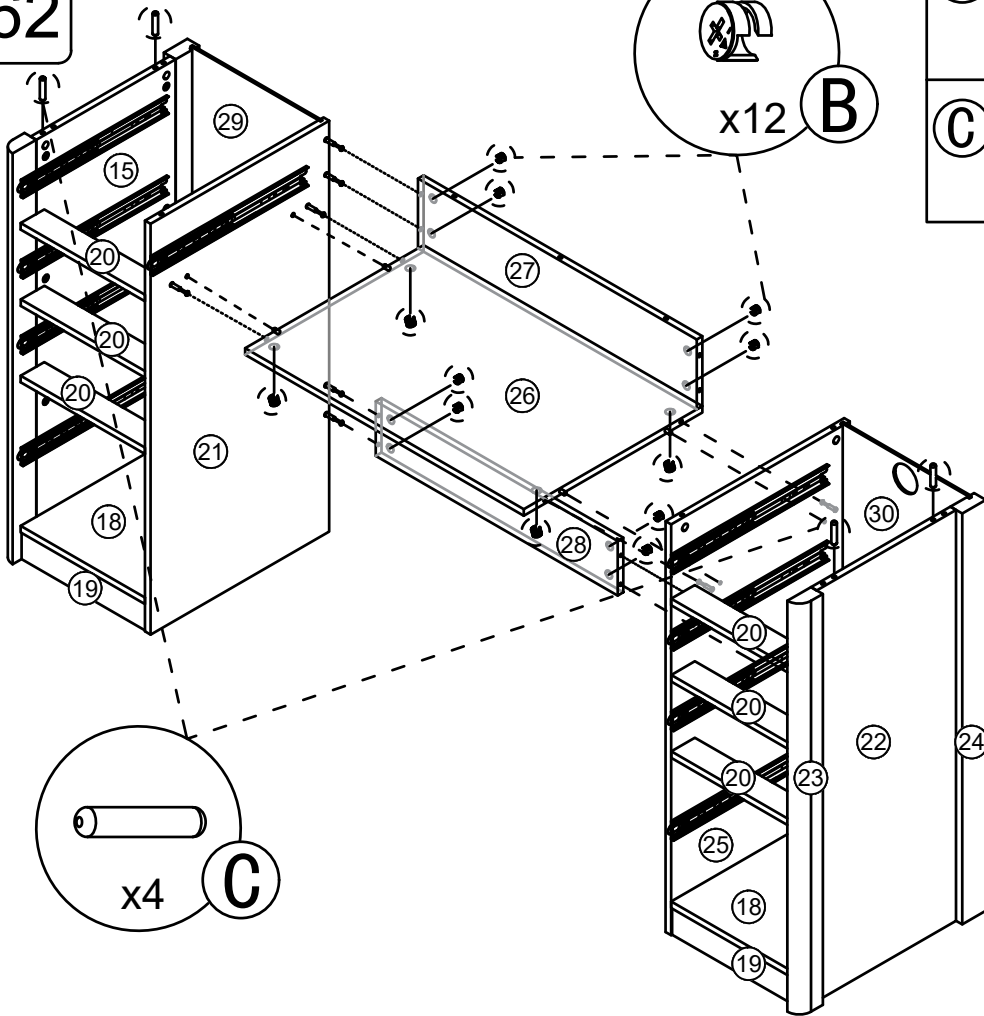
Step 60


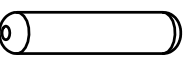


Step 61

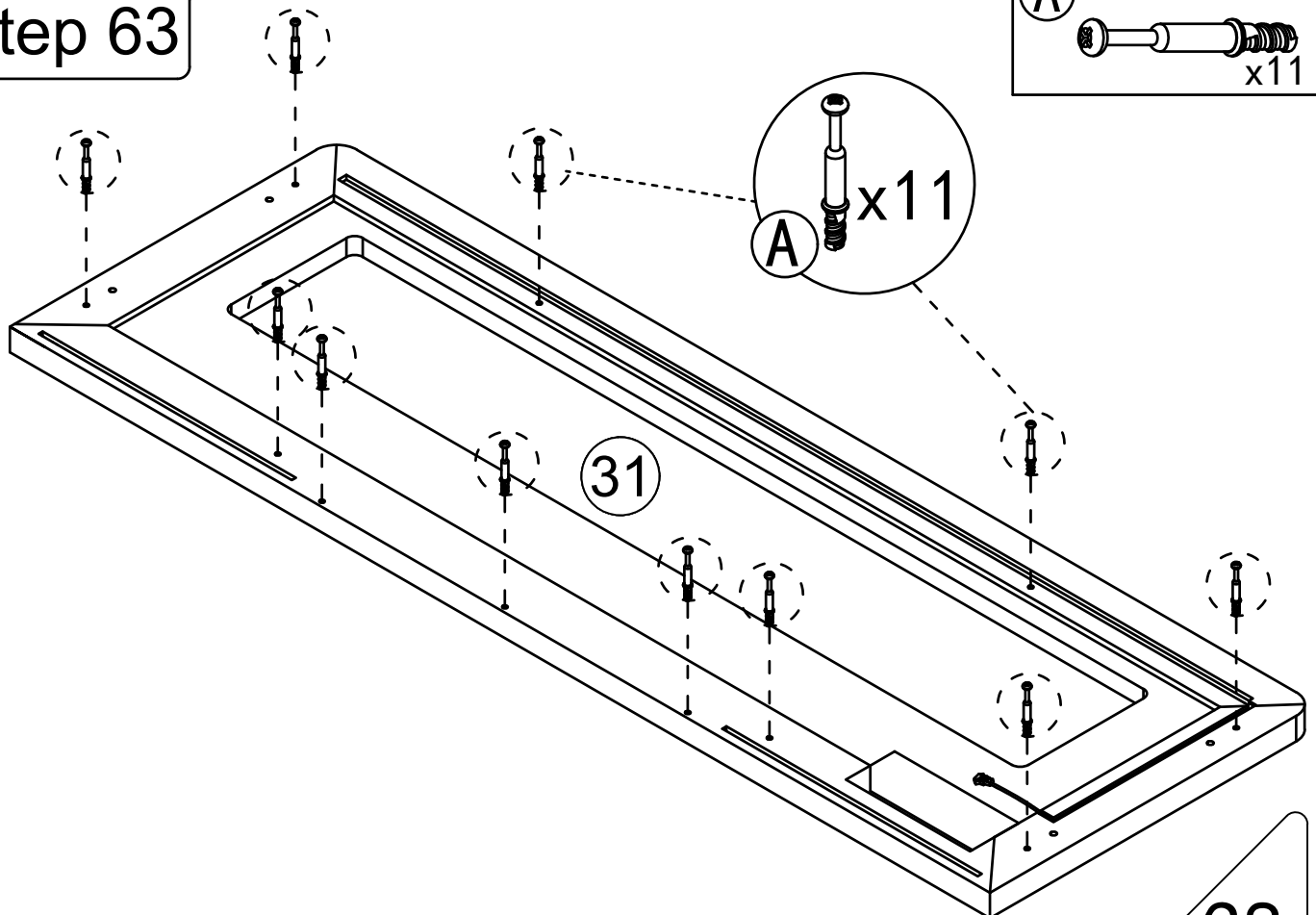


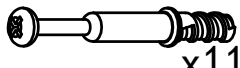
Step 62



- B**  x12
- C**  x4


Step 63

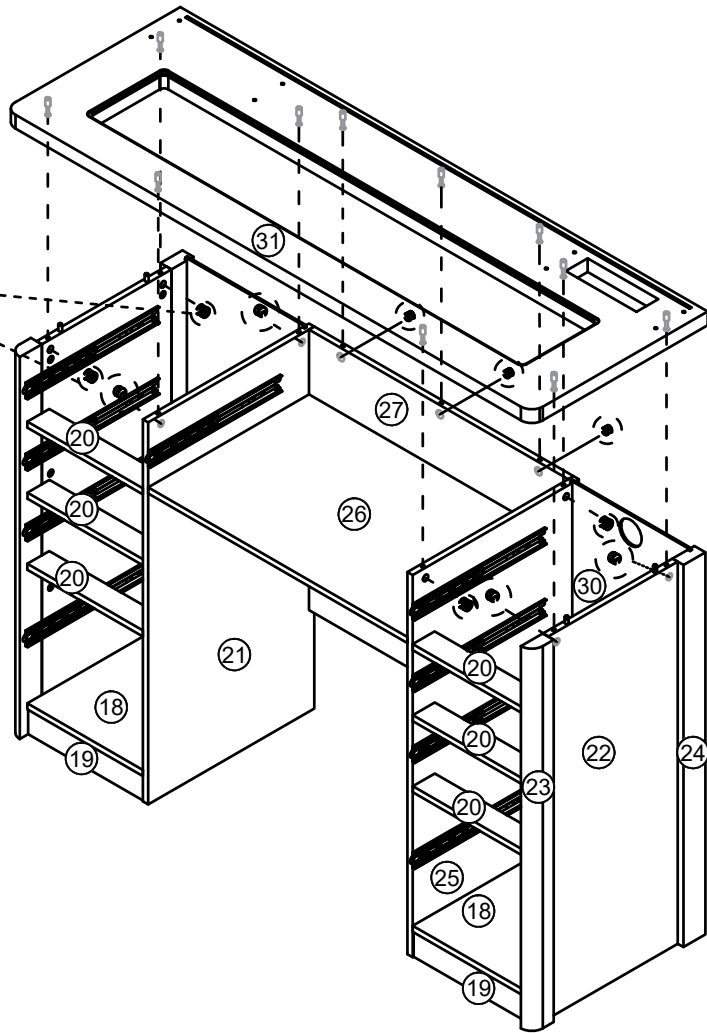


- A**  x11

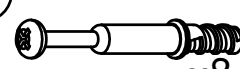
Step 64


B  x11

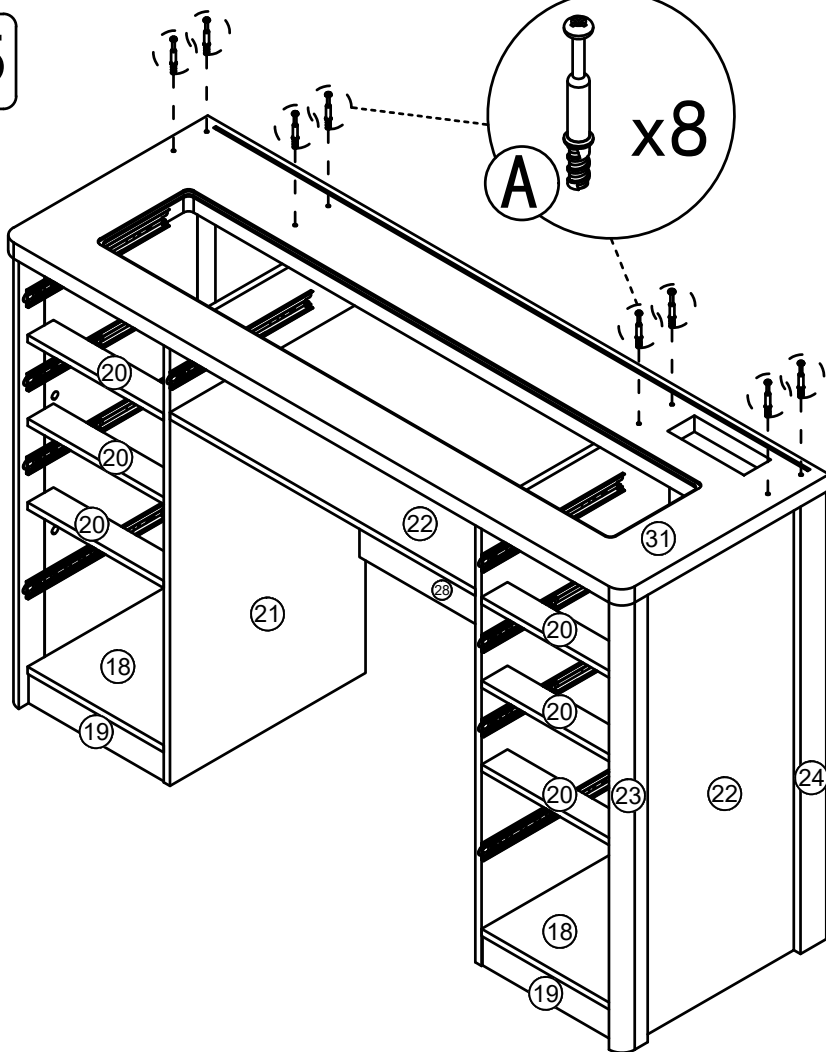
 x11 **B**

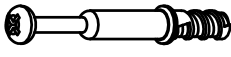

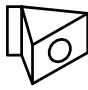



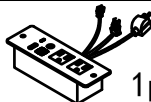






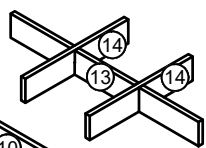
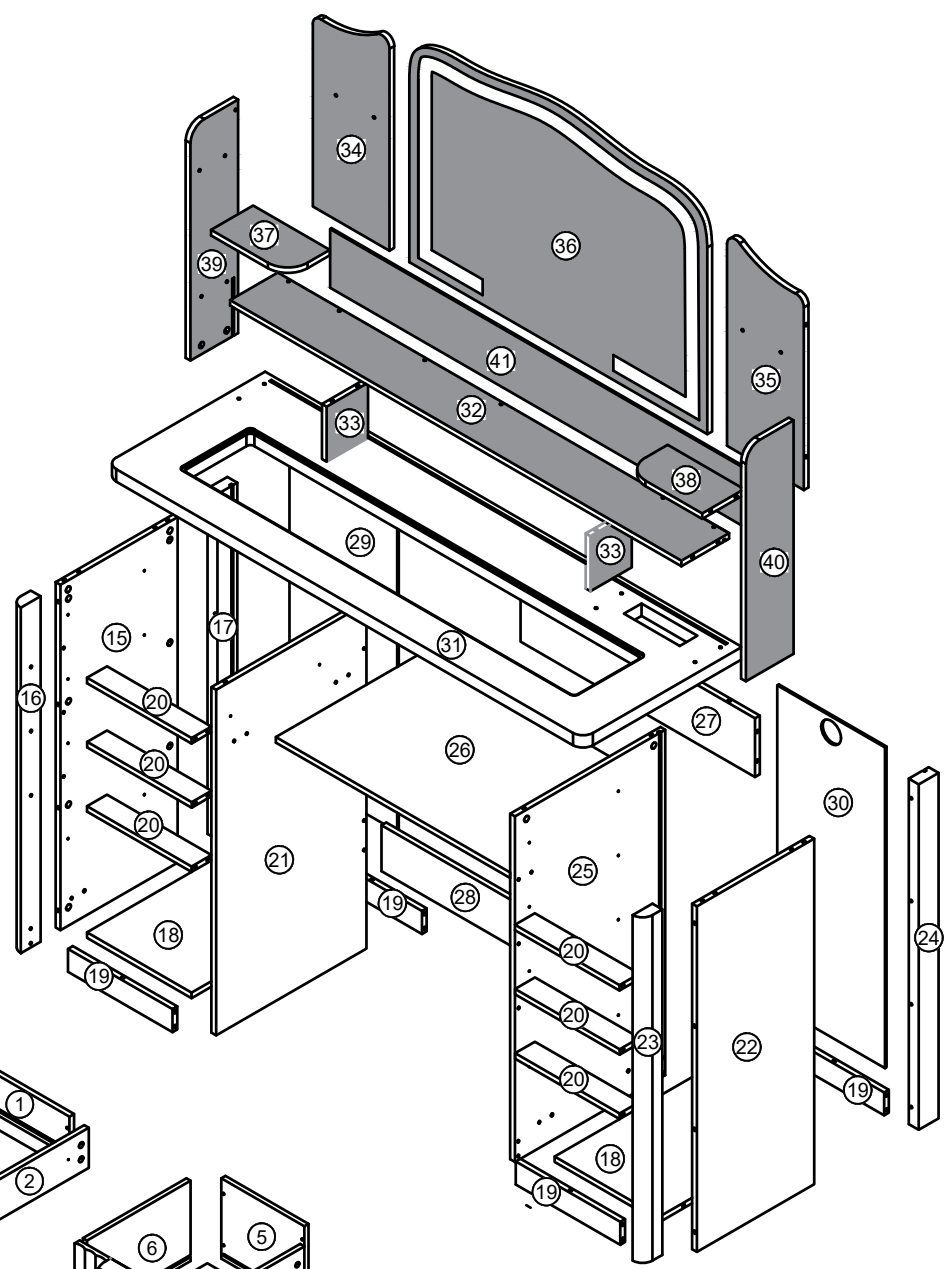
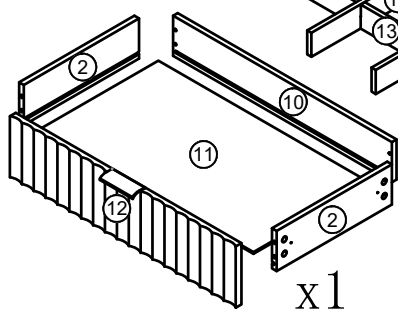
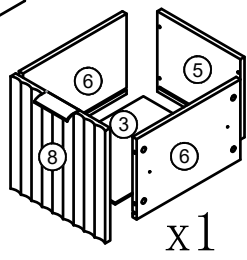
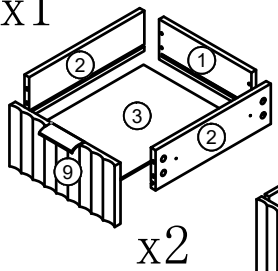
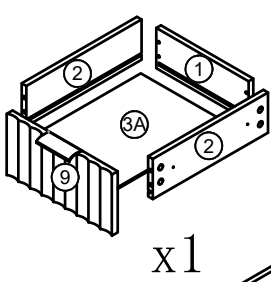
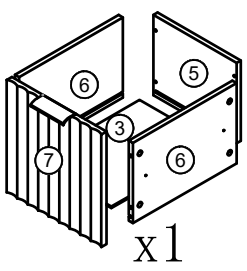
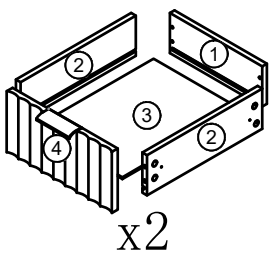
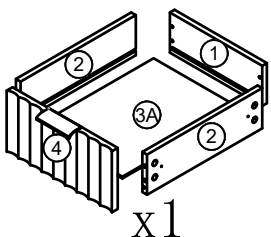
Step 65

A  x8

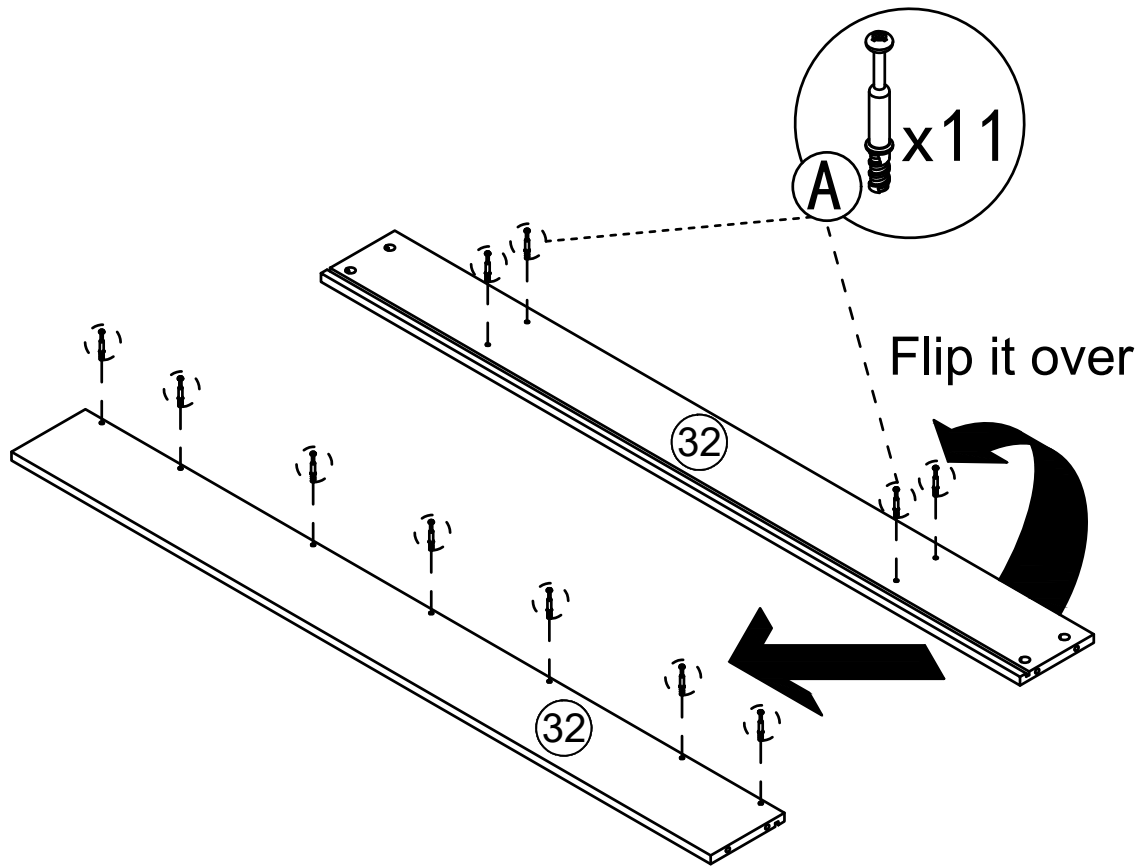
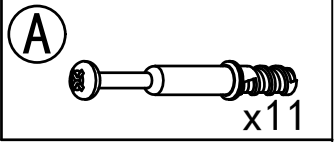
 x8 **A**



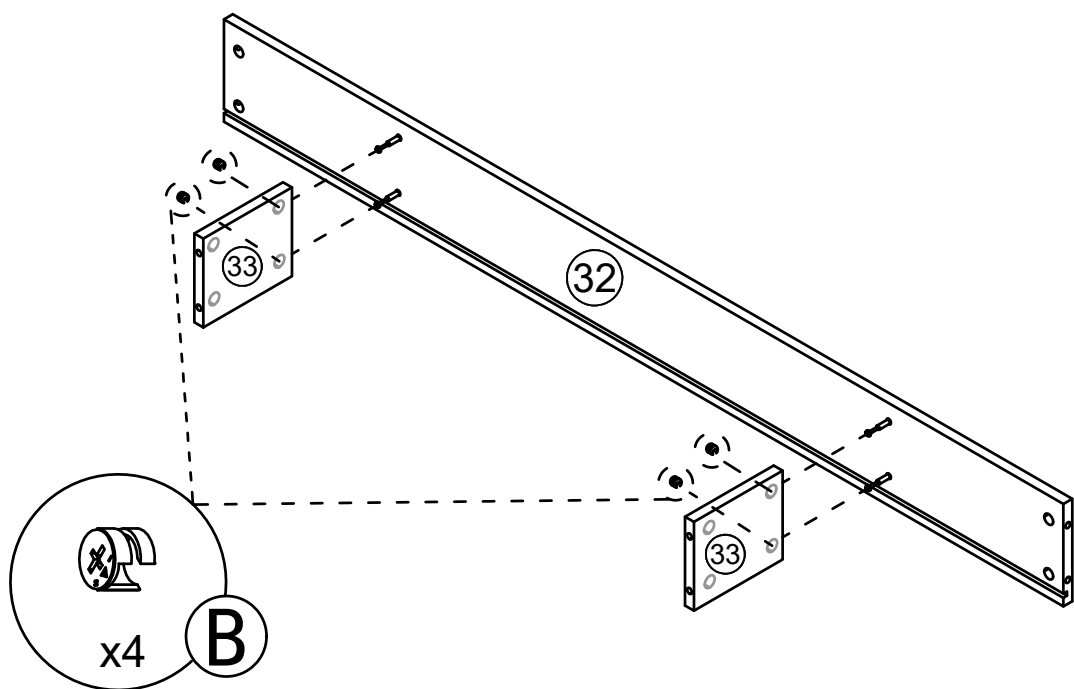
A		27pcs	B		35pcs
F	 11pcs	 11pcs	G	 4pcs	 4pcs
H	 1pcs	 2pcs	I	 1pcs	1pcs
J		1pcs			1pcs



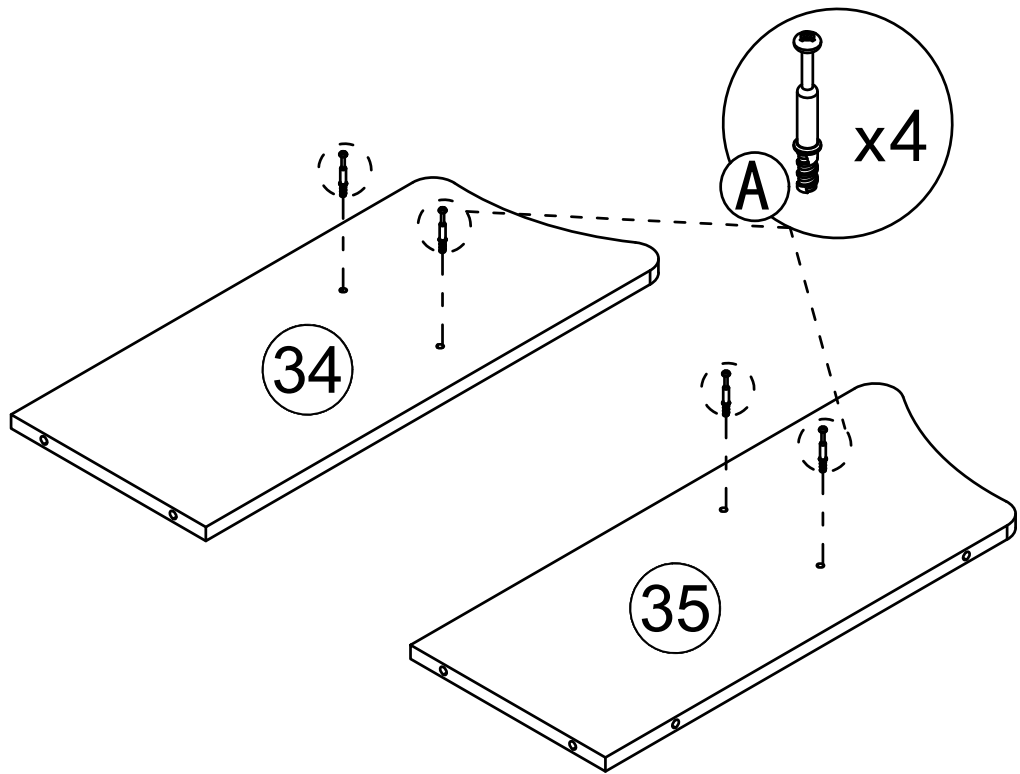
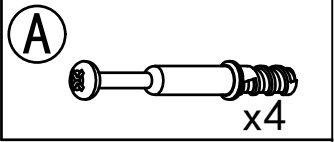
Step 66



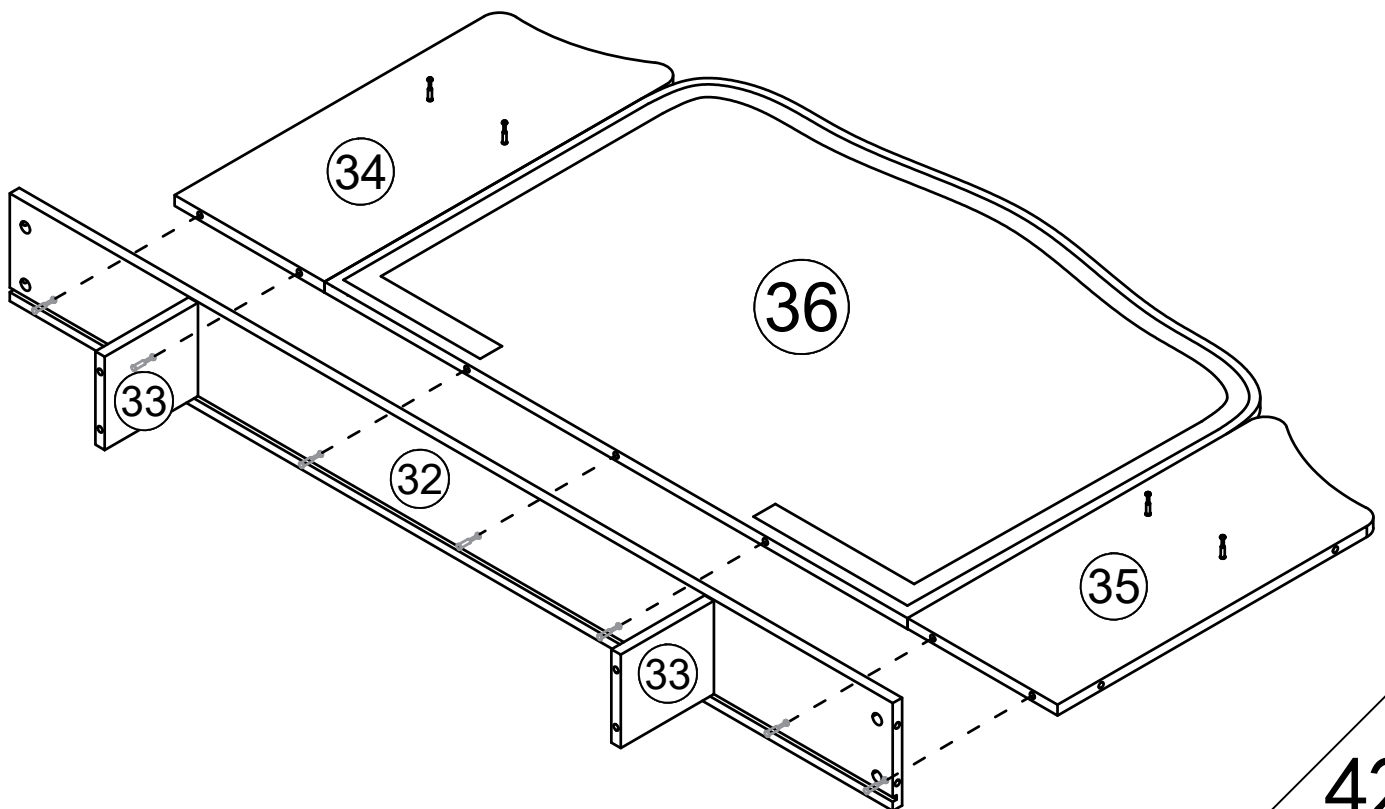
Step 67



Step 68

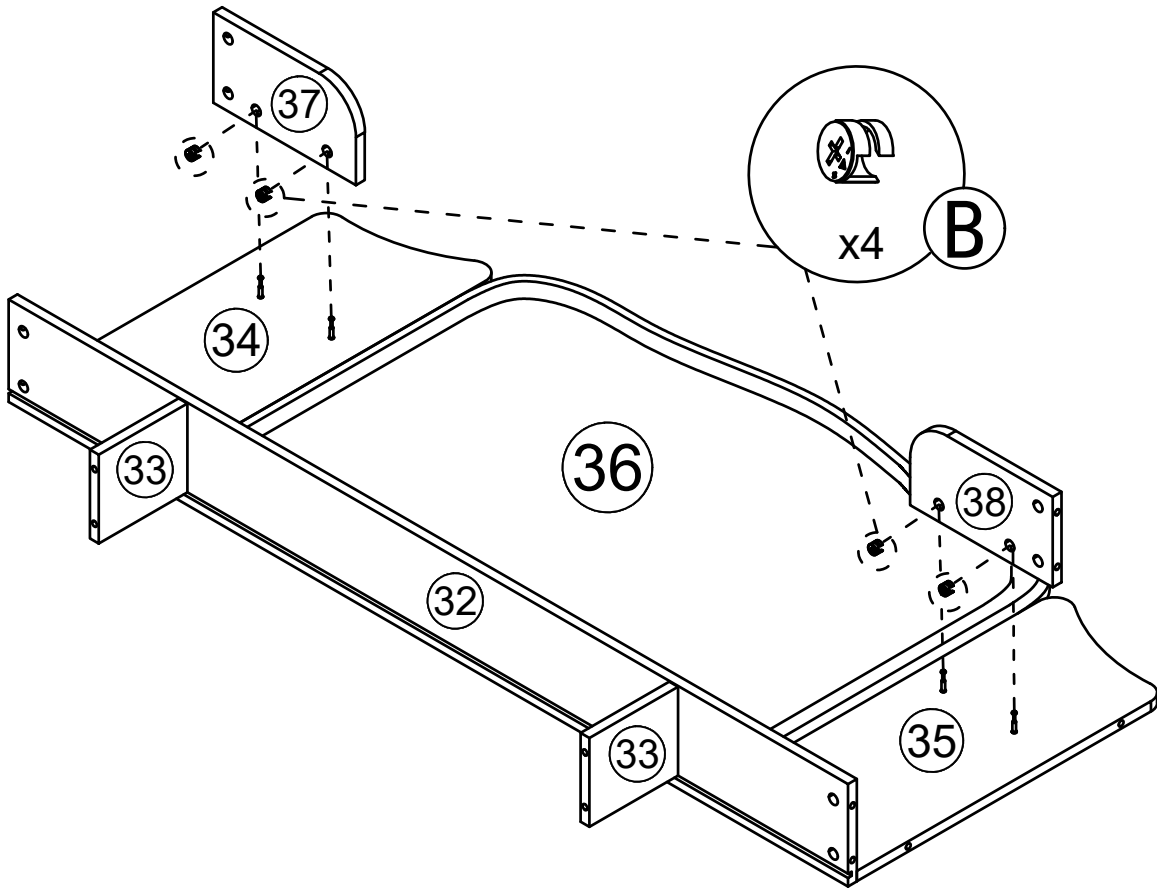


Step 69

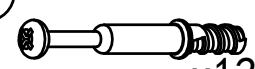


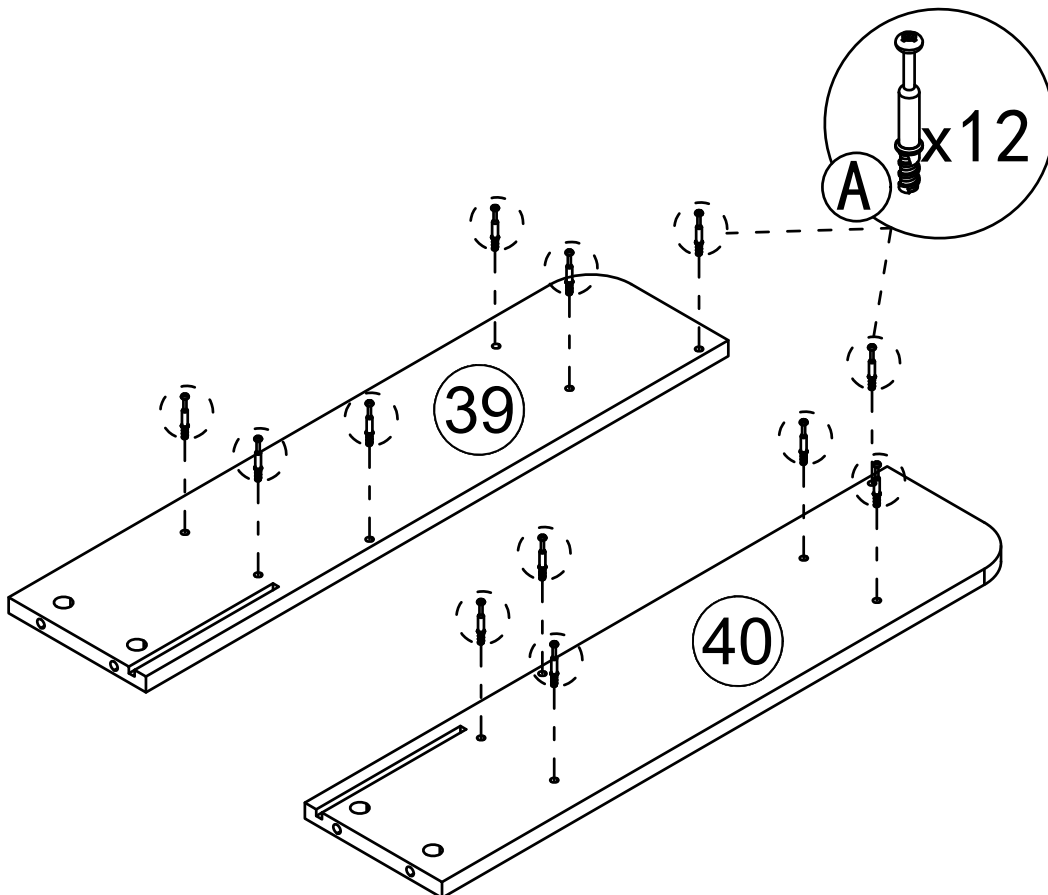
Step 70

B  x4



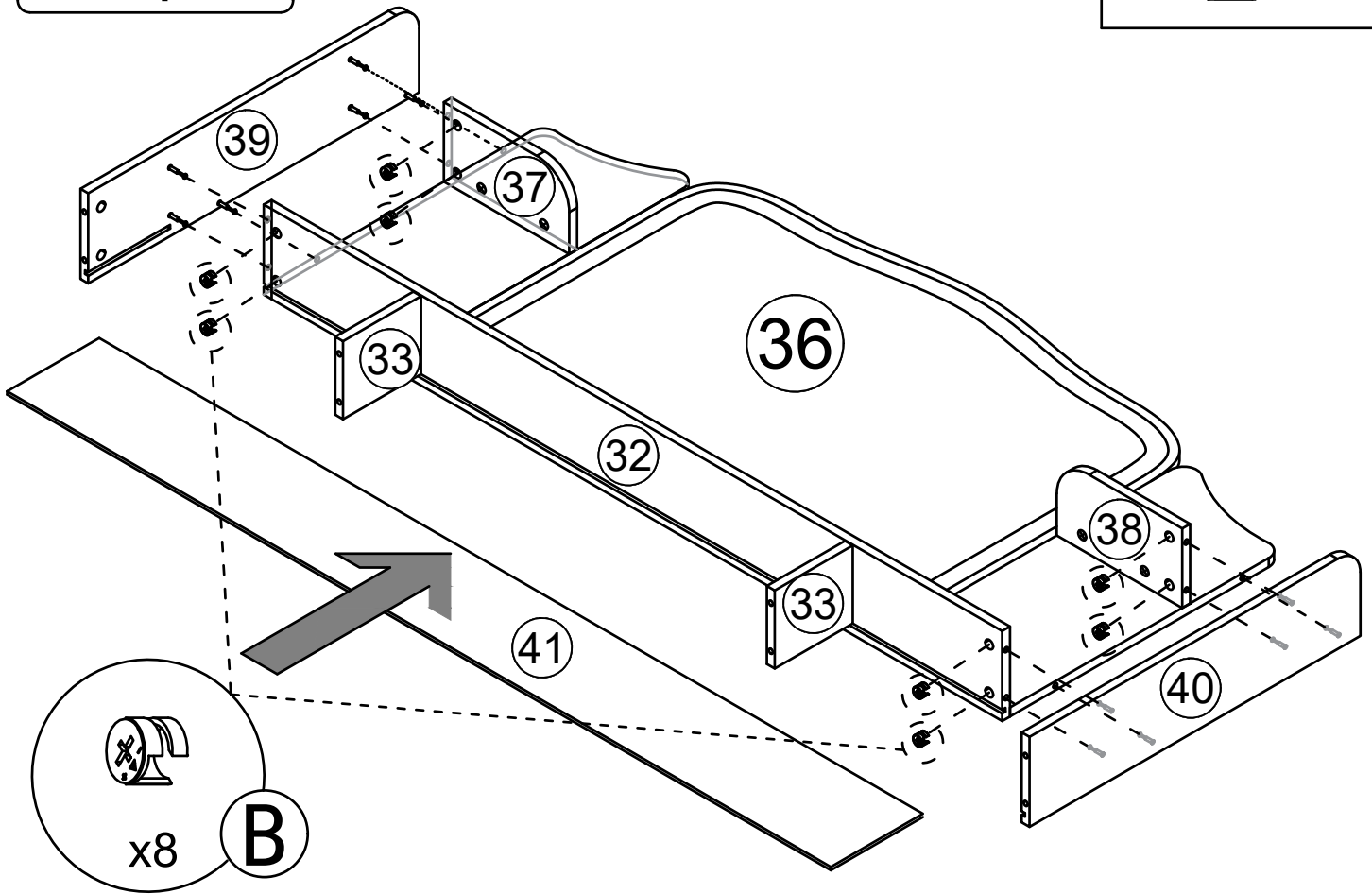
Step 71

A  x12






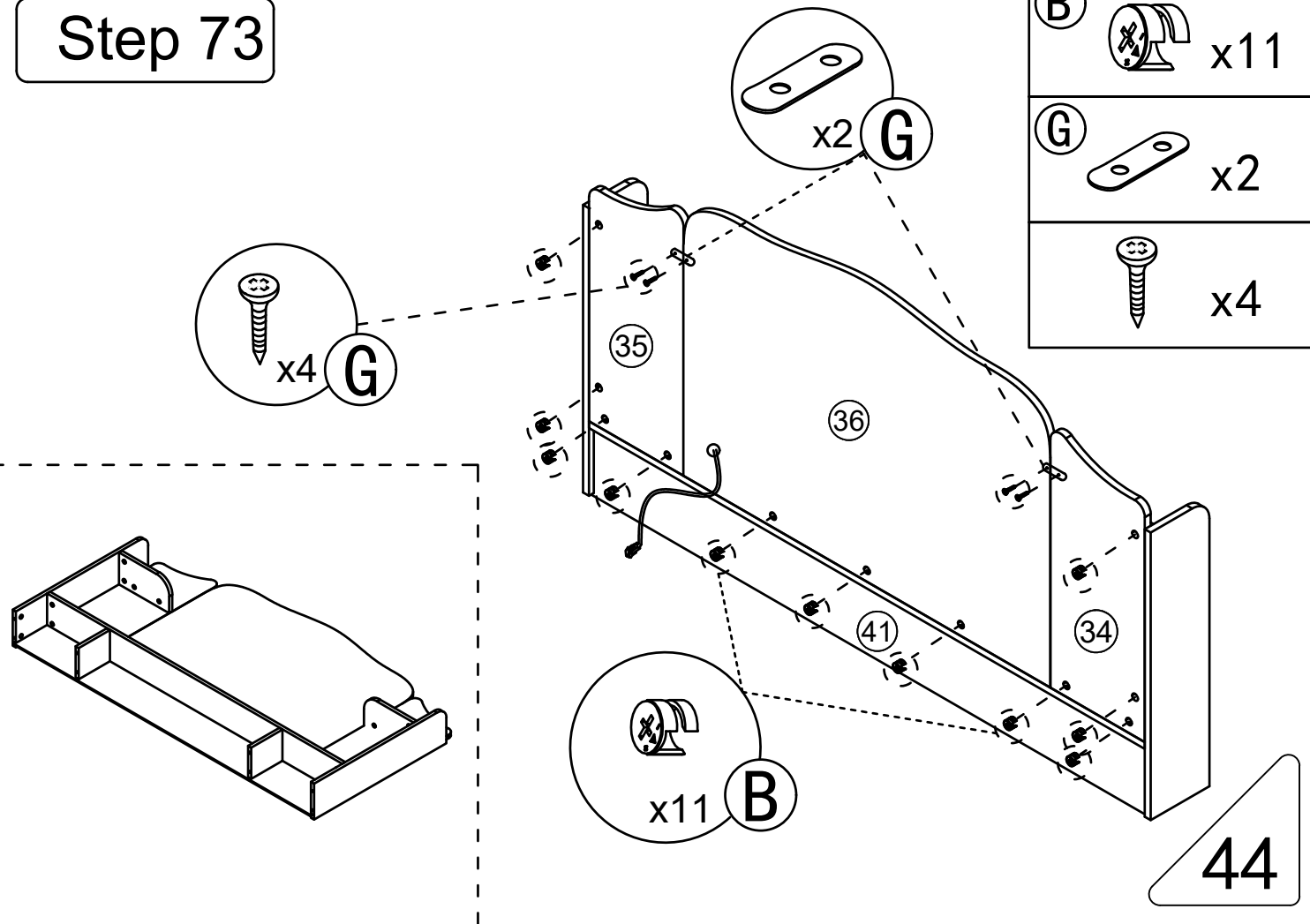
Step 72

B  x8



Step 73

B  x11
G  x2
 x4



Step 74

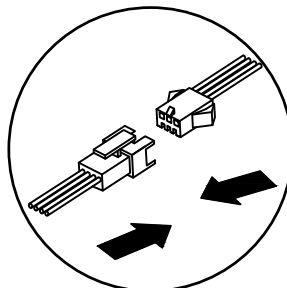
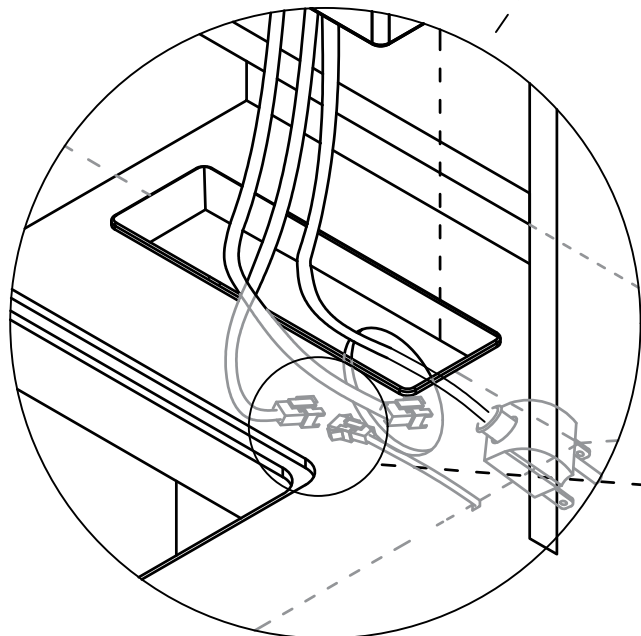
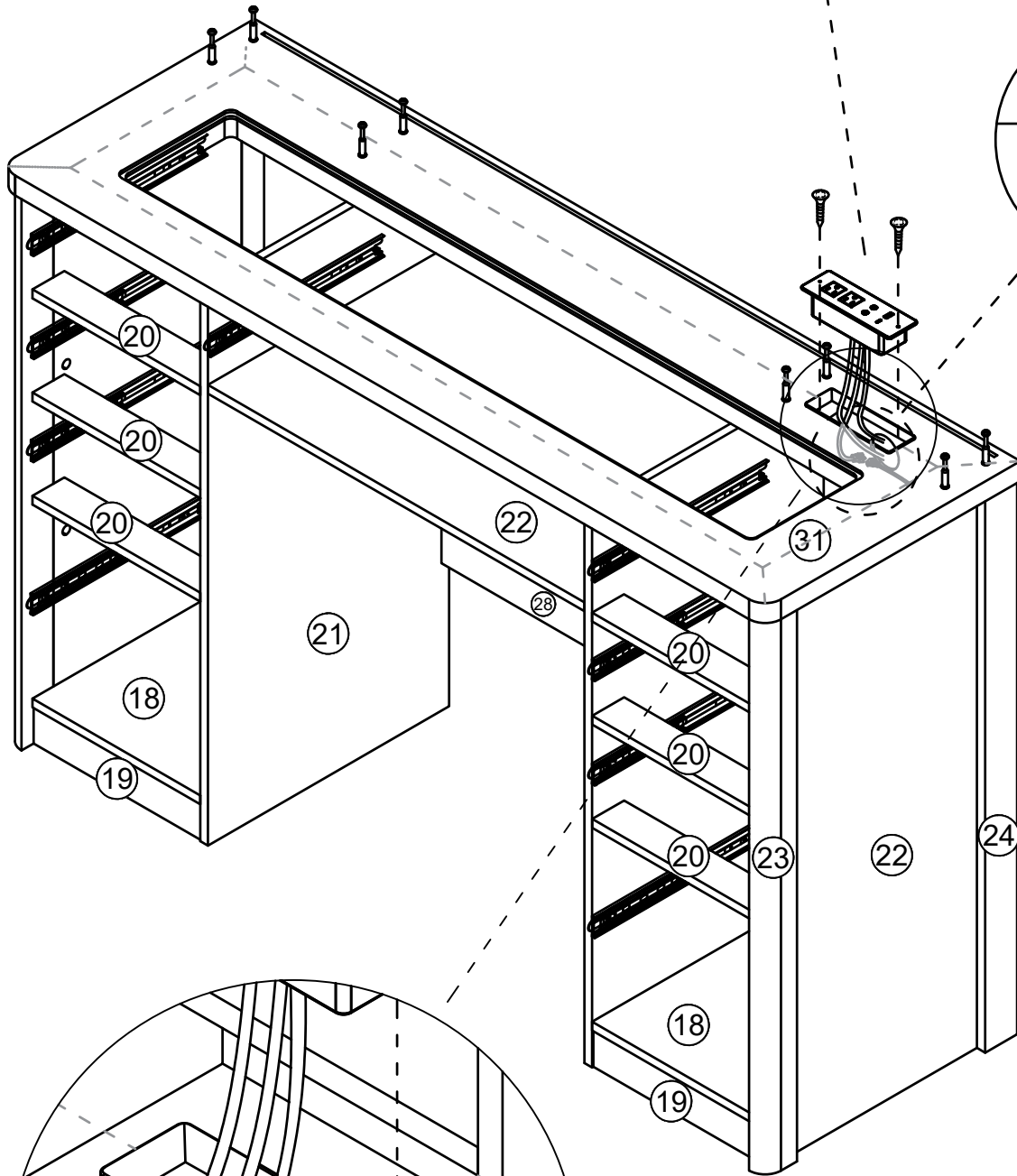
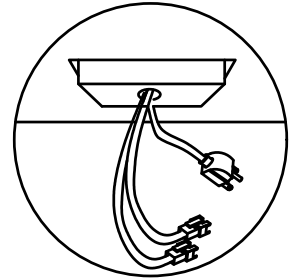
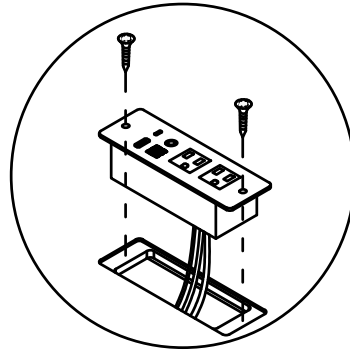
H



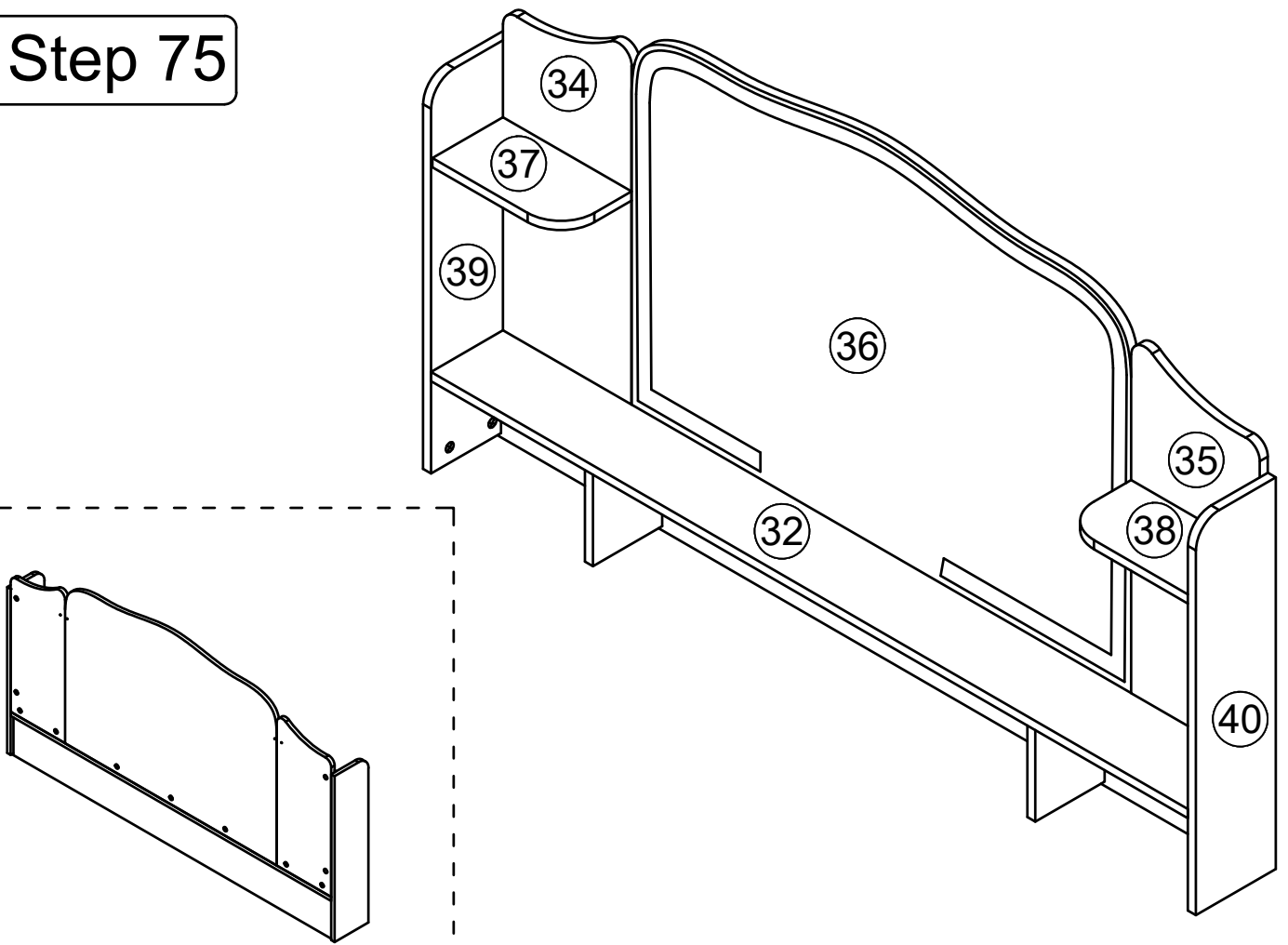
x1



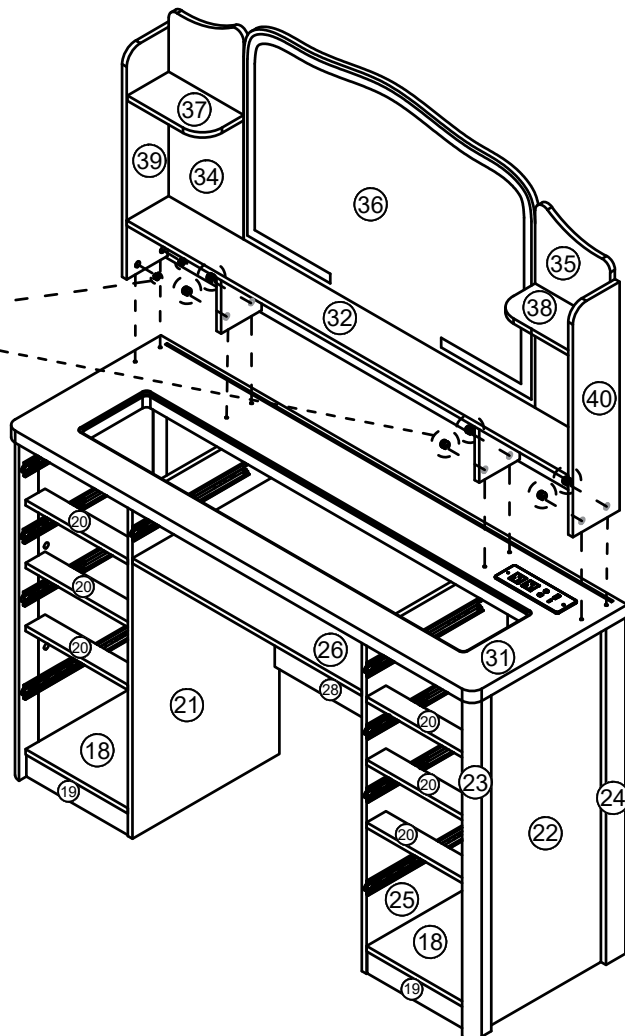
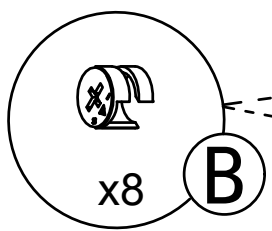
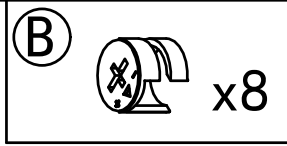
x2



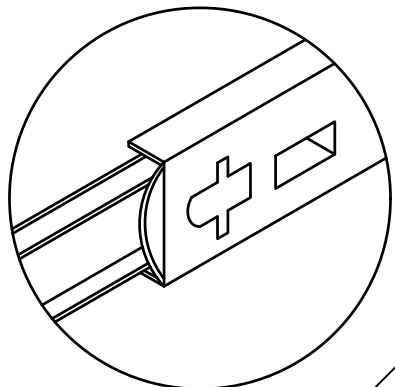
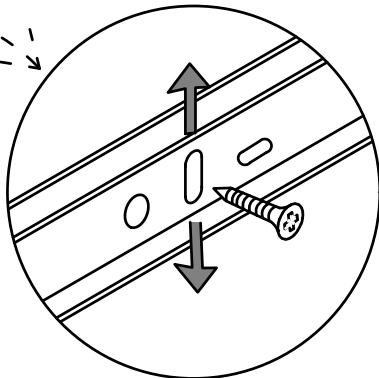
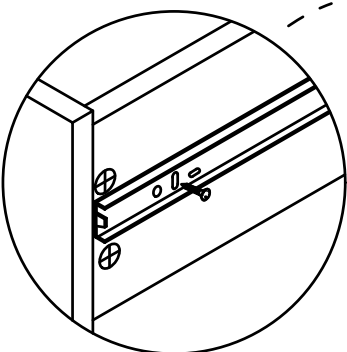
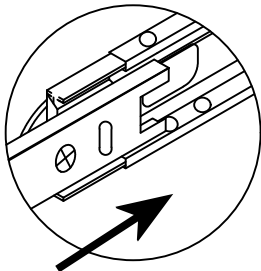
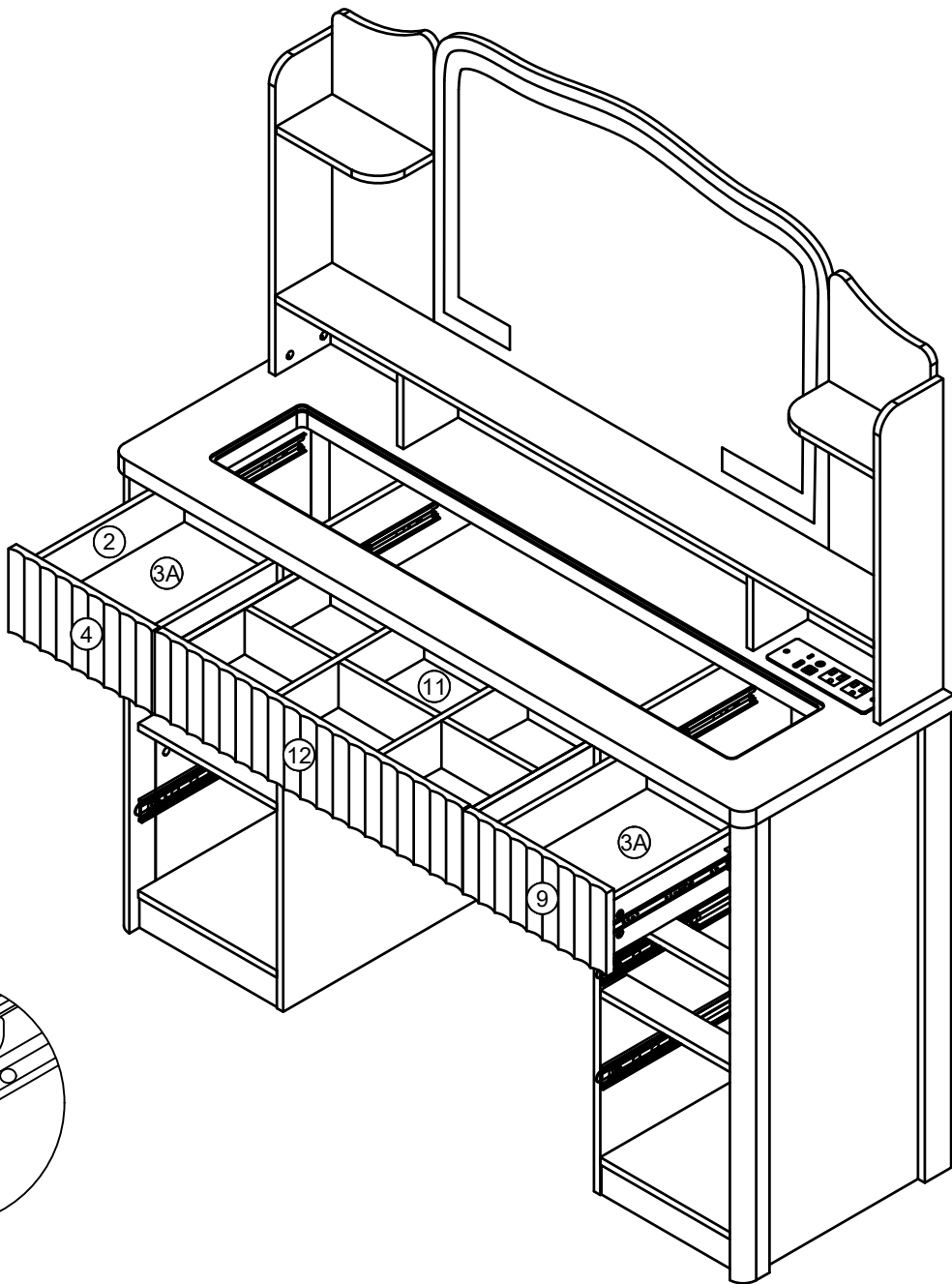
Step 75



Step 76

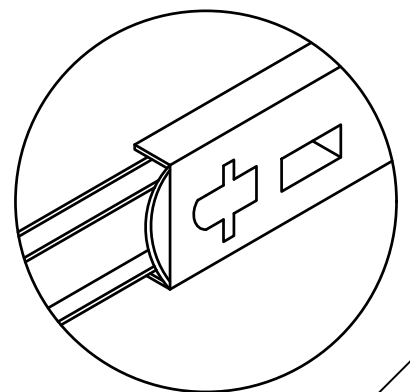
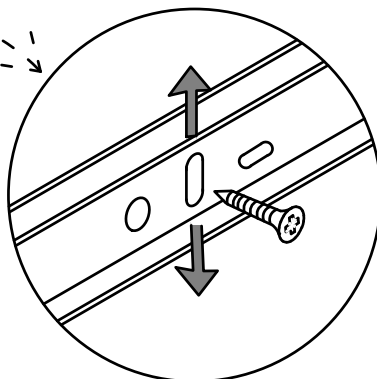
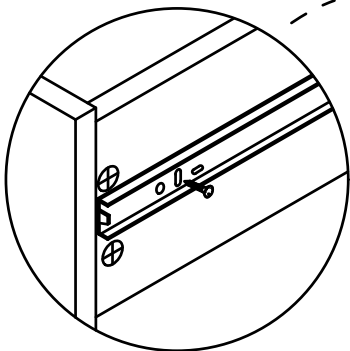
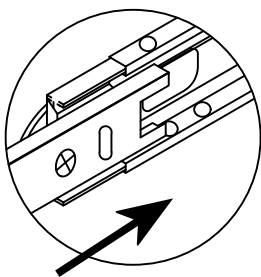
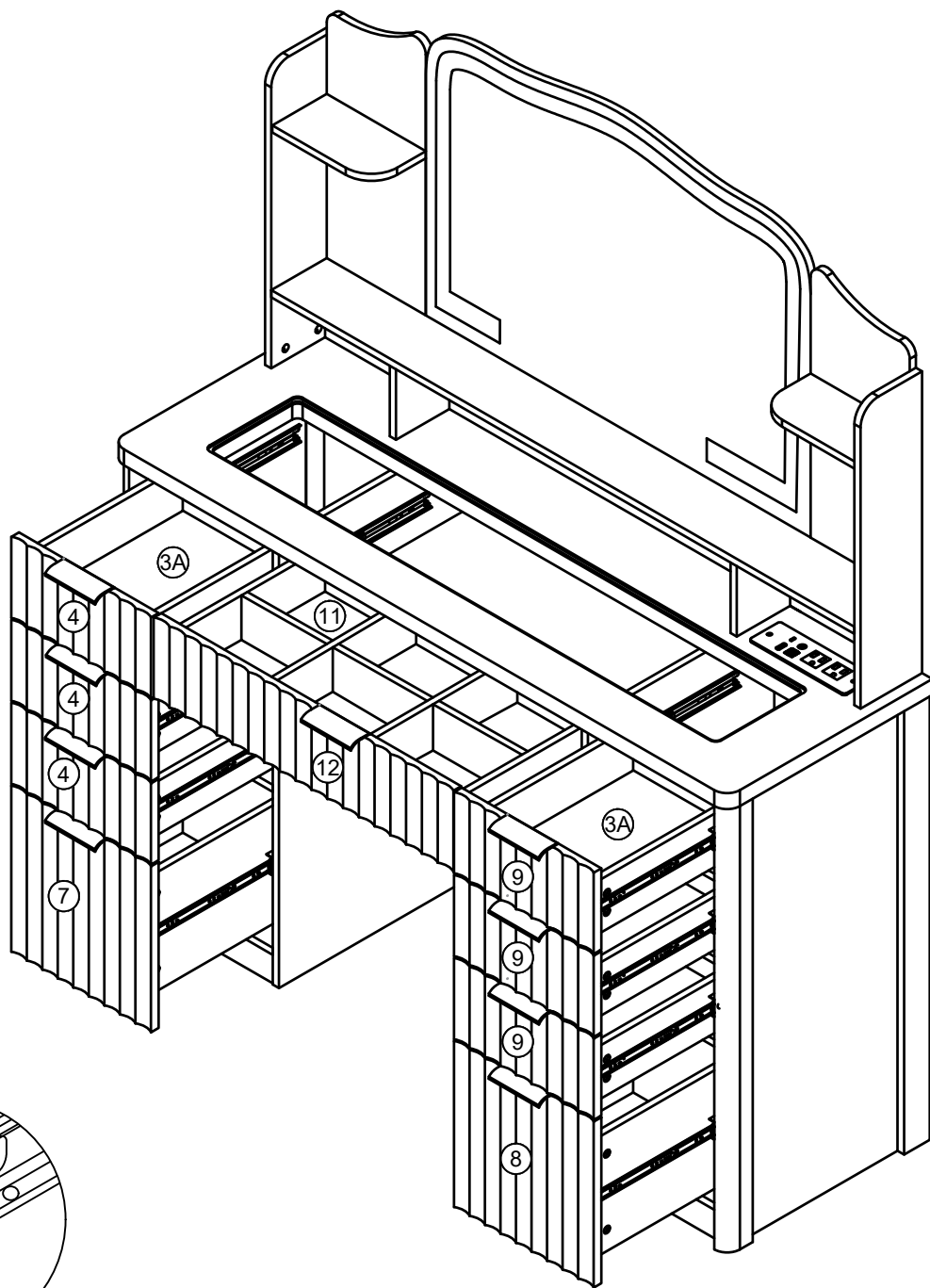


Step 77









If a large gap is found after installing the drawer the slide rail can be moved up and down to adjust the gap

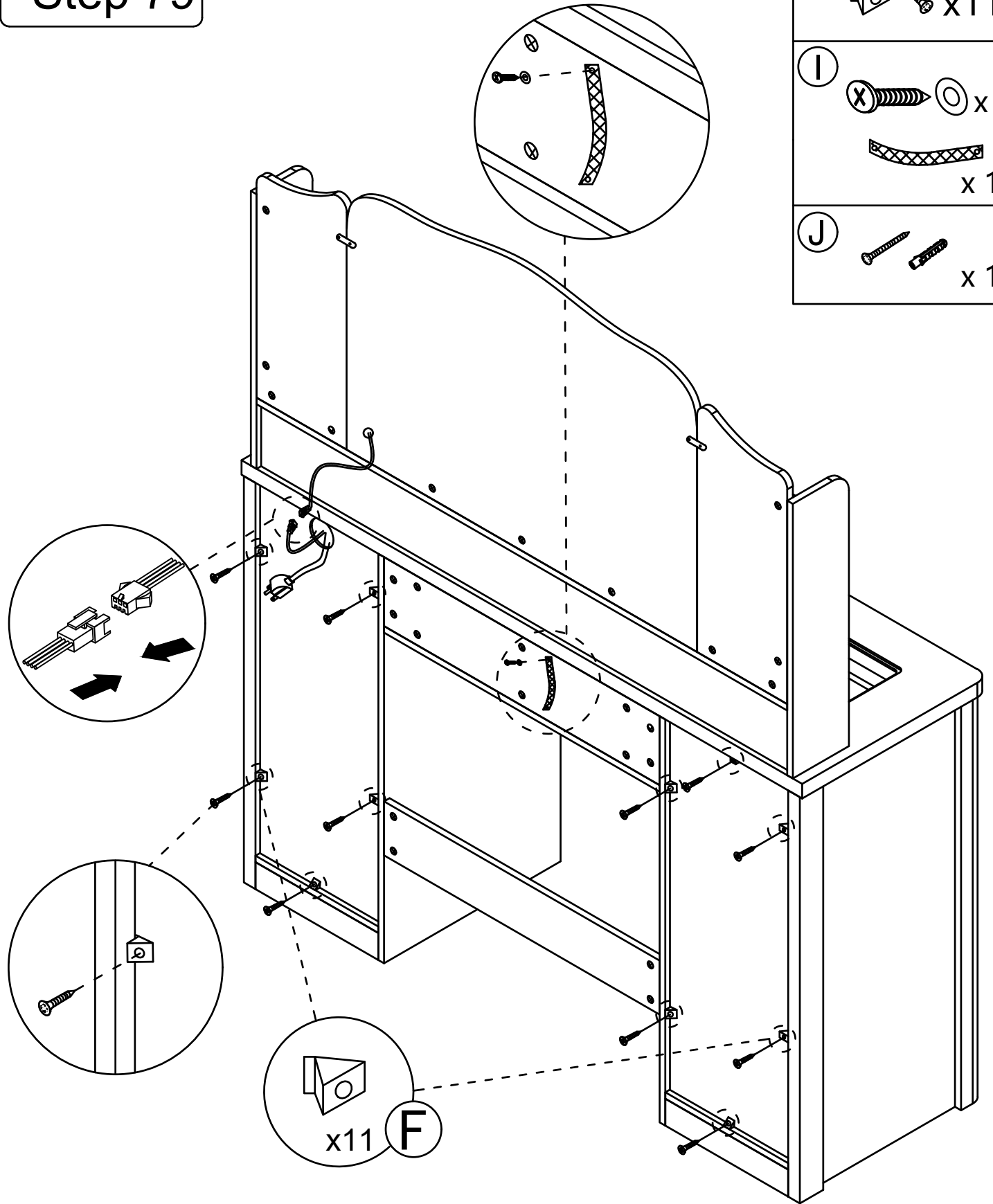
Step 78



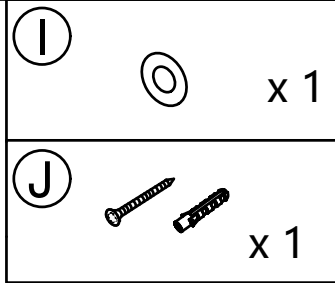
If a large gap is found after installing the drawer the slide rail can be moved up and down to adjust the gap

Step 79

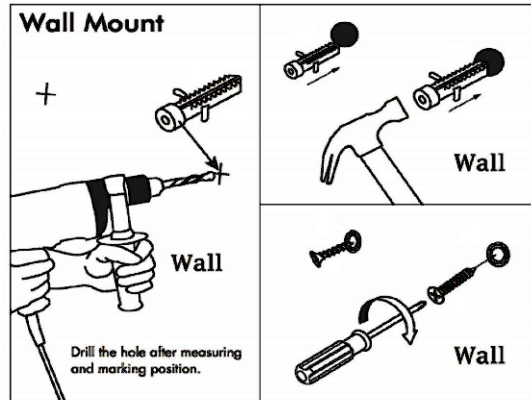
- F**   x11
- I**  x 1
 x 1
- J**   x 1



Step 80



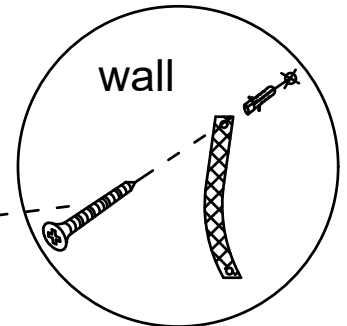
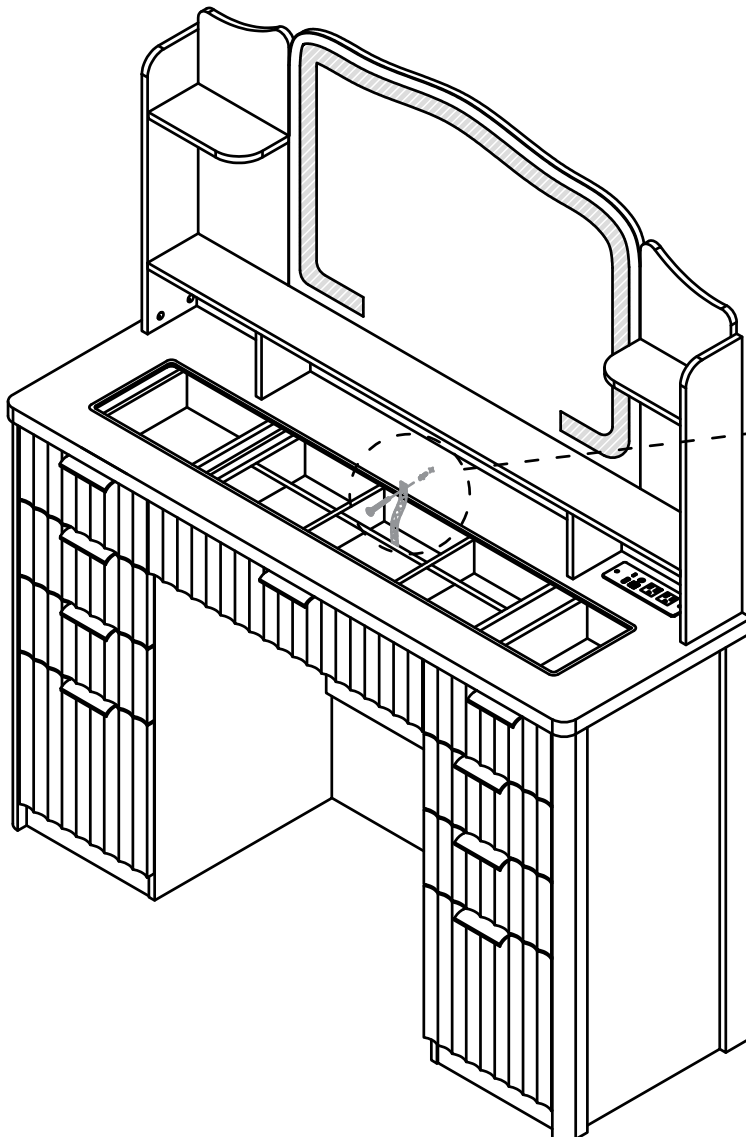
use a ruler to measure the approximate height of the product on the wall, and then mark it with a pencil.



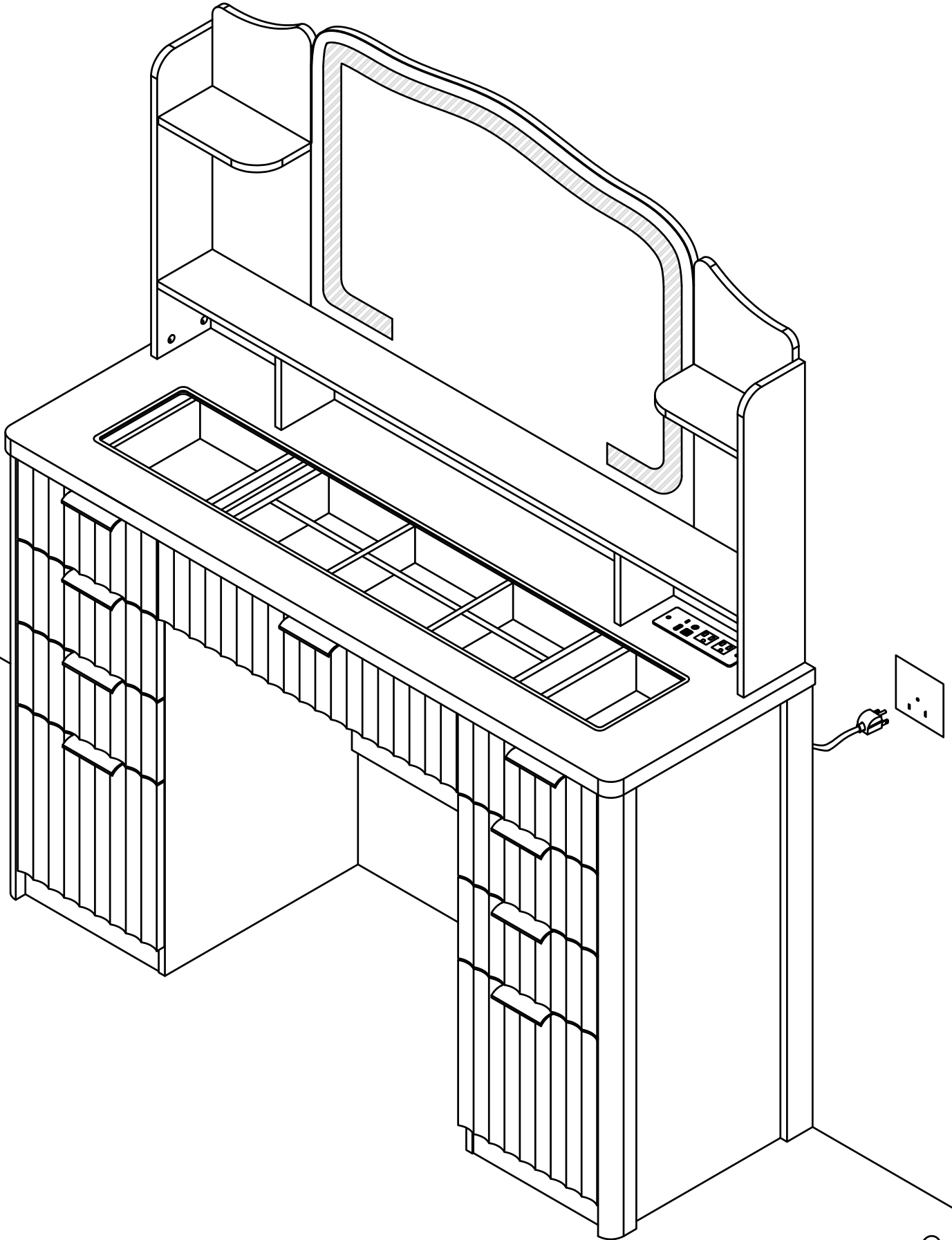
Put the expansion bolt into the hole.

Pass the matching screws through the "anti-rewind" and tighten them to fix them on the wall.

Use a tape drill to make holes in the wall that are suitable for the product screws.



Step 81



User's Guide

Thank you for purchasing this product.

To use this product, please connect it to a power source.

Please use if the product works normally after connecting to power.

Introduction

The box is an intelligent controller.

It has 1 USB output port 1 Type-c port, and 2 socket outlets.

With 2 touch buttons, it can and turn ON/OFF the induction function, turn ON/OFF the light, adjust the light luminance, and change light colors.

The lights can be controlled through both the touch buttons and a dedicated app.



Operation



This touch button is used to turn the light on/off, adjust brightness, and switch the color of the lights.

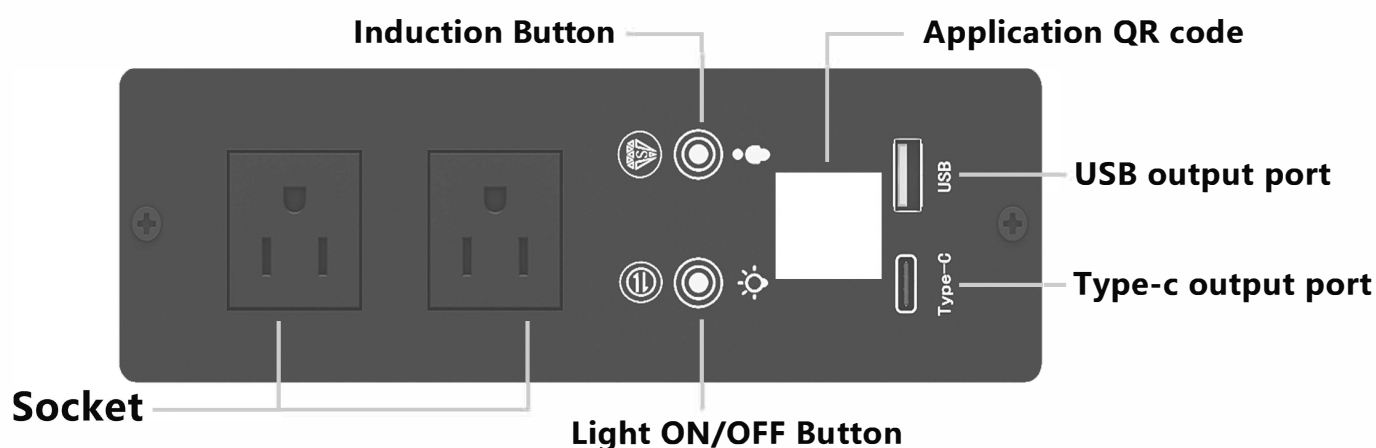
- i. Single Click: Turn the light on/off.
- ii. Quick Double-Click: Switch between 7 static RGB colors.
- iii. Long Press (2+ seconds): Adjust the light luminance.



This touch button is used to switch dynamic phantom colors and turn ON/OFF the induction function.

- i. Single Click: Switch to Phantom Mode, with 5 magical color transformations available.
- ii. Human Body Sensing Control: Long Press (3+ seconds): Turn on The key press indicator light is on.)
Long Press (3+ seconds): Turn off (The key press indicator light is off.)

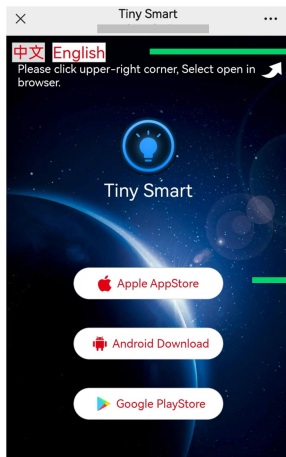
By default, the human body sensing is enabled upon initial power-on, and the indicator light is on.



⚠ ATTENTION PLEASE

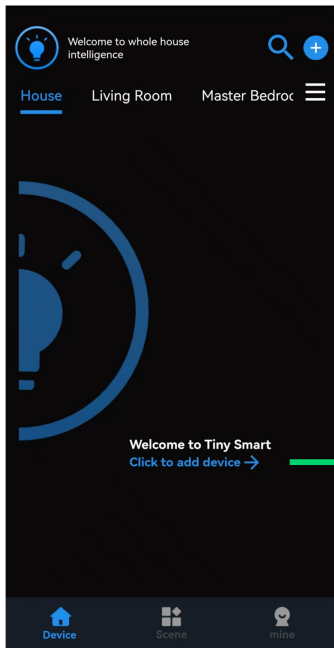
1. If there is no touch response suddenly, Re-plug the power to reset the touch static electricity.
2. If you have any questions when installing, please feel free to contact us. Thank you.

Smart Box Plug Power Off

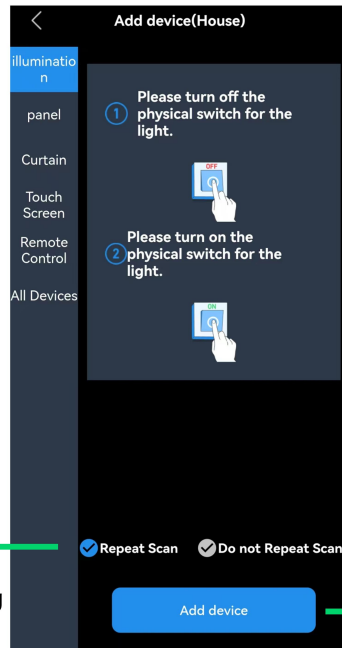


Select English Language

Select the corresponding device to download.
Note: If the download fails, please turn off the "Enhanced Protection" in the Pure Mode settings of the device.



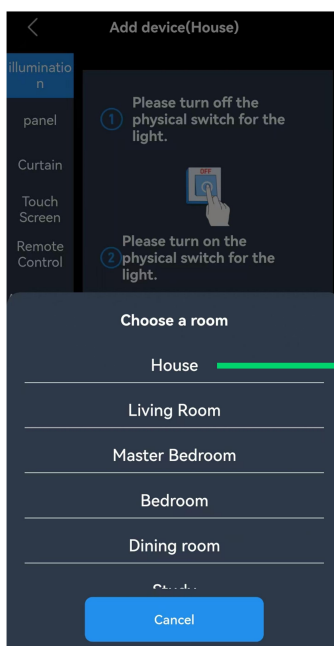
1



2

It turns blue after clicking

3

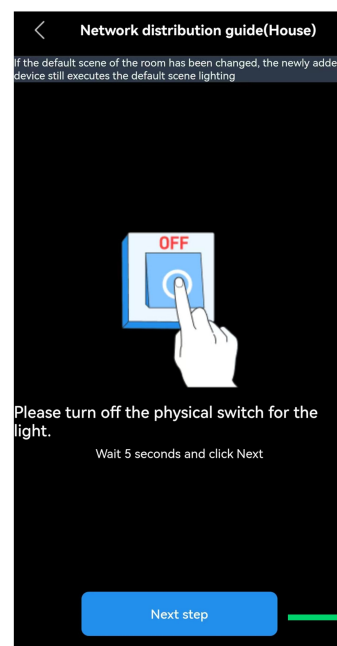


4



5

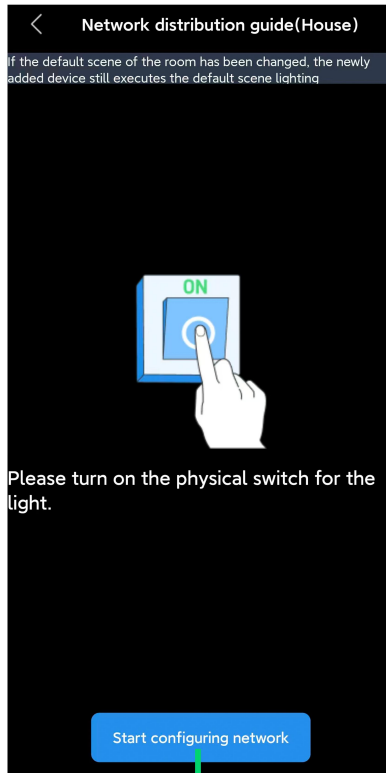
Unplug the smart box



6

7 Plug in the smart box power plug.

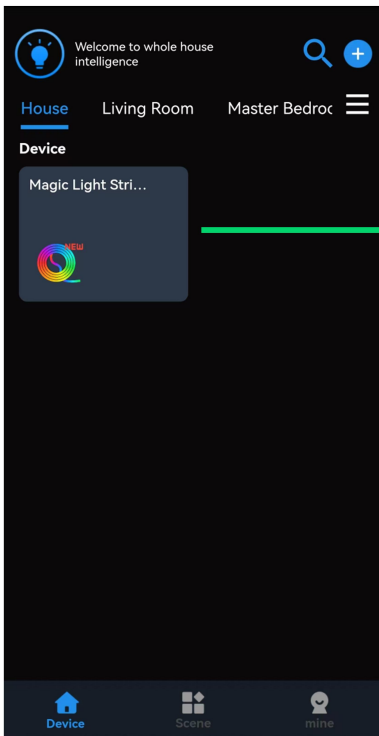
The appearance of this program icon indicates that the matching is complete



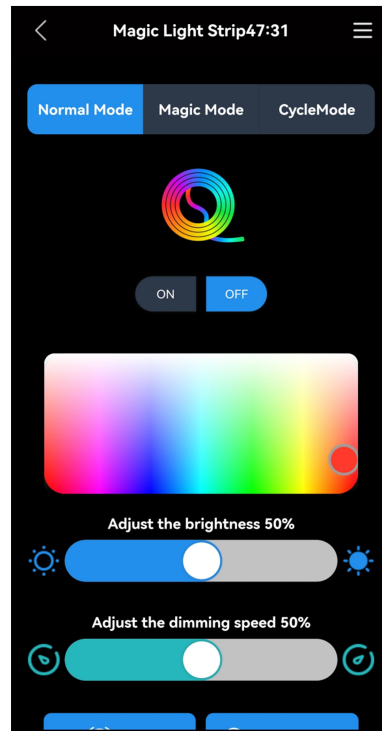
8



9



10



Now you can freely adjust the lighting according to your preferences