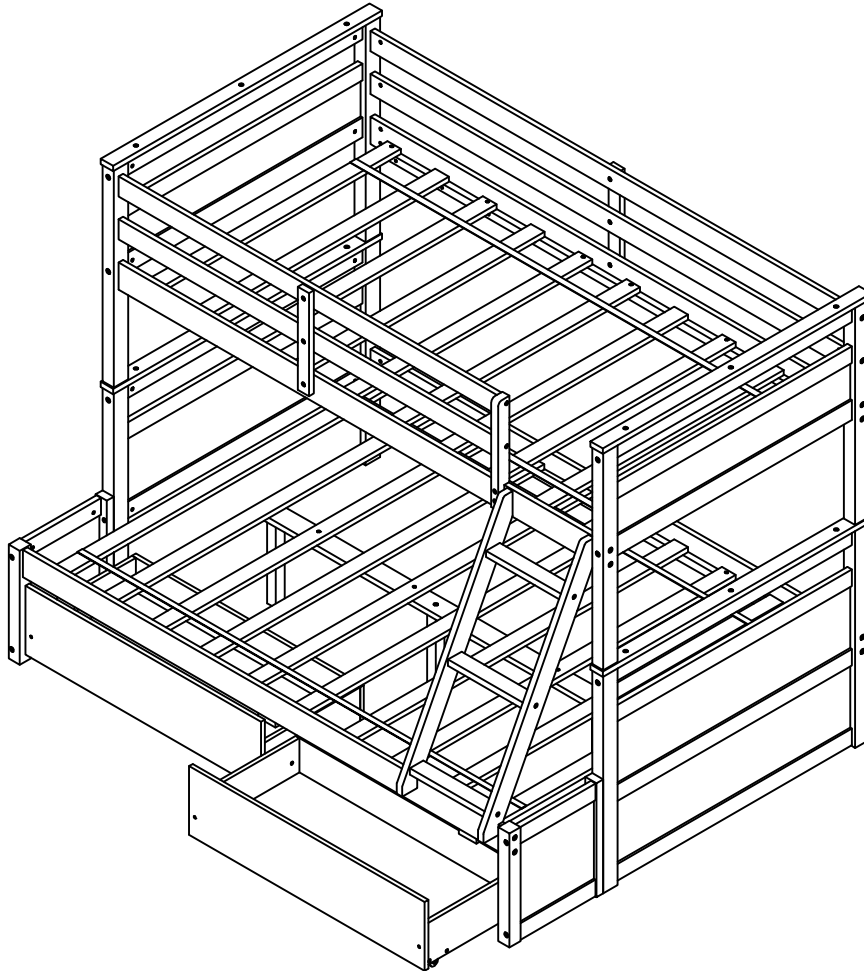


# ASSEMBLY INSTRUCTIONS

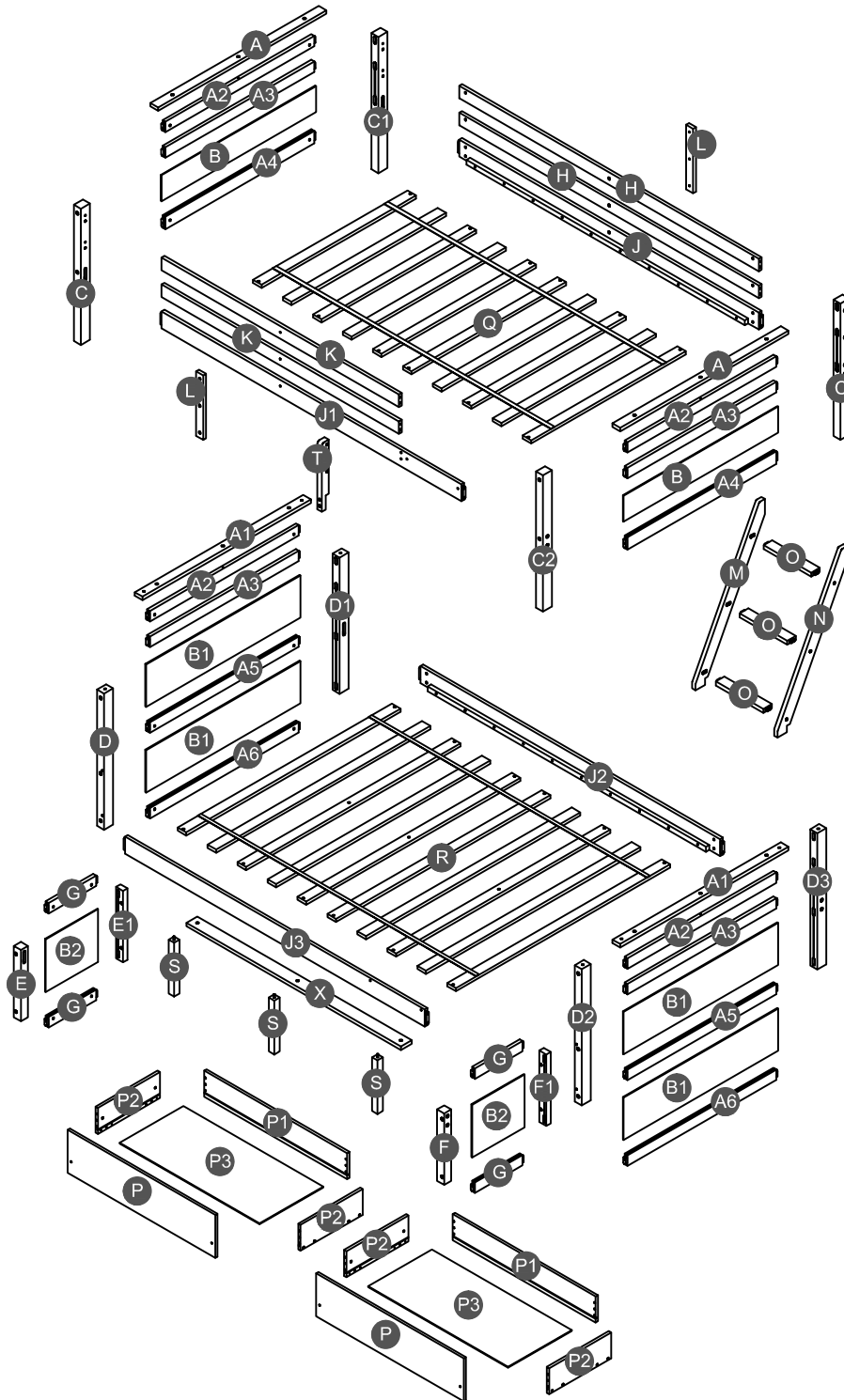
## TWIN FULL SIZE BUNK BED



This set is included 2 boxes if don't receive full 2 boxes please contact our customer service team.

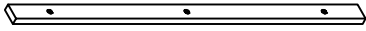

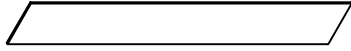
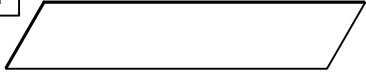

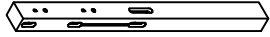
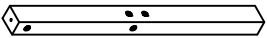
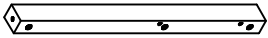

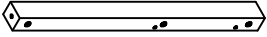

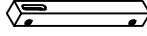
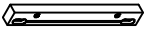
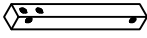

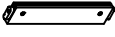
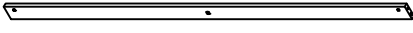


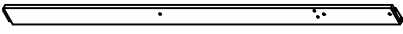
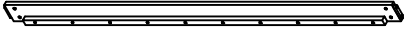
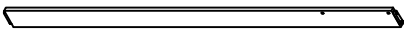
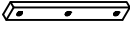
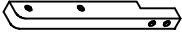
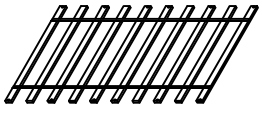
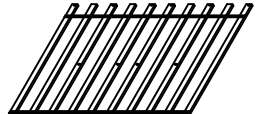

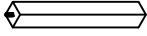

**WF193988/WF193989**

# Detail View



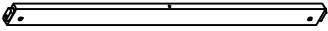
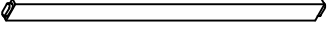



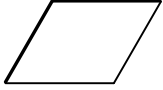
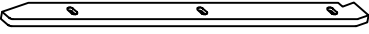
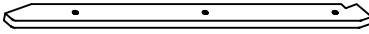
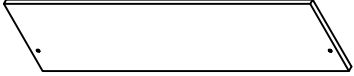
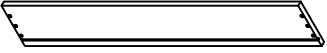
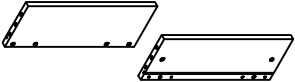

# Part List

## Hardware List WF193988

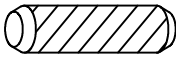
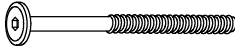
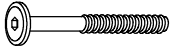





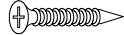
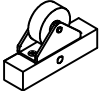
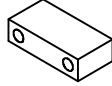
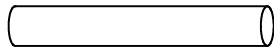
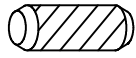
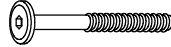


<b>A</b>  Cap for upper HB&FB-2pcs	<b>A1</b>  Cap for lower HB&FB-2pcs	<b>B</b>  Upper side panel - 2pcs
<b>B1</b>  Lower side panel - 4pcs	<b>C</b>  Upper leg HB&FB -2pcs	<b>C1</b>  Upper leg HB (Back) - 1pc
<b>C2</b>  Upper leg FB (Front) - 1pc	<b>D</b>  Lower leg HB (Front)-1pc	<b>D1</b>  Lower leg HB (Back)-1pc
<b>D2</b>  Lower leg FB (Front)-1pc	<b>D3</b>  Lower leg FB (Back)-1pc	<b>E</b>  Lower leg HB (Left)-1pc
<b>E1</b>  Mid leg HB (Left)-1pc	<b>F</b>  Lower leg FB (Right)-1pc	<b>F1</b>  Mid leg FB (Right)-1pc
<b>G</b>  Horizontal bar - 4pcs	<b>H</b>  Long guard rail-2pcs	<b>K</b>  Short guard rail-2pcs
<b>J</b>  Side rail upper (Back) -1pc	<b>J1</b>  Side rail upper (Front) -1pc	<b>J2</b>  Side rail Lower (Back) -1pc
<b>J3</b>  Side rail Lower (Front) -1pc	<b>L</b>  Vertical guard rail - 2pcs	<b>T</b>  Support guard rail - 1pc
<b>Q</b>  Upper slat - 1set(10pc)	<b>R</b>  Lower slat - 1set (10pc)	<b>O</b>  Step ladder - 3pcs
<b>S</b>  Center leg - 3pcs	<b>X</b>  Center support -1pc	

# Part List

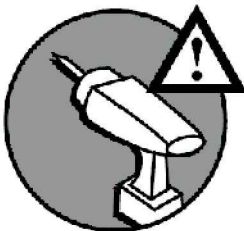
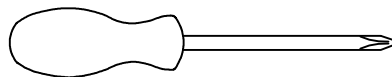
WF193989

<p><b>A2</b></p>  <p>Horizontal bar(HB/FB)-4pcs</p>	<p><b>A3</b></p>  <p>Horizontal bar(HB/FB)-4pcs</p>	<p><b>A4</b></p>  <p>Horizontal bar(HB/FB)-2pcs</p>
<p><b>A5</b></p>  <p>Horizontal bar(HB/FB)-2pcs</p>	<p><b>A6</b></p>  <p>Horizontal bar(HB/FB)-2pcs</p>	<p><b>B2</b></p>  <p>Side panel - 2pcs</p>
<p><b>M</b></p>  <p>Ladder (Left) - 1pc</p>	<p><b>N</b></p>  <p>Ladder (Right) - 1pc</p>	<p><b>P</b></p>  <p>Drawer front - 2pcs</p>
<p><b>P1</b></p>  <p>Drawer back - 2pcs</p>	<p><b>P2</b></p>  <p>Drawer (Left / Right)- 4pcs</p>	<p><b>P3</b></p>  <p>Drawer bottom - 2pcs</p>

# Hardware List

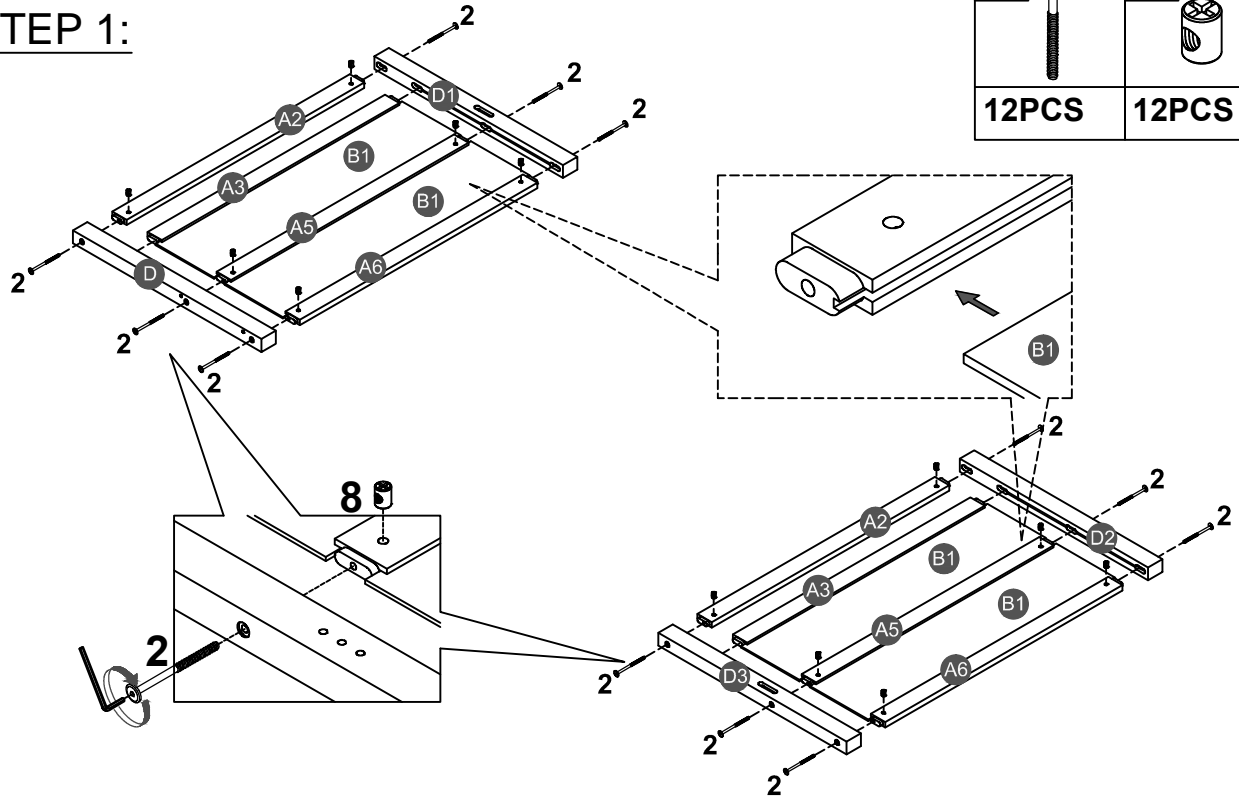
<b>1</b>  Ø10*40mm Wood dowel (8pcs)	<b>2</b>  (Ø15)1/4"*100mm Hex-Head bolts (42pcs)	<b>3</b>  (Ø15)1/4"*80mm Hex-Head bolts (6pcs)
<b>4</b>  (Ø12)1/4"*40mm Hex-Head bolts (8pcs)	<b>5</b>  (Ø12)1/4"*30mm Hex-Head bolts (6pcs)	<b>6</b>  (1/4")4.5*58mm Allen key (1pc)
<b>7</b>  (Ø12)1/4"*40mm Hex-Head bolts (12pcs)	<b>8</b>  1/4"*15 (9.5mm) Horizontal-Hole bolts(66pcs)	<b>9</b>  Ø4*30mm Wood screws (50pcs)
<b>10</b>  100*54*20 mm Wheels (8pcs)	<b>11</b>  70*35*19 mm Wood support drawer (3pcs)	<b>12</b>  Ø9*90mm Metal connector (4pcs)
<b>13</b>  Ø10*20mm Wood dowel (8pcs)	<b>14</b>  (Ø12)1/4"*60mm Hex-Head bolts (18pcs)	<b>15</b>  (Ø12)1/4"*35mm Hex-Head bolts (2pcs)
<b>16</b>  Ø8*30mm Wood dowel (16pcs)		

## ASSEMBLY TOOLS REQUIRED ( NOT INCLUDED )

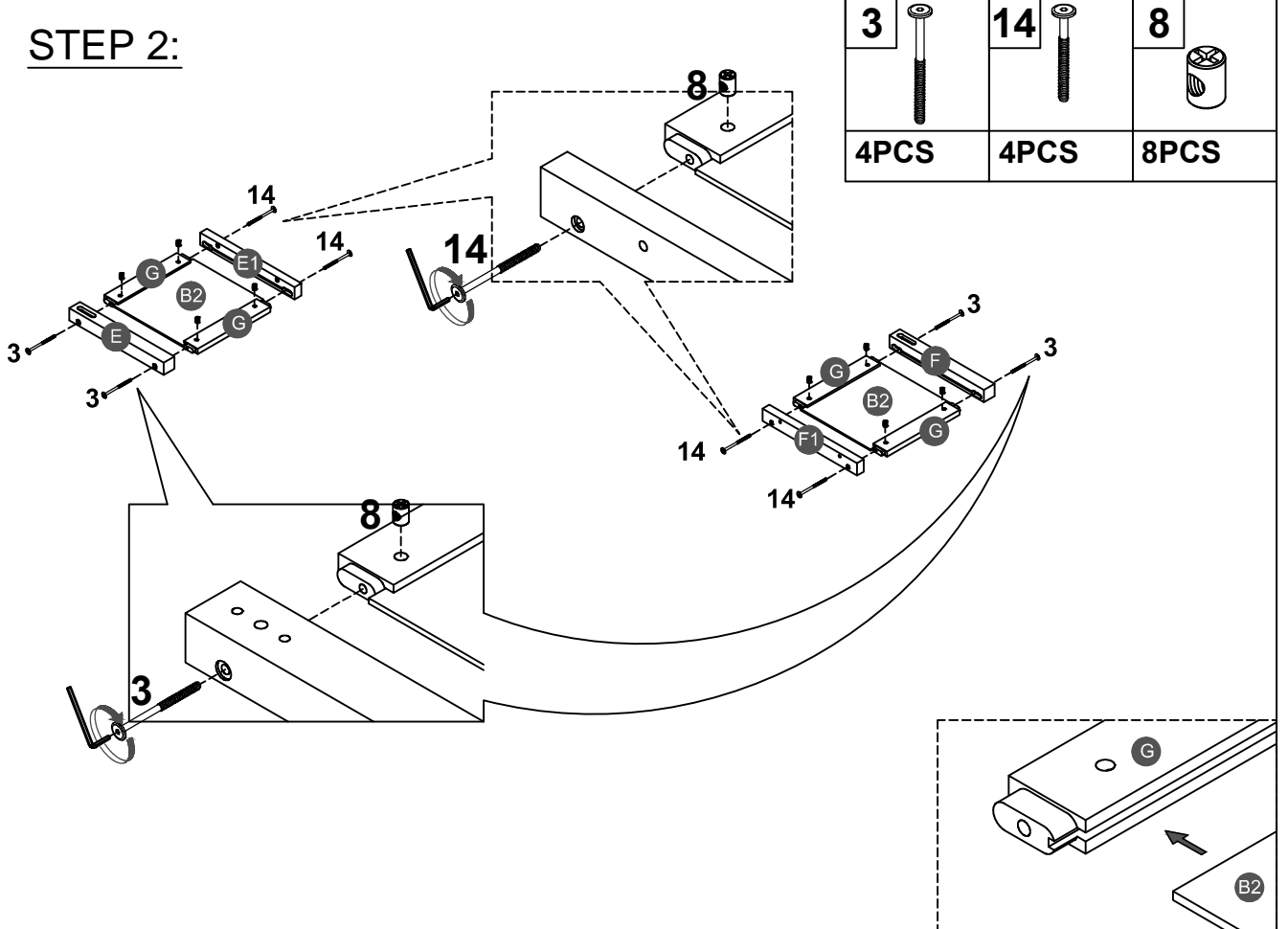


PLEASE BE CAREFUL DO NOT DAMAGE THE HOLE POSITION WHEN YOU USE POWER TOOLS !



**STEP 1:**

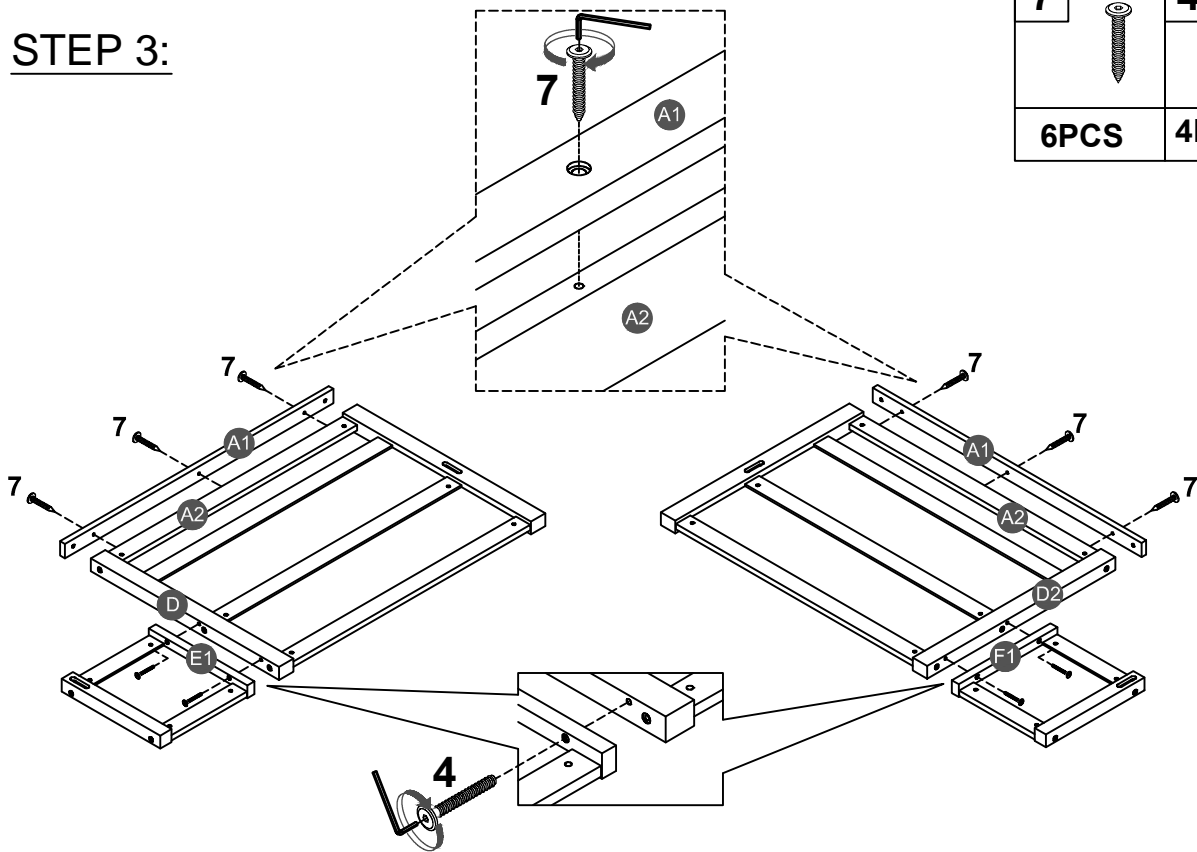


**STEP 2:**


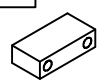


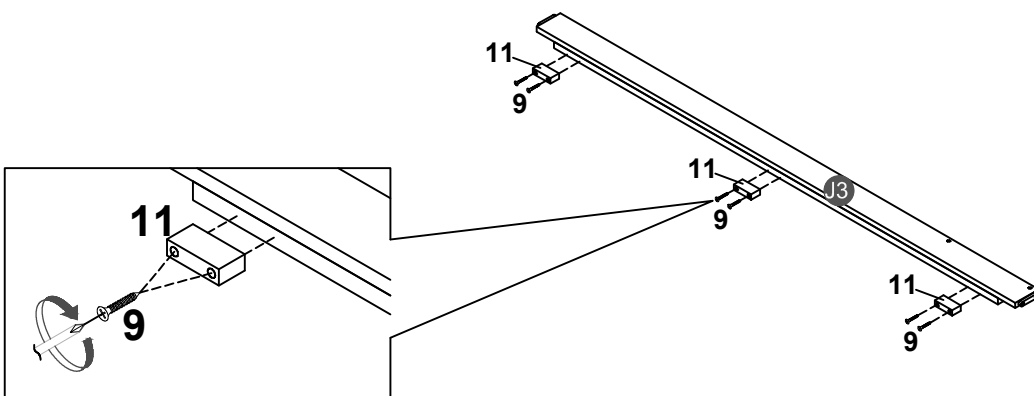
**STEP 3:**

<b>7</b>		<b>4</b>	
<b>6PCS</b>		<b>4PCS</b>	





**STEP 4:**

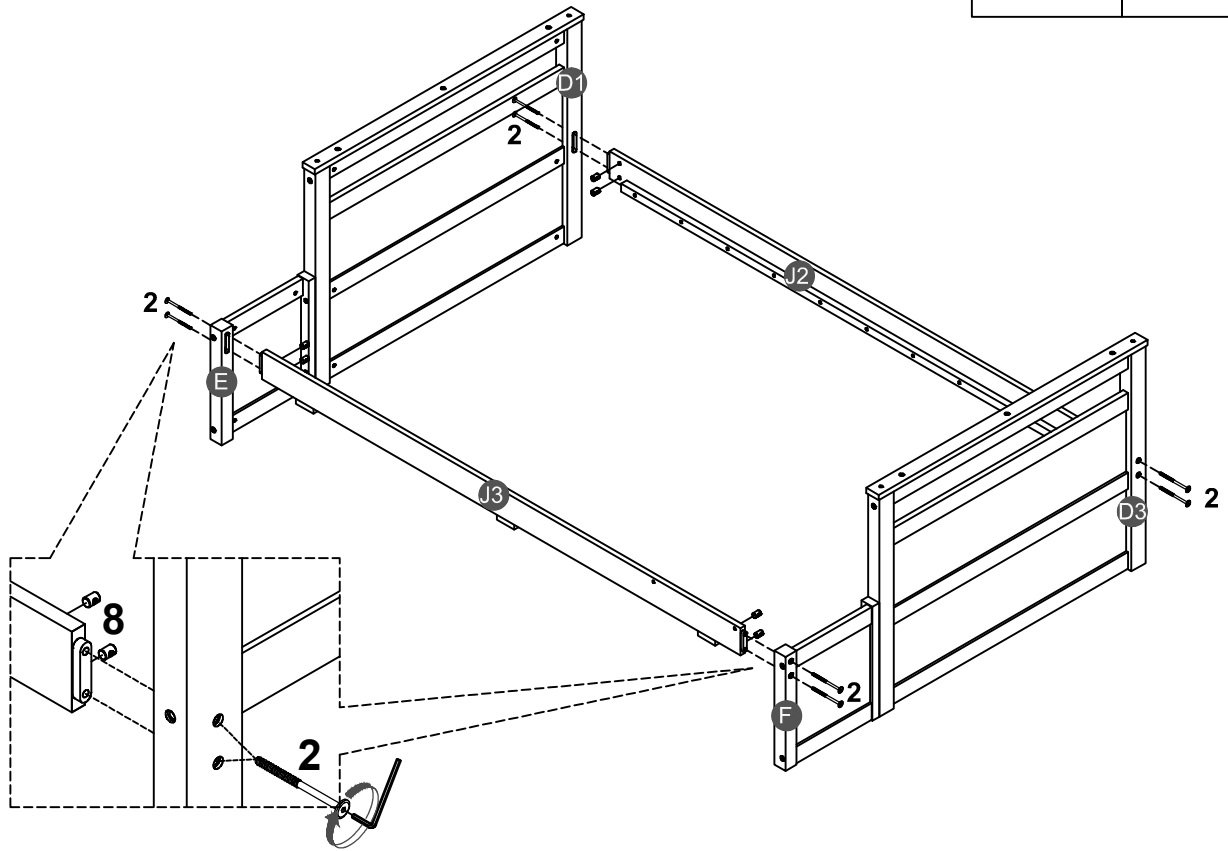
<b>9</b>		<b>11</b>	
<b>6PCS</b>		<b>3PCS</b>	





Wood support drawer (11) with side rail front (J3) by using screw (9).

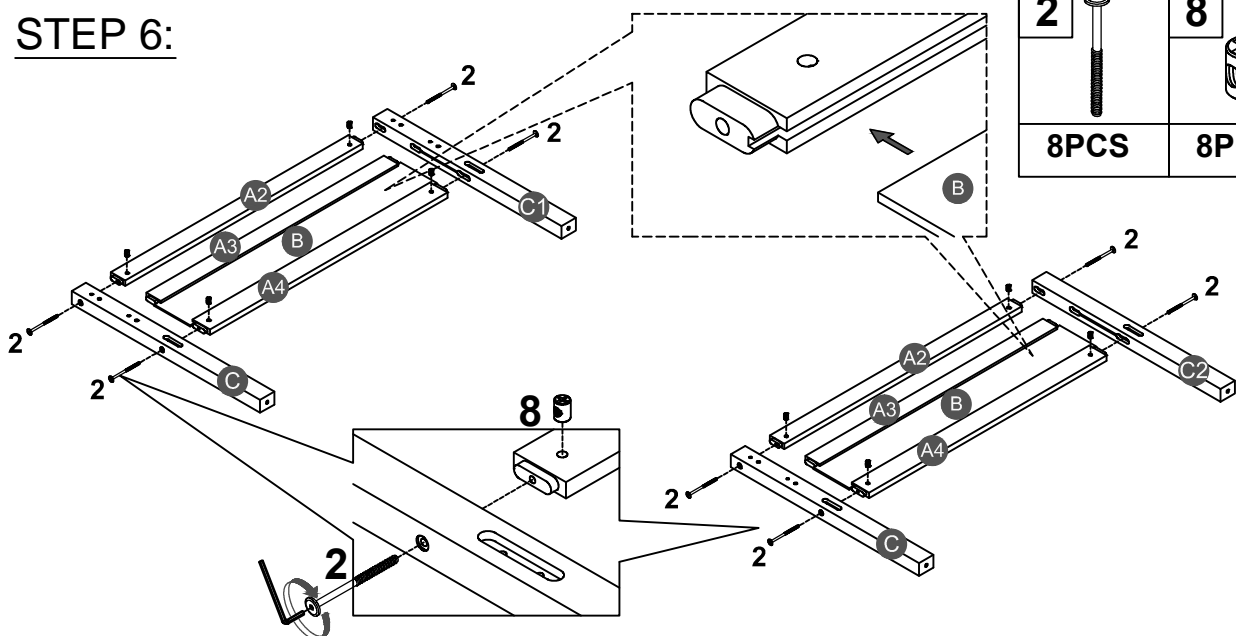
# STEP 5:

2		8	
8PCS		8PCS	



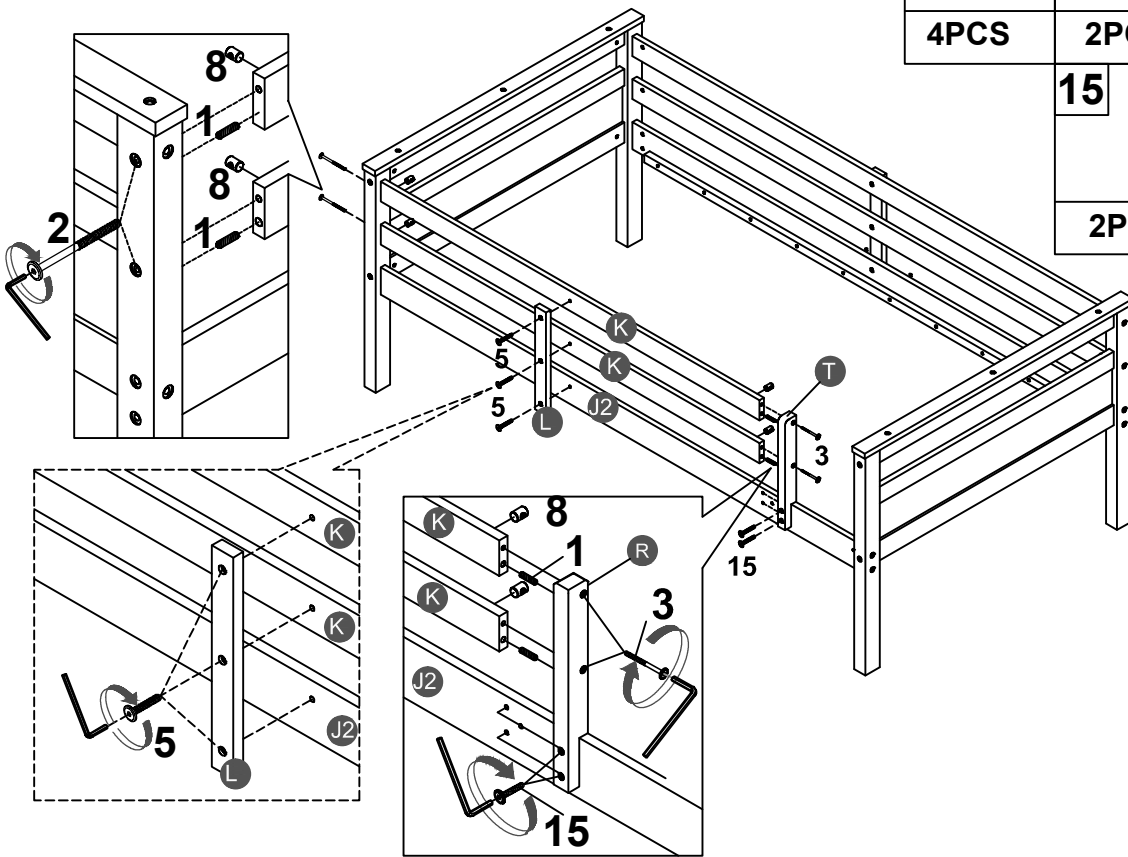
# STEP 6:

2		8	
8PCS		8PCS	



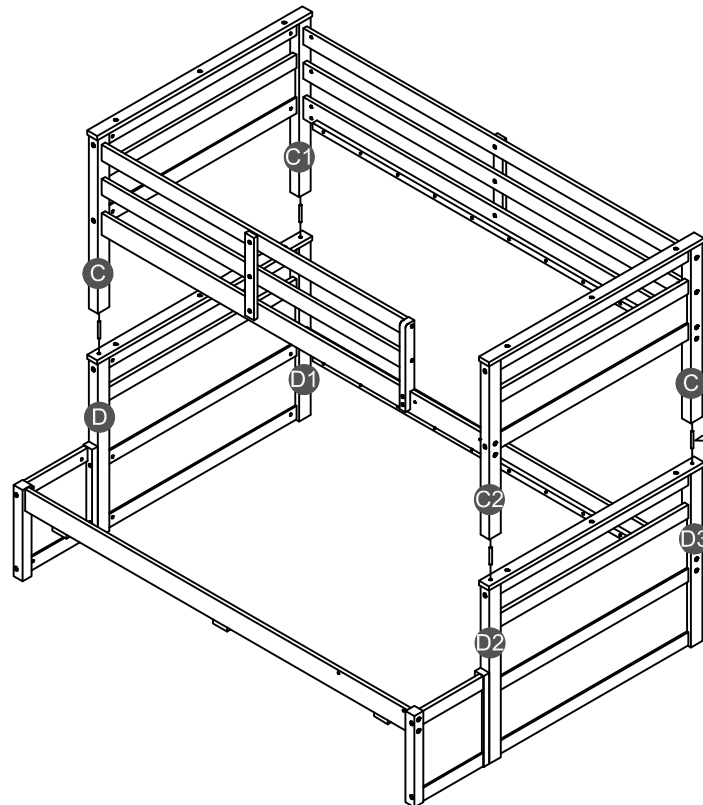


**STEP 9:**

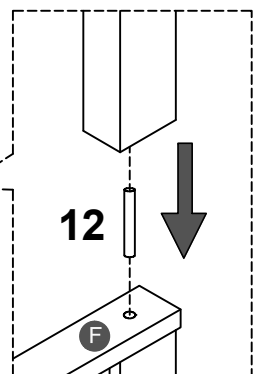


<b>1</b> 	<b>2</b> 	<b>3</b> 
<b>4PCS</b>	<b>2PCS</b>	<b>2PCS</b>
<b>15</b> 	<b>5</b> 	
<b>2PCS</b>	<b>3PCS</b>	
	<b>8</b> 	
	<b>4PCS</b>	

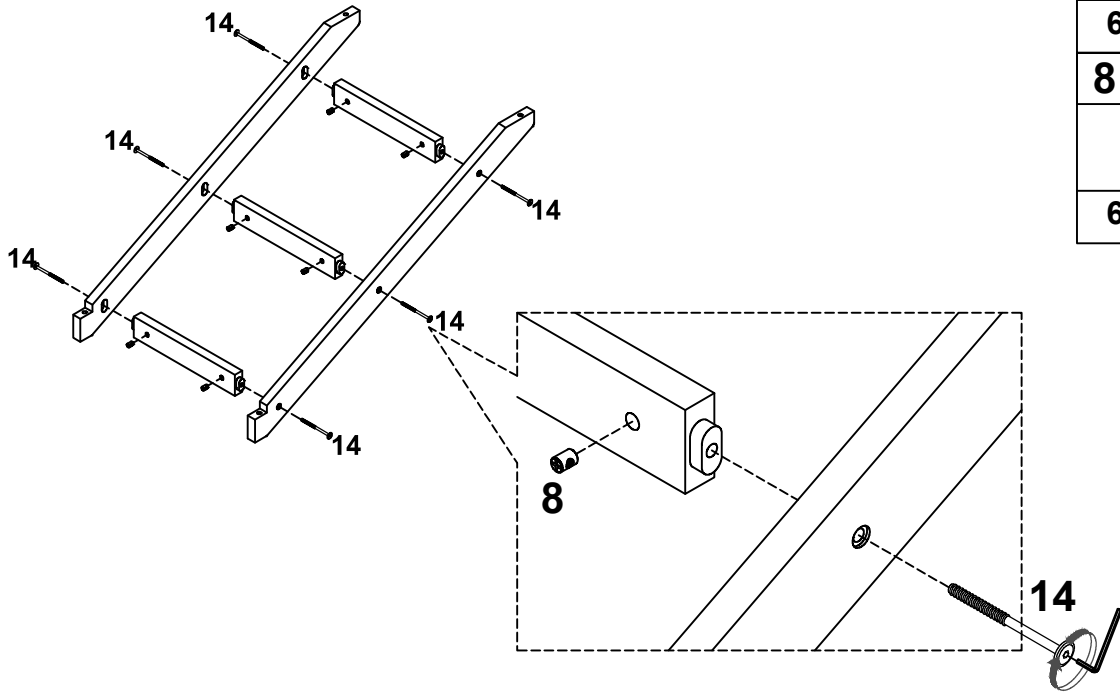
**STEP 10:**





<b>12</b> 
<b>4PCS</b>

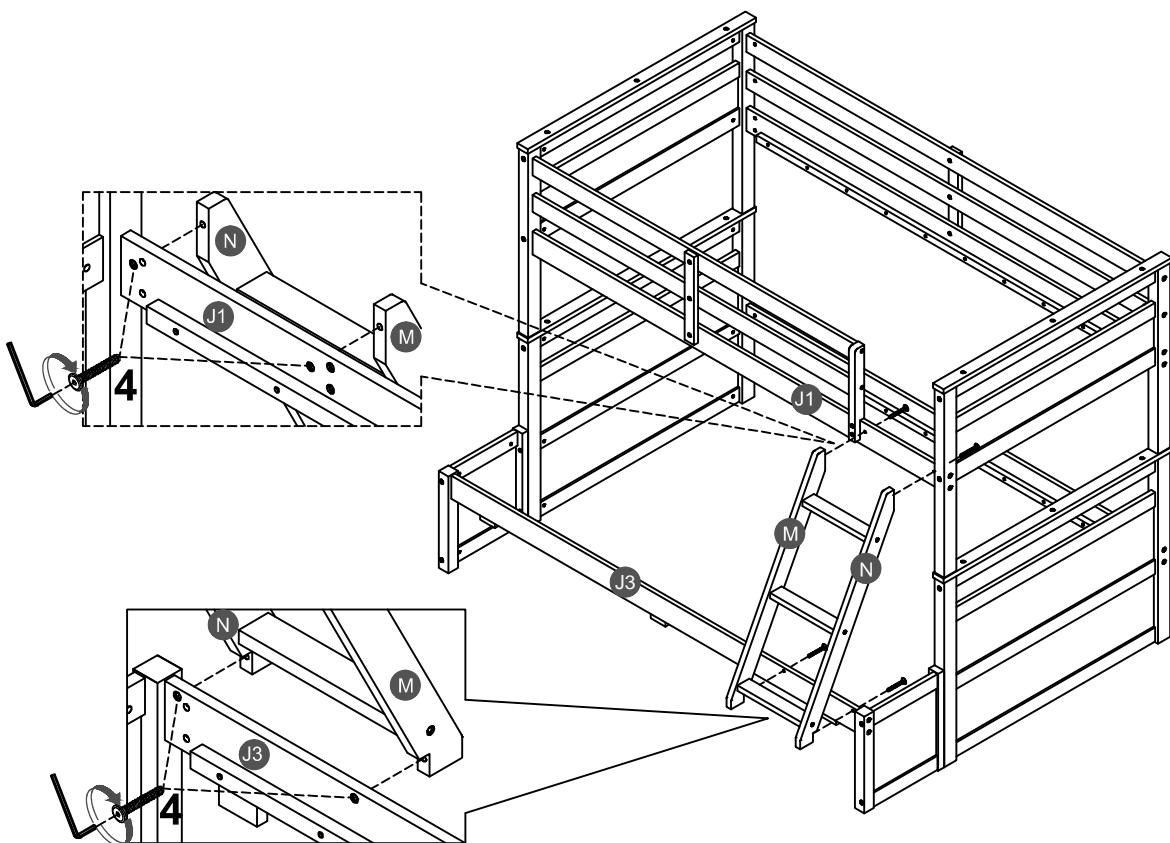



**STEP 11:**



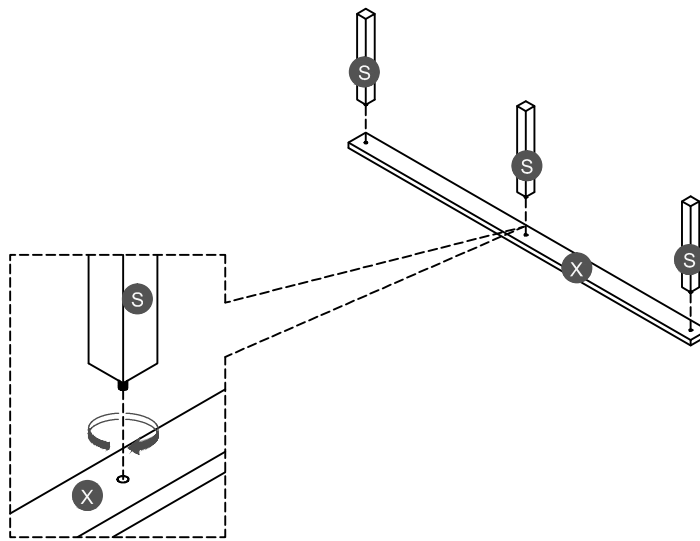
14	
6PCS	
8	
6PCS	

**STEP 12:**

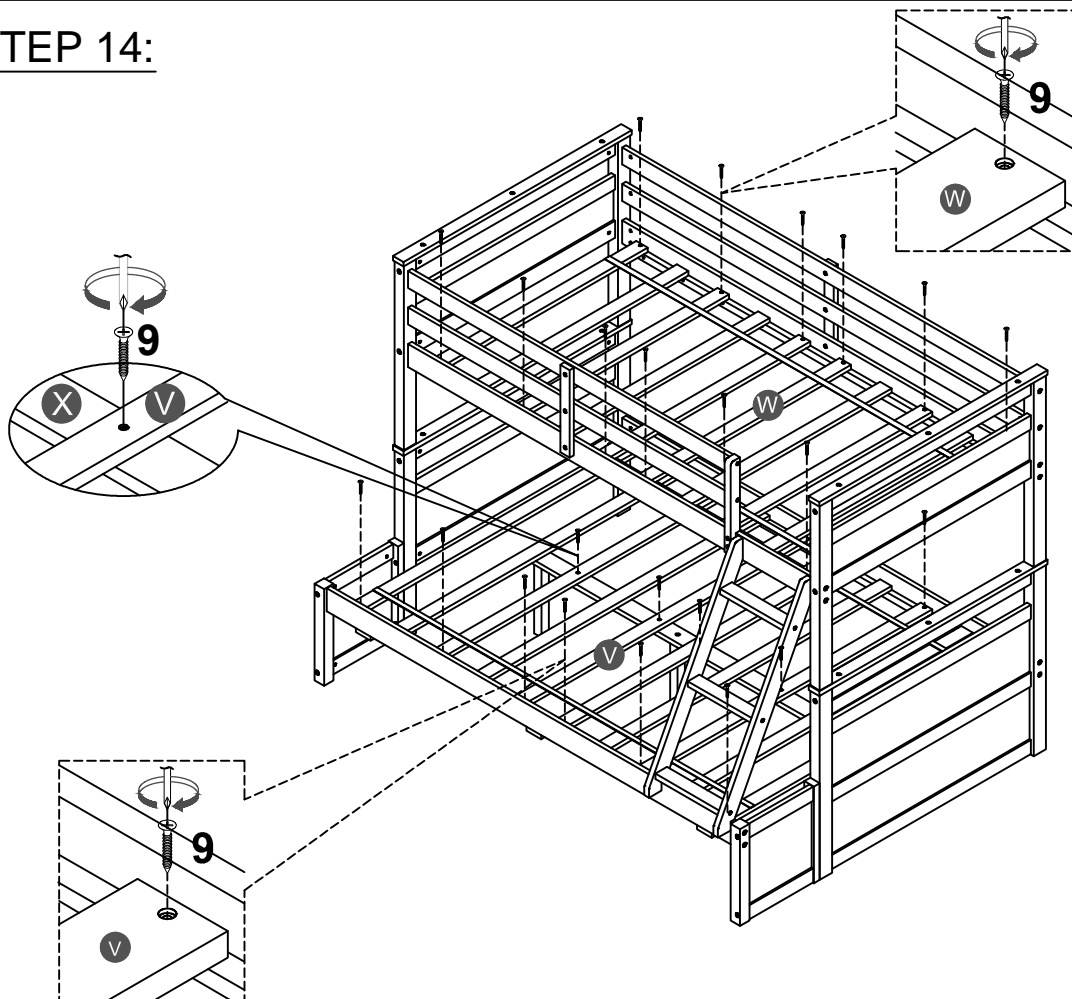


4	
4PCS	

**STEP 13:**

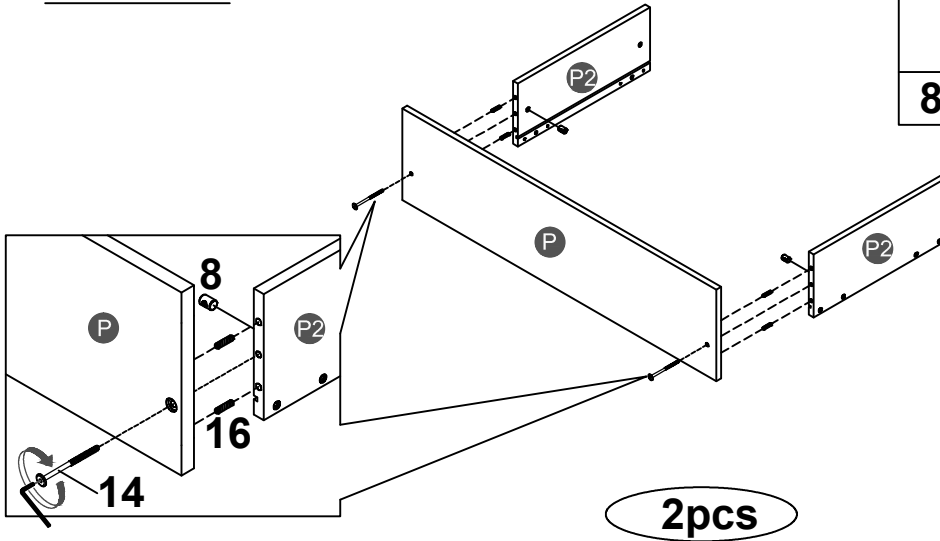


**STEP 14:**



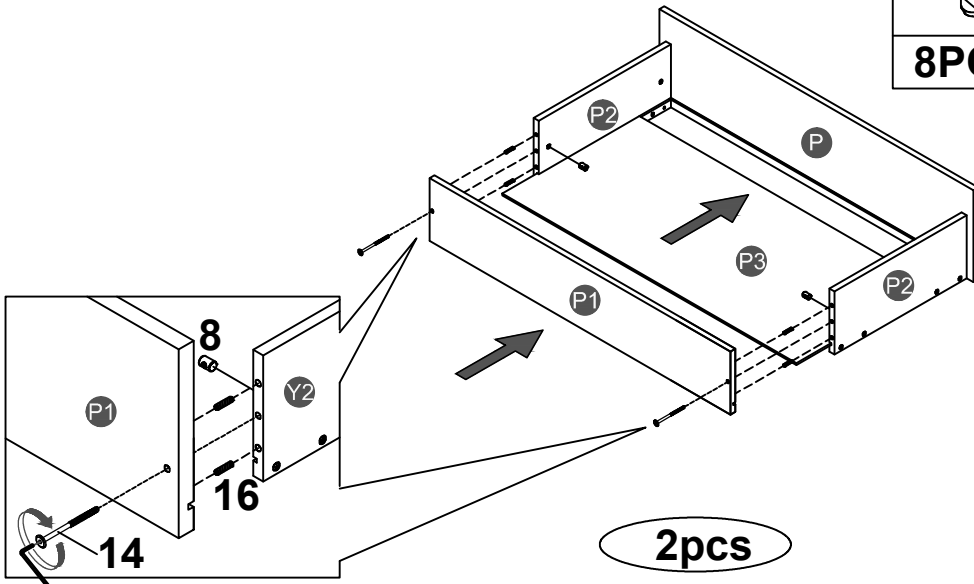
<b>9</b>	
<b>28PCS</b>	

**STEP 16:**



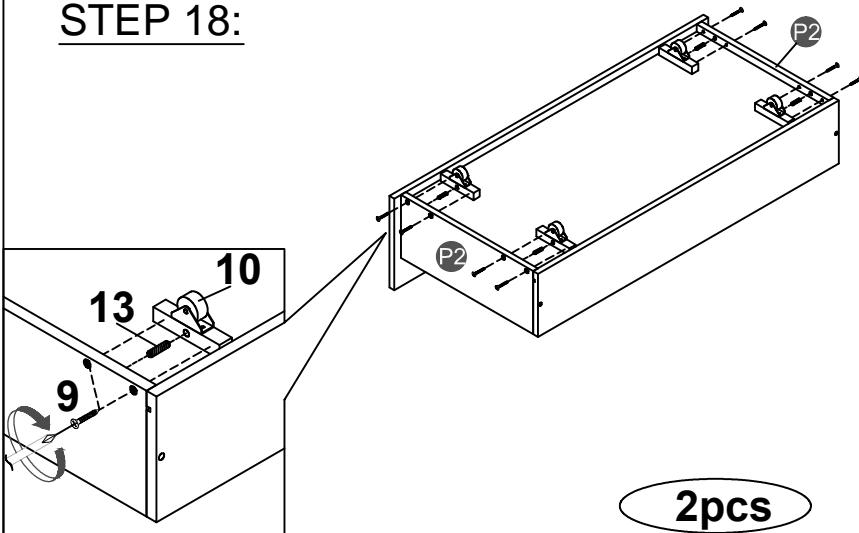
16	8	14
8PCS	4PCS	4PCS

**STEP 17:**

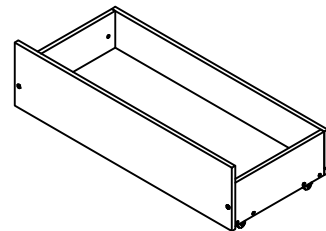


16	8	14
8PCS	4PCS	4PCS

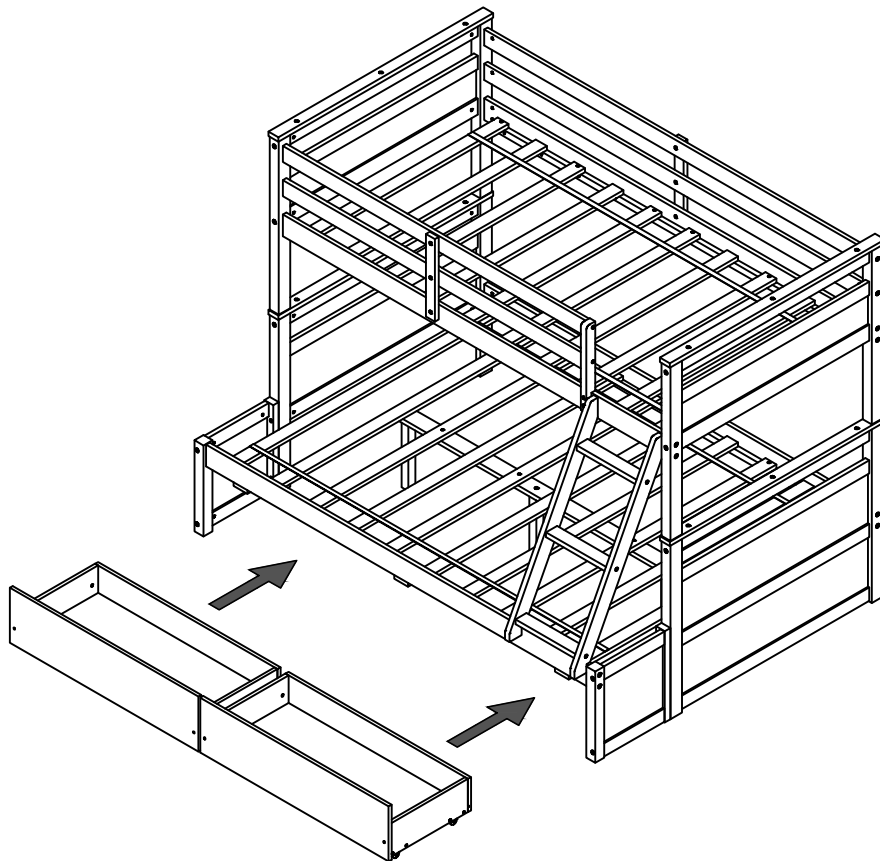
**STEP 18:**



13	9	10
8PCS	16PCS	8PCS



**STEP 19:**



Push Drawer under the bottom of Bunk Bed.

