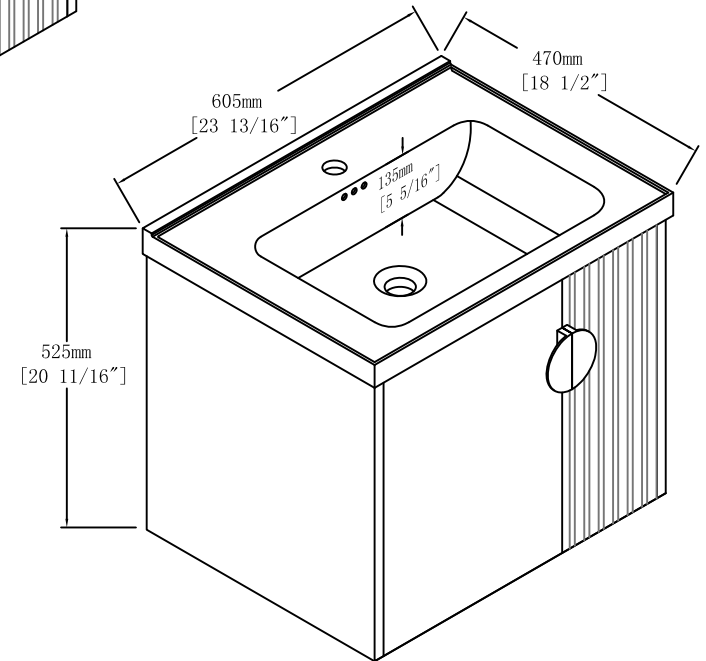


Back View



	Item NO.		Version	V1
	Project		Date	2023-11-6