

TS274

artos®

Square 2-Way Pressure Balance Shower Trim Kit
with Hand Held Shower on Integrated Slide Bar

OPERATING SPECIFICATIONS



MIXED WATER TEMPERATURE

Maximum: 120°F

INCLUDES

Shower Head & Arm Valve Trim

OPERATING PRESSURE

Minimum: 20 psi Maximum: 125 psi
Recommended: 30 psi - 95 psi
Operating pressures (on hot and cold lines) should be kept as balanced as possible, in order to assure the maximum efficiency.

HOT WATER SUPPLY TEMPERATURE

Maximum: 185°F Minimum: 50°F
Advisable: 150°F - 160°F
Minimum difference between hot mixed temperature: 50°F

FLOW CAPACITY

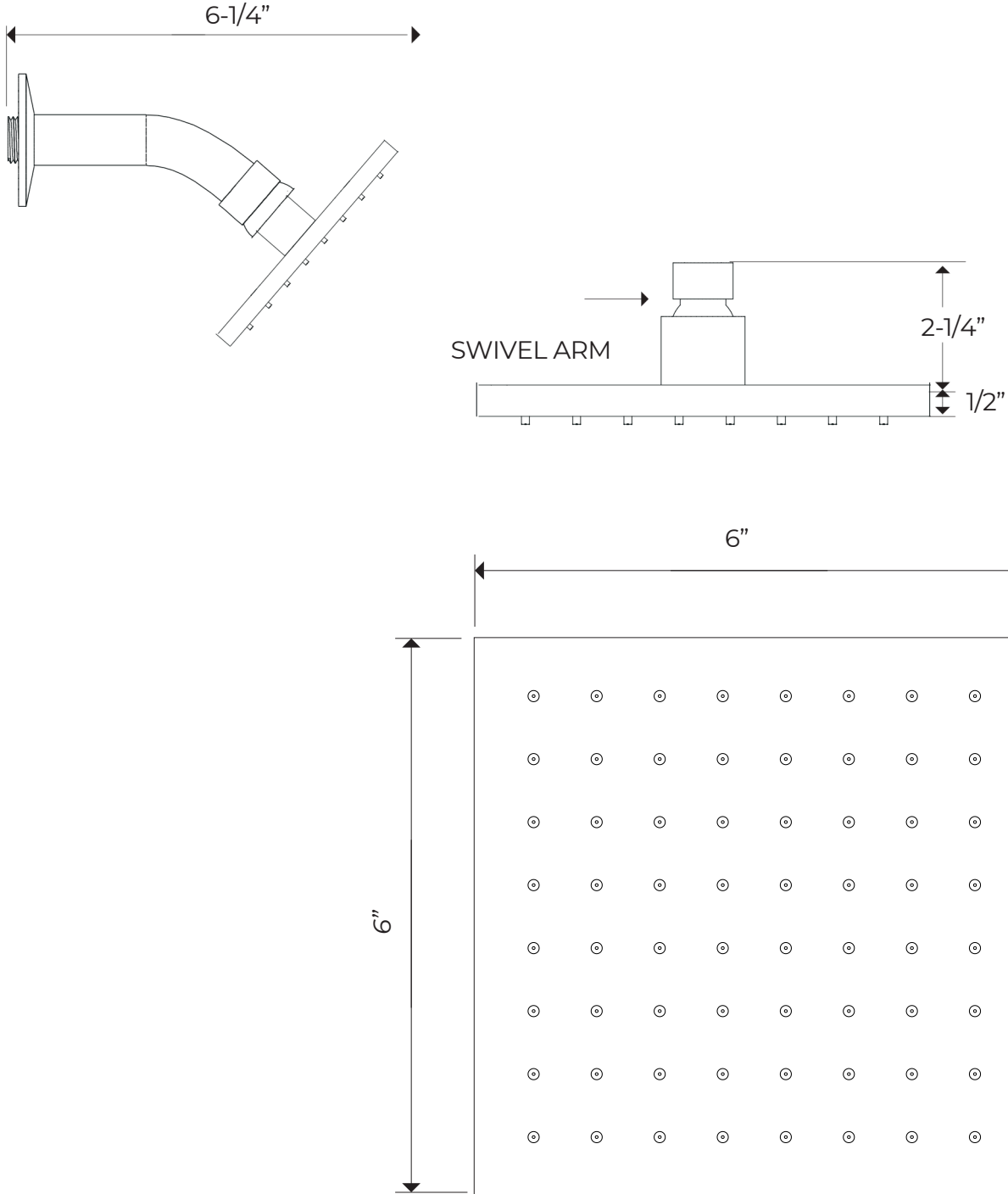
Shower Head: 1.8 GPM
Hand Shower: 1.8 GPM

TS274

artos®

Square 2-Way Pressure Balance Shower Trim Kit
with Hand Held Shower on Integrated Slide Bar

PRODUCT DIMENSIONS

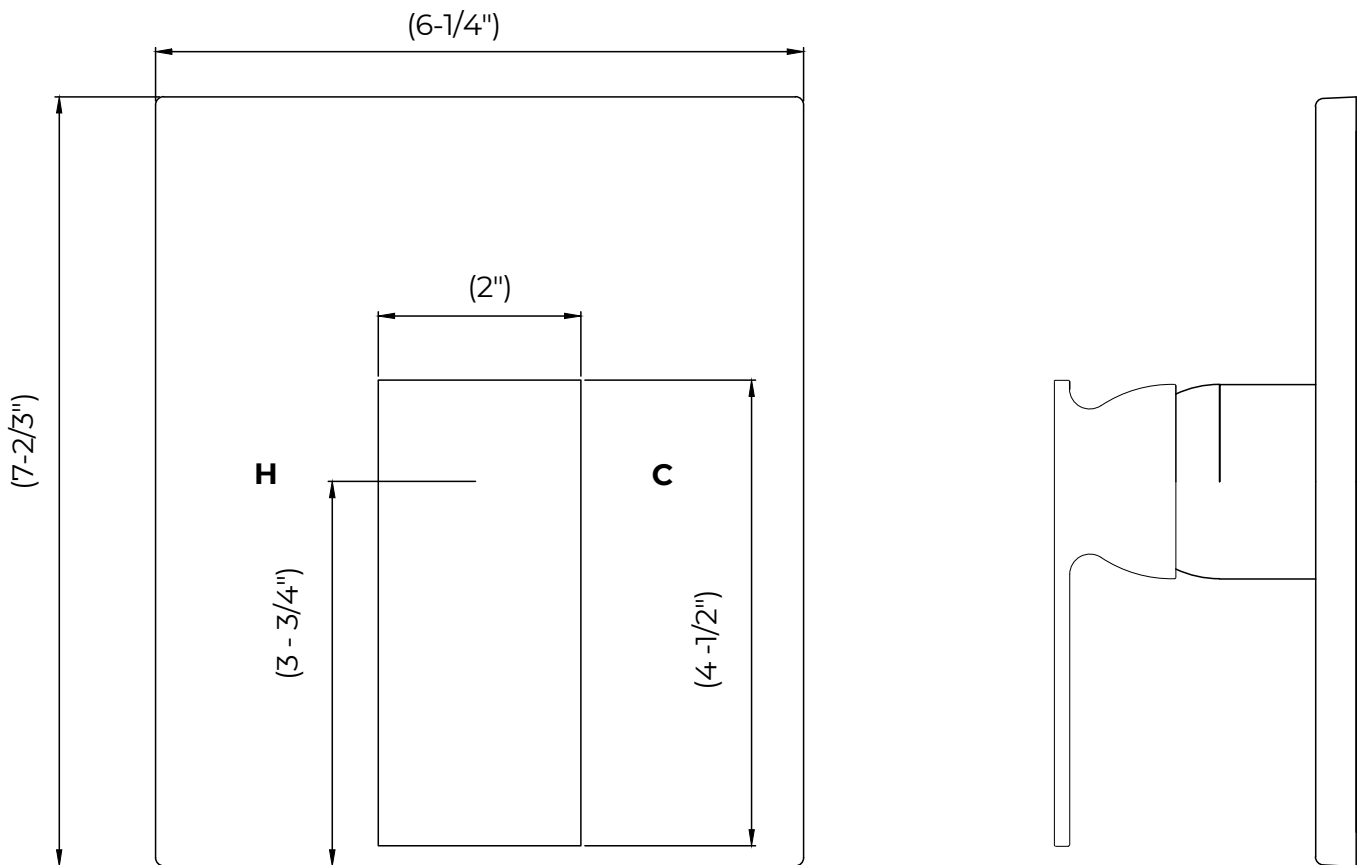


TS274

Square 2-Way Pressure Balance Shower Trim Kit
with Hand Held Shower on Integrated Slide Bar

artos®

PRODUCT DIMENSIONS



TS274

Square 2-Way Pressure Balance Shower Trim Kit
with Hand Held Shower on Integrated Slide Bar

artos®

PRODUCT DIMENSIONS

