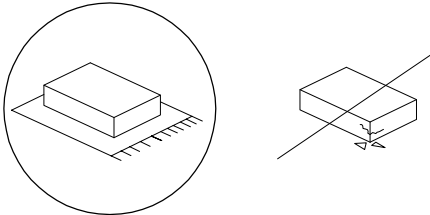

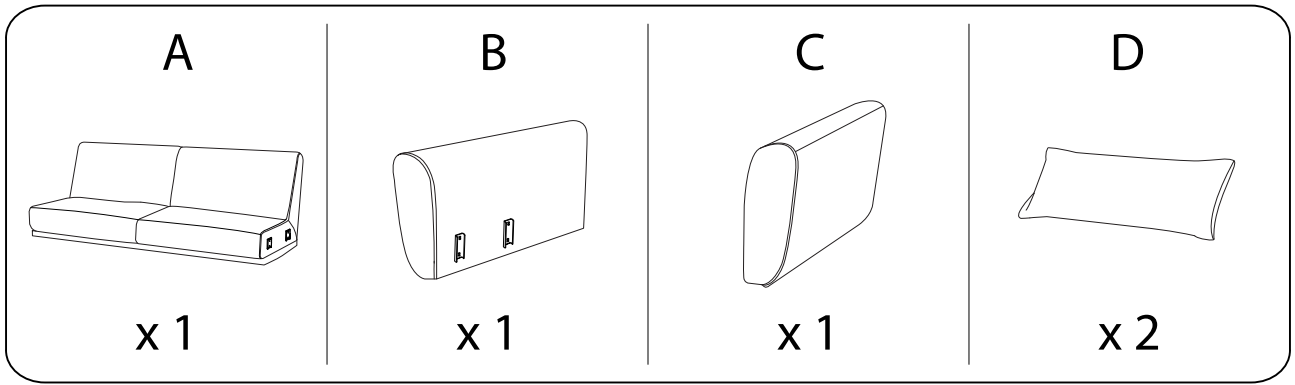
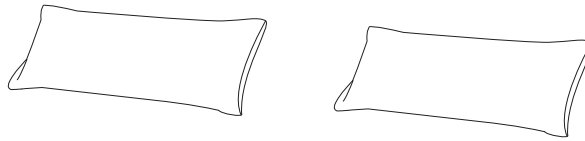
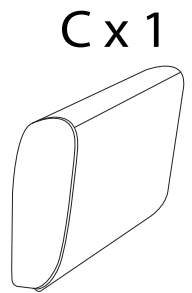
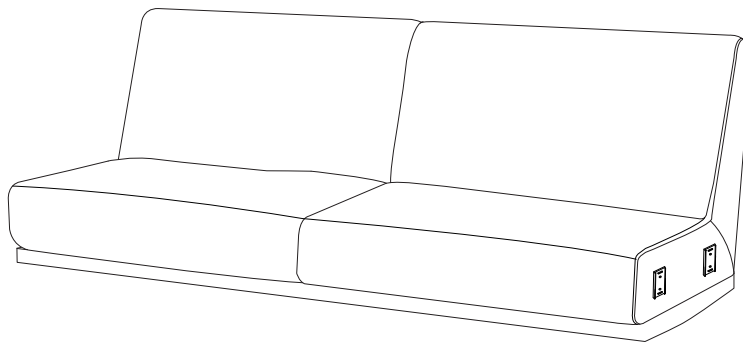
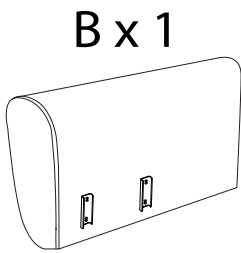
	<p>15'</p>
		
		<p>1</p>



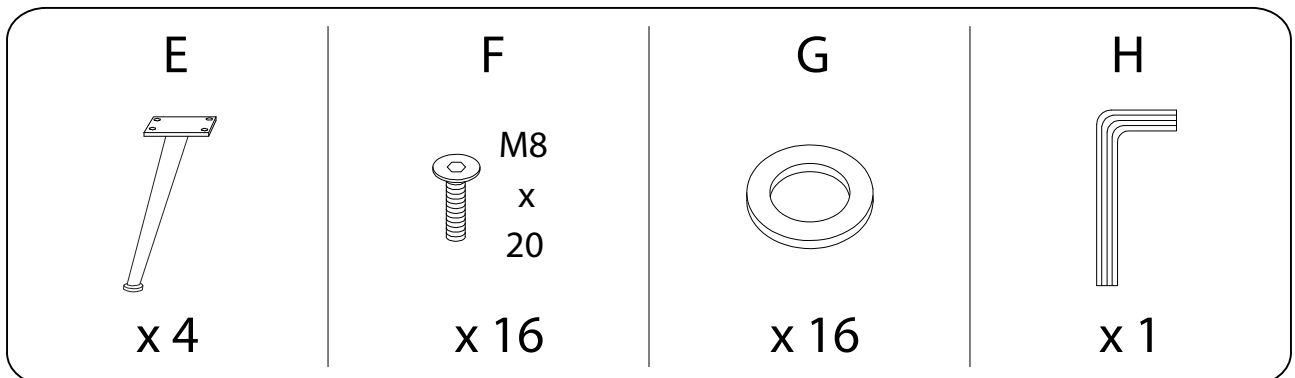
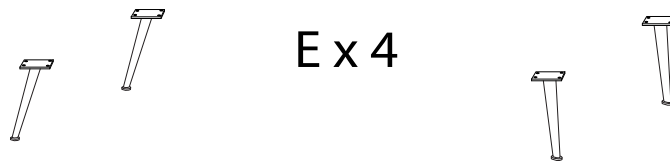
D x 2



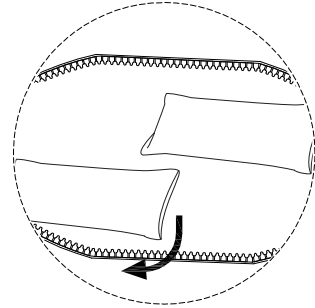
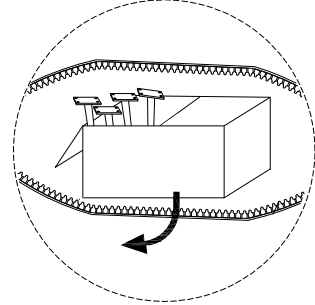
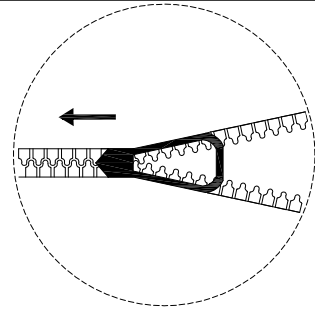
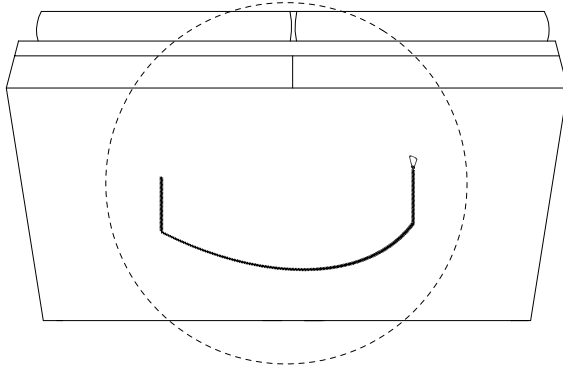
A x 1






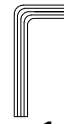

E x 4

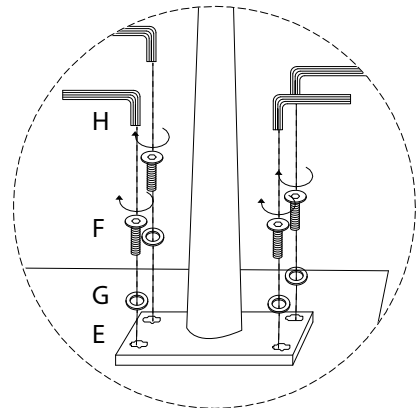
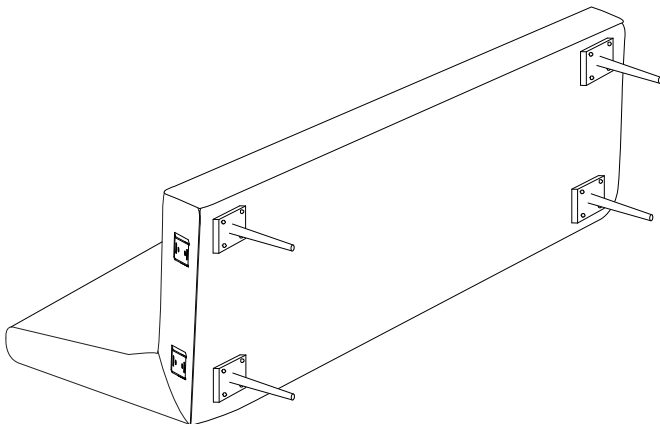


!



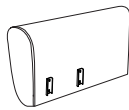
1

A  x 1	E  x 4	F  M8 x 20 x 16	H  x 1	G  x 16
--	--	--	--	---



2

B

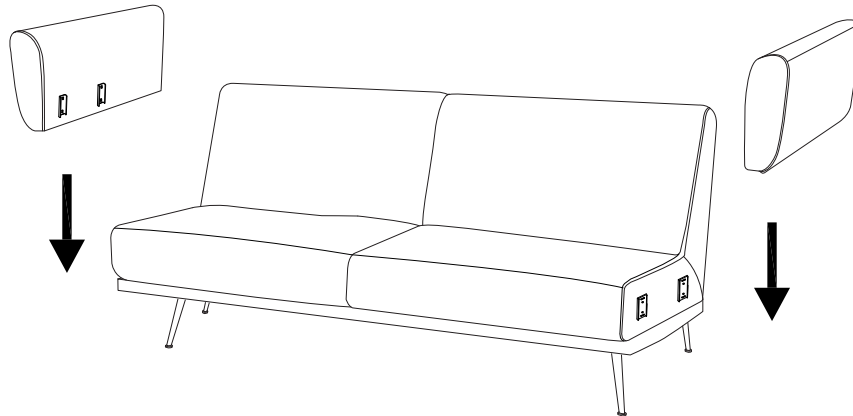


x 1

C

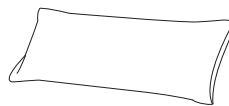


x 1



3

D



x 2

