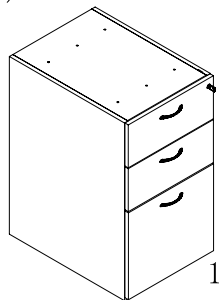
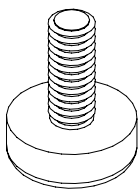


(1)



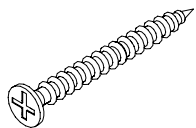
1PCS

(D) Leg Leveller



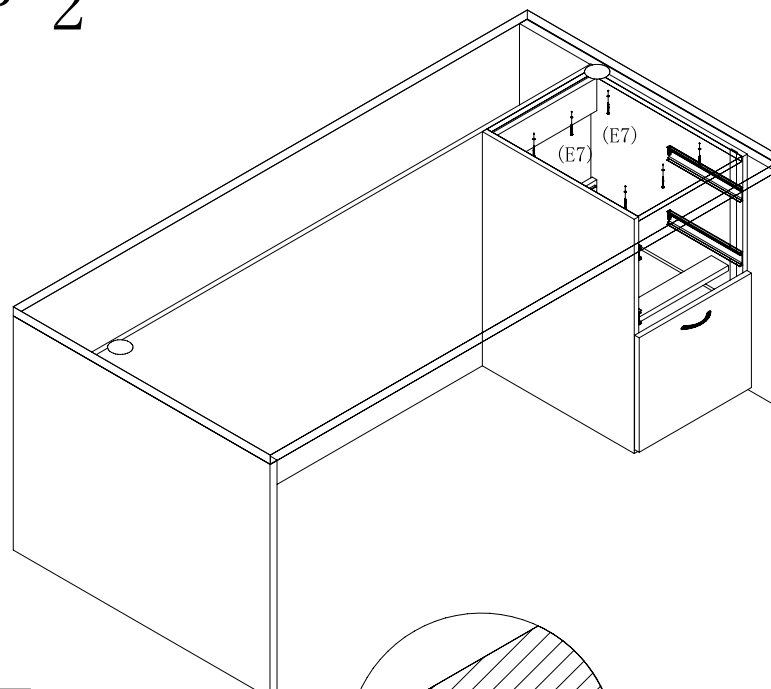
4PCS

(E7) Wood Screw

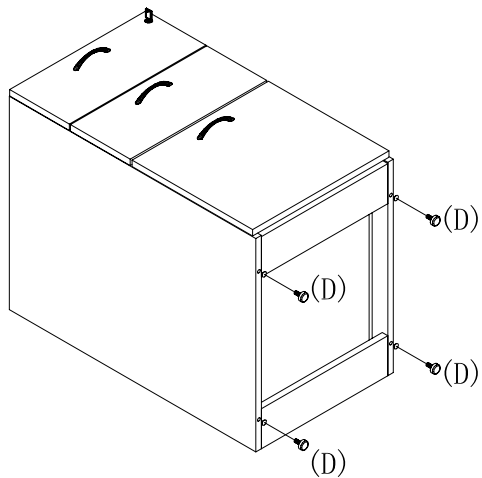


6PCS

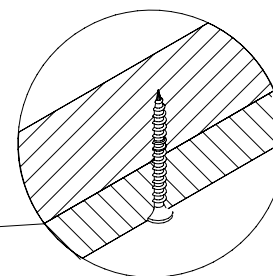
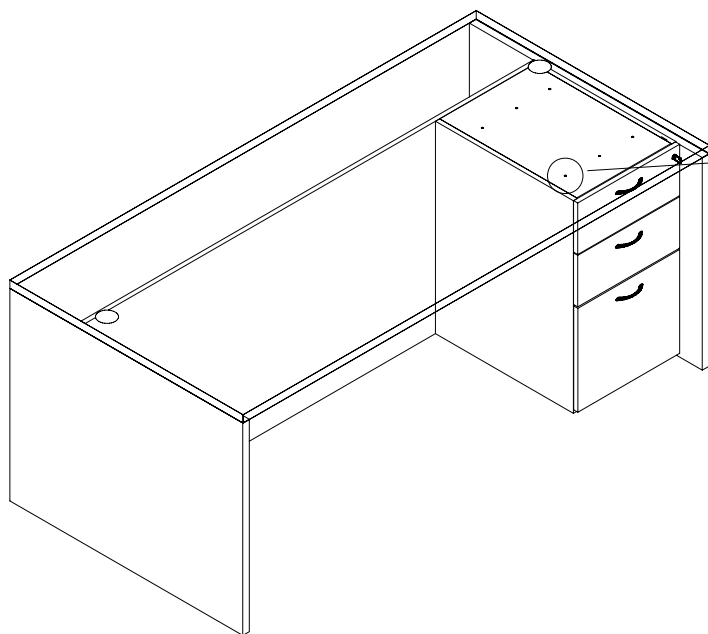
## STEP 2



## STEP 1



## STEP 3



B/B/F 3 DRAWER PED

*Always lay components on A clean, soft-cushioned surface during assembly.*