

PEDESTAL PIVOTING TOILET PAPER HOLDER

BWE sturdy toilet paper holder is super practical, it has multiple storage toilet paper to help you keep your room organizer and clean. The high-quality design is enough to ensure its durability. We are committed to providing products that bring perfect quality and life interest to people. To make customers feel at ease and make every home warm is our wish.

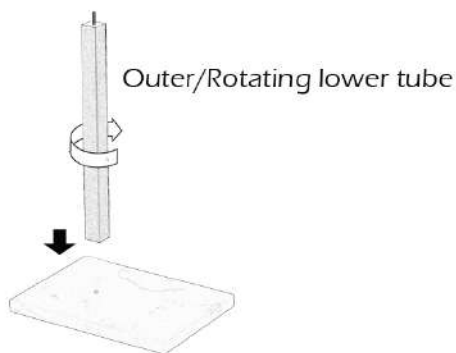
Assembly is easy, simply follow these instructions.

Parts List :



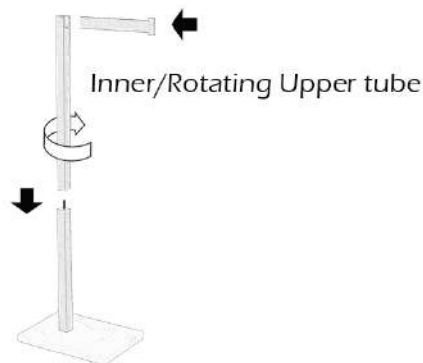
Tubing sub-assembly Pivot arm sub-assembly Base sub-assembly Adjustable cross bar

1



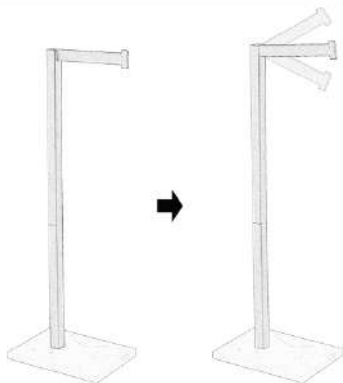
Place the outer/lower end of the tubing sub-assembly onto the bolt at the top of the base. Hold the outer/lower tube and turn clockwise to fasten the tubing onto the base. Hand tighten only.

2

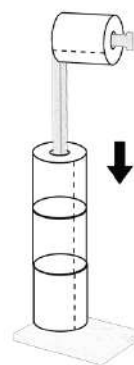


Insert bolt on pivot arm sub-assembly into top of tubing. Hold the inner/upper tube and turn the pivot arm sub-assembly clockwise to fasten. Hand tighten only.

3



4



Lastly, place the roll paper on the arm and the installation is complete.

Warning: This pedestal toilet paper holder has a weight in the base that will keep the product stable and upright. The product is not intended to support a weight load, force, or leverage.