





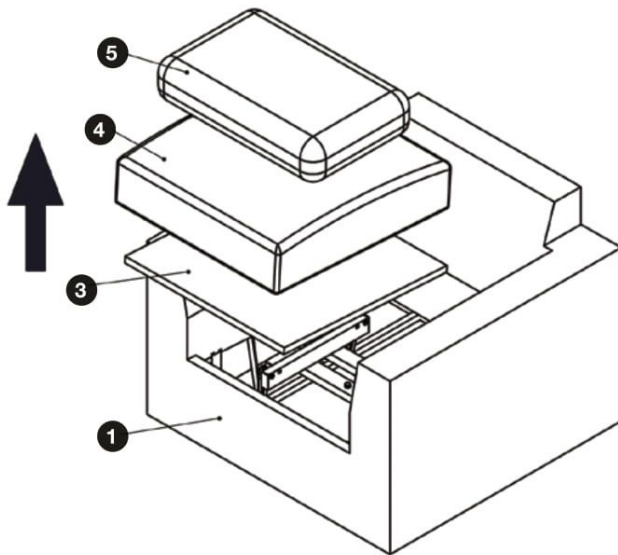
ASSEMBLY INSTRUCTIONS | ROCKER SOFA CHAIR

PARTS CHECKLIST		
1		Body (1 pc)
2		Base Swivel Rocker (1 pc)
3		Seat Platform (1 pc)
4		Seat Cushion (1 pc)
5		Back Cushion (1 pc)

HARDWARE CHECKLIST		
A		Hex Bolts M10x40mm (4 pcs)
B		Spring Washers M10x18 (4 pcs)
C		Flat Washers M10x20 (4 pcs)
D		Wrench (1 pc)

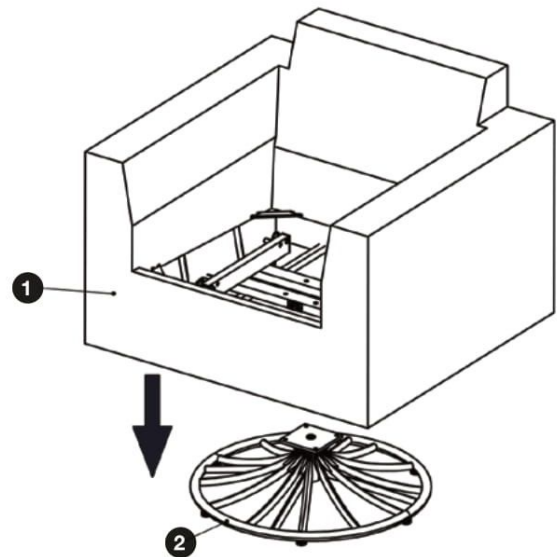
Step 1

Remove the back cushion, seat cushion and seat platform.



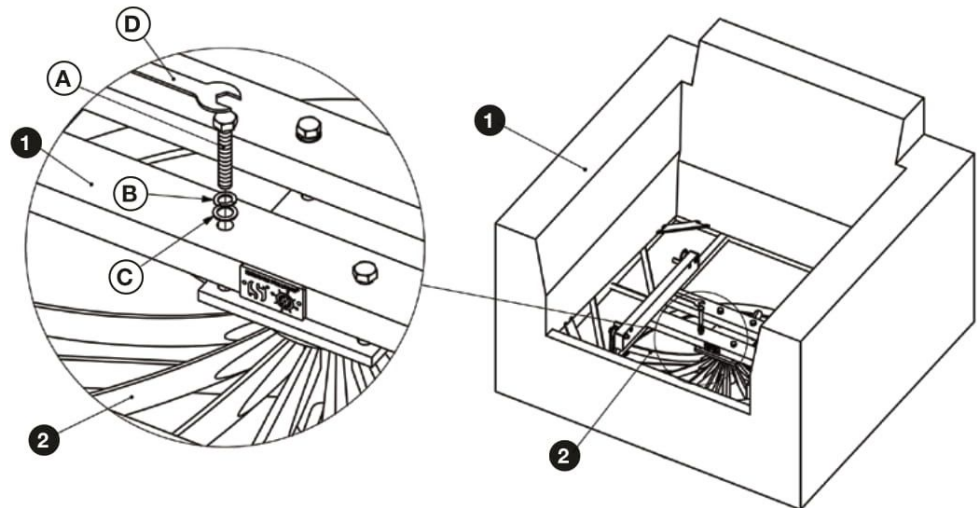
Step 2

Align the holes of body and base swivel rocker until all holes are centered.








Step 3

After the body and base holes are centered, thread the bolts one by one before fully tightening them all



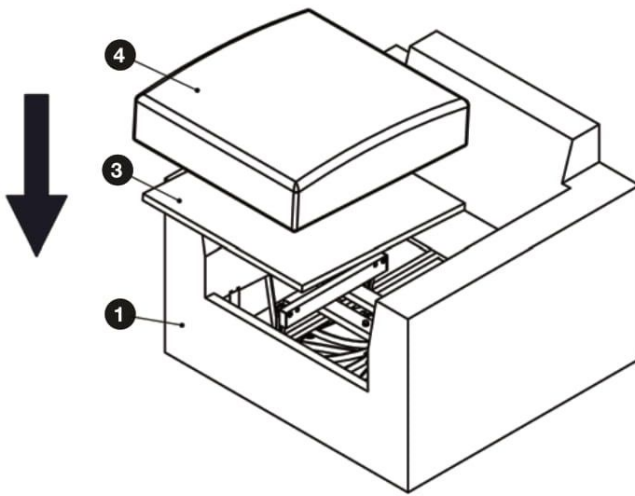
ASSEMBLY INSTRUCTIONS | ROCKER SOFA CHAIR

PARTS CHECKLIST		
1		Body (1 pc)
2		Base Swivel Rocker (1 pc)
3		Seat Platform (1 pc)
4		Seat Cushion (1 pc)
5		Back Cushion (1 pc)

HARDWARE CHECKLIST		
A		Hex Bolts M10x40mm (4 pcs)
B		Spring Washers M10x18 (4 pcs)
C		Flat Washers M10x20 (4 pcs)
D		Wrench (1 pc)

Step 4

Put the seat platform on the body, then put the seat cushion on it



Step 5

Put the back cushion on the backrest

