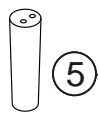
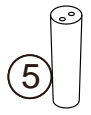
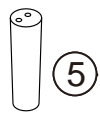
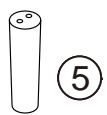
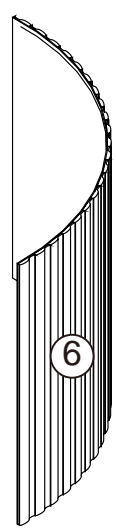
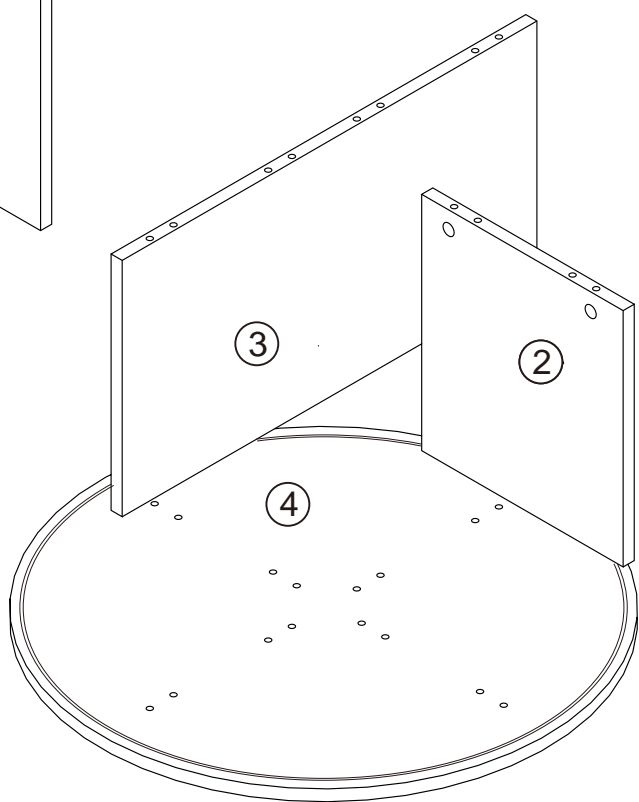
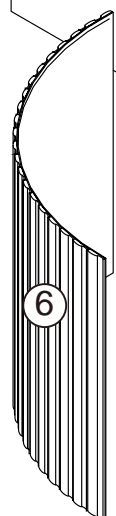
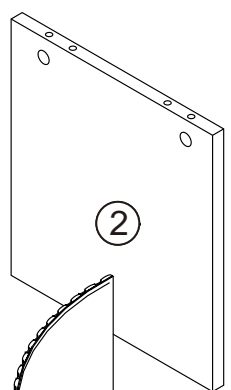
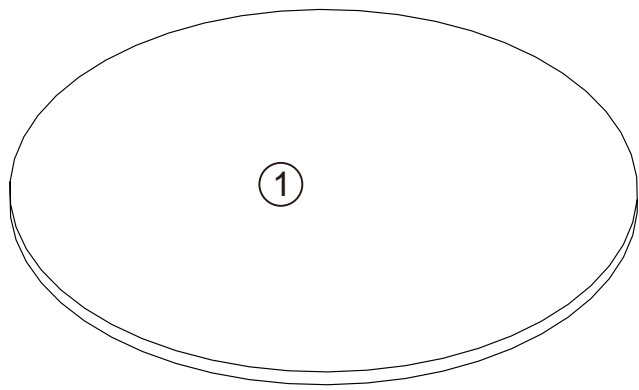
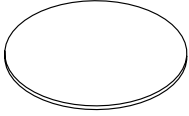
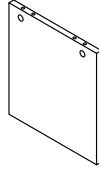
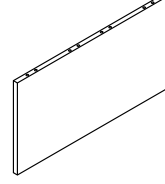
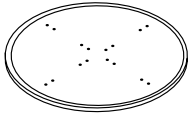




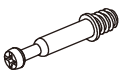

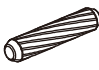
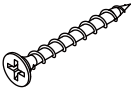
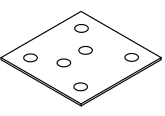
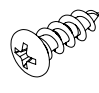
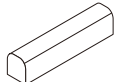
Installation instruction



Parts and Operation Elements

					
①	1pc	②	2pcs	③	1pc
					
④	1pc	⑤	4pcs	⑥	2pcs

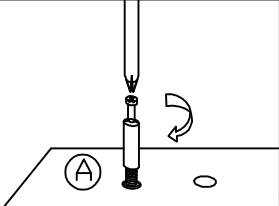
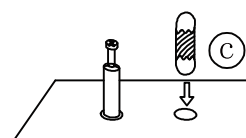
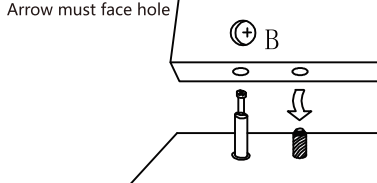
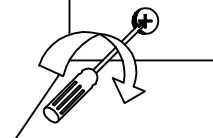
Hardware

			
Cam bolt	Cam Lock	6x30mm Wood dowel	4x40mm screw
A	B	C	D
8+1pcs	8+1pcs	16+1pcs	16+1pcs
			
	4x12mm screw		
E	F	G	
4pcs	20+1	2 pcs	



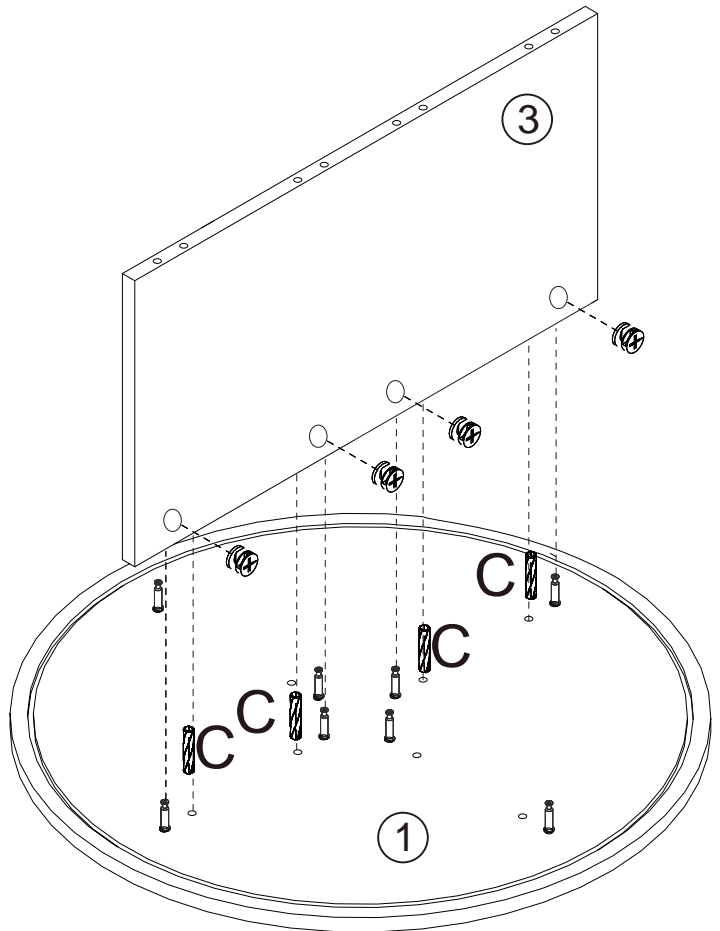
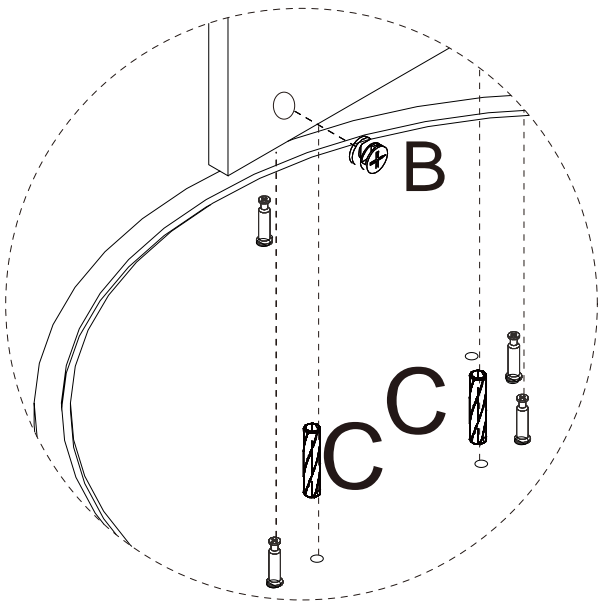
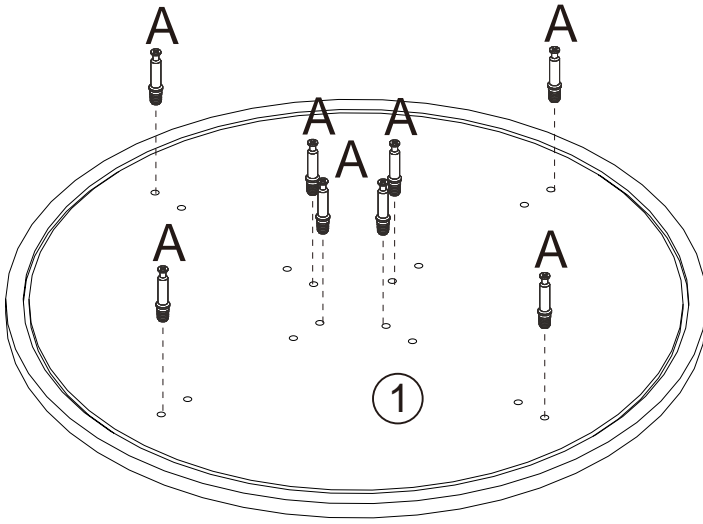
SPARE BAG

THE SPARE BAG INCLUDED EXTRA HARDWARE FOR DAMAGED OR MISSING SMALL HARDWARE WHILE YOU ARE ASSEMBLING

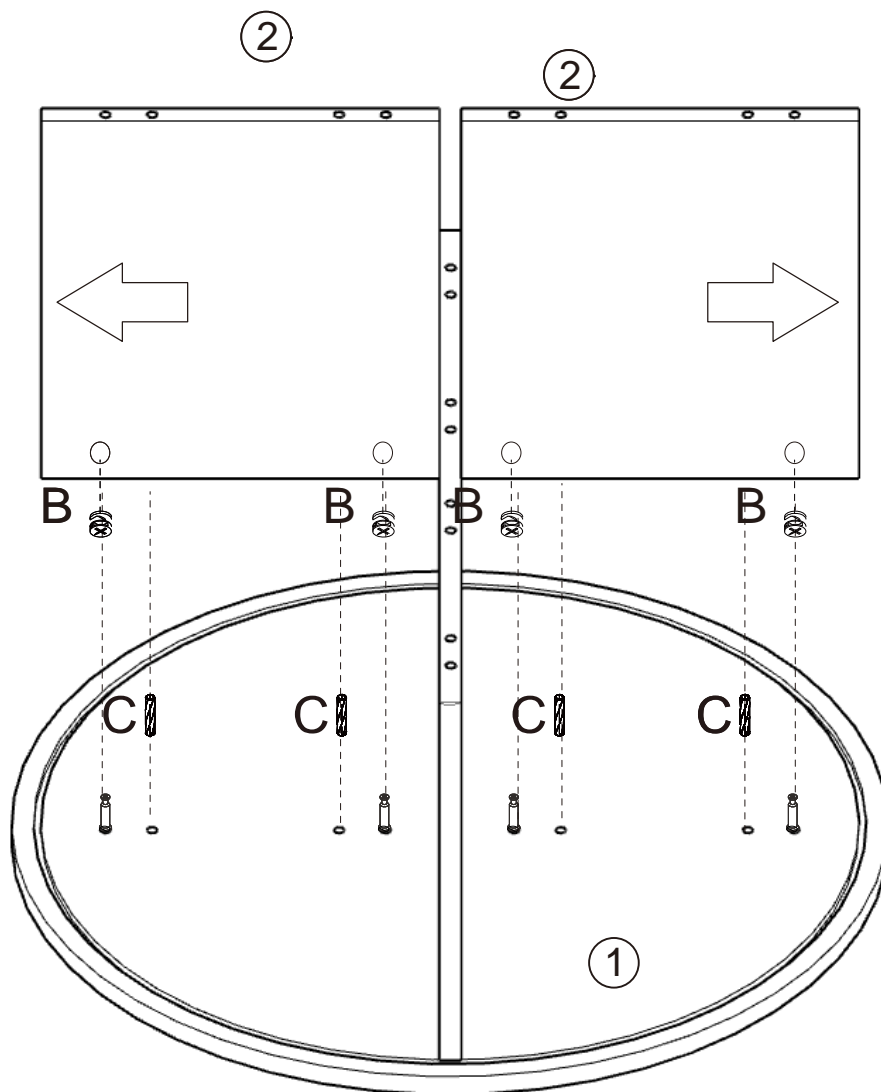
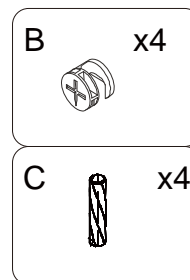
			
Gently screw cam bolt into the threaded anchor.	Insert the wood dowel halfway into hole.		Screw the camlock firmly into locked position.

1

- A x8
- B x4
- C x4

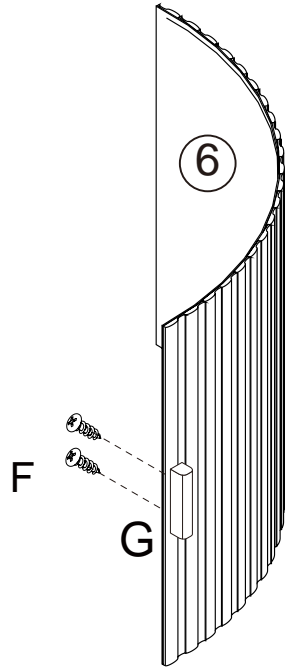


2

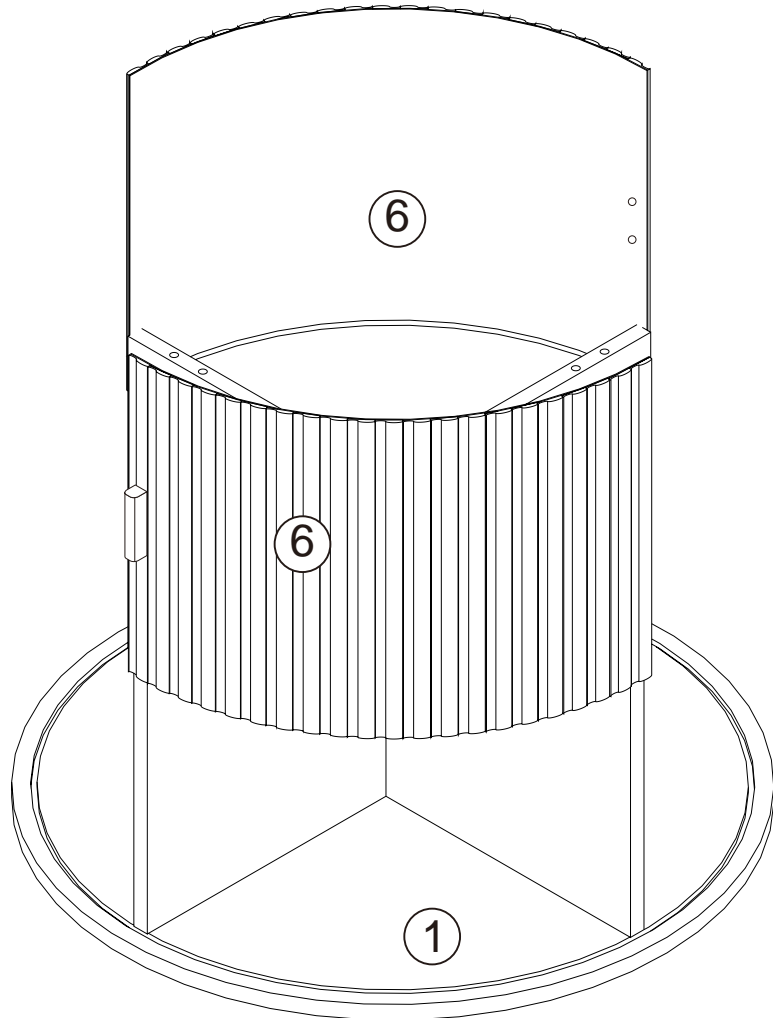
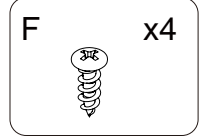
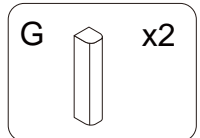
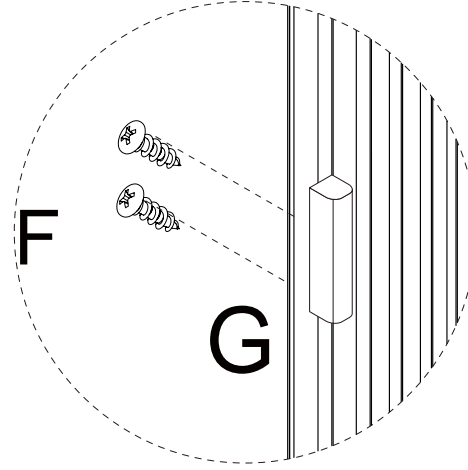


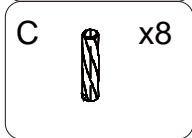
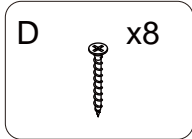
The No. 2 board must not exceed the position of the slot.

3

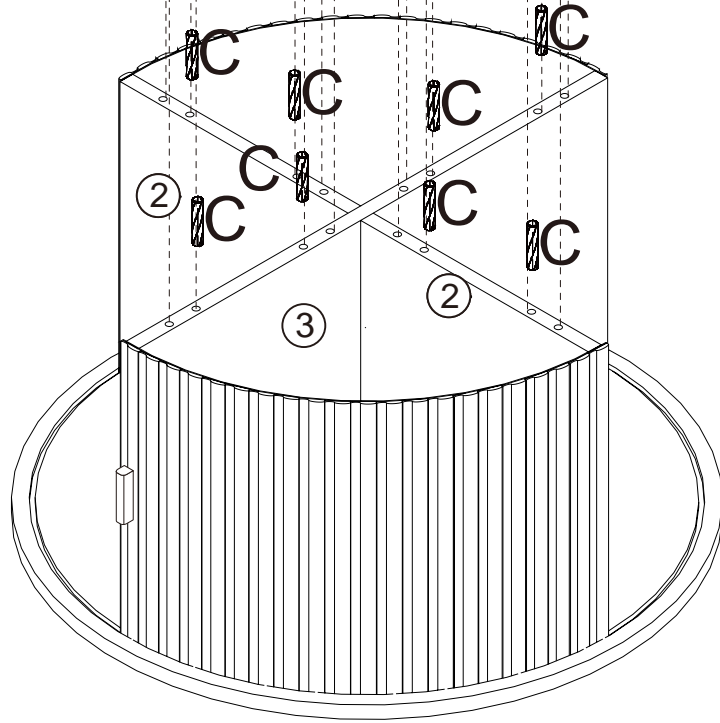
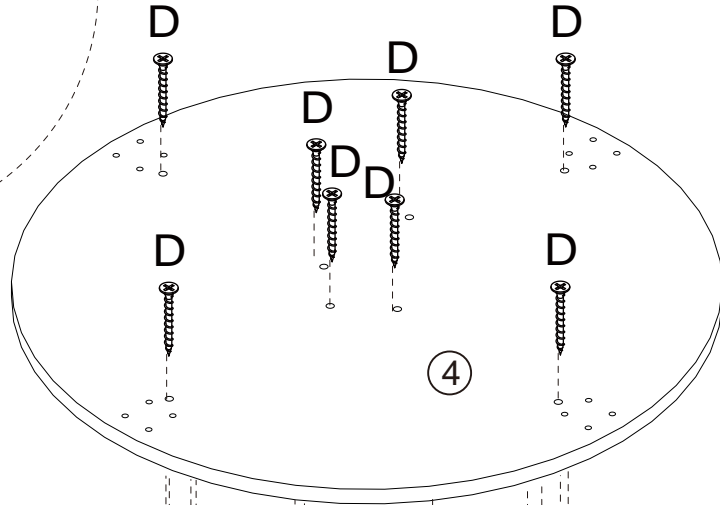
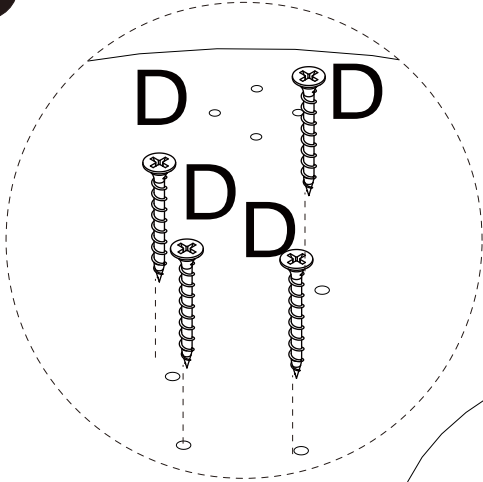


X2

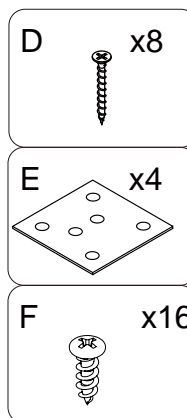
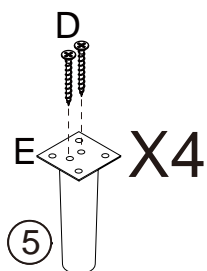




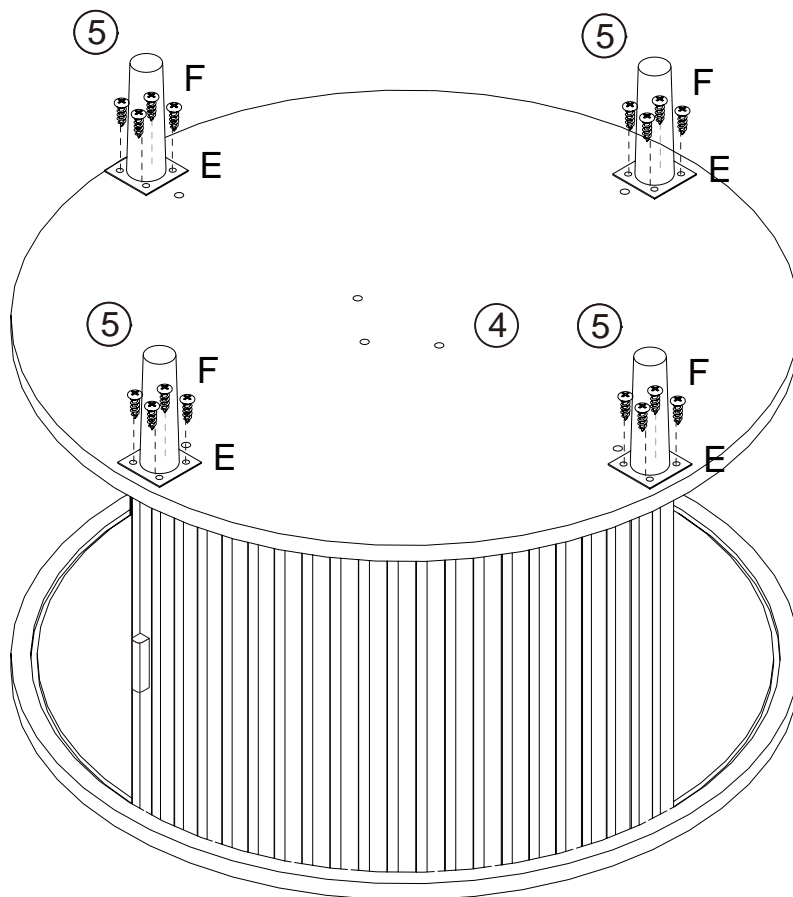
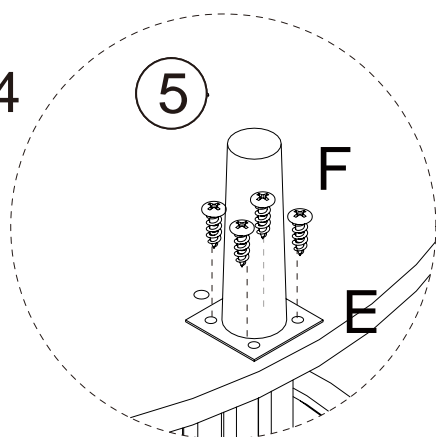
4



5



4



6

