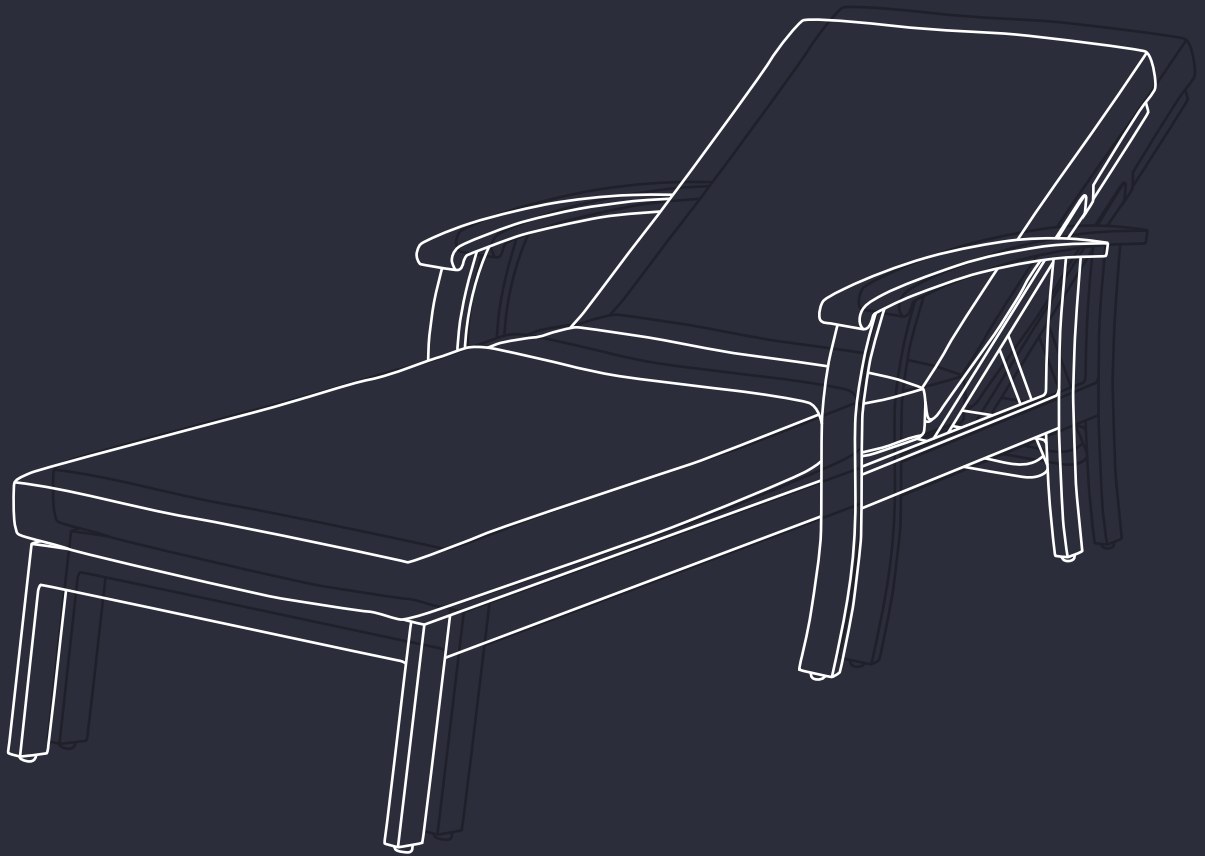


OWNER'S MANUAL

Patio Chaise Lounge



“Happy Families Through Happy Living”

Contact Us

Let's connect on social media



Got questions?
Feel free to email us:
Email: support@happatio.com

Scan the QR code to watch the installation video.



SAFETY PRECAUTIONS

WARNING



Please read and understand this entire manual before attempting to assemble or install the product.



Some parts may contain sharp edges. Please wear protective gloves when assemble or install the product.



Assemble the item on a soft, non-abrasive surface such as carpeting to avoid damage.



Keep all the children and pets away from assembly area. Children and pets should be supervised when they are in the area of the lounge chair construction.



Item is heavy. Please handle it carefully. Two or more people are required for this assembly.

CAUTION

- ★ Chair is for seating purpose only. Do not stand on or use any part of this item as a step ladder.
- ★ Recommended maximum sitting weight for the chair set is 275lbs/124kgs.
- ★ Please do not exceed the weight limitations of this item.
- ★ Firmly secure all bolts, screws and knobs before use. Reconfirm that all bolts, screws, and knobs are secure every 90 days.
- ★ Do not use or store this item in the proximity of open flame or flammable/combustible chemicals.
- ★ If any parts are missing, broken, damaged, or worn, stop using this product until repairs are made and/or factory replacement parts are installed.

ATTENTION

- ★ Check every part with the part list before assembly. If any part is missing or damaged, do not attempt to assemble the product and contact us immediately.
- ★ We care about every customer's experience. Please feel free to contact us if you have any advice. We will offer you efficient solutions ASAP.
- ★ We recommend you to use waterproof furniture cover to protect the entire patio lounge chair when it is out of use.
- ★ You could adjust the foot leveler to keep table in balance.

WARRANTY COVERAGE REQUIREMENTS

- ★ Pictures of the damaged parts. The order number of your product.
- ★ Please gather all of this information BEFORE you contact us.
- ★ Do not use this item in a way inconsistent with the manufacturer's instructions, as this could void the product warranty.



E-mail:
support@happatio.com

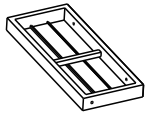
 Social Media



ACCESSORIES DISPLAY

Seat Frame

A



1PC

Seat Frame

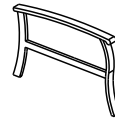
B



1PC

Armrest (Left)

C



1PC

Armrest (Right)

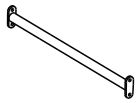
D



1PC

Support Rod

E



1PC

Back Frame

F



1PC

Bolt M6(20mm)

G



4PCS

Bolt M6(32mm)

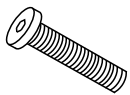
H



6PCS

Bolt M6(40mm)

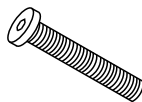
I



2PCS

Bolt M6(50mm)

J



2PCS

Steel Washer

K



16PCS

Plastic Washer

L



2PCS

Nut

M



2PCS

M6 Wrench

N



1PC

M6 Wrench

O



1PC



E-mail:
support@happatio.com

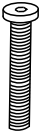
Social Media



PRODUCT ASSEMBLY

STEP 1

x2



J : 2 PCS

x4

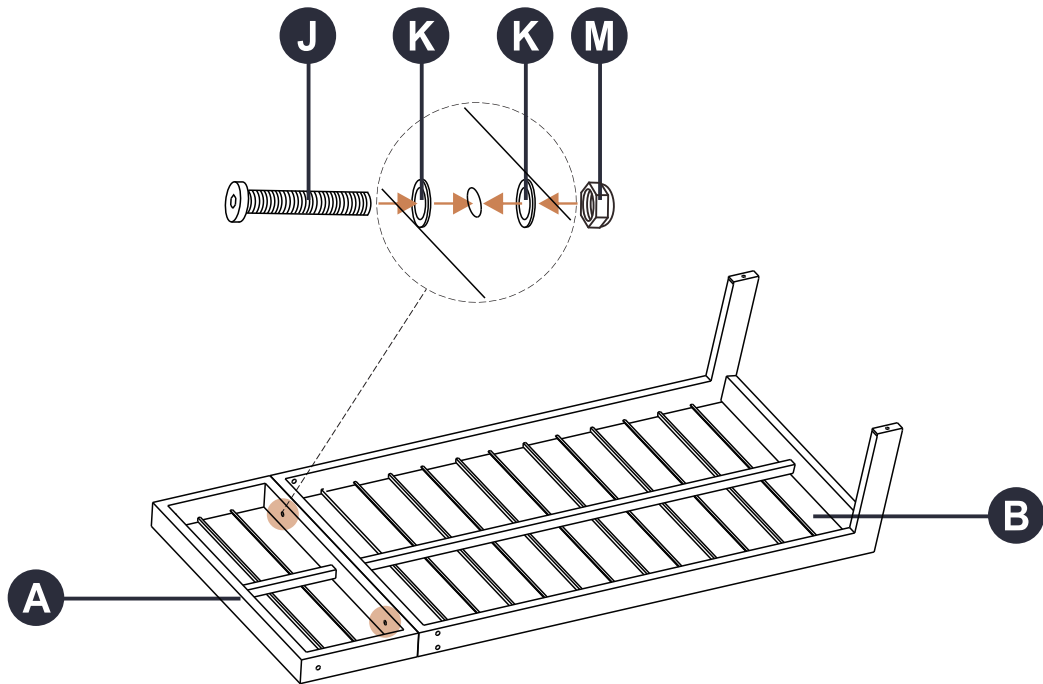


K : 4 PCS

x2



M : 2 PCS



NOTICE:

Please assemble the item on a soft, non-abrasive surface such as carpeting to avoid damage.

STEP 2

x3

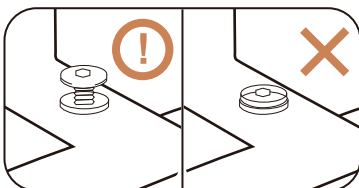
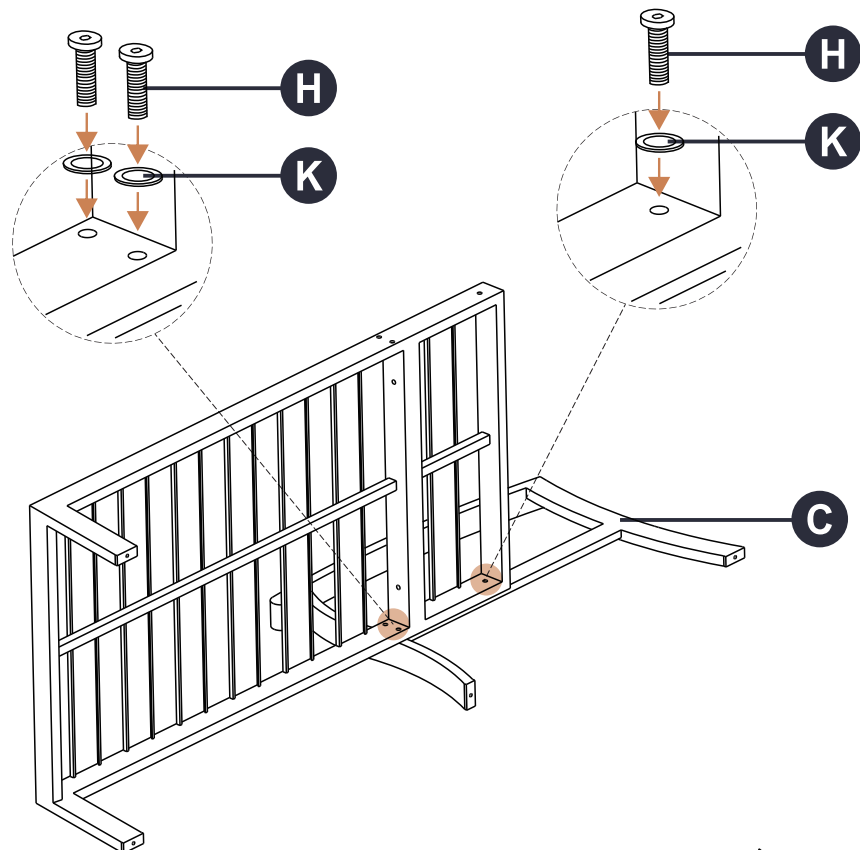


H : 3 PCS

x3



K : 3 PCS



In order to increase efficiency, it is recommended to simply fix all accessories with screws and then tighten the screws altogether.



E-mail:
support@happatio.com

Social Media



PRODUCT ASSEMBLY

STEP 3

x3

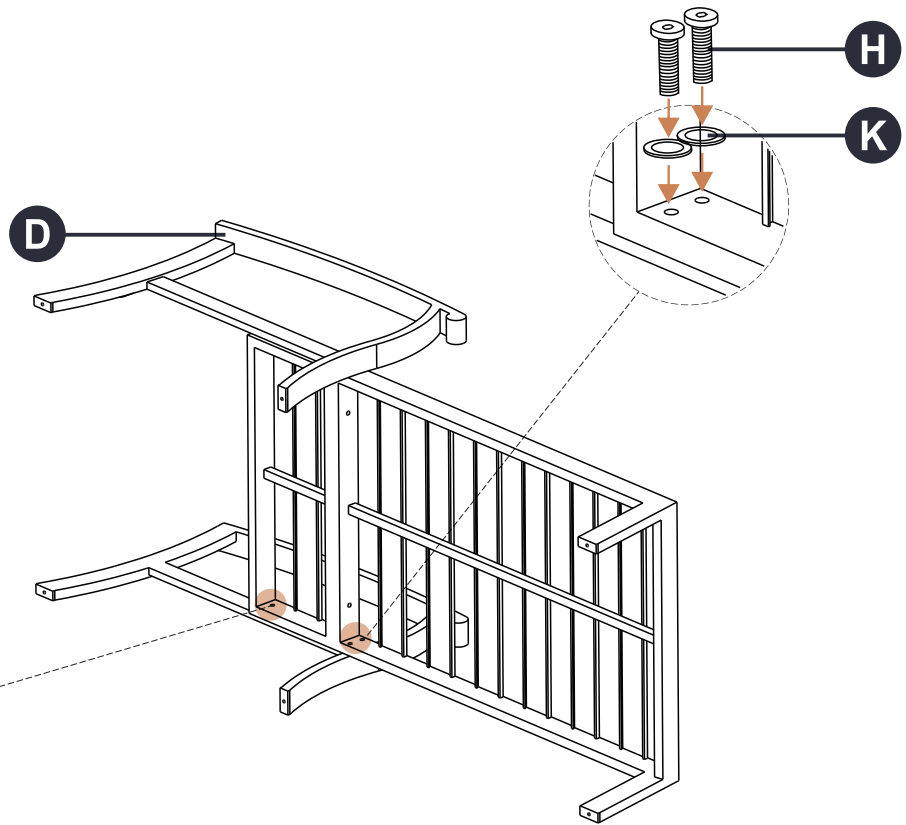
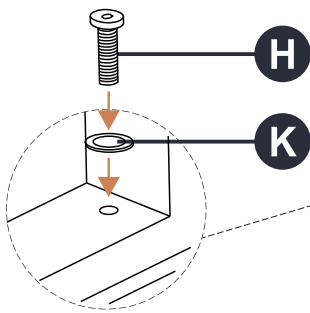


H : 3 PCS

x3



K : 3 PCS



STEP 4

x4

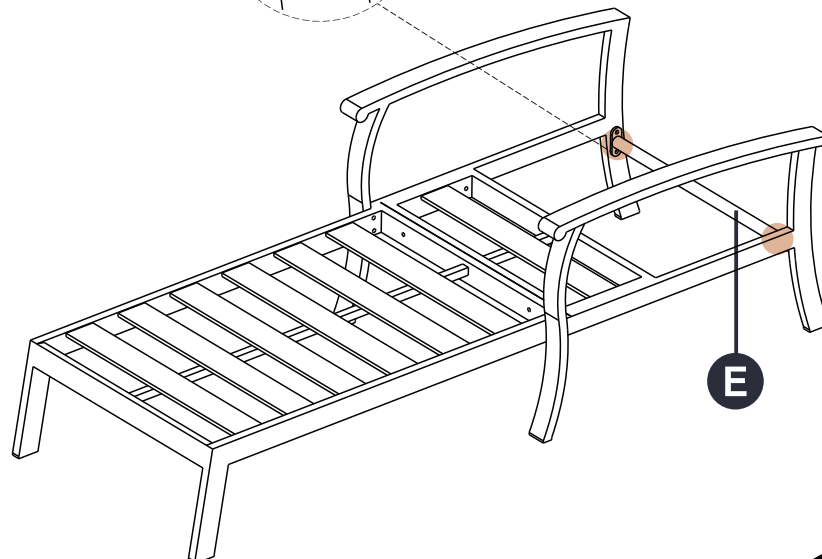
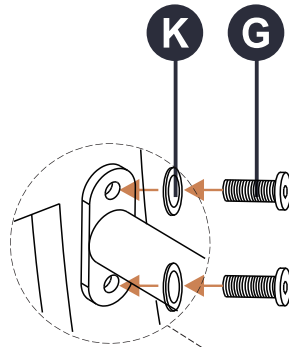


G : 4 PCS

x4



K : 4 PCS



E-mail:
support@happatio.com

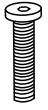
Social Media



PRODUCT ASSEMBLY

STEP 5

x2



I : 2 PCS

x2

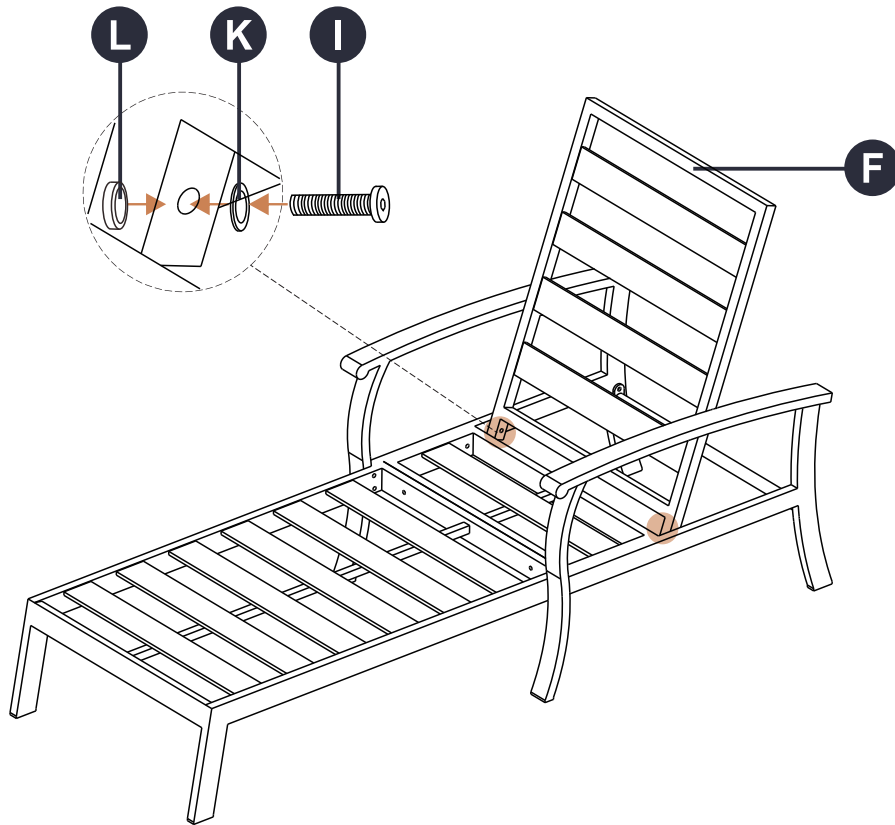


K : 2 PCS

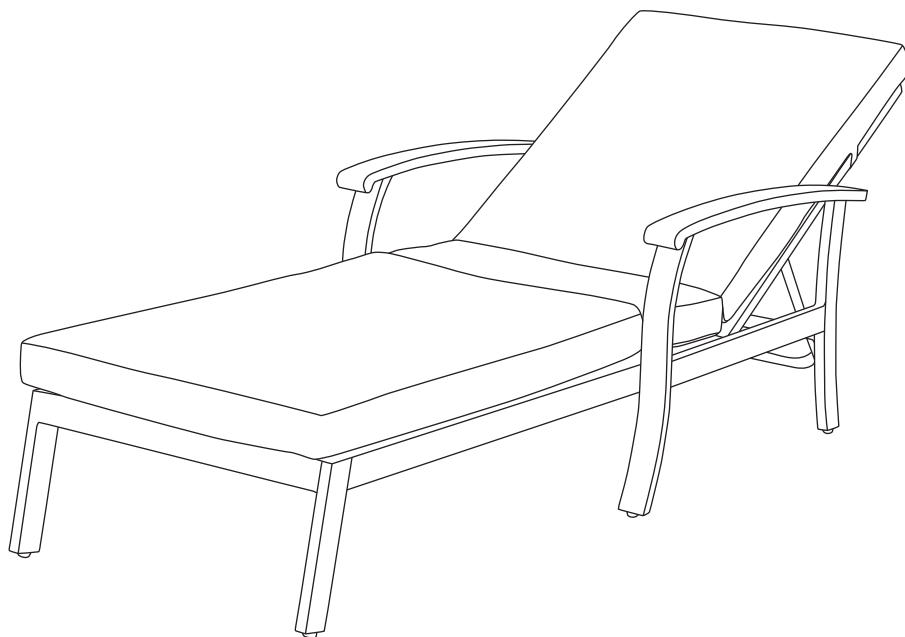
x2



L : 2 PCS



Complete



E-mail:
support@happatio.com

Social Media

