







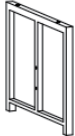








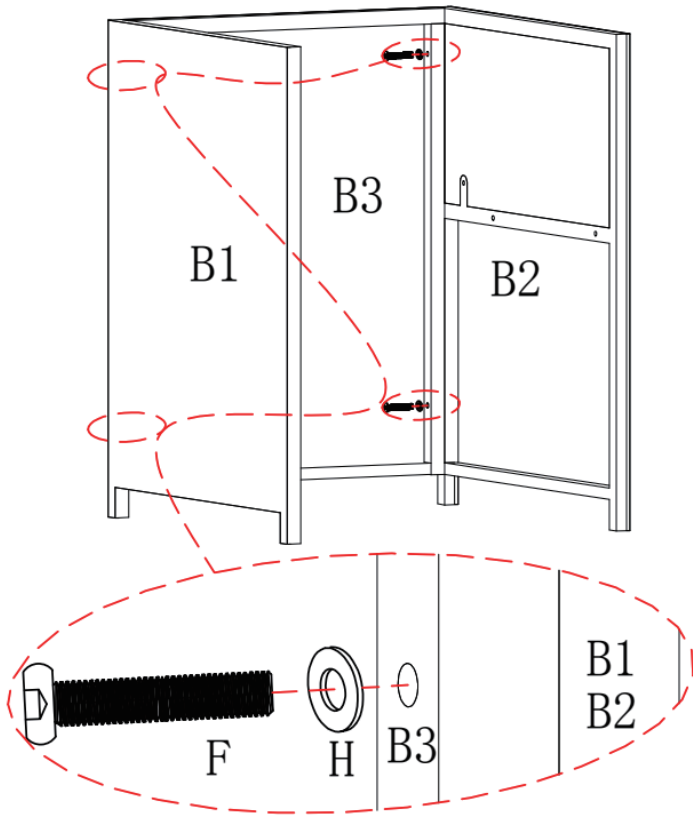


Parts List

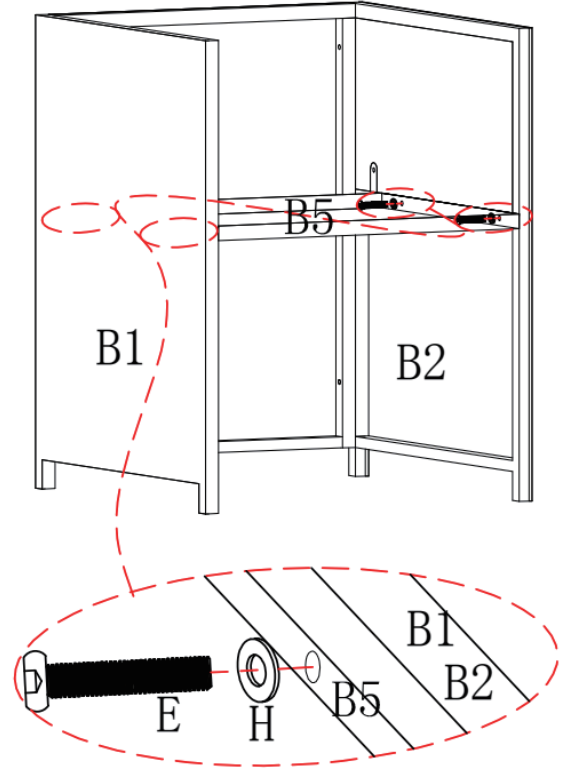
NO.	PARTS	Q' TY	NO.	PARTS	Q' TY
B1		2PCS	B2		2PCS
B3		2PCS	B4		2PCS
B5		2PCS	B6		2PCS
B7		2PCS	C1		2PCS
C2		4PCS	C3		2PCS
C4		2PCS	E	 M6*40L	20PCS
F	 M6*35L	8PCS	G	 M6*20L	8PCS
H		36PCS	I	 M6*6. 0T	4PCS
O		1PC			

ASSEMBLY STEPS

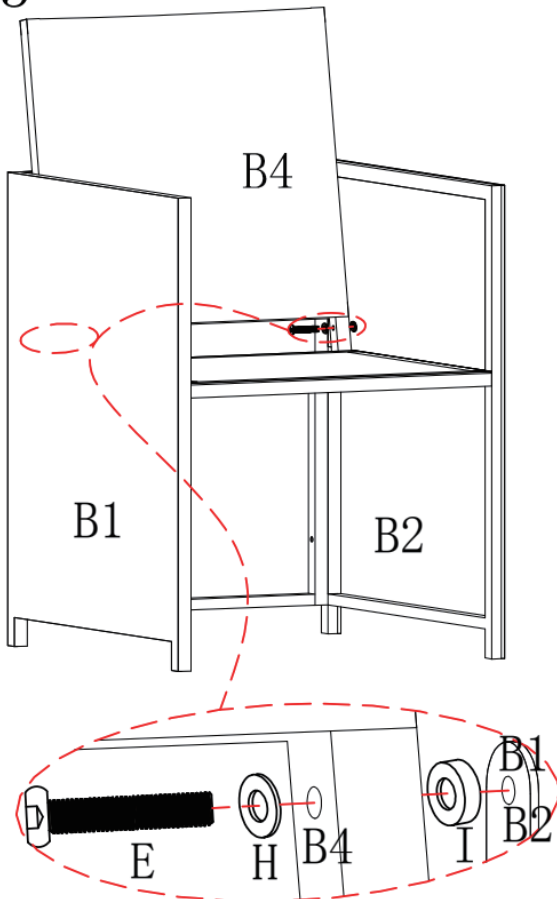
Step 1



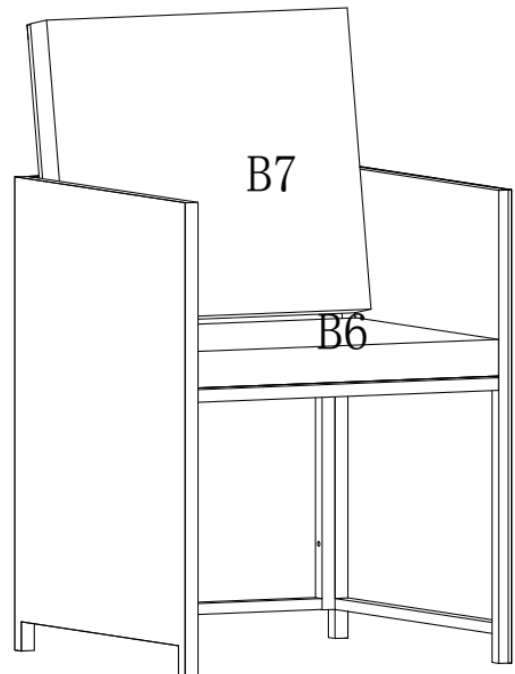
Step 2



Step 3



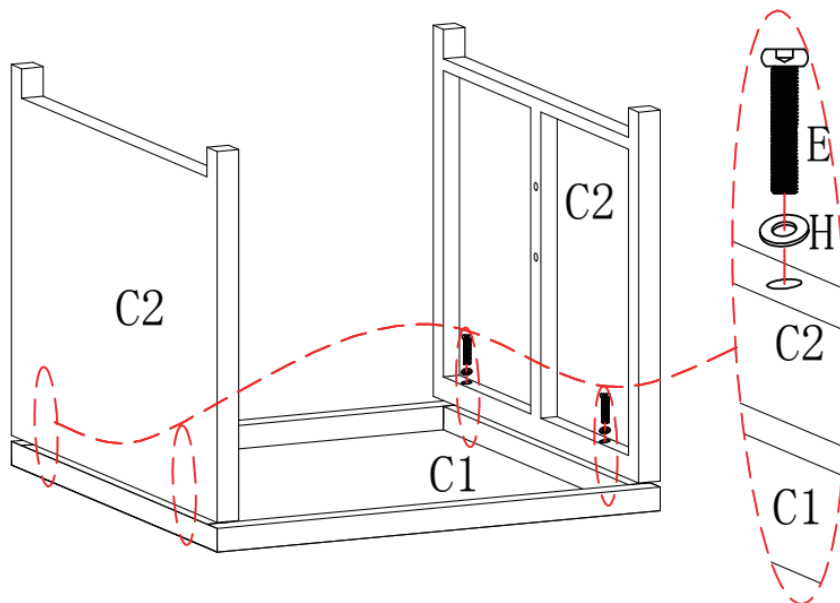
Step 4



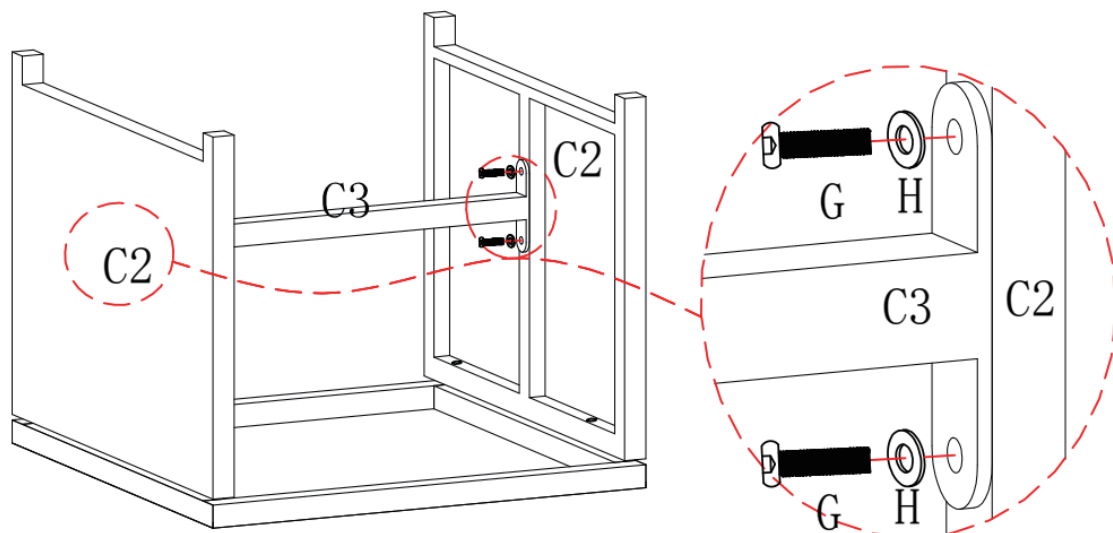
B*4PC

ASSEMBLY STEPS

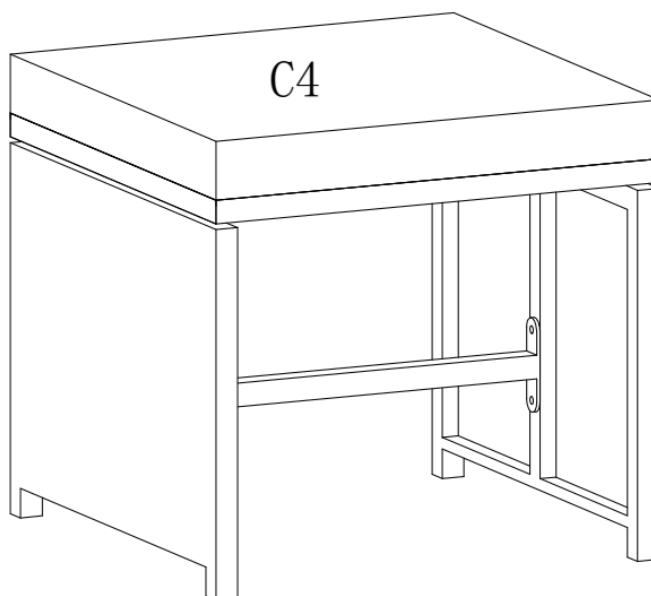
Step 5



Step 6



Step 7



Notice:

1. Remove the sponge from the cushion when washing.
2. Hand wash only. The washing machine and brush harm the fabric.



C*4PC