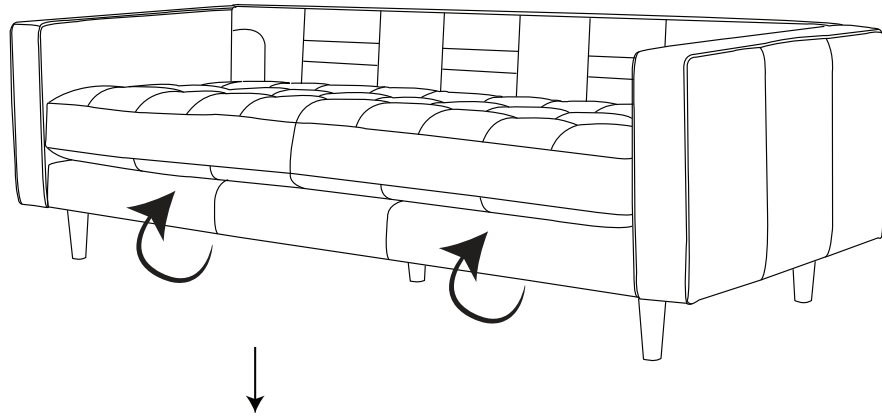
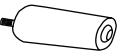





# ASSEMBLY INSTRUCTION



PART AND HARDWARE LIST			
PART NO.	PART PHOTOGRAPH	PART NAME	QUANTITY
1		LEGS	4
2		SUPPORT LEG	1
3		BACK CUSHION	2
4		ARM PILLOW	2

