



## BED WITH MATCHING FOOTBOARD

### ASSEMBLY INSTRUCTIONS


Before assembling your bed, please read through these instructions carefully and familiarize yourself with the different parts.


#### PARTS LIST

- 1 HEADBOARD PANEL 1 PC
- 2 LEFT LEG 1 PC
- 3 RIGHT LEG 1 PC
- 5 FOOTBOARD 1 PC

Instructions apply for bed sizes  
TWIN > FULL > QUEEN > KING

#### HARDWARE

-  (A) Wooden dowel - 4 pcs  
Spare - 1 pc

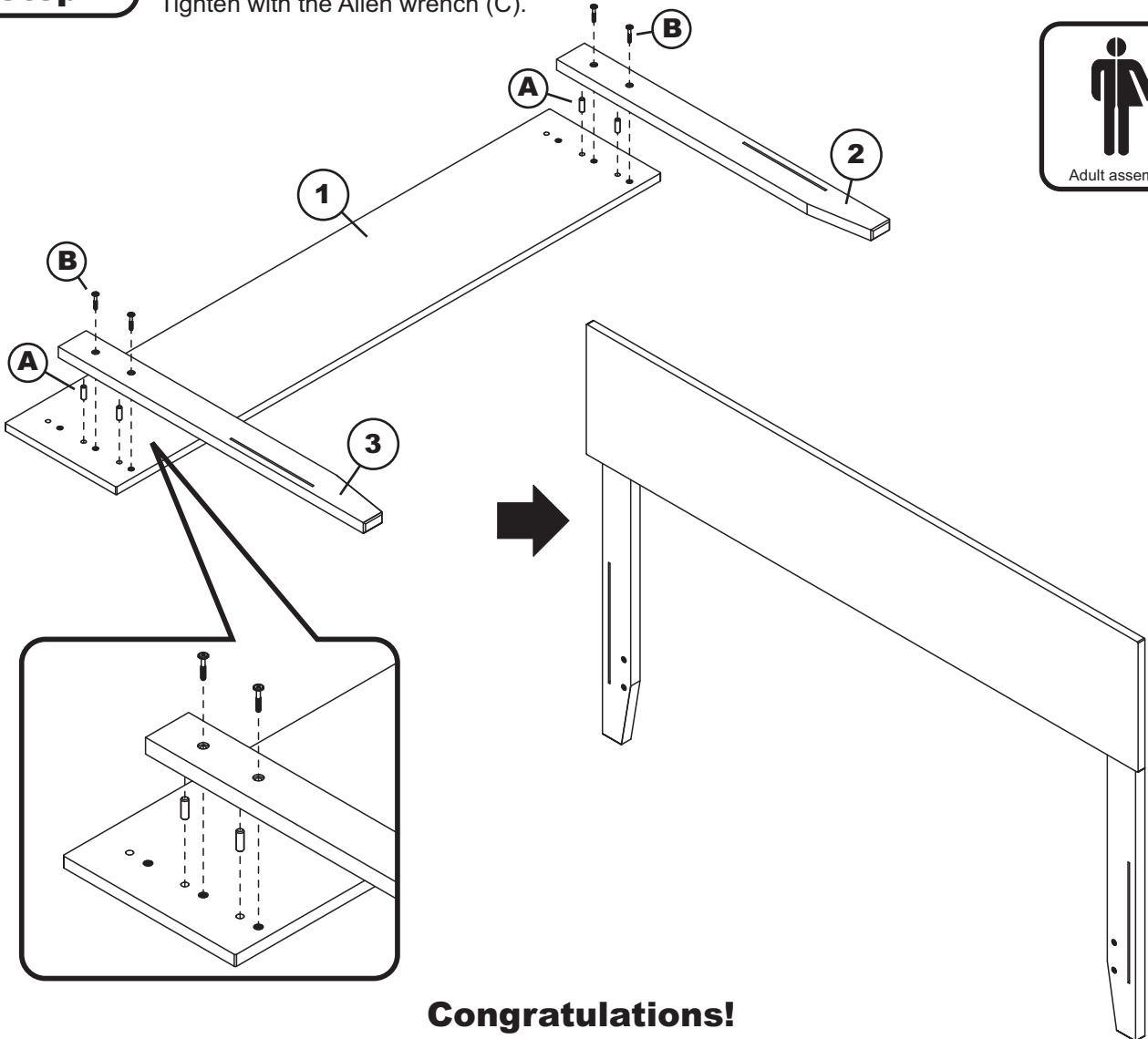
-  (B) JCB M6 X 35mm (1 3/8") - 4 pcs  
Spare - 1 pc

-  (C) Allen wrench - 1pc  
Spare - 1pc

NOTE: WE INCLUDE SPARE HARDWARE IN CASE DAMAGE OCCURS DURING ASSEMBLY.

#### Step 1

Attach the legs (2) and (3) to headboard panel (1), using wooden dowels (A) and JCB (B). Tighten with the Allen wrench (C).



### Congratulations!

Your headboard is now assembled.

To ensure lasting safety, we recommend that you periodically check that all screws are tight and all parts are secure.



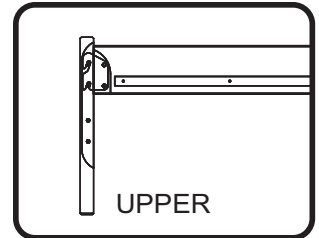
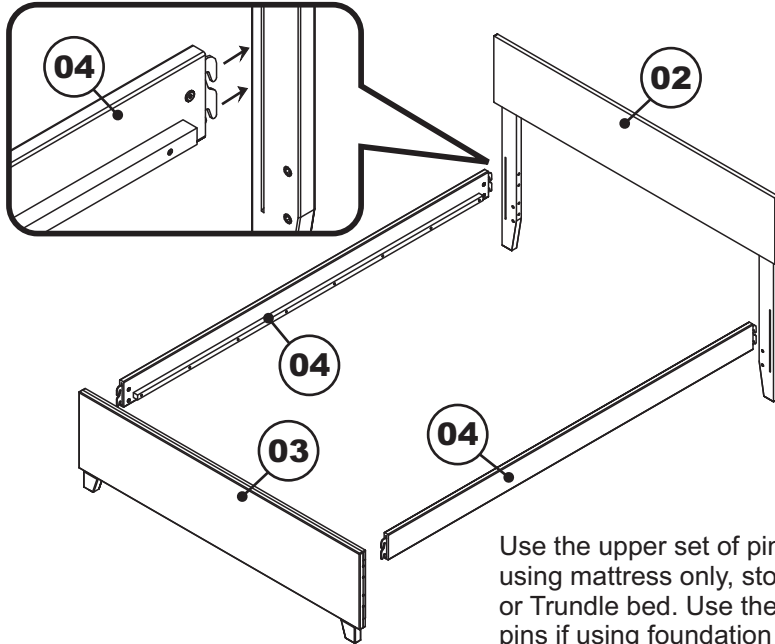
# BED WITH MATCHING FOOTBOARD

- 01 HARDWARE
  - 02 HEADBOARD
  - 03 FOOTBOARD
  - 04 SIDE RAILS
- BOX 1 (connected to 02, 03)  
BOX 2 (connected to 04)

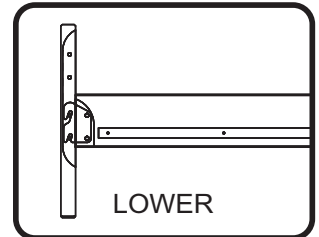


Adult assembly

**Step 1** Attach the side rails (04) to the headboard (02) and footboard (03) using the bed hook as shown below.



UPPER



LOWER

Use the upper set of pins when using mattress only, storage drawers or Trundle bed. Use the lower set of pins if using foundation and mattress.

**Step 2** Lastly, lay slat kit or foundation support board onto the bed. For assembly, follow the assembly instructions included with support system.

PLATFORM BED - TALL HEIGHT



Adult assembly

TRADITIONAL BED - LOW HEIGHT

