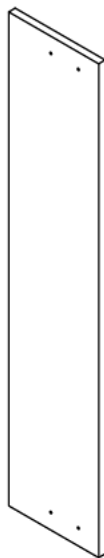




Ax1



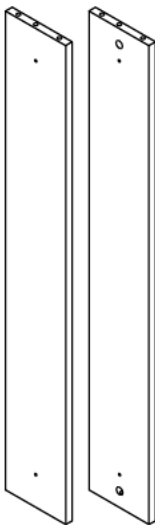
Bx1



Cx1



Dx1



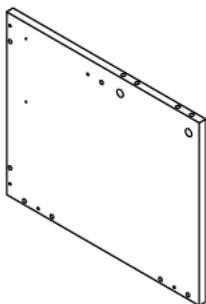
Ex2



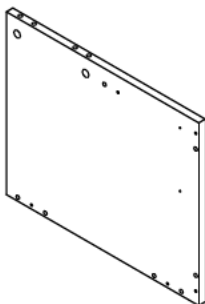
Fx1



Gx1



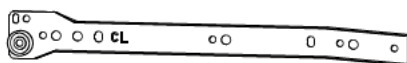
Hx1



lx1



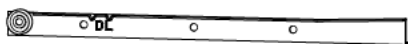
Jx2



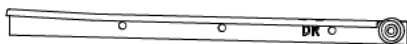
CLx1



CRx1



DLx1



DRx1



Kx18



Lx22



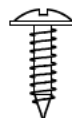
Mx22



Nx12
M3.5x $\frac{12}{0.5}$



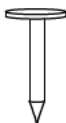
Ox4
M3.5x $\frac{30}{1.2}$



Px5



Qx5



Rx24



Sx2



Tx2



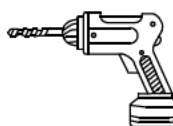
Ux6



Vx6



€\$£

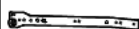


mm
inch

x2

①

CLx1



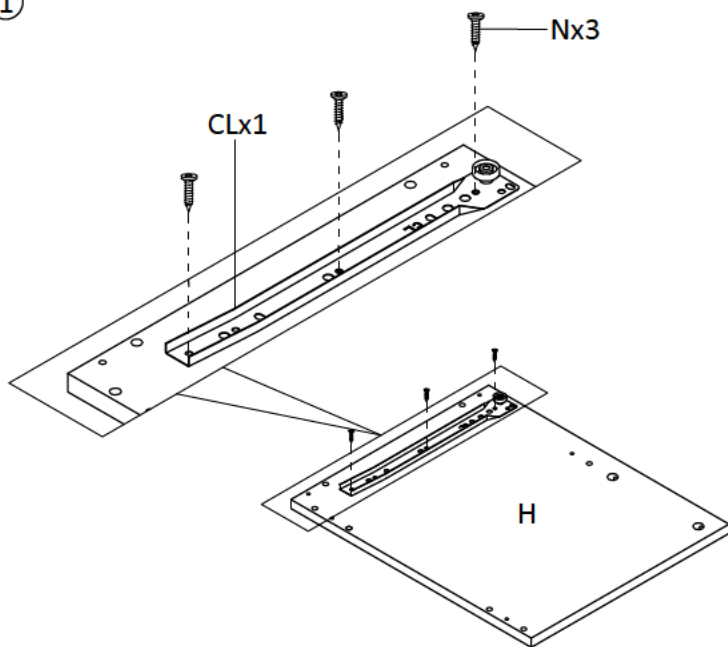
CRx1



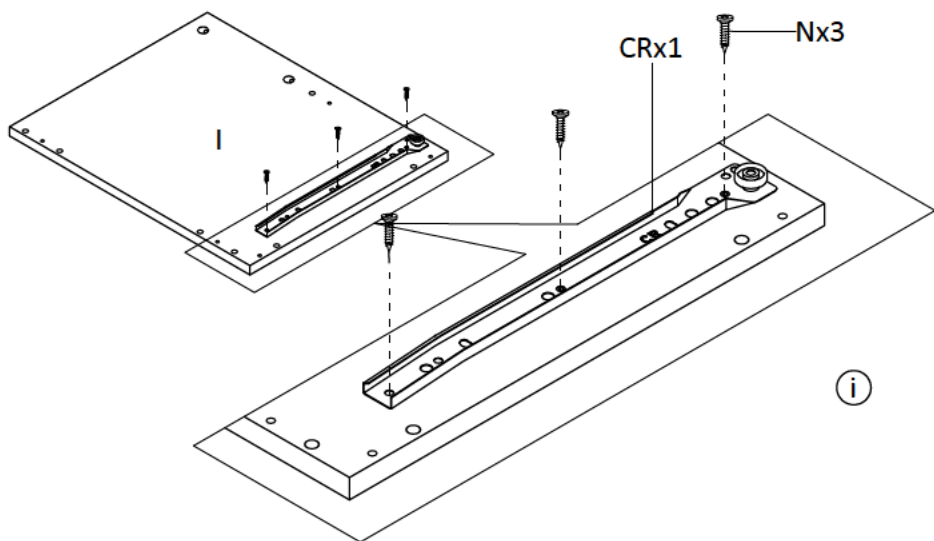
Nx6



M3.5x $\frac{12}{0.5}$



h



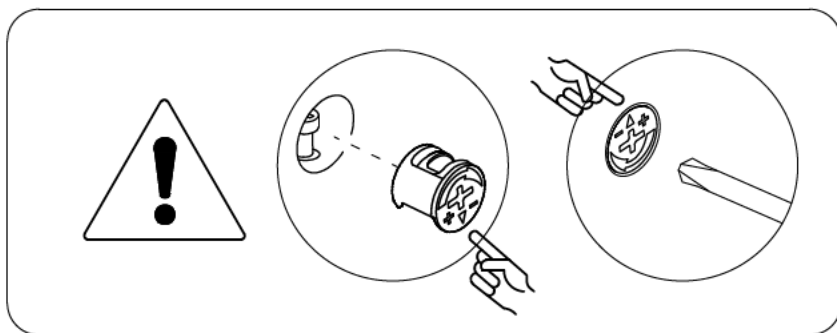
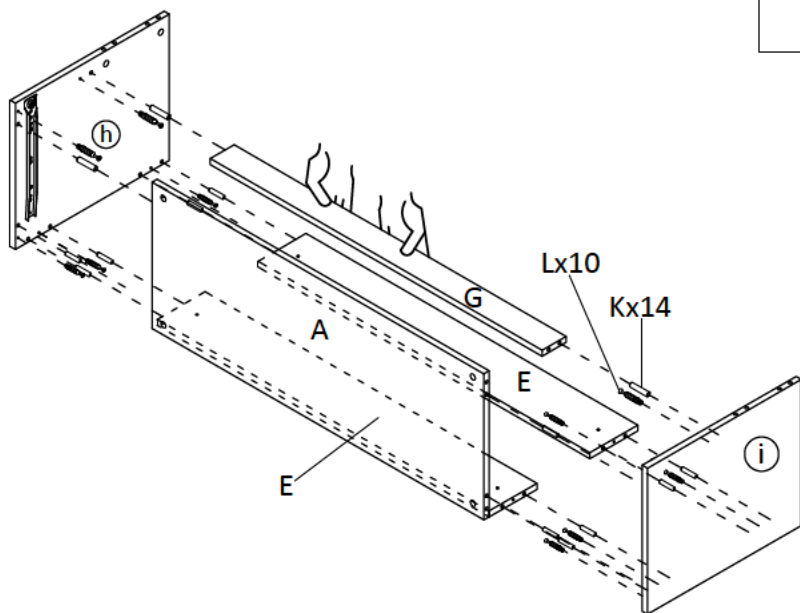
i

②

Lx10

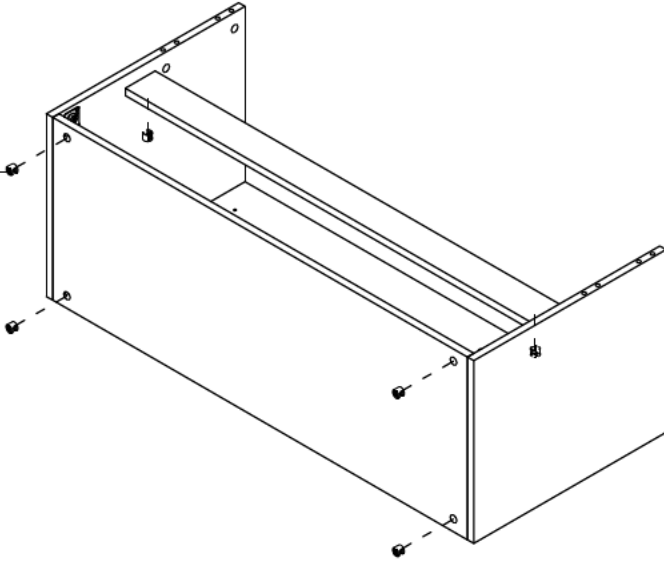


Kx14



3

Mx6



Mx6

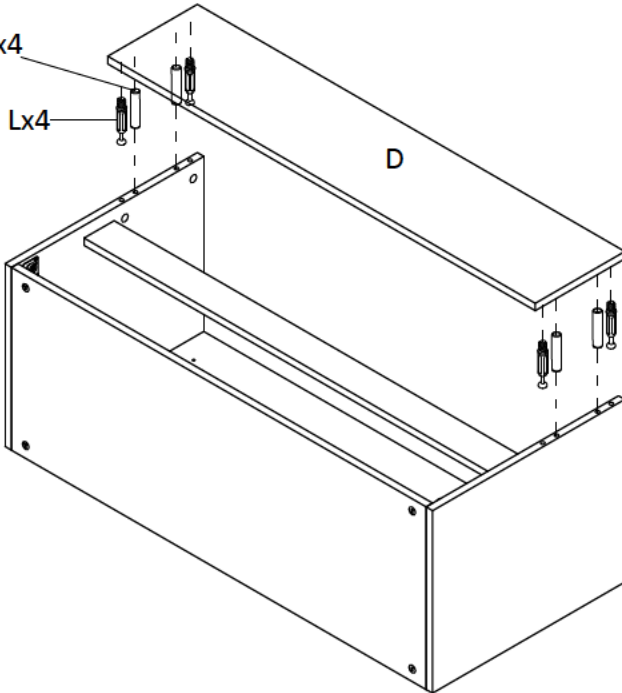


4

Kx4

Lx4

D



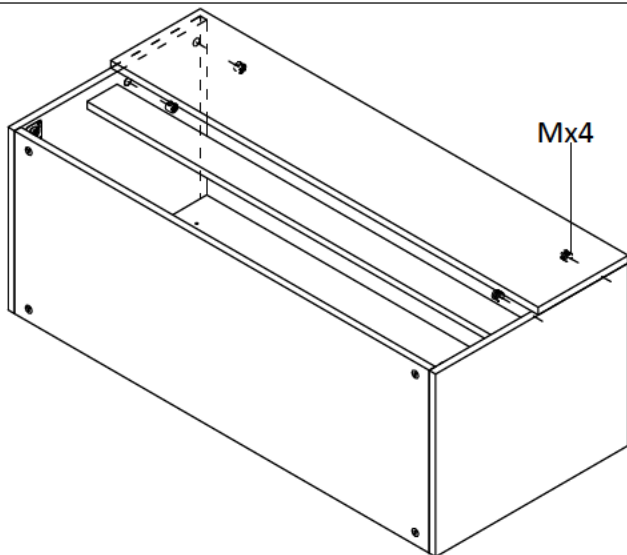
Lx4



Kx4



5

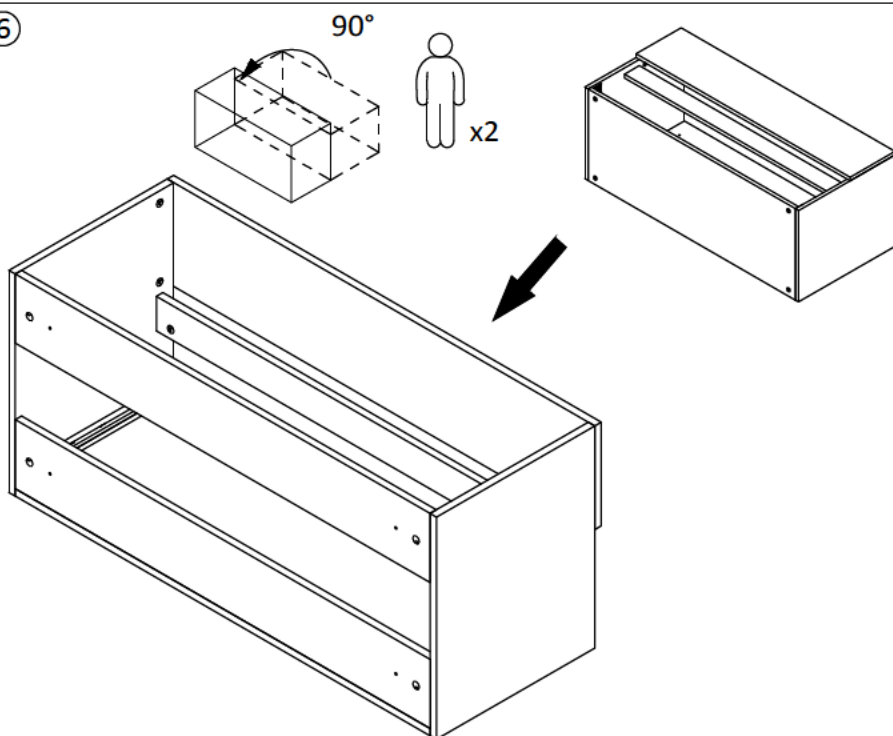


Mx4

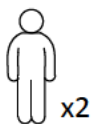


Mx4

6



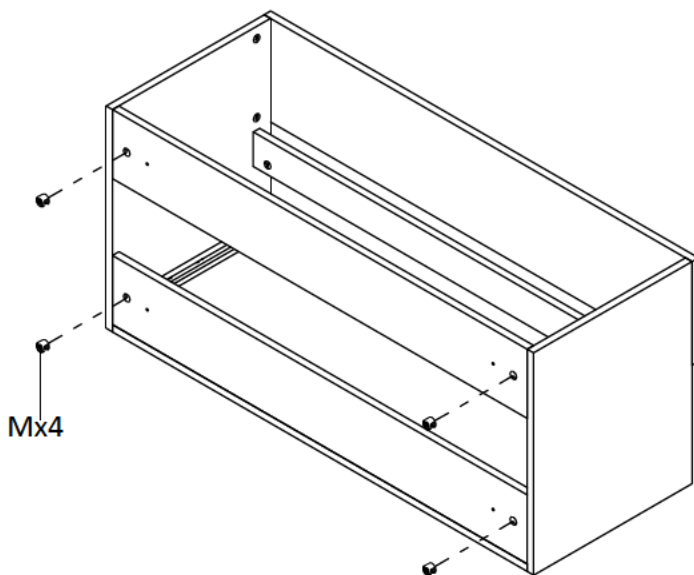
90°



x2

7

Mx4



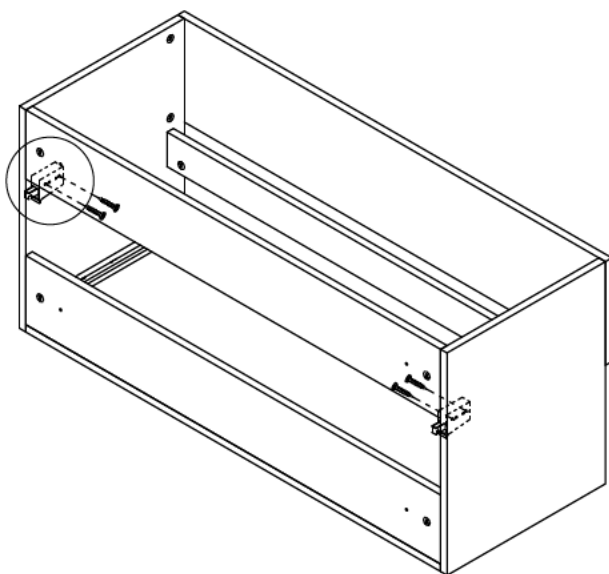
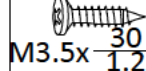
Mx4

8

Sx2

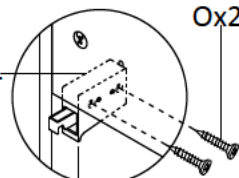


Ox4



Sx1

Ox2

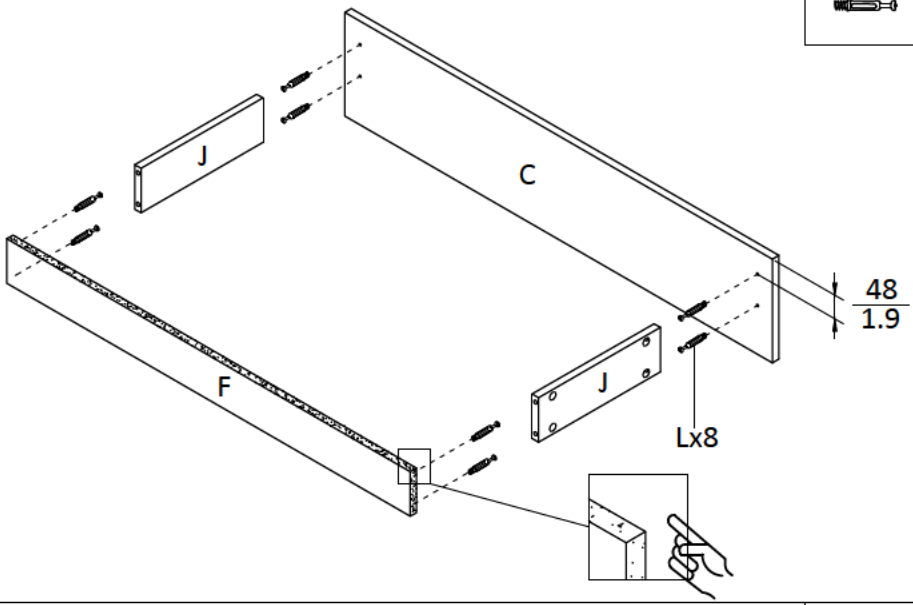


25
1.0

x2

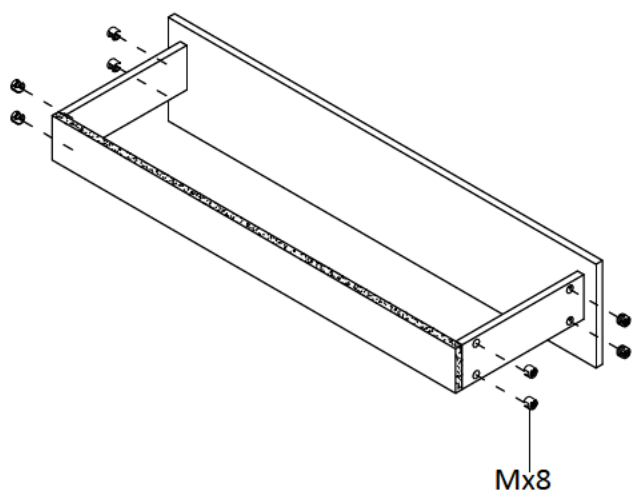
9

Lx8

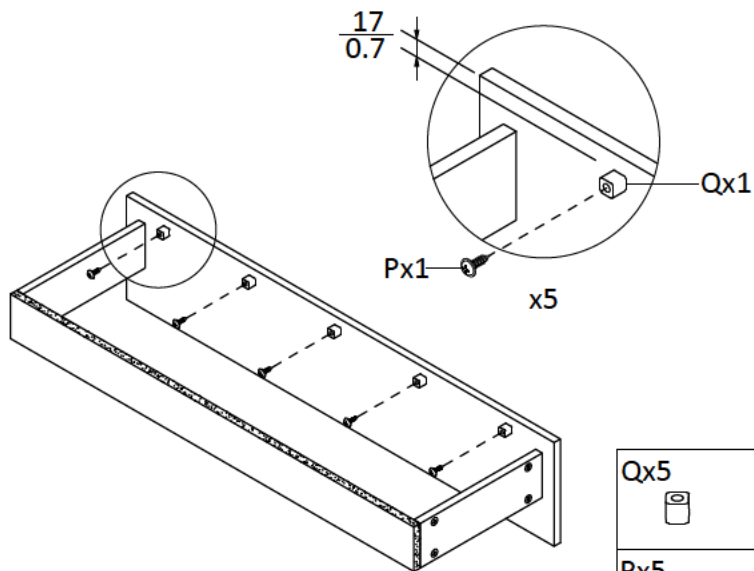


10

Mx8



11



Qx5



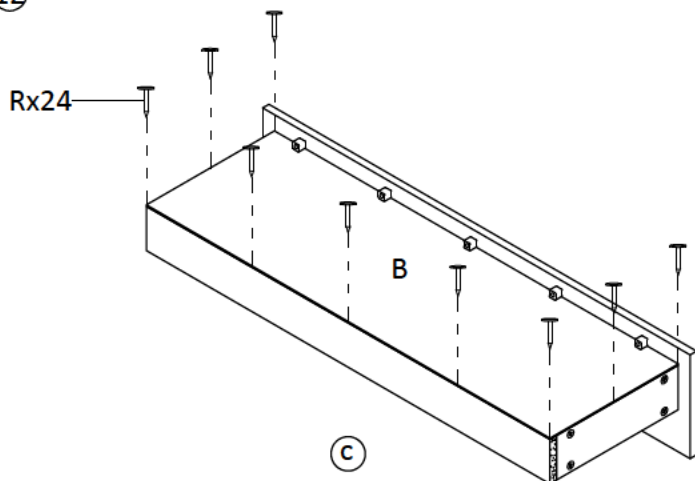
Px5



Rx24



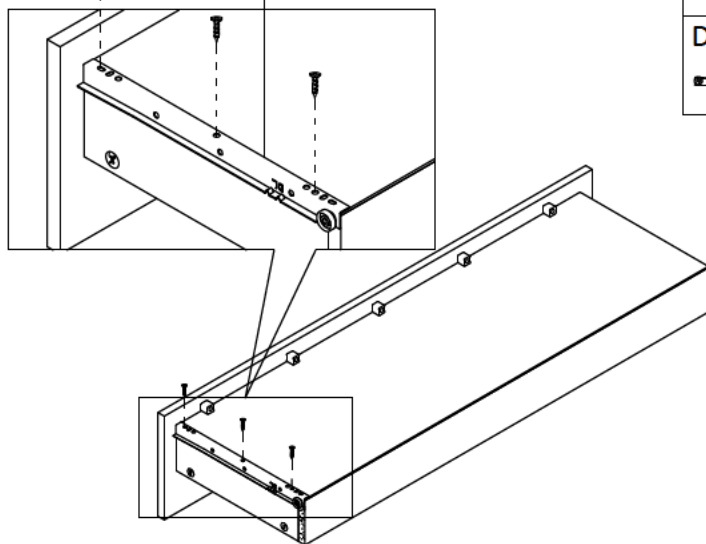
12



13

Nx3

DLx1



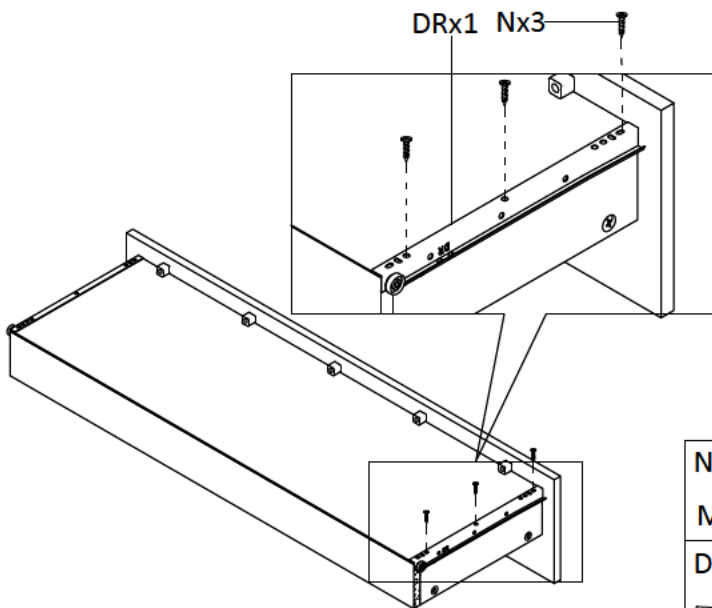
Nx3
M3.5x $\frac{12}{0.5}$

DLx1



14

DRx1 Nx3

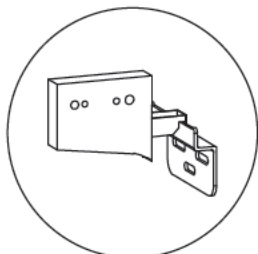
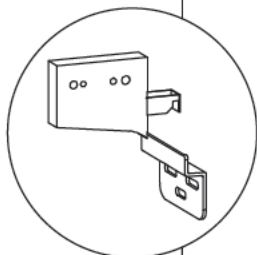





Nx3
M3.5x $\frac{12}{0.5}$

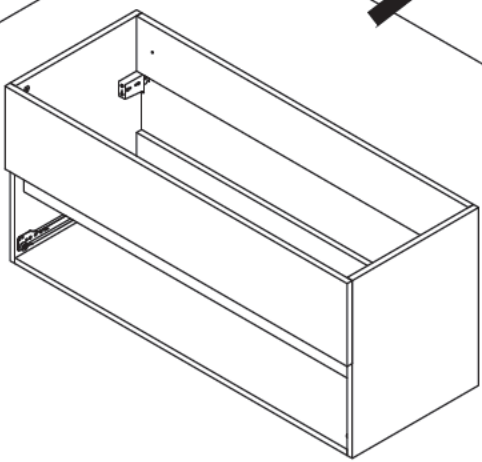
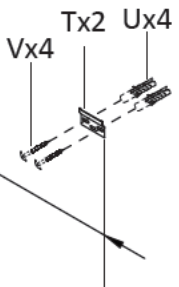
DRx1



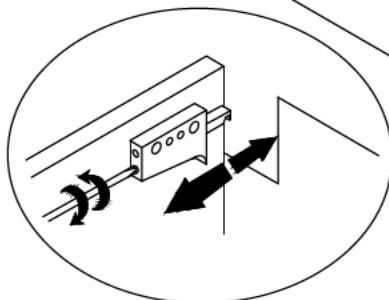
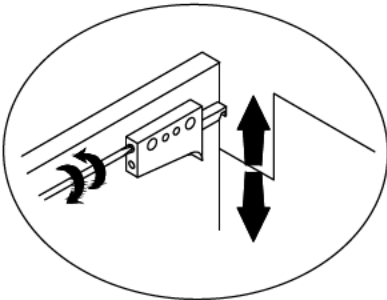
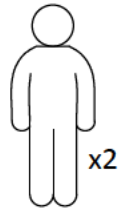
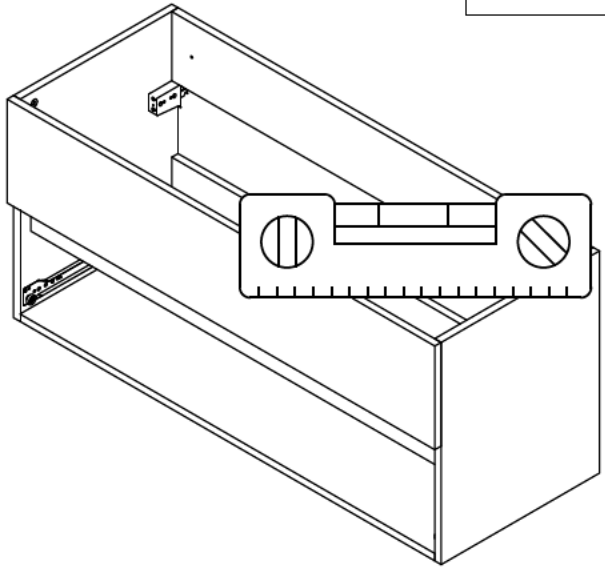
15



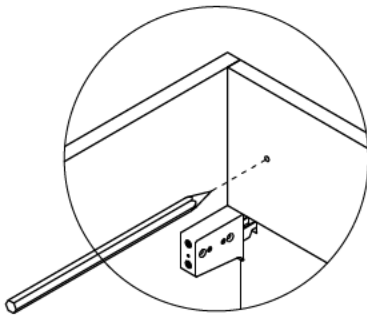
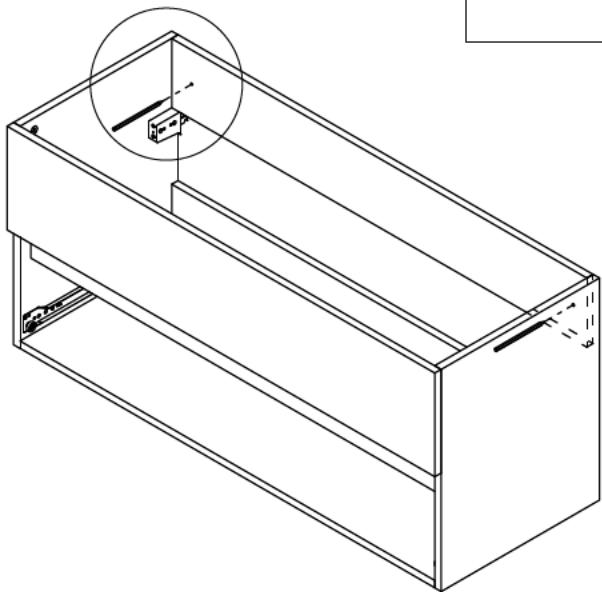
- Tx2 
- Vx4 
- Ux4 



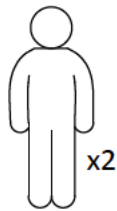
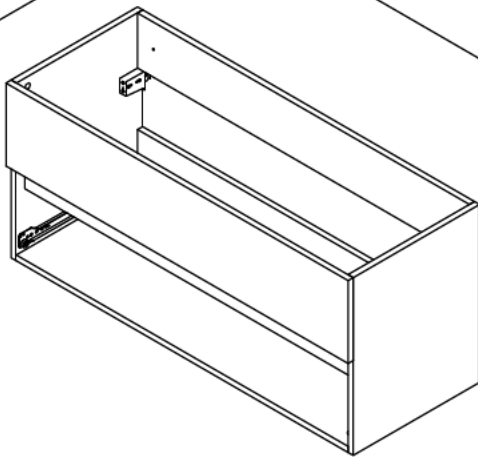
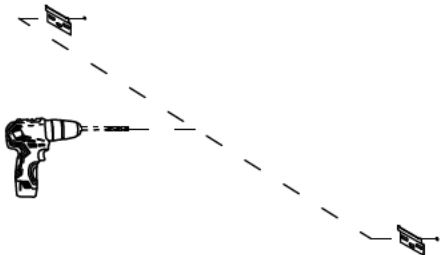
16



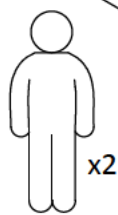
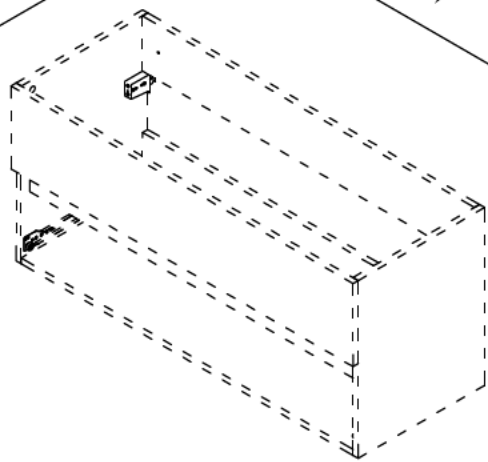
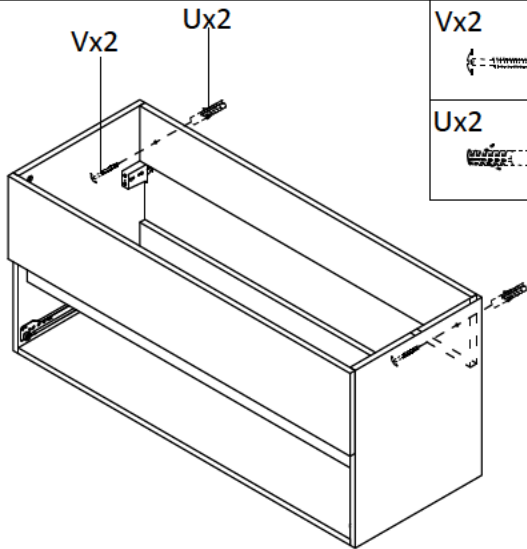
17



18



19



20

