

# Installation & Assembly

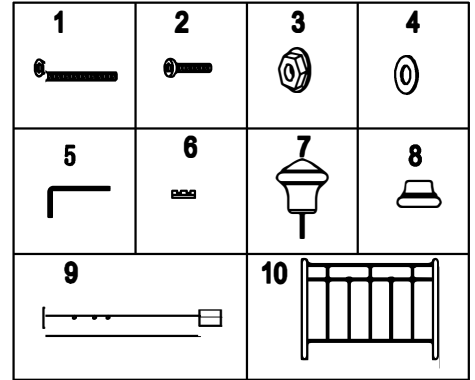
## Parts List

### HEADBOARD CARTON

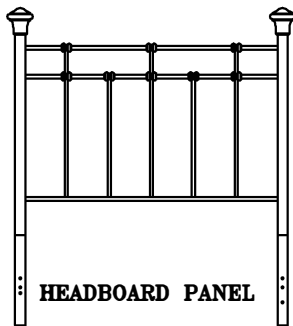
#### (10) HEADBOARD PANEL

#### HARDWARE BAG FOR HEADBOARD ATTACHMENT TO FRAME

- (1) 1/4-20 2 1/4" COUNTER SUNK ALLEN  
HEAD SCREW-4
- (3) 1/4-20 HEX NUT-4
- (4) 5/8" OD FLAT WASHER-4
- (5) ALLEN WRENCH
- (6) PLASTIC GLIDE-2
  
- (7) FINIAL-2
- (9) LEG EXTENSION-2



## PRODUCT FULLY ASSEMBLED



# Instruction Sheet

SAVE ALL PACKAGING MATERIALS UNTIL PRODUCT IS FULLY ASSEMBLED. HARDWARE AND SMALL PIECES MAY NOT BE SEEN AND BE ACCIDENTALLY DISCARDED WITH PACKAGING MATERIALS.

FIGURE 1

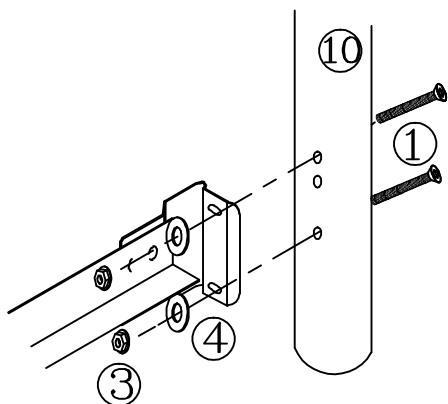
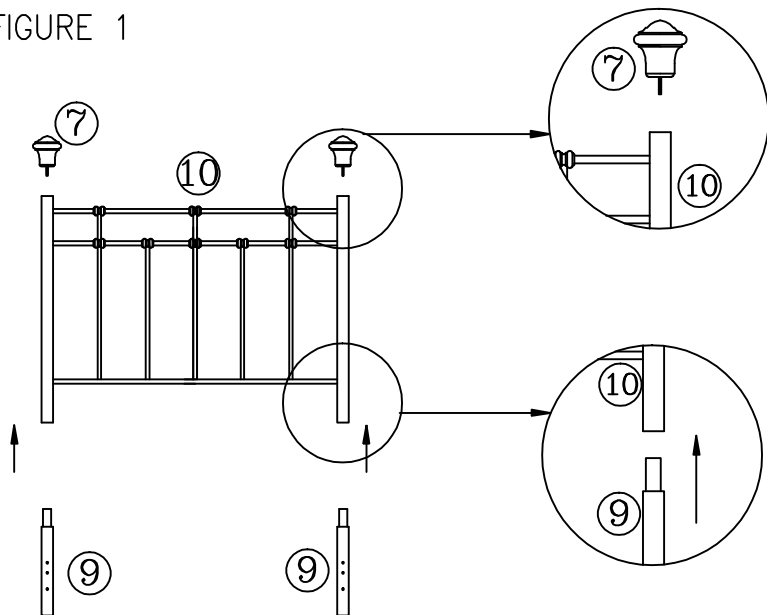


FIGURE 2

## Step 1

- Align top reduction of extension legs (9) with bottom of headboard posts. (See Figure 1) Make sure the 3 holes on extension legs are perpendicular to headboard panel.
- Now carefully insert extension legs (9) into bottom of headboard (10) posts.
- Screw in finials (7) on top of headboard (10) and footboard (11) posts. (See Figure 1)
- Slide foot castings (8) onto bottom of footboard (11) posts. Insert plastic glide (6) into bottom of foot casting.

## Step 2

- Place headboard and frame in desired location in room.
- Place 2 screws (1) through holes located in leg (9). (See Figure 2)
- Align bed frame bracket over screws.
- Place a flat washer (4) and a nut (3) on each screw. Hand-tighten, DO NOT TIGHTEN screws all the way.
- Repeat on other side of headboard.
- Tighten all screws securely using the Allen wrench (5).