












# Assembly Instructions

**Caution : You must read this before you proceed**

## Care & Maintenance




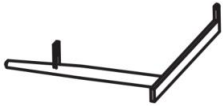

- ⊘  ● Not for commercial use. For residential use only.
  - ✓  ● Furniture may scratch floors. We recommend using furniture pads to protect your floors.
  - ⊘  ● Do not put hot items directly on furniture surface.
  - ⊘  ● Do not clean furniture with harsh cleansers or polish.
  - ⊘  ● Do not place furniture under direct sunlight.
  - ⊘  ● Do not place furniture near heating or cooling vents.
  - ⊘  ● Do not write on furniture without a padded barrier to protect the surface.
  - ⊘  ● Do not place furniture outside . For indoor use only.
  - ⊘  ● Stains may be removed with mild soap solution and damp cloth.
  - ⊘  ● Children should not climb or jump on the furniture.
- ✓  ● Dust and pick-up spills using a clean, non-colored, lint-free cloth.

Please look in CARTON for hardware packs and legs.  
Sets often ship in multiple boxes and may arrive a day or two apart.



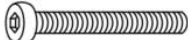




## Accent Chair



### Parts List

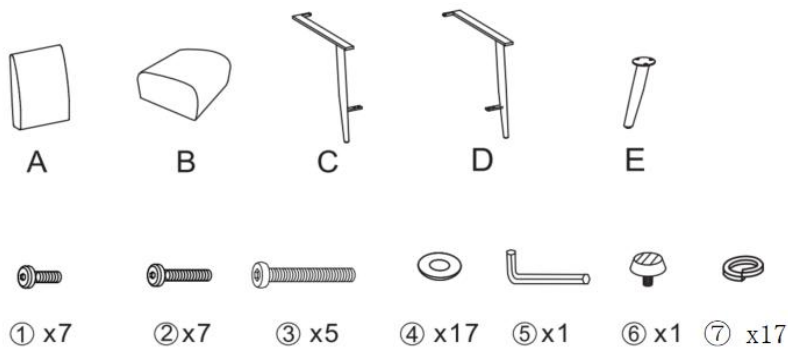
Label	Picture	Description	QTY
A		Back	1
B		Seat Cushion	1
C		Left Leg Frame	1
D		Right Leg Frame	1
E		Leg	2






# Hardware

Label	Picture	Description	QTY
①		Bolt (M6x18mm)	7
②		Bolt (M6x35mm)	7
③		Bolt (M6x50mm)	5
④		Washer (6x16x1.5mm)	17
⑤		Allen Wrench (4mm)	1
⑥		Spare Leveller	1
⑦		Spring Washer (M6)	17

# Assembly Preparation

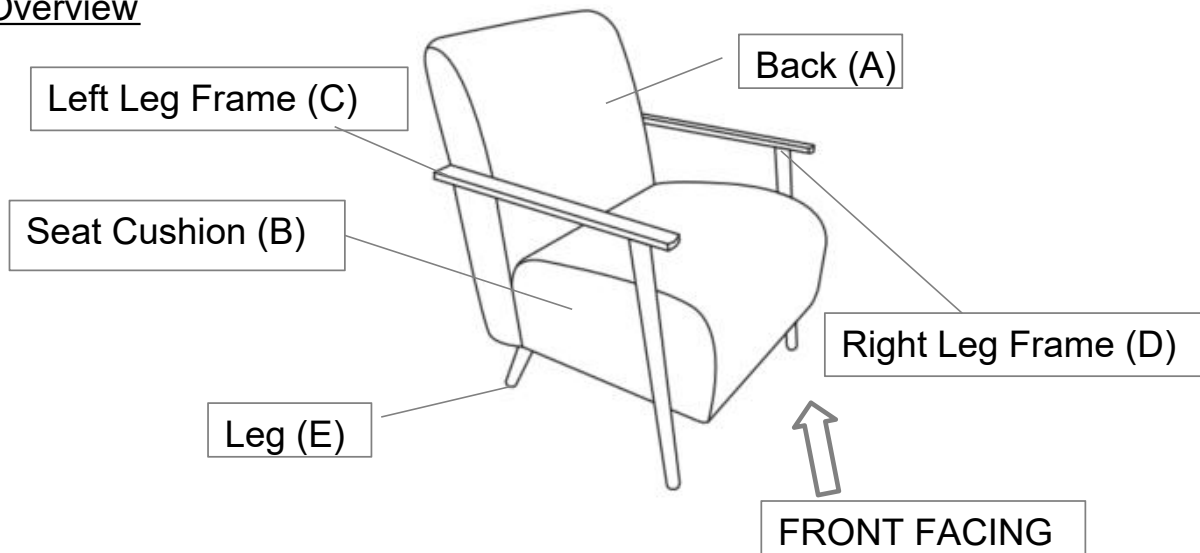
Before Beginning Assembly :



-  • Read instructions, cover to cover-
-  • Have 2 adults on hand for assembly-
-  • Do not assemble on flooring or carpet-
-  • Assemble on a clean non-marring surface (packing foam)-
-  • Save all packaging until finished-

## Assembly Steps

### Overview

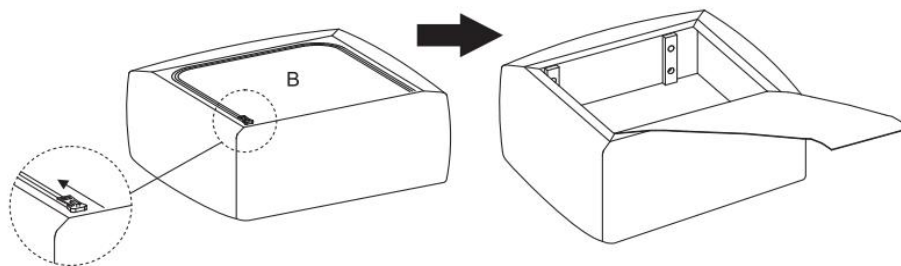


This Accent Chair has multiple parts and may require up to some 30 minutes to assemble.

To give you an overview of the Accent Chair parts, the above picture is to help you put the various parts into perspective.

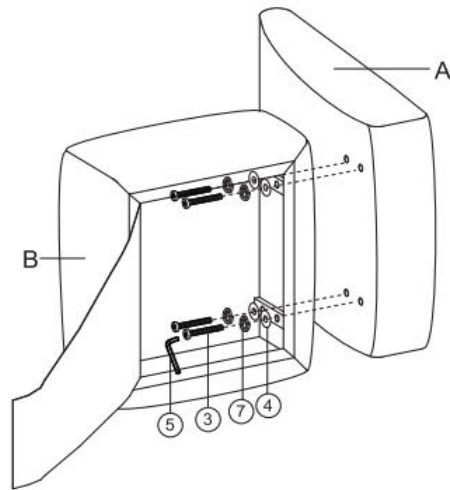
Please read through the instructions below to familiarise yourself with the parts and steps before assembly.

### Step 1



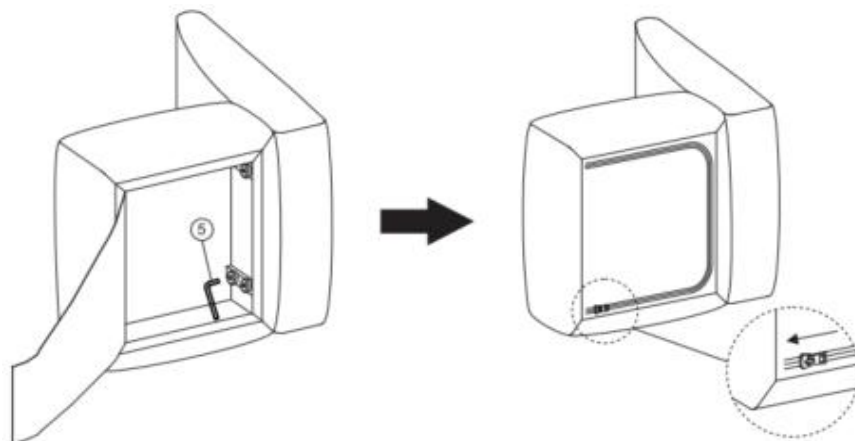
Open the zipper on Seat Cushion (B) as pictured above.

Step 2



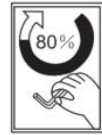
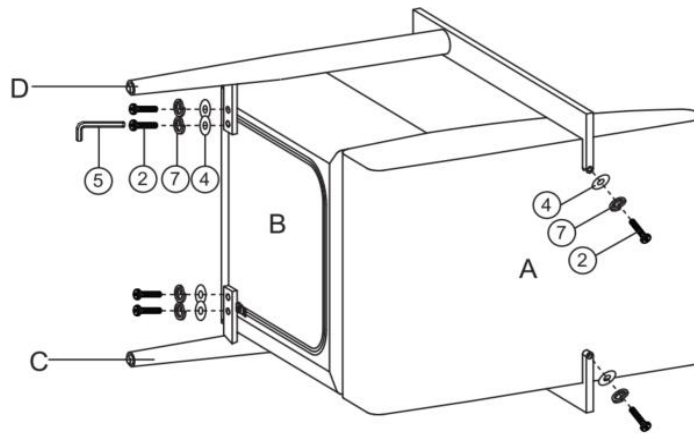
Attach the Seat Cushion (B) to Back (A) using the Washer (④), Spring Washer (⑦), Bolt (③) with Allen Wrench (⑤) as pictured above .  
**Do not fully tighten the Bolts.**

Step 3



Fully tighten the Bolts.  
Close the zipper .

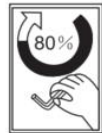
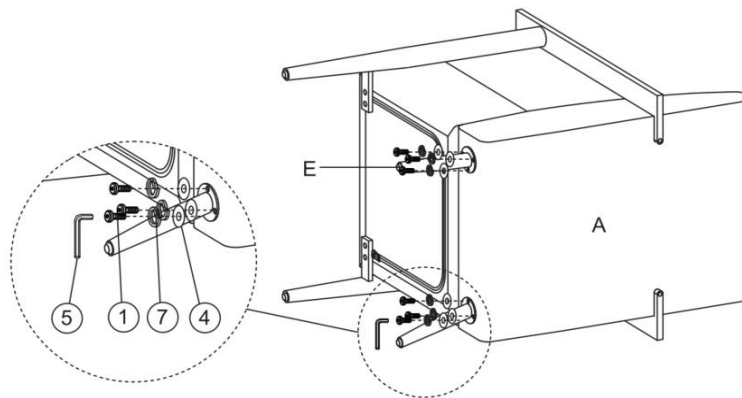
### Step 4



Attach the Left Leg Frame (C) and Right Leg Frame (D) to Back (A) and Seat Cushion (B) using Washer (④), Spring Washer (⑦), Bolt (②) with Allen Wrench (⑤) as picture above.

**Do not fully tighten the Bolts.**

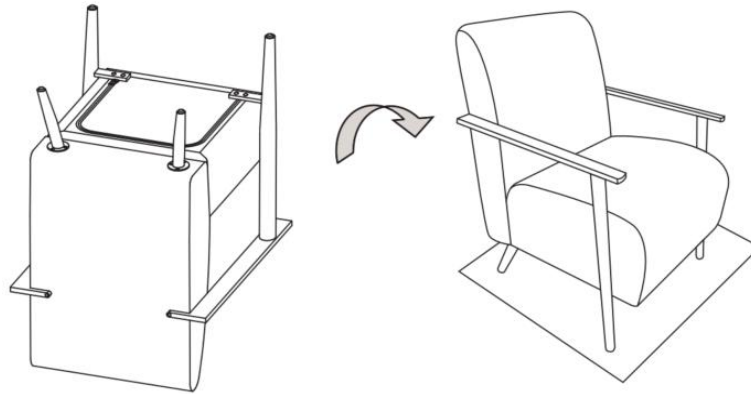
### Step 5



Attach the Leg (E) to Back (A) using Washer (④), Spring Washer (⑦), Bolt (①) with Allen Wrench (⑤) as pictured above .

**Do not fully tighten the Bolts.**

Step 6



Stand the chair right side up.

After checking the chair, if no problem, pls fully and securely, tighten all bolts, at all joints.

Your Chair is ready for use .

**Caution: This Chair can only be used on a flat, level surface.**