





# ASSEMBLY INSTRUCTIONS

## MODEL : NAOMI TABLE

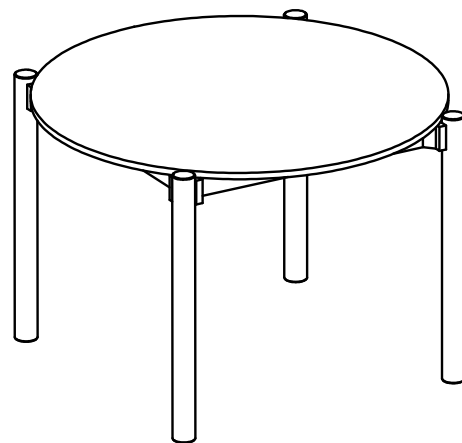
Before you begin, please follow assembly instructions carefully, then follow them step by step.

### HARDWARE

A	M8x90MM JCBB BOLT		8 PCS
B	SPRING WASHER 5/16		8 PCS
C	FLAT WASHER 5/16		8 PCS
D	ALLEN KEY M5		1 PC

### PART LIST

1	TOP PANEL	1 PC
2	TABLE LEG	4 PCS



### STEP 1

