

Mobile Bookcase Assembly Instructions

Read all instructions and review illustrations before assembly.

Before you begin:

Open, identify, and count all parts prior to assembly. Two people are required to safely assemble.

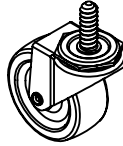
Components and Hardware:



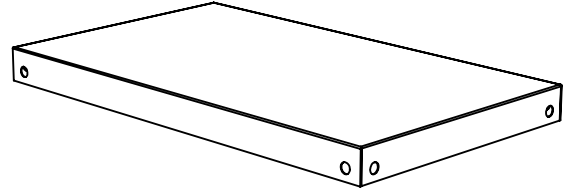
(40) Hex Screws



(40) Hex Nuts



(2) Wheels



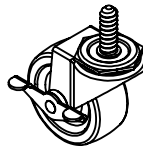
(5) Shelves



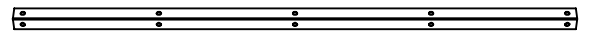
(4) Large Spring Washers



(40) Small Spring Washers



(2) Locking Wheels



(4) Leg Supports



(1) Allen Key



(1) Wrench

Attach Shelves to Leg Supports:

1. Position (2) Leg Supports and a Shelf onto a flat surface as shown in **Figure 1**.
2. To attach Shelf to Leg Supports insert Hex Screws through the screw holes for both the Leg and Shelf, and hand tighten a Nut and Small Spring Washer onto each Hex Screw.
3. Tighten the Nuts onto the Hex Screws using the supplied Wrench and Allen Key. **Figure 2**
4. Repeat steps 2 through 3 to attach the remaining Shelves.

Figure 1

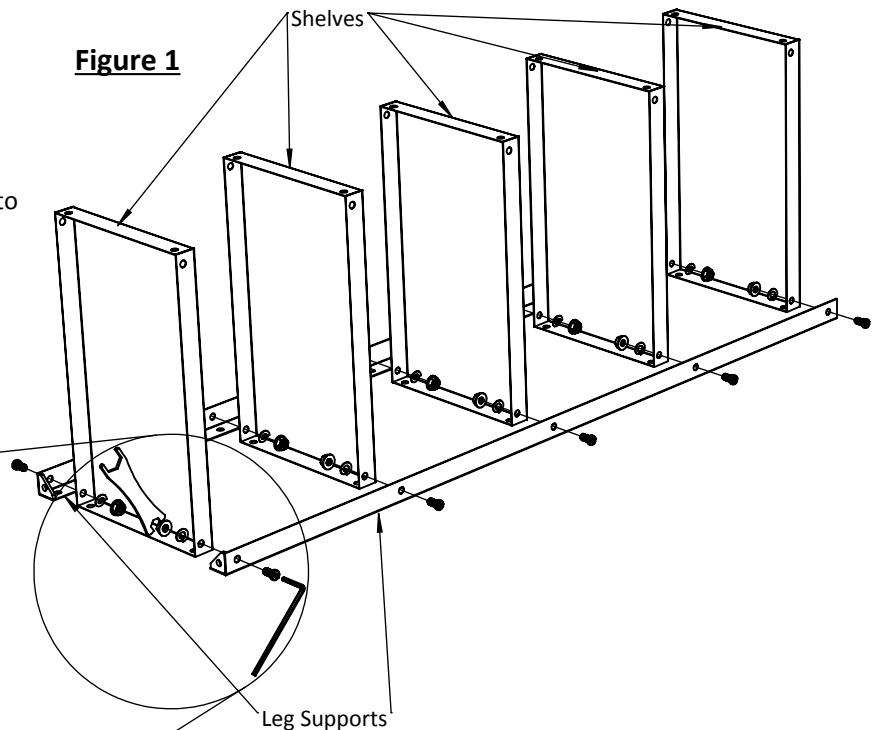
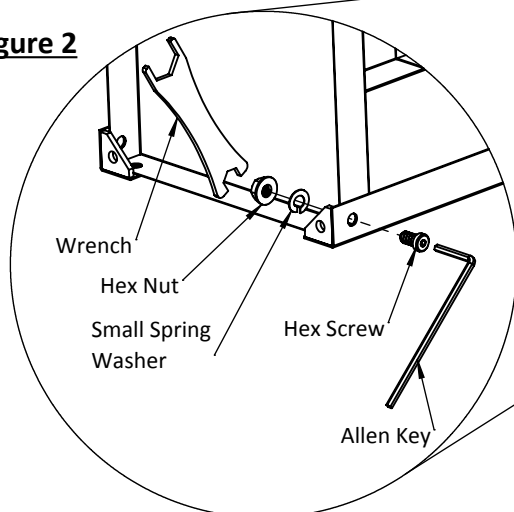


Figure 2



Attach Shelves to Leg Supports (cont.):

5. Position the remaining Leg Supports on top of the Shelves. **Figure 3**
6. Insert a Hex Screw through the screw hole for both the Leg Supports and Shelf, and hand tighten a Nut and Small Spring Washer onto each Hex Screw.
7. Tighten the Nuts onto the Hex Screws using the supplied Wrench and Allen Key.
8. Repeat steps 6 and 7 to attach the remaining Shelves.
9. Rotate the unit and repeat Steps 6 and 7 to install the remaining Hex Screws into the unit.

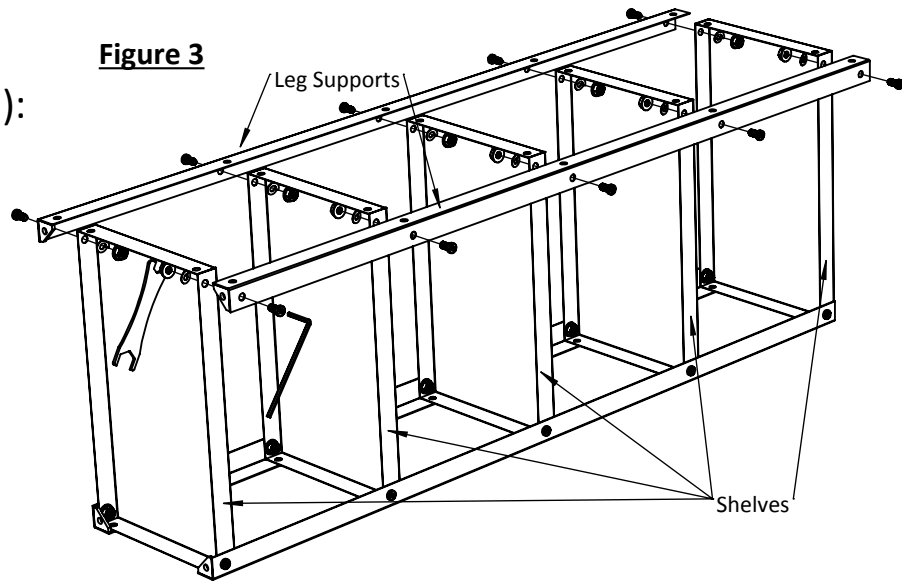


Figure 4

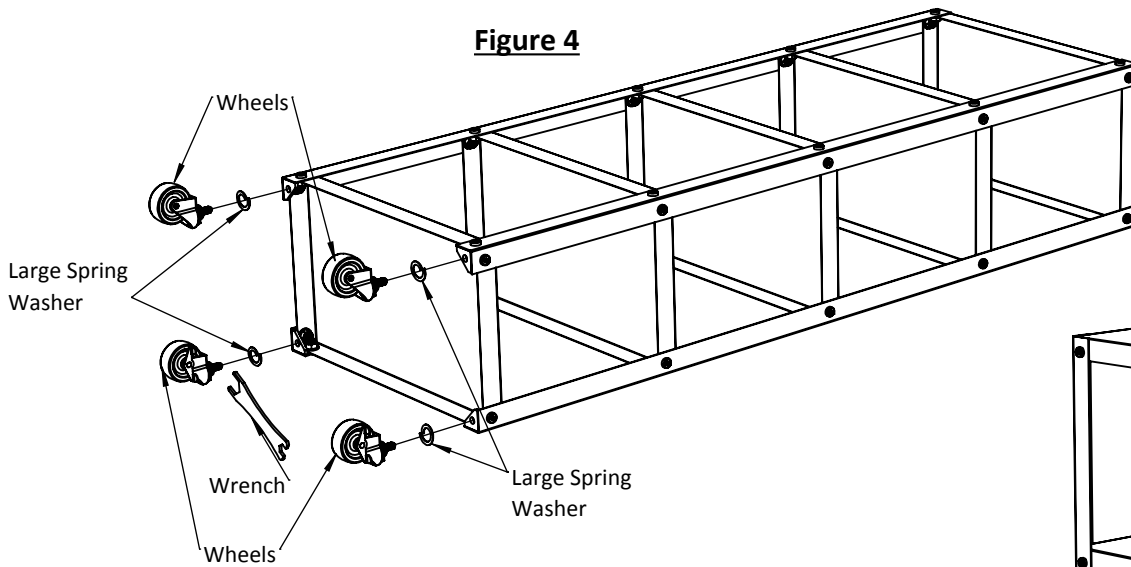
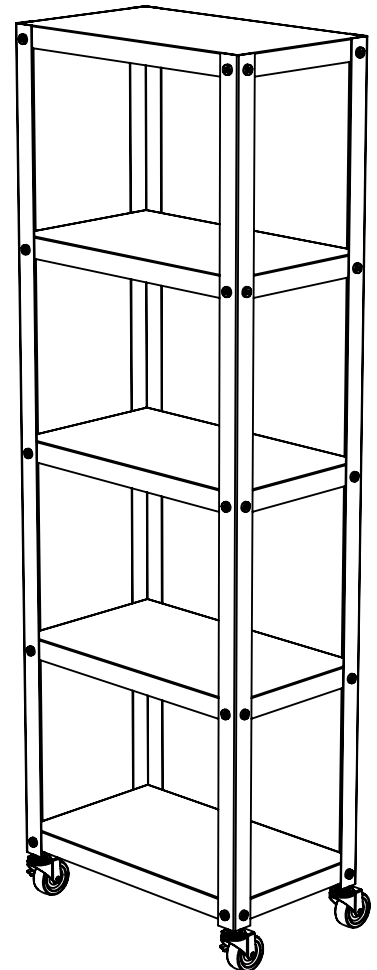


Figure 5



Attach Wheels:

10. Attach a Wheel and a Large Spring Washer to the bottom of the Leg Support. **Figure 4**
11. Using the provided wrench, rotate the Wheel clockwise until tight.
12. Repeat steps 10 and 11 to attach the remaining Wheels.
13. Carefully place bookcase upright. **Figure 5**