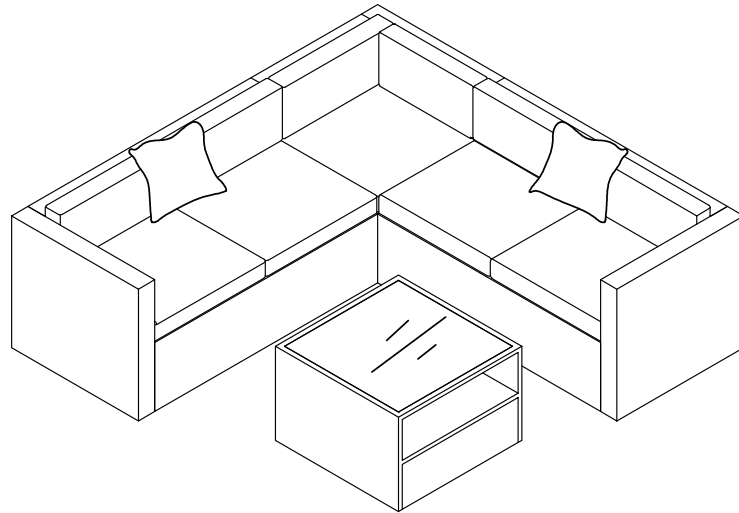


4 Piece Sectional Set with Coffee Table



Thank You for Choosing us!

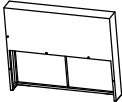

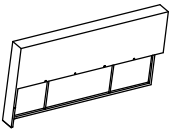
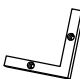
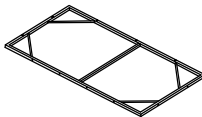



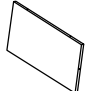





Our goal is to provide high quality outdoor furniture with outstanding customer service-all at an affordable price.

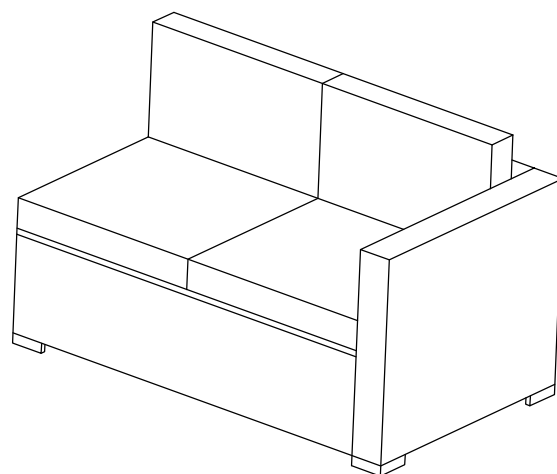
Please let us know how we are doing!

Problems?

We will fix it immediately.

Left Sofa Section

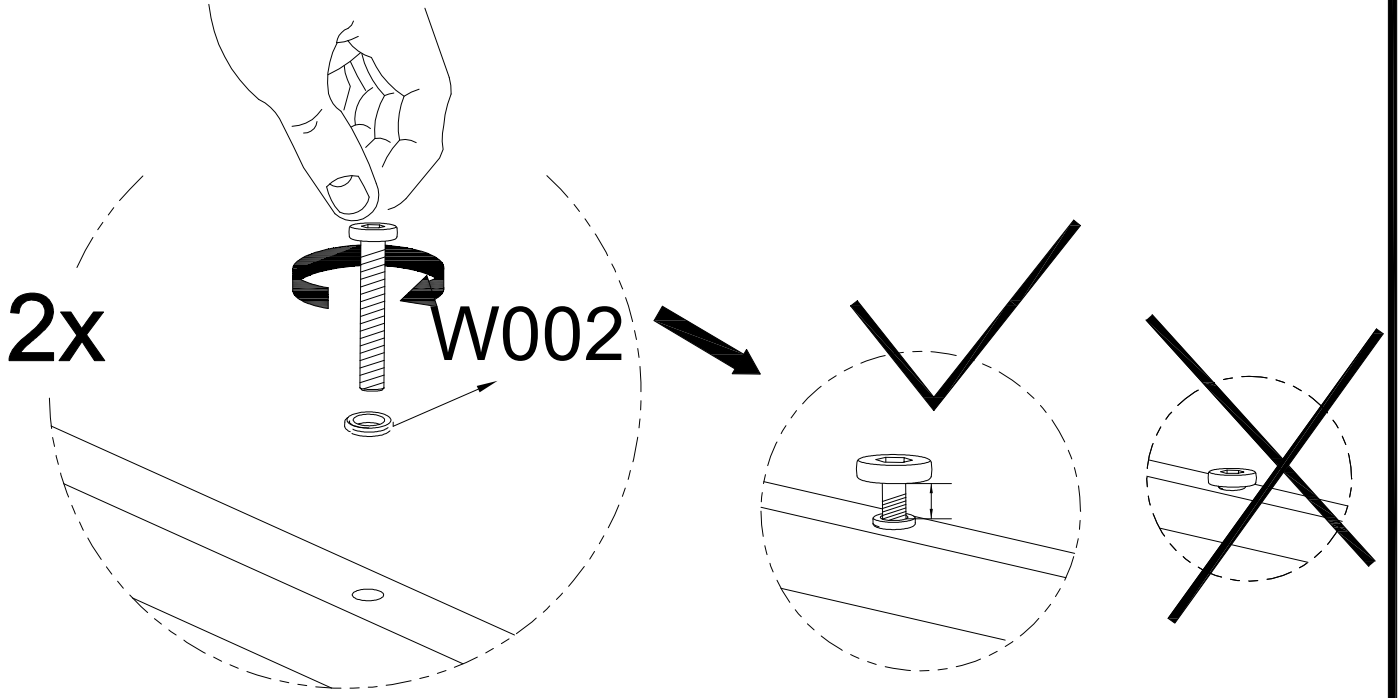
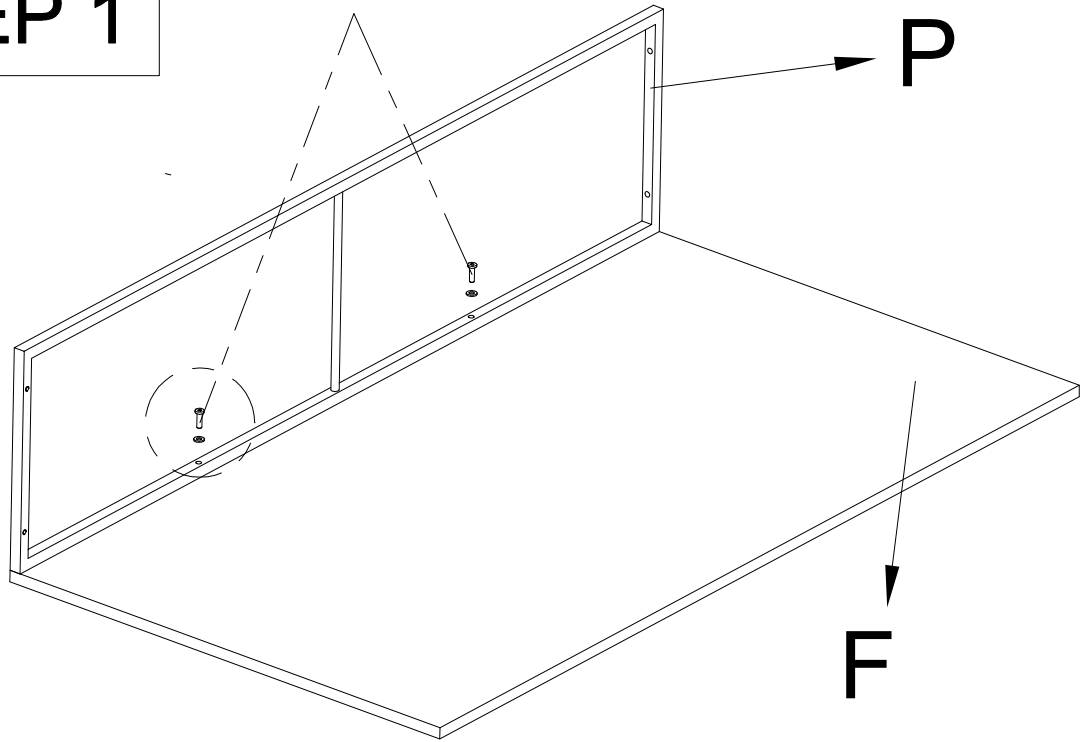
Item no.	Reference Image	Description	Qty	Item no.	Reference Image	Description	Qty
B		Left Arm Rest	1	R		Foot Pad	1
D		Left Seat Back	1	S		L-Shaped Foot Pad	3
F		Left Seat Base	1	S002		M6x25 Hex Socket Head Screw	8
P		Left Front Panel	1	S001		M6x15 Hex Socket Head Screw	2
K		Side Panel	1	W001		Flat Washer	1
S003		M6x35 Hex Socket Head Screw	10				
S004		M6x40 Hex Socket Head Screw	6				
W002		Flat Washer	16				
T001		S4 Allen Key	1				



Left Sofa Section

STEP 1

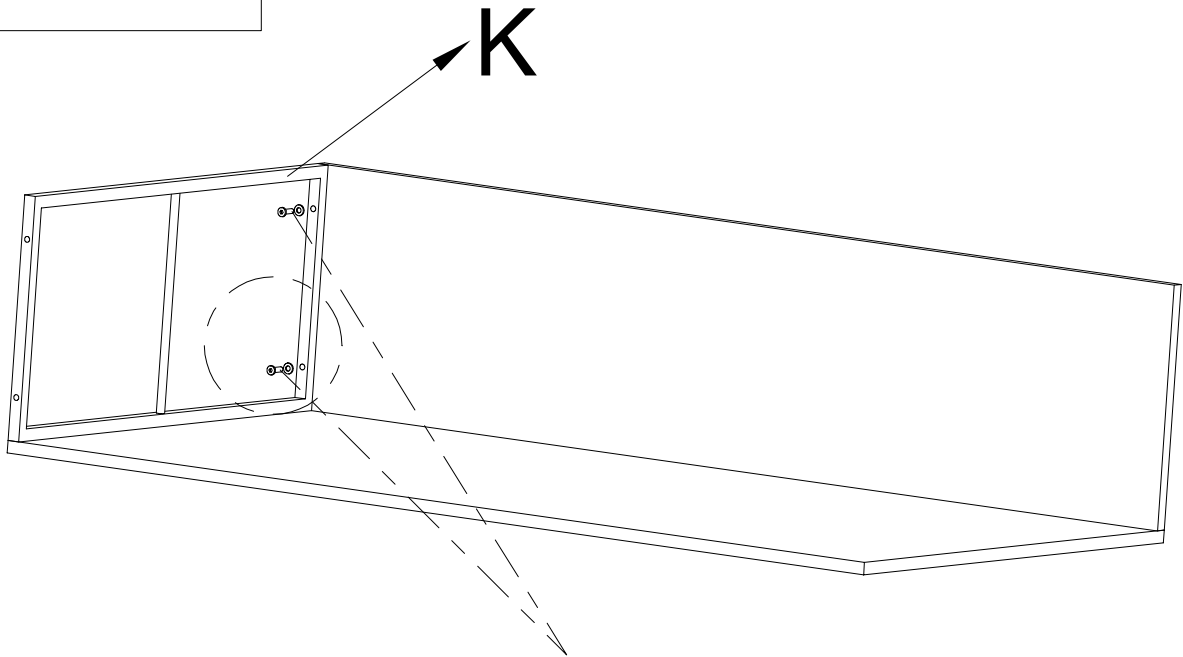
S003



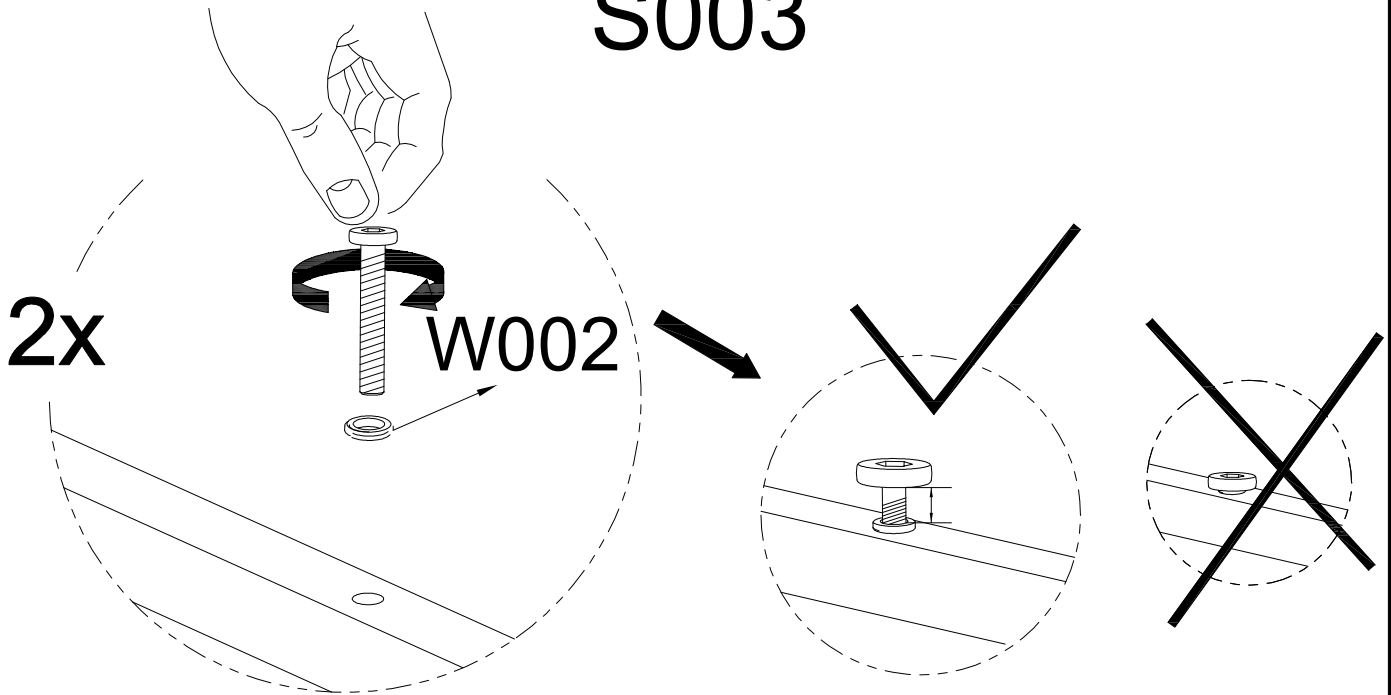
Do Not Tighten The Screws Completely!

Left Sofa Section

STEP 2



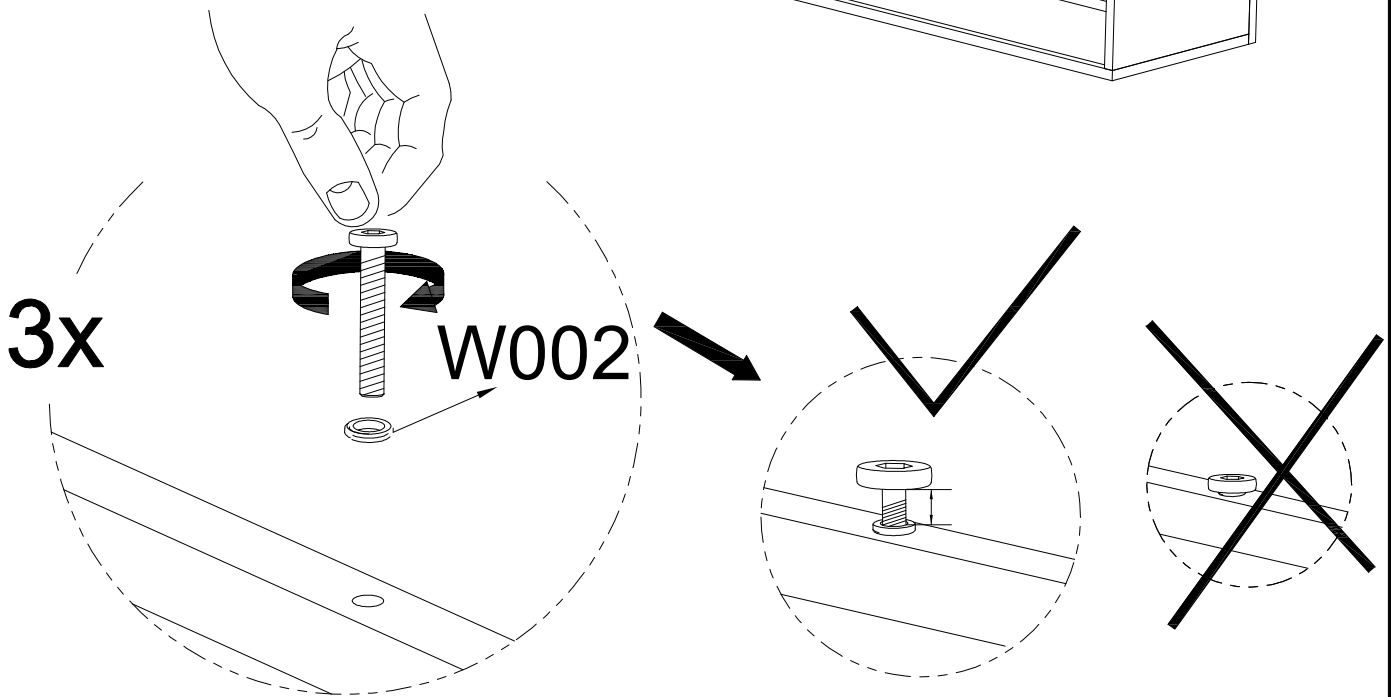
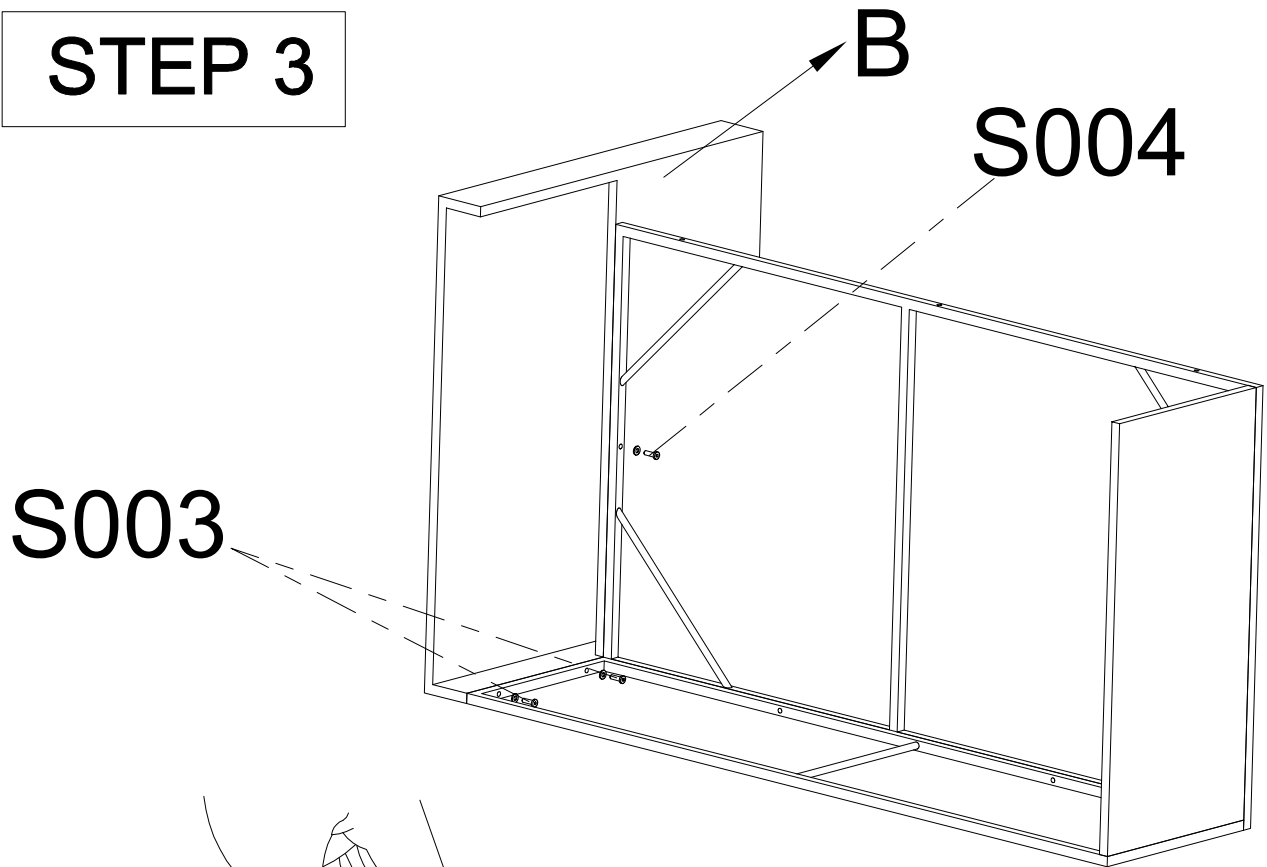
S003



Do Not Tighten The Screws Completely!

Left Sofa Section

STEP 3



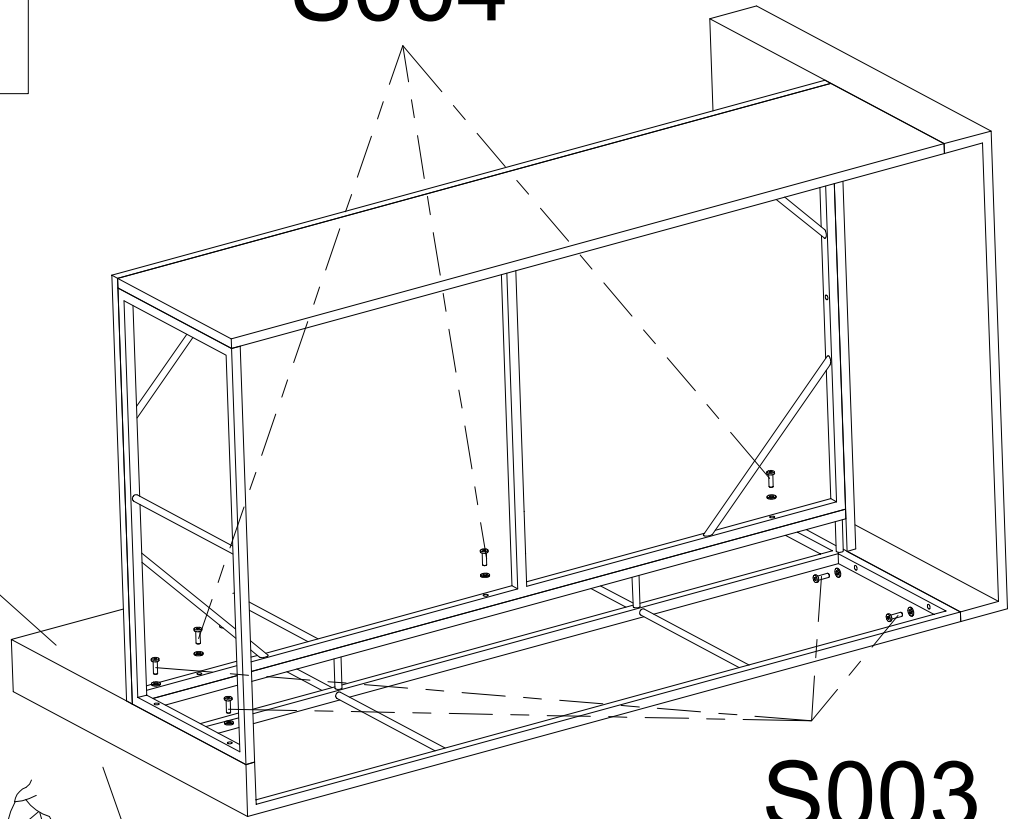
Do Not Tighten The Screws Completely!

Left Sofa Section

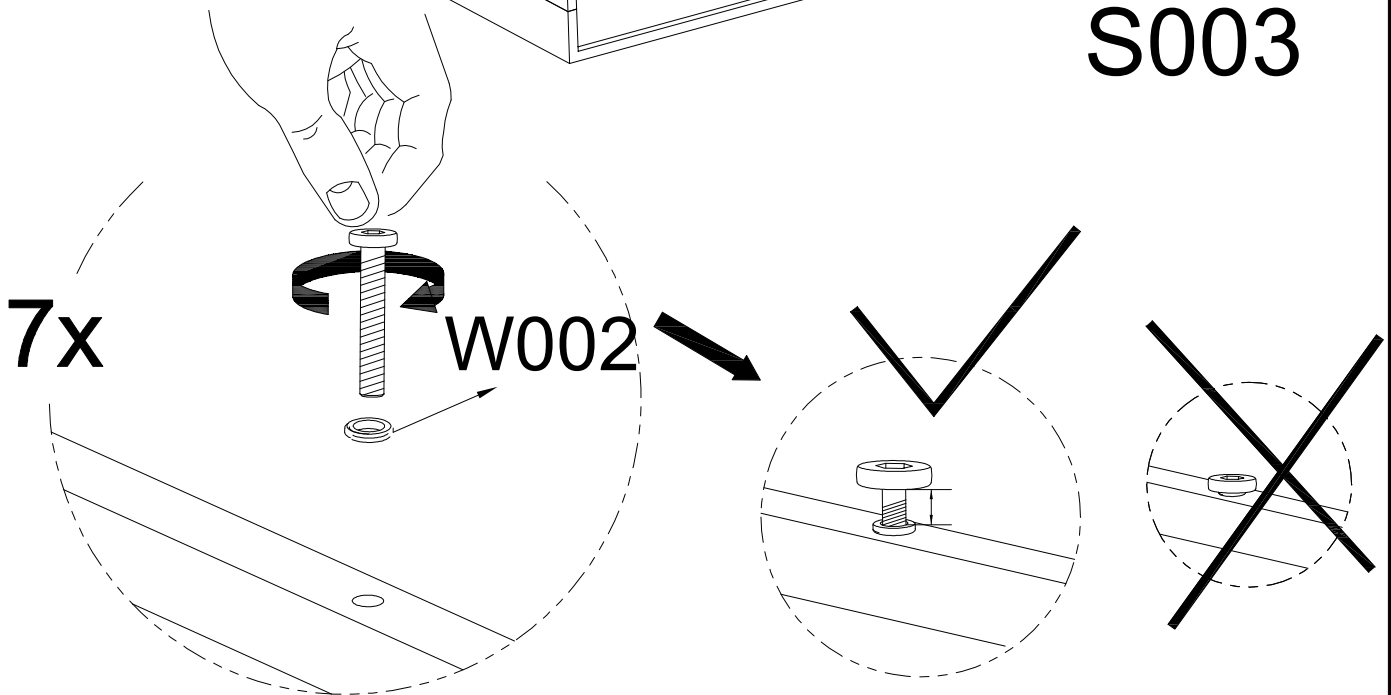
STEP 4

S004

D



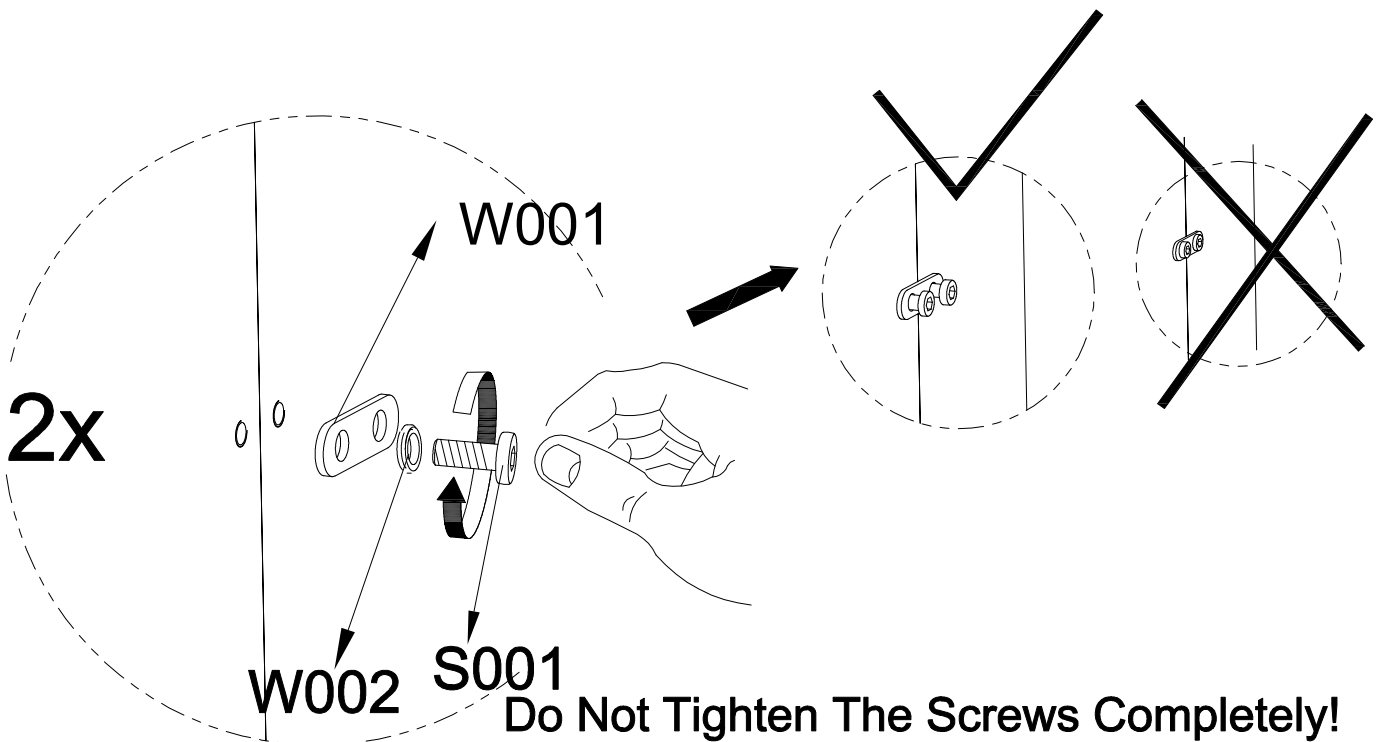
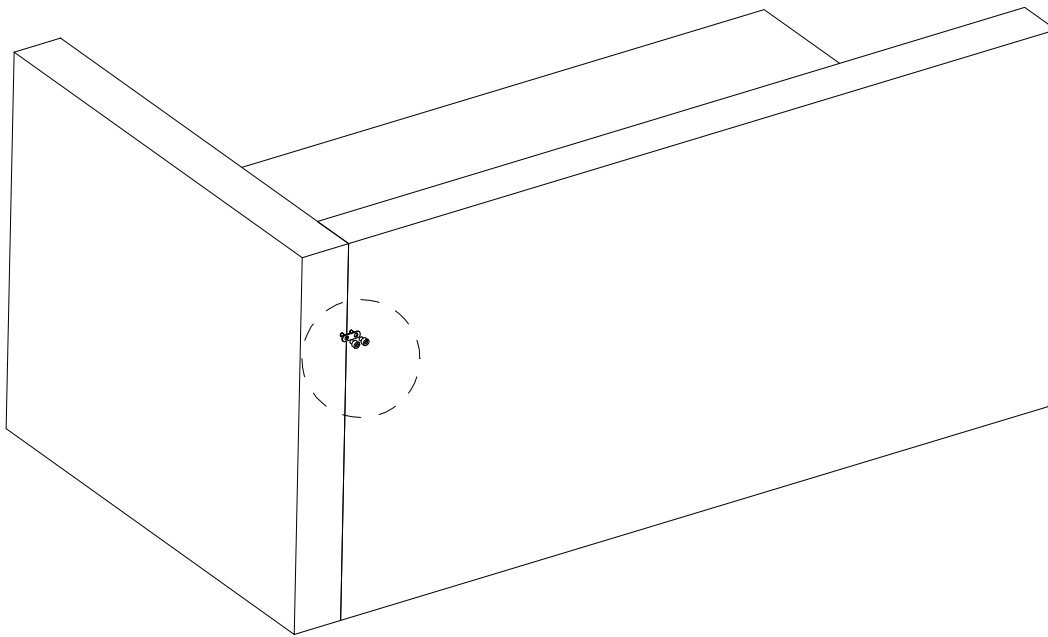
S003



Do Not Tighten The Screws Completely!

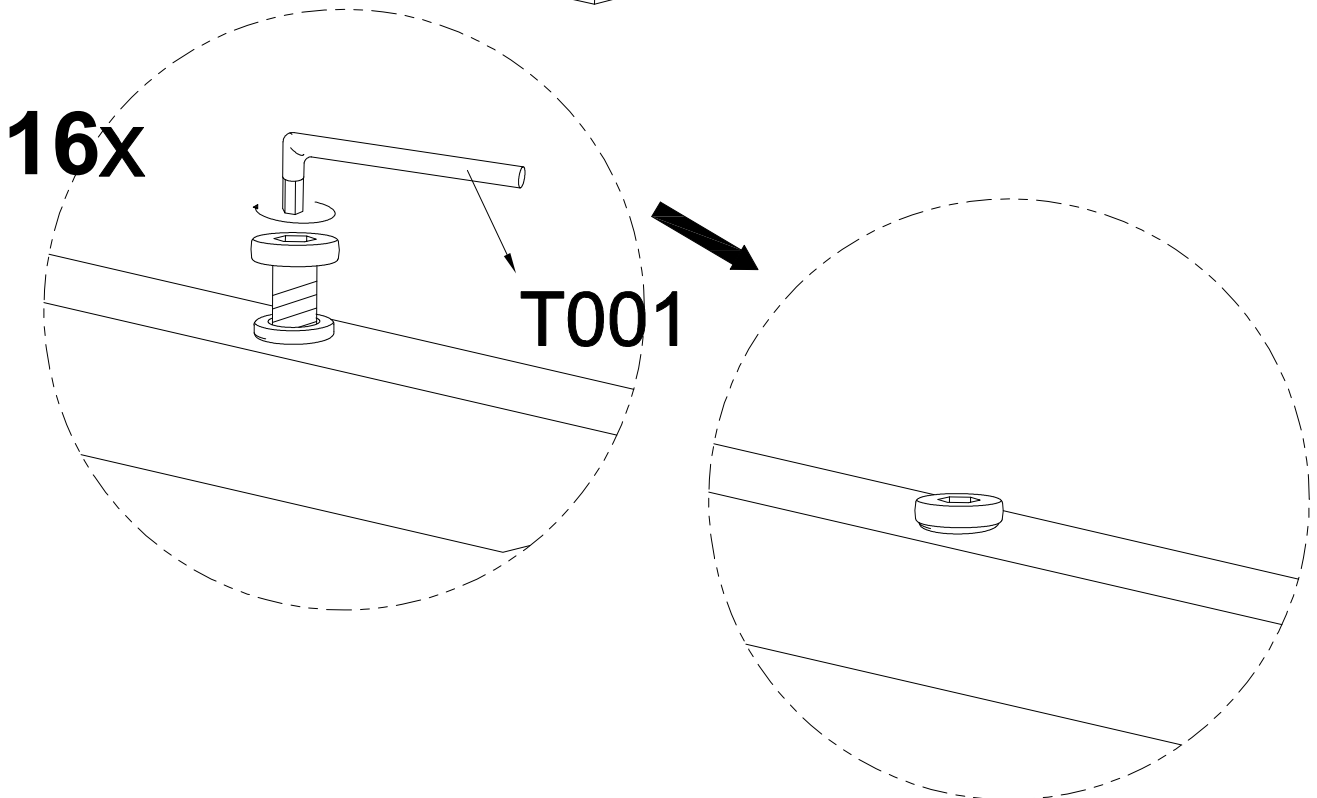
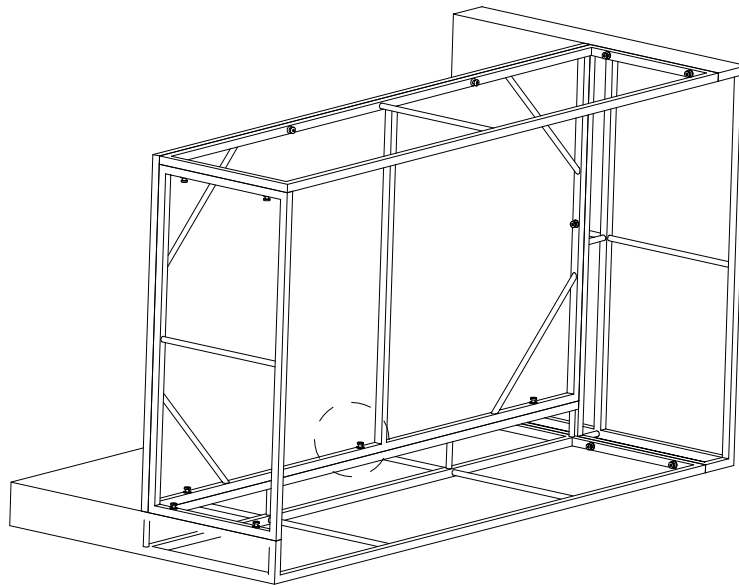
Left Sofa Section

STEP 5



Left Sofa Section

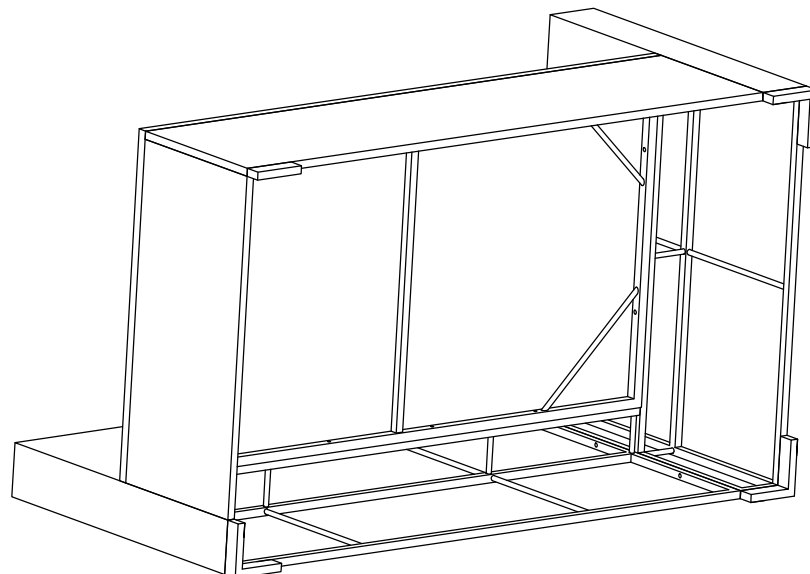
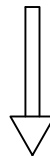
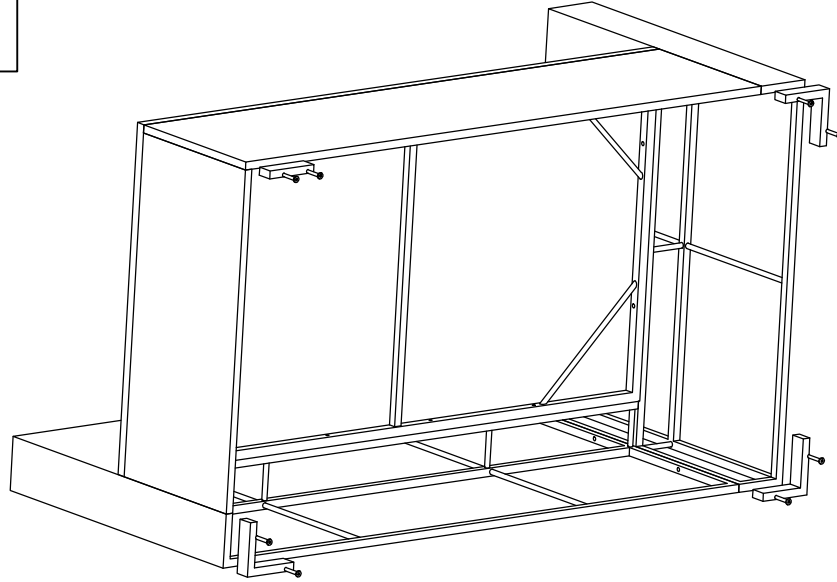
STEP 6



Tighten The Screws Completely Now!

Left Sofa Section

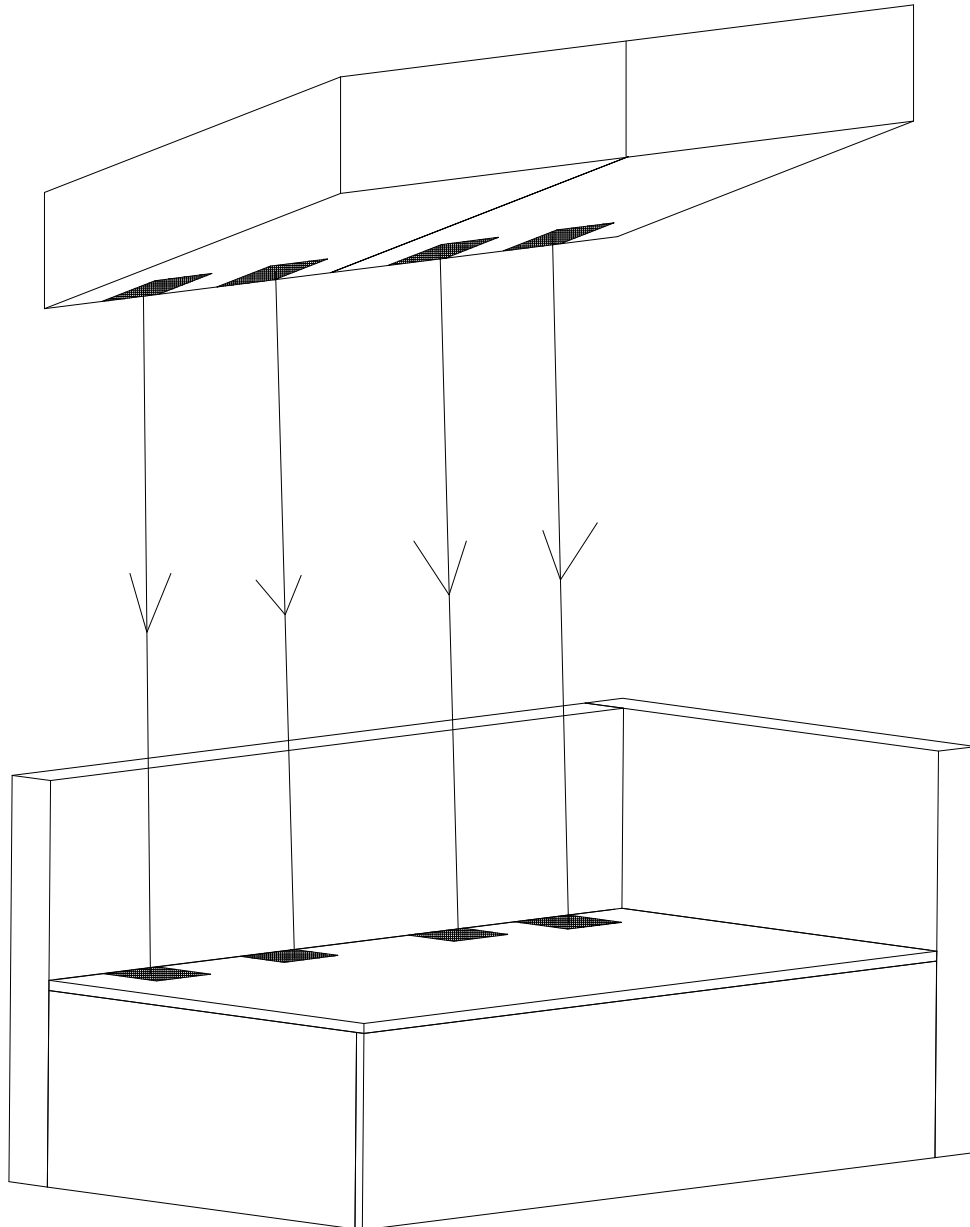
STEP 7



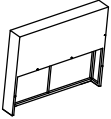

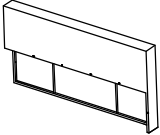
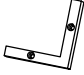
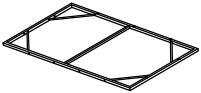



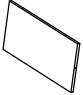


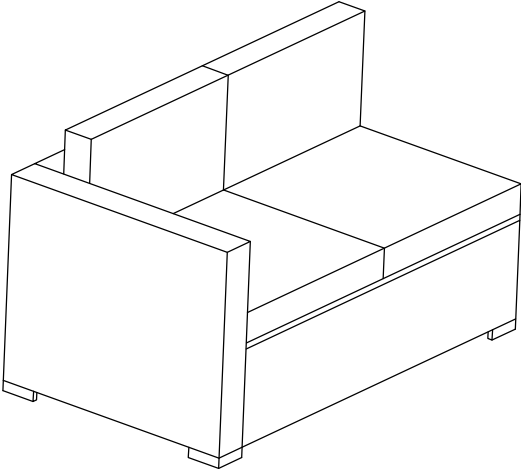


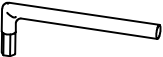
Tighten The Screws Completely!

Left Sofa Section

STEP 8

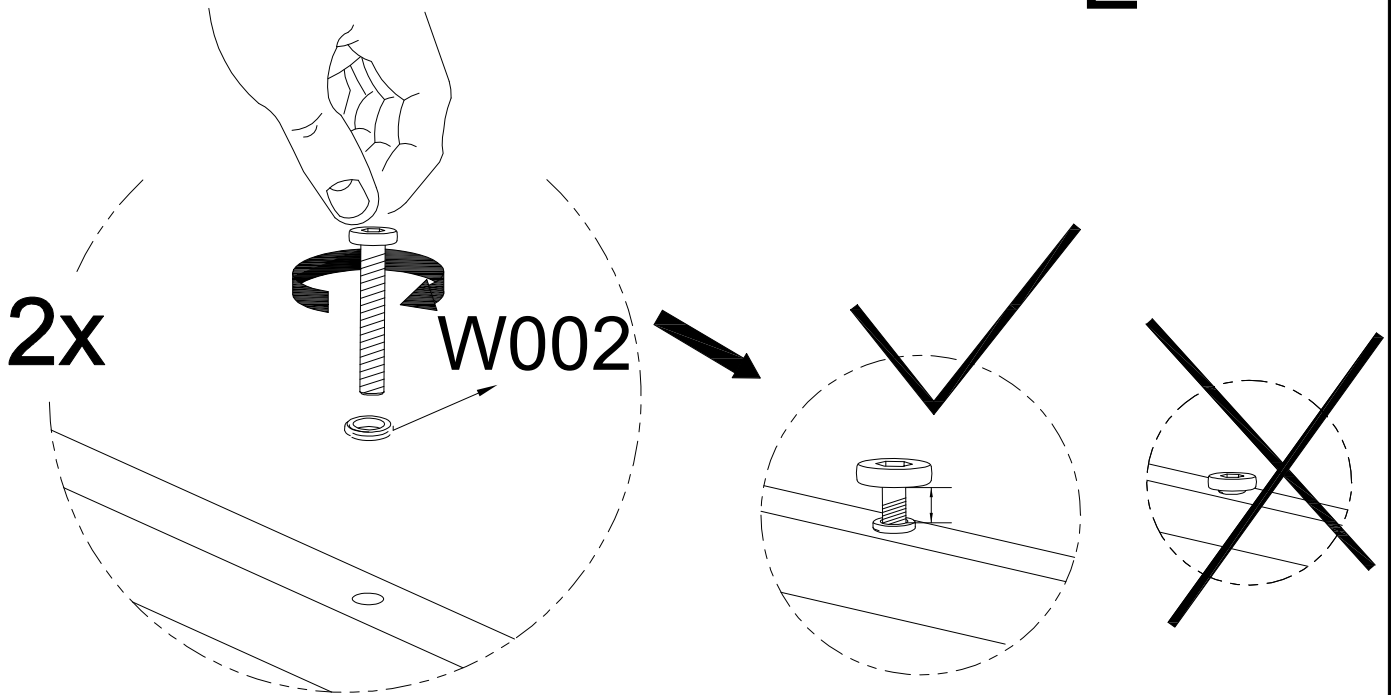
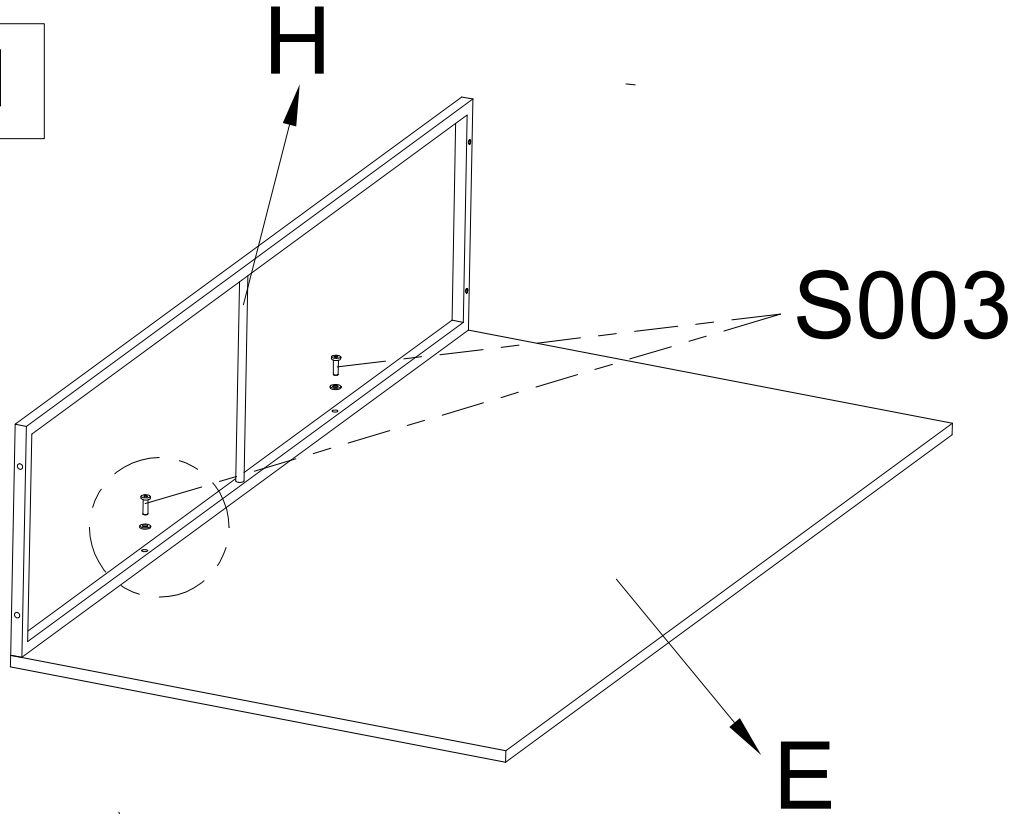


Right Sofa Section

Item no.	Reference Image	Description	Qty	Item no.	Reference Image	Description	Qty
A		Right Arm Rest	1	R		Foot Pad	1
C		Right Seat Back	1	S		L-Shaped Foot Pad	3
E		Right Seat Base	1	S002		M6x25 Hex Socket Head Screw	8
H		Right Front Panel	1	S001		M6x15 Hex Socket Head Screw	2
K		Side Panel	1	W001		Flat Washer	1
S003		M6x35 Hex Socket Head Screw	10				
S004		M6x40 Hex Socket Head Screw	6				
W002		Flat Washer	16				
T001		S4 Allen Key	1				

Right Sofa Section

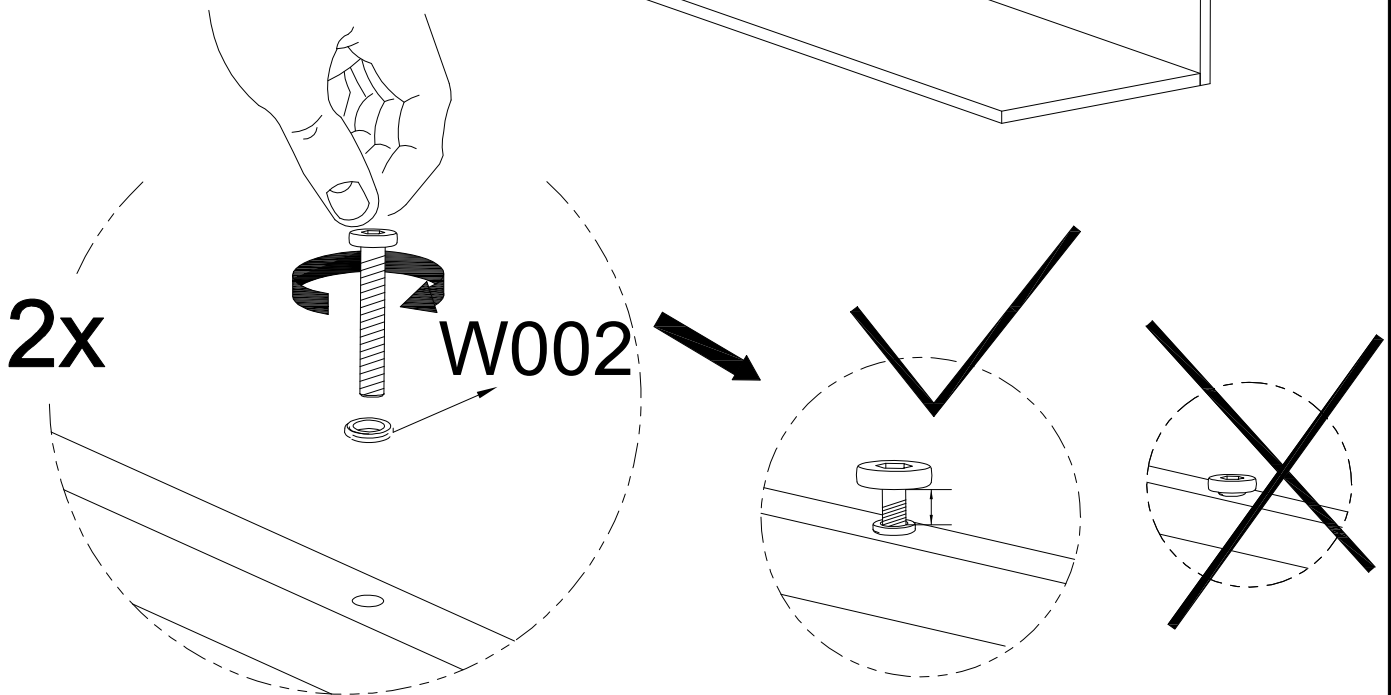
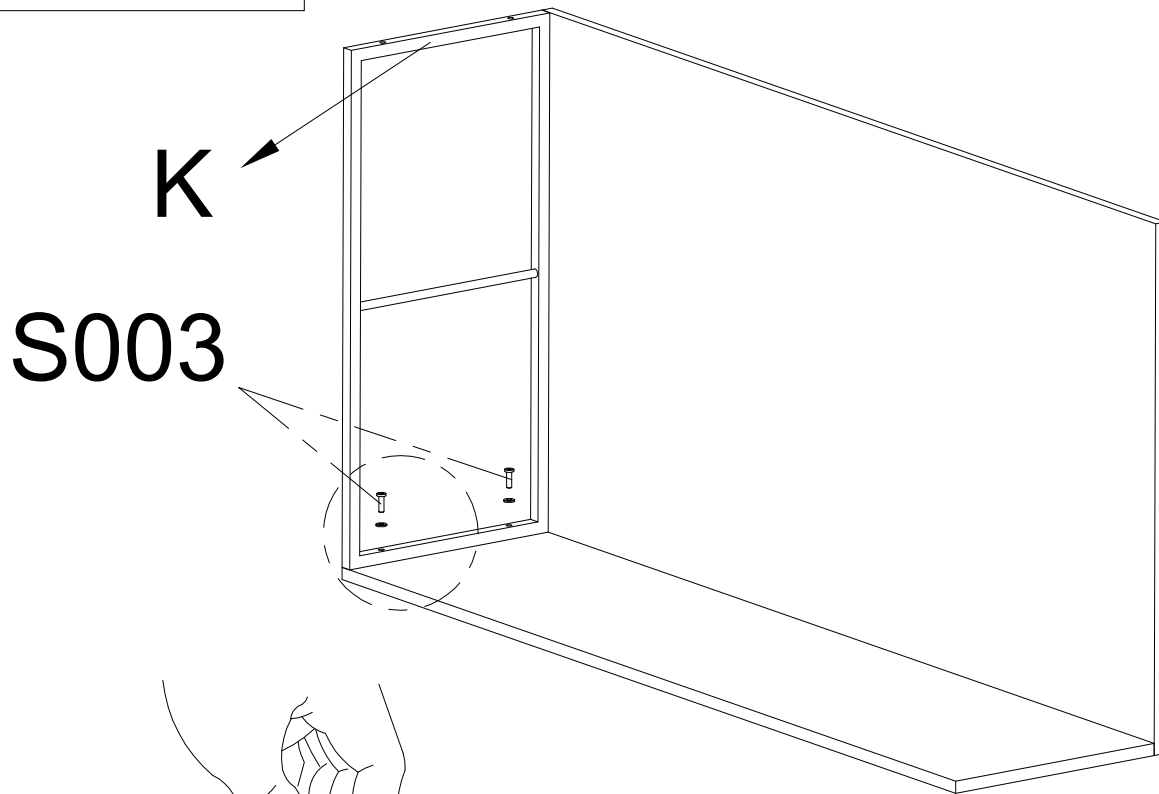
STEP 1



Do Not Tighten The Screws Completely!

Right Sofa Section

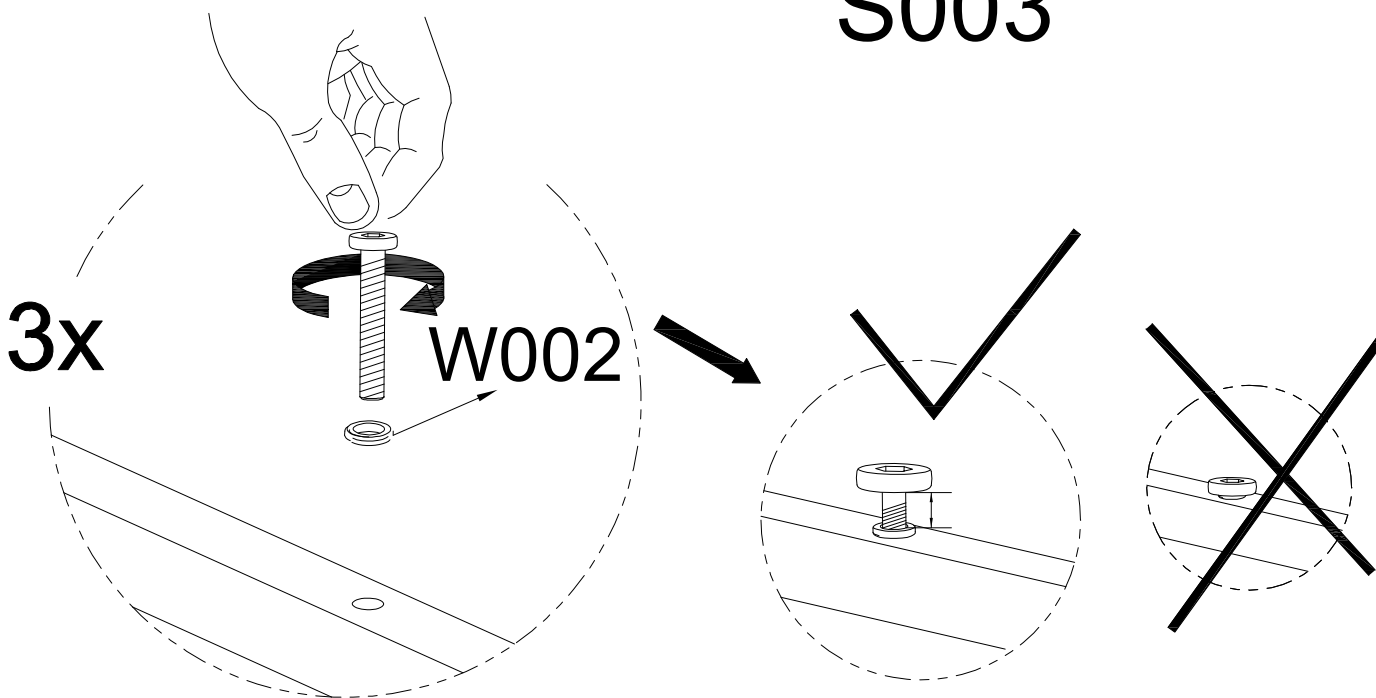
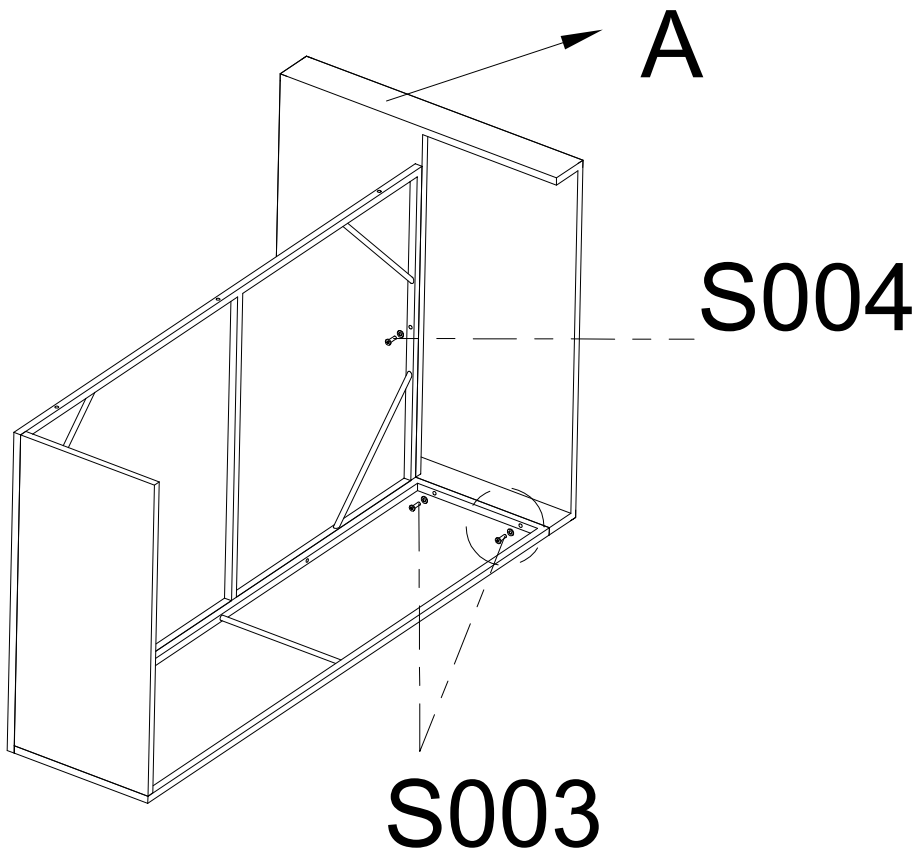
STEP 2



Do Not Tighten The Screws Completely!

Right Sofa Section

STEP 3



Do Not Tighten The Screws Completely!

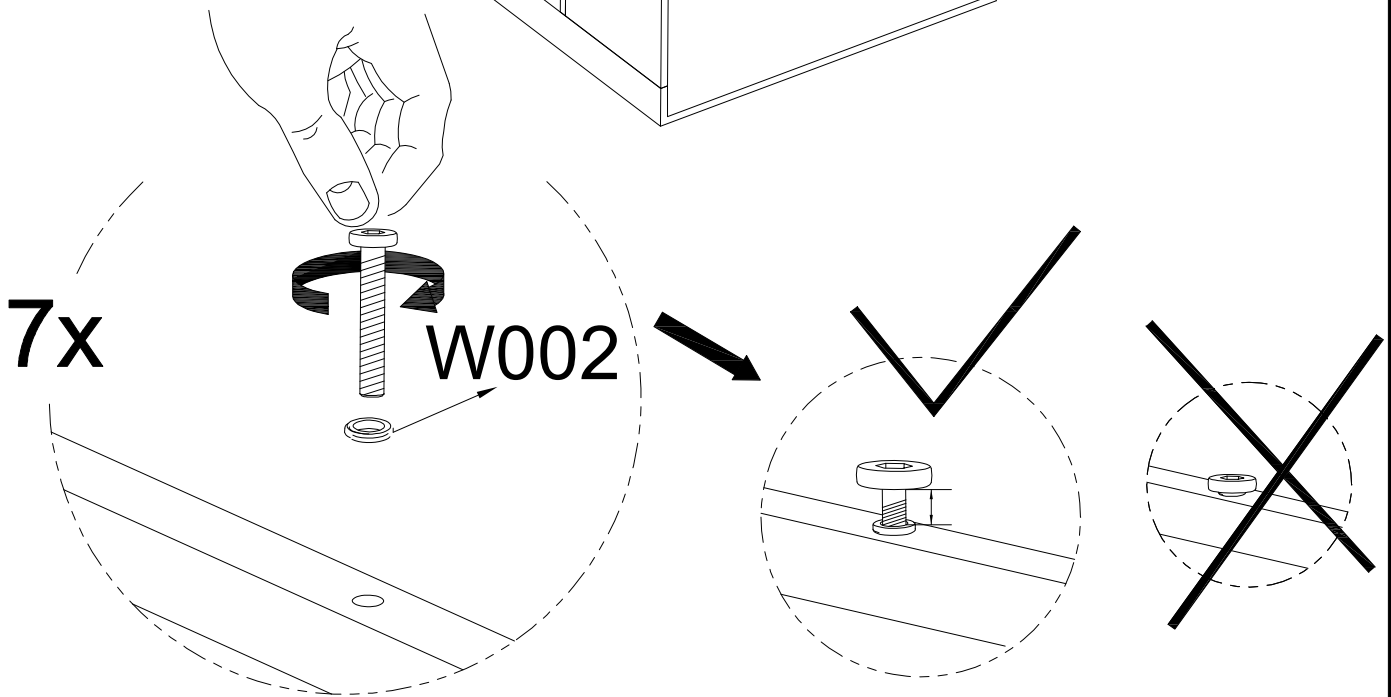
Right Sofa Section

STEP 4

S004

C

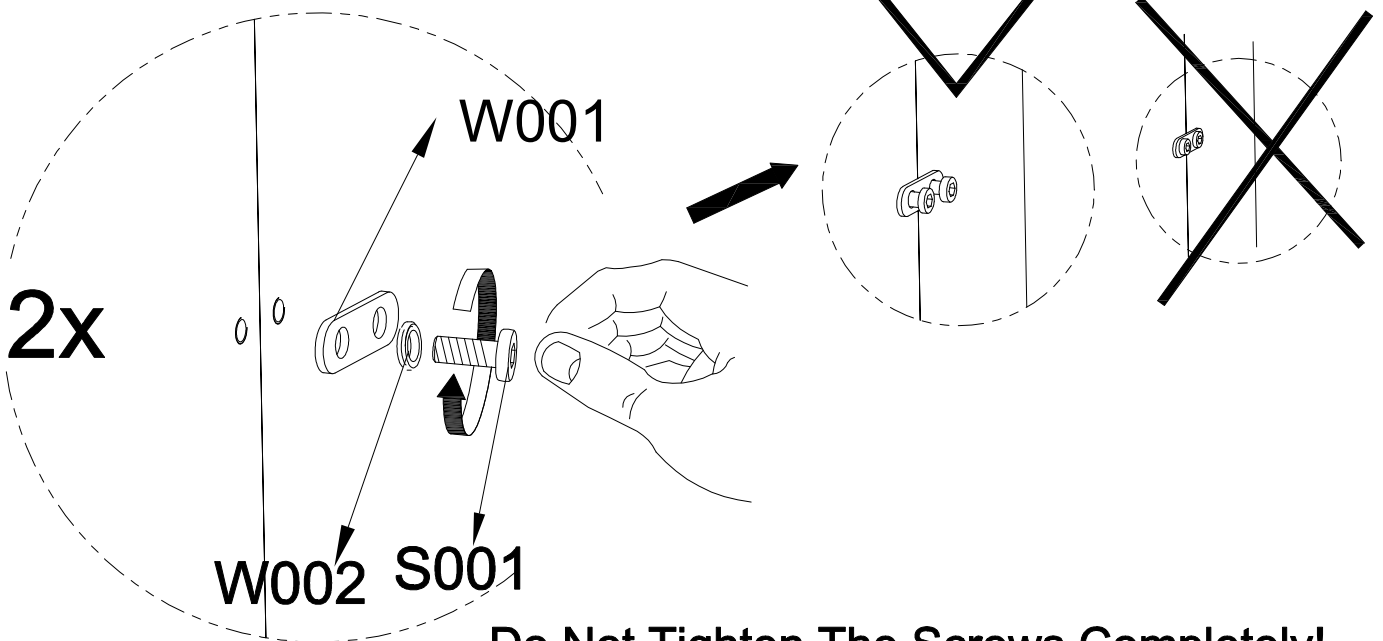
S003



Do Not Tighten The Screws Completely!

Right Sofa Section

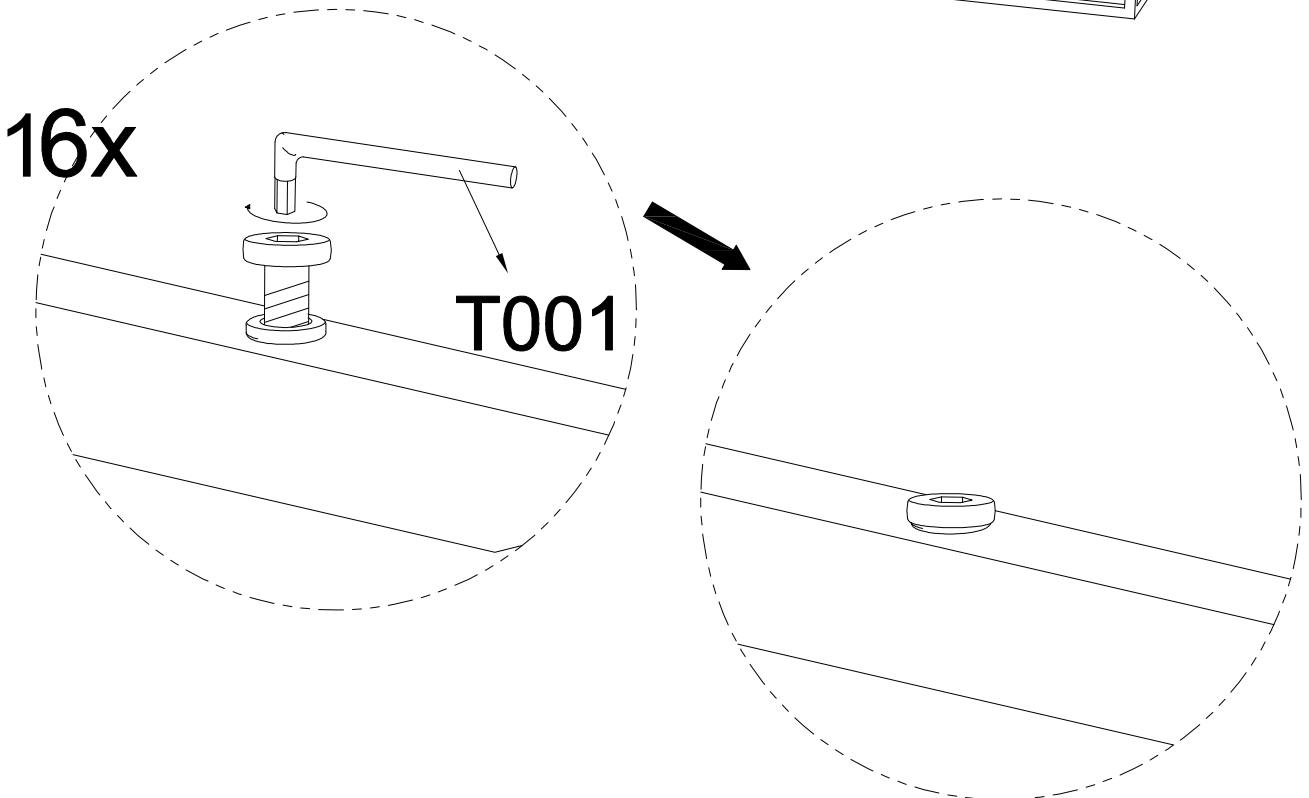
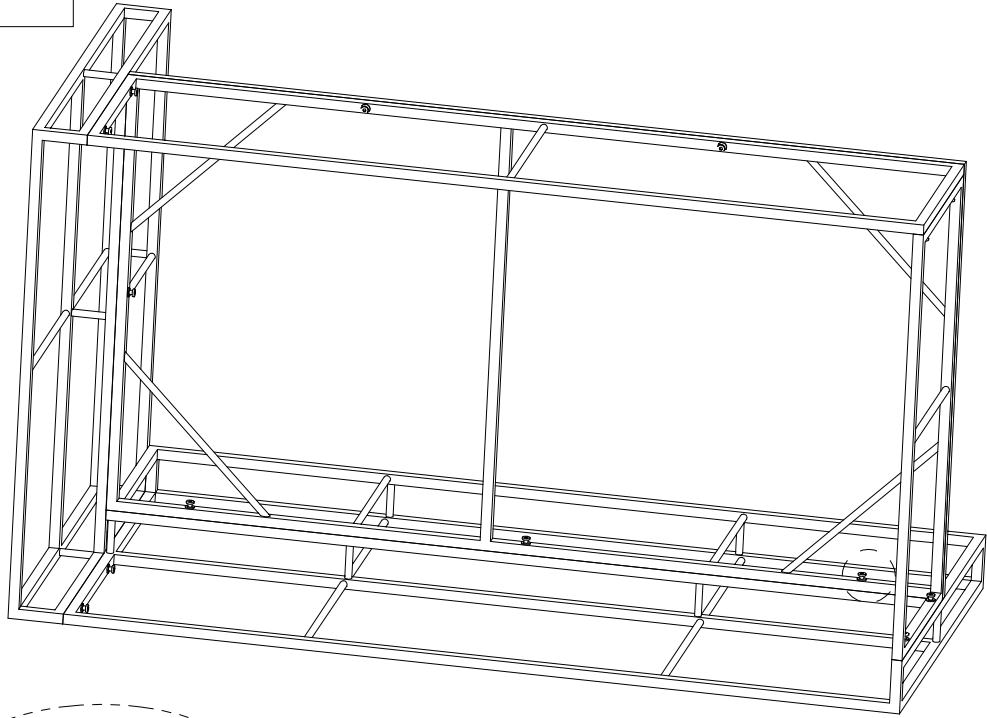
STEP 5



Do Not Tighten The Screws Completely!

Right Sofa Section

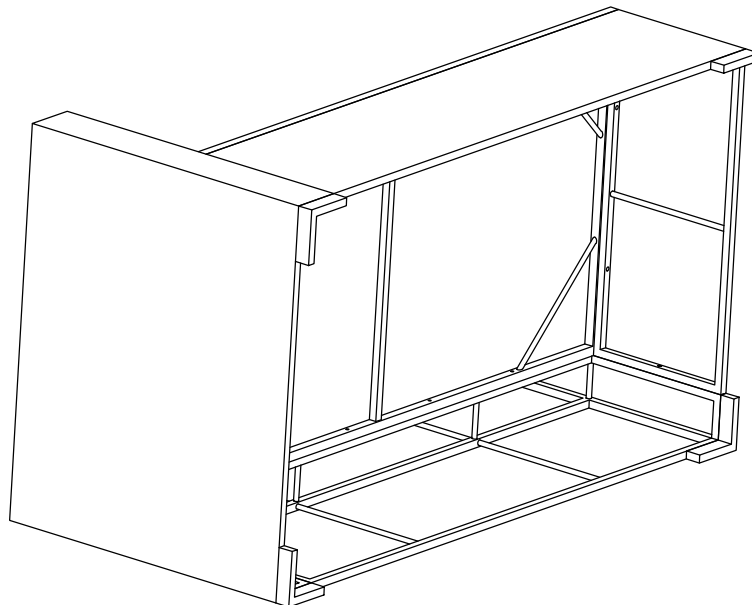
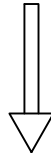
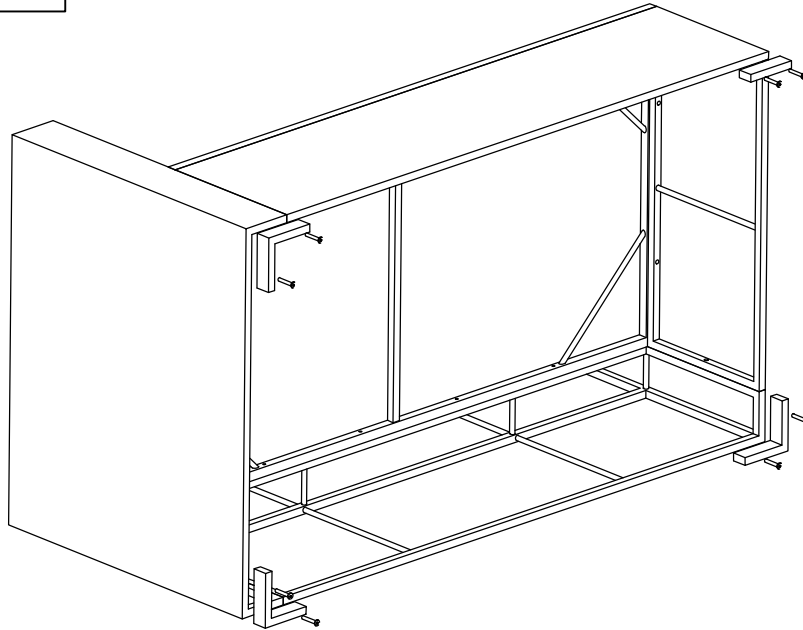
STEP 6



Tighten The Screws Completely Now!

Right Sofa Section

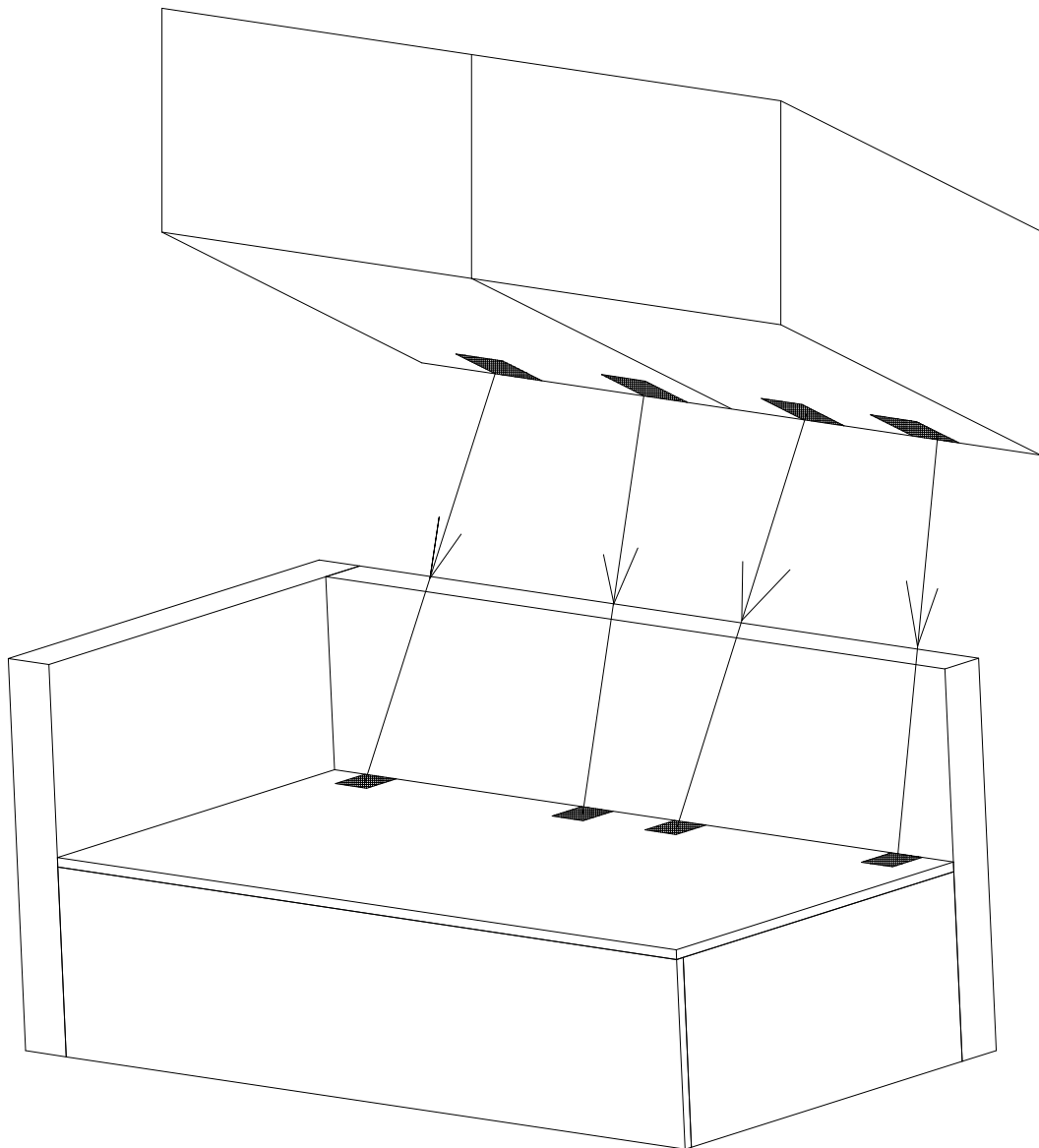
STEP 7



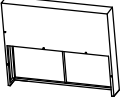

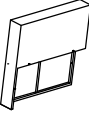
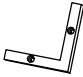
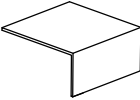

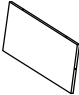





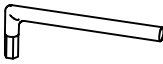
Tighten The Screws Completely Now!

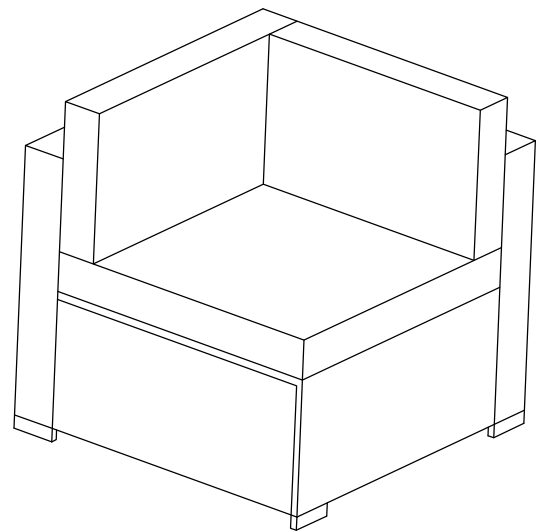
Right Sofa Section

STEP 8



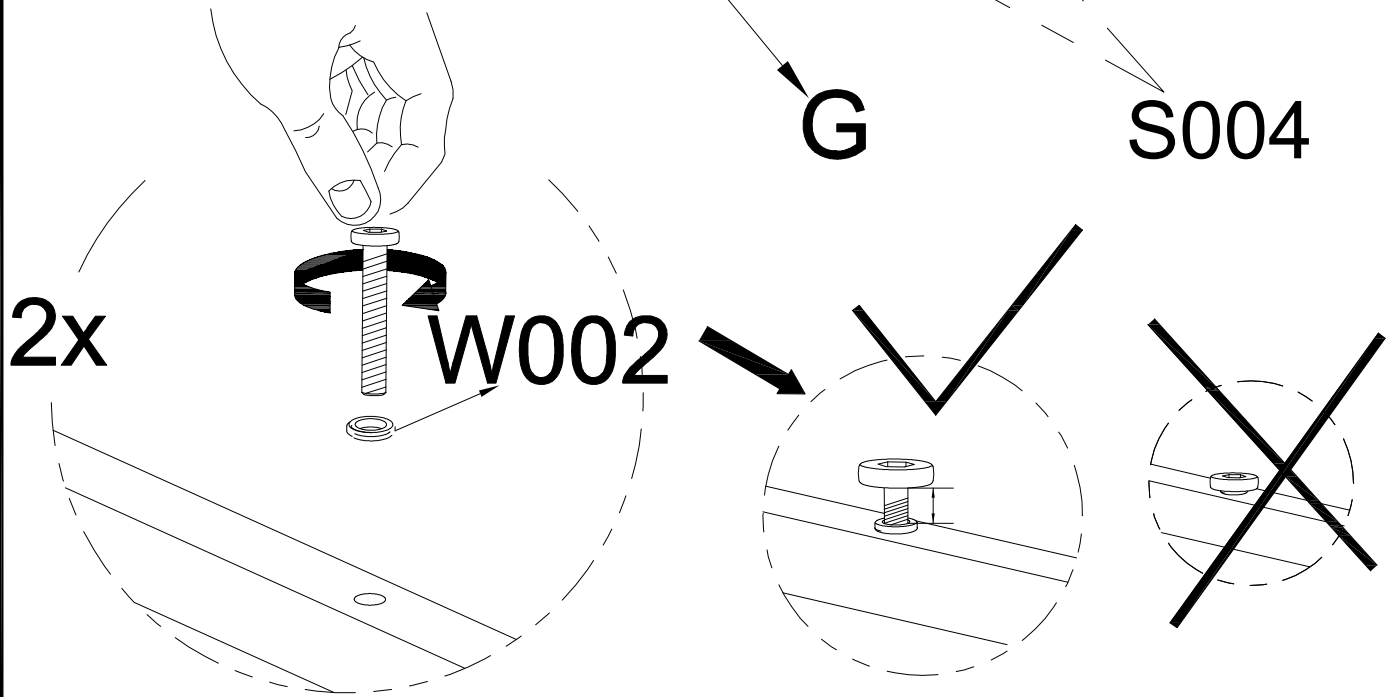
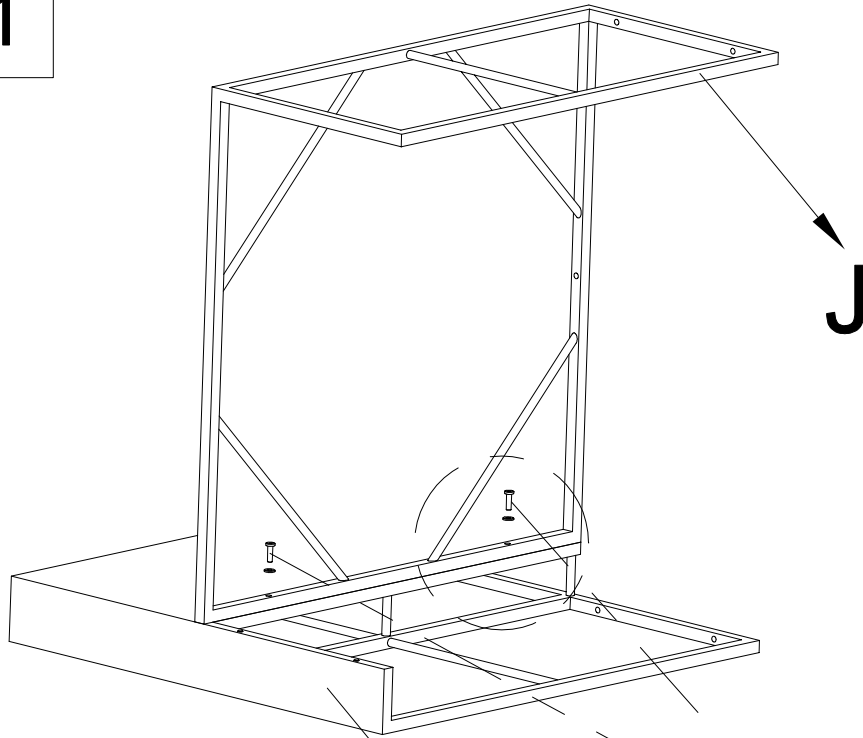
Corner Seat

Item no.	Reference Image	Description	Qty	Item no.	Reference Image	Description	Qty
B		Left Arm Rest	1	R		Foot Pad	1
G		Corner Seat Back	1	S		L-Shaped Foot Pad	3
J		Corner Seat Base	1	S002		M6x25 Hex Socket Head Screw	8
K		Side Panel	1	S001		M6x15 Hex Socket Head Screw	2
S003		M6x35 Hex Socket Head Screw	7	W001		Flat Washer	1
S004		M6x40 Hex Socket Head Screw	4				
W002		Flat Washer	13				
T001		S4 Allen Key	1				



Corner Seat

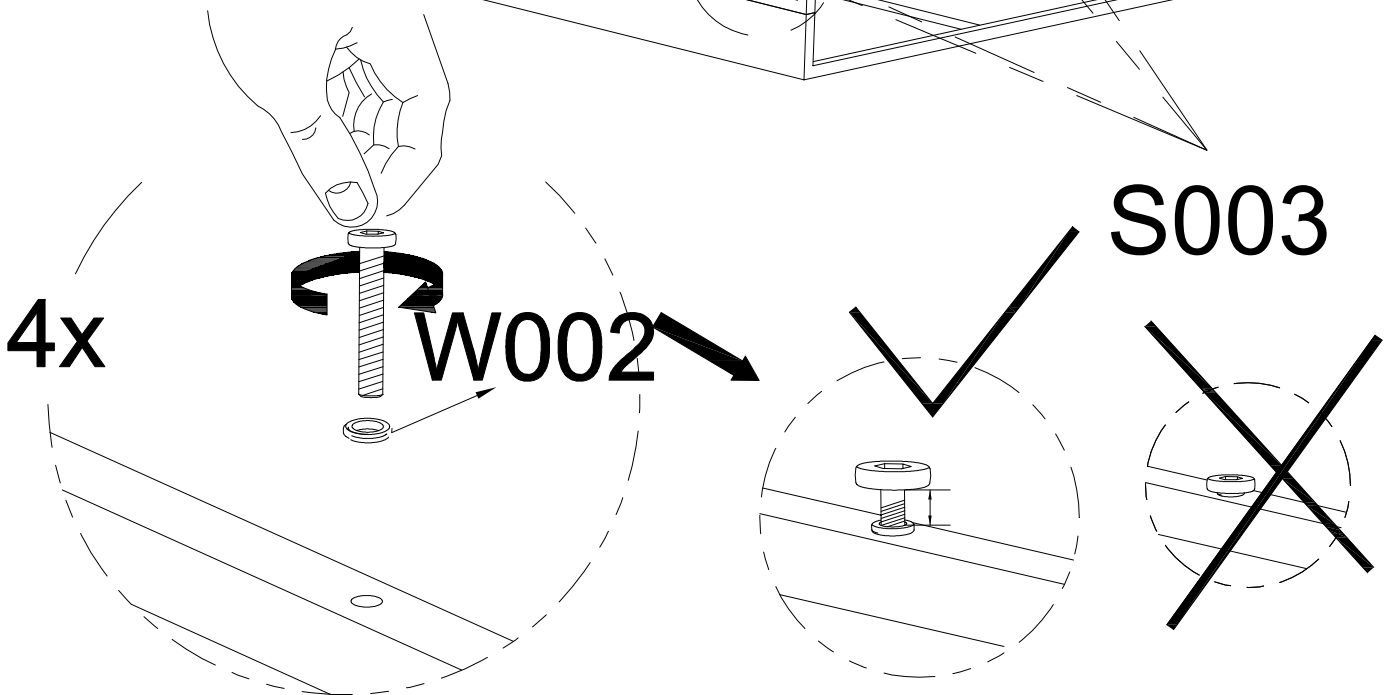
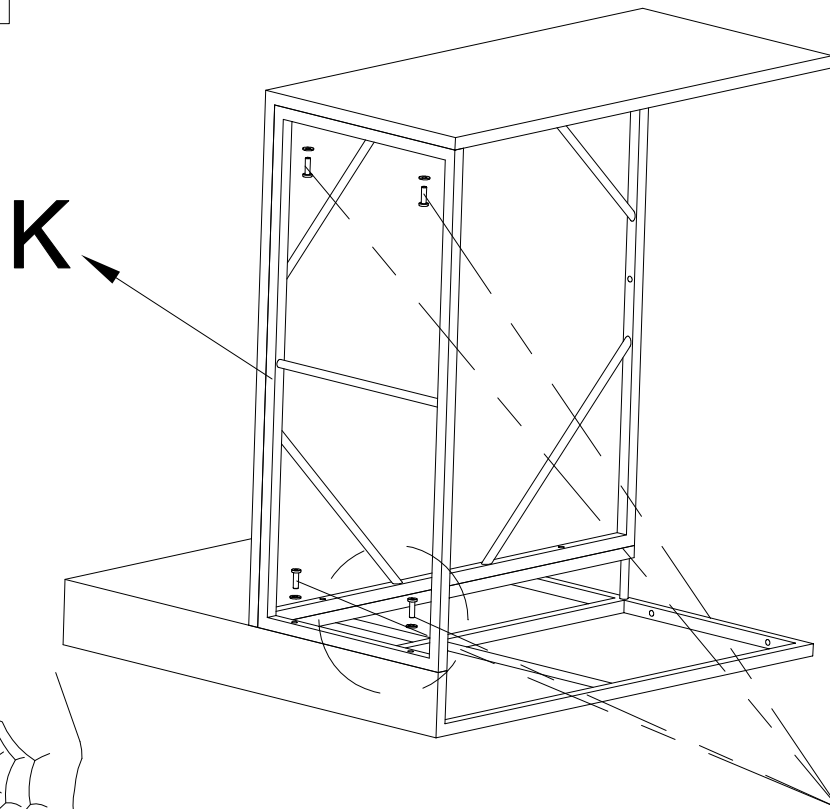
STEP 1



Do Not Tighten The Screws Completely!

Corner Seat

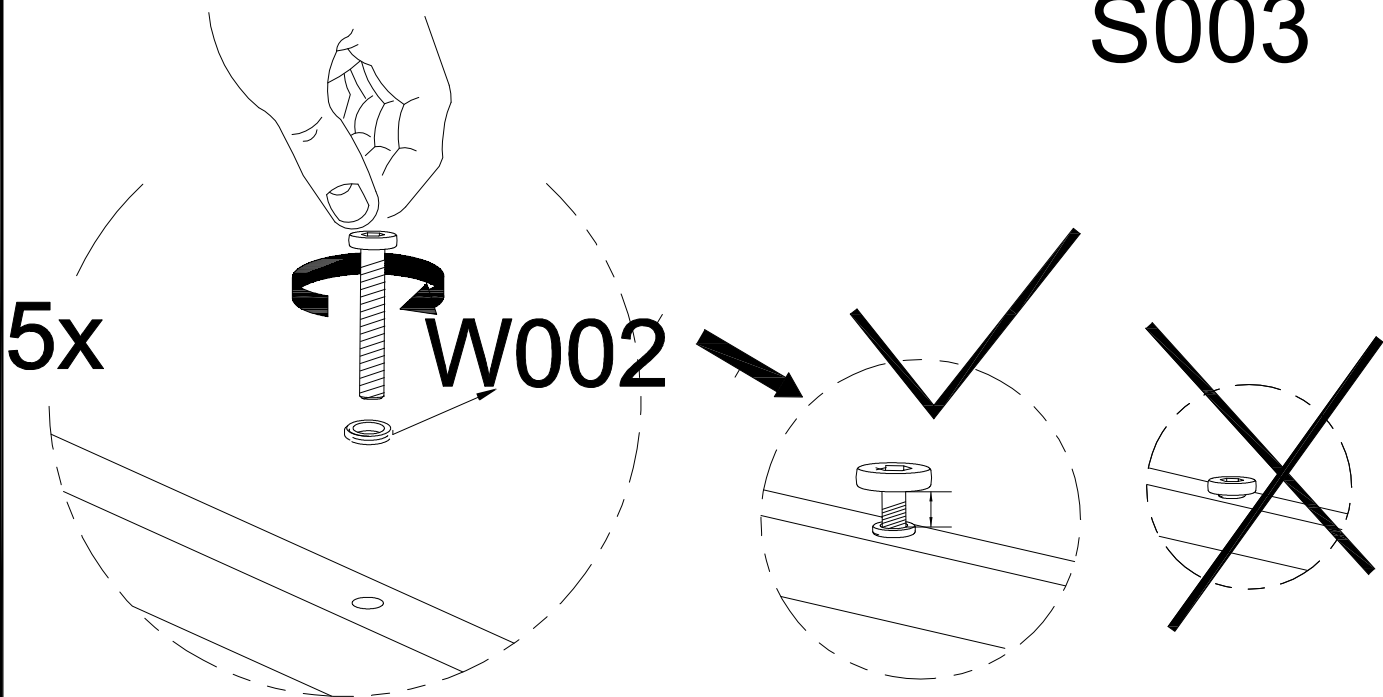
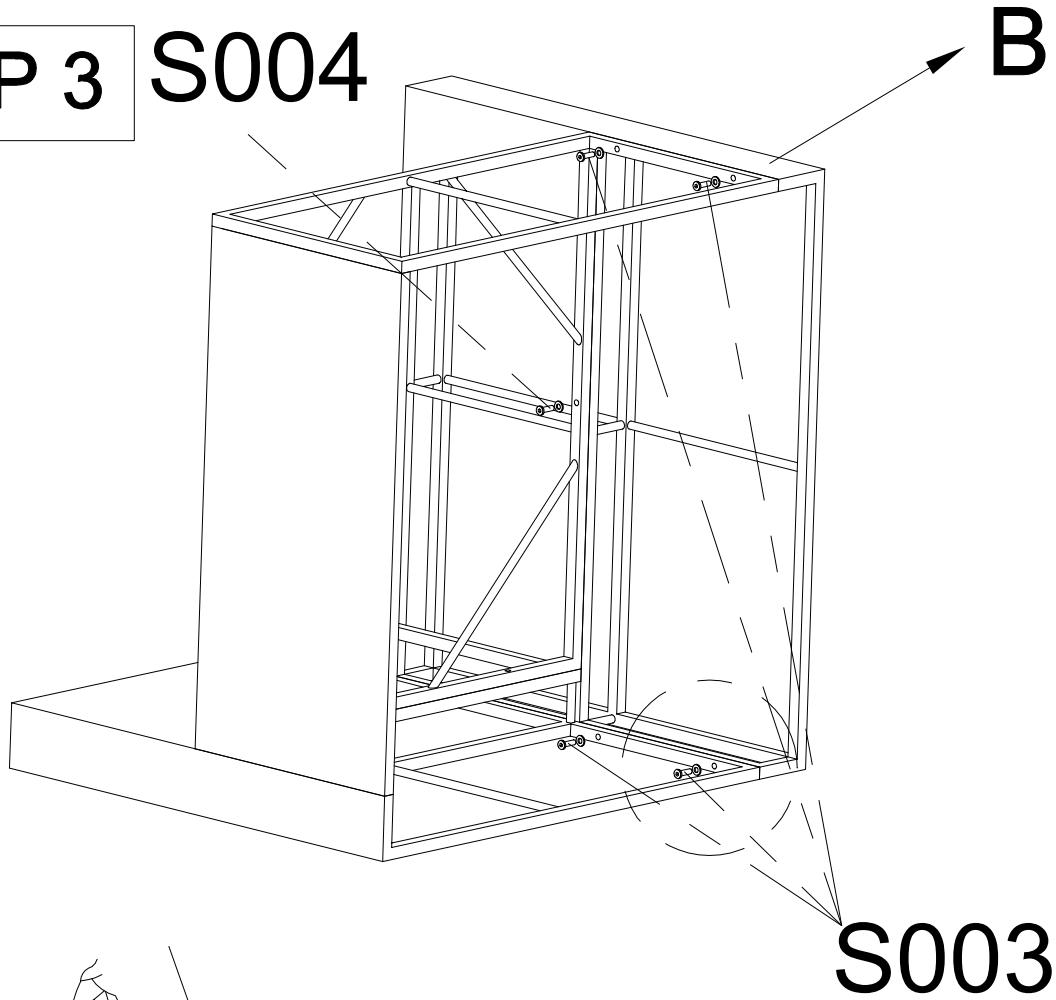
STEP 2



Do Not Tighten The Screws Completely!

Corner Seat

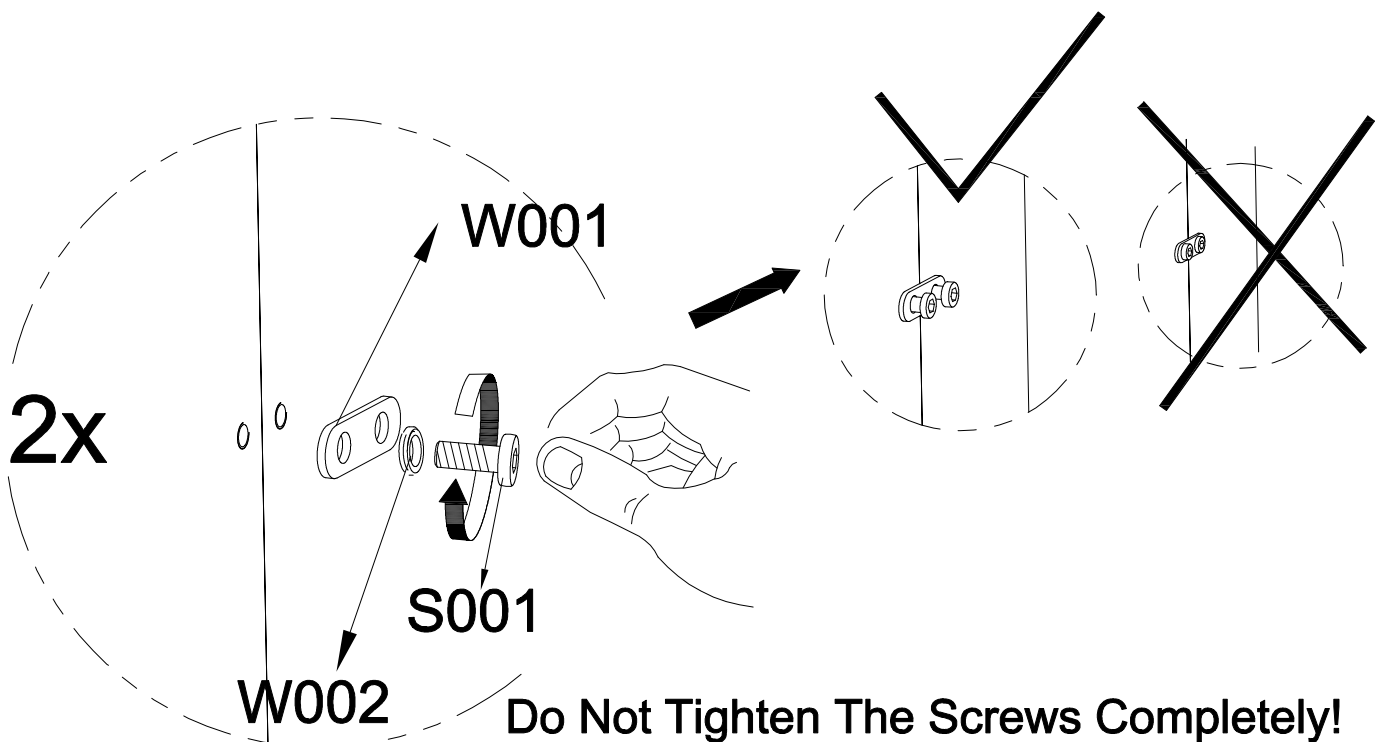
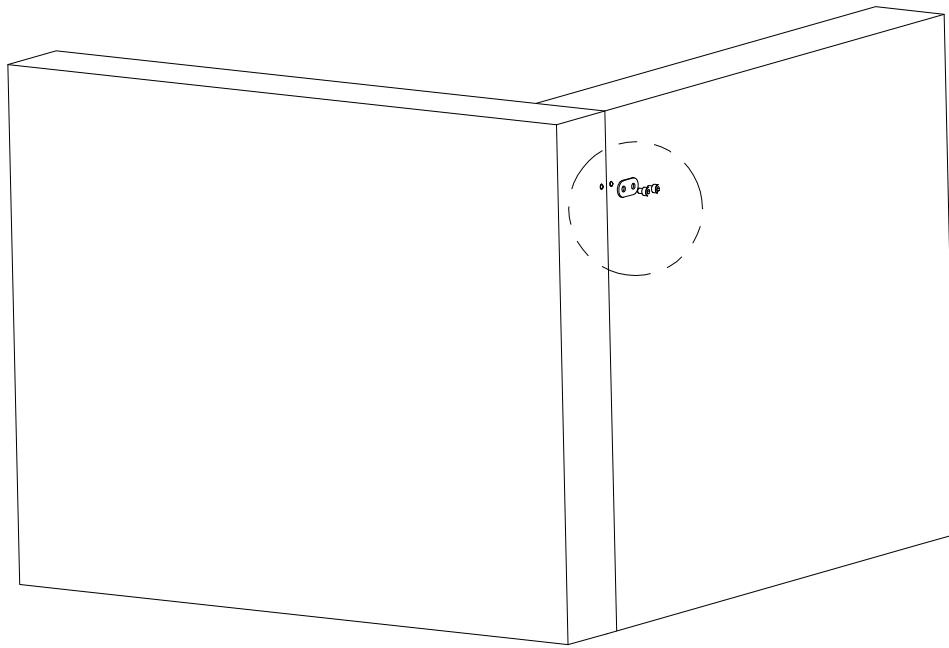
STEP 3 S004



Do Not Tighten The Screws Completely!

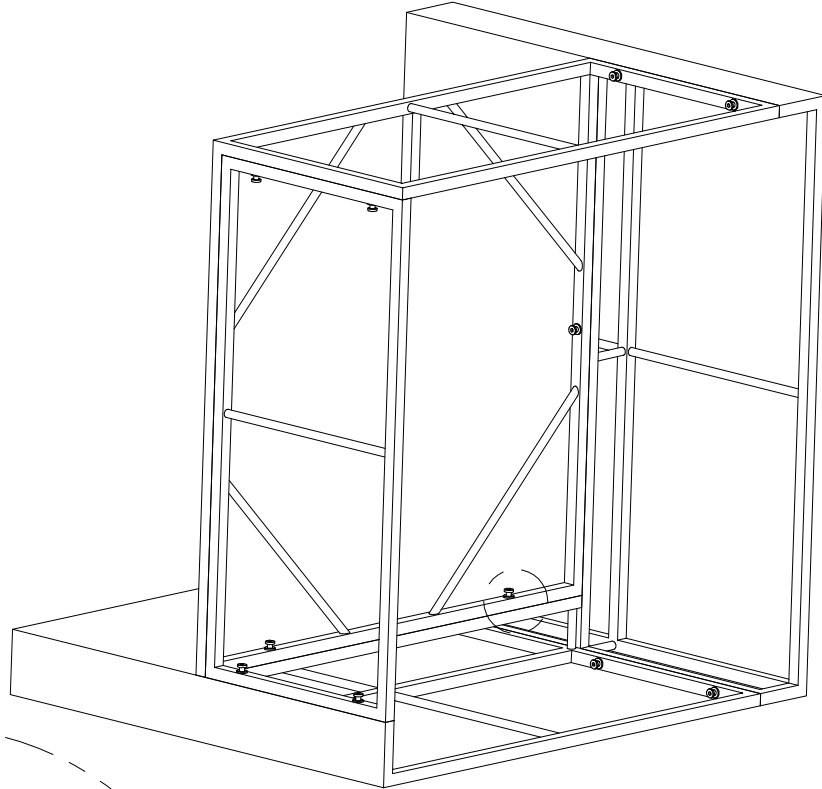
Corner Seat

STEP 4

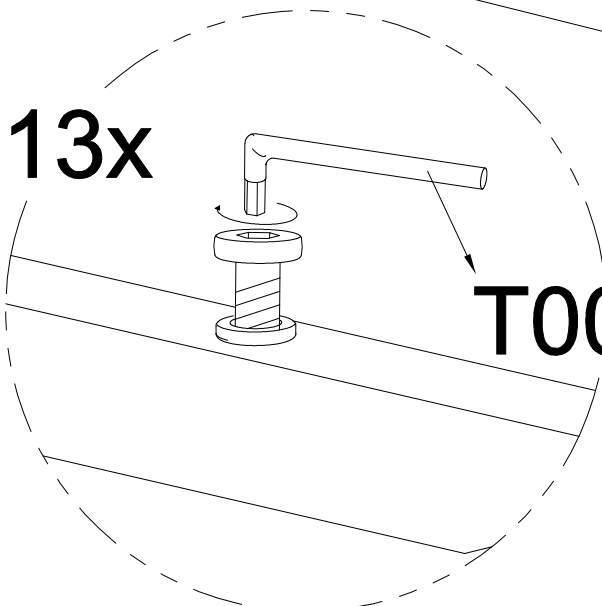


Corner Seat

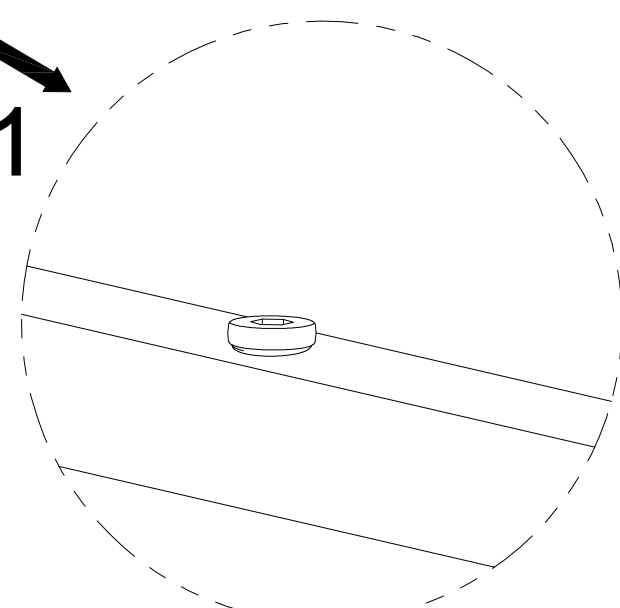
STEP 5



13x



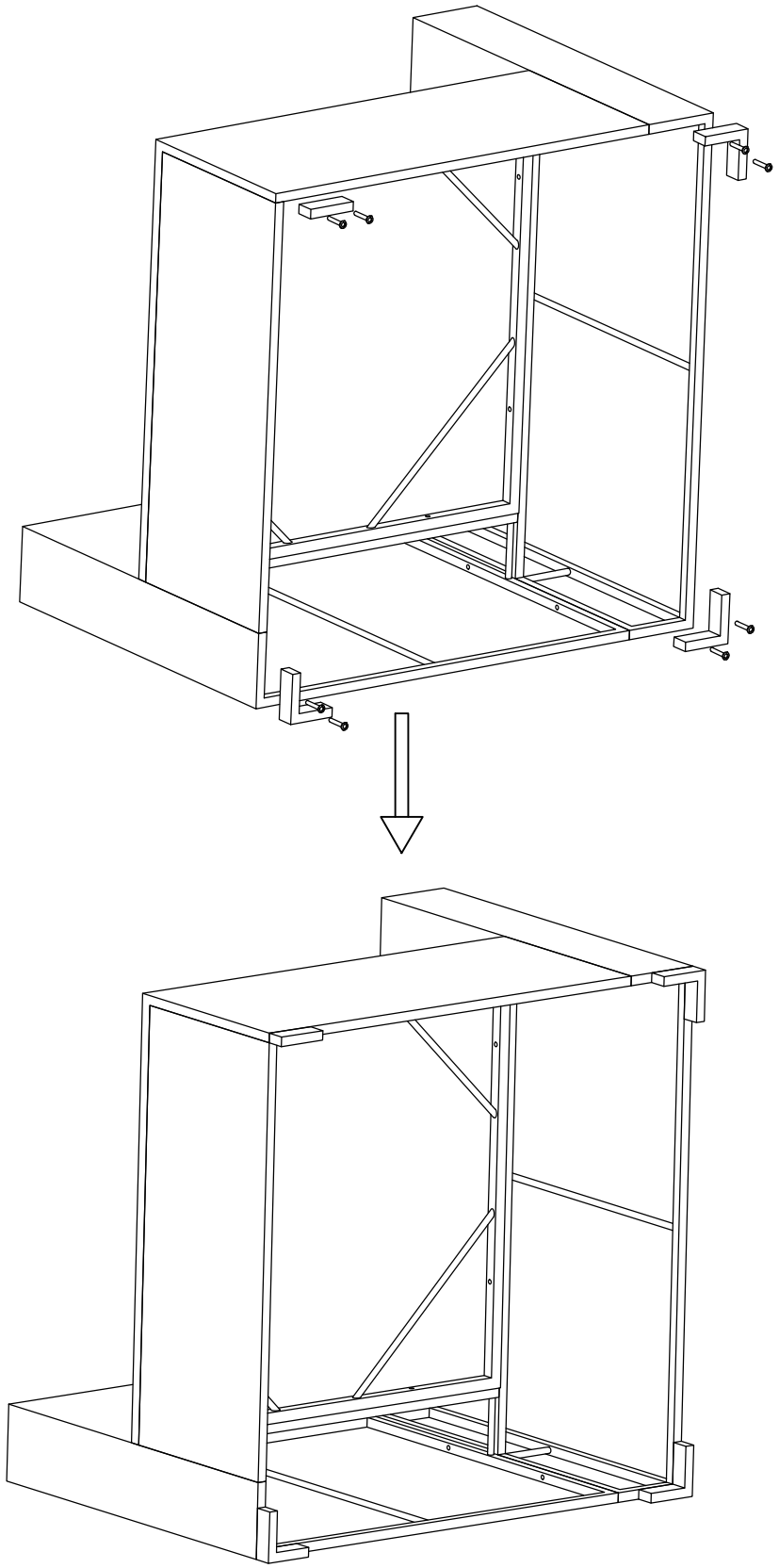
T001



Tighten The Screws Completely Now!

Corner Seat

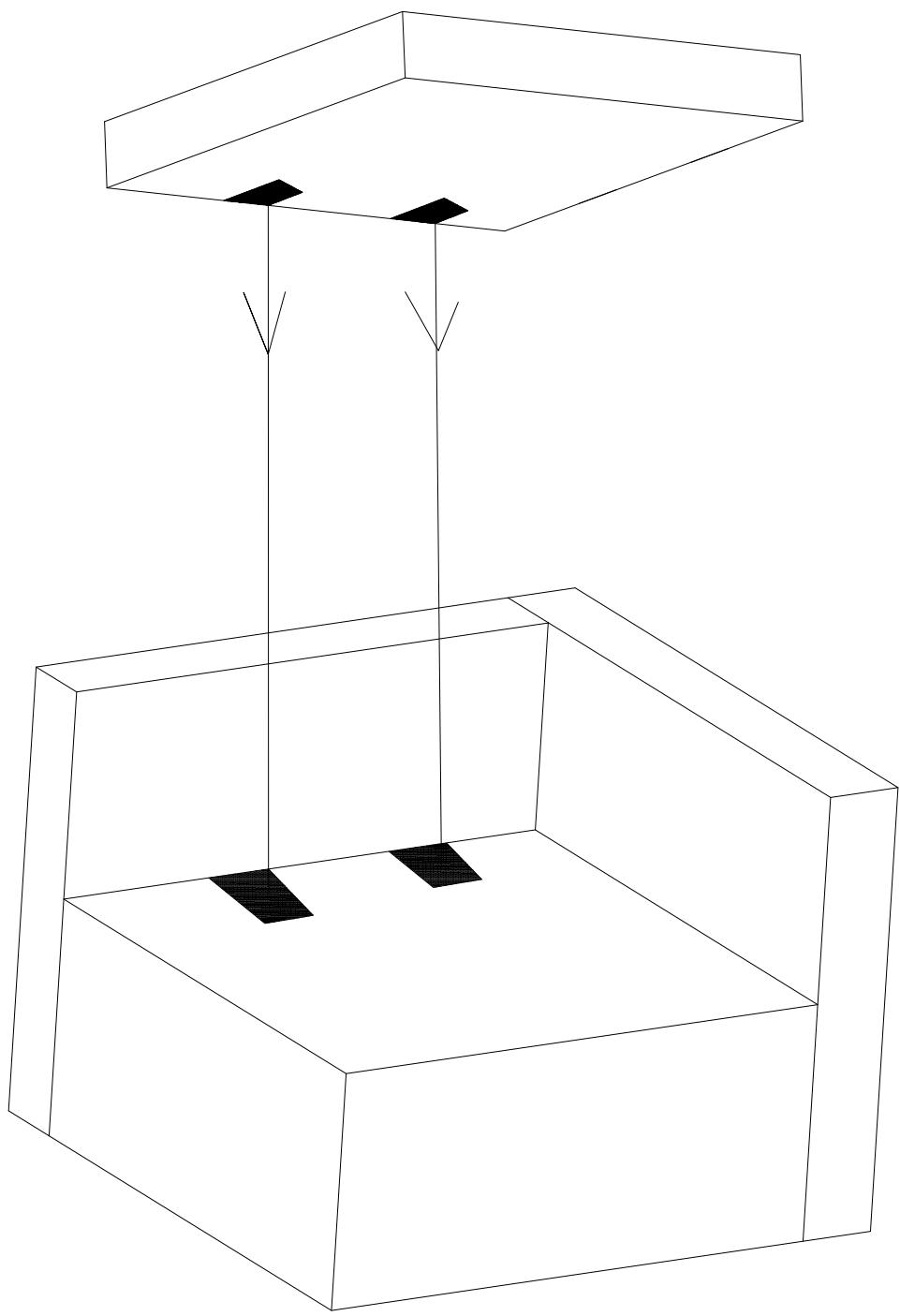
STEP 6





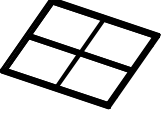

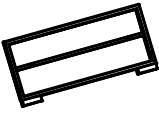

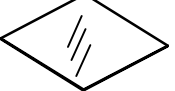


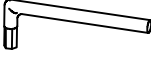
Tighten The Screws Completely Now!

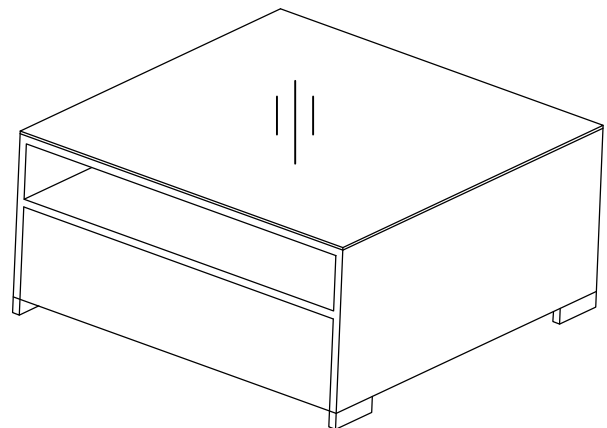
Corner Seat

STEP 7



Coffee Table

Item no.	Reference Image	Description	Qty	Item no.	Reference Image	Description	Qty
A		Desktop	1	P		Foot Pad	4
B		Middle Frame	1	S002		M6x25 Hex Socket Head Screw	8
C		Front and Rear Panels	2				
D		Side Panel	2				
E		Glass	1				
S003		M6x35 Hex Socket Head Screw	14				
W002		D6 Flat Washer	14				
T001		S4 Allen Key	1				

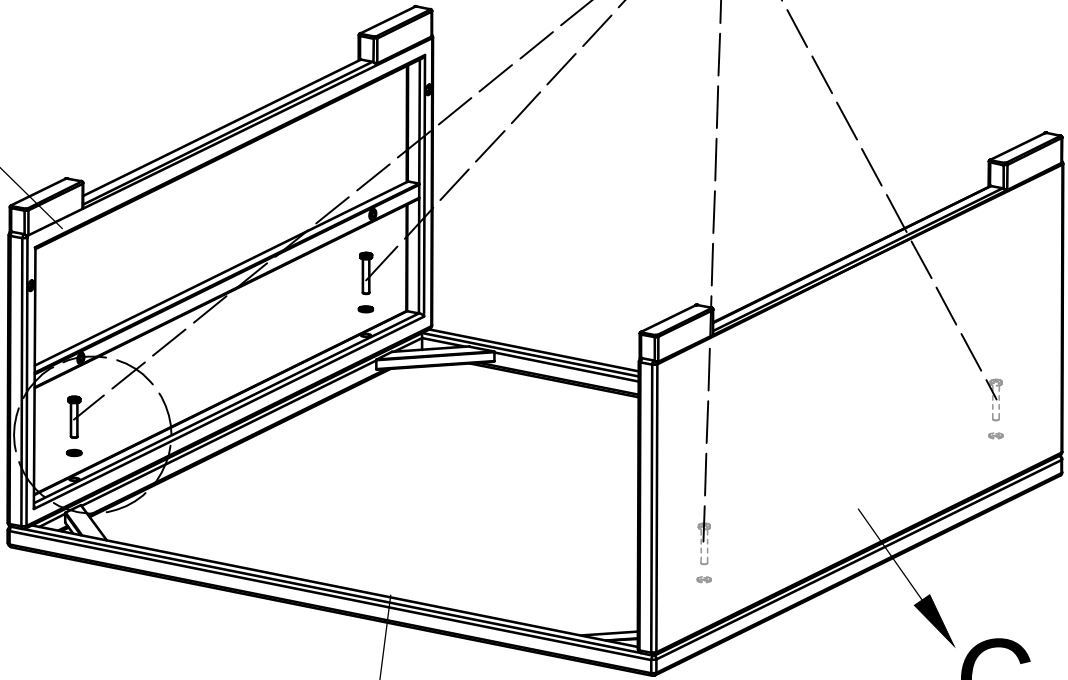


Table

STEP 1

S003

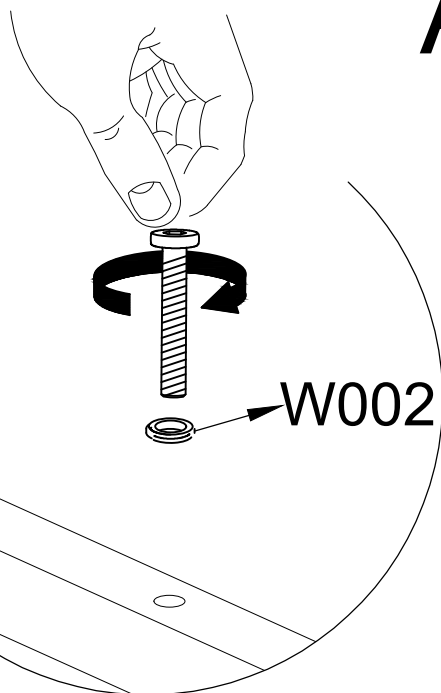
C



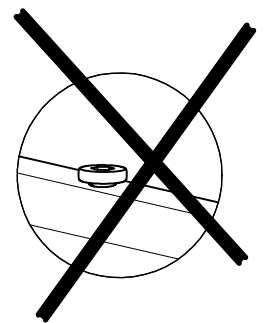
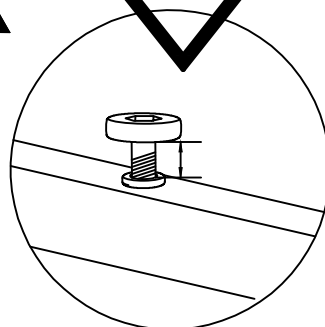
C

A

4x



W002

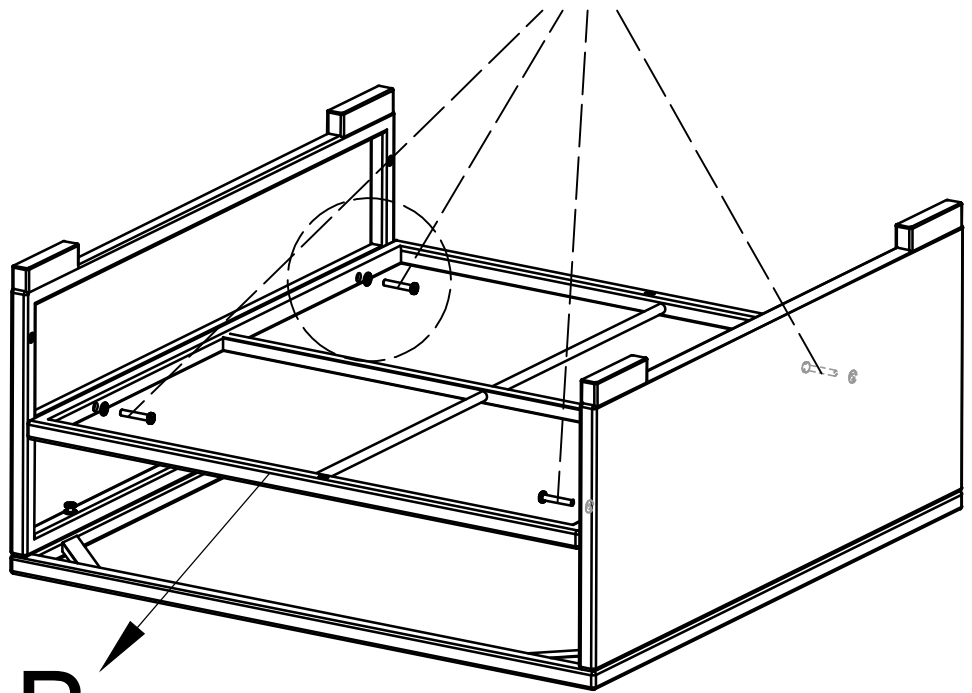


Do Not Tighten The Screws Completely!

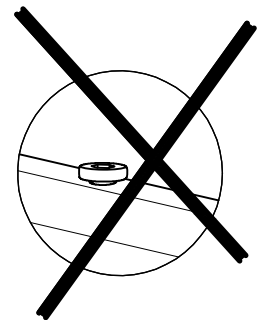
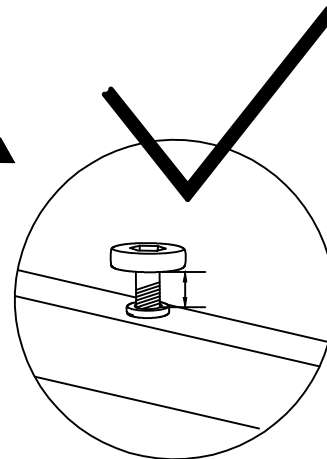
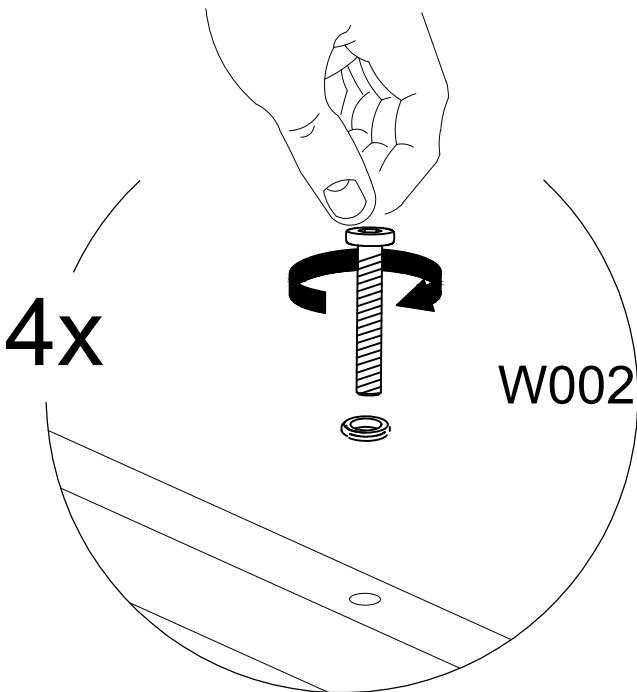
Table

STEP 2

S003



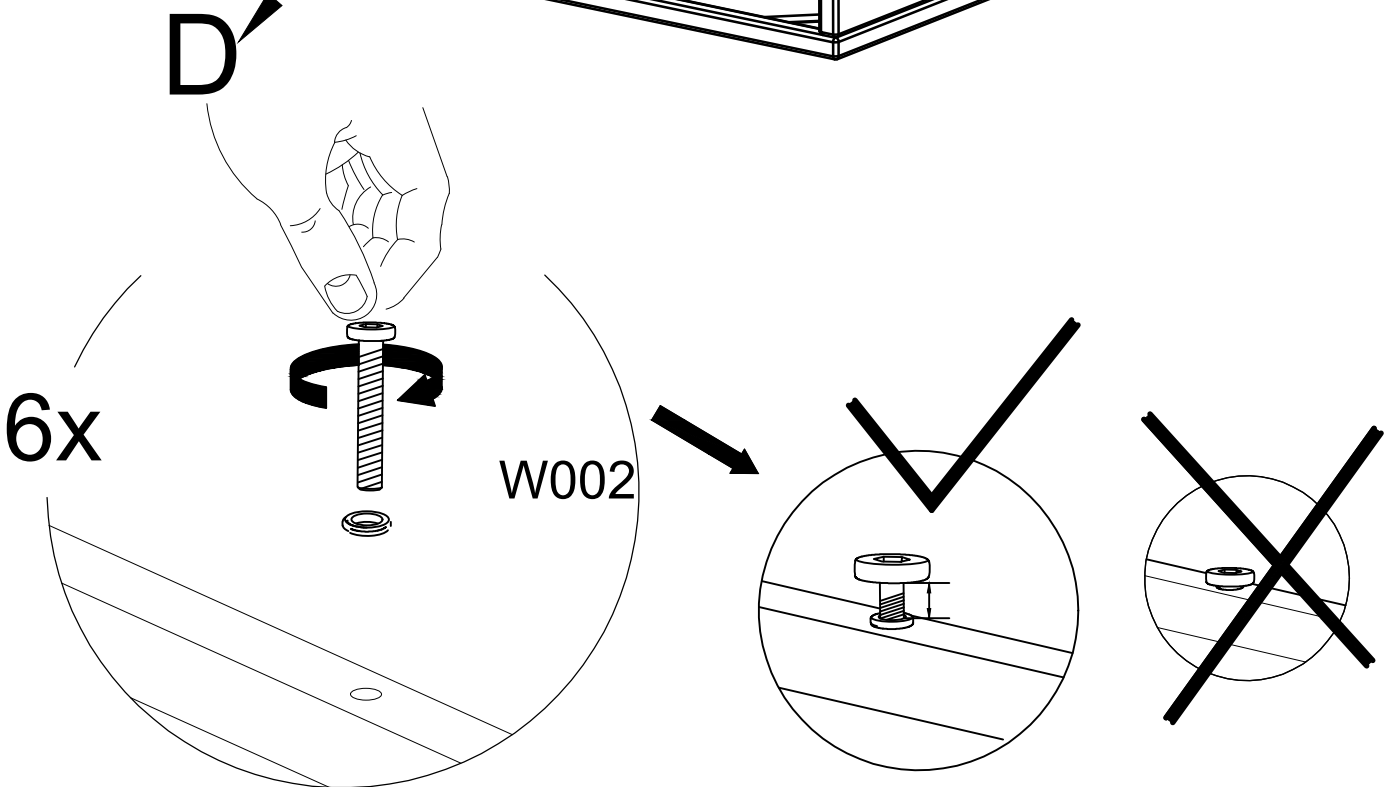
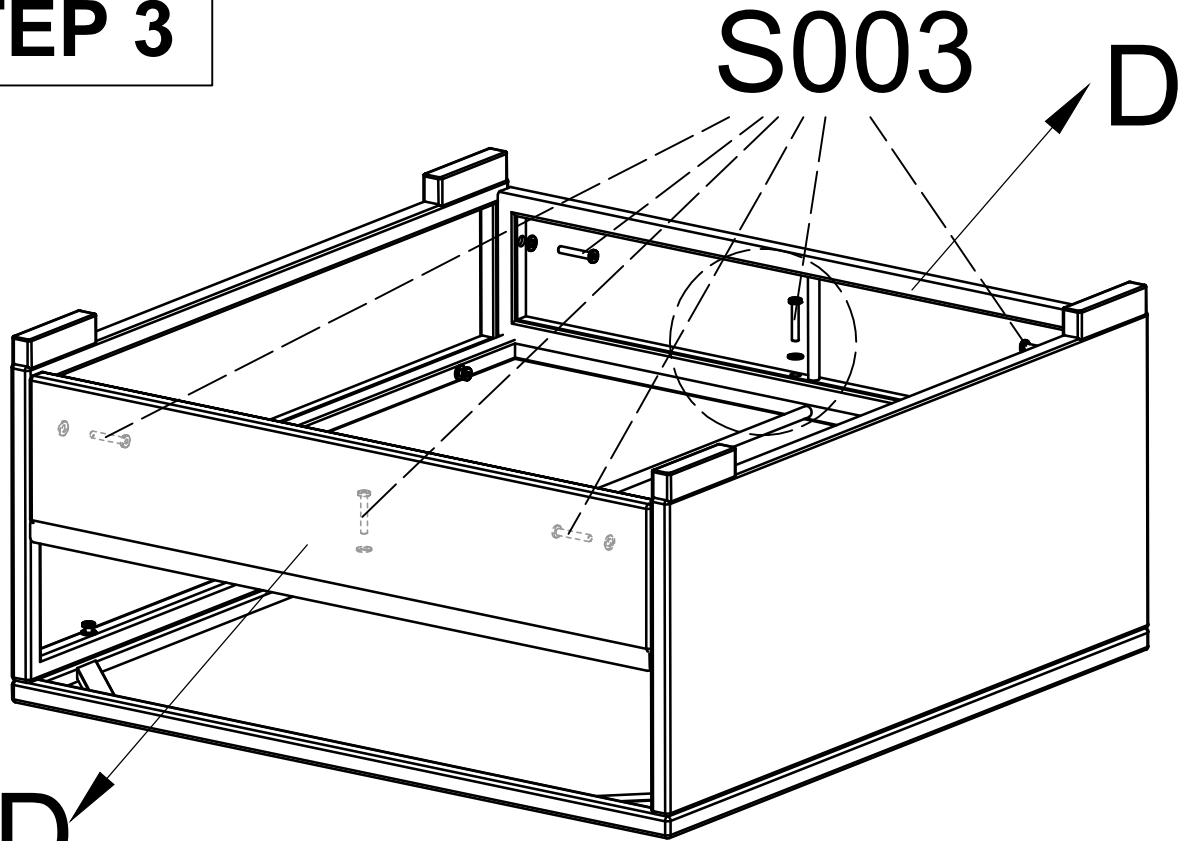
B



Do Not Tighten The Screws Completely!

Table

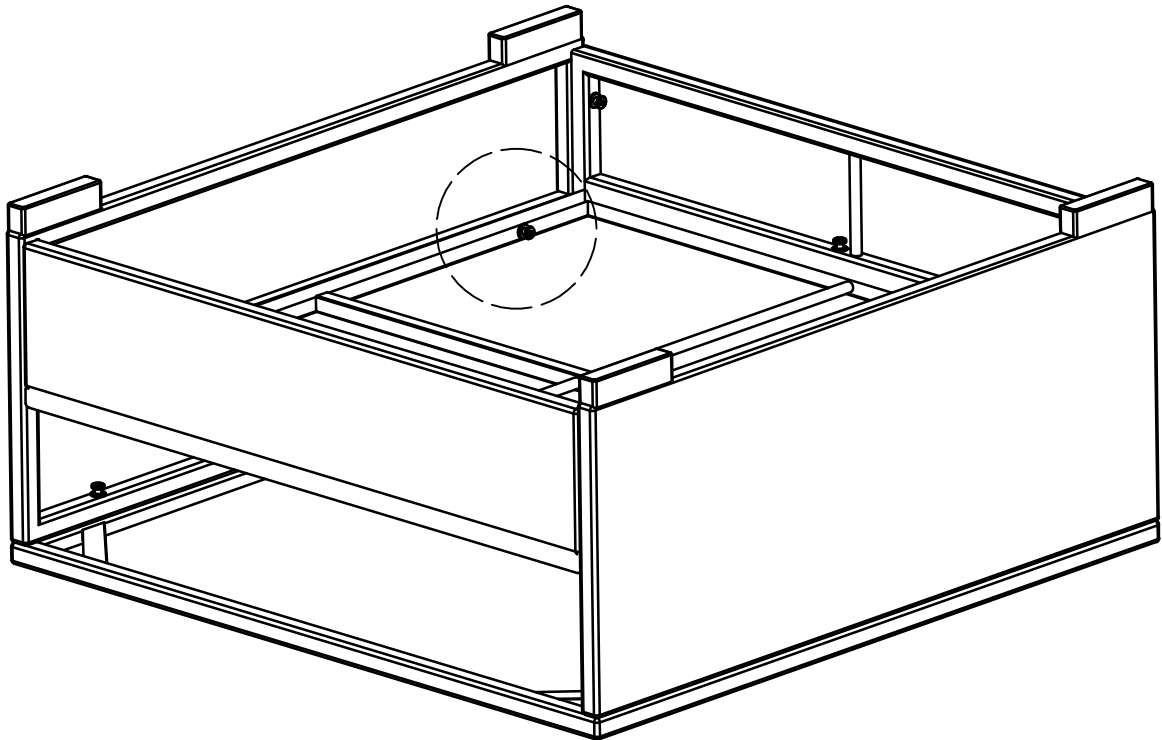
STEP 3



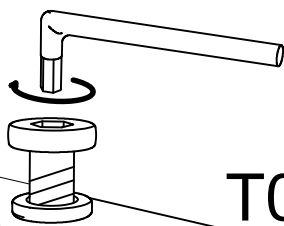
Do Not Tighten The Screws Completely!

Table

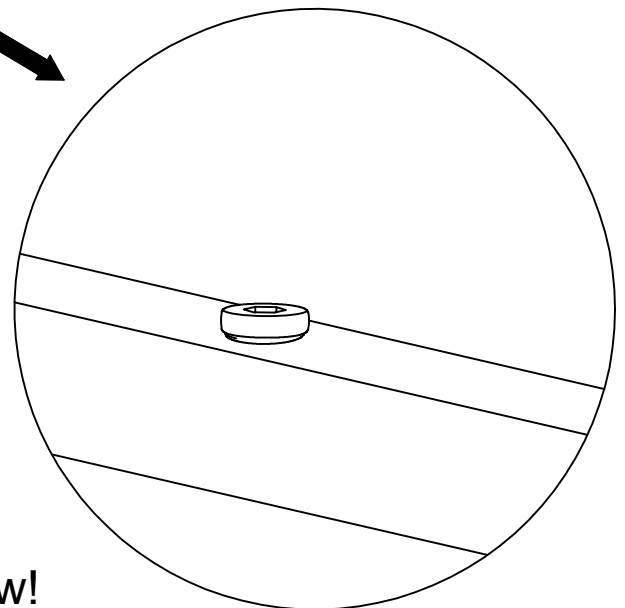
STEP 4



14x



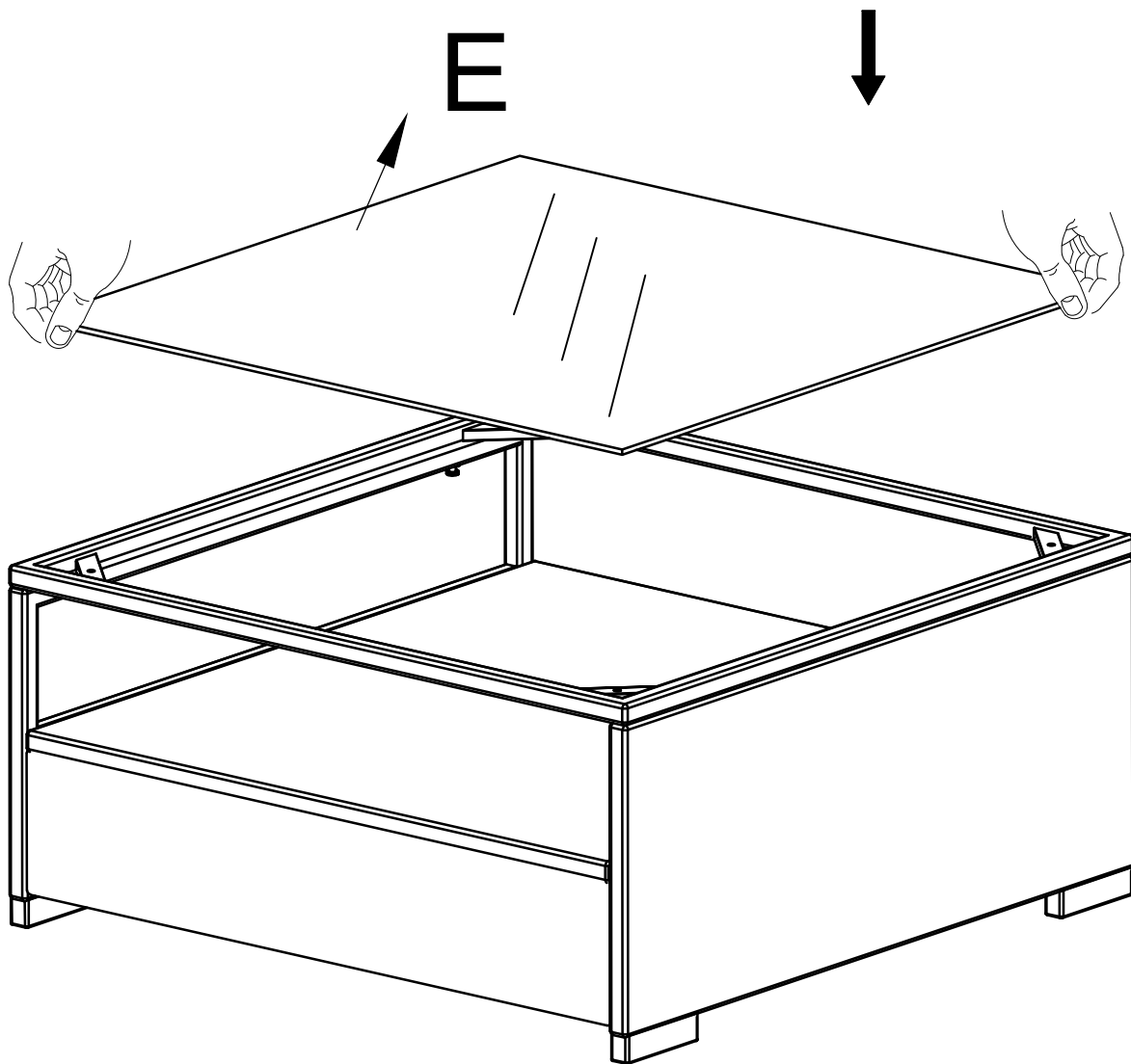
T001



Tighten The Screws Completely Now!

Table

STEP 5





You might need plastic clips to connect each sofa after all assembling.

