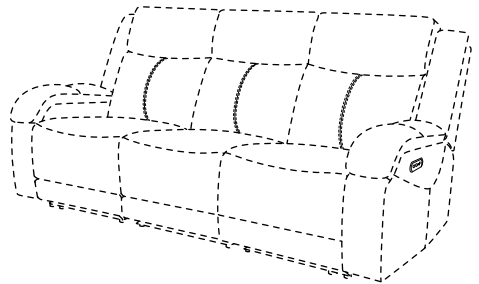
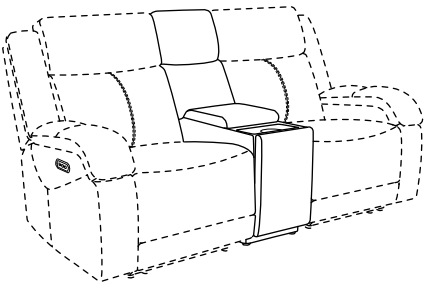
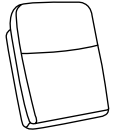
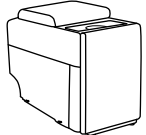
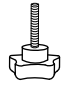
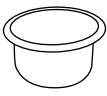



Console Assembly Manual

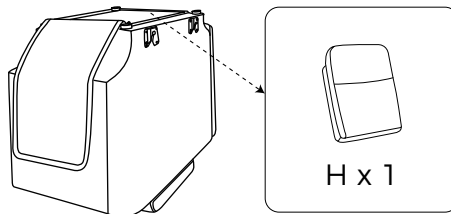


THIS ASSEMBLY MANUAL CONTAINS IMPORTANT SAFETY INFORMATION.
PLEASE READ AND KEEP FOR FUTURE REFERENCE.

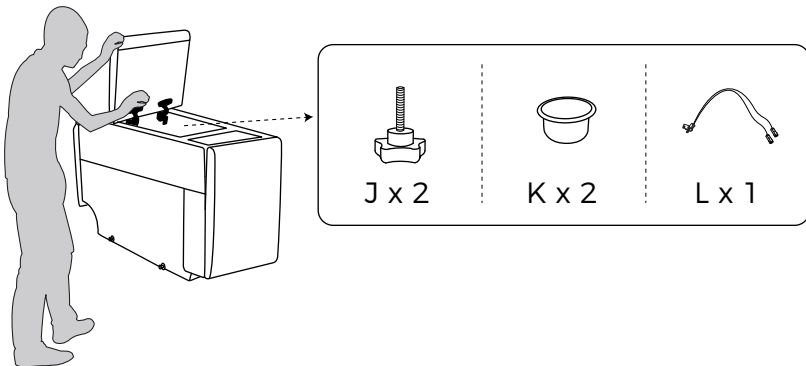
Parts

<p>H</p>  <p>Back</p>	<p>I</p>  <p>Seat</p>	<p>J</p>  <p>Screw</p>
<p>K</p>  <p>Cup holder</p>	<p>L</p>  <p>2-Y Cable</p>	

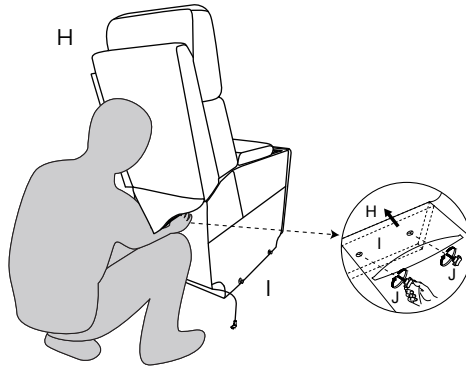
Before you begin: Unzip the bottom of console and take out the Back (H).



Step 1: Open the lid of the storage of the console and take out the Screws (J), Cup holders (K), and 2-Y Cable (L).

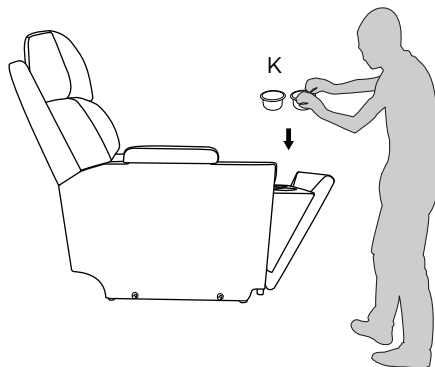


Step 2: Secure the Back (H) and Seat (I) by screws.

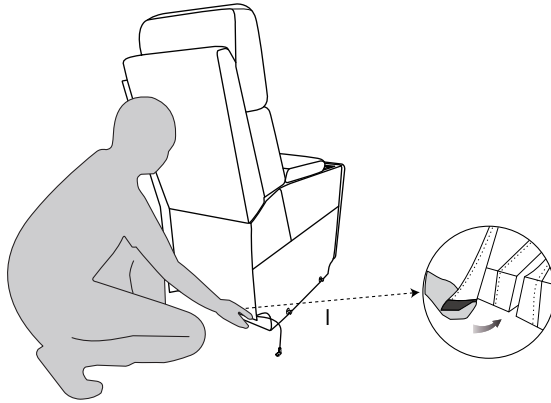


Step 3: Open the front side of the Console and install the cup holders (K).

Attention: When installing the cup holder, please make sure to push it all the way in with force. When the cup holder is in a loose state, it may get stuck in the front baffle, causing the Console to fail to open and close properly. Then open it when you need to use it and close it when you don't.

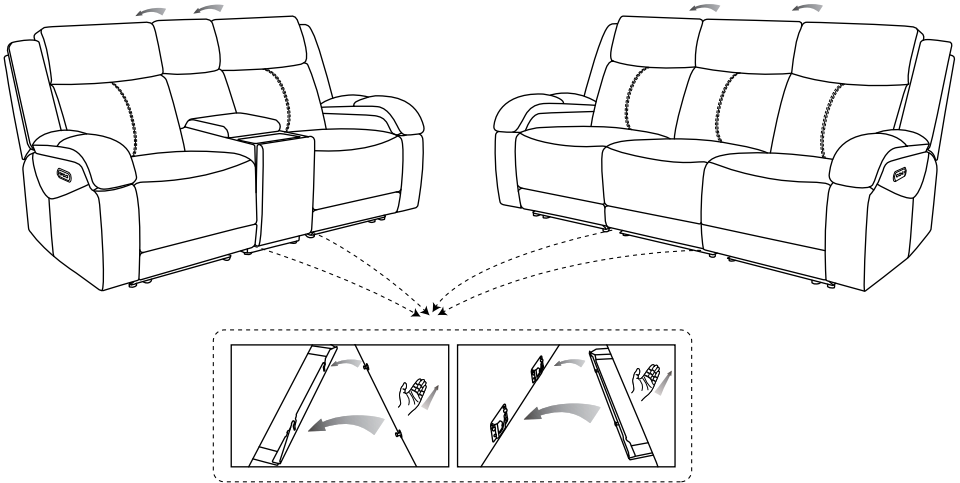


Step 4: Attach the back cover to the bottom of the Seat (I) with Velcro.

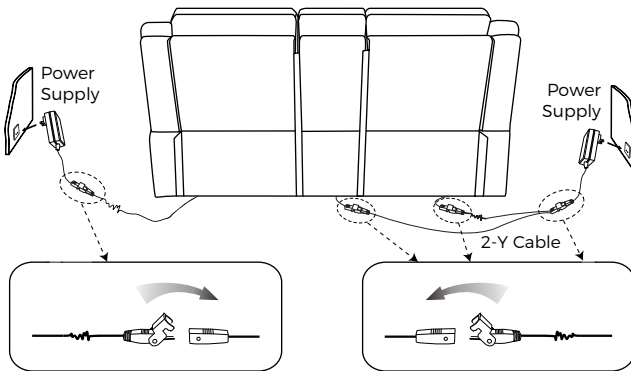


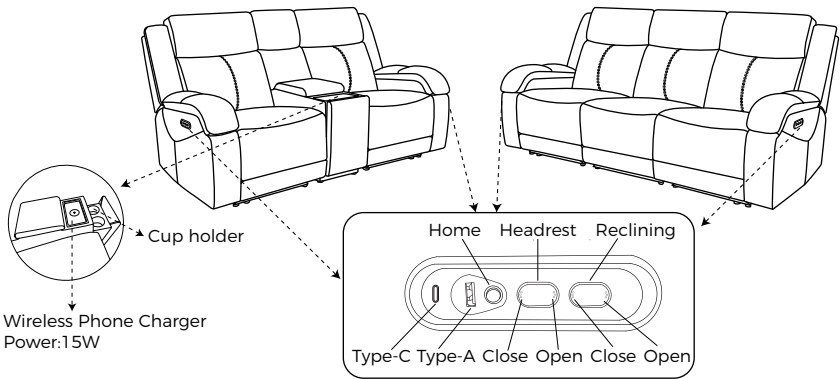
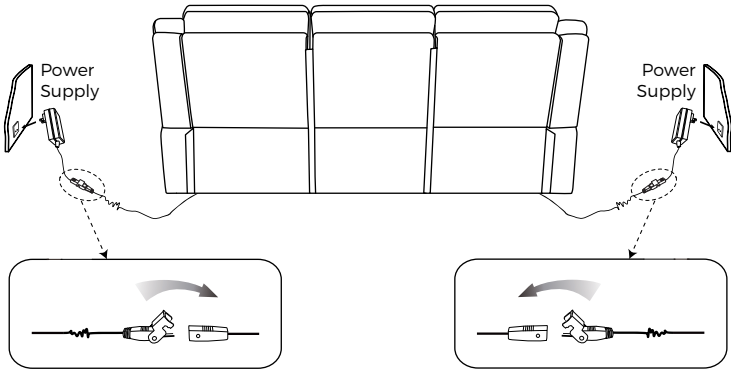
How to Connect

Step 1: Attach each piece with brackets on the side. Kindly note to attach from Right hand to Left hand.



Step 2: Using 2-Y cable (from Console parts) to connect your Console and Power Left Recliner together. Plug the Power Supply into the power outlet.





How to operate