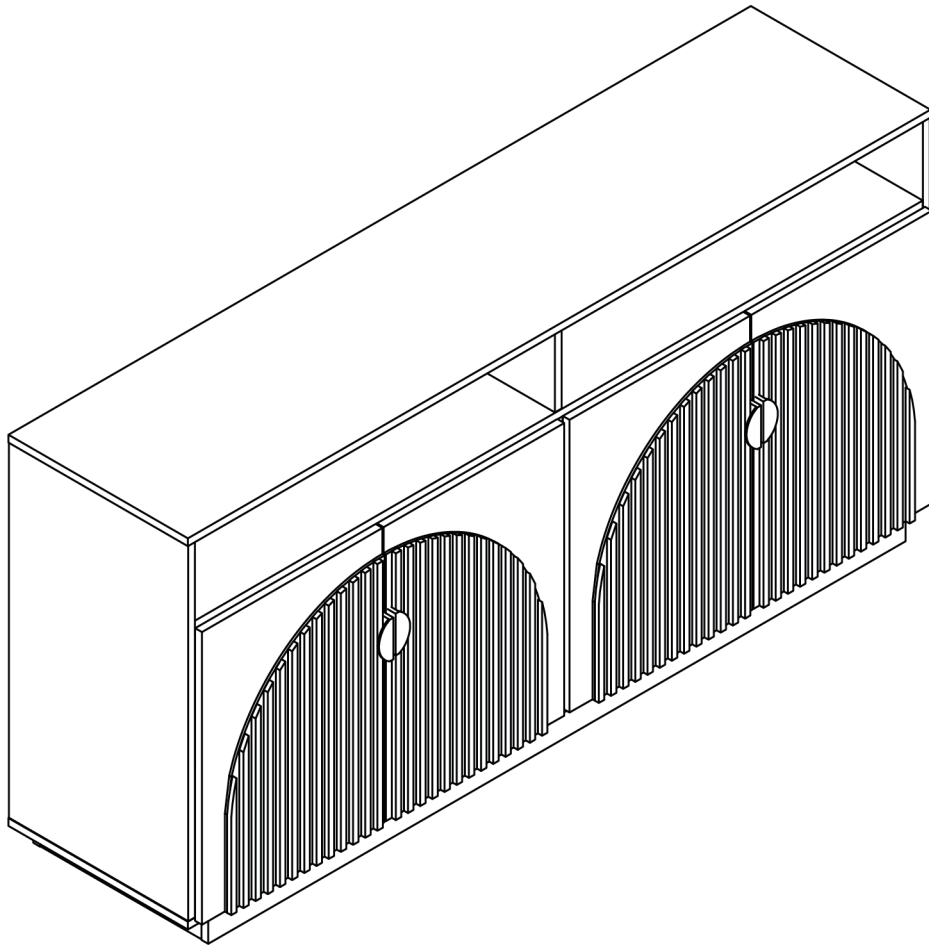


# Stacked TV Stand



**BELLEZE<sup>®</sup>**

**FOLLOW US:**



@bellezefurniture

**CONTACT INFO:**

support@belleze.com  
1-800-682-6376

**ITEM NO. 014-HG-41033**

The instruction booklet contains **IMPORTANT** safety information. Please read it in full and keep it for future reference.

[www.belleze.com](http://www.belleze.com)

Scan this QR Code  
to view our online tutorial

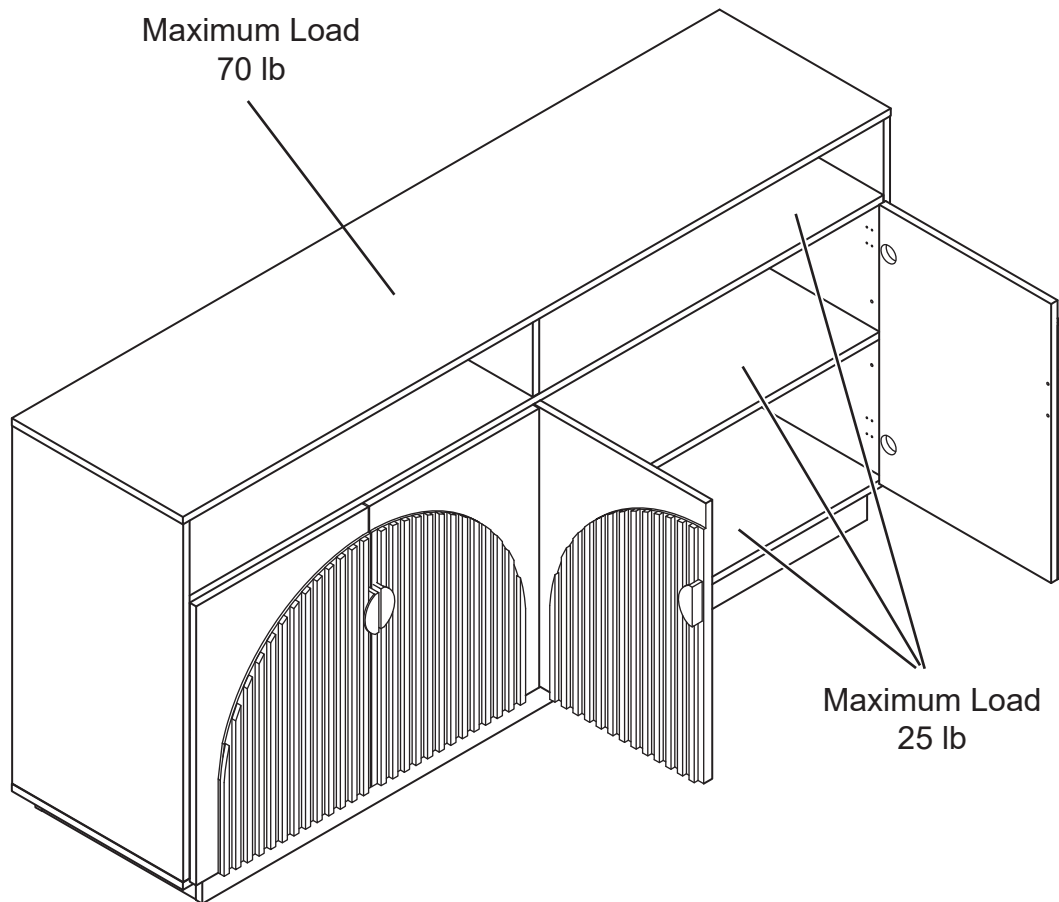


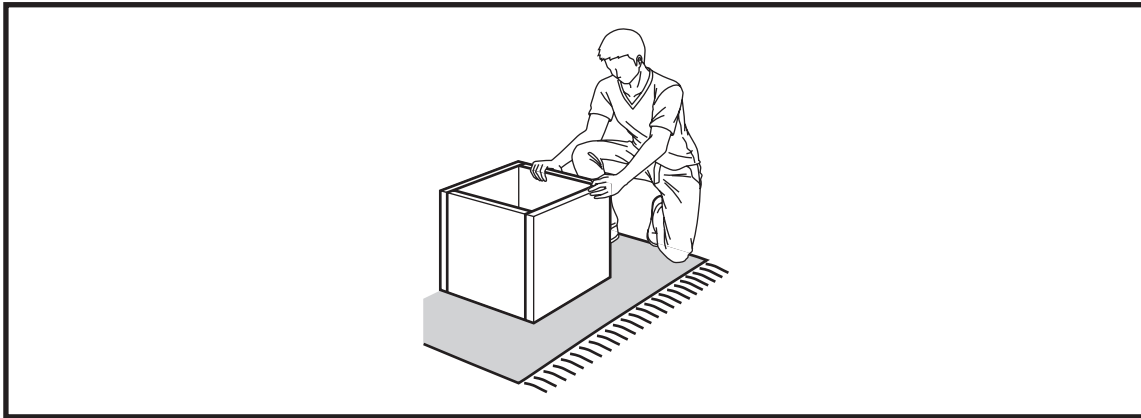
Estimated time for assembly:

**100 mins**



Weight limitations are as follows:

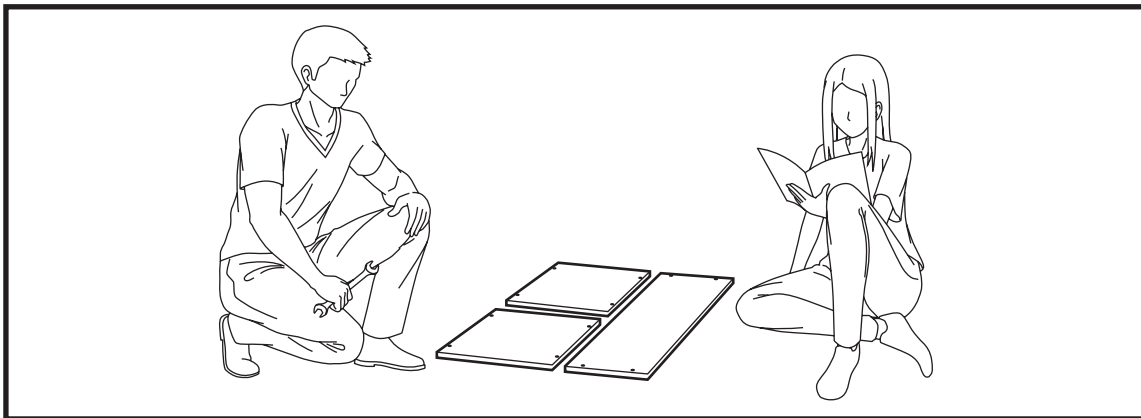




Assemble the furniture on an empty carton, carpet, or rug to prevent scratches or damage.

For safety, please keep pets and children away from the assembly area.

Ensure the product is fully assembled before use. If you are missing any hardware or products, do not use it until you have restored the missing parts.



This furniture requires 2 people for assembly.

Read this instruction manual prior to assembly to familiarize yourself with the various steps.

Lay out all components and hardware separately on a flat surface and make sure that no parts are missing or damaged before assembly. Do not destroy or discard any packaging until you are certain that you have all the necessary parts for assembly.

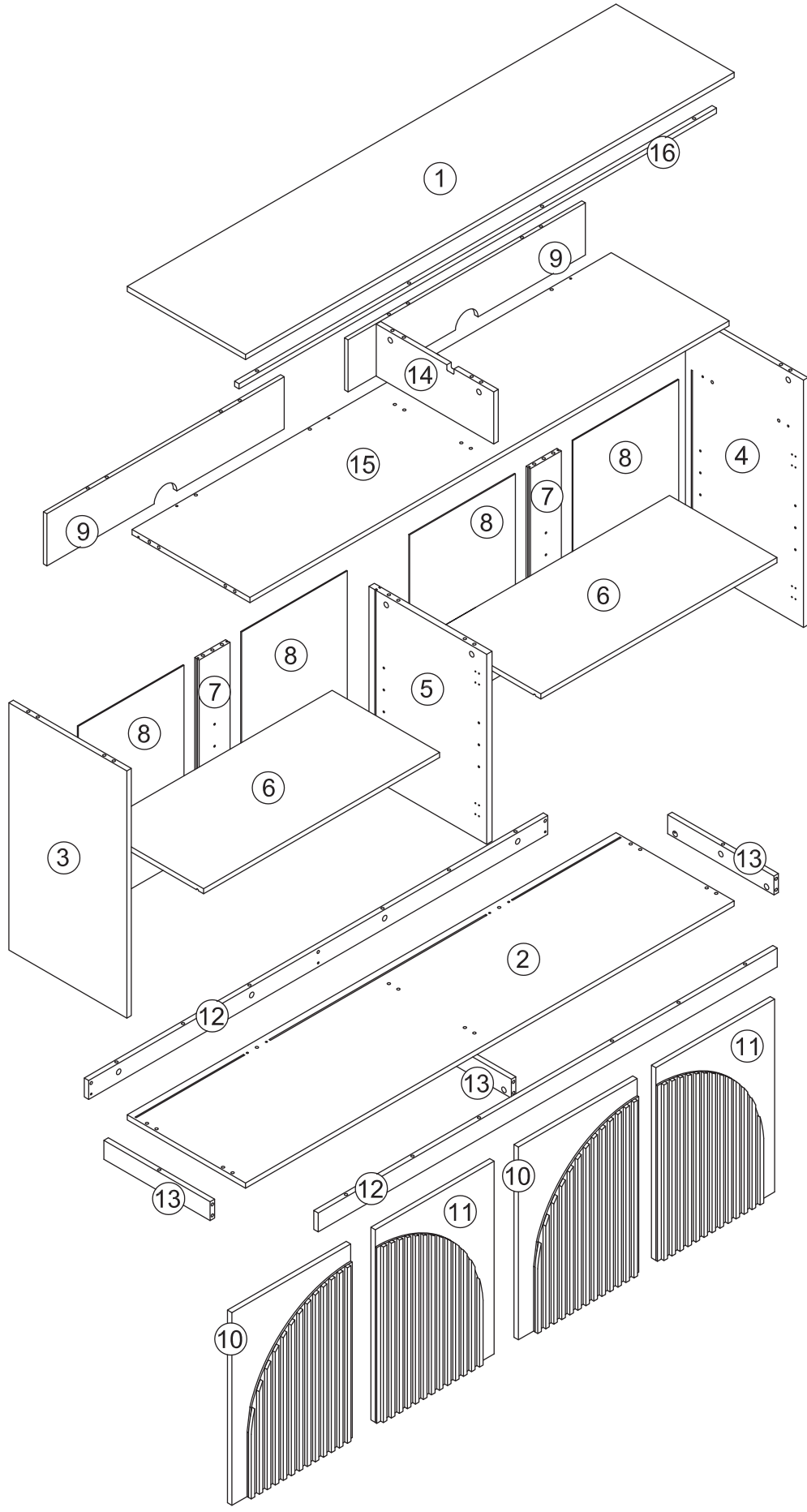
Hand tight all hardware and careful not to over tighten to avoid damaging the product.

## **CAUTION**

There are small components used in the construction of this product. Loose items should be kept away from pets and children to avoid a choking hazard.

Keep all plastic bags and packaging film away from pets and children to avoid suffocation.

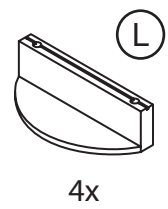
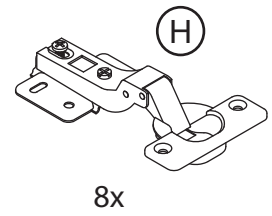
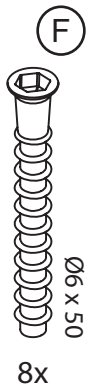
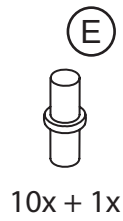
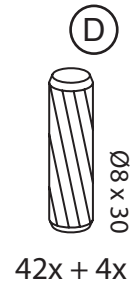
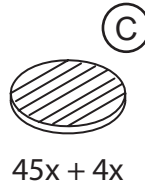
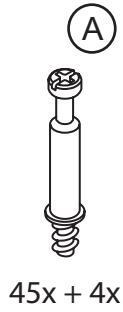
# PACKAGE CONTENTS



## PACKAGE CONTENTS

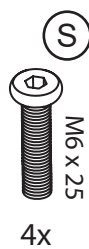
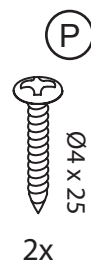
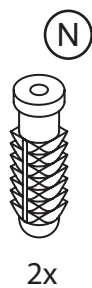
CODE	DESCRIPTION	QTY
1	Top Panel	1
2	Bottom Panel	1
3	Left Lateral Panel	1
4	Right Lateral Panel	1
5	Medial Panel	1
6	Storage Shelf Panel	2
7	Back Support Panel	2
8	Back Panel	4
9	Top Back Panel	2
10	Left Cabinet Door	2
11	Right Cabinet Door	2
12	Long Base Strip	2
13	Short Base Strip	3
14	Top Divider Panel	1
15	Center Panel	1
16	Crossbar	1

# PACKAGE CONTENTS

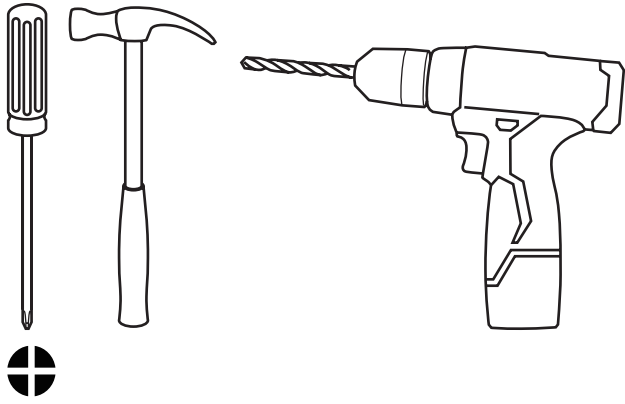


Install all hardware perpendicular to the opening.

# PACKAGE CONTENTS

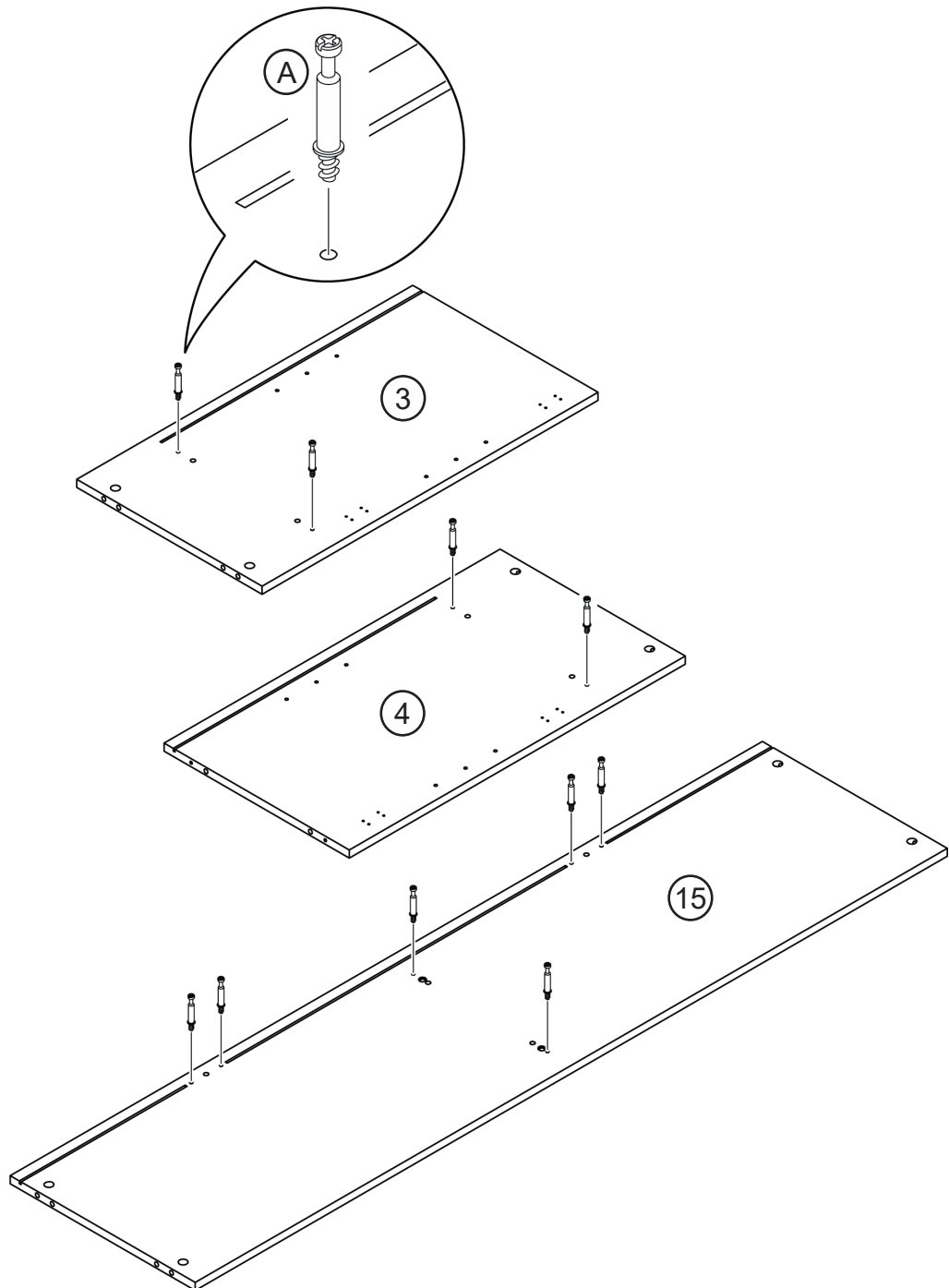
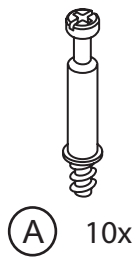


Required tools for assembly (Not included)



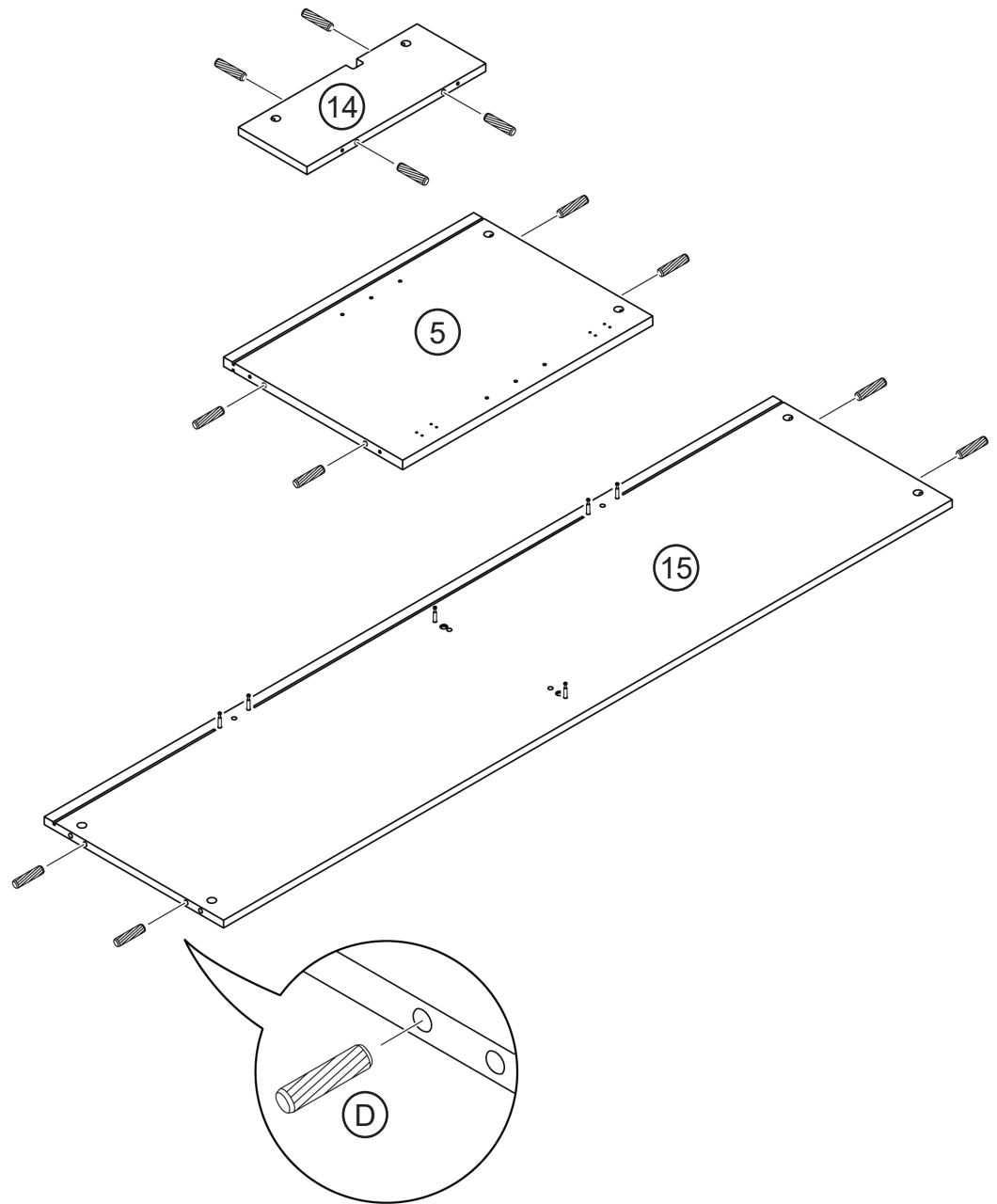
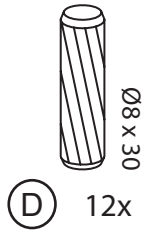
1

Attach cam bolts to the lateral panels (3, 4) and center panel (15).



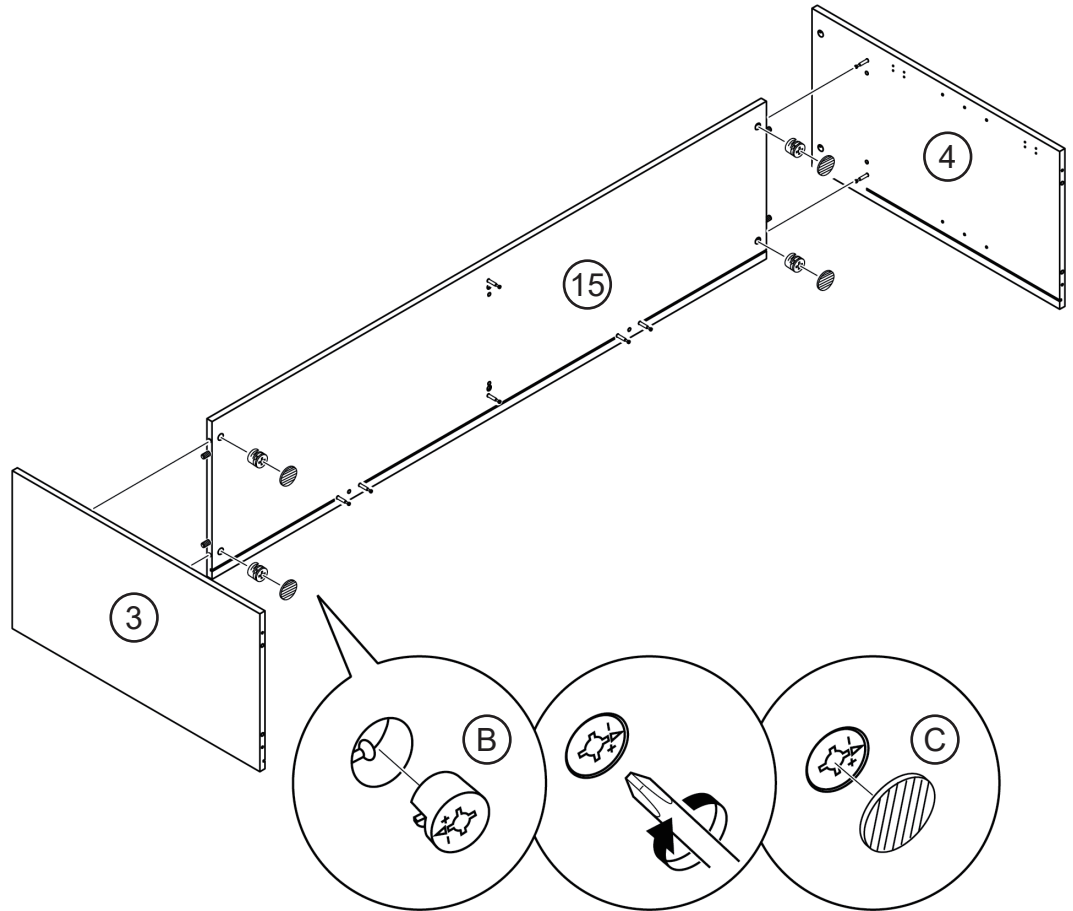
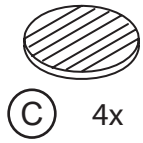
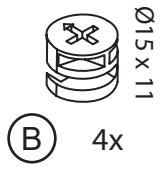
# 2

Insert wood dowels to the medial panel (5), top divider panel (14) and center panel (15).



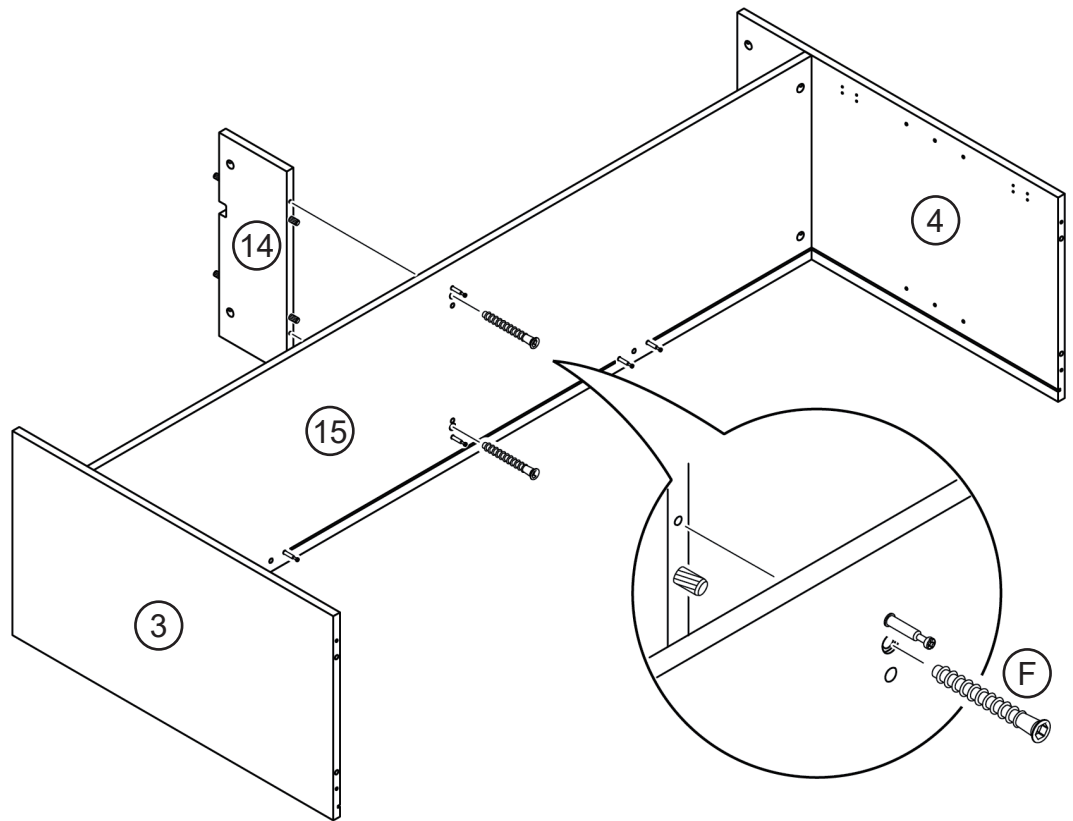
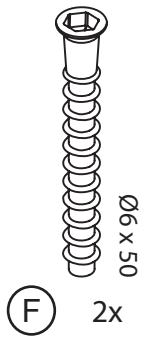
# 3

Assemble the center panel (15) between the lateral panels (3, 4).



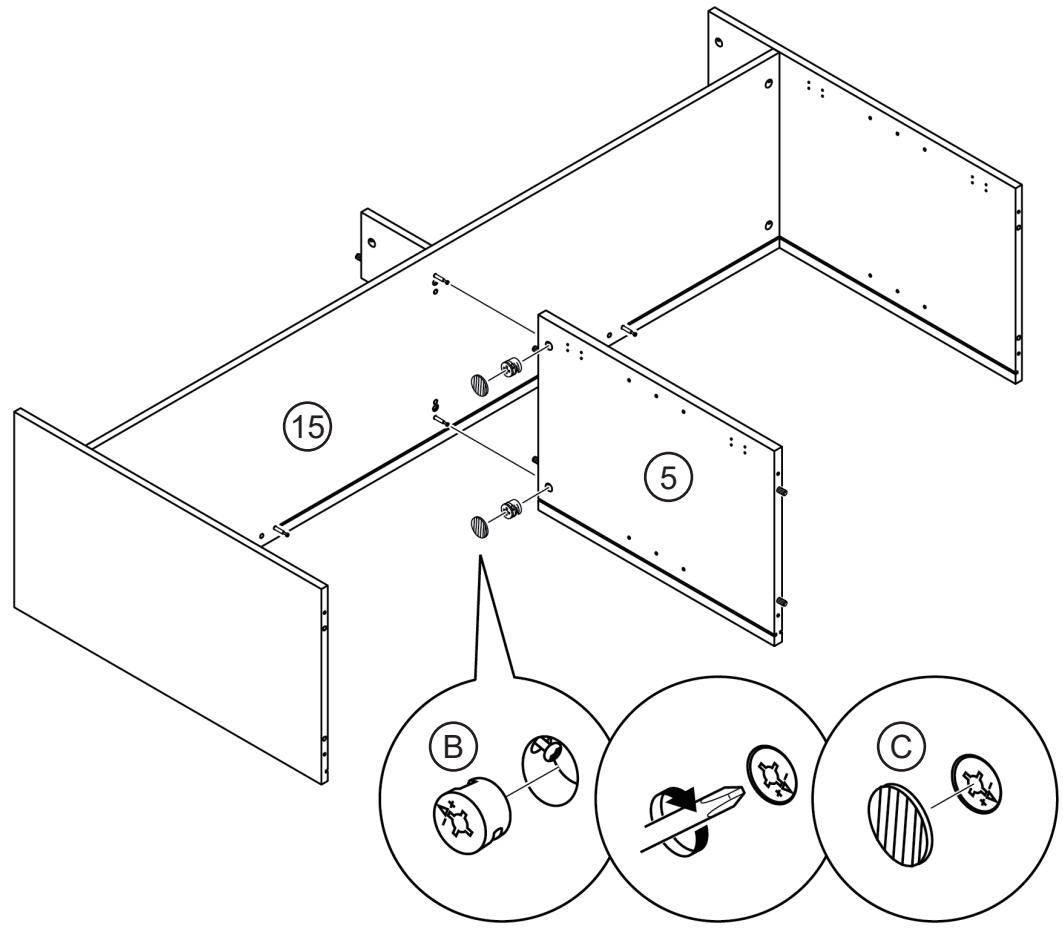
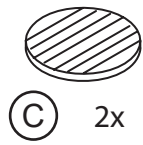
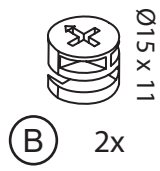
# 4

Assemble the top divider panel (14) on top of the center panel (15).



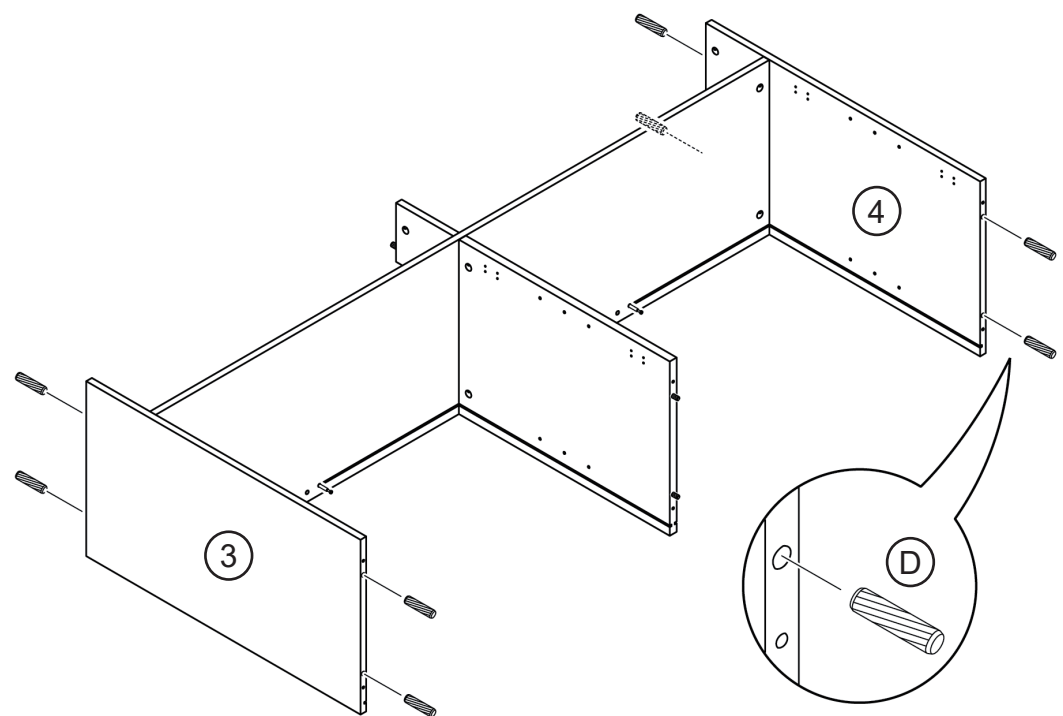
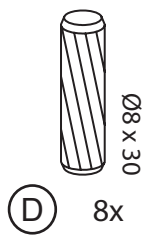
# 5

Assemble the medial panel (5) to the bottom of the center panel (15).



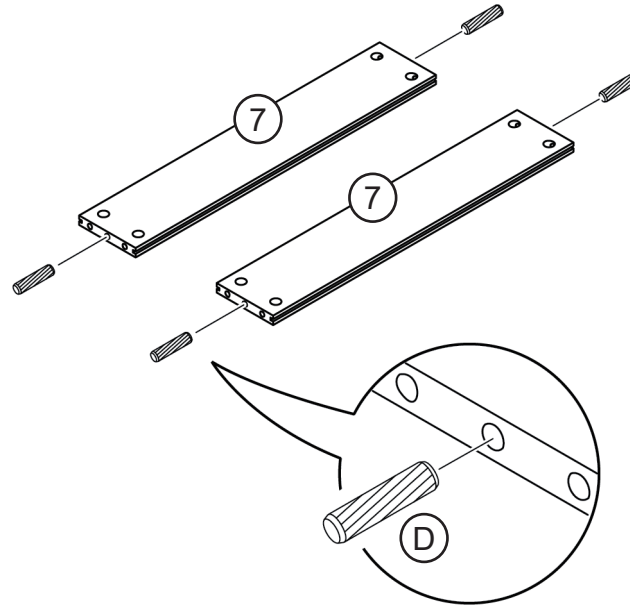
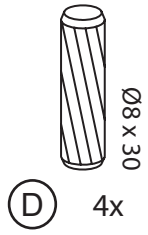
# 6

Insert wood dowels to the lateral panels (3, 4).



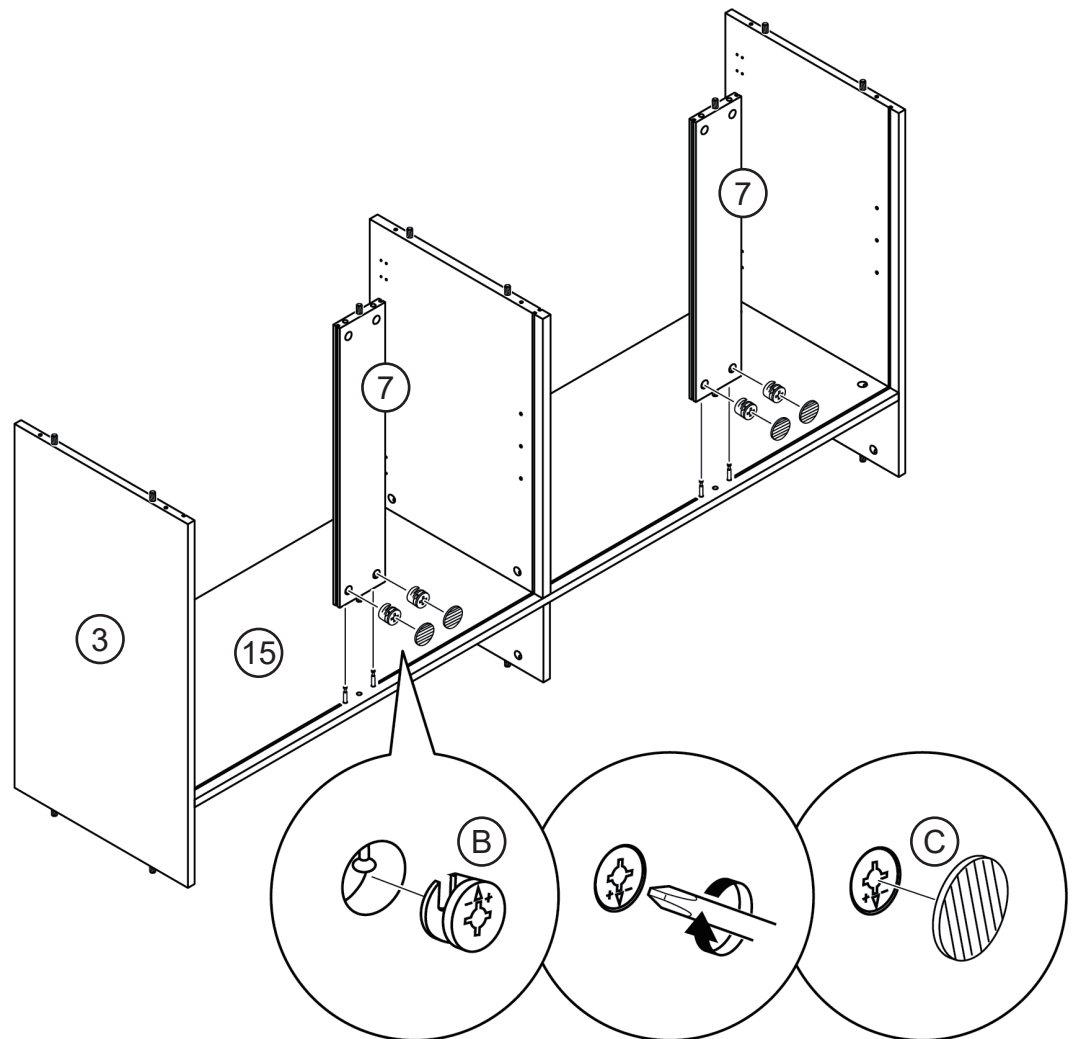
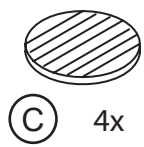
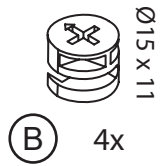
# 7

Insert wood dowels to the back support panels (7).



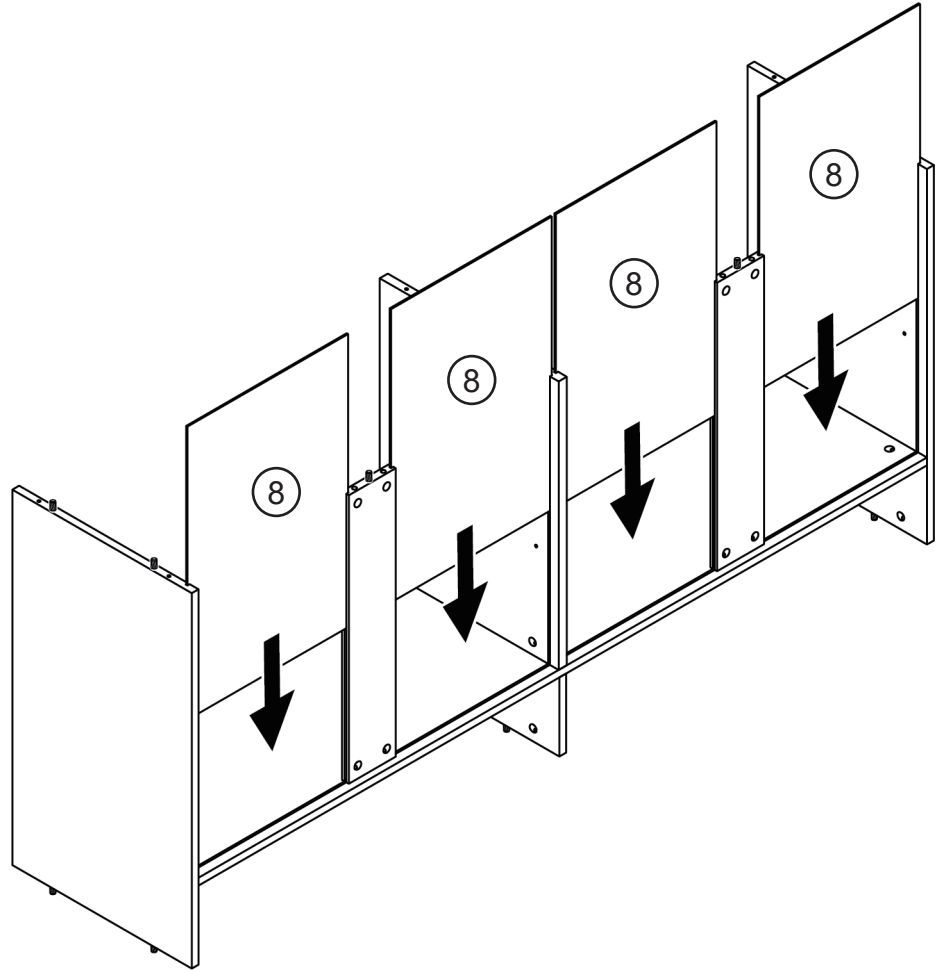
# 8

Assemble the back support panels (7) to the center panel (15).



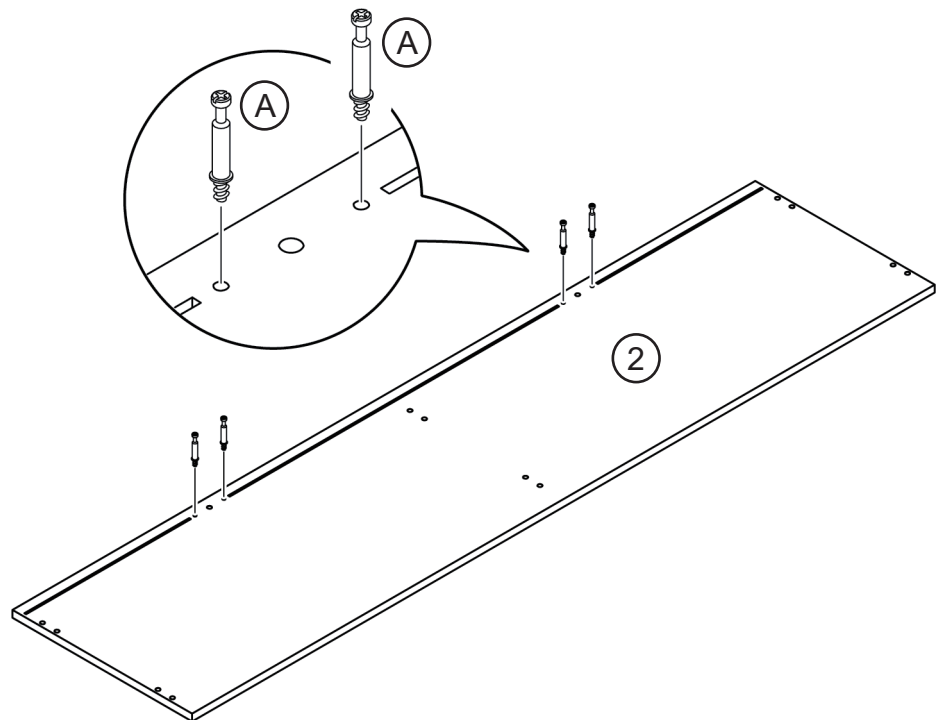
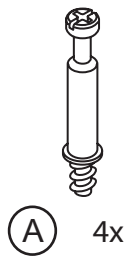
# 9

Slide in the back panels (8).



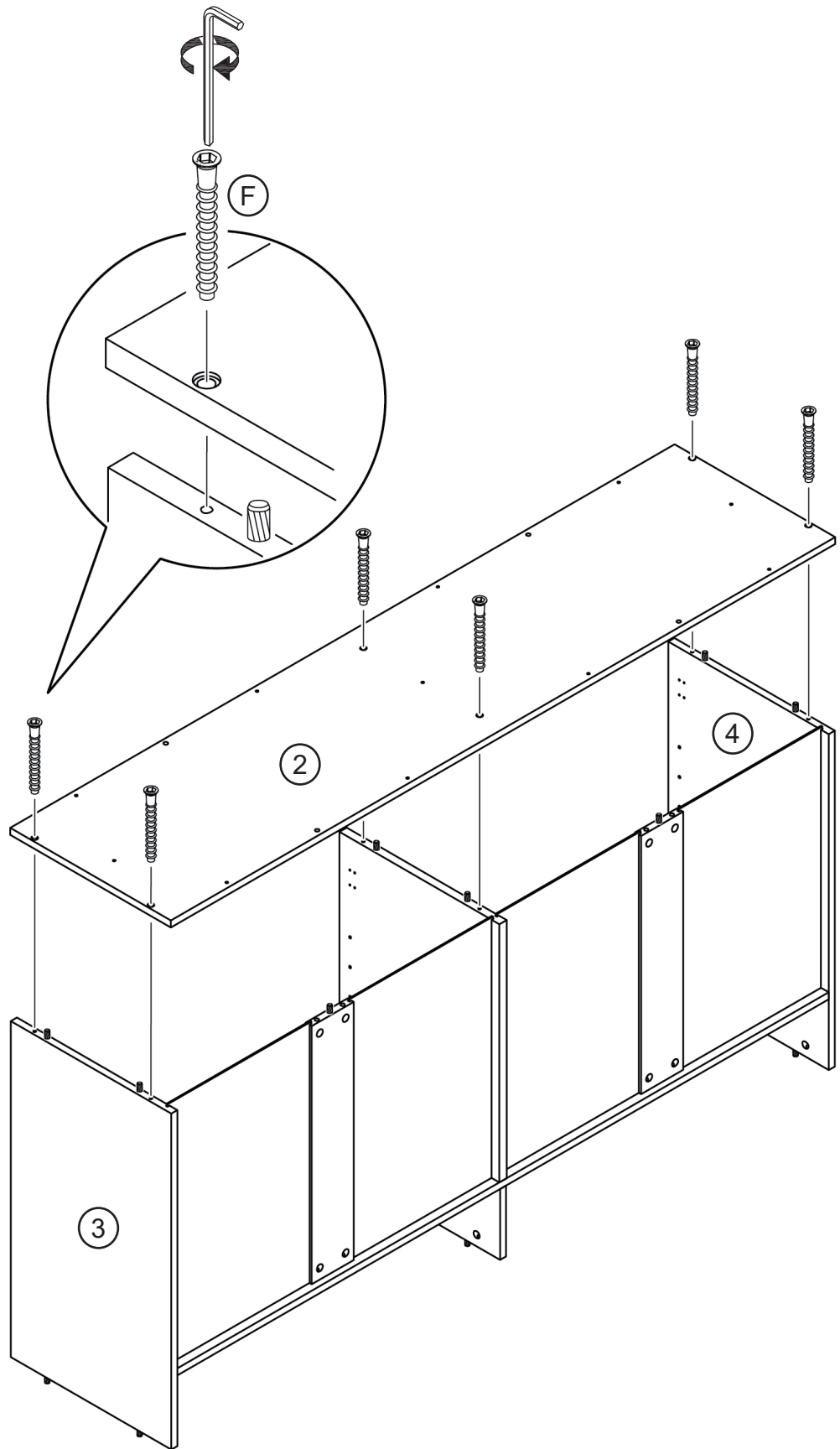
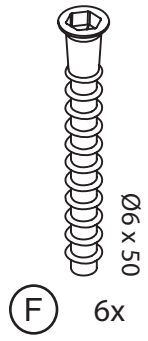
# 10

Attach cam bolts to the bottom panel (2).



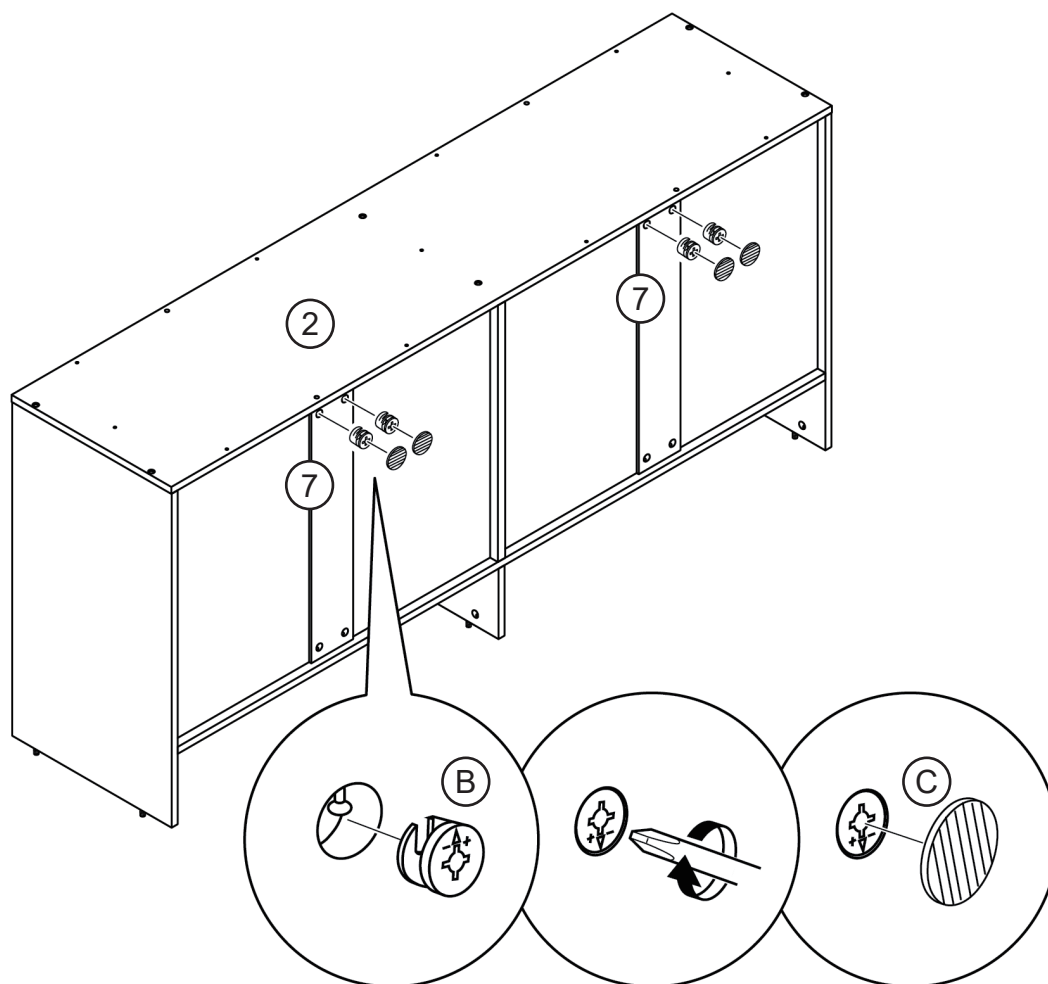
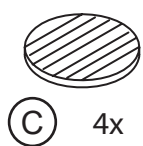
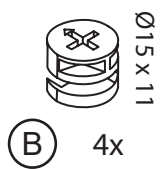
# 11

Assemble the bottom panel to the TV stand assembly.



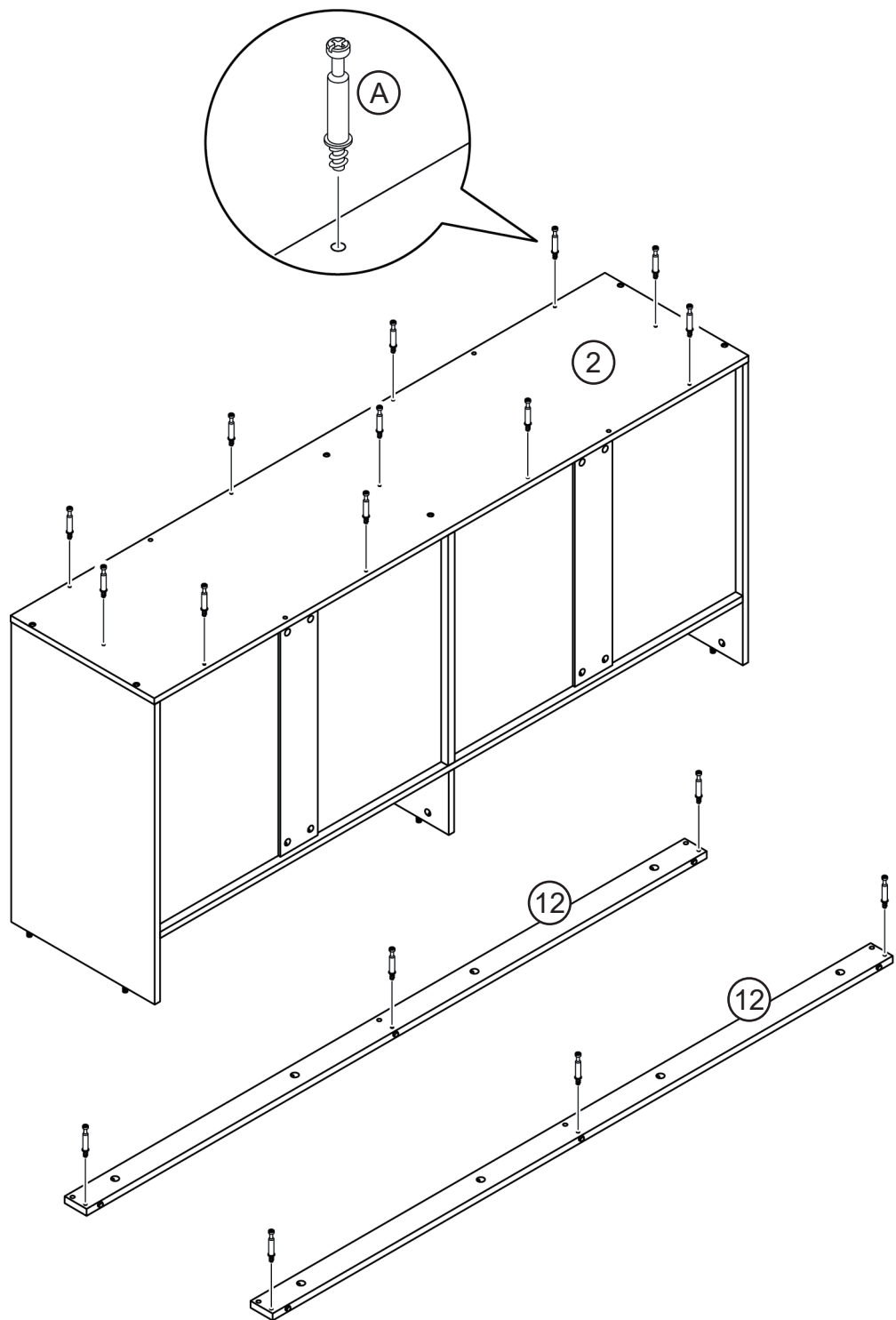
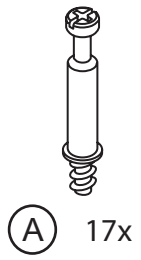
# 12

Secure the back support panels (7) to the bottom panel (2).



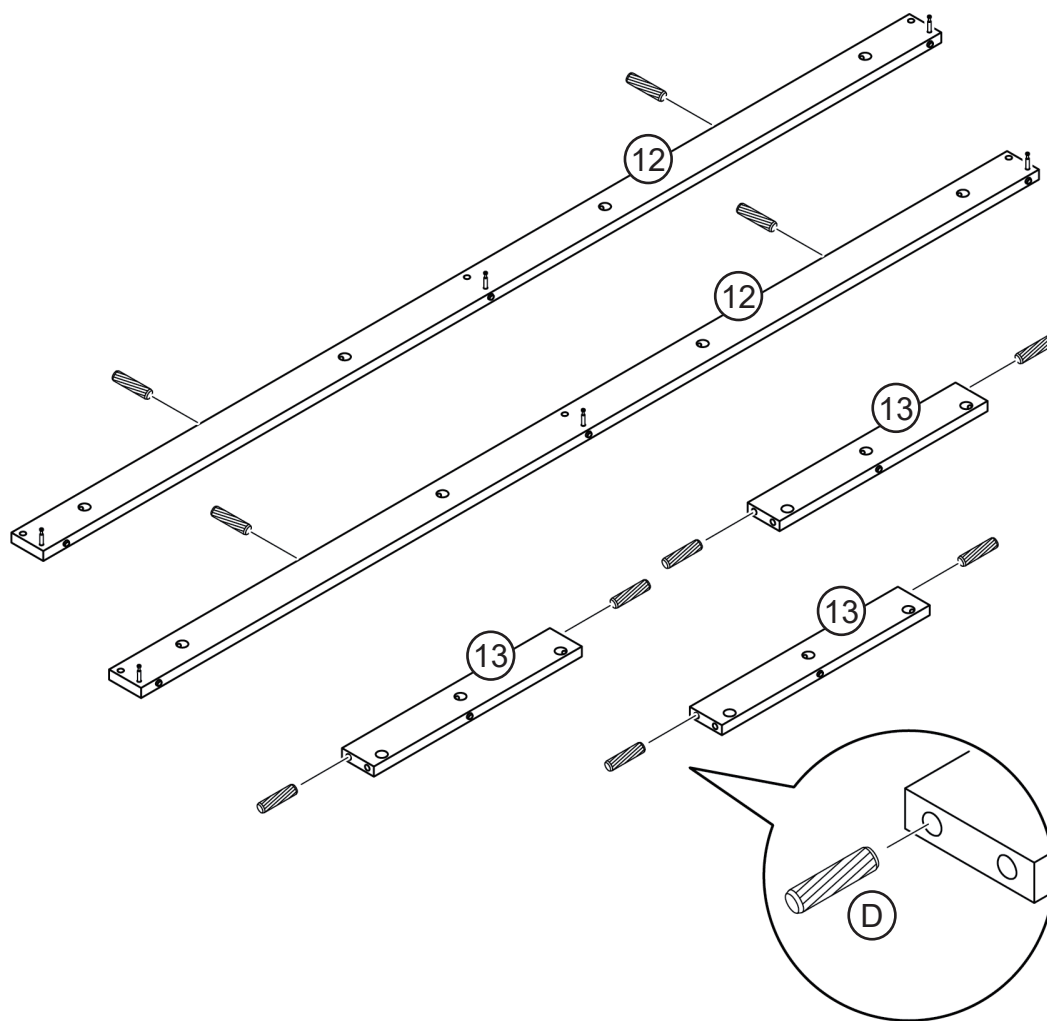
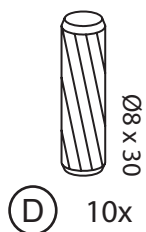
# 13

Attach cam bolts to the bottom panel (2) and long base strips (12).



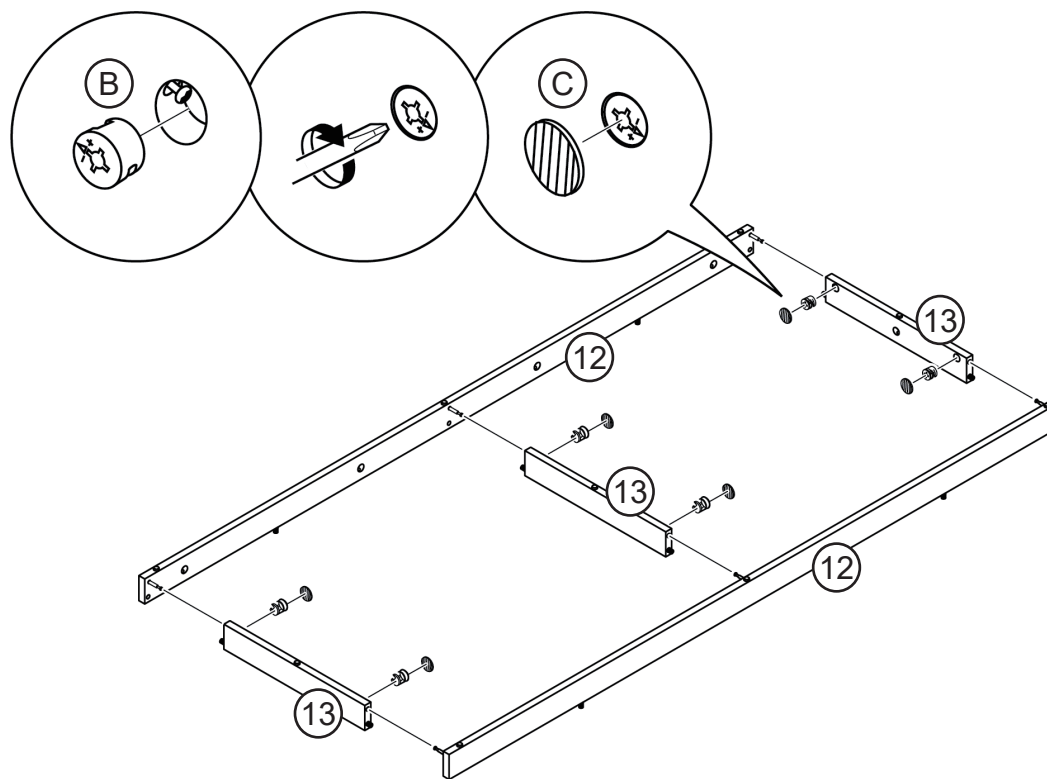
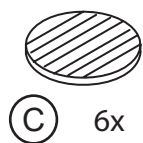
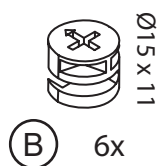
# 14

Insert wood dowels to all the base strips (12, 13).



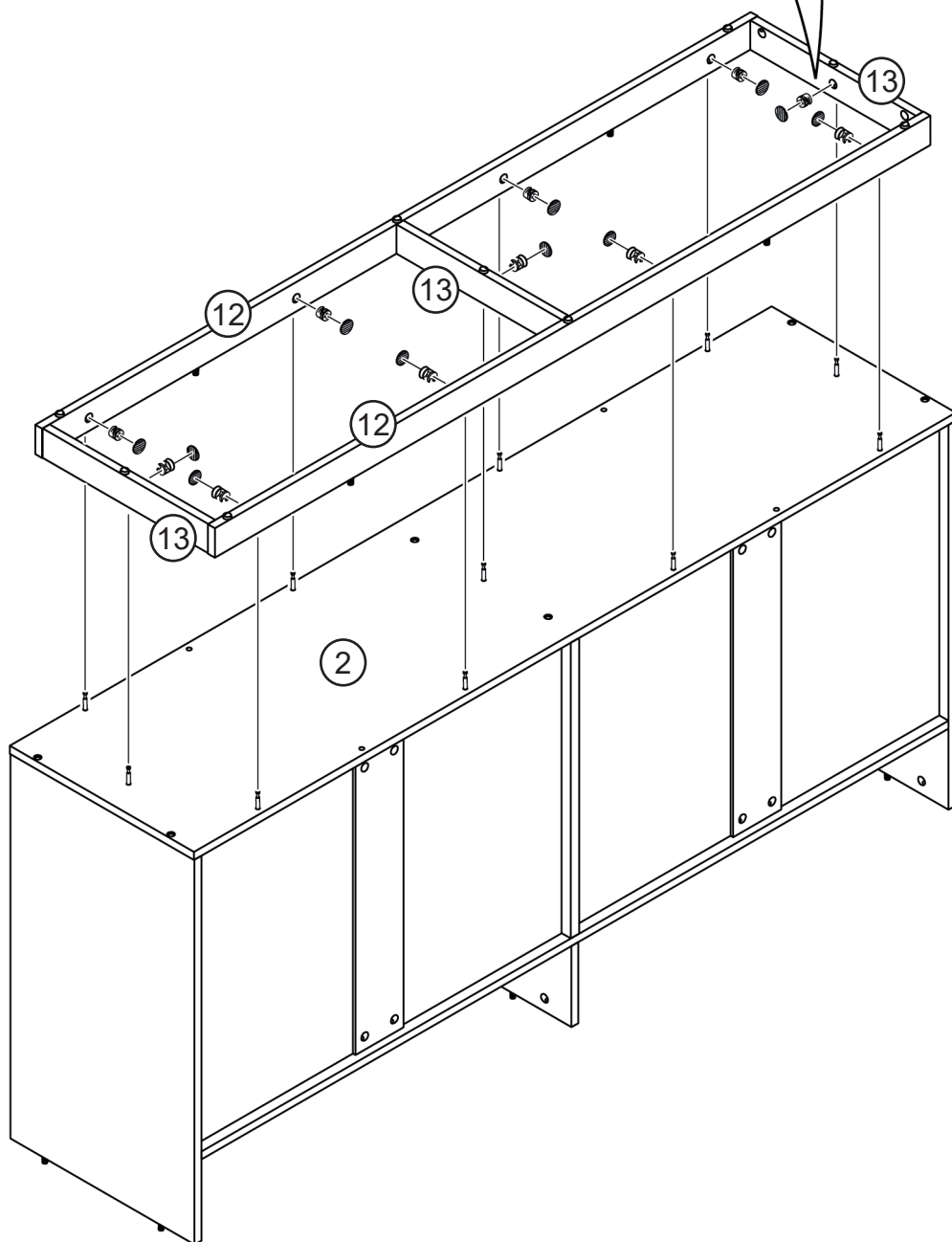
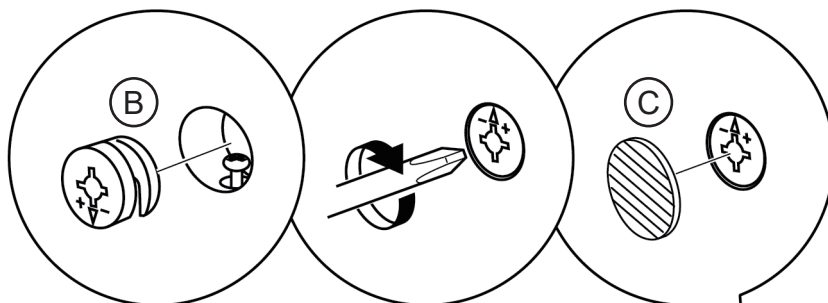
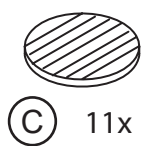
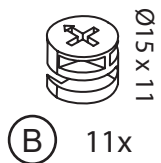
# 15

Assemble the short base strips (13) between the long base strips (12).



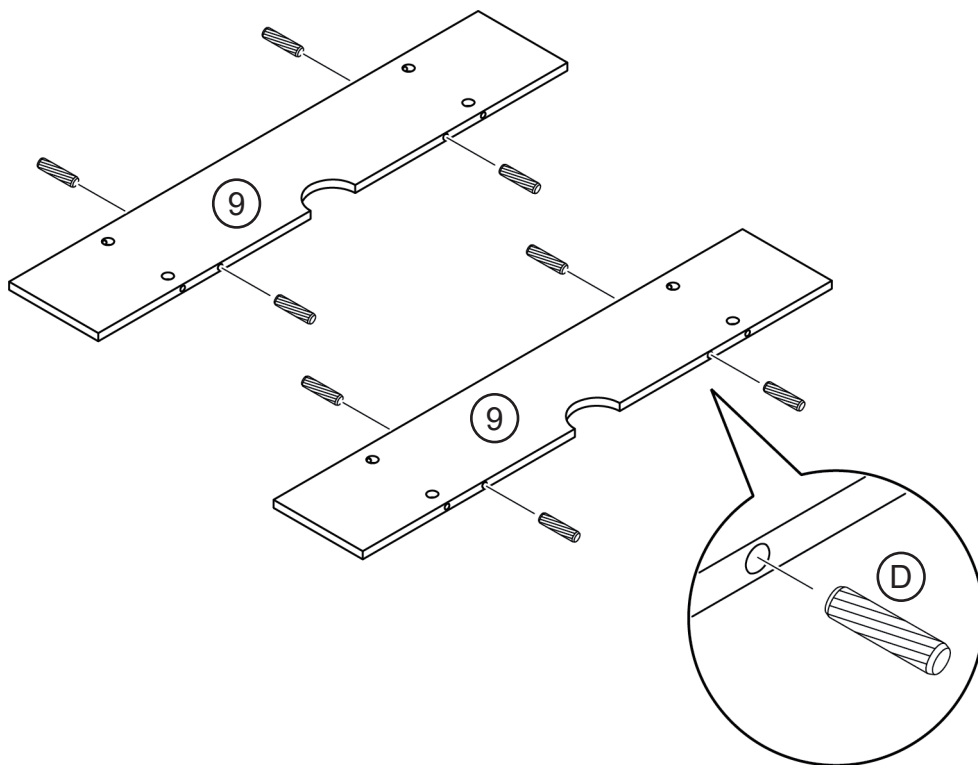
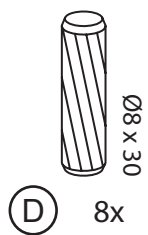
# 16

Assemble the base to the bottom panel.



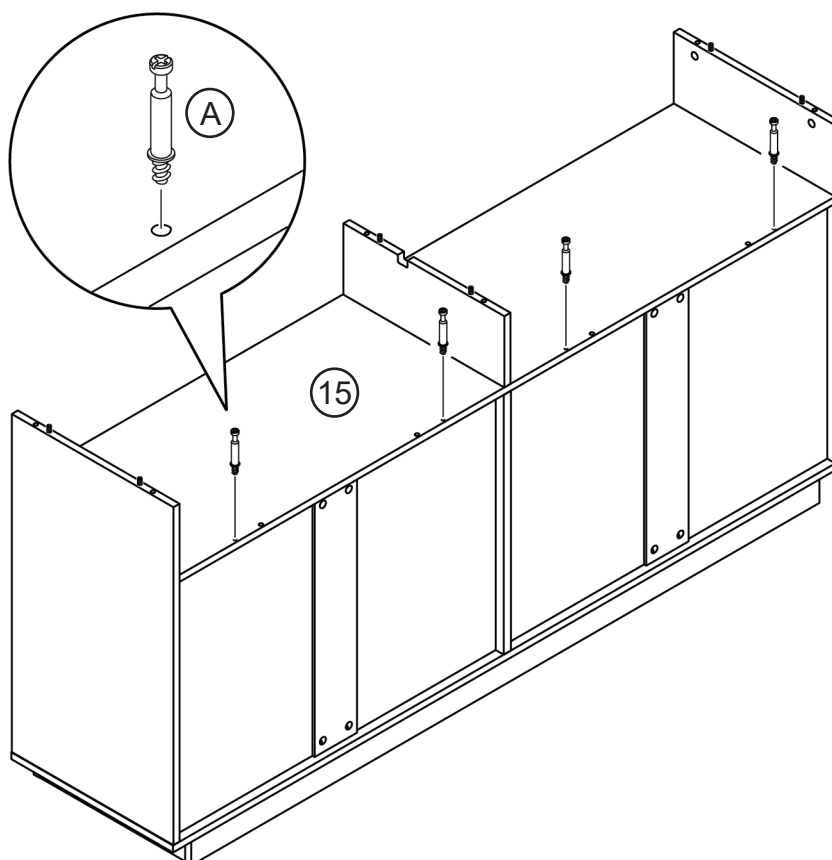
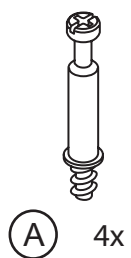
# 17

Insert wood dowels to the top back panels (9).



# 18

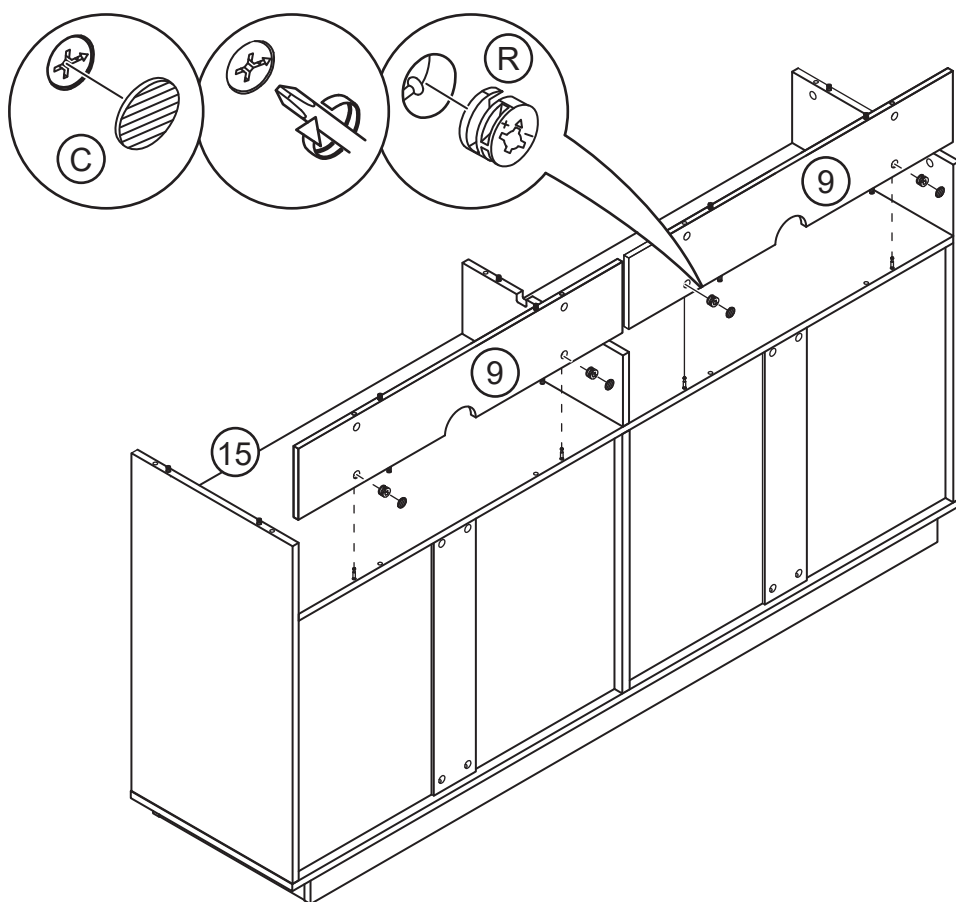
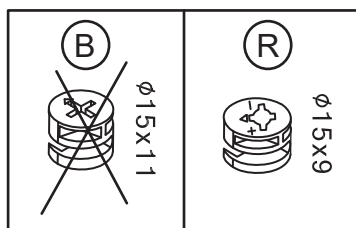
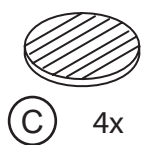
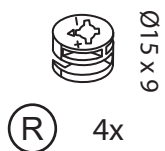
Attach cam bolts to the center panel (15).



# 19

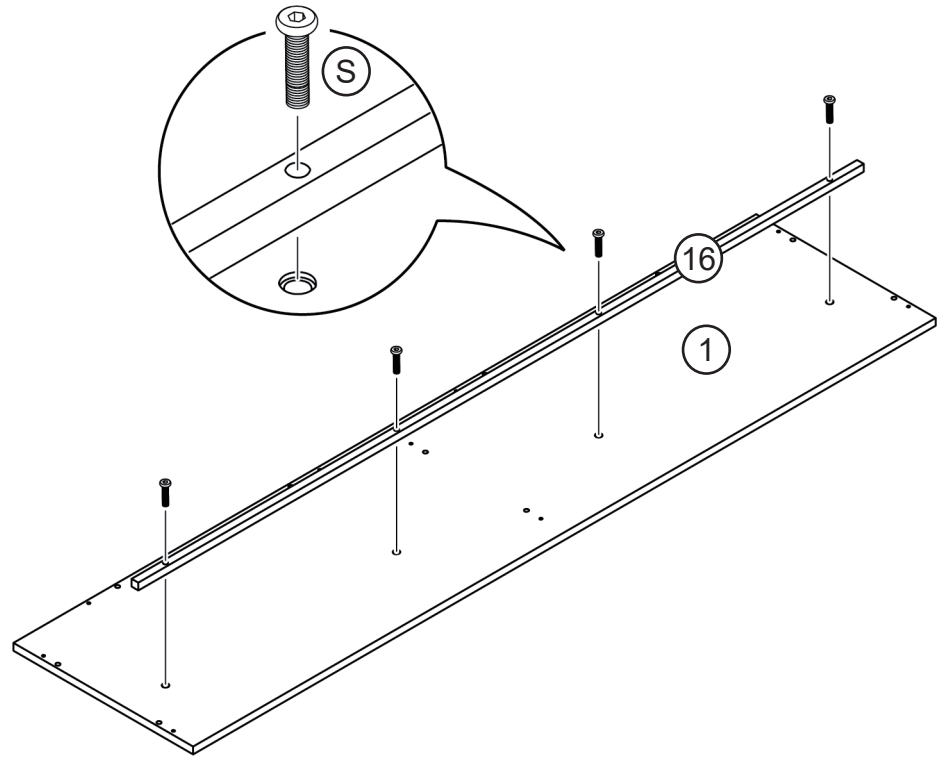
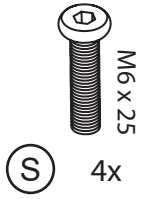
Assemble top back panels (9) on top of the center panel (15).

Note: Make sure to use the correct hardware.



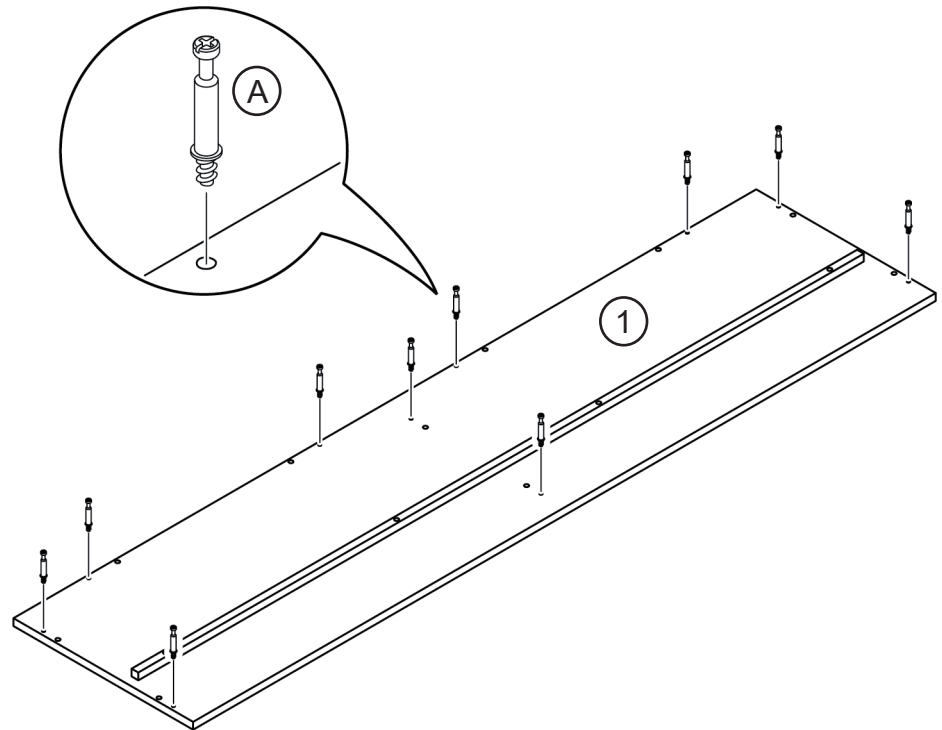
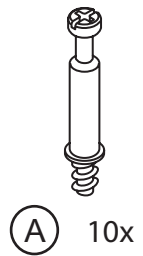
# 20

Attach crossbar (16) to the top panel (1).



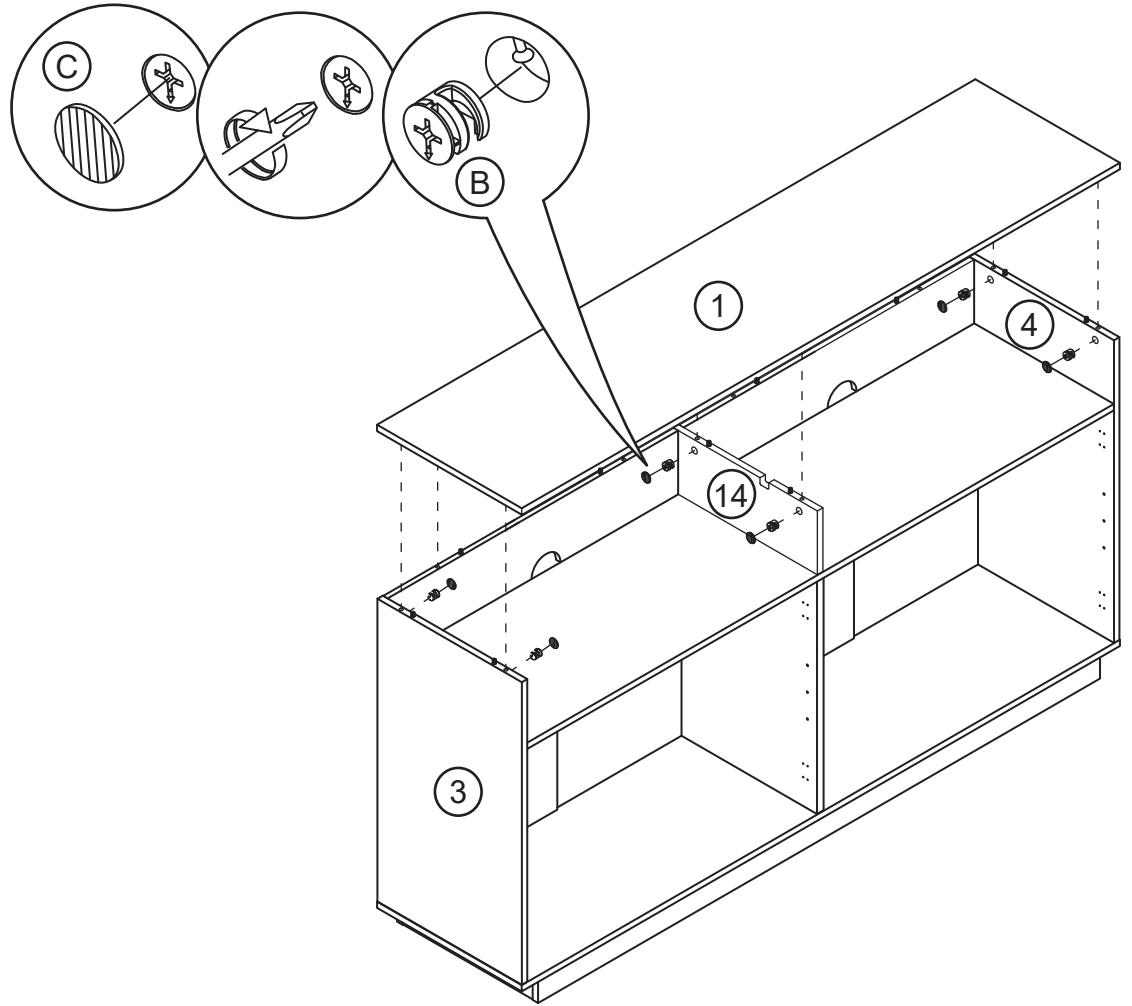
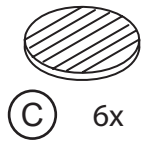
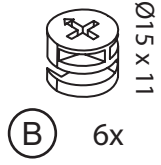
# 21

Attach cam bolts to the top panel (1).



# 22

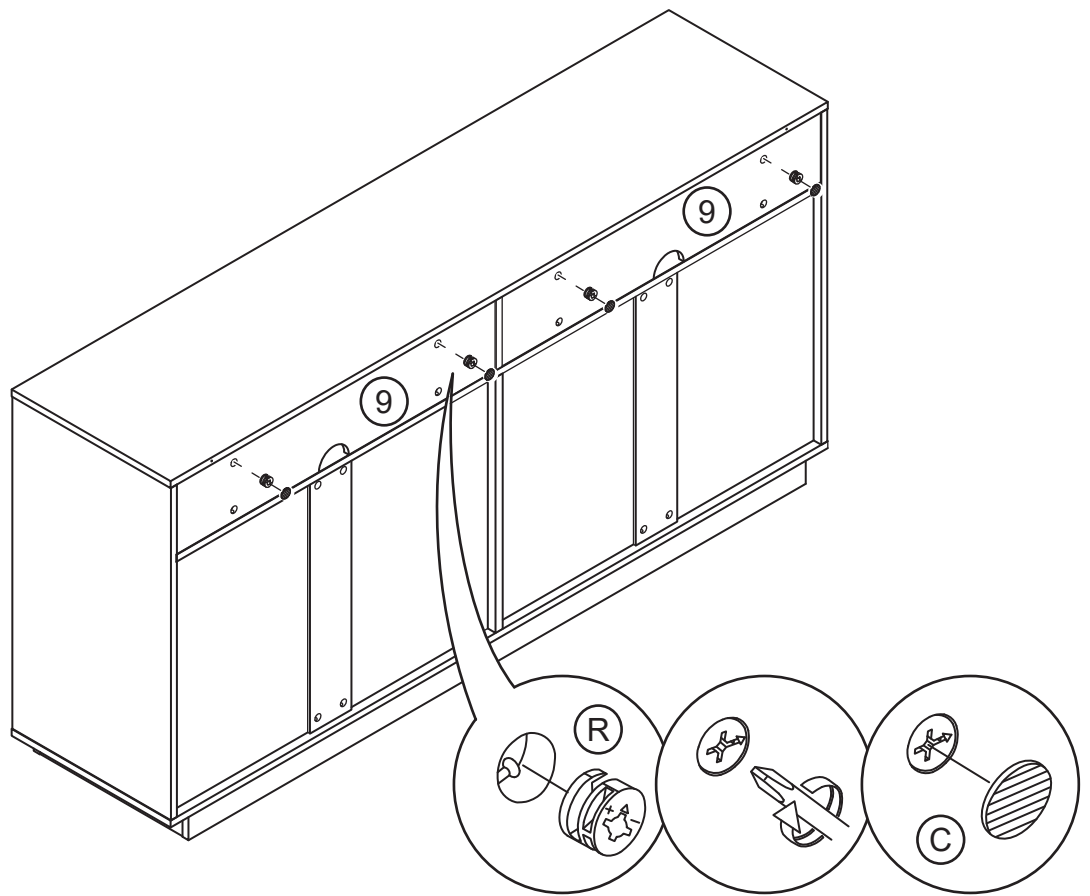
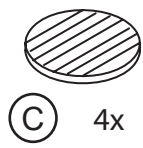
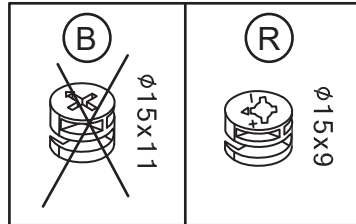
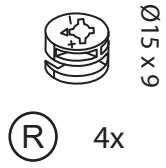
Assemble the top panel(1) to the TV stand assembly.



# 23

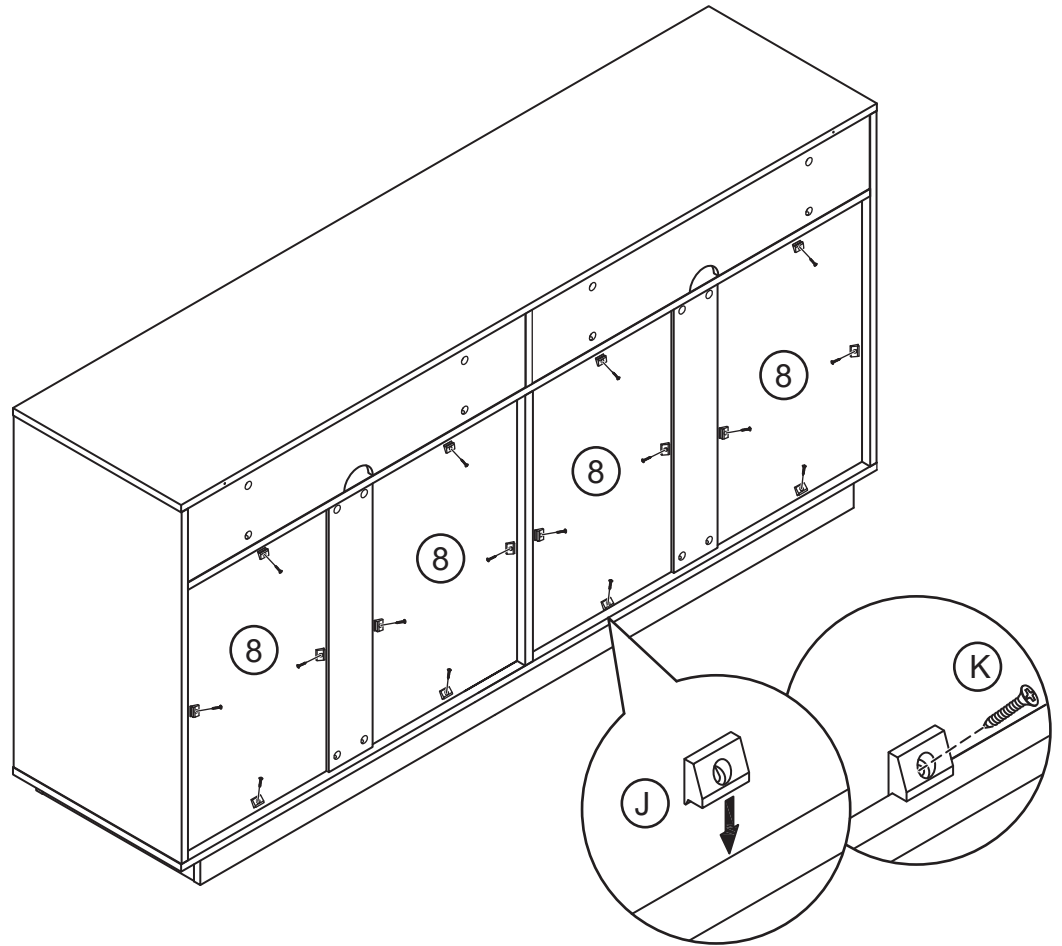
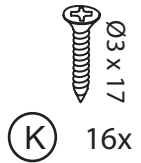
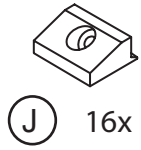
Secure the top back panel to the top panel.

Note: Make sure to use the correct hardware.



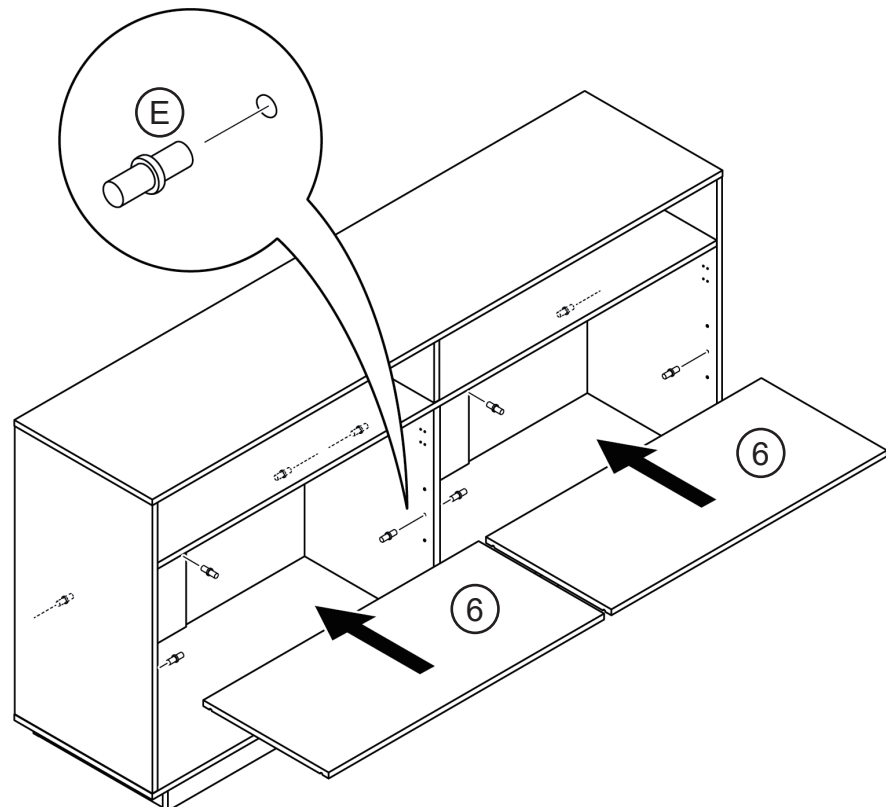
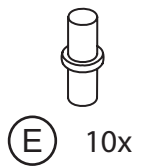
# 24

Secure the back panels (8) in place.



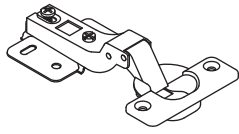
# 25

Insert shelf pegs into the TV stand and place storage shelf panels (6) on top of the pegs.



# 26

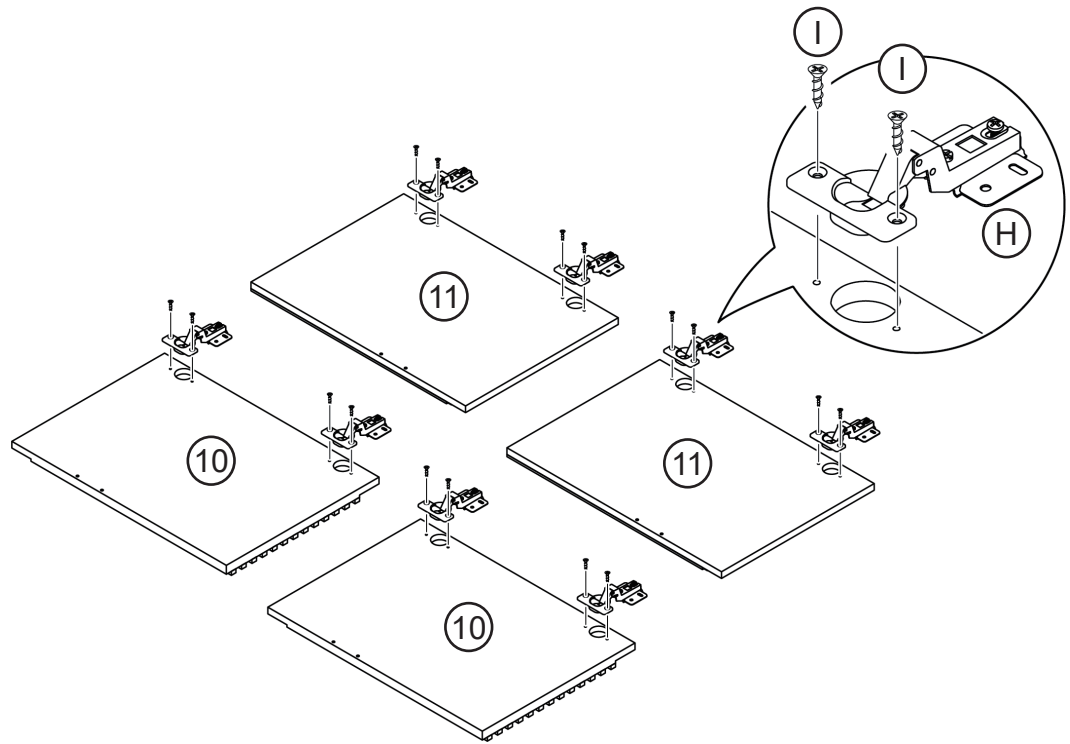
Attach door hinges to cabinet doors (10, 11).



(H) 8x

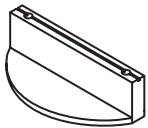


(I) 16x



# 27

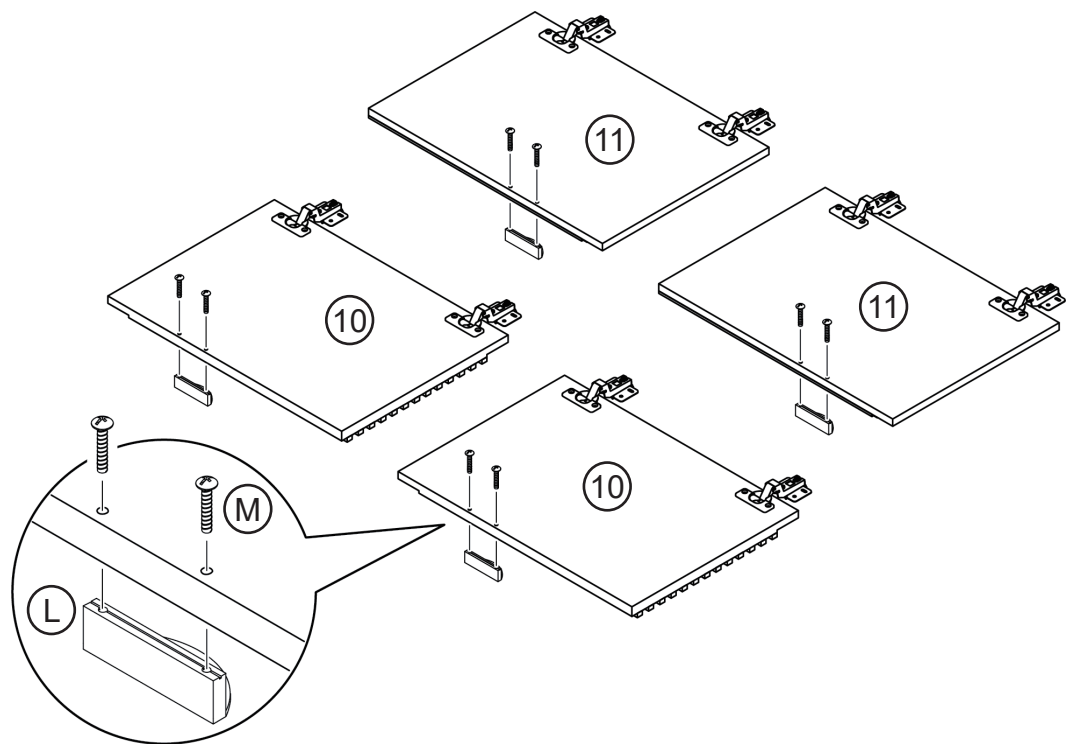
Attach door handles to all the cabinet doors.



(L) 4x



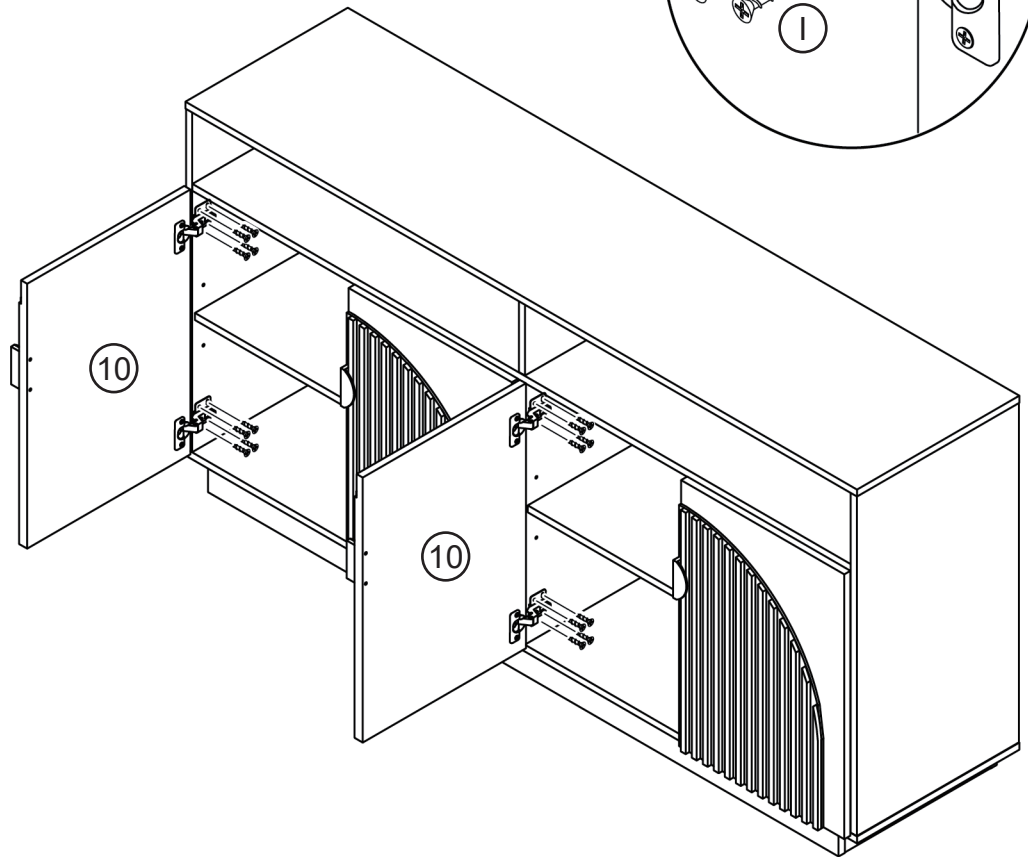
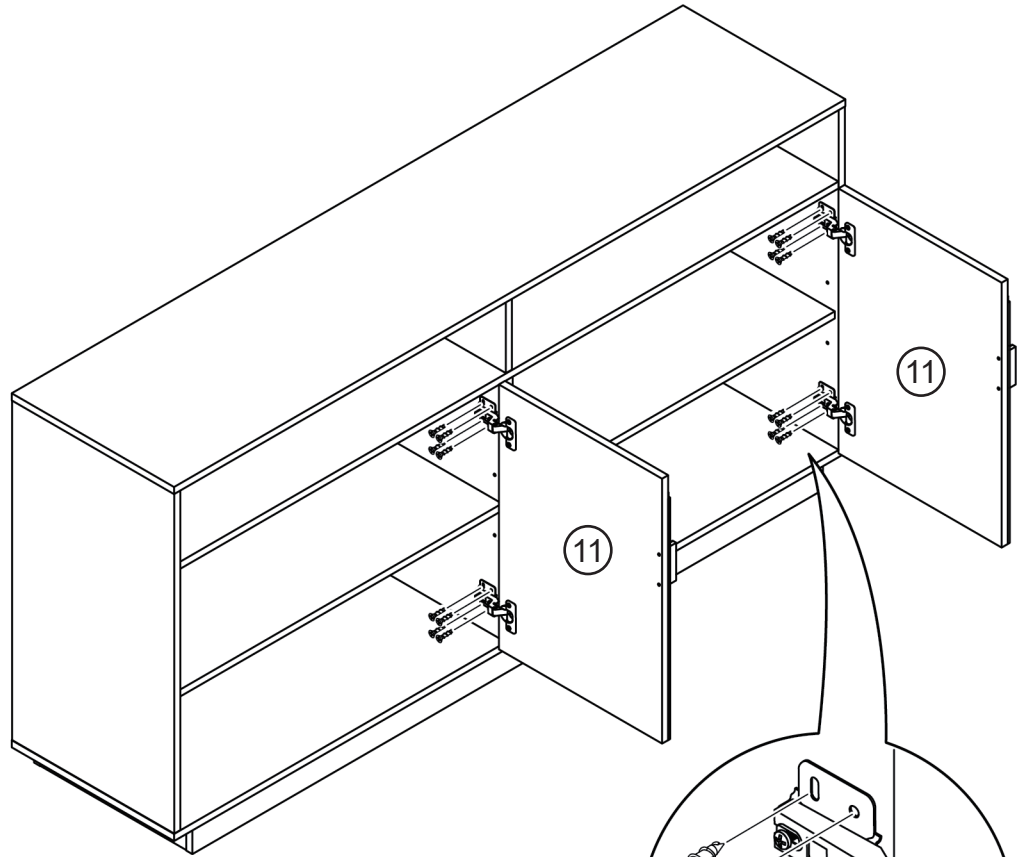
(M) 8x



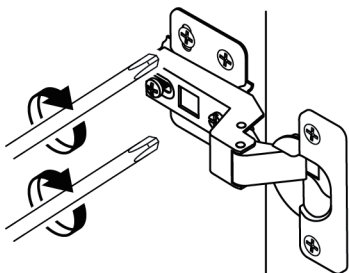
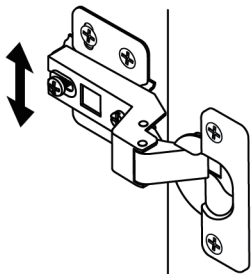
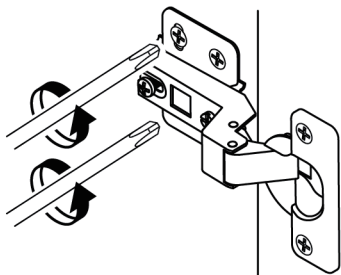
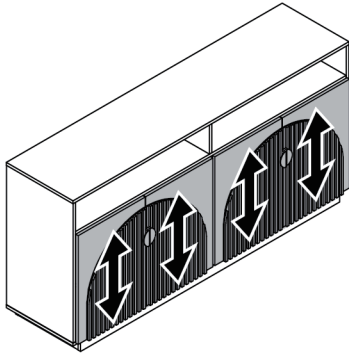
# 28

Attach cabinet doors to the TV stand.

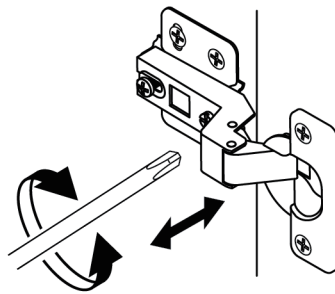
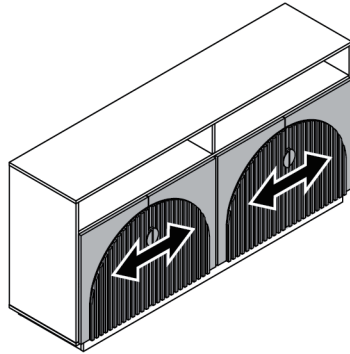
Ø3.5 x 14  
① 32x



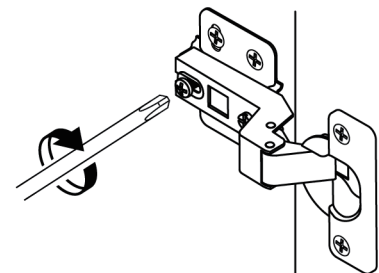
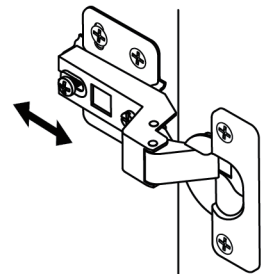
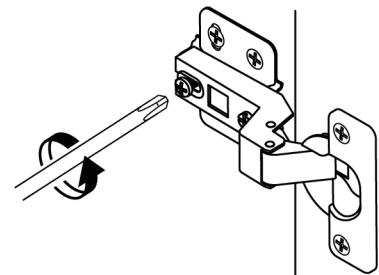
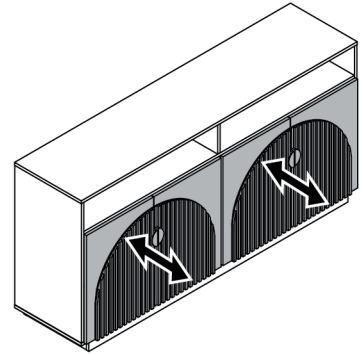
When the clearance of the door is uneven, Adjust the cabinet door according to the figure.  
If you still have trouble while adjusting the door, please contact us.



Up and down adjustment by loosening the screws on the mounting plate.



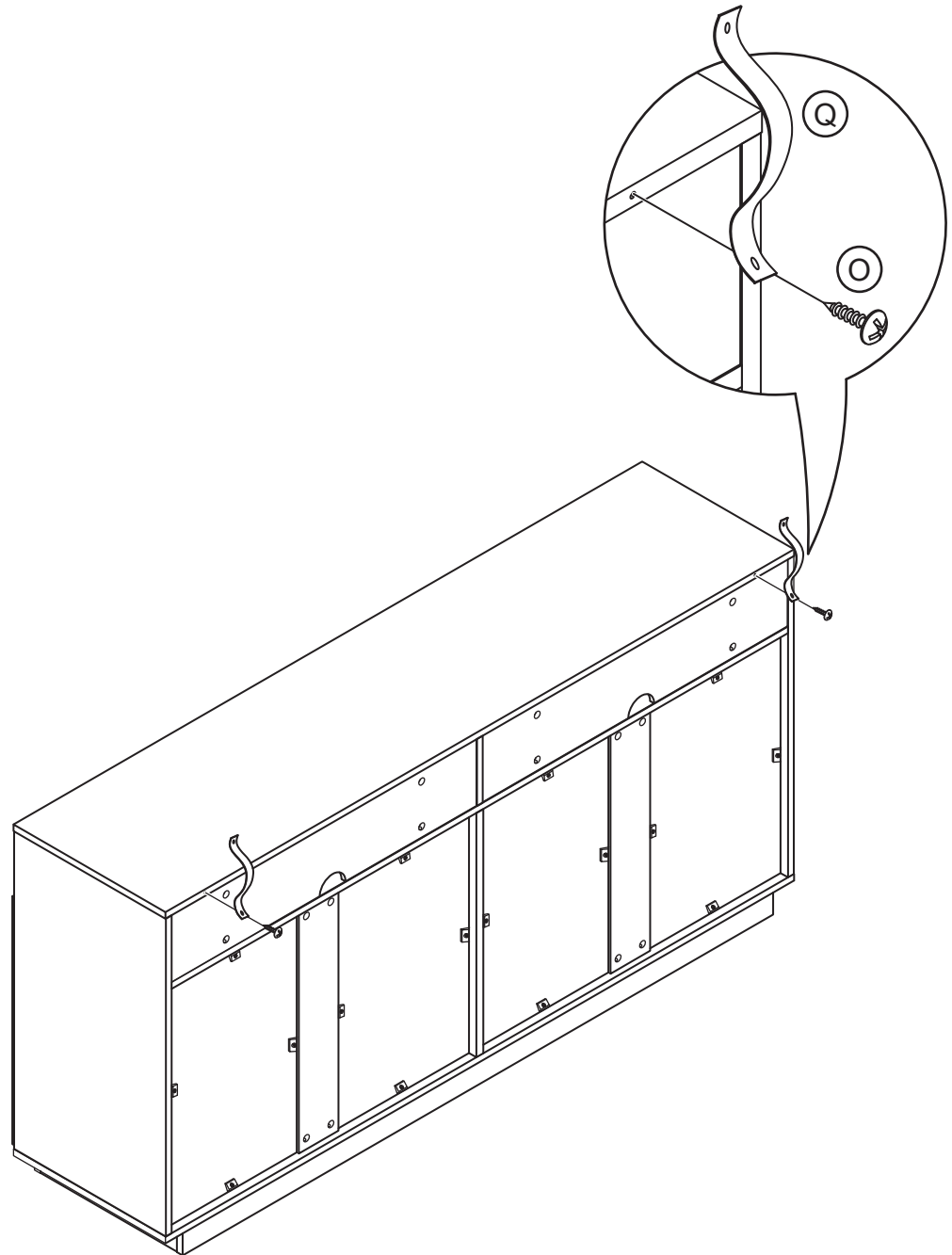
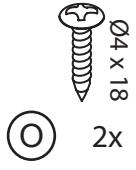
Side to side adjustment using the front adjustment screw on the hinge.



In and out adjustment by loosening the screws on the hinge arm.

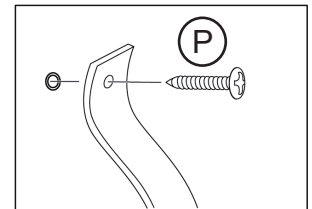
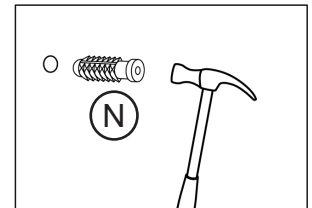
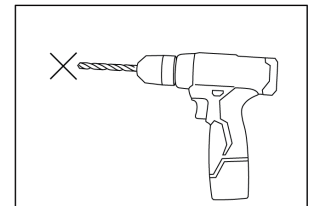
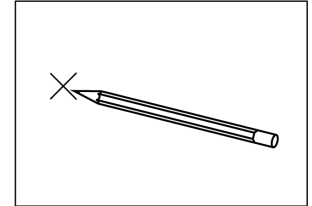
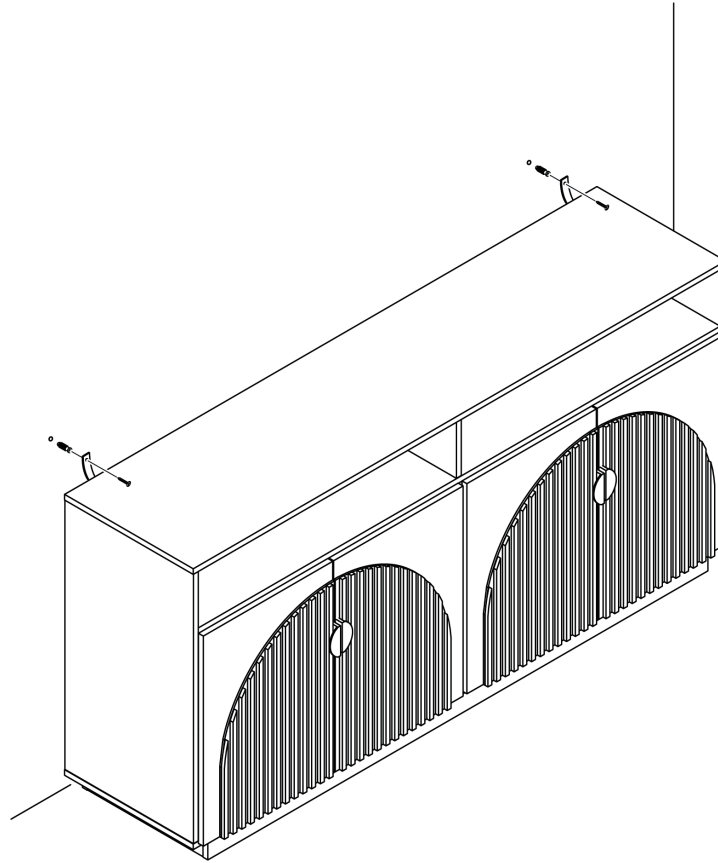
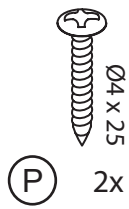
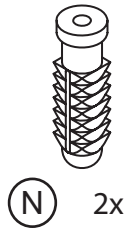
# 29

Attach anti-tipping straps to the back of the TV stand.



# 30

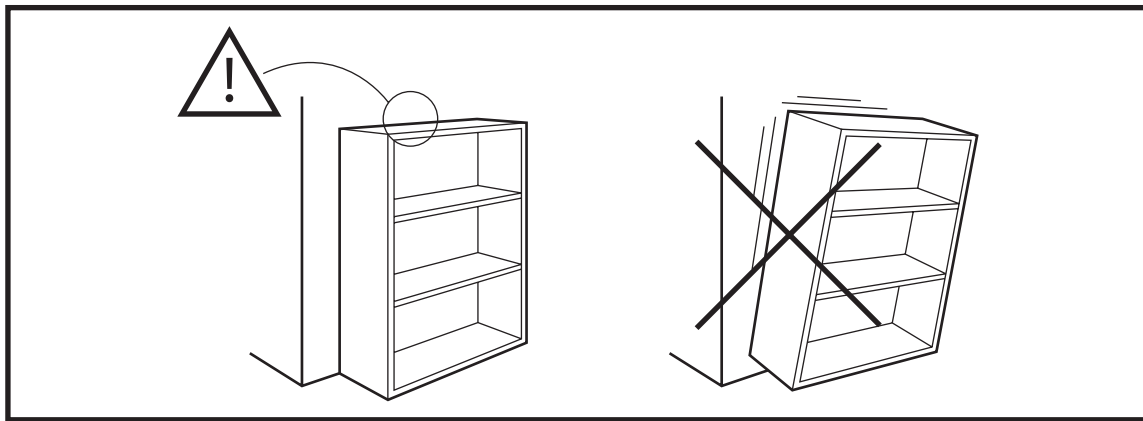
Affix the TV stand to a wall.



Furniture must permanently fixed to the wall stud with included anti-tipping device to prevent the furniture from tipping over.

- Mark drill positions on the wall with a pencil.
- Drill a small hole on the marked position.
- Insert wall anchors into the drilled holes.
- Zip tie the rack to the anti-tipping devices.

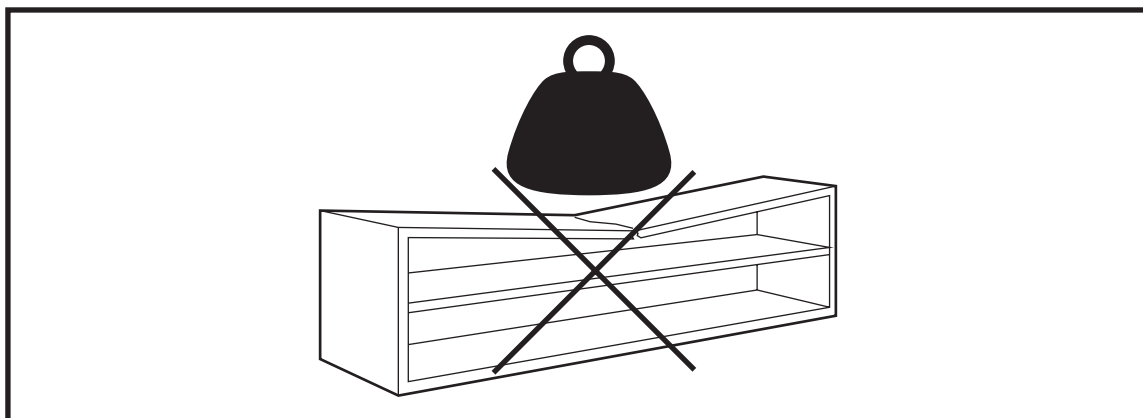
## YOU'RE FINISHED!



## Warning

Serious or fatal crushing injuries may occur if the furniture tip-over. Furniture must permanently affixed to the wall with included anti-tipping device in order to prevent the furniture from tipping over.

Different wall materials requires different types of wall anchors or screws. Use a suitable wall anchors or screws for your specific wall in order to secure the stability and load bearing capacity of the furniture. If you are uncertain about which type of device to use, please contact us or your local hardware store.



## Warning

Only place items on top of the product if they meet the recommended size and weight limits.

Climbing on, stepping on, or placing overweighted objects on the product may cause property damage and/or injuries.

Items placed onto this product must be resting on a support surface without hanging over the edges.

## WARNING

For use with televisions weighing 70lbs (31.75kg) or less. Use with heavier televisions may result in instability, causing tip over resulting in death or serious injury.

Death or serious injury may occur when children climb on audio and/or video equipment furniture. A remote control or toys placed on the furnishing may encourage a child to climb on the furnishing and as a result the furnishing may tip over on to the child.

Relocating audio and/or video equipment to furniture not specifically designed to support audio and/or video equipment may result in death or serious injury due to the furnishing collapsing or over turning onto a child.

## NOTICE

The recommended maximum width of the television is 70 inches. Do not exceed the maximum load capacity.

This product is designed for flat panel TVs only.

# BELLEZE<sup>®</sup>

## FURNITURE CARE AND MAINTENANCE

Medium - Density Fiberboard

Thank you for your purchase. We want your item to last as long as possible. To ensure the product gives you years of longevity, please follow the recommendations in this care and maintenance guide.



### MAINTENANCE

- Tighten all bolts and screws again within the first 2 weeks of assembly.
- Check the tightness of all bolts every 2 months and tighten them if necessary.



### CLEANING

- Clean the surface of the MDF (medium - density fiberboard) with a lightly dampened cloth.
- A small amount of mild soap can be used if necessary.
- Dry the surface immediately after cleaning.

- ⚠ DO NOT use bleach or alcohol to clean the surface.
- ⚠ DO NOT apply wood treatment on parts made with MDF.

MDF will swell and distort when exposed to water damage. Make sure to dry the furniture immediately after cleaning.

### ⚠ WARNING

The manufacturer and seller are not responsible for any and all liability relating to personal injury, property damage or losses, whether direct, indirect, or incidental, resulting from the incorrect attachment, improper use, inadequate maintenance, unapproved modification or neglect of this product.





© All copyright of this document belongs to BELLEZE.  
This document may not be printed, translated, reproduced, or distributed in whole or in part without written permission from BELLEZE.

# WARRANTY

BELLEZE products come with a 1-year warranty from the date of delivery.  
**Register your product on our website to enjoy our limited lifetime warranty!**



## AFTER-SALE SERVICE



Encounter any difficulties or missing parts?



Contact us at **1-800-682-6376** or email us at **support@belleze.com**



We will send you replacement.



Hassle free!  
No need to worry about repackaging and sending your item back.

**We hope you enjoy your new BELLEZE furniture!**  
**Share your photos on Instagram and tag us: @bellezefurniture.**

---

### FOLLOW US:



@bellezefurniture

### CONTACT INFO:

support@belleze.com  
1-800-682-6376

**BELLEZE**<sup>®</sup>