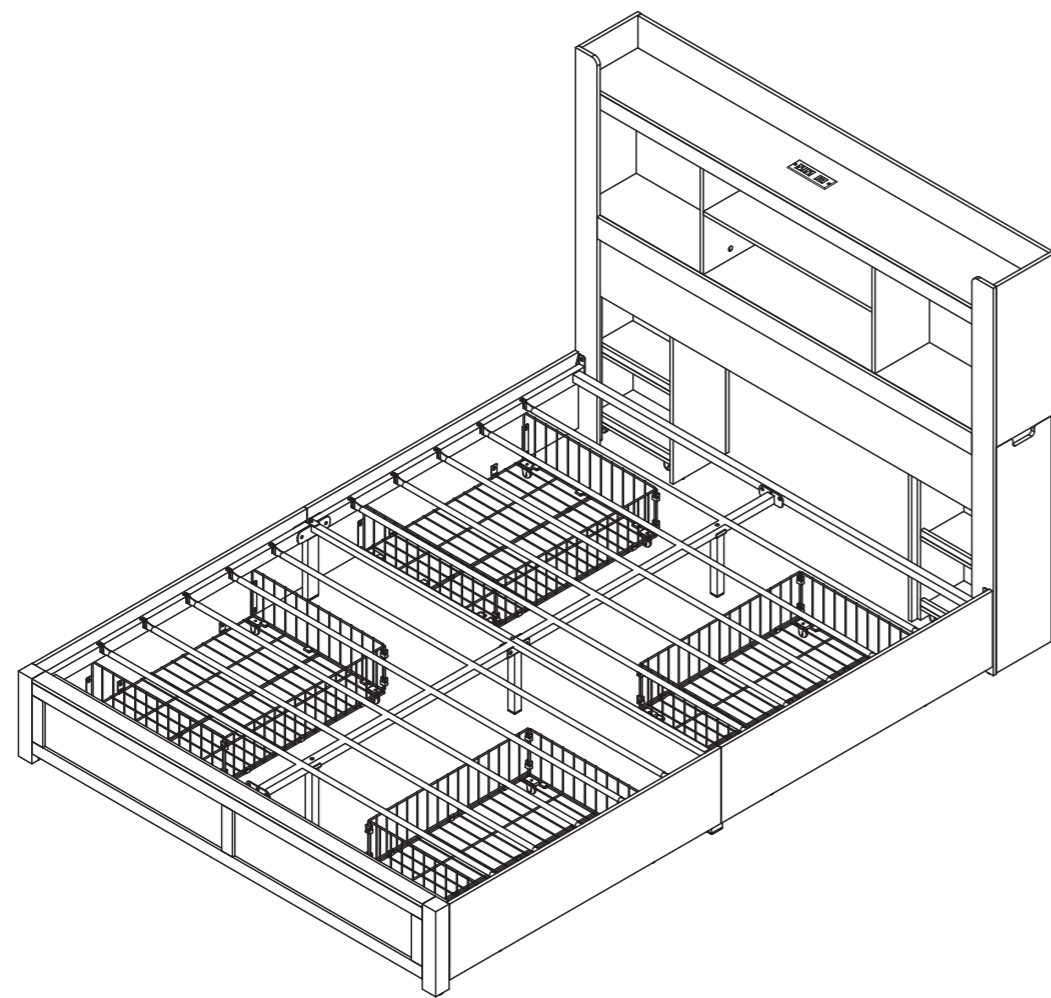


# Storage Platform Bed-F/Q Assembly Instructions



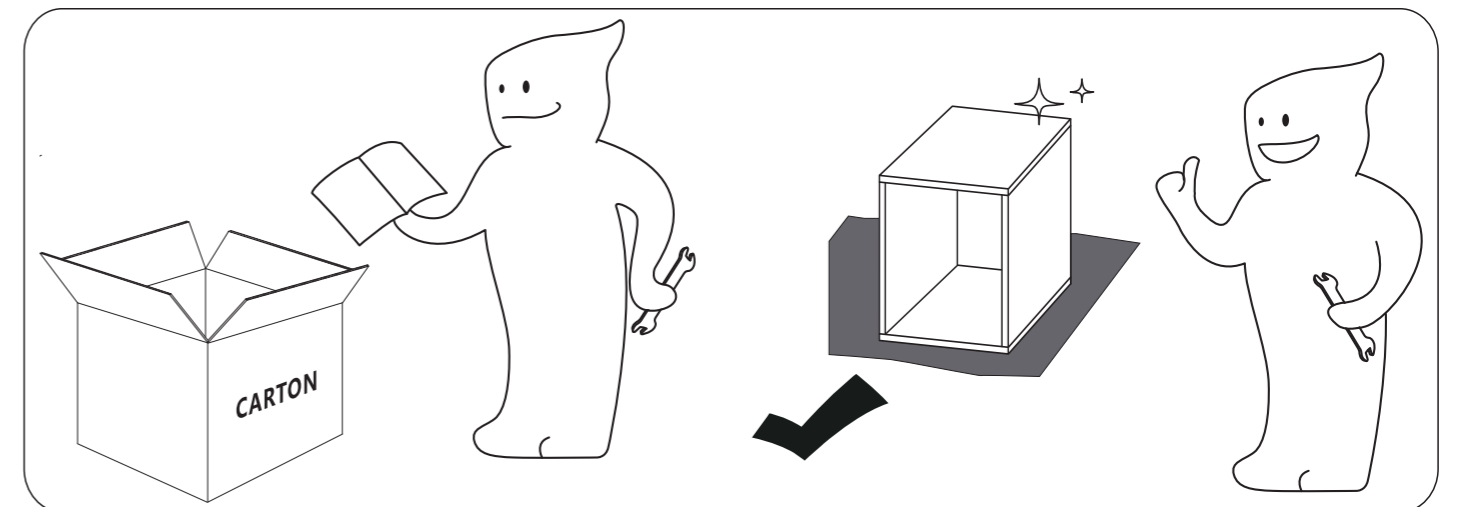
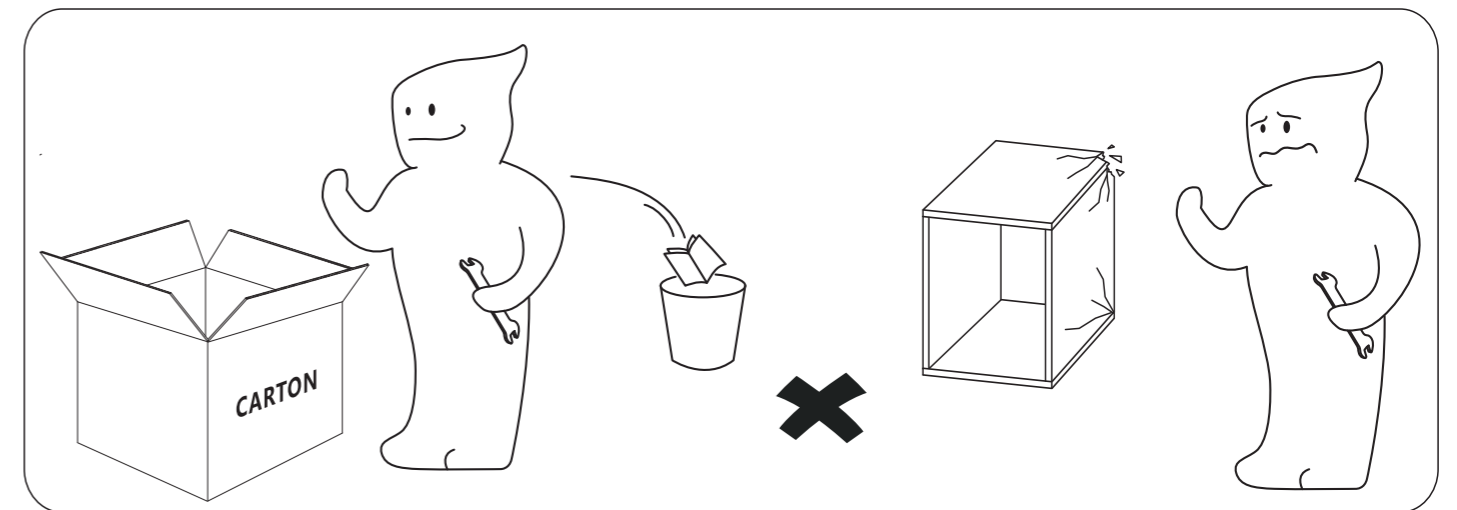
### Dear Customers,

Thank you for purchasing our product. Please read this instruction manual carefully after receiving this product. It will help you assemble this product quickly, safely and correctly. You can keep this manual for future reference.

MADE IN CHINA



Please follow the instruction manuals and use a pad to protect the product during your assembly.



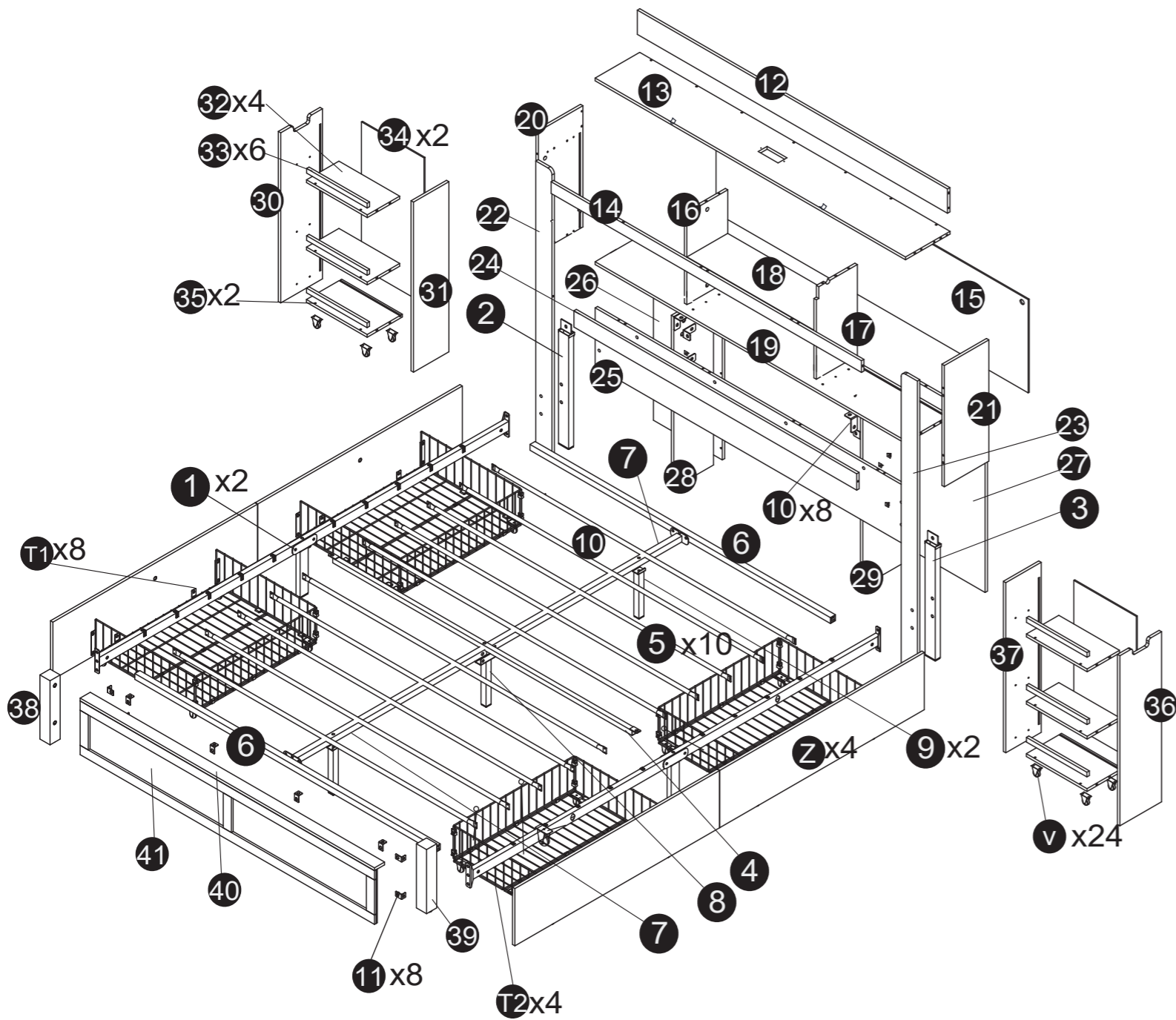
**Note:**

- 1. Should be assembled on flat ground to keep balance.
- 2. Before completing the installation, do not tighten the screws.



For easier and better assembly, 2 or more adults are required.

# ASSEMBLY INSTRUCTIONS



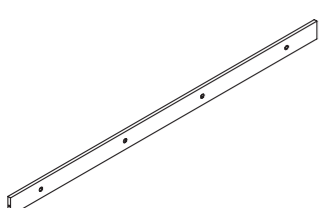
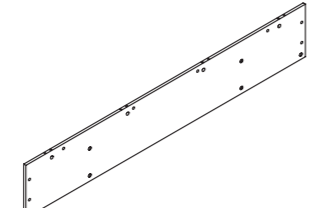






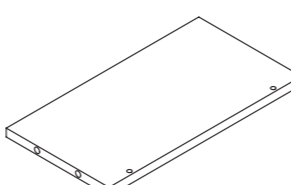
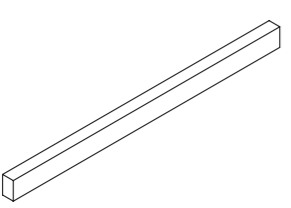

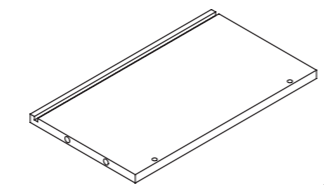


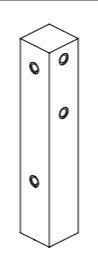
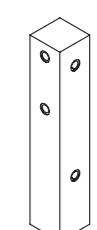
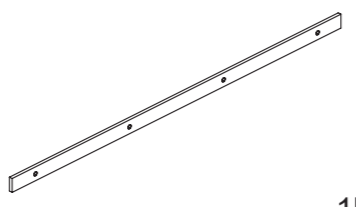
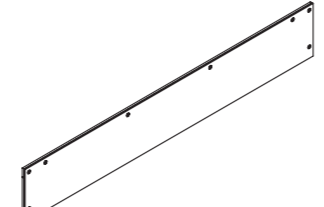
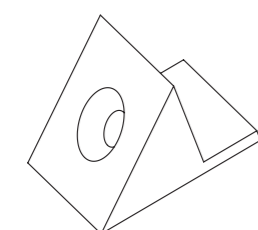
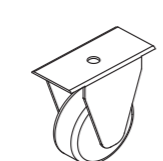
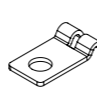
# ASSEMBLY INSTRUCTIONS

## The box 1

1  2PCS	2  Nut 1PC	3  Nut 1PC
4  1PC	5  10PCS	6  2PCS
7  2PCS	10  8PCS	11  8PCS
12  1PC	13  1PC	14  1PC
15  1PC	16  1PC	17  1PC
18  1PC	19  1PC	20  1PC
21  1PC	22  1PC	23  1PC



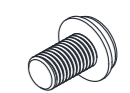



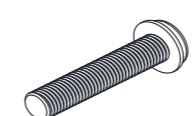

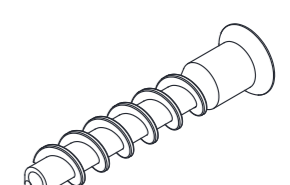
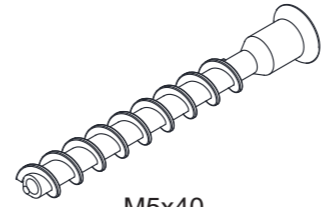

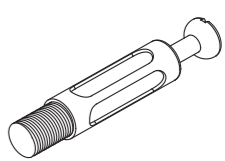
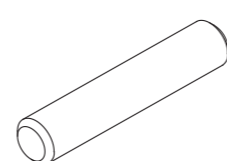
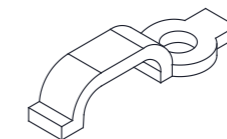

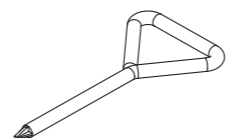
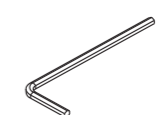
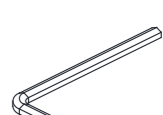
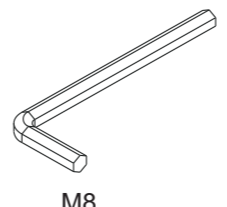
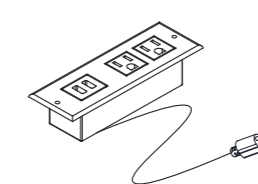

# ASSEMBLY INSTRUCTIONS

## The box 1 continued

<b>24</b>  1PC	<b>25</b>  1PC	<b>26</b>  1PC
<b>27</b>  1PC	<b>28</b>  1PC	<b>29</b>  1PC
<b>30</b>  1PC	<b>31</b>  1PC	<b>32</b>  4PCS
<b>33</b>  6PCS	<b>34</b>  2PCS	<b>35</b>  2PCS
<b>36</b>  1PC	<b>37</b>  1PC	<b>38</b>  1PC
<b>39</b>  1PC	<b>40</b>  1PC	<b>41</b>  1PC
<b>42</b>  22PCS	<b>V</b>  24PCS	<b>T1</b>  8PCS

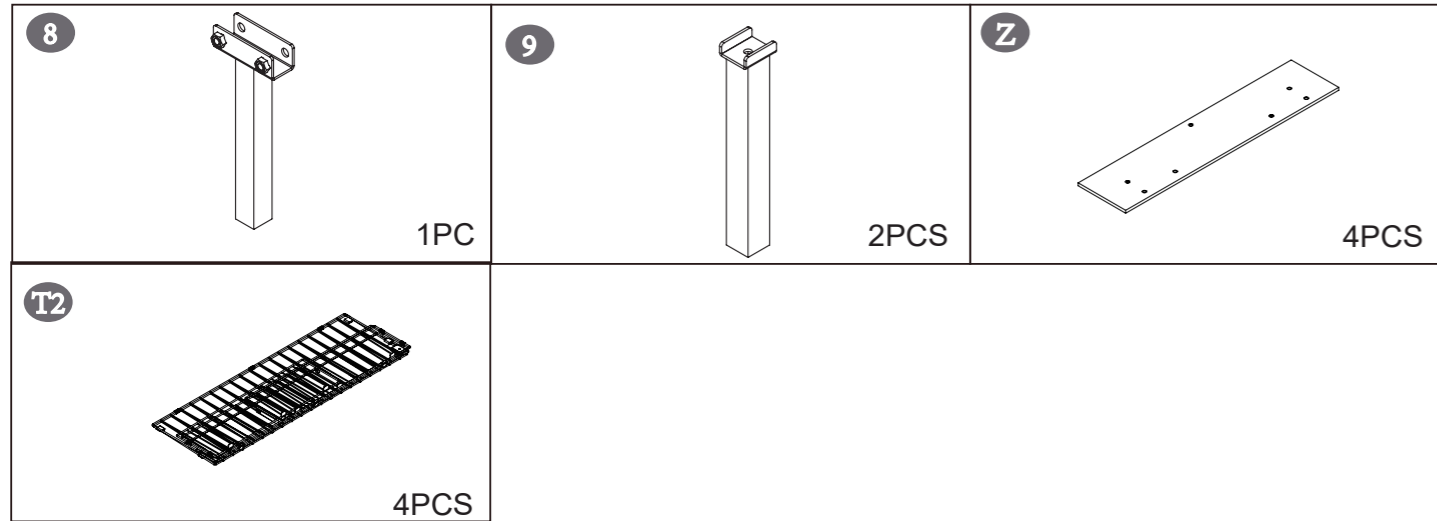
# ASSEMBLY INSTRUCTIONS

## The box 1 continued

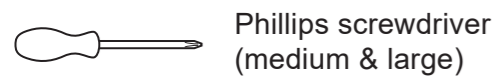
<b>A</b>  ST3.2x12 26PCS	<b>B</b>  ST4.2x12 18PCS	<b>C</b>  M8x12 54PCS
<b>D</b>  M8x14 Colored Zinc 4PCS	<b>E</b>  M8x18 12PCS	<b>F</b>  M8x20 Colored Zinc 8PCS
<b>G</b>  M8x40 12PCS	<b>H</b>  M8x55 3PCS	<b>I</b>  M5x25 12PCS
<b>J</b>  M5x40 10PCS	<b>K</b>  φ15x9.5 57PCS	<b>L</b>  φ7x40 57PCS
<b>M</b>  φ6x40 40PCS	<b>N</b>  4PCS	<b>O</b>  M4x10 16PCS
<b>P</b>  1PC	<b>Q</b>  M4 1PC	<b>R</b>  M5 1PC
<b>S</b>  M8 1PC	<b>U</b>  1PC	<b>K1</b>  1PC

ASSEMBLY INSTRUCTIONS

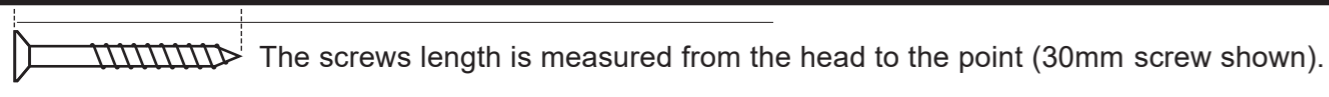
The box 2



Tools required

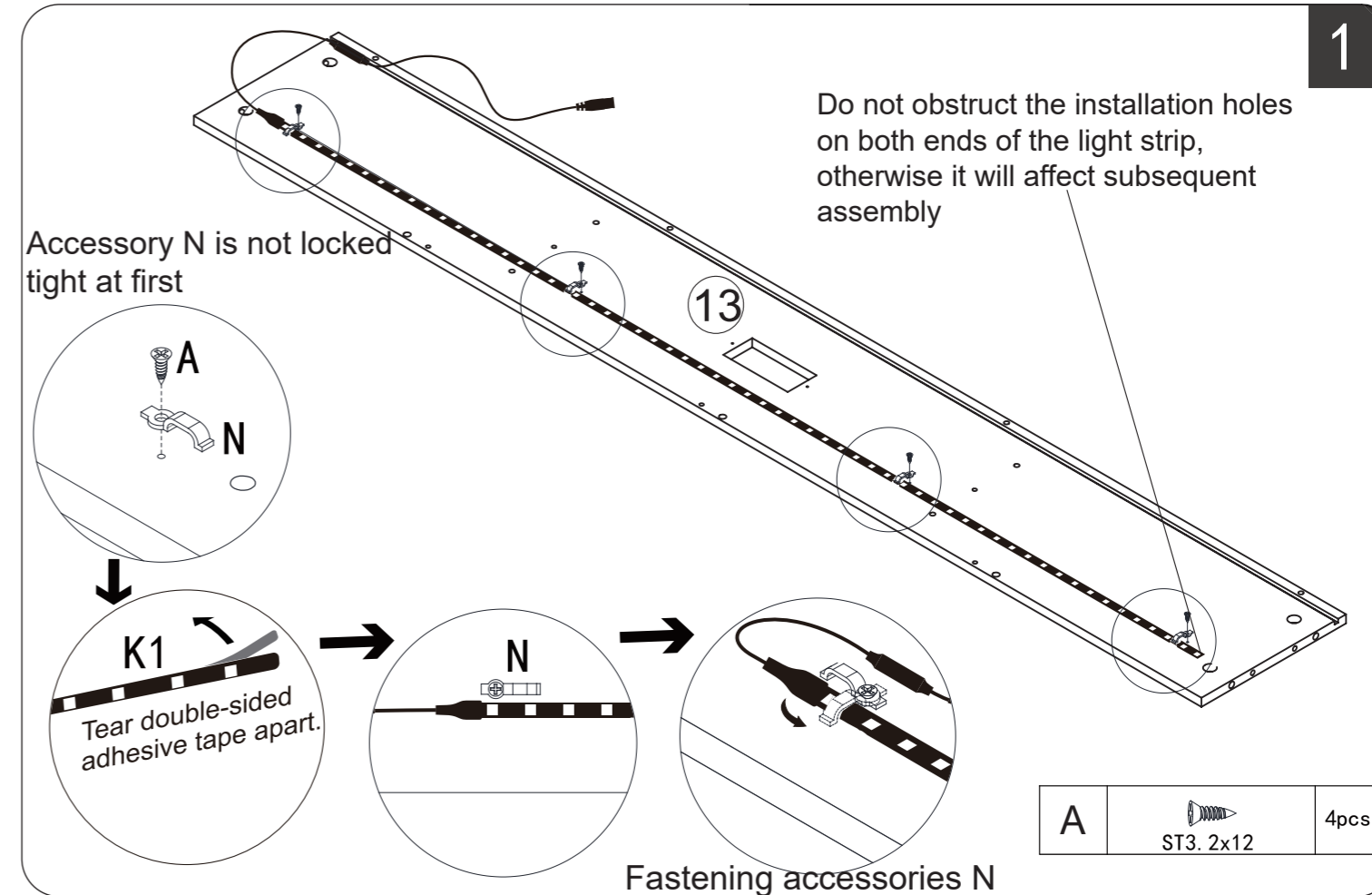


Ruler - Use this ruler to help correctly identify the screws

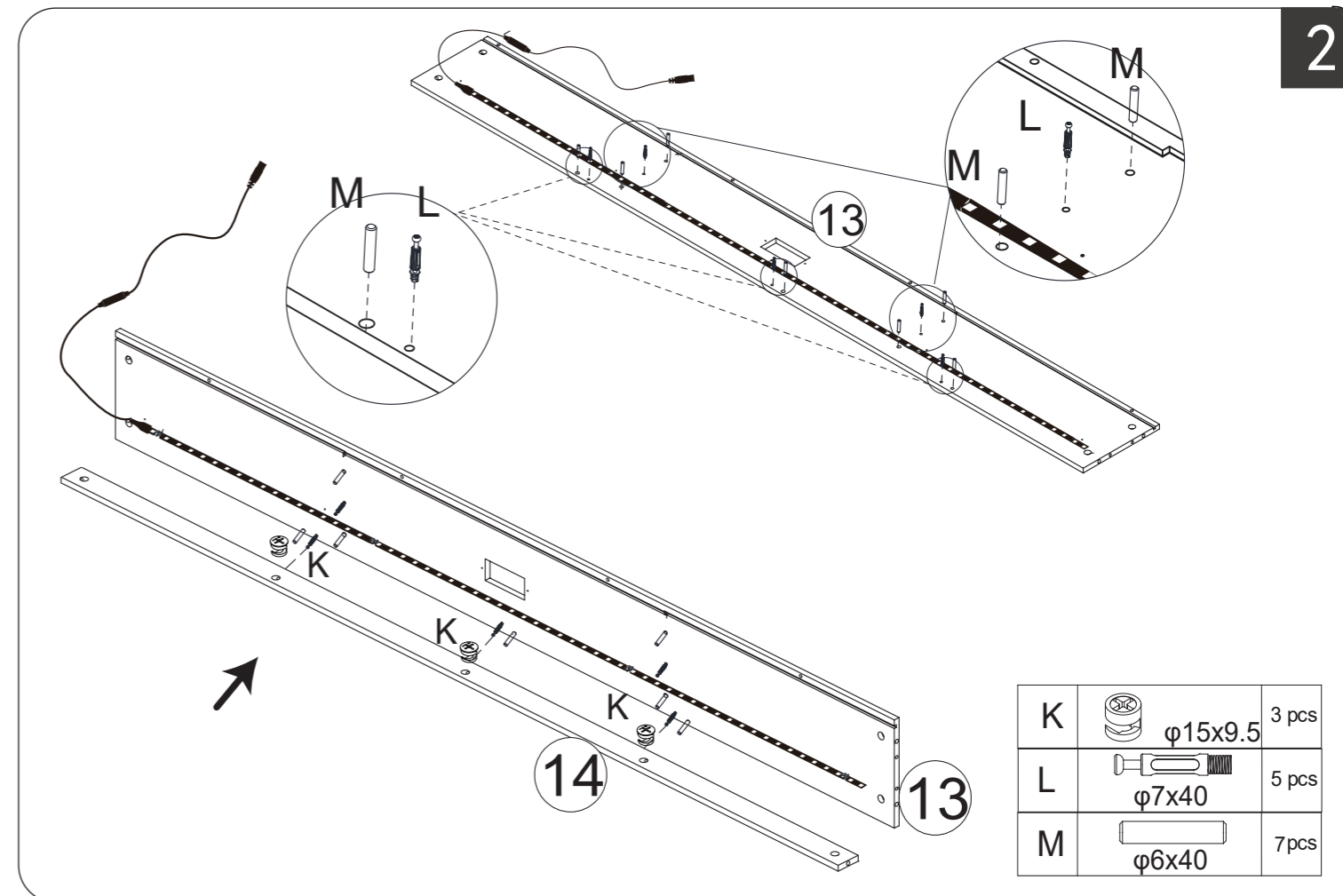


Please make sure to check that all screws are tightened after completing the entire installation.

1

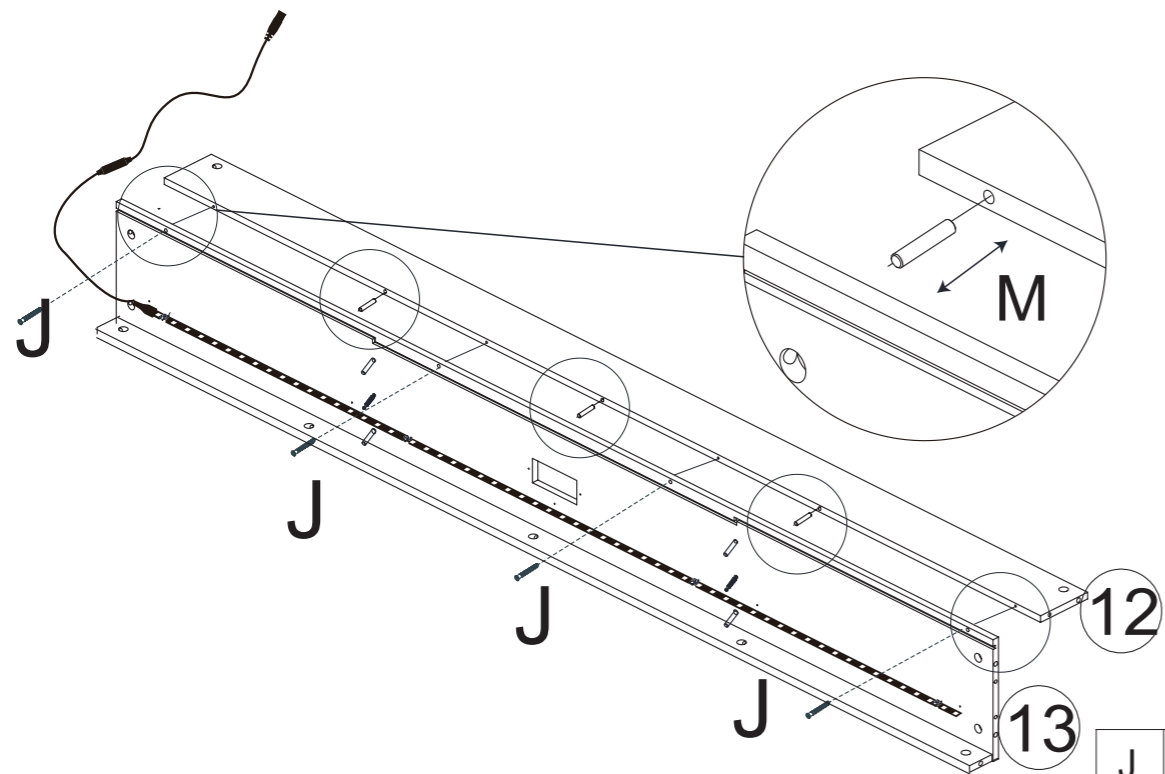


2



# ASSEMBLY INSTRUCTIONS

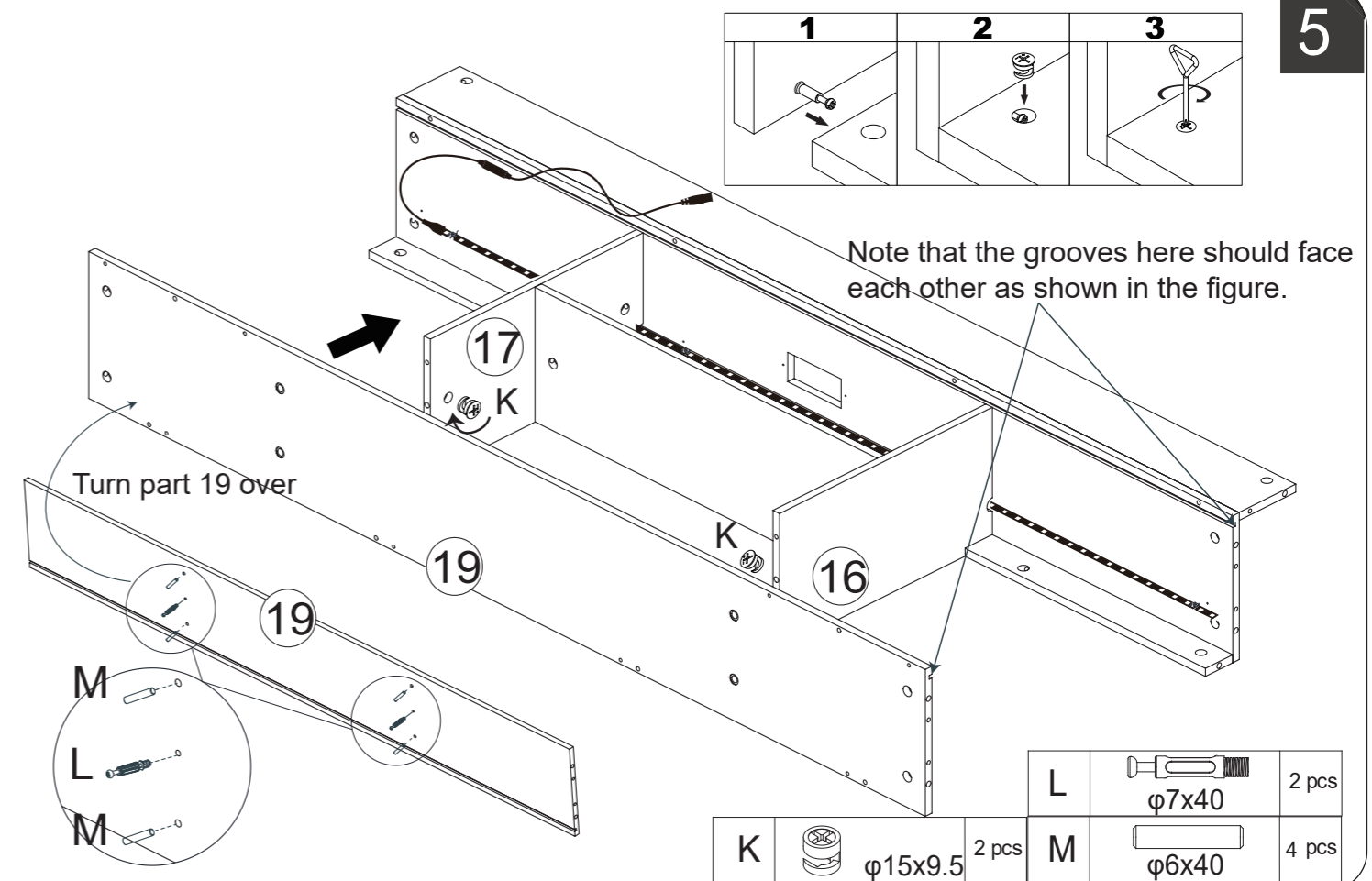
3



J		4 pcs
M		3 pcs

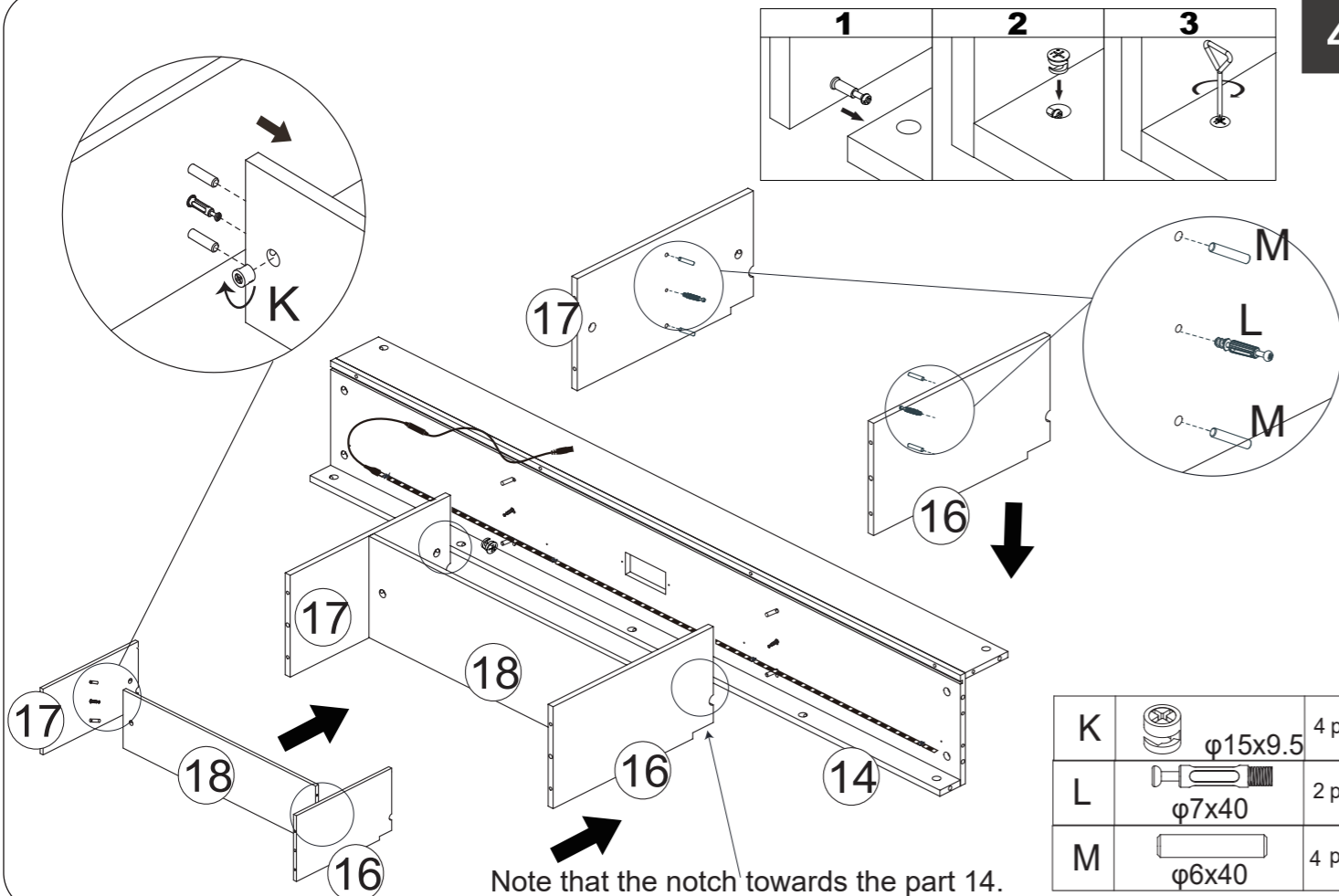
# ASSEMBLY INSTRUCTIONS

5



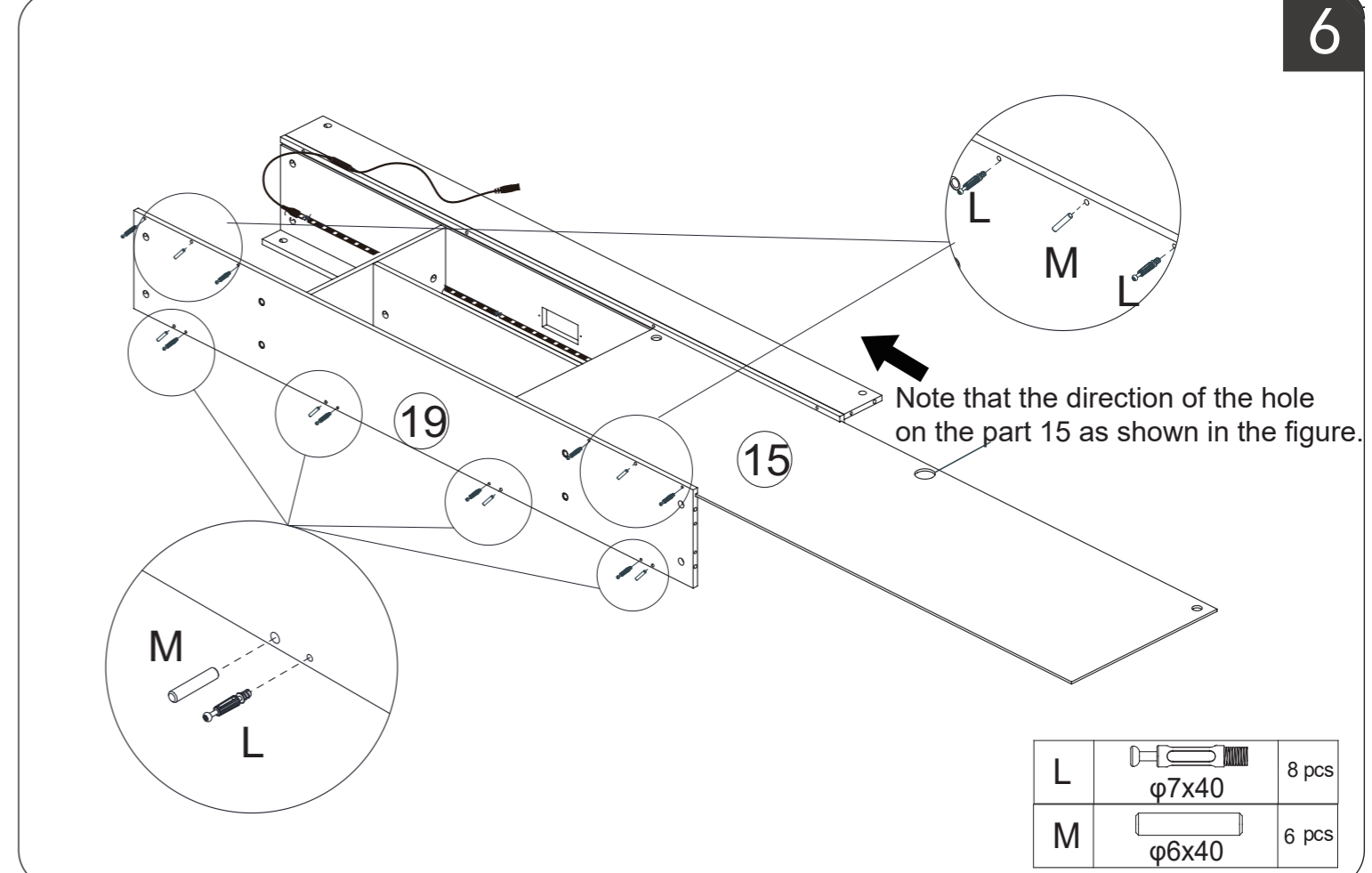
L		2 pcs
M		4 pcs
K		2 pcs

4



K		4 pcs
L		2 pcs
M		4 pcs

6



L		8 pcs
M		6 pcs

# ASSEMBLY INSTRUCTIONS

**7**

K		φ15x9.5	4 pcs
L		φ7x40	16 pcs
M		φ6x40	16 pcs

**8**

Note: There are holes in the part 13 and part 14 for fitting the part K.

Note that component 24 is placed below component 19

K		φ15x9.5	12 pcs
---	--	---------	--------

# ASSEMBLY INSTRUCTIONS

**9**

Please screw the screws F into the correct hole.

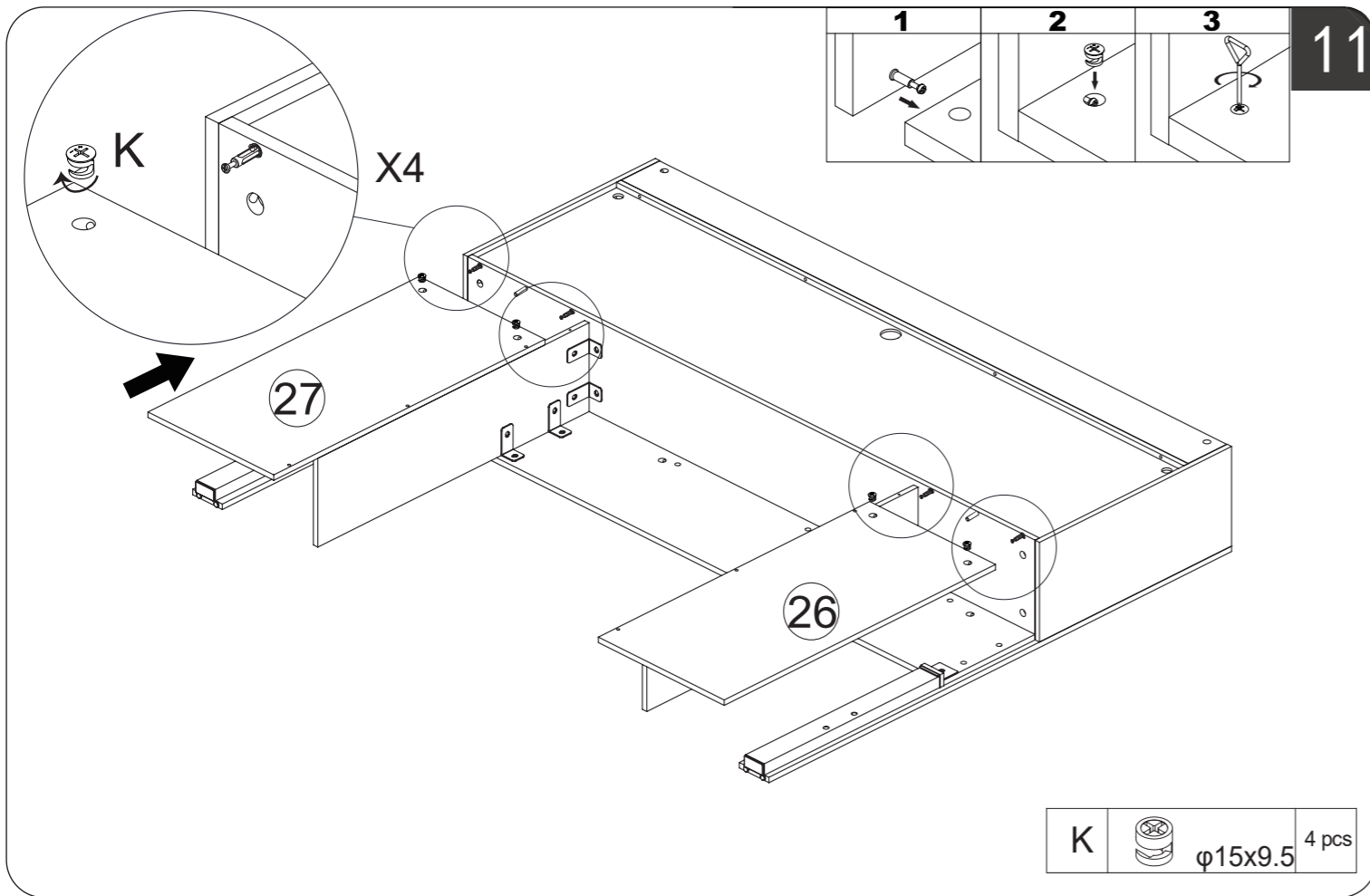
K		φ15x12	4 pcs
F		M8x20	8PCS

**10**

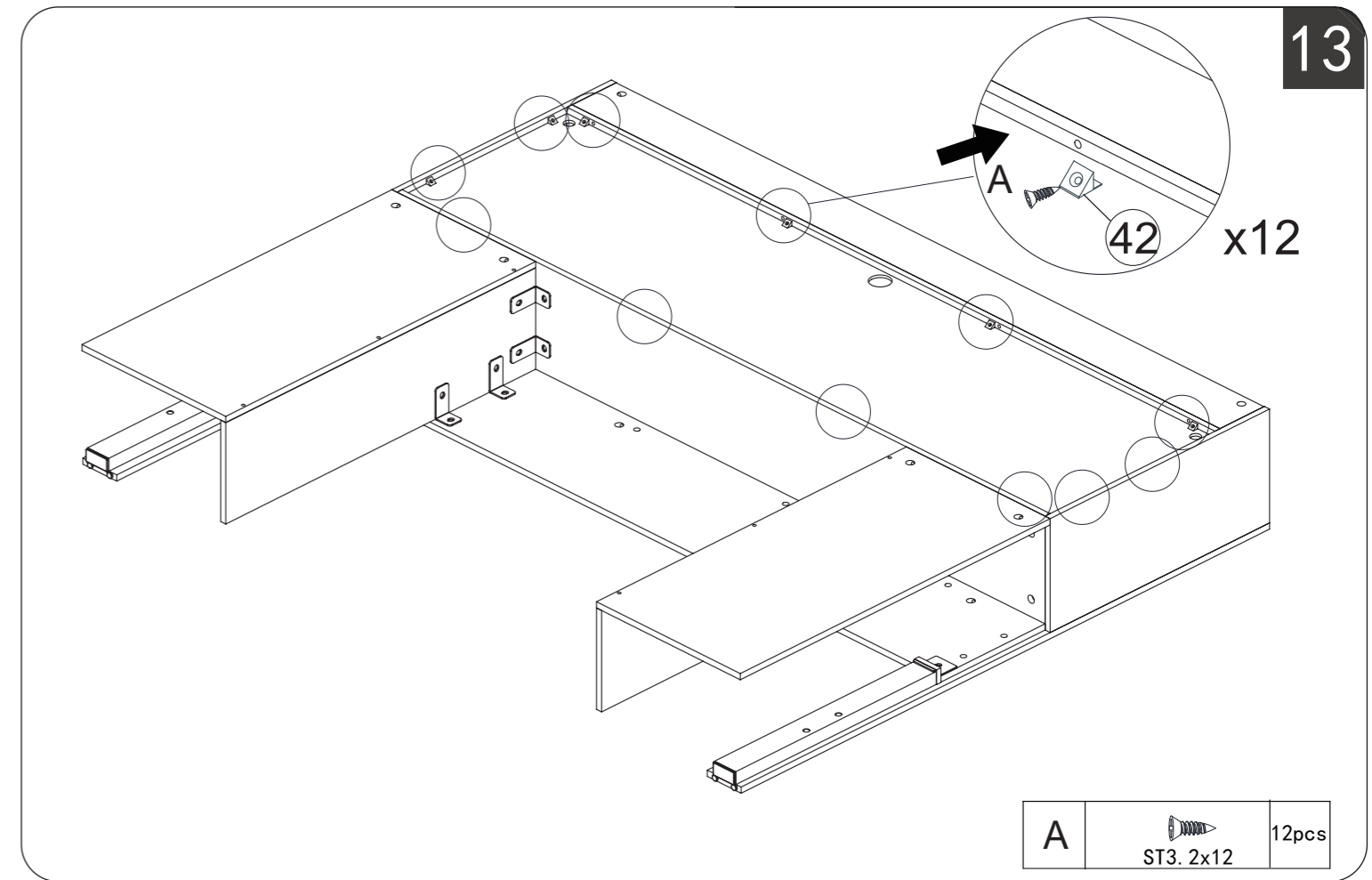
Note: Do not tighten the screws

C		M8x12	18PCS
---	--	-------	-------

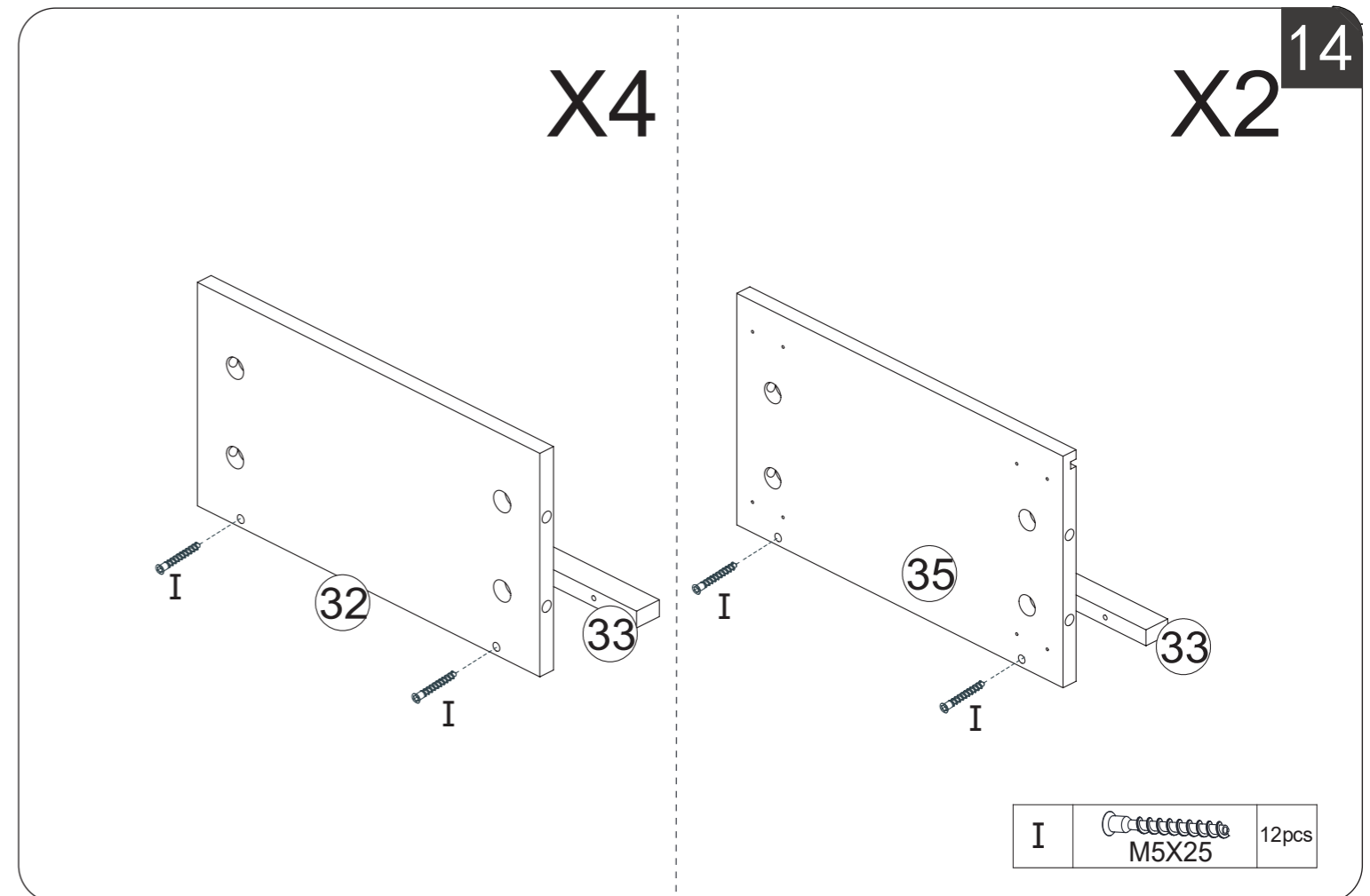
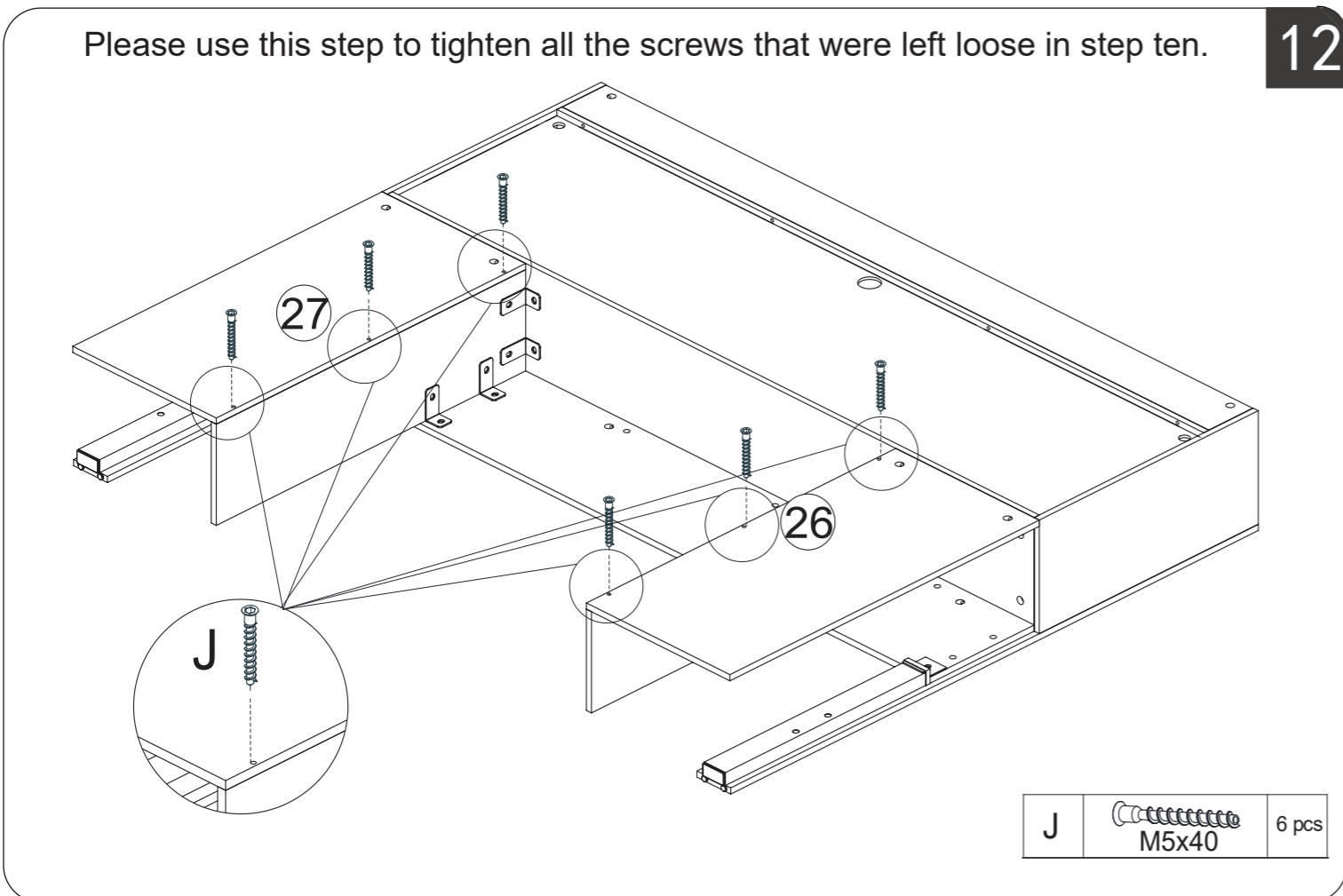
# ASSEMBLY INSTRUCTIONS



# ASSEMBLY INSTRUCTIONS




Please use this step to tighten all the screws that were left loose in step ten.




# ASSEMBLY INSTRUCTIONS

**X2 15**

**B**  ST4. 2x12 16pcs

**16**


**L**  φ7x40 24pcs

# ASSEMBLY INSTRUCTIONS


**17**

Note: Install parts 31 and 36 at the end.

Please ensure that the grooves are facing each other.

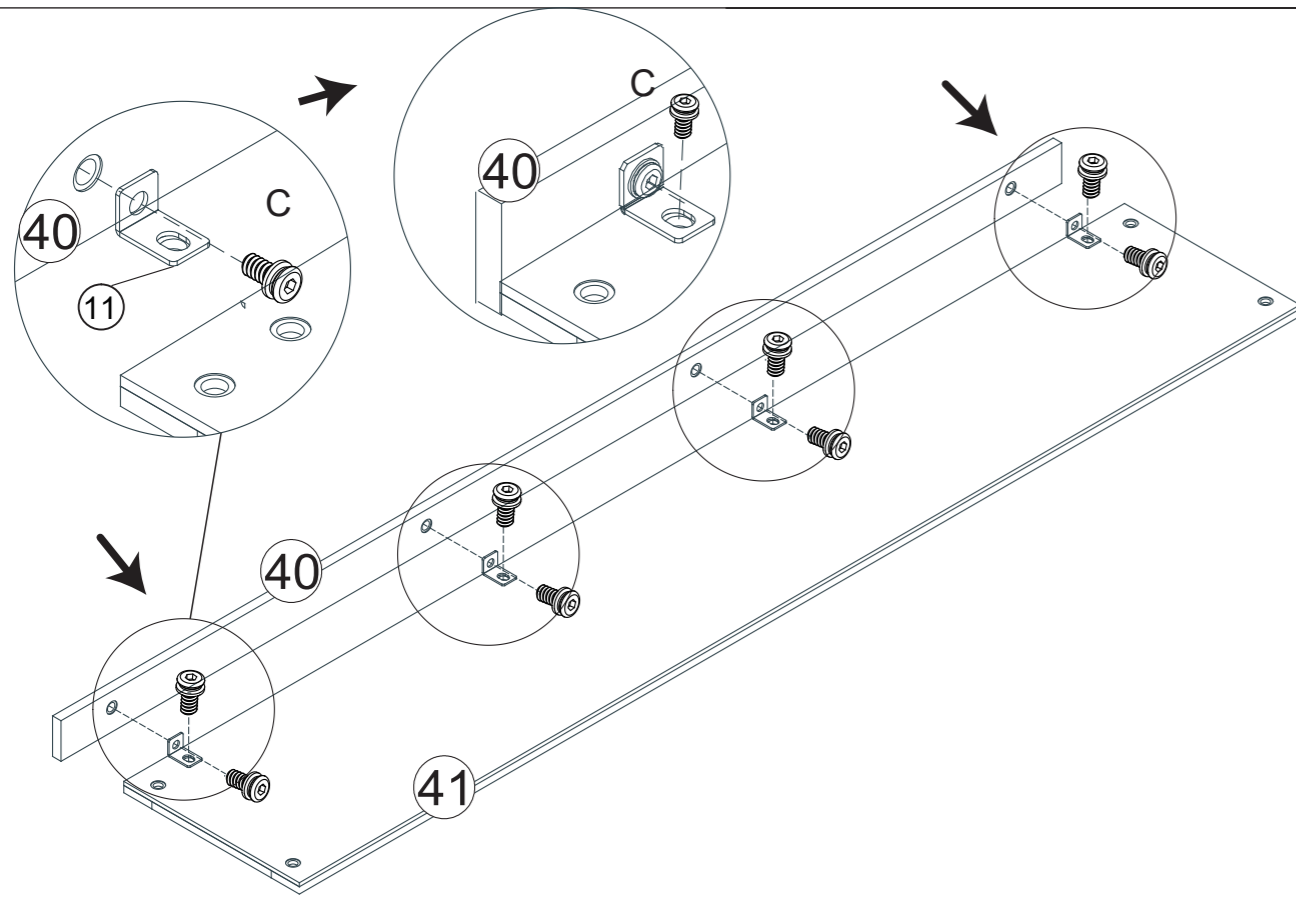
**K**  φ15x9.5 24pcs

**18**

**A**  ST3. 2x12 10pcs

# ASSEMBLY INSTRUCTIONS

19



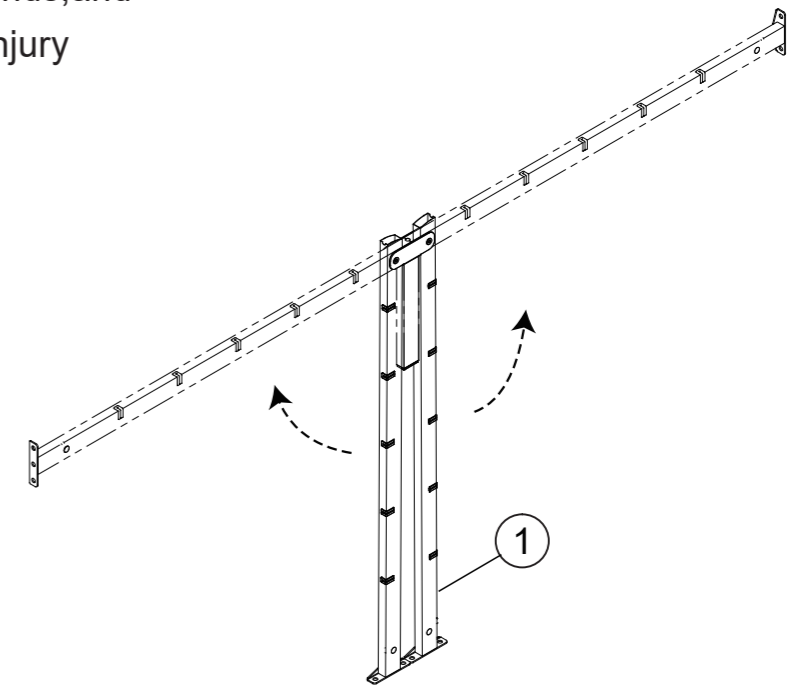
C		M8x12	8PCS
---	--	-------	------

# ASSEMBLY INSTRUCTIONS

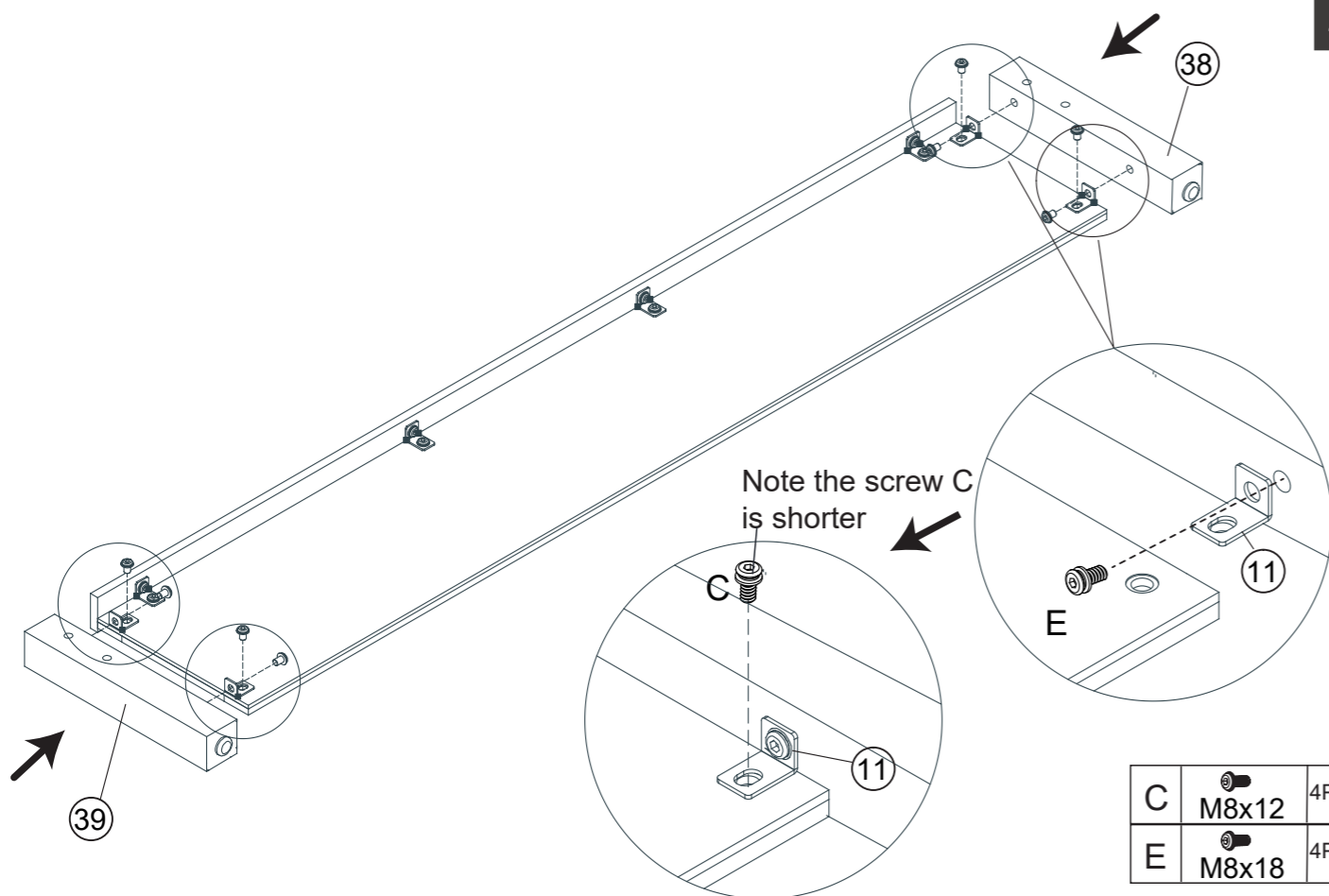
21



X2

**WARNING!**  
Moving parts can crush or cut. Keep fingers, hands, and feet away to avoid injury



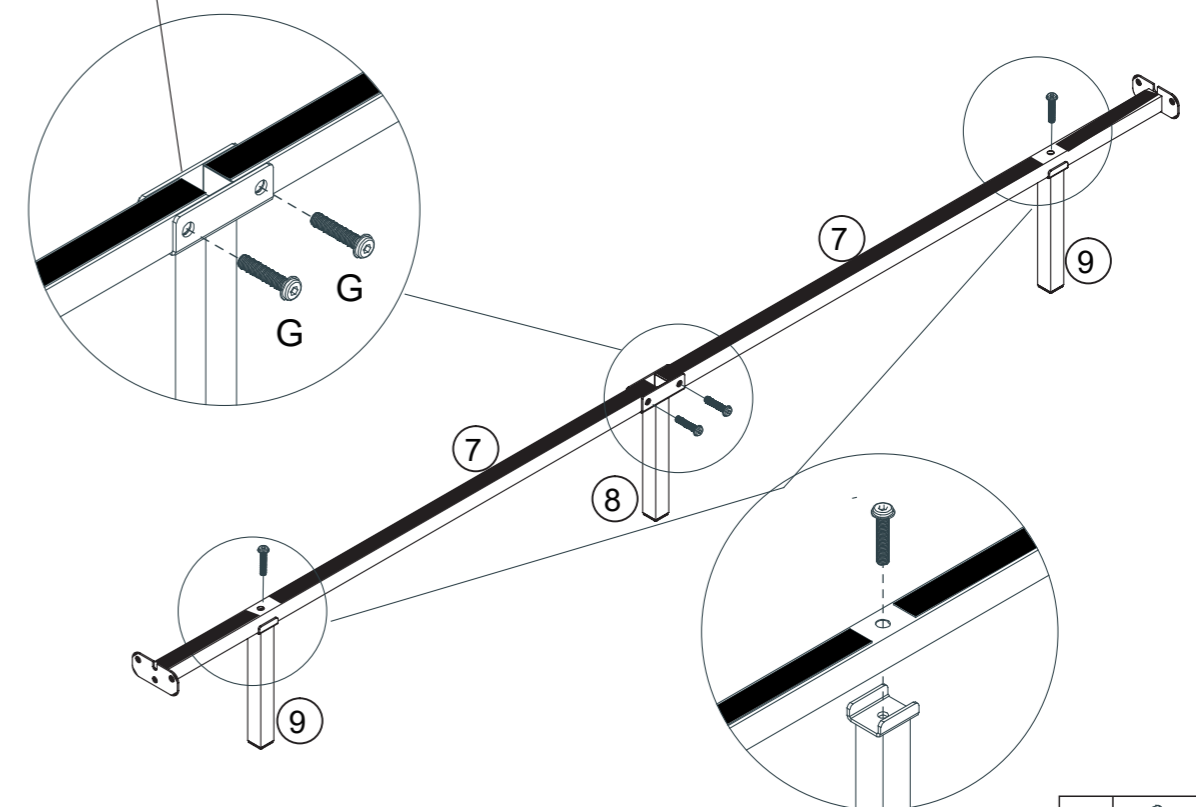
20



C		M8x12	4PCS
E		M8x18	4PCS

22

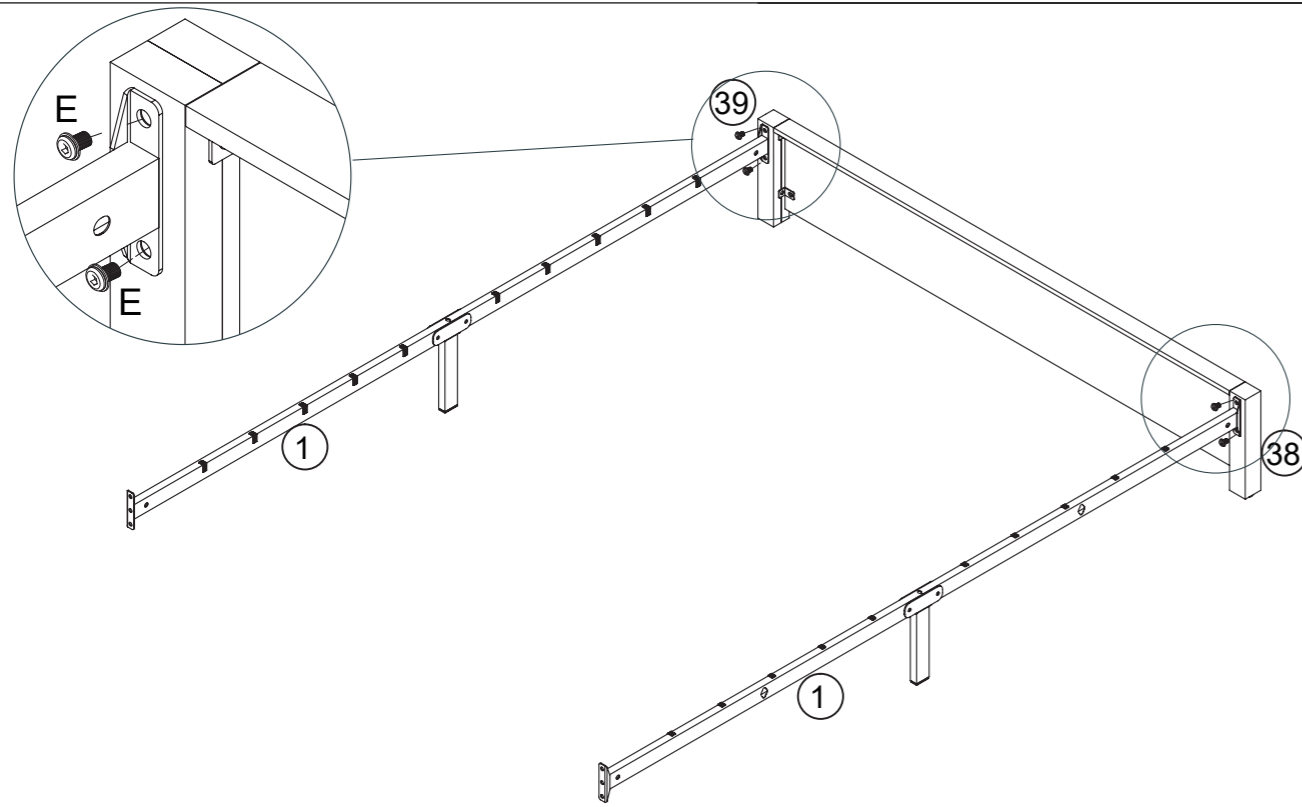
The nut is located here



G		M8x40	4PCS
---	---	-------	------

# ASSEMBLY INSTRUCTIONS

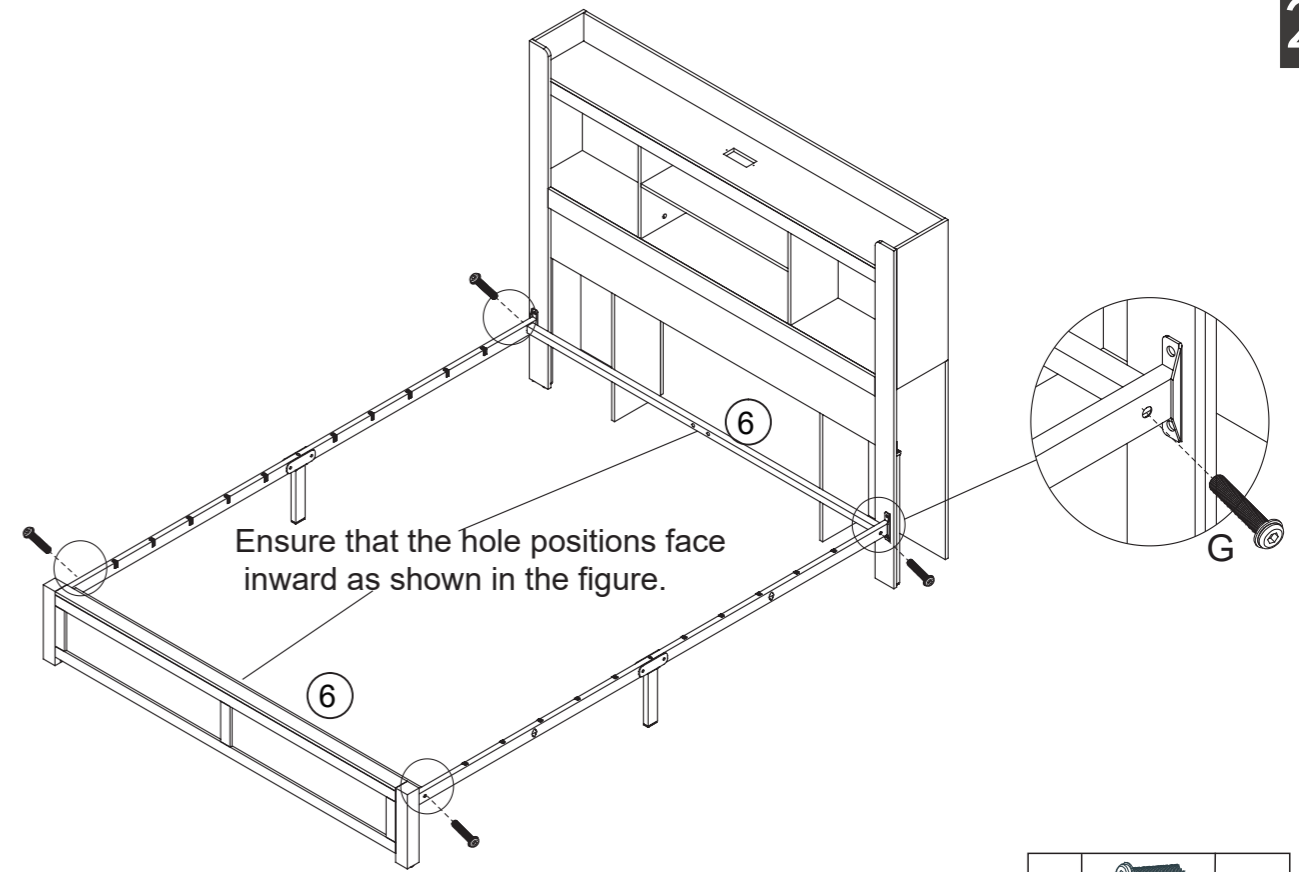
23



E M8x18 4PCS

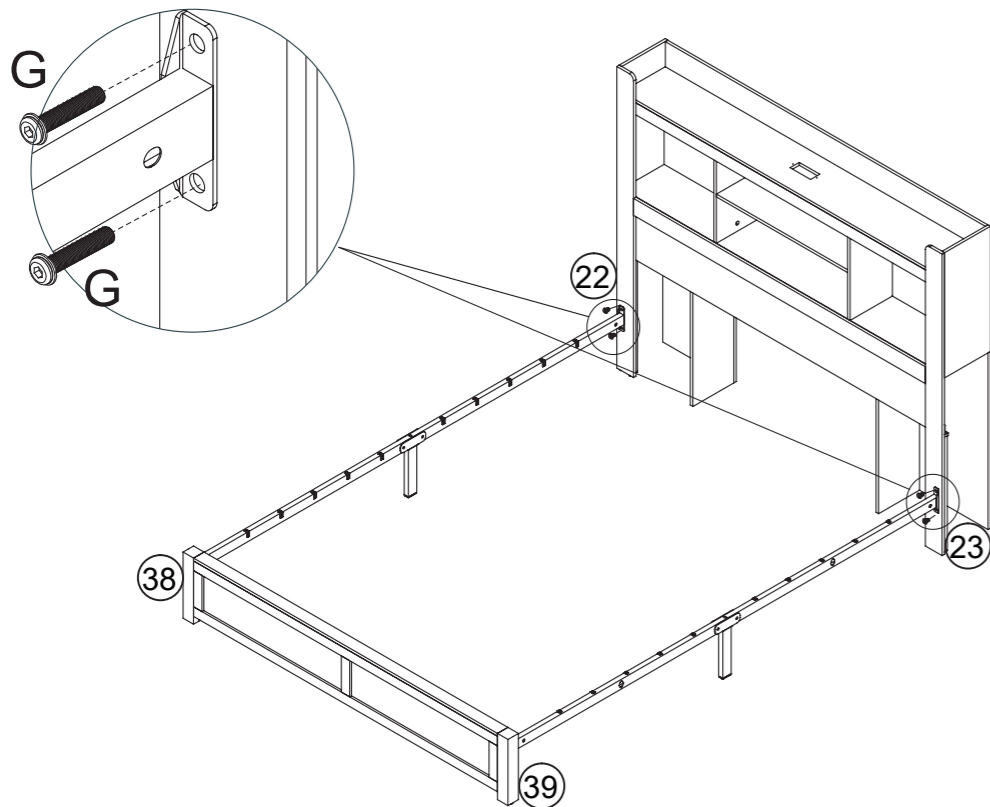
# ASSEMBLY INSTRUCTIONS

25



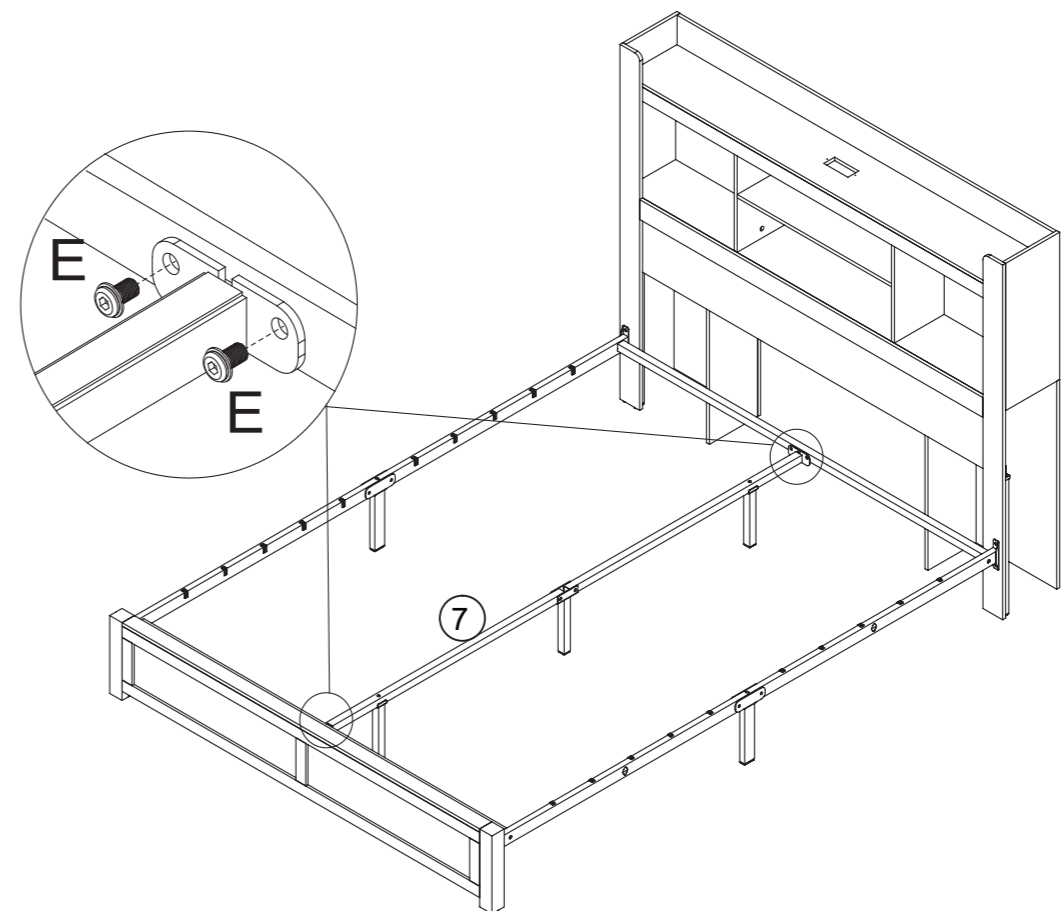
G M8x40 4PCS

24



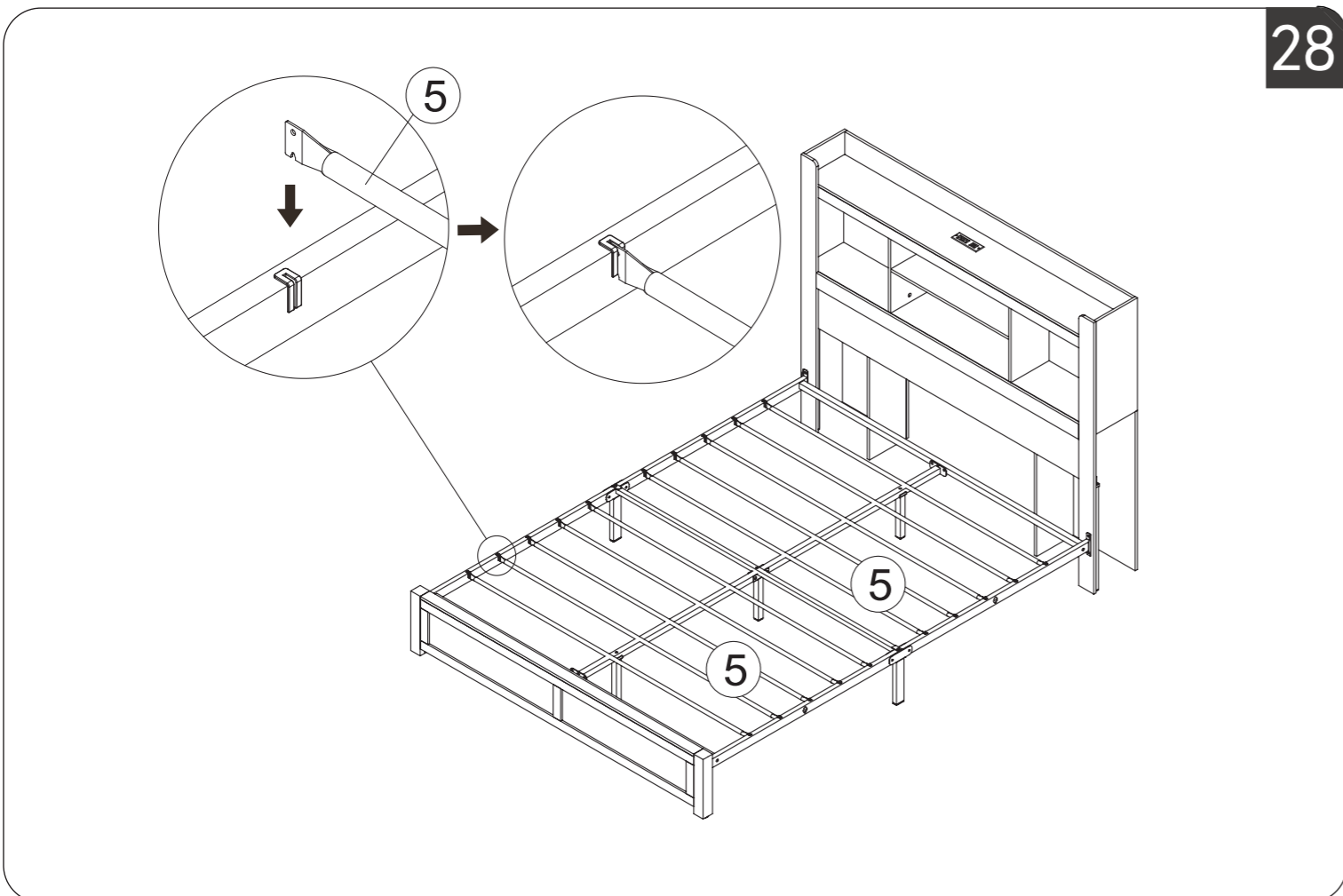
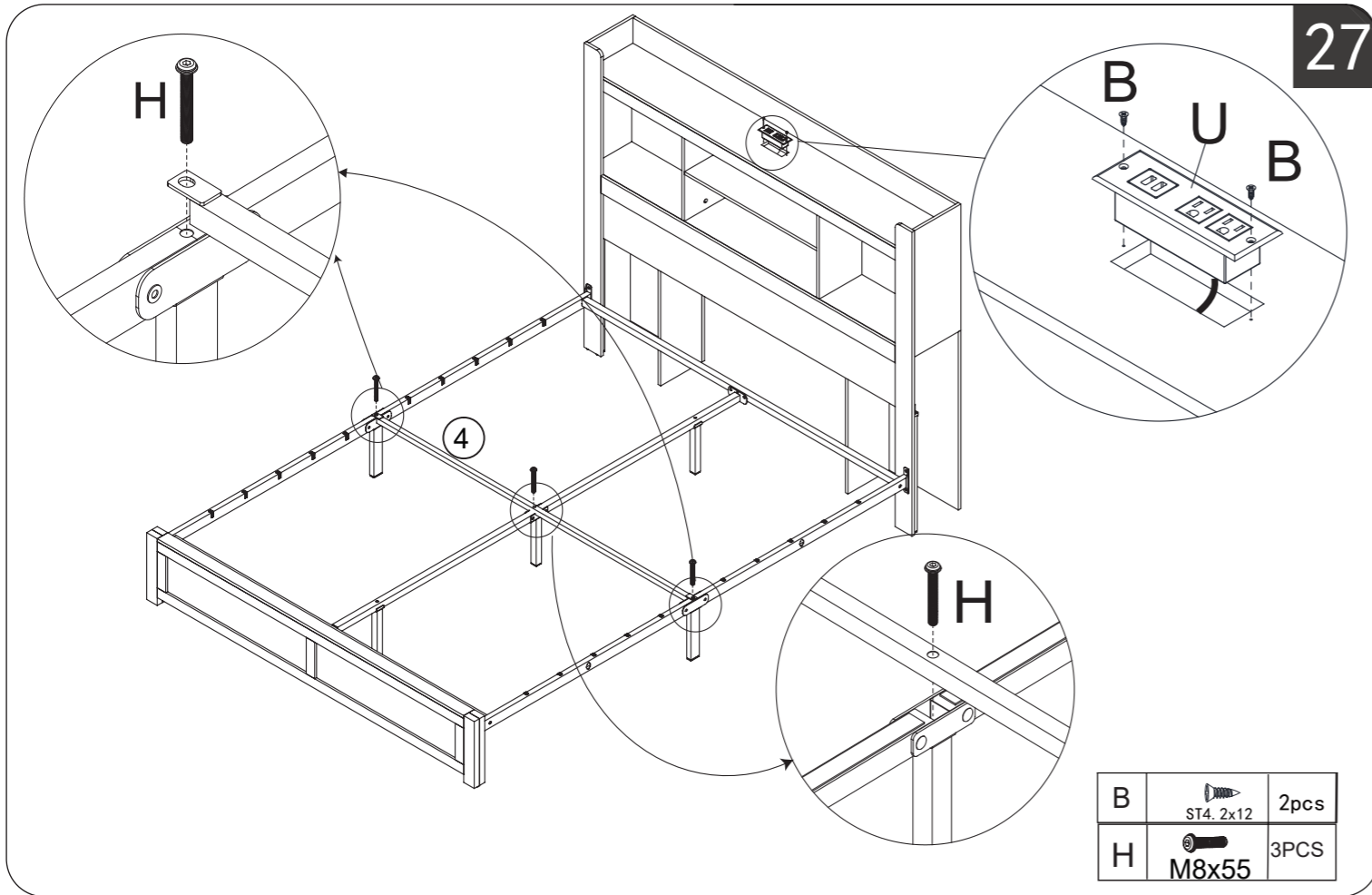
G M8x40 4PCS

26

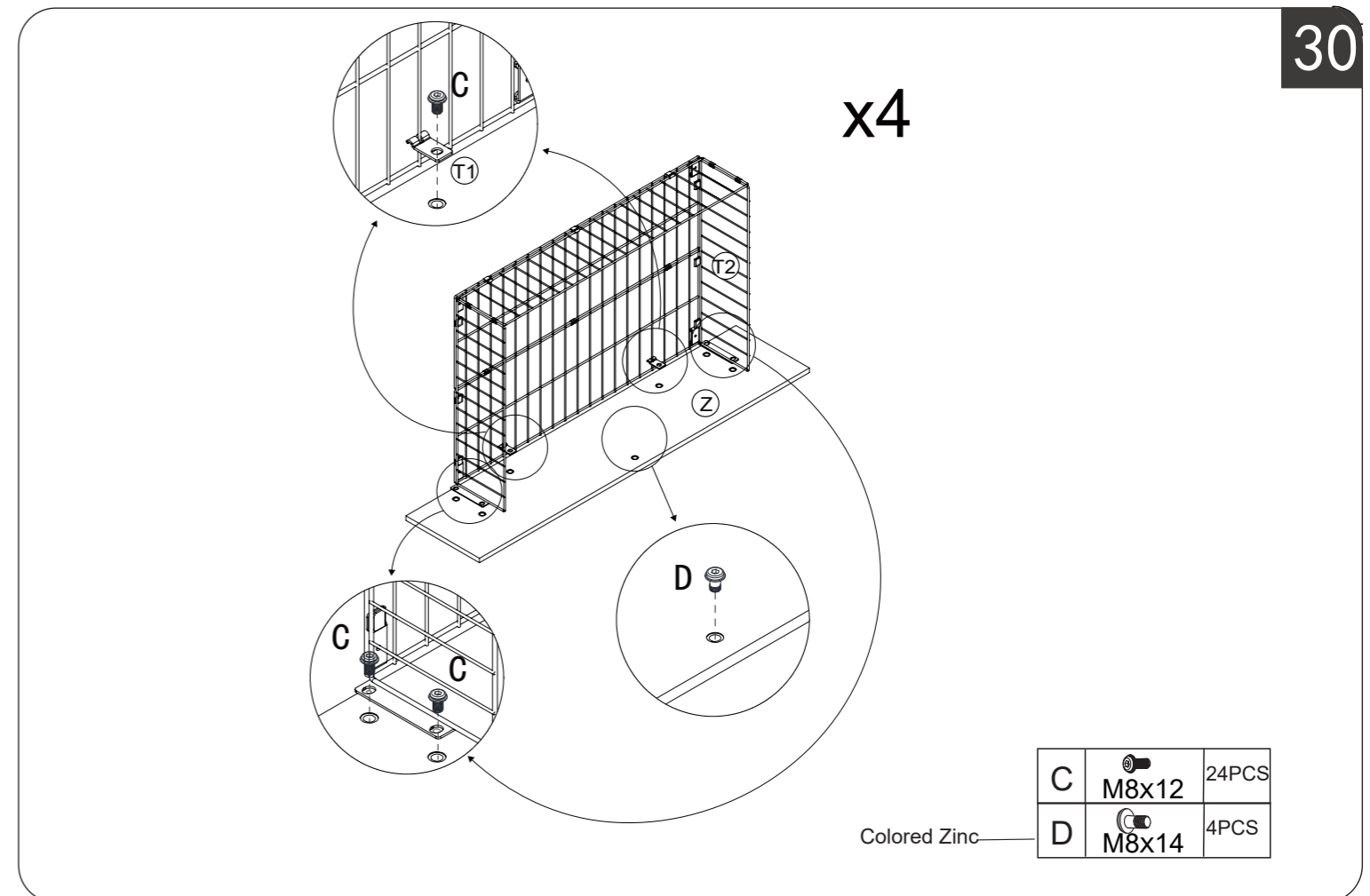
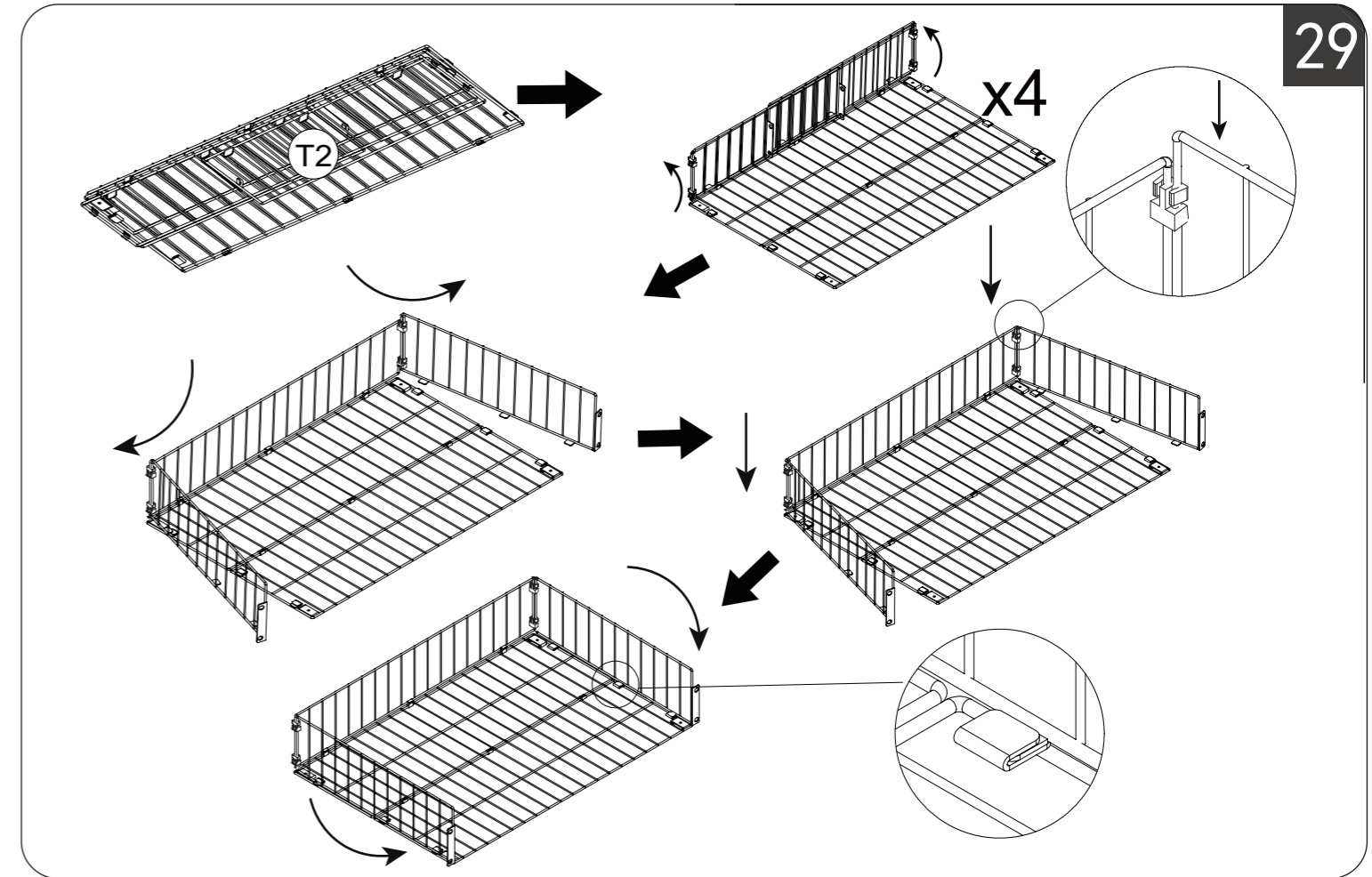


E M8x18 4PCS

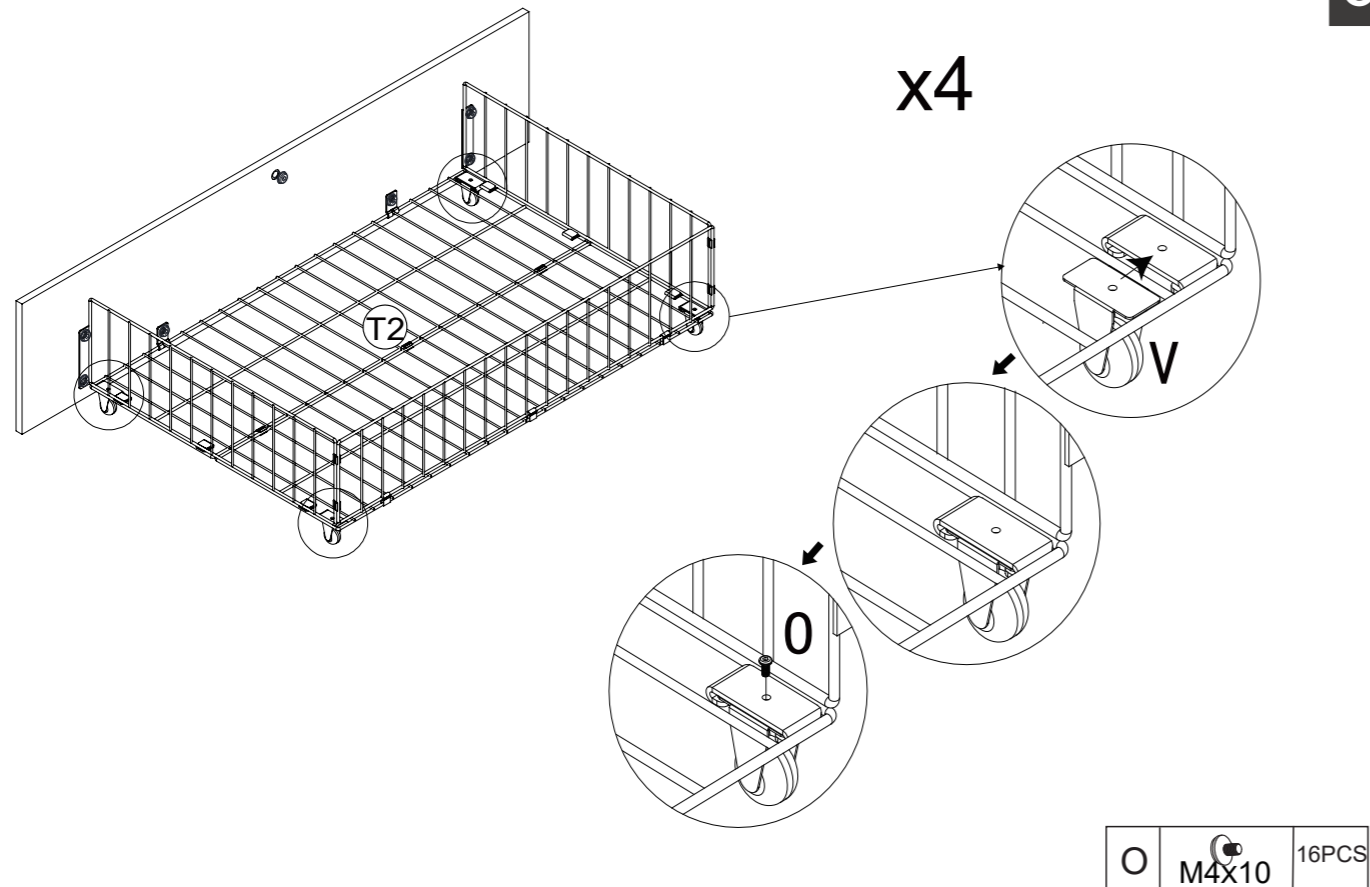
# ASSEMBLY INSTRUCTIONS



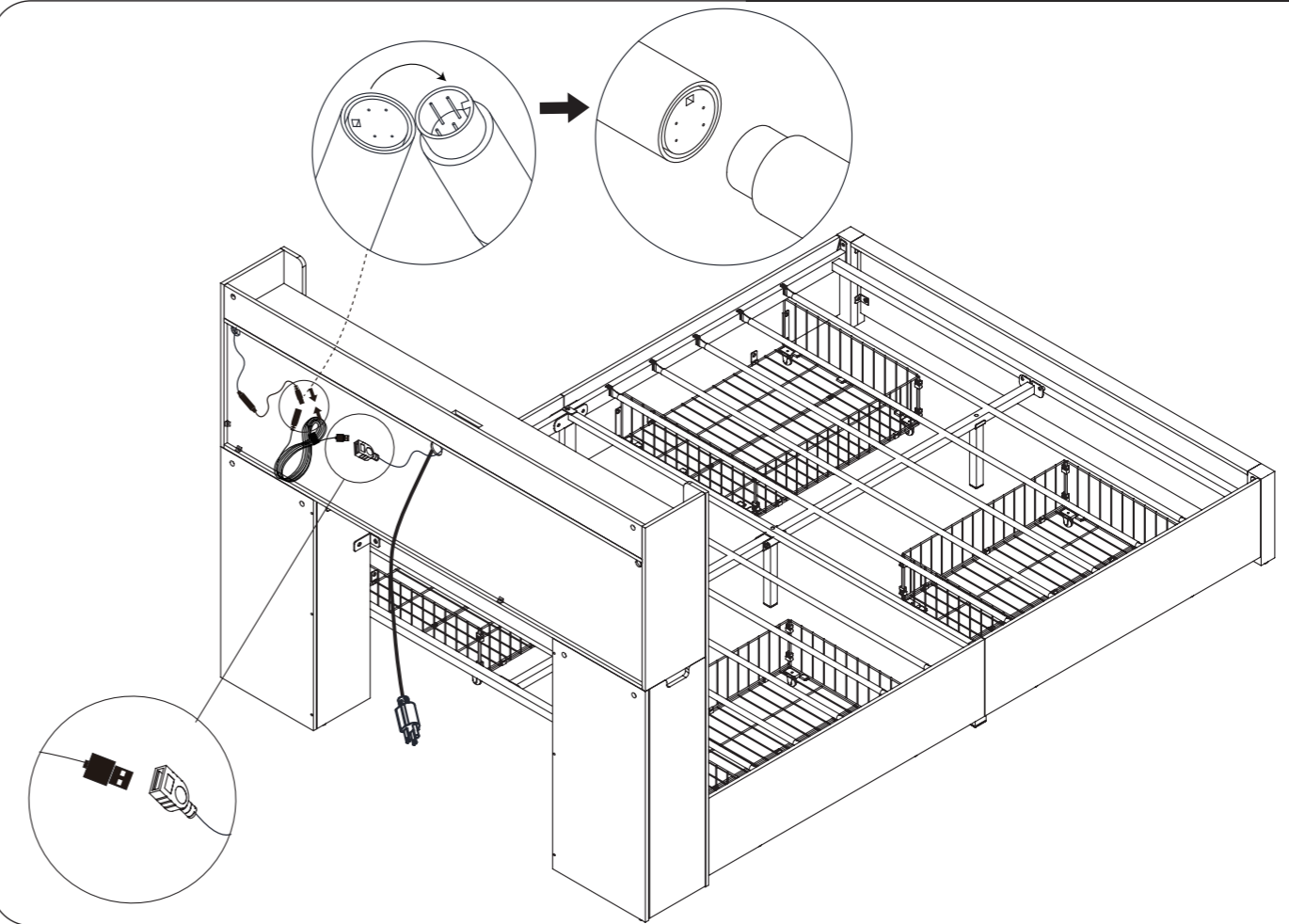
# ASSEMBLY INSTRUCTIONS



31



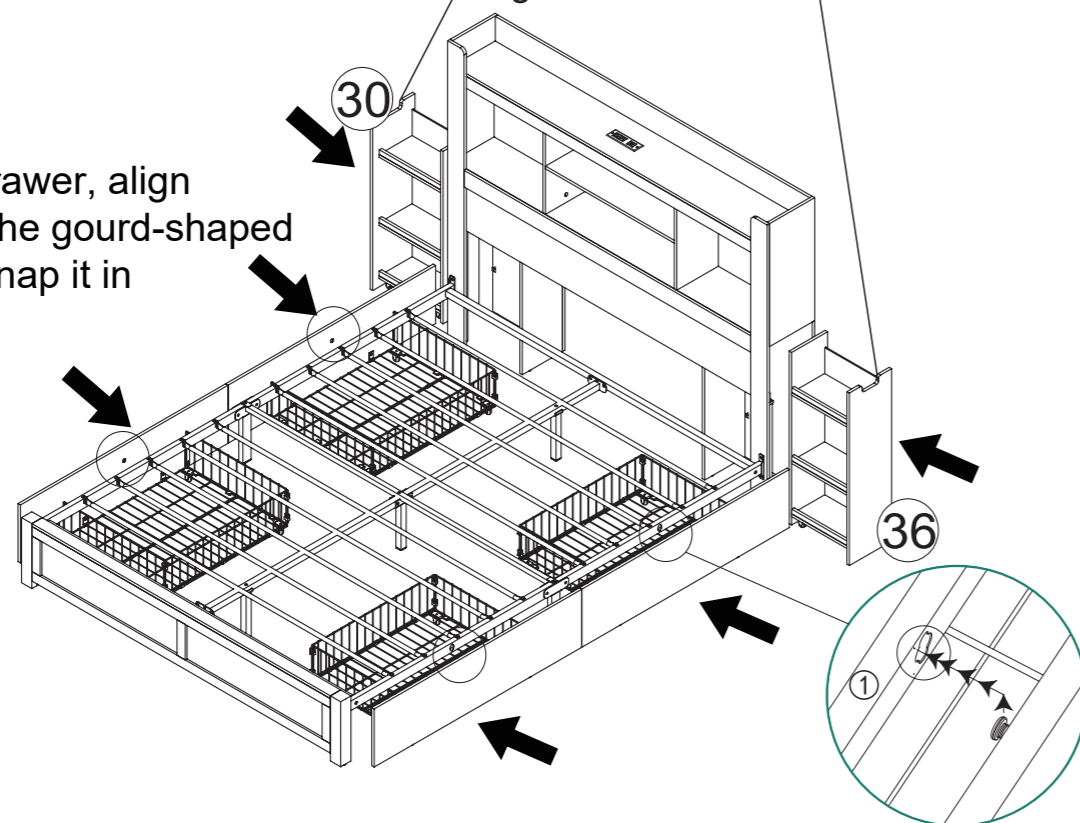
33



Please ensure that the bedside cabinets on both sides of the headboard are positioned in the direction shown in the figure.

32

Gently lift the drawer, align the screw with the gourd-shaped hole, and then snap it in



34

