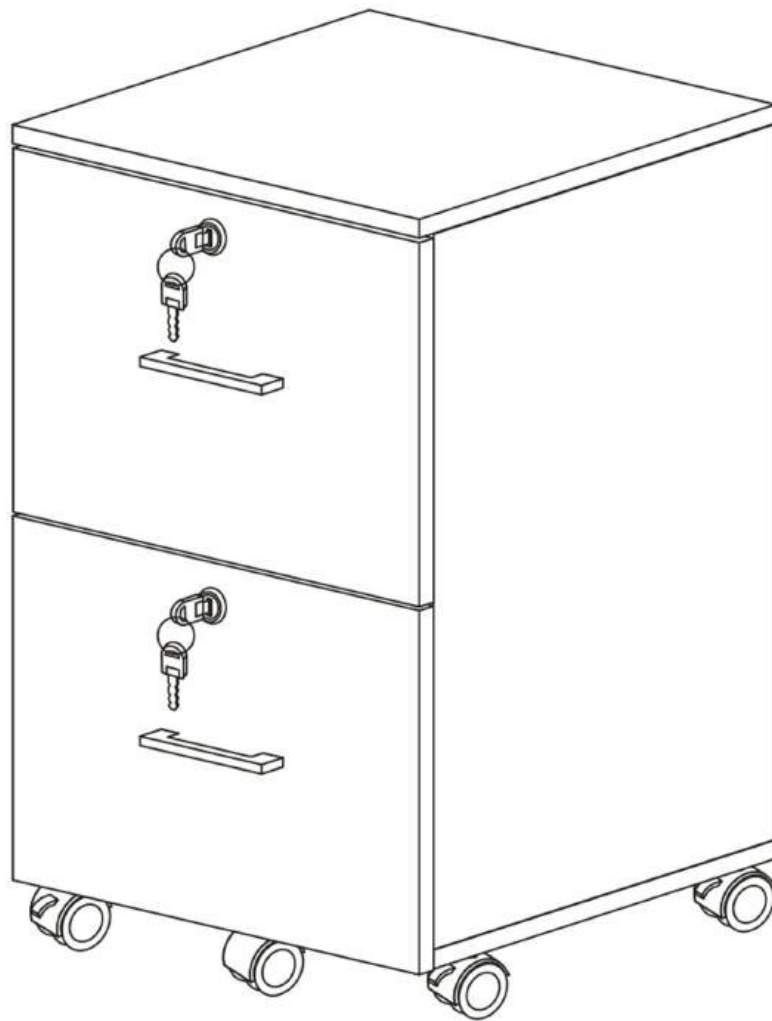
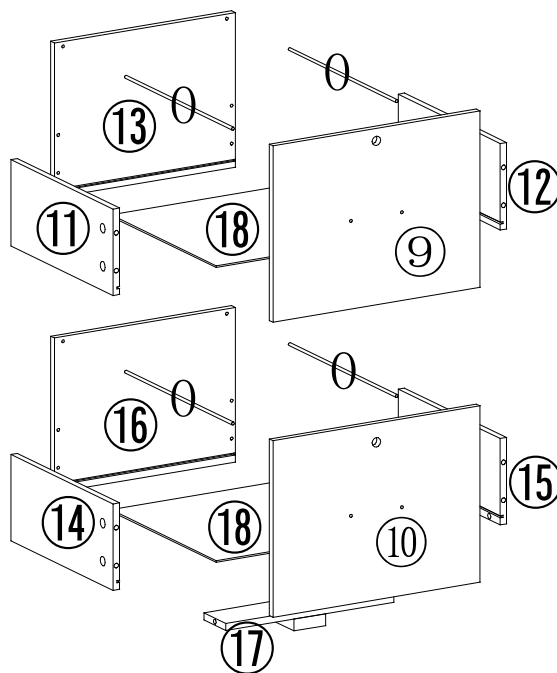
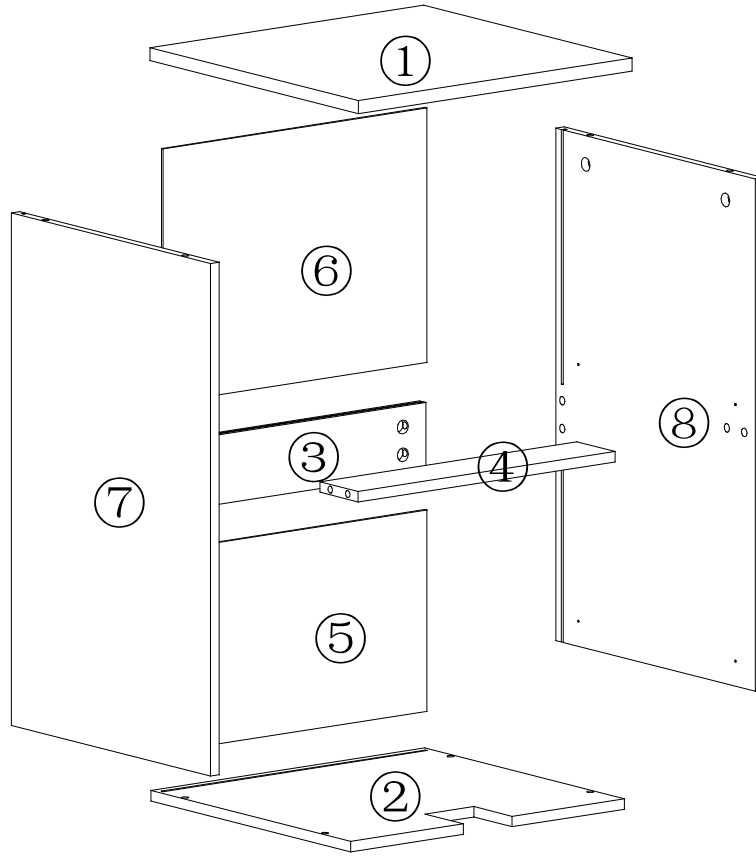


Installation & Assembly



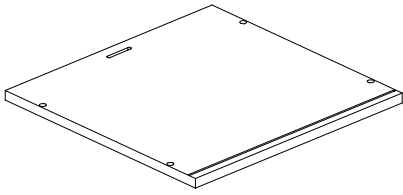
IDENTIFY PARTS

One unit per box



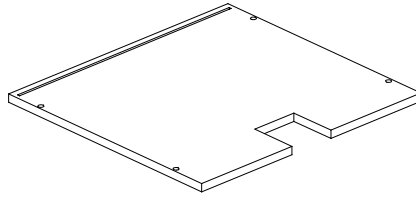
COMPONENTS

1



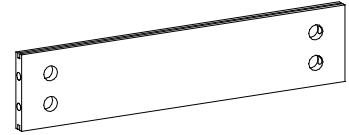
392*382*15mm
Top panel ×1

2



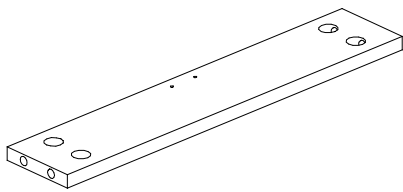
390*366*12mm
Bottom panel ×1

3



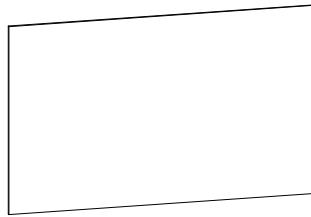
365*80*12mm
Back panel ×1

4



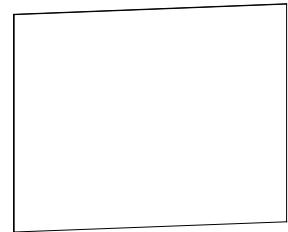
365*70*12mm
Cabinet pull plate ×1

5



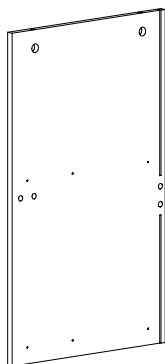
374*230*3mm
Back panel ×1

6



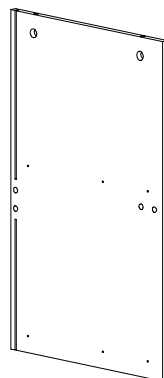
374*295*3mm
Back panel ×1

7



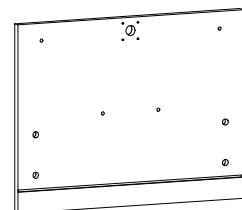
365*590*12mm
Left vertical plate ×1

8



365*590*12mm
Right vertical plate ×1

9



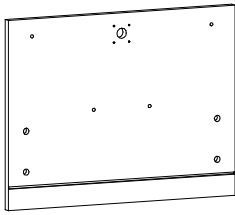
389*298*12mm
Drawer panel ×1

Components of furniture

Please check the board number and the hole on the board

COMPONENTS

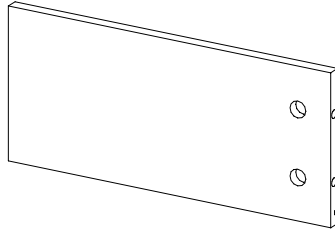
10



389*298*12mm

Drawer panel ×1

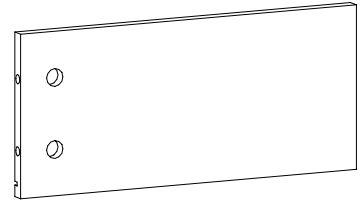
11



325*146*12mm

Drawer left coaming ×1

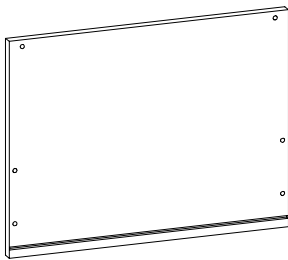
12



325*146*12mm

Drawer right coaming ×1

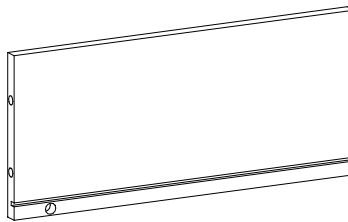
13



340*261*12mm

Drawer back plate ×1

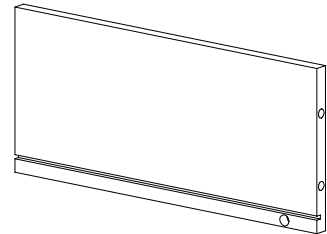
14



325*146*12mm

Drawer left coaming ×1

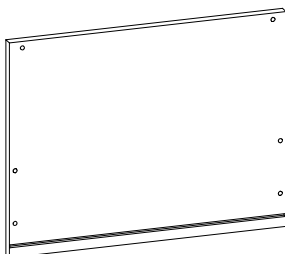
15



325*146*12mm

Drawer right coaming ×1

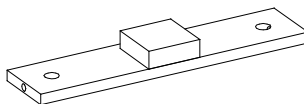
16



340*261*12mm

Drawer back plate ×1

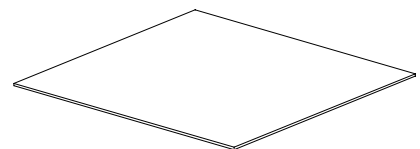
17



325*70*12mm

Drawer pull plate ×1

18



325*333*3mm

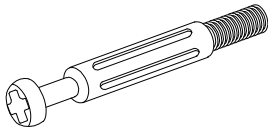
Drawer base plate ×2

Components of furniture

Please check the board number and the hole on the board

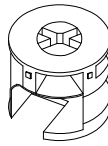
COMPONENTS

A



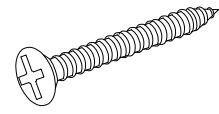
M7*40mm
Cam Bolt ×22

B



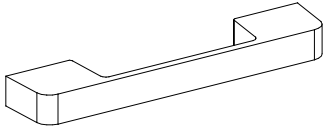
φ15mm
Cam Lock ×22

C



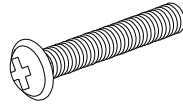
M4*35mm
Screw ×8

D



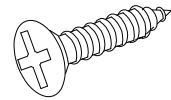
96mm
Handle ×2

E



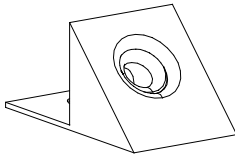
M4*16mm
Screw ×4

F



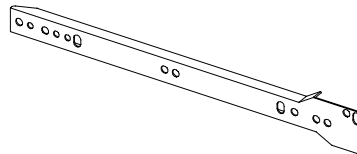
M3.5*12mm
Screw ×42

G



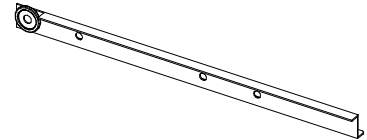
Back board Buckle ×8

H



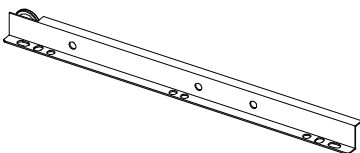
14"
Drawer Slide ×2

I



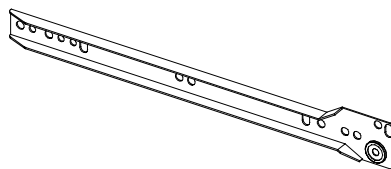
14"
Drawer Slide ×2

J



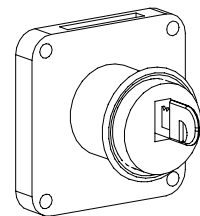
14"
Drawer Slide ×2

K



14"
Drawer Slide ×2

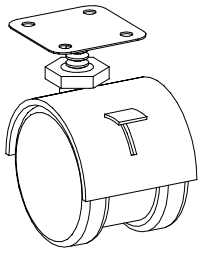
L



Lock & Keys ×2

COMPONENTS

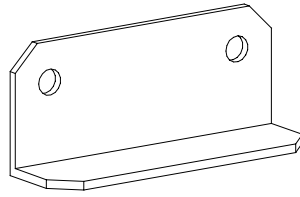
M



2"

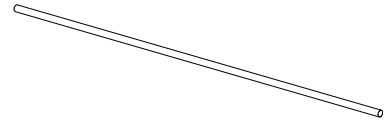
Caster ×4

N



Lock Latch ×1

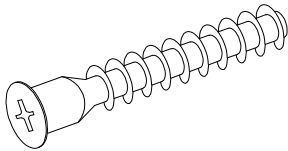
O



φ5*335mm

Hanging Rod ×4

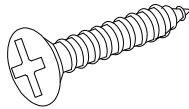
P



M5*40mm

Screw ×4

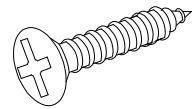
Q



M3.5*16mm

Screw ×8

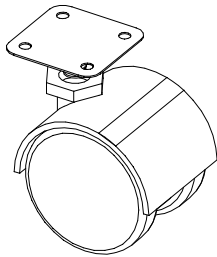
R



M3.5*14mm

Screw ×8

T

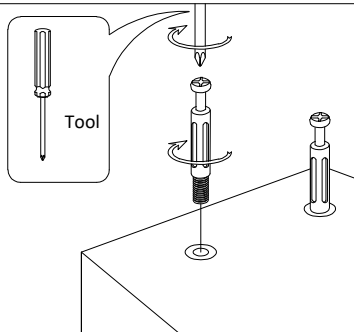


2"

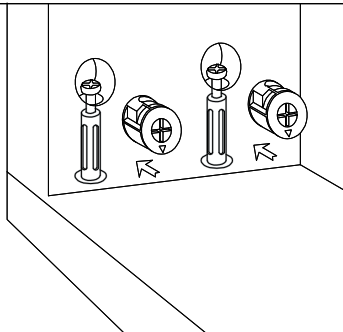
Caster ×1

"A&B" Hardware installation example

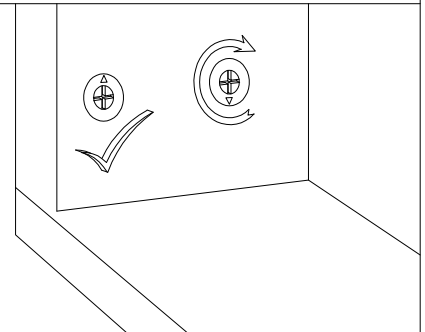
I



II

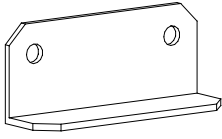


III

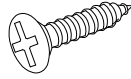


ASSEMBLY STEPS

Installation requirements and accessories



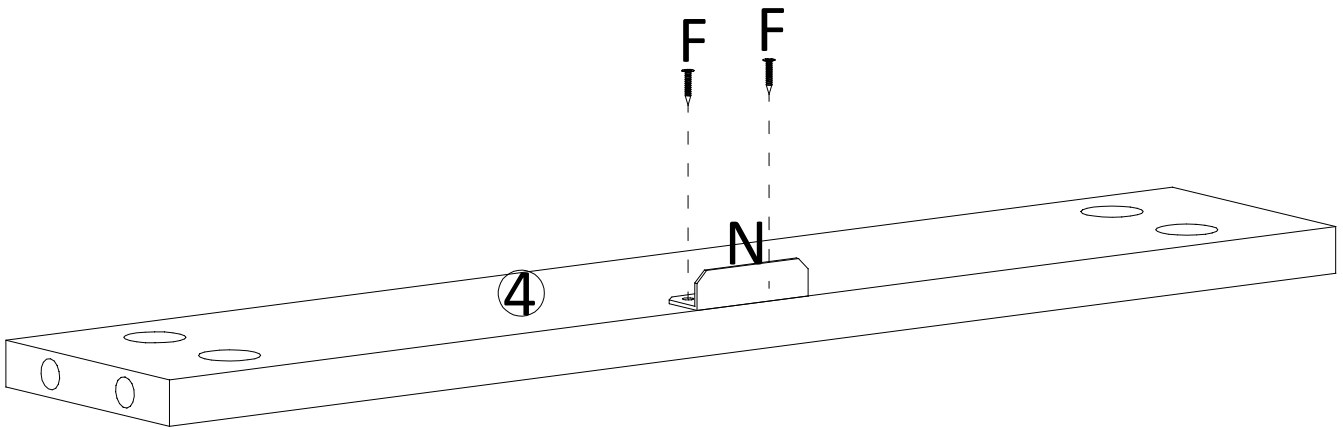
N×1 PC



F×2 PCS

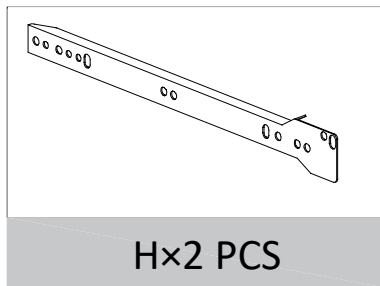
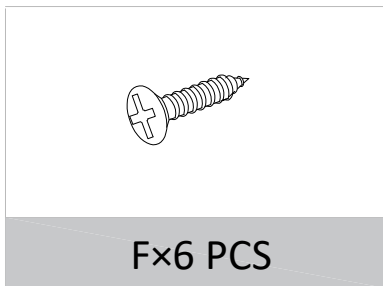
STEP 1

Align N with the positioning hole of 4 and fix it with F.



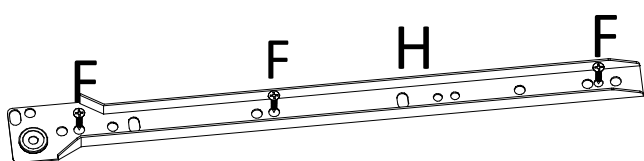
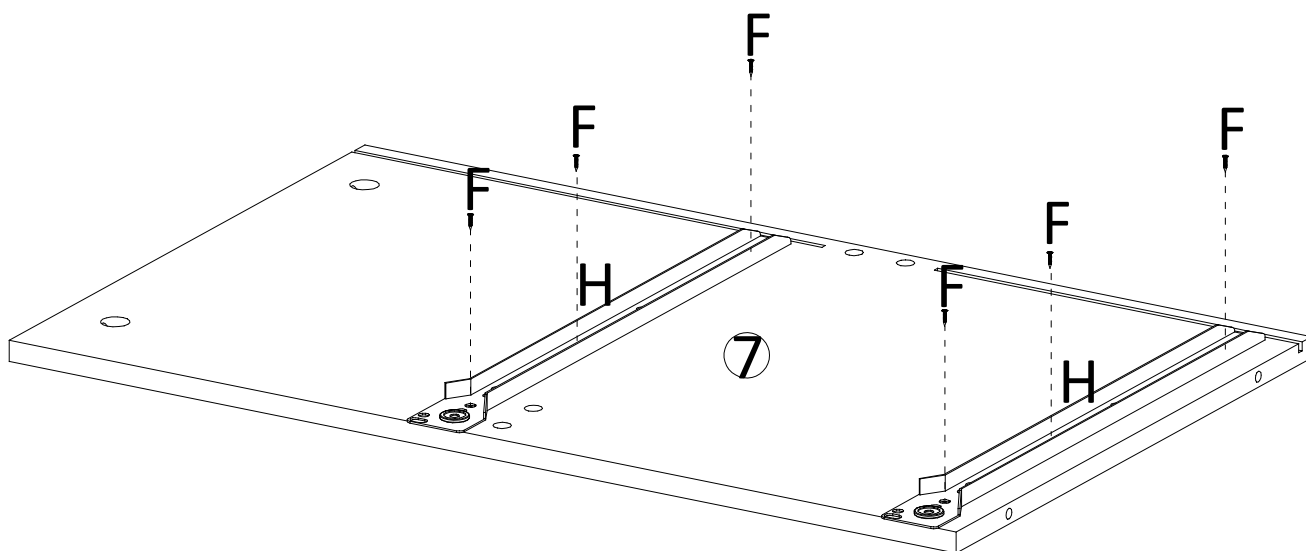
ASSEMBLY STEPS

Installation requirements and accessories



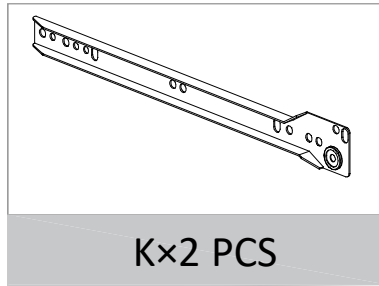
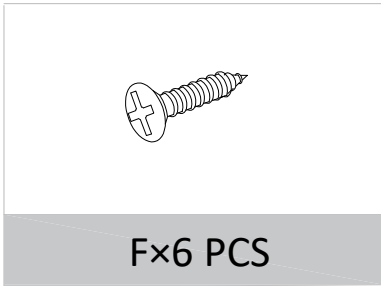
STEP 2

Fix H on 7 with F according to the hole position marked in the schematic diagram, with the front end of H flush with 7.



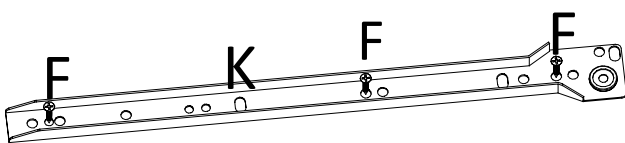
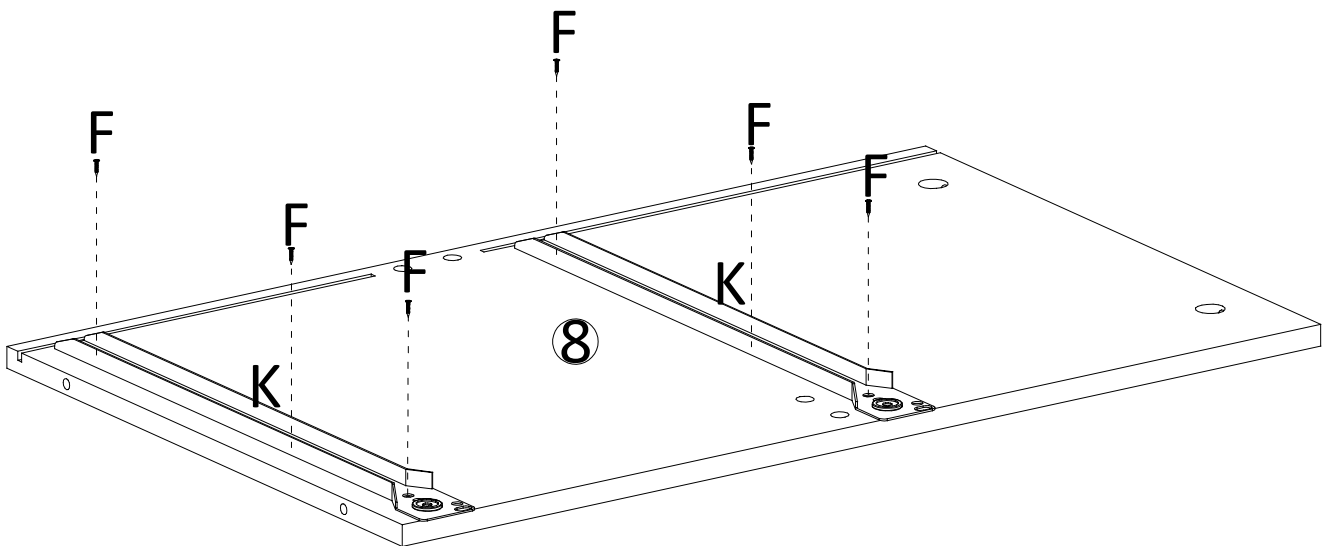
ASSEMBLY STEPS

Installation requirements and accessories



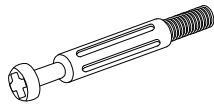
STEP 3

According to the marked hole position in the diagram, fix K with F on 8, with the front end of K flush with 8.

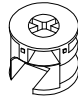


ASSEMBLY STEPS

Installation requirements and accessories



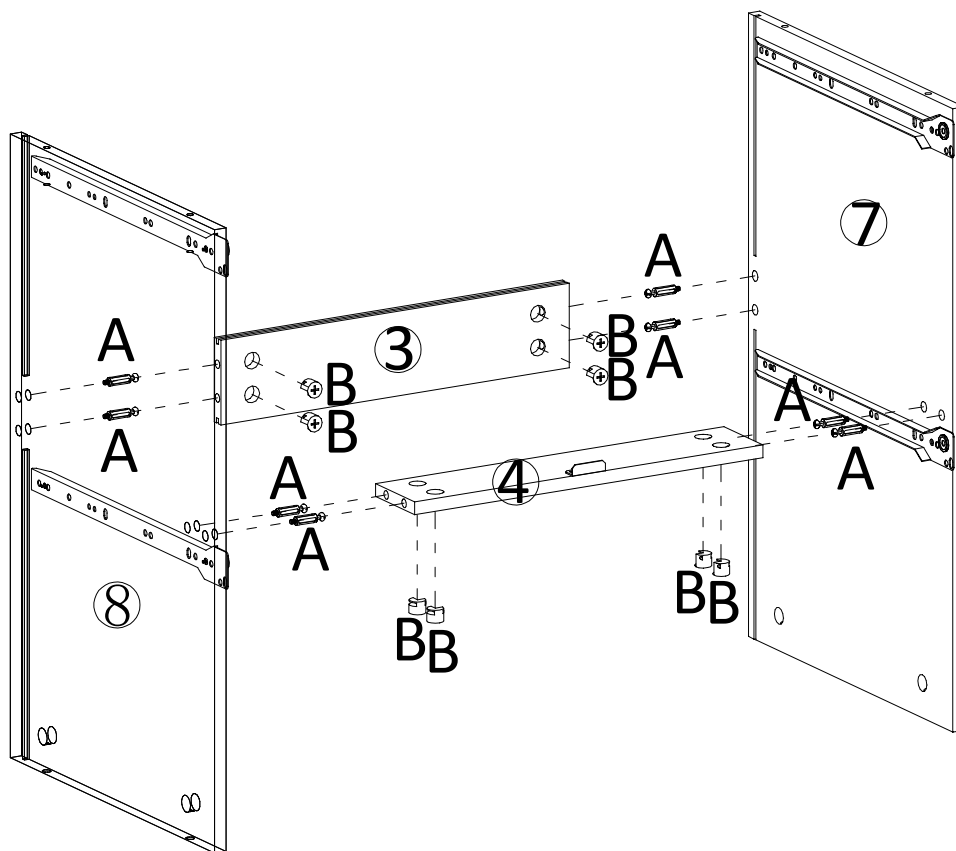
A×8 PCS



B×8 PCS

STEP 4

Screw A into the white holes of 7 and 8, and splice 3&4&7&8 together. Insert B into the hole of 3&4 and tighten it securely.

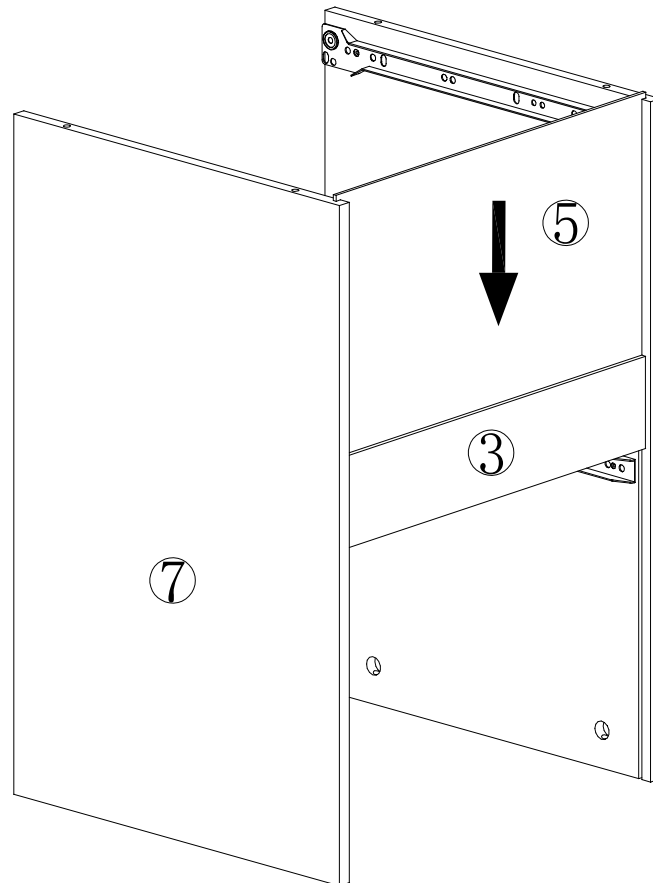


ASSEMBLY STEPS

Installation requirements and accessories

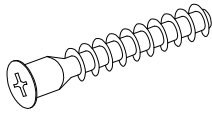
STEP 5

Insert 3&7&8 along the slot.



ASSEMBLY STEPS

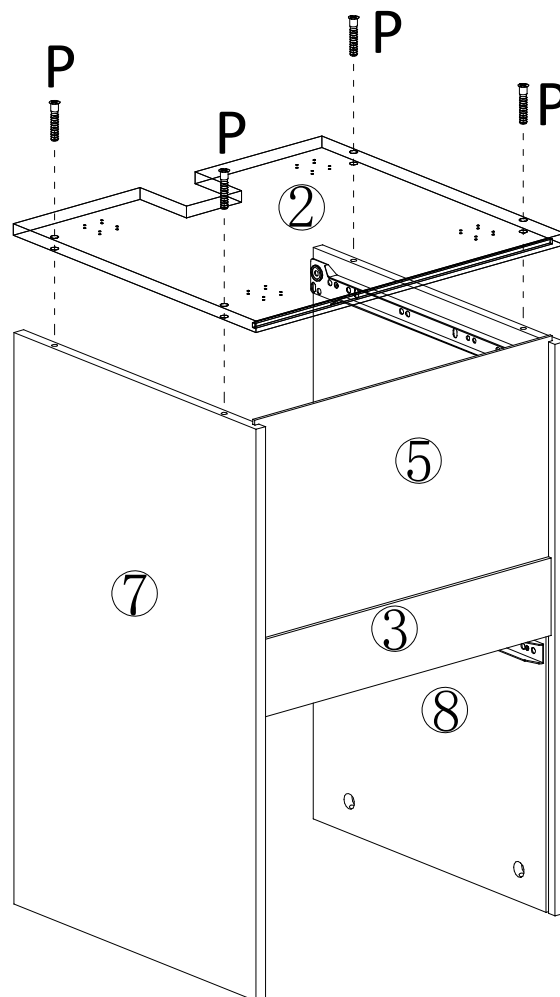
Installation requirements and accessories



P×4 PCS

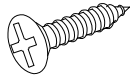
STEP 6

Position notch 2 facing forward with the locating hole facing upwards, place it at the top, and insert slot 5 into slot 2, securing it with P.

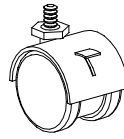


ASSEMBLY STEPS

Installation requirements and accessories



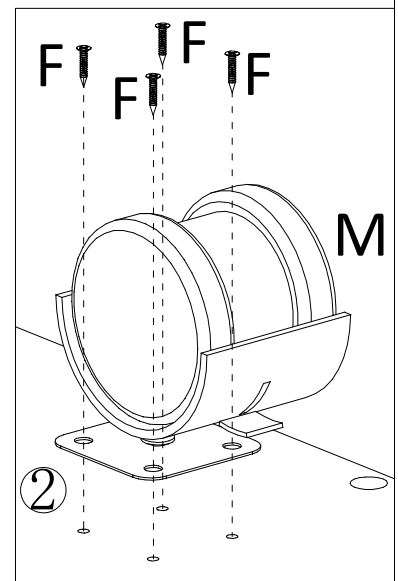
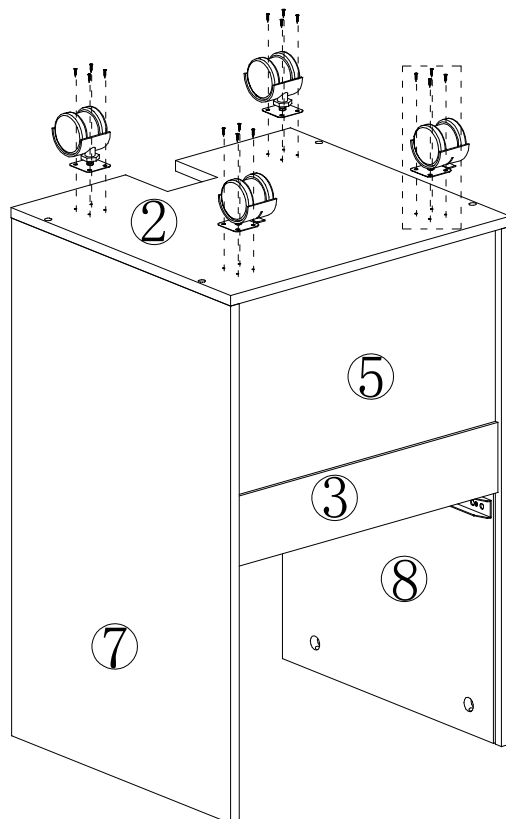
F×16 PCS



M×4 PCS

STEP 7

Invert M, align with the positioning hole and fix with F, and flip the cabinet after installation is complete.

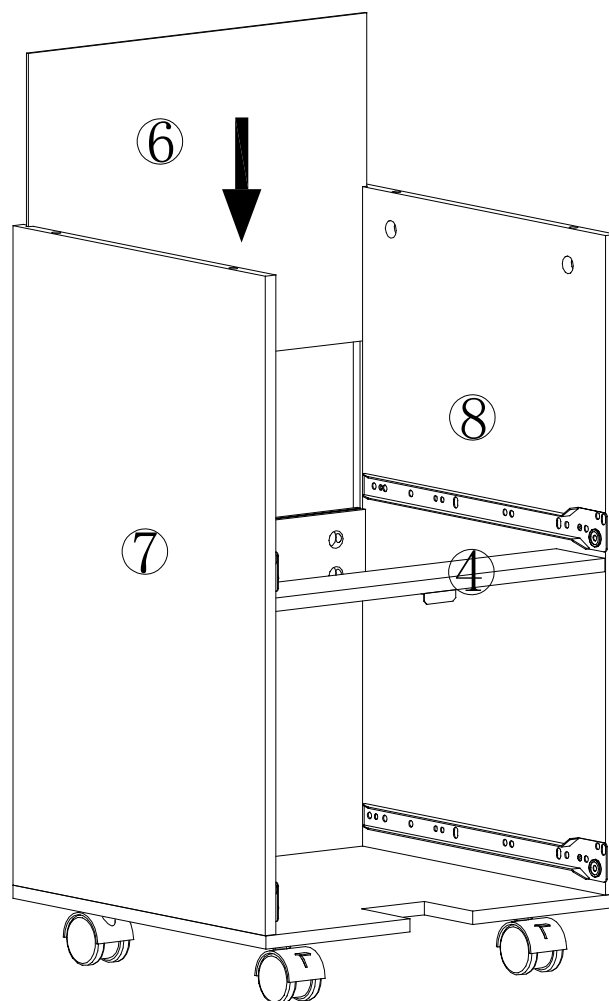


ASSEMBLY STEPS

Installation requirements and accessories

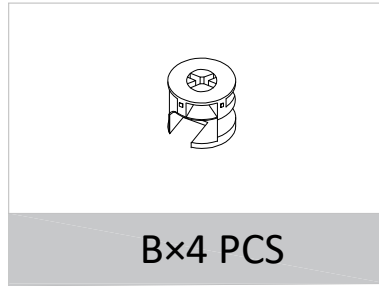
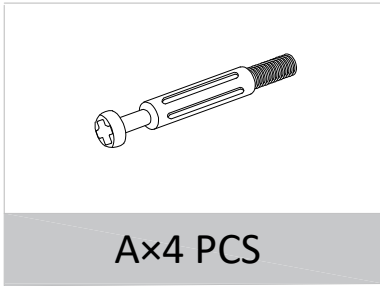
STEP 8

Insert 6 into the slot of 3&7&8.



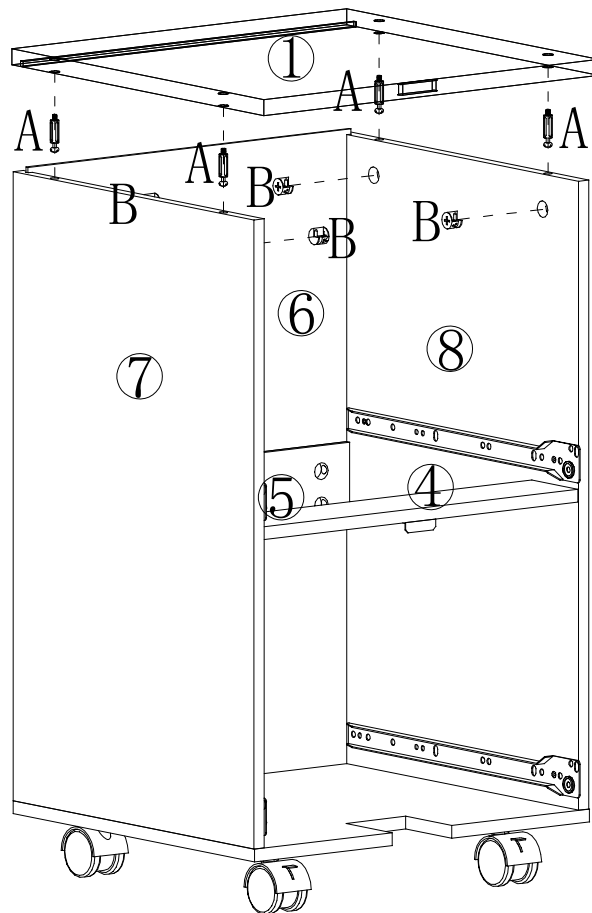
ASSEMBLY STEPS

Installation requirements and accessories



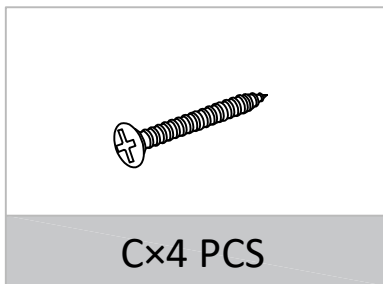
STEP 9

Use A to screw into the white hole of 1, align with 7&8 for installation, and insert 6 into the slot of 1. Use B to tighten and fix it in the hole of 7&8.



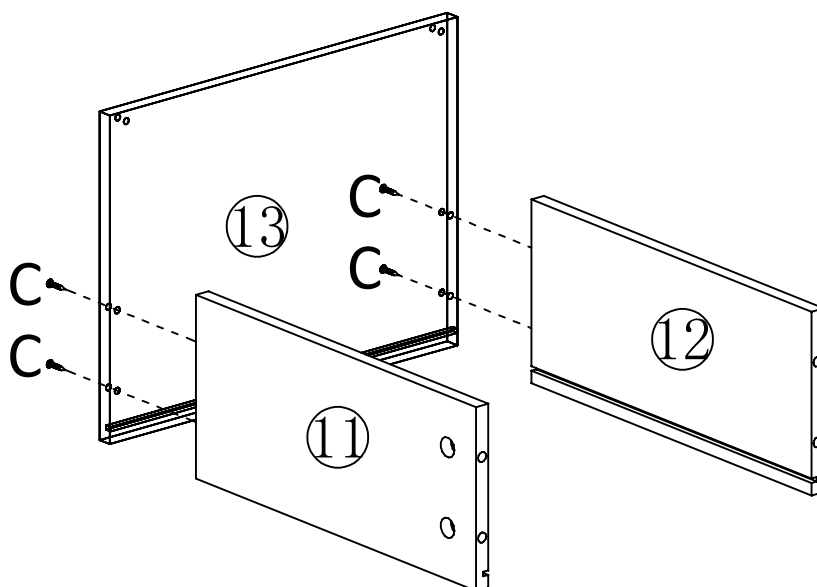
ASSEMBLY STEPS

Installation requirements and accessories



STEP 10

C passes through 13 and fixes 11 and 12.

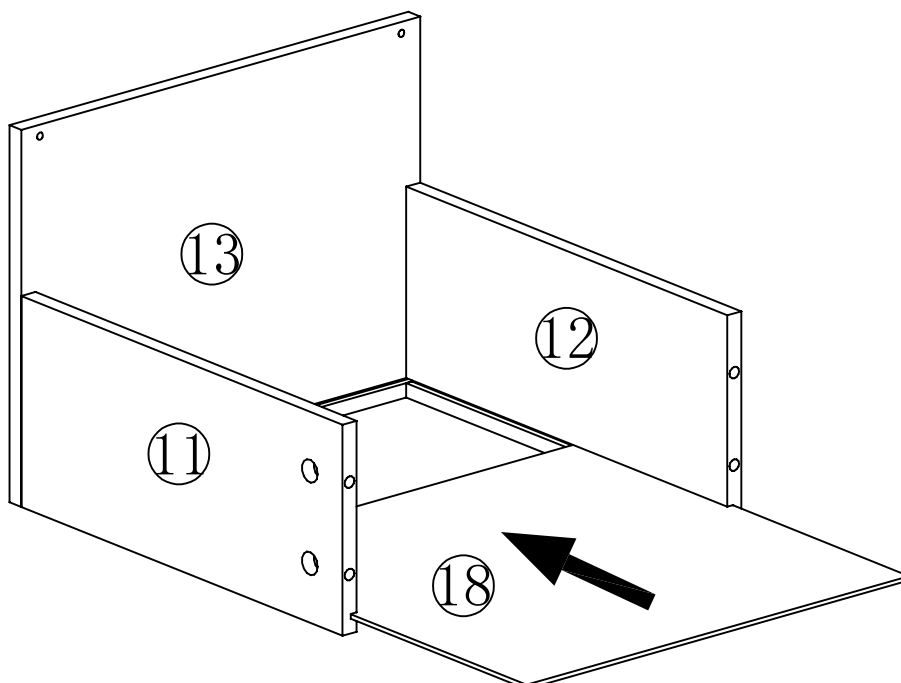


ASSEMBLY STEPS

Installation requirements and accessories

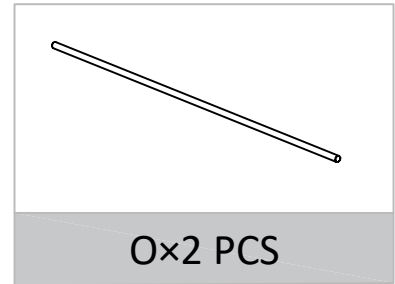
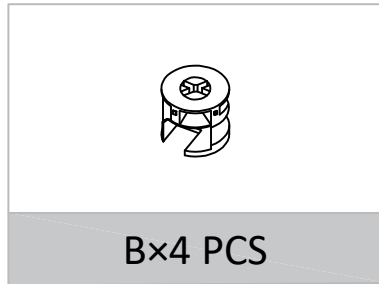
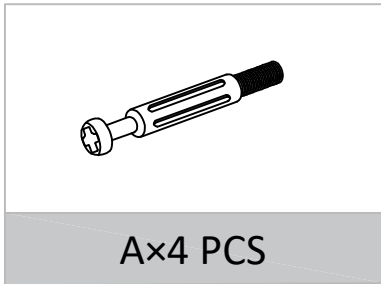
STEP 11

Insert 18 into slot 11&12&13.



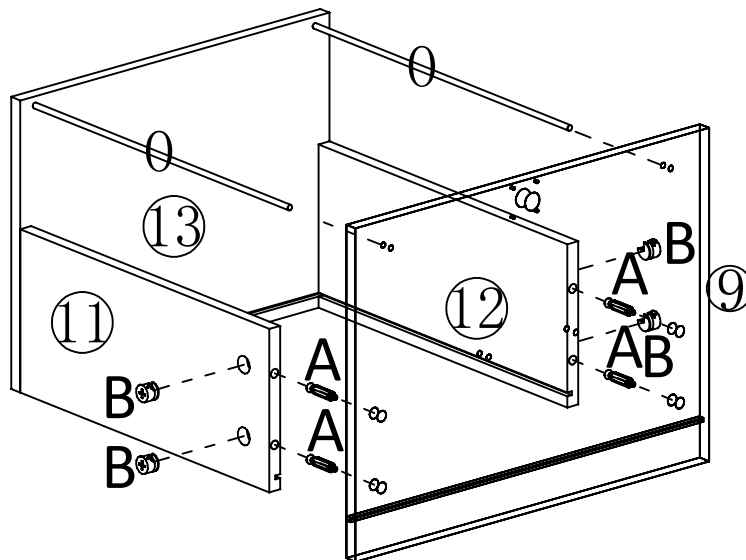
ASSEMBLY STEPS

Installation requirements and accessories



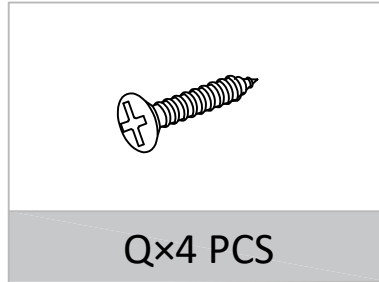
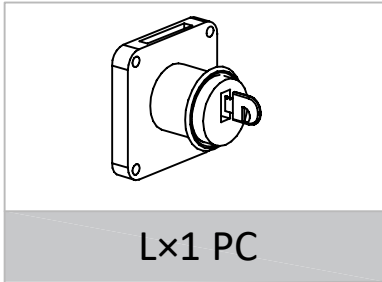
STEP 12

A is fixed at 9 and linked to 11&12, while O is inserted into the 9 holes and fixed with B.



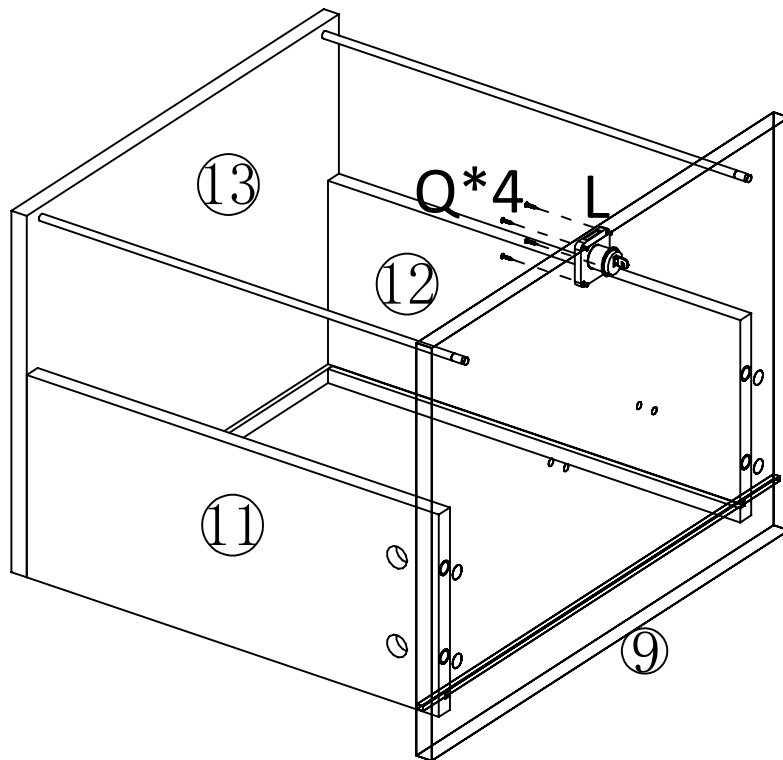
ASSEMBLY STEPS

Installation requirements and accessories



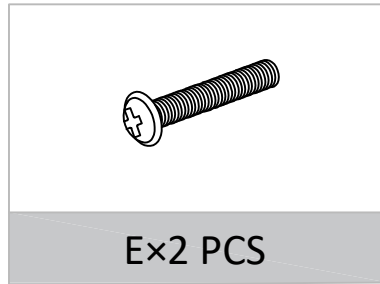
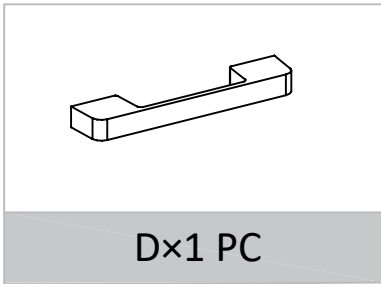
STEP 13

Remove the L circle, insert the lock into 9, fix the front with a circle, and fix the back with Q.



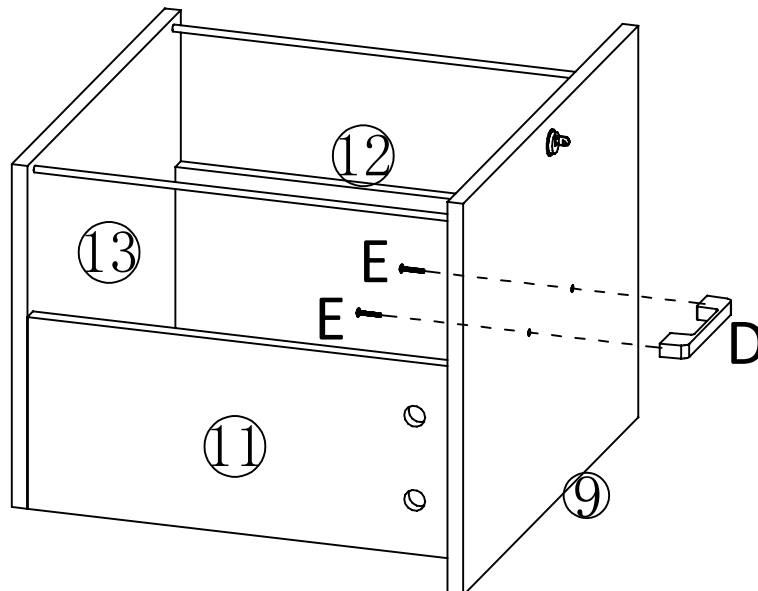
ASSEMBLY STEPS

Installation requirements and accessories



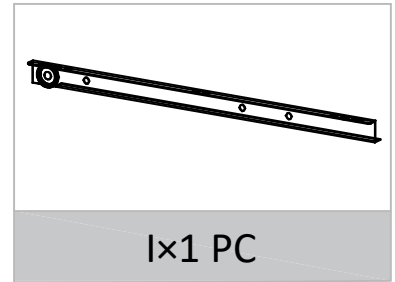
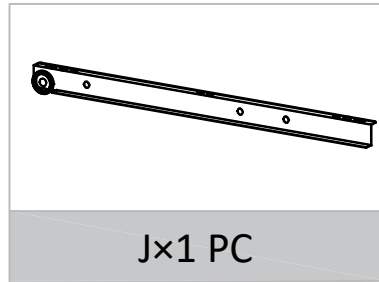
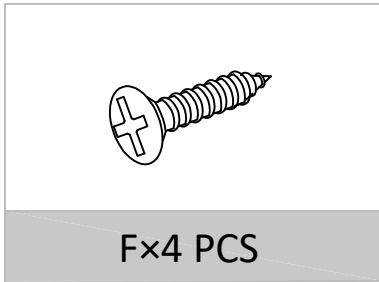
STEP 14

E passes through 9 from the back, and D is fixed on the front.



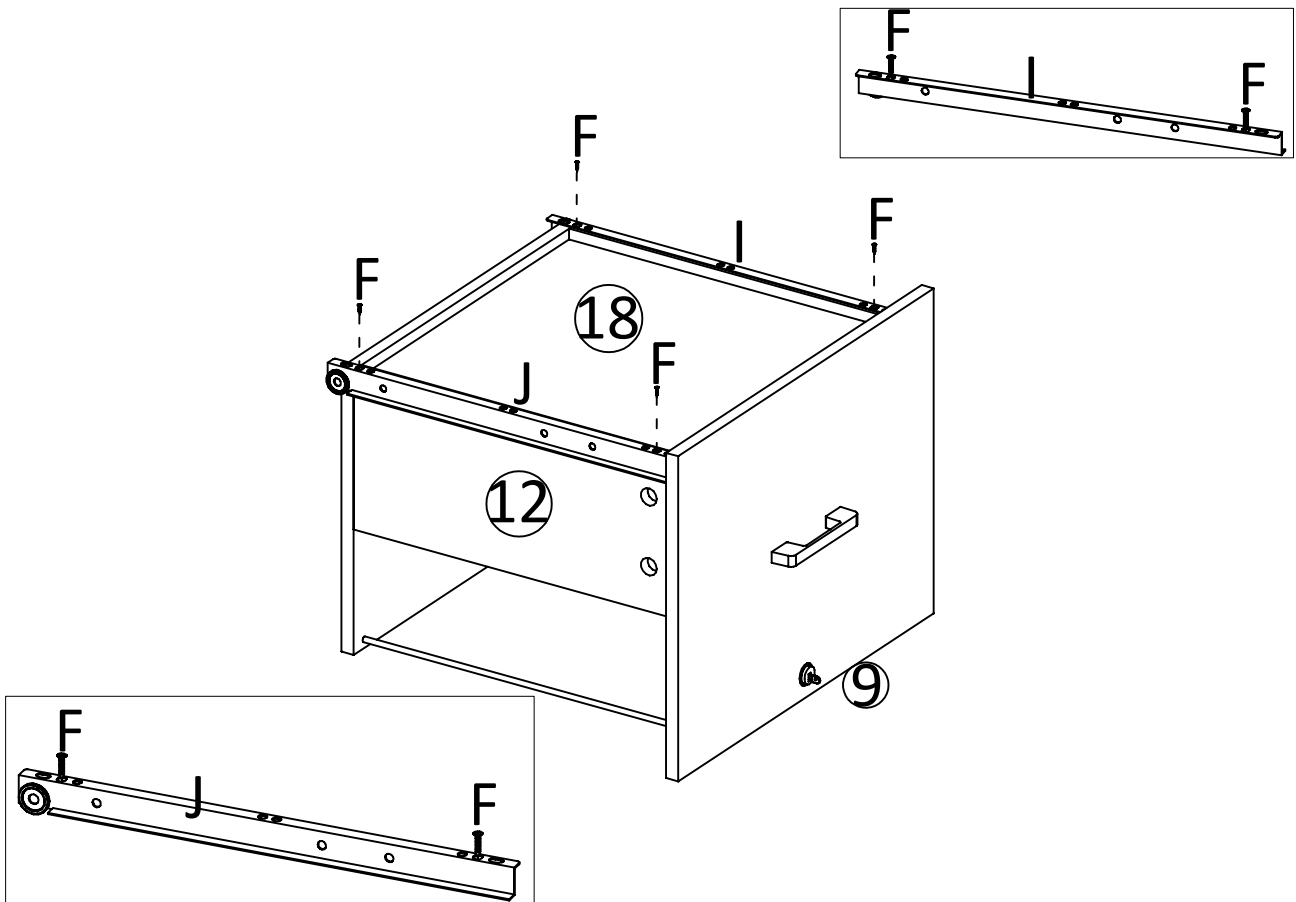
ASSEMBLY STEPS

Installation requirements and accessories



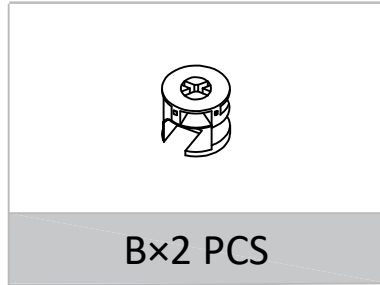
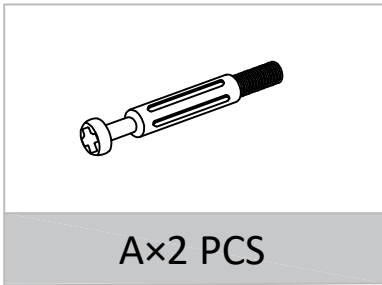
STEP 15

Flip the drawer over, J is at 12, I is at 11, and fix the holes with F according to the schematic diagram.



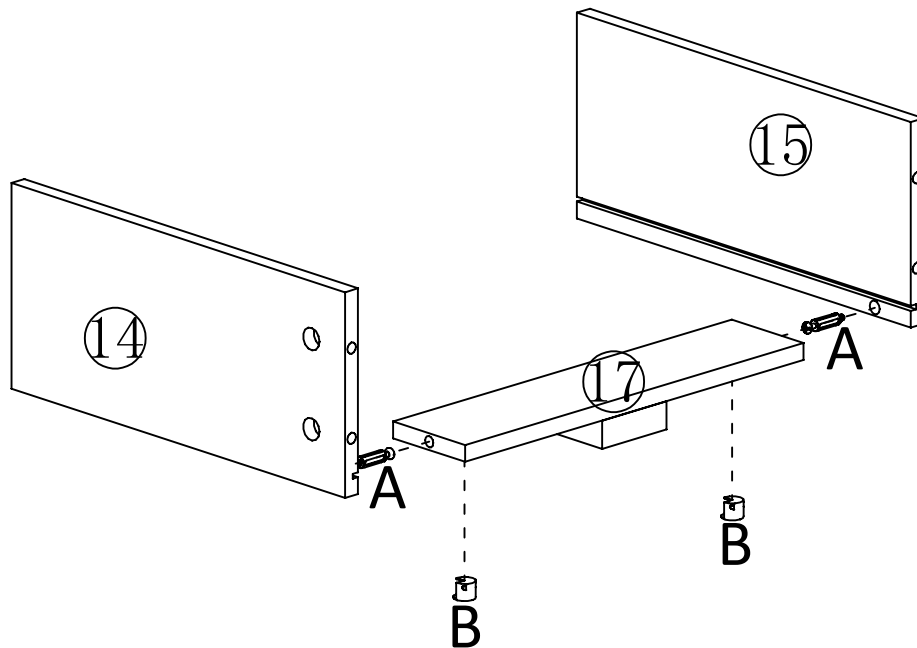
ASSEMBLY STEPS

Installation requirements and accessories



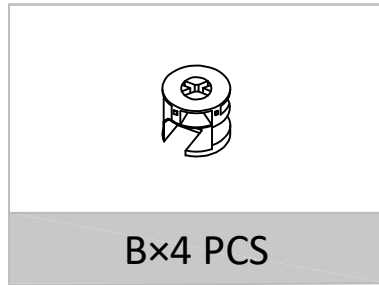
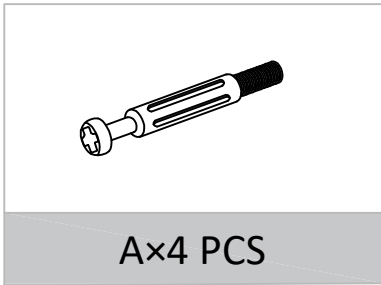
STEP 16

A is screwed into the white particles of 14 & 15, 17 is linked to 14 & 15, and fixed with B.



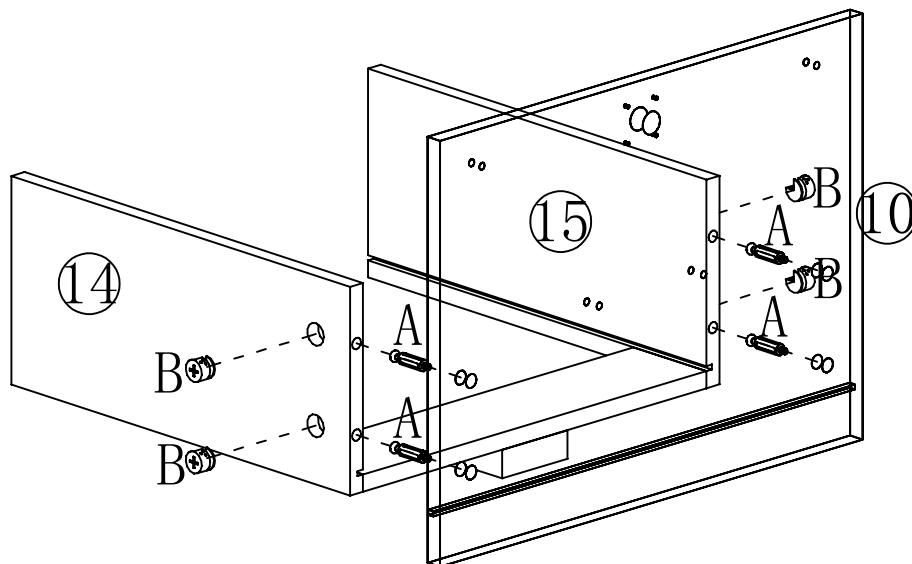
ASSEMBLY STEPS

Installation requirements and accessories



STEP 17

Insert A into 10 white particles, link 14 & 15, and secure with B.

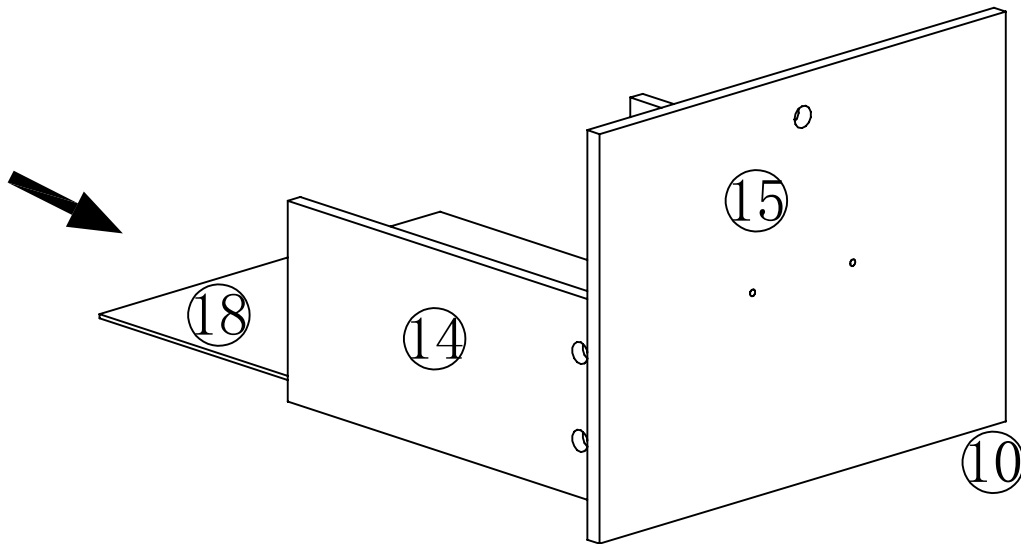


ASSEMBLY STEPS

Installation requirements and accessories

STEP 18

Insert 18 into slots 10&14&15.

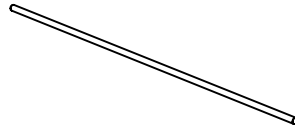


ASSEMBLY STEPS

Installation requirements and accessories



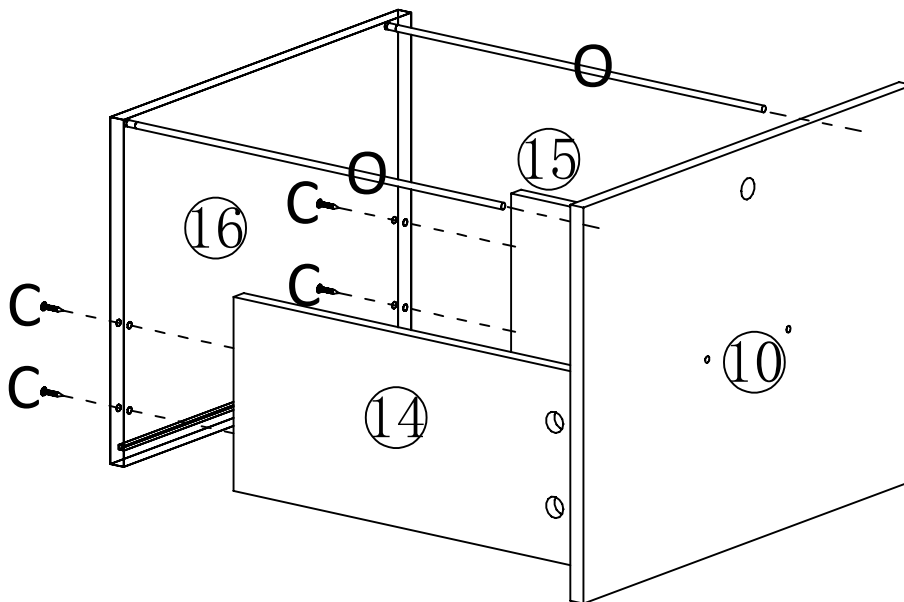
C×4 PCS



O×2 PCS

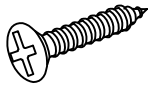
STEP 19

C passes through 16 links 14 and 15, while O is inserted into the holes corresponding to 10 and 16.

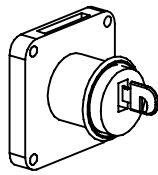


ASSEMBLY STEPS

Installation requirements and accessories



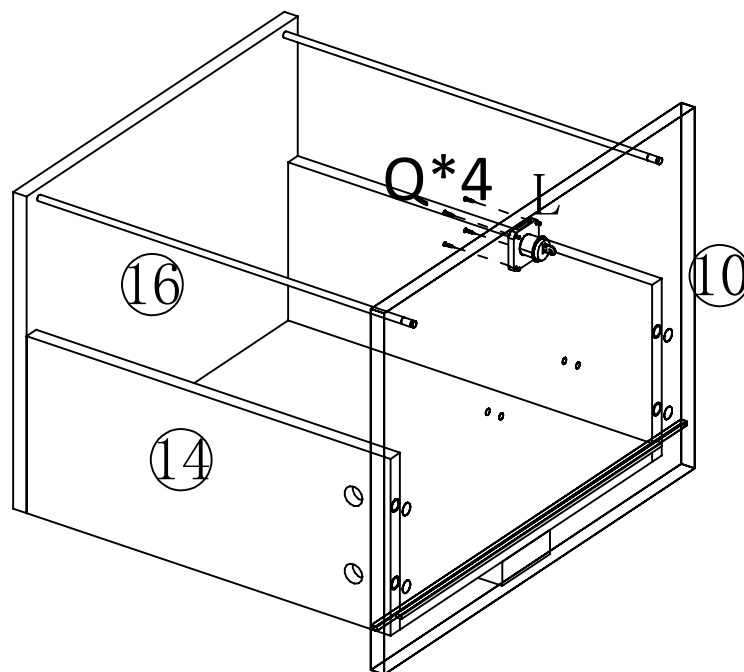
Q×4 PCS



L×1 PC

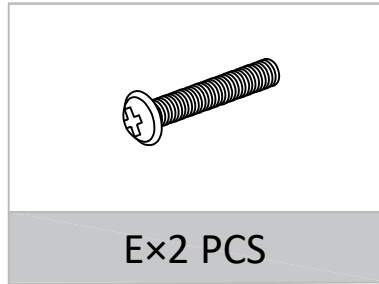
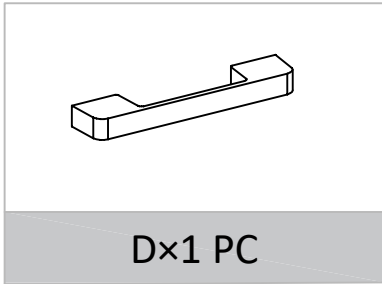
STEP 20

Remove the L circle, insert the lock into 10, fix the front with a circle, and fix the back with Q.



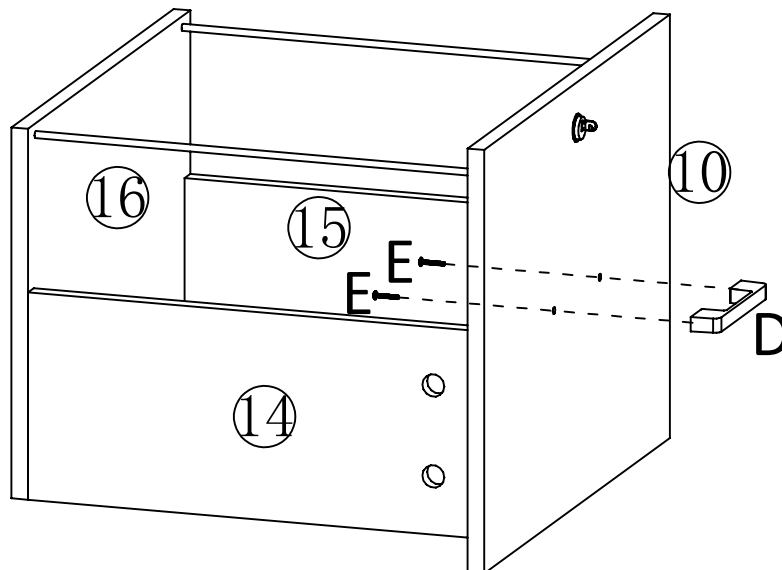
ASSEMBLY STEPS

Installation requirements and accessories



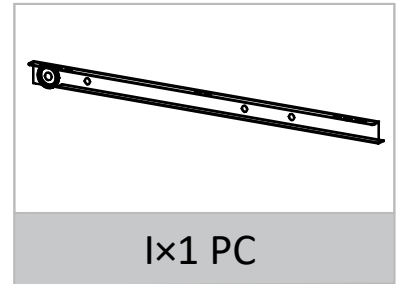
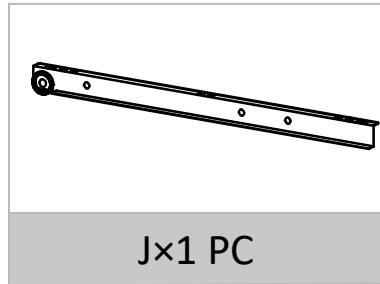
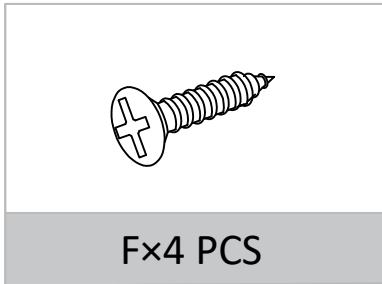
STEP 21

E passes through 10 from the back, and D is fixed on the front.



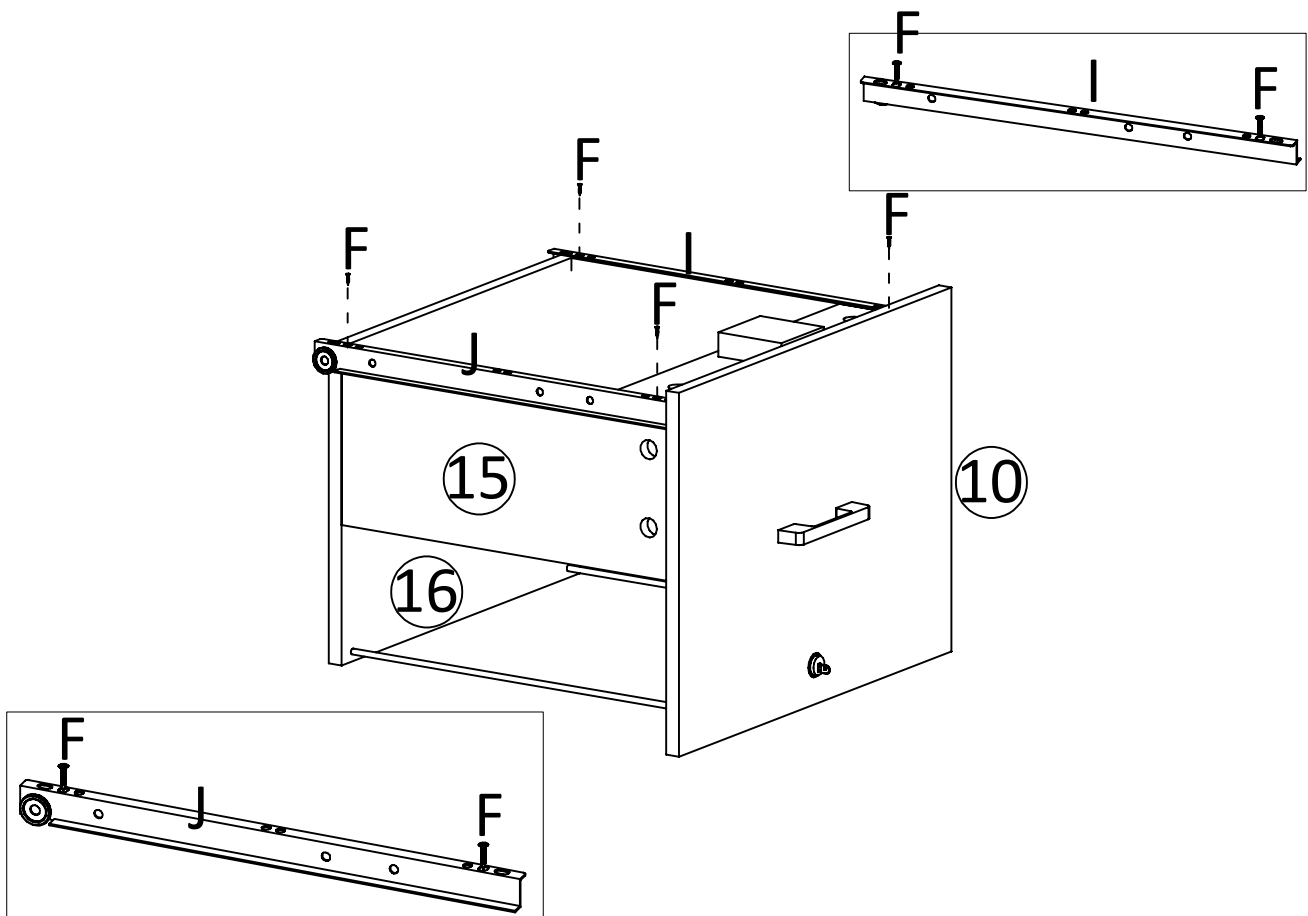
ASSEMBLY STEPS

Installation requirements and accessories



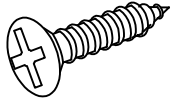
STEP 22

Flip the drawer over, J is at 15, I is at 14, and fix the holes with F according to the schematic diagram.

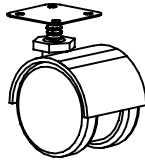


ASSEMBLY STEPS

Installation requirements and accessories



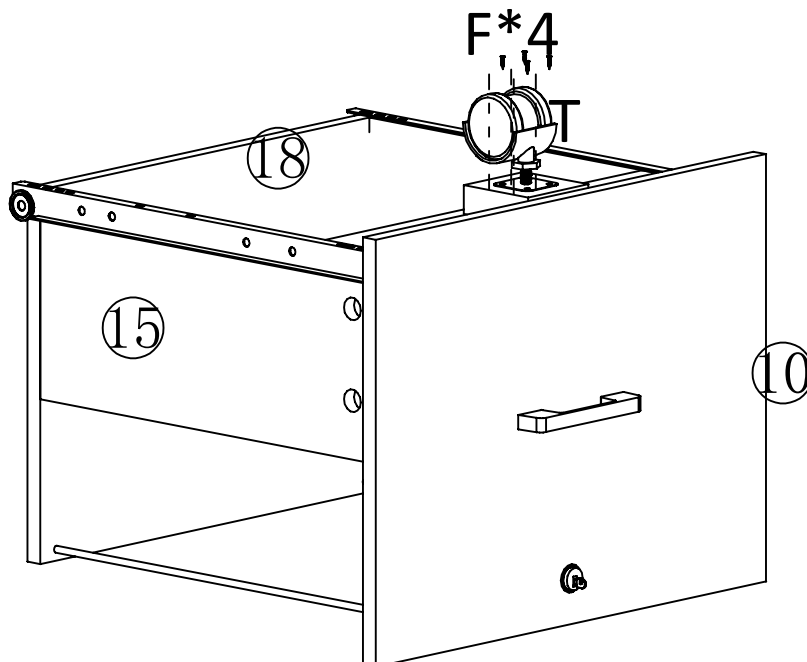
F×4 PCS



T×1 PC

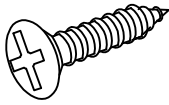
STEP 23

Align T with the positioning hole of the small wooden block and fix it with F.

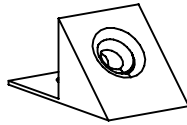


ASSEMBLY STEPS

Installation requirements and accessories



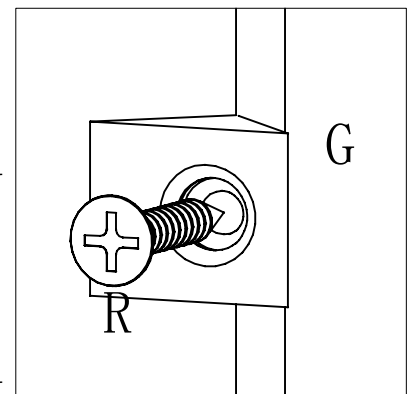
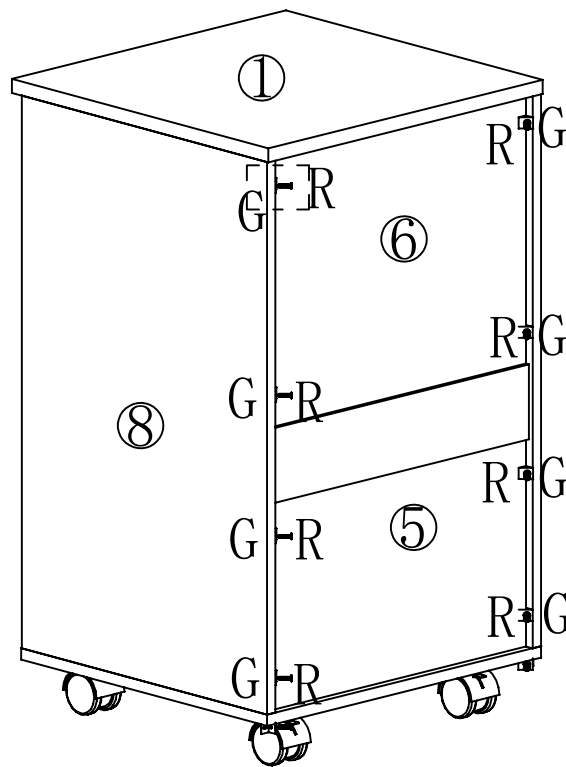
R×8 PCS



G×8 PCS

STEP 24

Insert G into the gap of the backboard and fix it with R.



ASSEMBLY STEPS

Installation requirements and accessories

STEP 25

9 on top, 10 on bottom, insert the assembled drawer into the cabinet.

