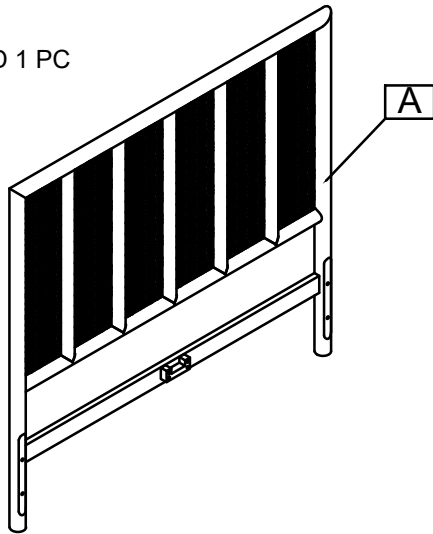


WOOD QUEEN / KING BED ASSEMBLY INSTRUCTIONS

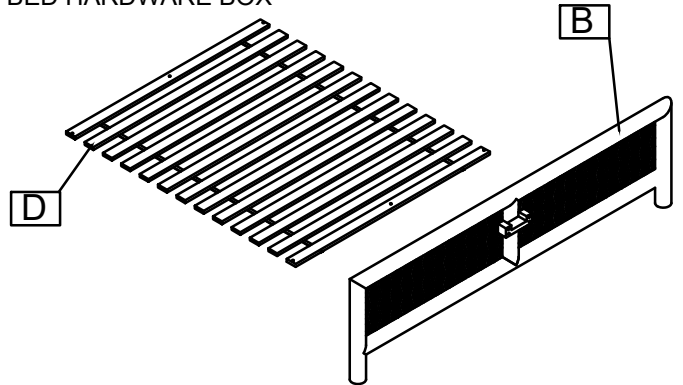
BOX #1

A. HEADBOARD 1 PC



BOX #2

B. FOOTBOARD 1 PC
D. SLAT ROLL 1 SET
BED HARDWARE BOX

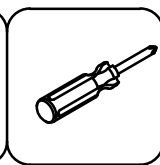
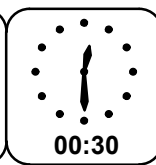
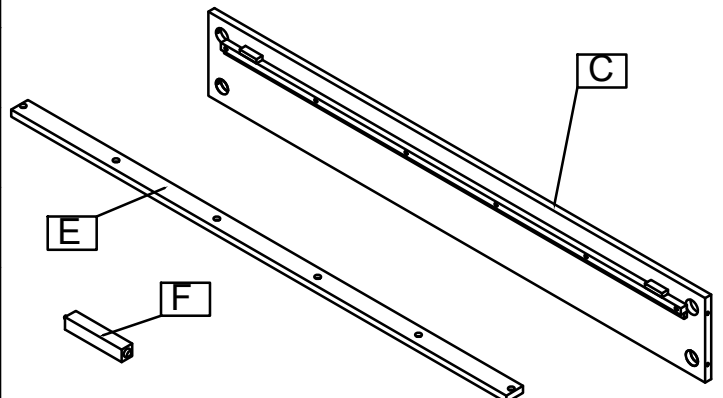


HARDWARE KIT PACKED IN BOX #2

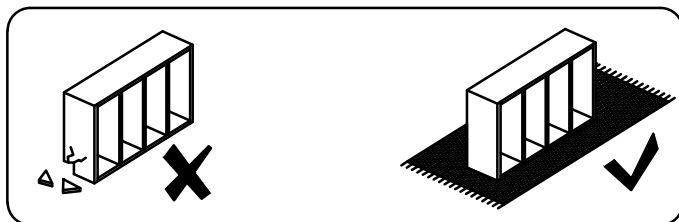
No.	DESCRIPTION	IMAGE	QUANTITY
1	ALL- THREAD BOLT (5/16"x80mm)		8 PCS
2	THREADED HALF MOON WASHER NUT (5/16")		8 PCS
3	SPANNER		1 PC
4	WOOD SCREW (4x30mm)		8 PCS
5	ALLEN KEY		1 PC

BOX #3 :

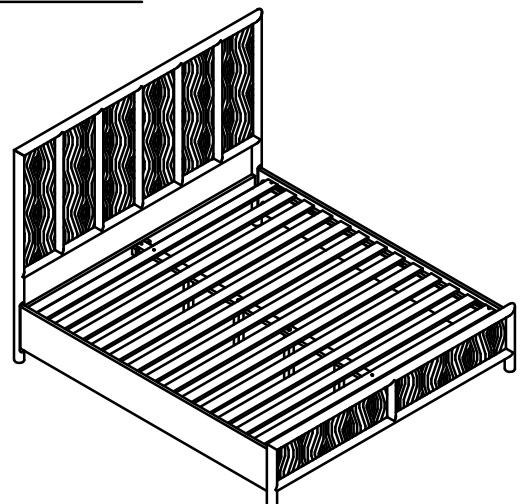
C. SIDE RAIL 2 PCS
E. CENTER SLAT SUPPORT 1PC
F. SUPPORT LEG 4PCS



Not provided

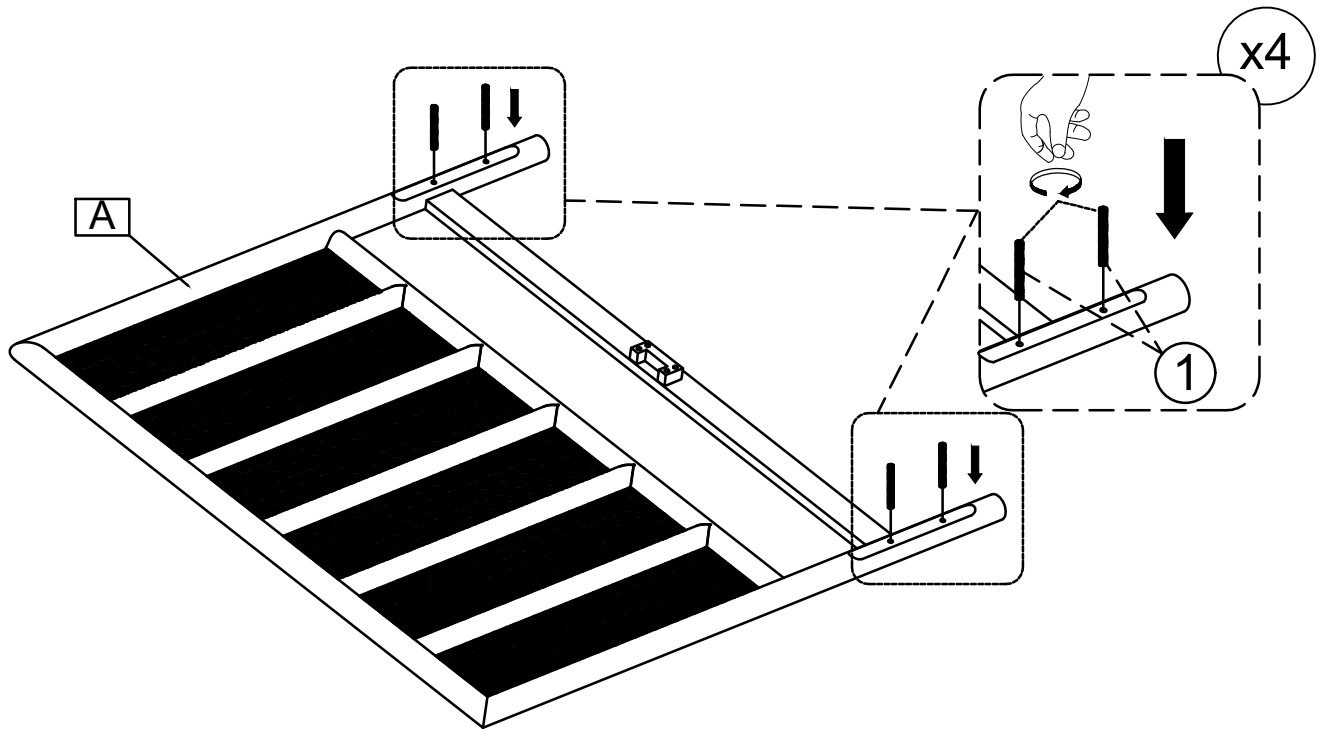


FULLY ASSEMBLED

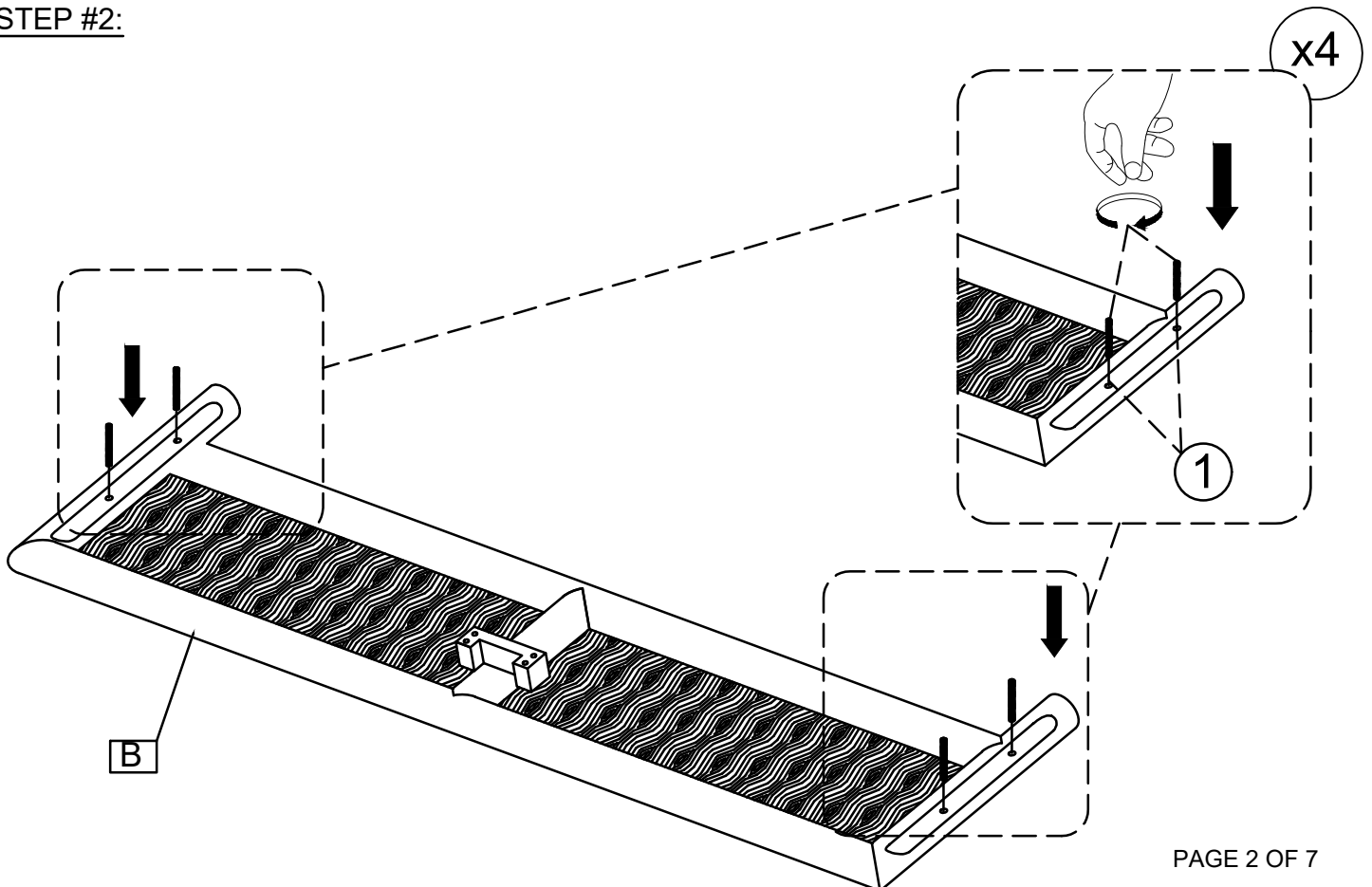


WOOD QUEEN / KING BED ASSEMBLY INSTRUCTIONS

STEP #1:

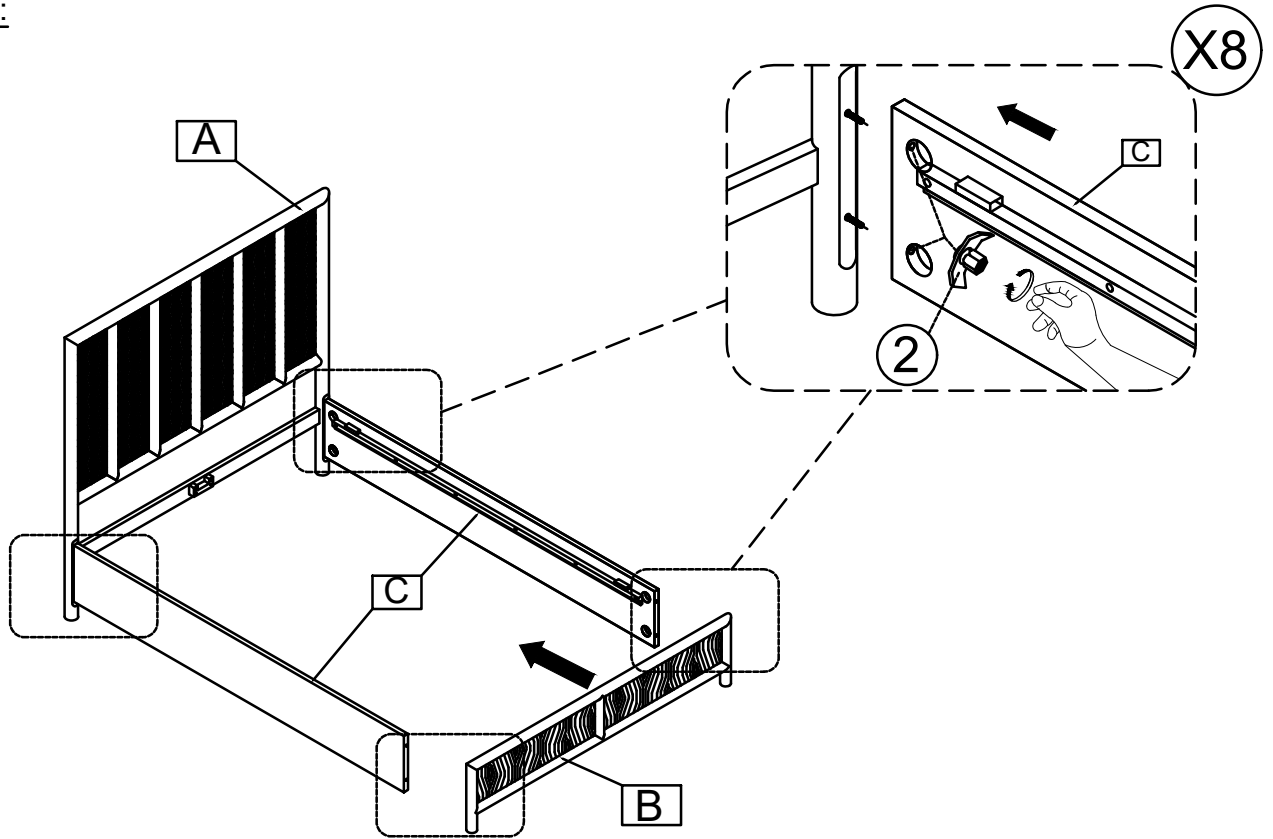


STEP #2:

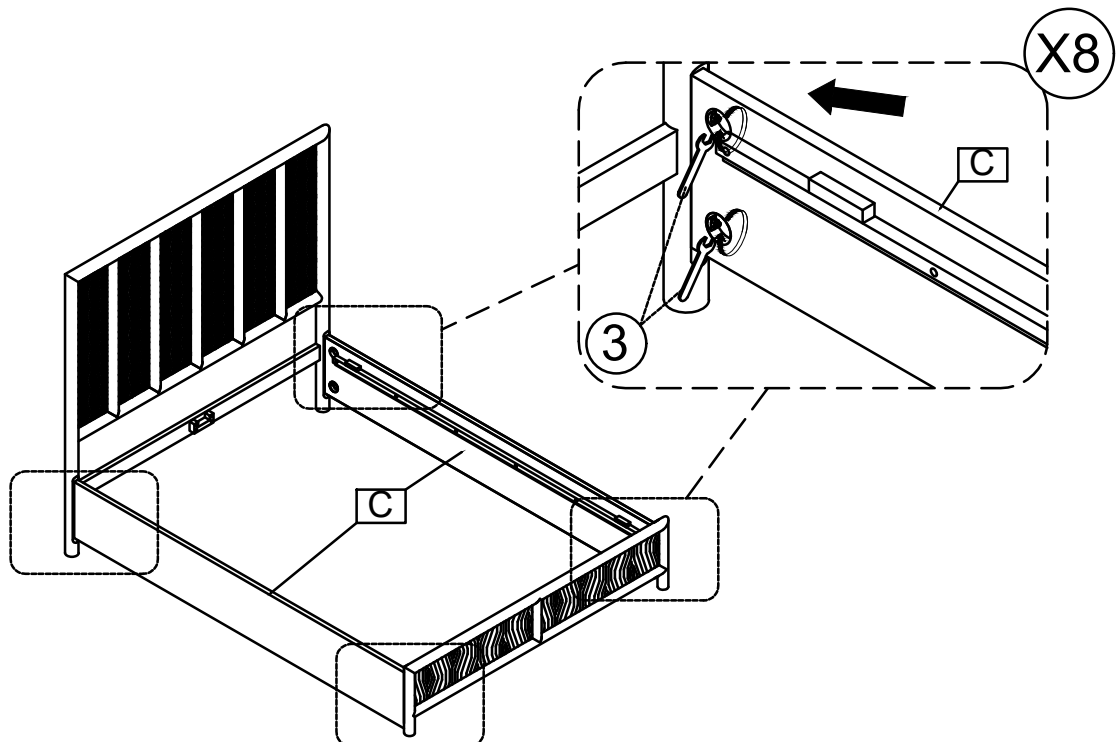


WOOD QUEEN / KING BED ASSEMBLY INSTRUCTIONS

STEP #3:



STEP #4:



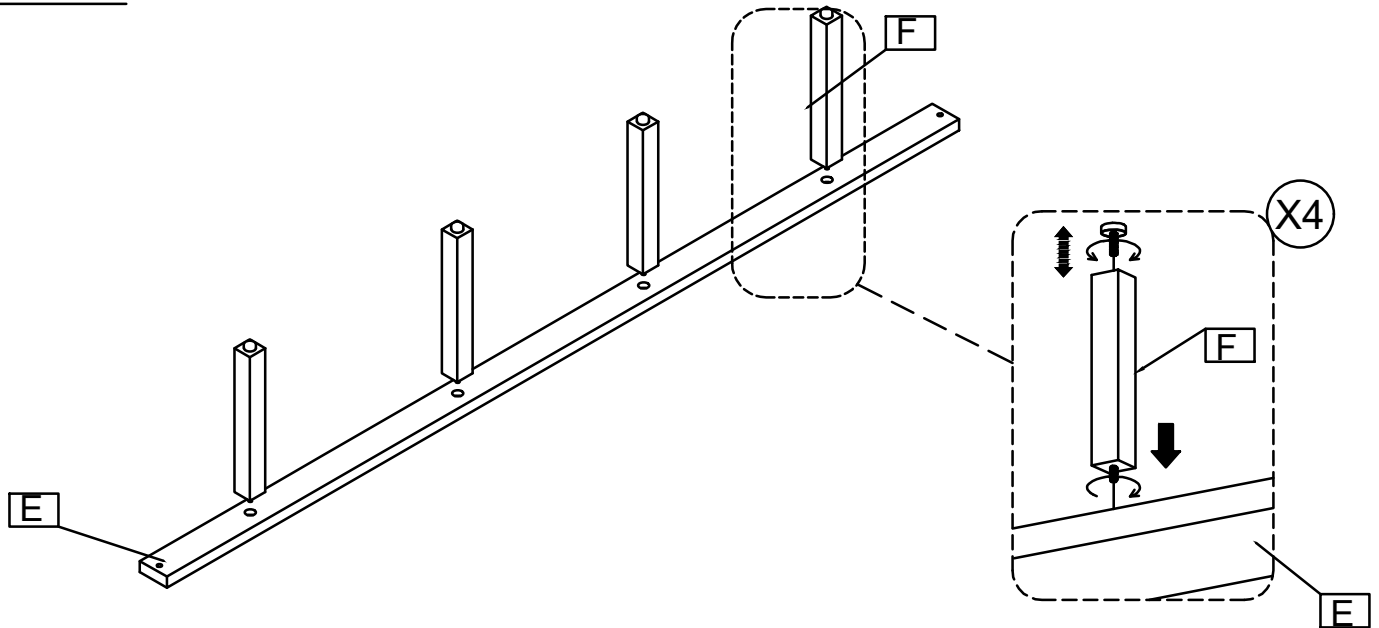
WOOD QUEEN / KING BED ASSEMBLY INSTRUCTIONS



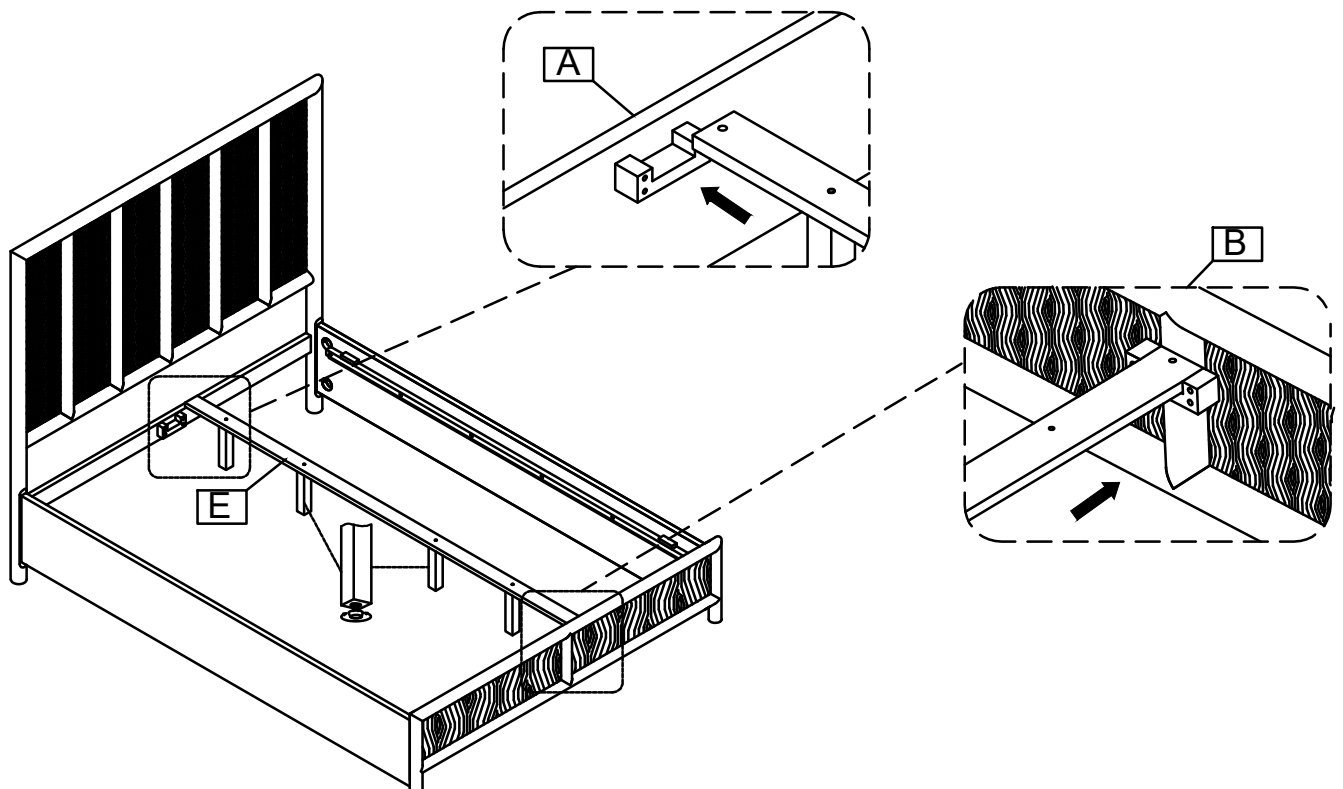
STOP

- * IF USING BED FRAME WITH ADJUSTABLE MATTRESS BASE, SKIP TO APPENDIX A: ADJUSTABLE MATTRESS BASE ASSEMBLY SUPPLEMENT.
- * IF USING BED FRAME WITH STANDARD BOX SPRING OR FOUNDATION CONTINUE TO STEP 5.

STEP #5:

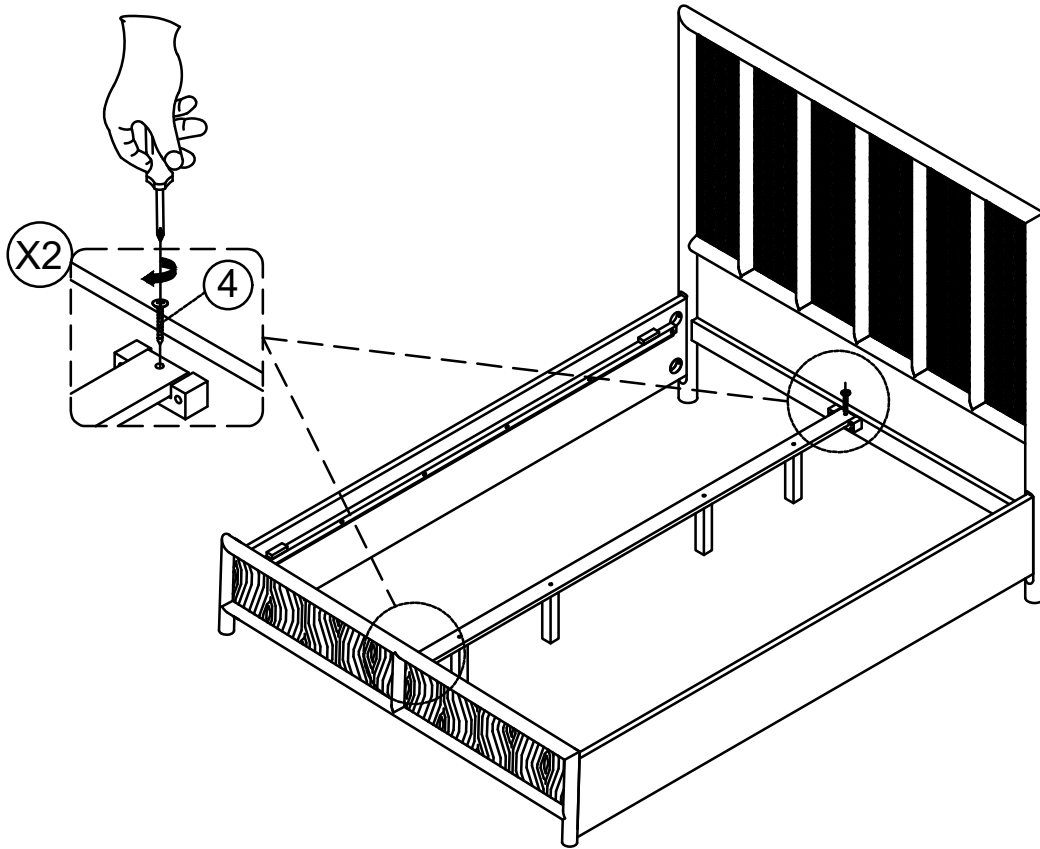


STEP #6:

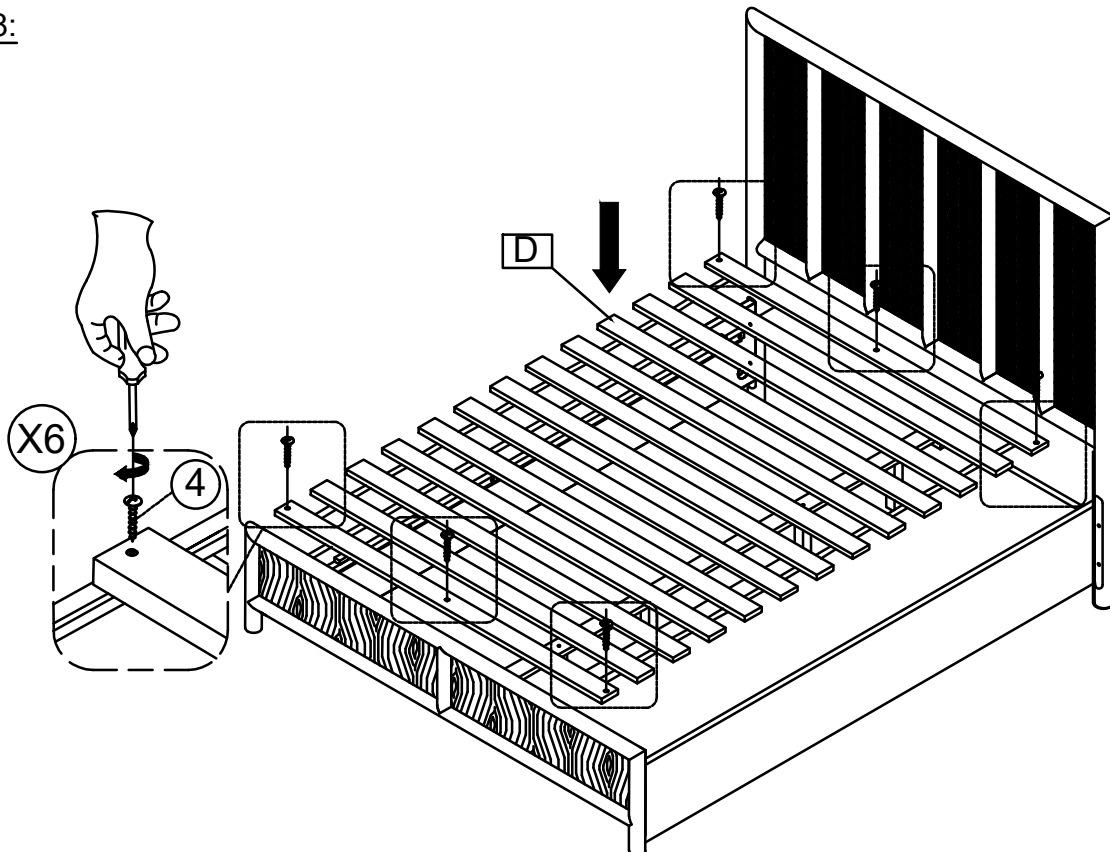


WOOD QUEEN / KING BED ASSEMBLY INSTRUCTIONS

STEP #7:



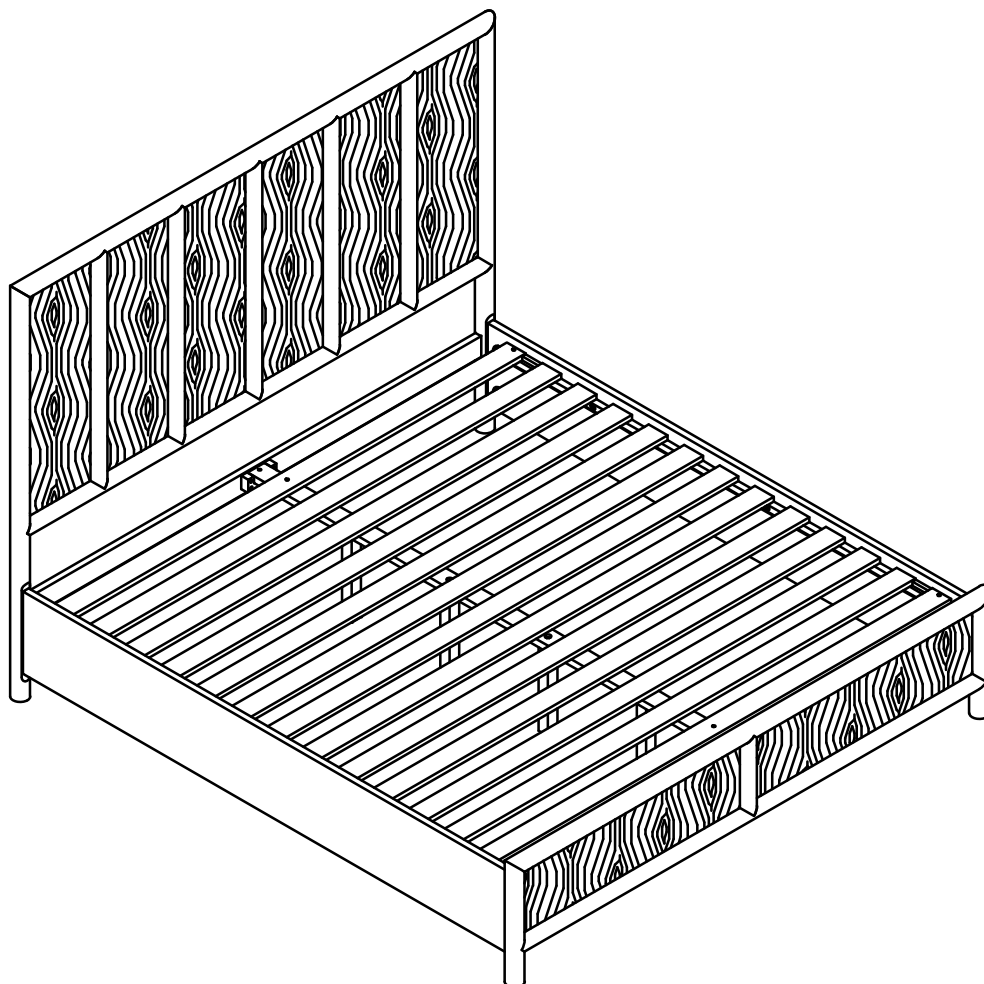
STEP #8:



DORSEY WOOD QUEEN / KING BED ASSEMBLY INSTRUCTIONS

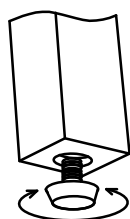


ASSEMBLY COMPLETE.



INSTRUCTIONS FOR ADJUSTING LEVELER:

- POSITION THE BED IN YOUR SPACE AND LOCATE THE LEVELER UNDER EACH SUPPORT LEG.
- TURN THE LEVELER COUNTER- CLOCKWISE TO EXTEND THE LEVELER AND CLOCKWISE TO RETRACT IT.
- ADJUST EACH LEVELER UNTIL EACH SUPPORT LEG IS APPLYING EQUAL, UPWARD PRESSURE ON THE BED SUPPORT SLAT.



MAINTENANCE INSTRUCTIONS:

- REMOVE BOX SPRING AND MATTRESS BEFORE MOVING YOUR BED.
- LIFT YOUR BED WHEN MOVING IT. DRAGGING CAN DAMAGE THE LEG SUPPORT.
- READJUST LEVELERS AFTER MOVING YOUR BED.

WOOD QUEEN / KING BED ASSEMBLY INSTRUCTIONS

AN ADJUSTABLE MATTRESS BASE IS A FREESTANDING MATTRESS SUPPORT THAT SITS WITHIN THE PERIMETER OF THE BED FRAME.

IF USING THIS BED FRAME WITH A STANDARD BOX SPRING OR FOUNDATION THESE INSTRUCTIONS DO NOT APPLY.

PRE-ASSEMBLED SIDE RAIL CLEATS OBSTRUCT ADJUSTABLE BASE INSTALLATION AND OPERATION.

FOLLOW THESE INSTRUCTIONS TO REMOVE THEM.

THE FOLLOWING PARTS ARE NOT REQUIRED FOR ADJUSTABLE MATTRESS BASE INSTALLATION:

D. SLAT ROLL 1SET

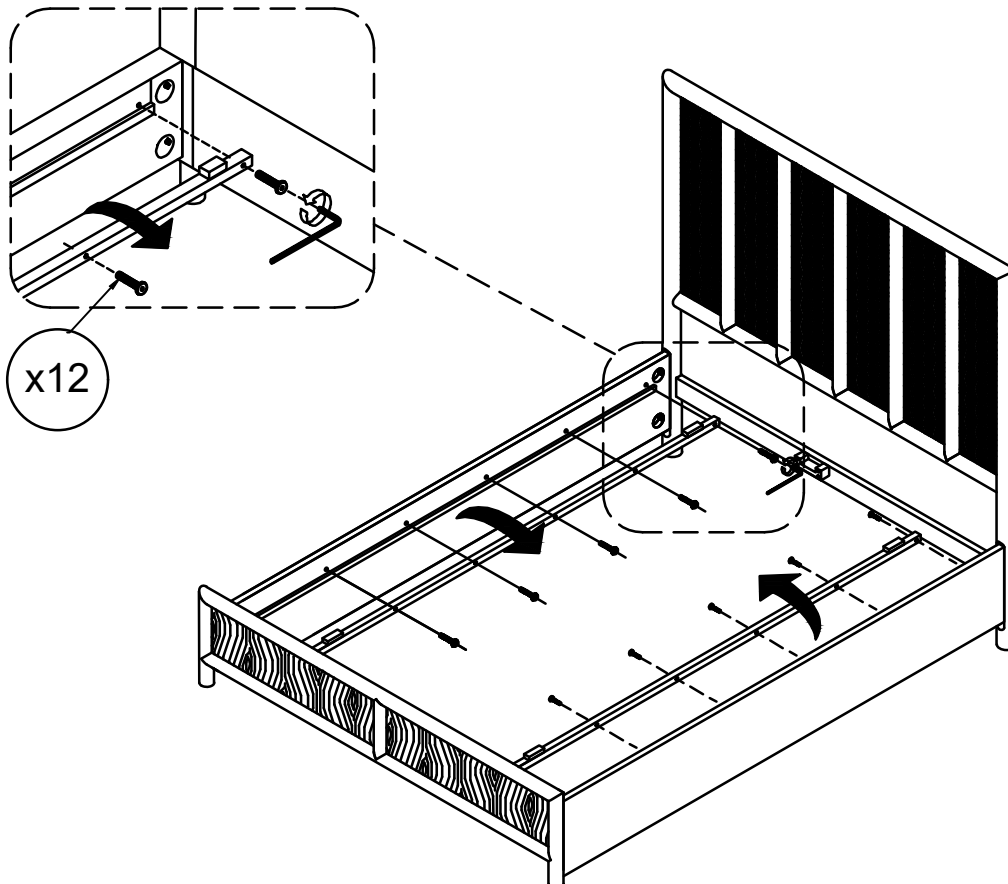
4. WOOD SCREW (4x30mm) 8PCS

E. CENTER SLAT SUPPORT 1PC

F. SUPPORT LEG 4PCS

STEP 1:

USE ALLEN KEY (5) TO UNSCREW ALLEN BOLTS AND REMOVE PRE-ASSEMBLED SIDE RAIL CLEATS.



NOTE: YOU MAY WISH TO RETAIN UNUSED PARTS IF IN THE FUTURE YOU INTEND TO USE THE BED FRAME WITH A STANDARD BOX SPRING OR FOUNDATION