

ASSEMBLING INSTRUCTION

1x1PC



2x1PC



3x1PC



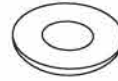
Ax1PC
M6x30mm



Bx4PC
M6x55mm



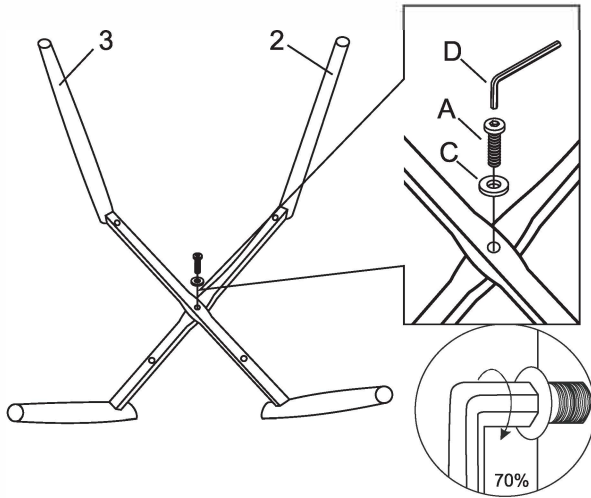
Cx5PC
M6x16mm



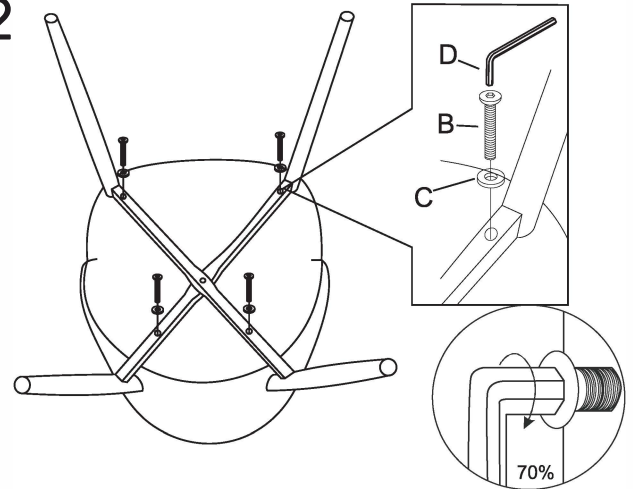
Dx1PC
5#



1

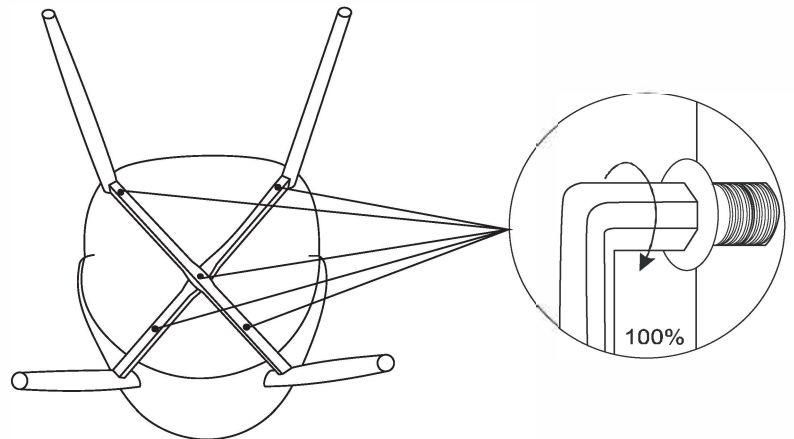


2



3

Place Chair on a totally flat surface and Re-tighten bolts again with 100% of required torque until all screws do not turn anymore



4

The four black plastic feet are adjusted, you can turn them and adjust its height to help to make the chair stable

