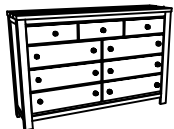


ASSEMBLY INSTRUCTIONS BLUE RIDGE DRESSER



Thank you for purchasing this quality product. Be sure to check all packing materials carefully for small parts, which may have come loose inside the carton during shipment. Identify and count all items and compare with the parts list and / or hardware list as shown below.

DRESSER

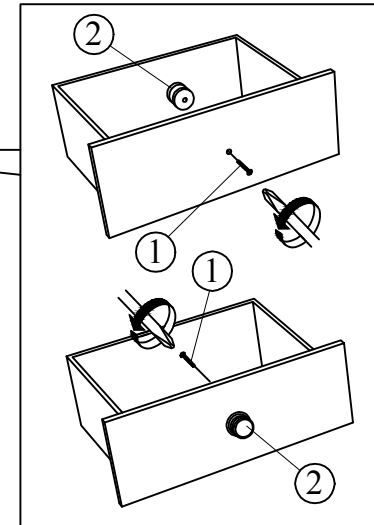
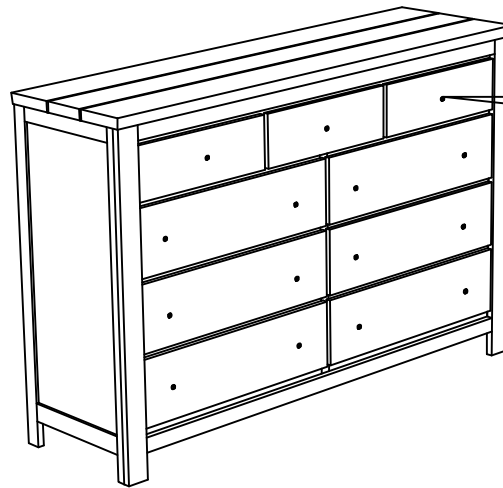
BOX OF DRESSER

NO	ITEM	QTY
	DRESSER	
A		1 PC

HARDWARE LIST

NO	ITEM	QTY
1	Truss Head Machine Screw m4x40mm Blk 	15 PCS
2	HANDLE 	15 PCS

STEP 1 : Remove HANDLE (2) using a Philips head screw driver as shown in illustration STEP - A. Re-install the HANDLE (1) & (2) as per diagram STEP - B. Repeat STEP - A STEP - B until HANDLE (2) are attached correctly.



STEP - A

STEP - B



COMPLETED ASSEMBLY

NOTE : MUST TIGHTEN SCREWS PERIODICALLY WITH USE SCREW WILL BECOME LOOSE CHECK TIGHTNESS OF ALL SCREW EVERY 6-8 WEEKS.