

EASY CONNECT® INSTALLATION INSTRUCTIONS



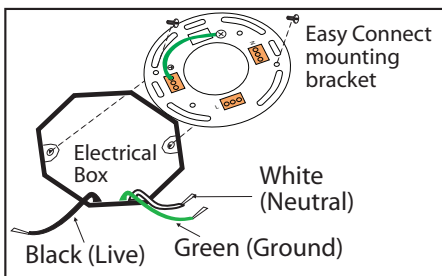
SAFETY PRECAUTIONS:

1. TURN OFF ELECTRICAL POWER BEFORE STARTING INSTALLATION OF LIGHT FIXTURE. DO NOT REMOVE INSULATION FROM FIXTURE.
2. THIS PRODUCT MUST BE INSTALLED IN ACCORDANCE WITH THE APPLICABLE INSTALLATION CODE BY A PERSON FAMILIAR WITH THE CONSTRUCTION AND OPERATION OF THE PRODUCT AND THE HAZARDS INVOLVED.
3. CAUTION – RISK OF FIRE. CONSULT A QUALIFIED ELECTRICIAN TO ENSURE CORRECT BRANCH CIRCUIT CONDUCTOR.

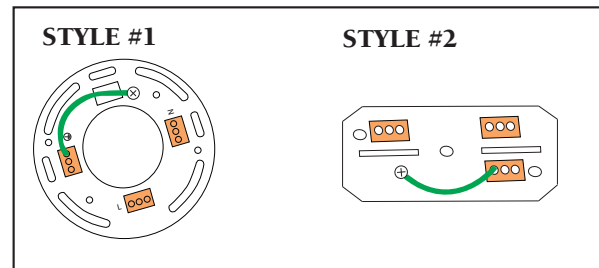
NOTE: Product May Not Look Exactly As Shown In Figures.

INSTALL EASY CONNECT MOUNTING BRACKET:

STEP 1



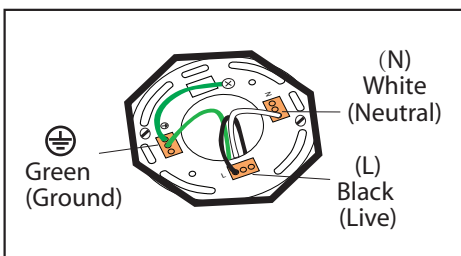
Attach easy connect mounting bracket to electrical box with electrical box screws (not included).



CONNECT HOUSE WIRES

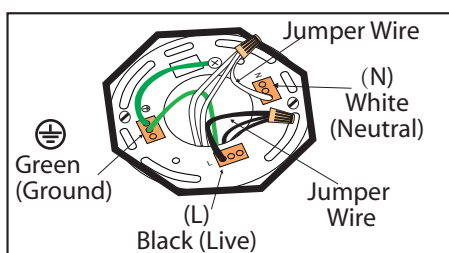
STEP 2

Option 1



Connect (push) electrical wires from electric box (house wiring) into correct inserts. Black (Live), White (Neutral), Green (Ground)

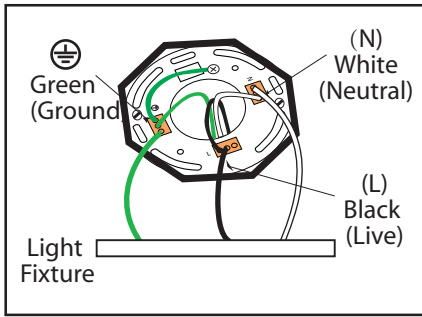
Option 2 - MULTIPLE ELECTRICAL BOX WIRES



For multiple black (live) & white (neutral) wires joined in the electrical box (house wiring), attach a single "black" and "white" Jumper Wire before connecting. Strip 7mm from a 6" Jumper Wires (AWG 12-24) supplied. Then connect (push) wires into correct inserts.

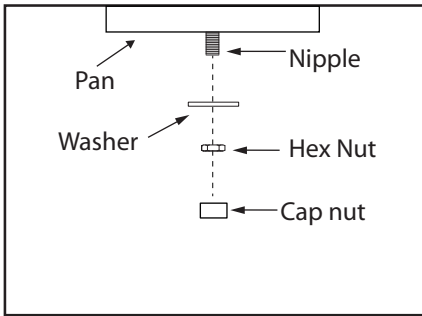
CONNECT LIGHT FIXTURE

STEP 3



Connect (push) electrical wires from fixture into correct inserts.
Black (live),
White (neutral),
Green (ground)

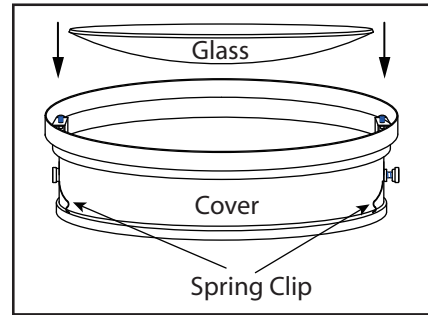
STEP 4



NOTE: The cap nut might be re-tightened if the screws can not go into the slot.

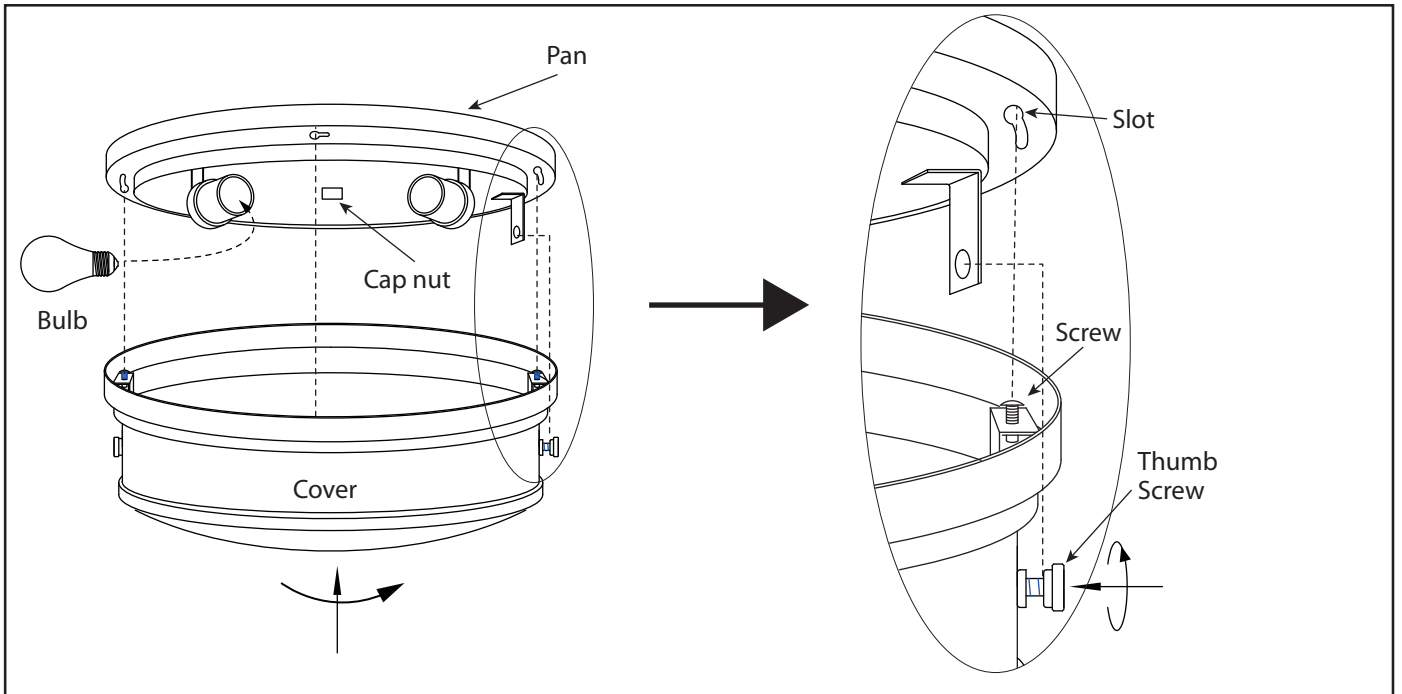
Secure the pan to the nipple tightening by washer and hex nut. Screw the cap nut to the nipple. Ensure to tighten the cap nut firmly.

STEP 5



Slightly push the glass onto the cover. Ensure the glass is tightly secured by the 3 spring clips.

STEP 6



Install specified bulb type and wattage (not included).

Line up the screws in the cover with the key slots in the pan.
Push the cover onto the pan and turn the cover to secure in place.

The cap nut might be re-tightened if the screws can not go into the slot.

Lock the cover in place using the thumb screw.