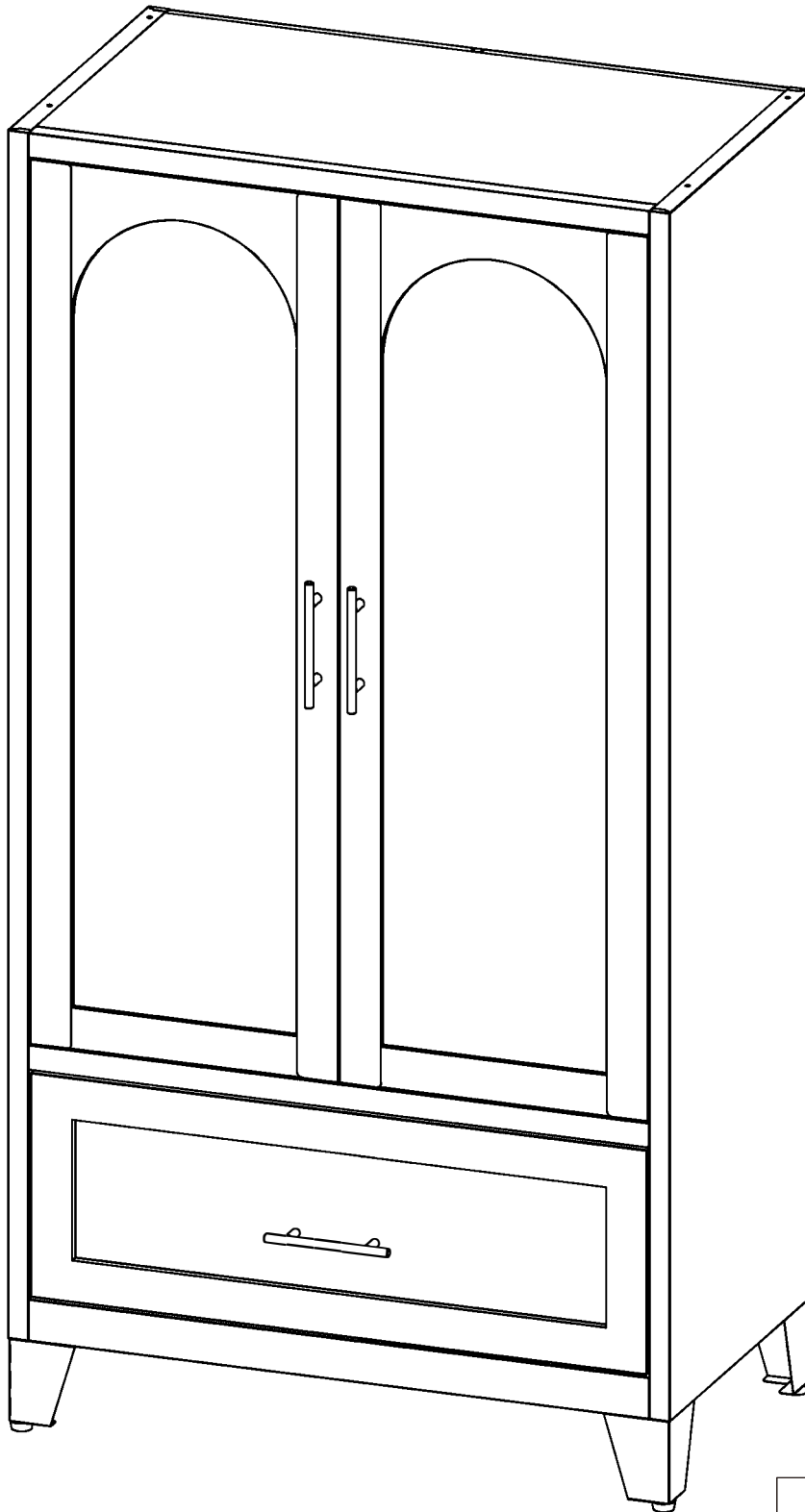


Assembling Guide

Thank you for choosing our product!



2 PERS



40 MINS



Thank you for lighting up another coordinate of our product on the map. We are committed to creating high-quality home living, making every household filled with warmth and comfort.



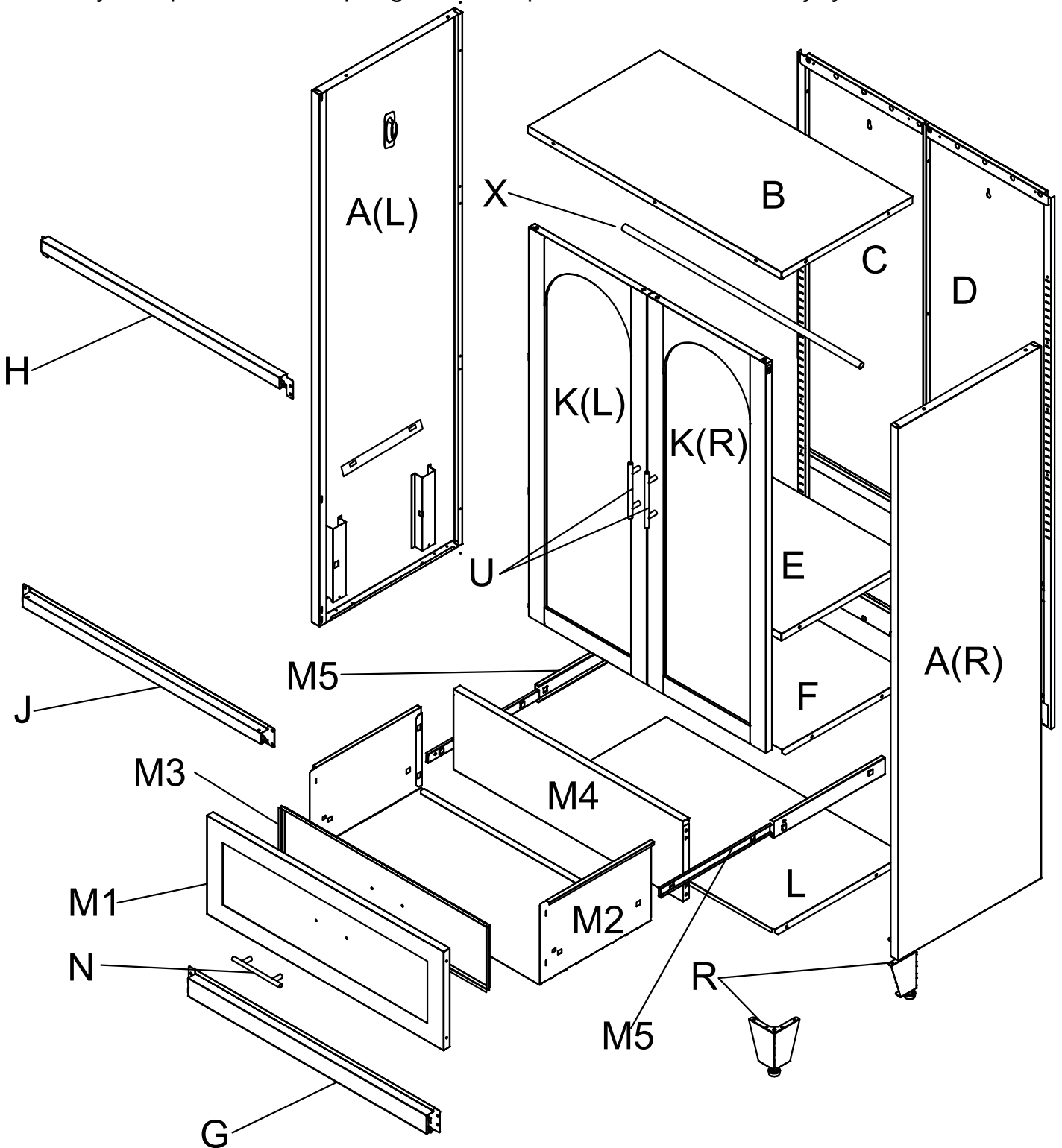
⚠ WARNING!

If furniture is tipped over, it may cause serious injury or even death. To prevent tip-over of this furniture, be sure to use it with the wall attachment devices provided. Use the appropriate screws and plugs for your wall.

If the supplied wall attachment devices do not match the walls in your home, consult your local professional to use screws and plugs that fit your walls. Please read and follow each step in the instructions carefully.

Please pay attention to the iron corner protectors and cabinet parts inside the package. If the iron corner guard is damaged, you can just discard it; if you find any broken or damaged cabinet parts, please contact customer service

immediately for replacement. Sharp edges of metal parts can cause serious injury.



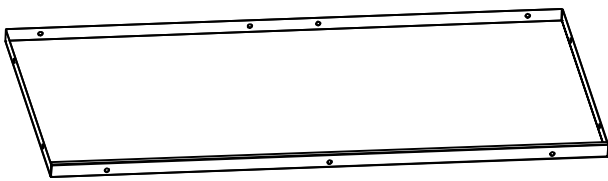
A(L)x1 Left Panel



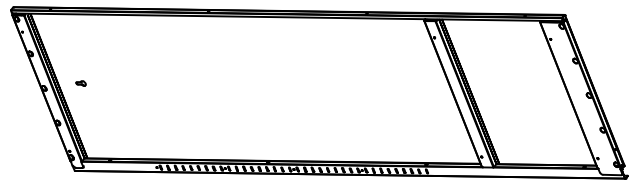
A(R)x1 Right Panel



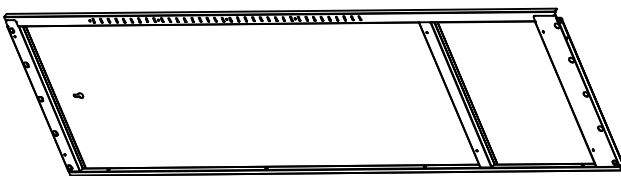
Bx1 Top Panel



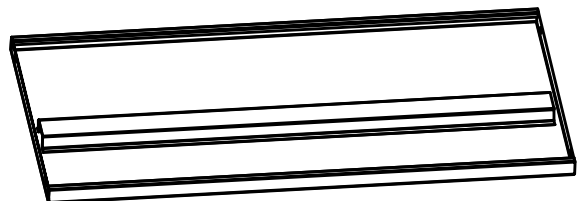
Cx1 Left Back Panel



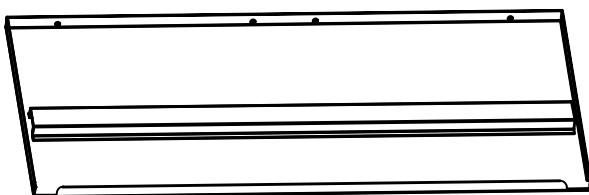
Dx1 Right Back Panel



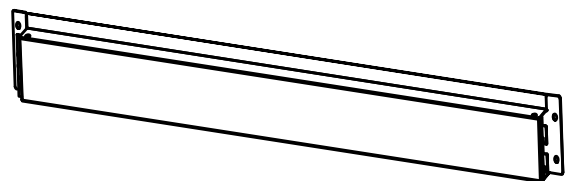
Ex1 Shelf

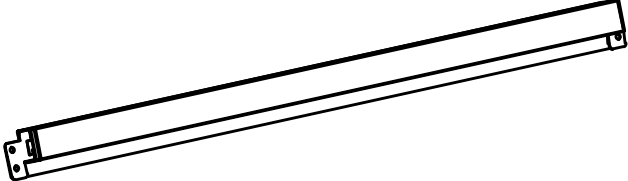
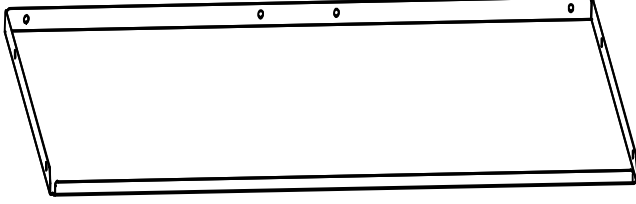
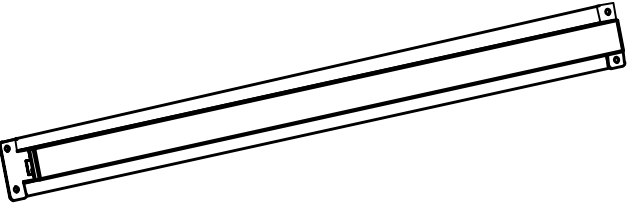
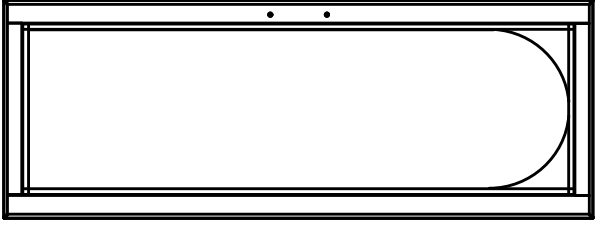
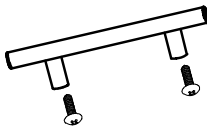
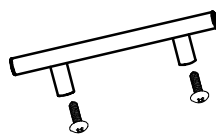
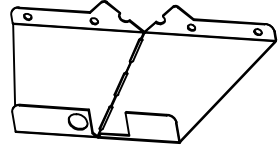
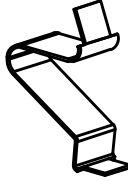
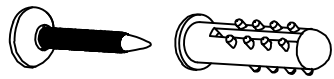
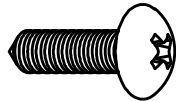
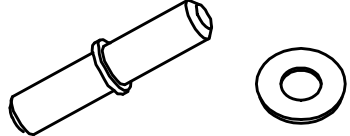
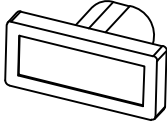

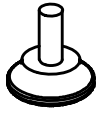
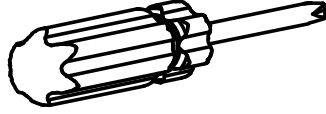


Fx1 Middle Panel

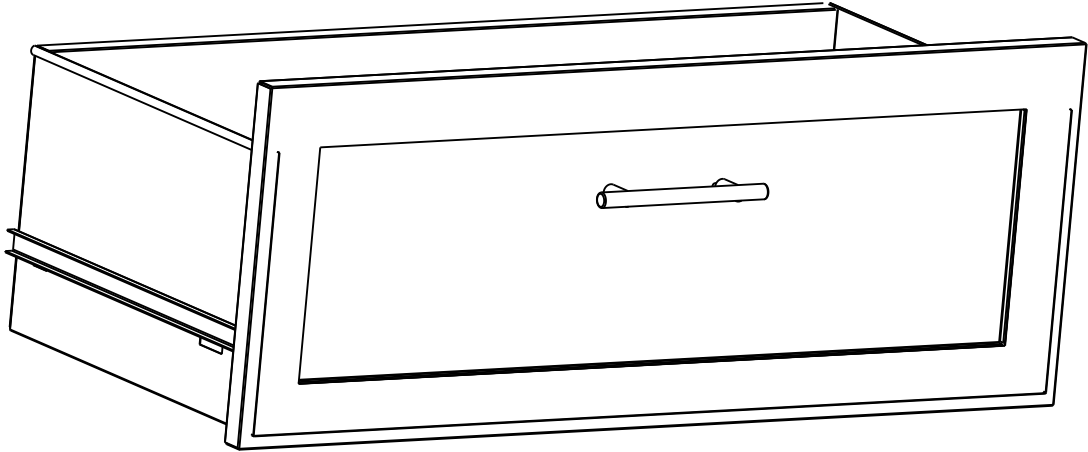


Gx1 Bottom Frame Bar (Thicker)

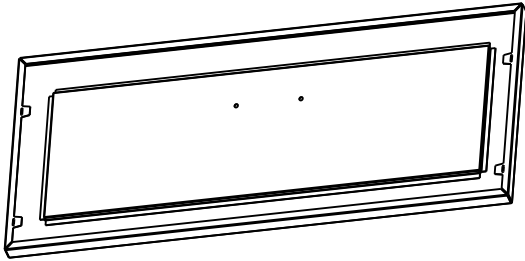


<p>Hx1 Top Frame Bar (Thinner)</p> 	<p>Lx1 Bottom Panel</p> 	
<p>Jx1 Middle Frame Bar (Thinner)</p> 	<p>K(L)x1 K(R)x1 Door</p> 	
<p>Ux2 (M4*23) Door Handle</p> 	<p>Nx1 (M4*16) Drawer Handle</p> 	<p>Rx4 Foot Stand</p> 
<p>Tx4 Shelf Clip</p> 	<p>Vx2 Expansion screws</p> 	
<p>Sx59 Screw</p> 	<p>Yx2 Hinge and Gasket</p> 	
<p>Wx4 Door Magnet</p> 	<p>Xx1 Hanging Rod</p> 	
<p>Ox4 Adjustable Foot</p> 	<p>Screwdriver</p>  <p>*It would be better if you could use power tools for installation.</p>	

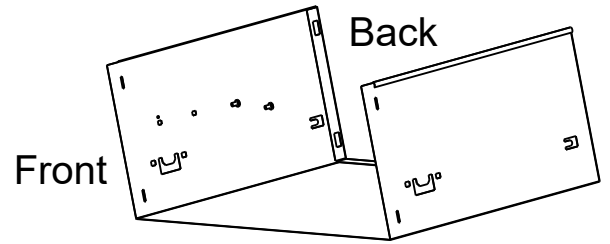
M x1 Drawer



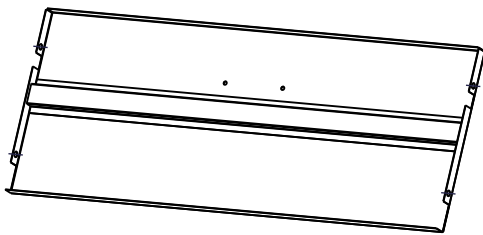
M1x1 Drawer Front Panel



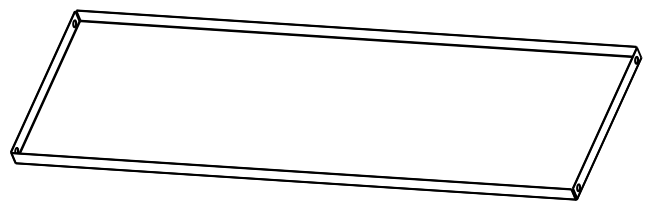
M2x1 Drawer Bottom



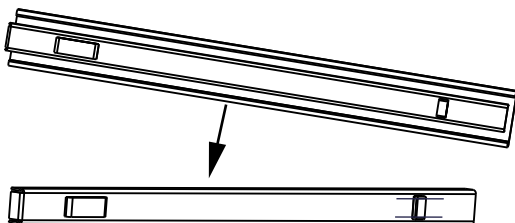
M3x1 Drawer Inner Cover. (it should be pre-installed in M1, take it out for now)



M4x1 Drawer Back Cover



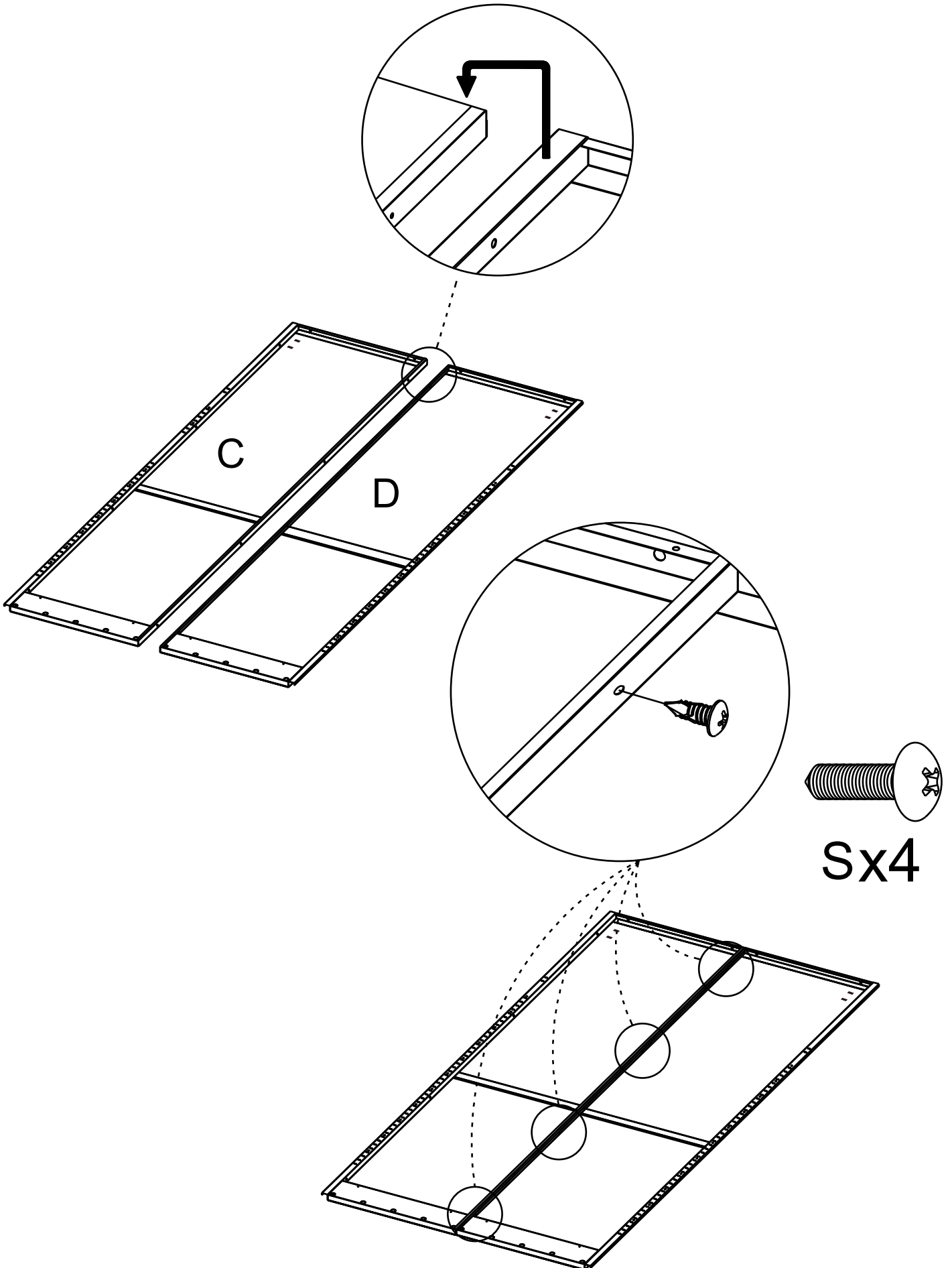
M5x2 Drawer Rail



)

STEP 1 Install the back.

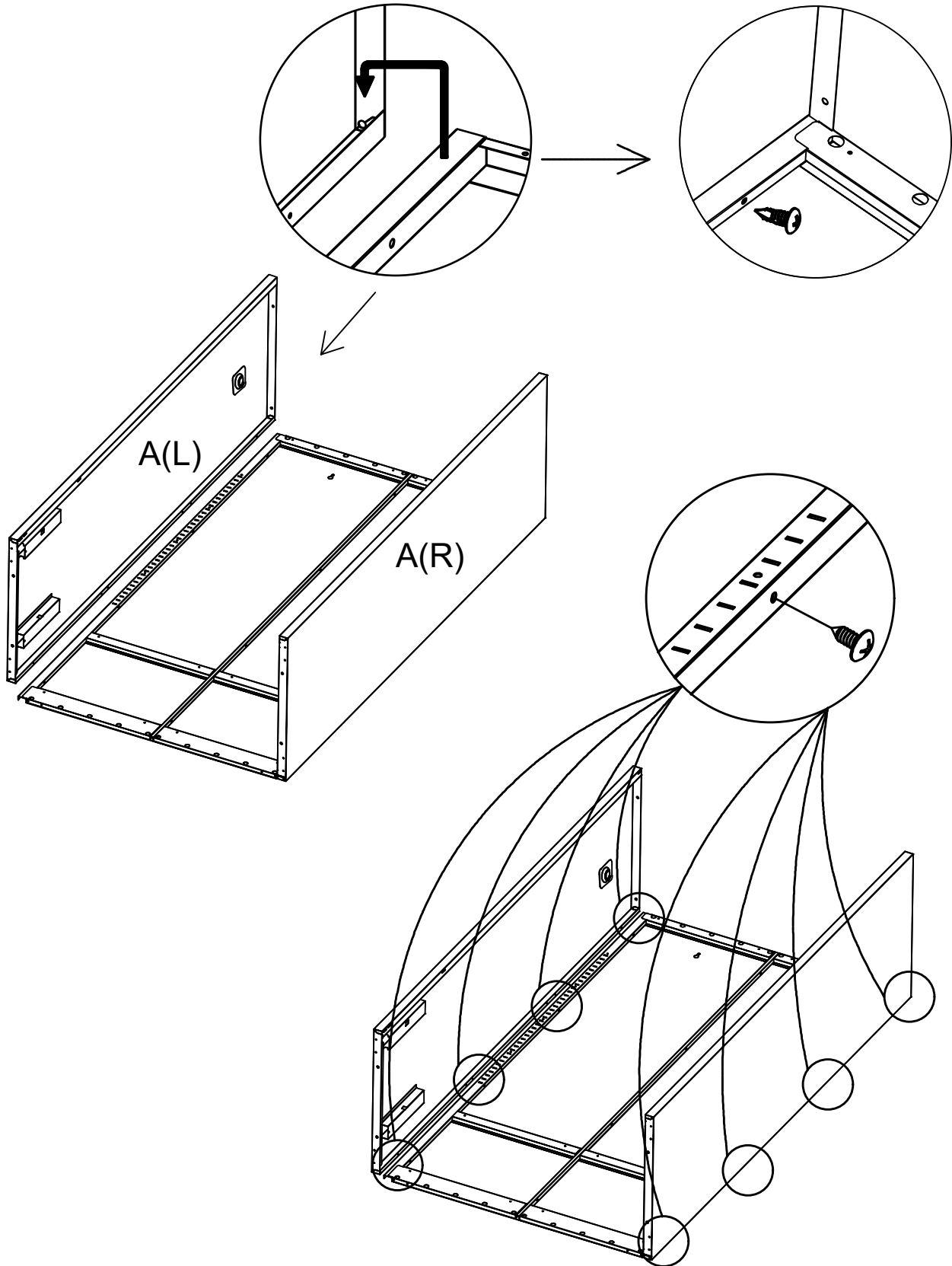
Attach D to C, and secure with 4 S screws.



STEP 2 Install the sides.

Attach A(L) and A(R) the back, and secure with 8 S screws

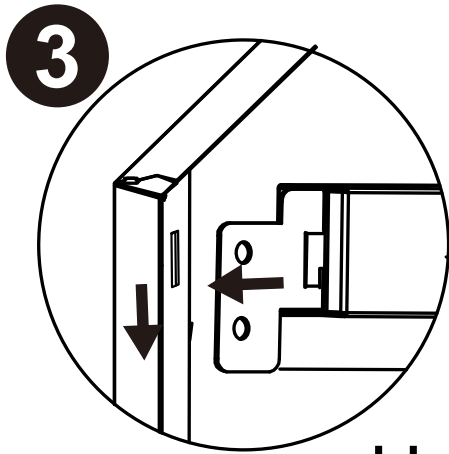
S x8 



STEP 3 Install the top ,middle and bottom frame bar.

Hook in H、J、G into sides, and secure with S screws.

S x12 



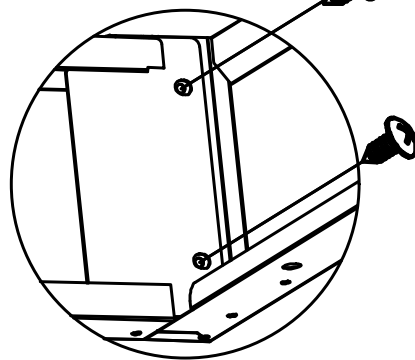
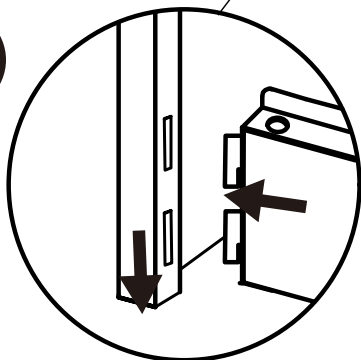
3

H

2 J

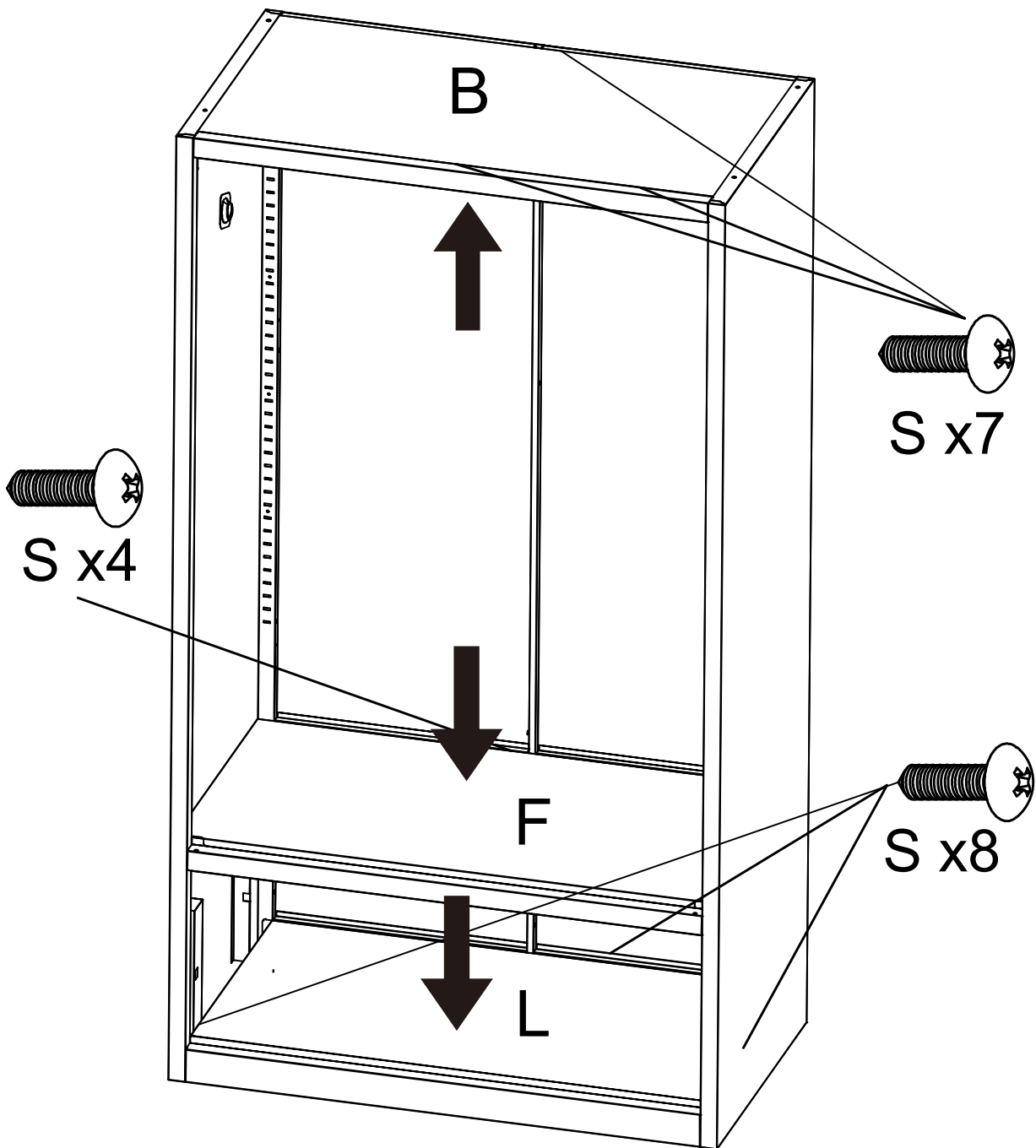
1

G



STEP 4 Install the top middle and bottom panel.

Put L and F in, lift B up and secure with S screws..

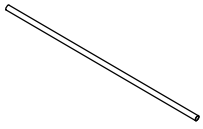


STEP 5 Install the shelf and hanging rod.



T x4

First to clip in T and then put E on it.
Then hang X in the position which show in the diagram.

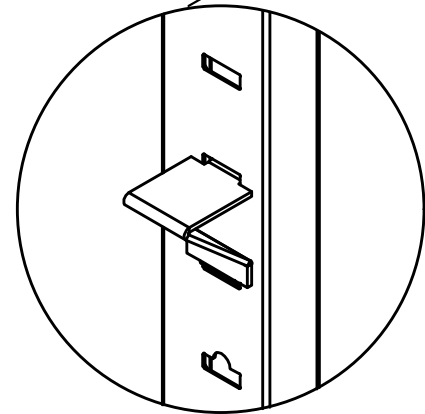
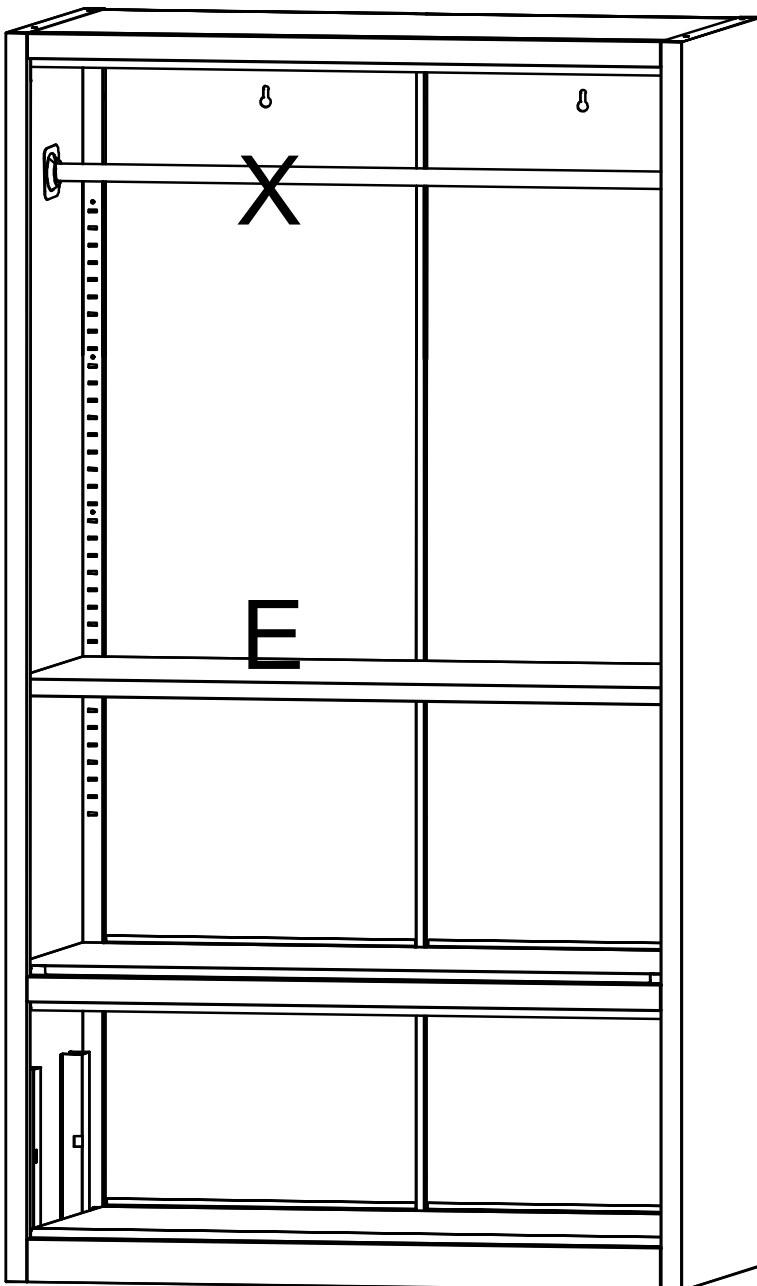
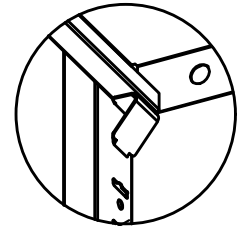


X x1

1. Insert bending side first
2. Fall down the flat side to secure



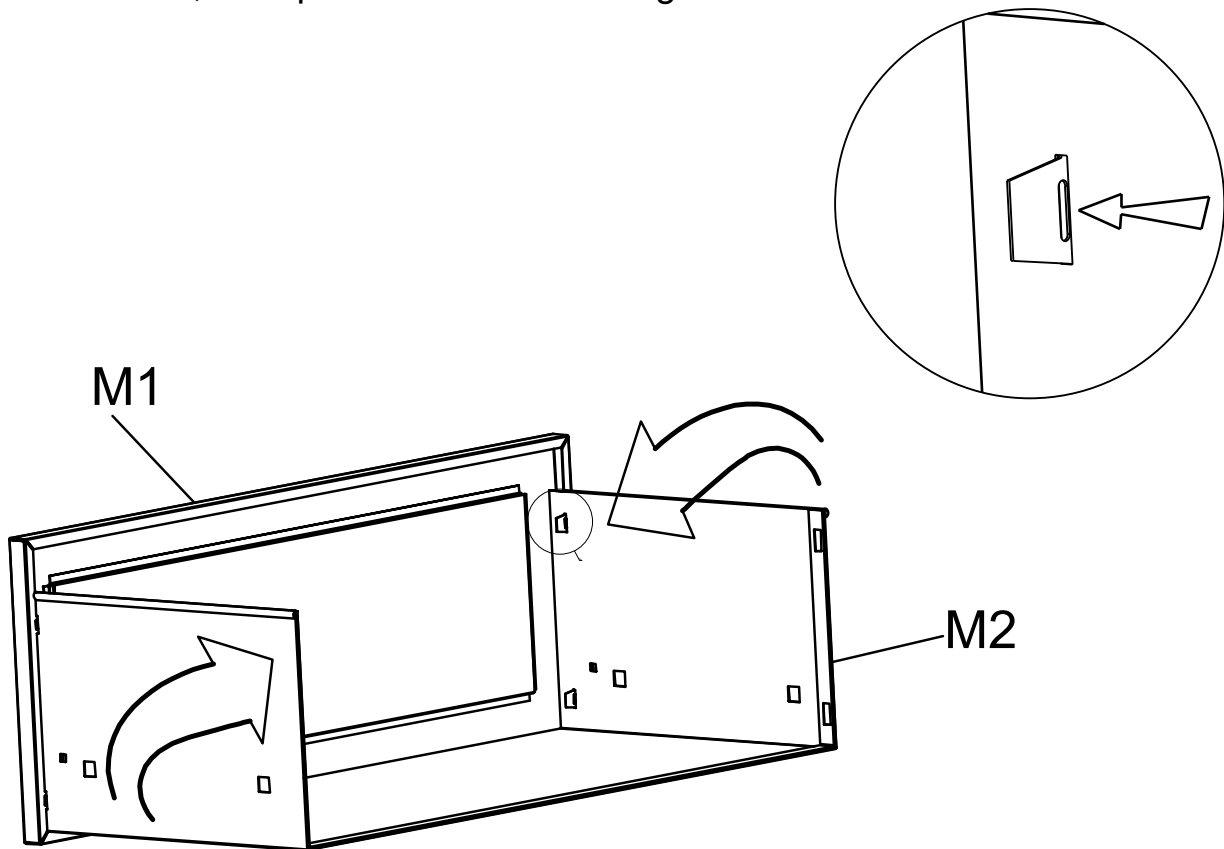
Now shelf can safely sits on it



Make sure the clips at 4 corners are at the same height.

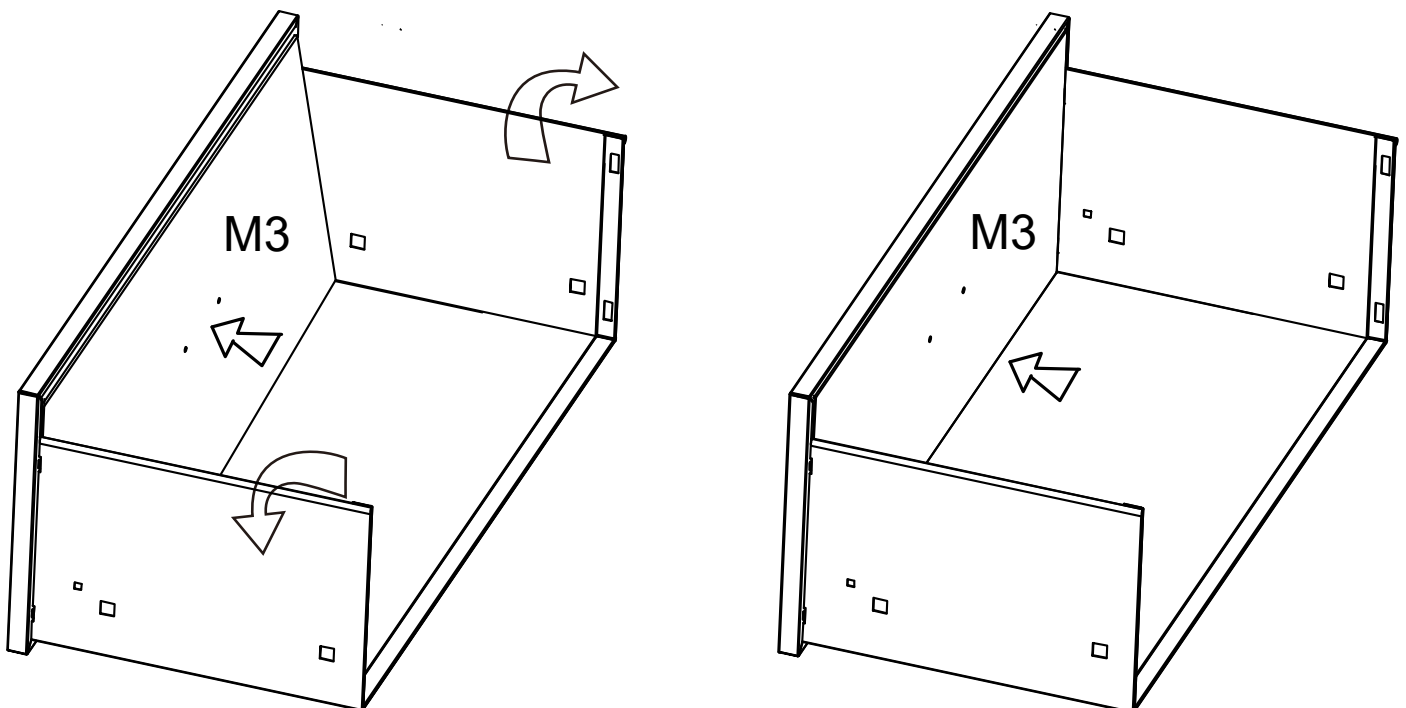
STEP 6-1 Install the bottom.

Attach M2 into M1, then push in 4 small holding bars.



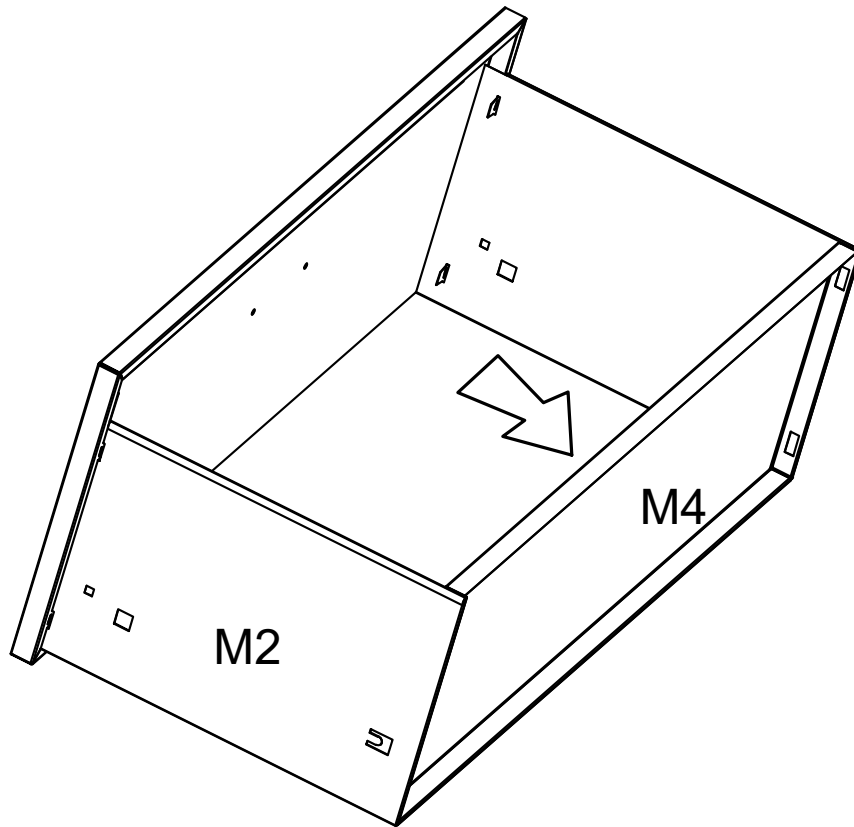
STEP 6-2 Install the inner cover.

Put the M3 into M1. If your M3 is stuck by the screws on the side panel, simply pull the side panels out a bit. Make sure the handle screw holes on M3 and M1 is the same direction.



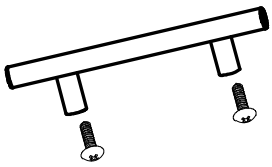
STEP 6-3 Install the back cover.

Clip M4 into M2.

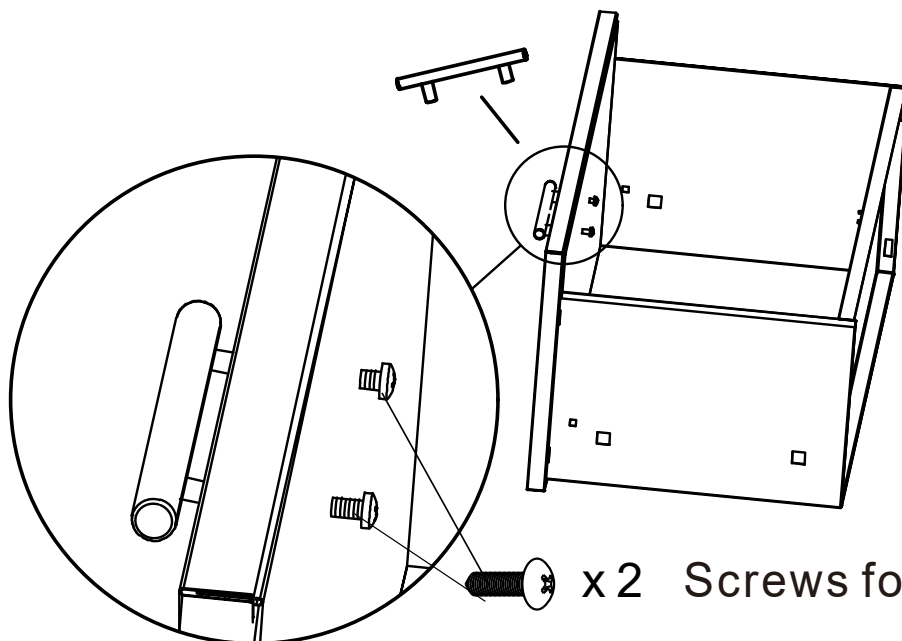


STEP 6-4 Install the drawer handle.

Use manually tool to install the handle instead of electric.

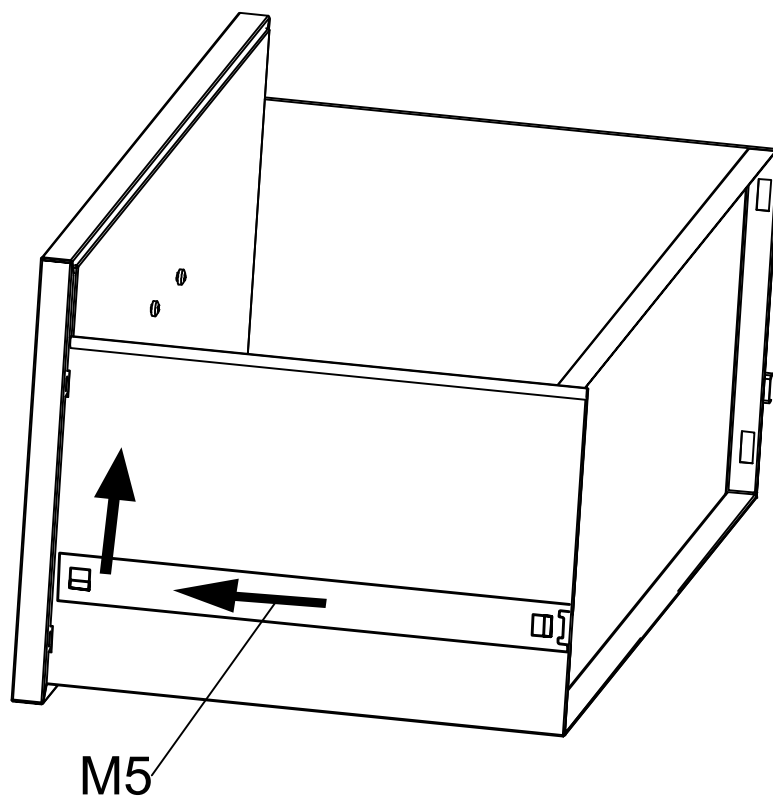


N x2(M4*16)



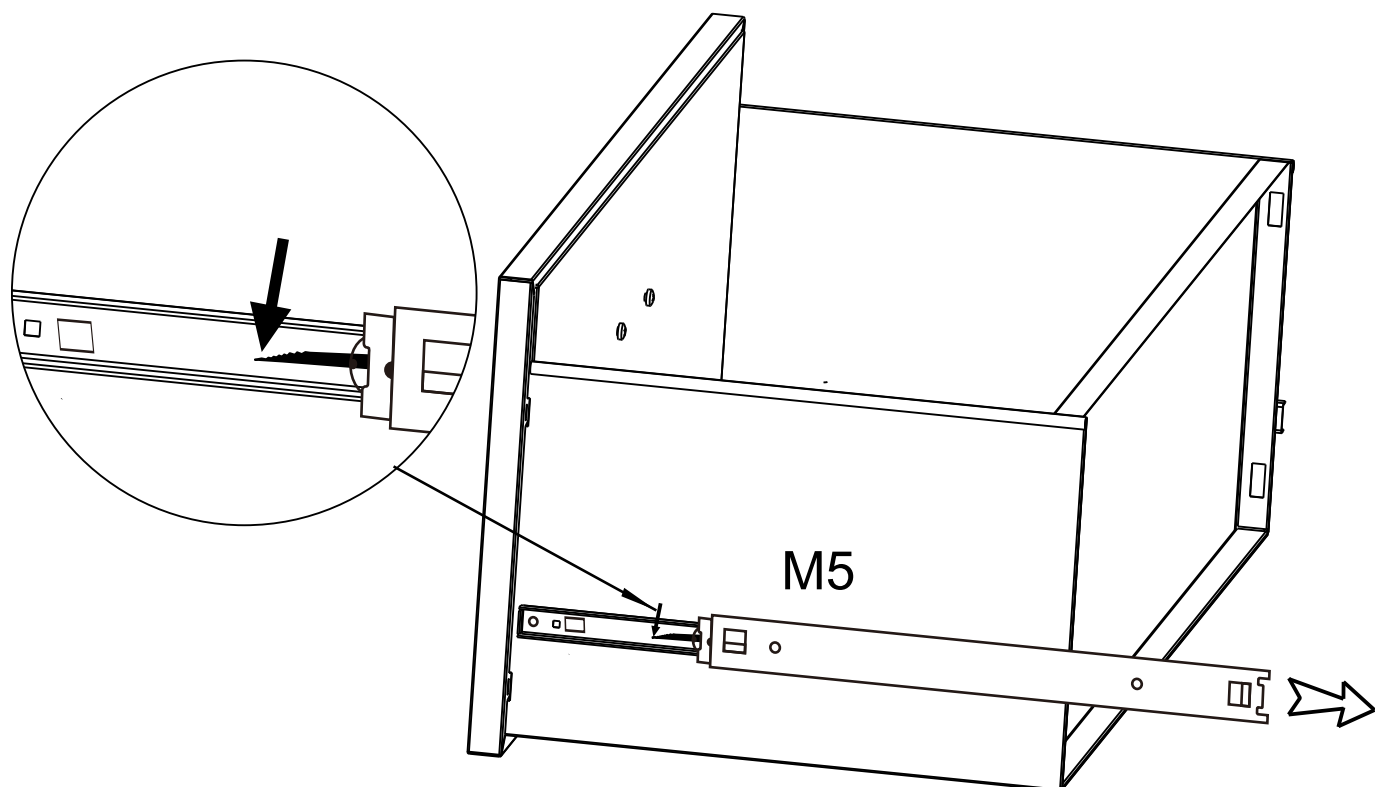
STEP 6-5 Install the rail.

Pull and lift up the rail to install.



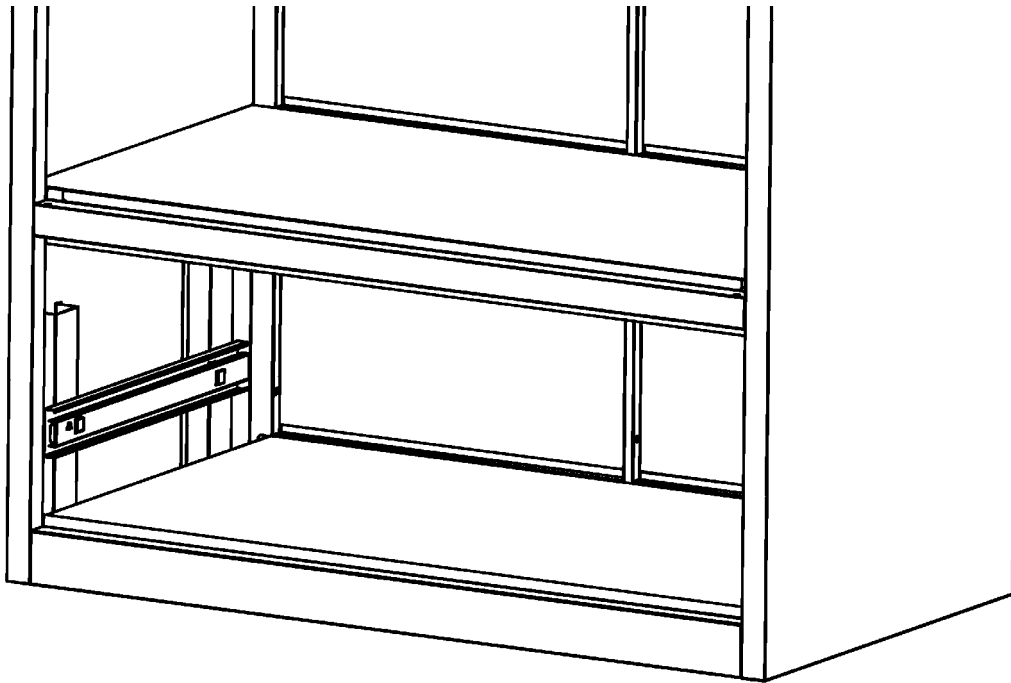
STEP 6-6

Press down (or pull up) the release bar to take out the front half of the rail.



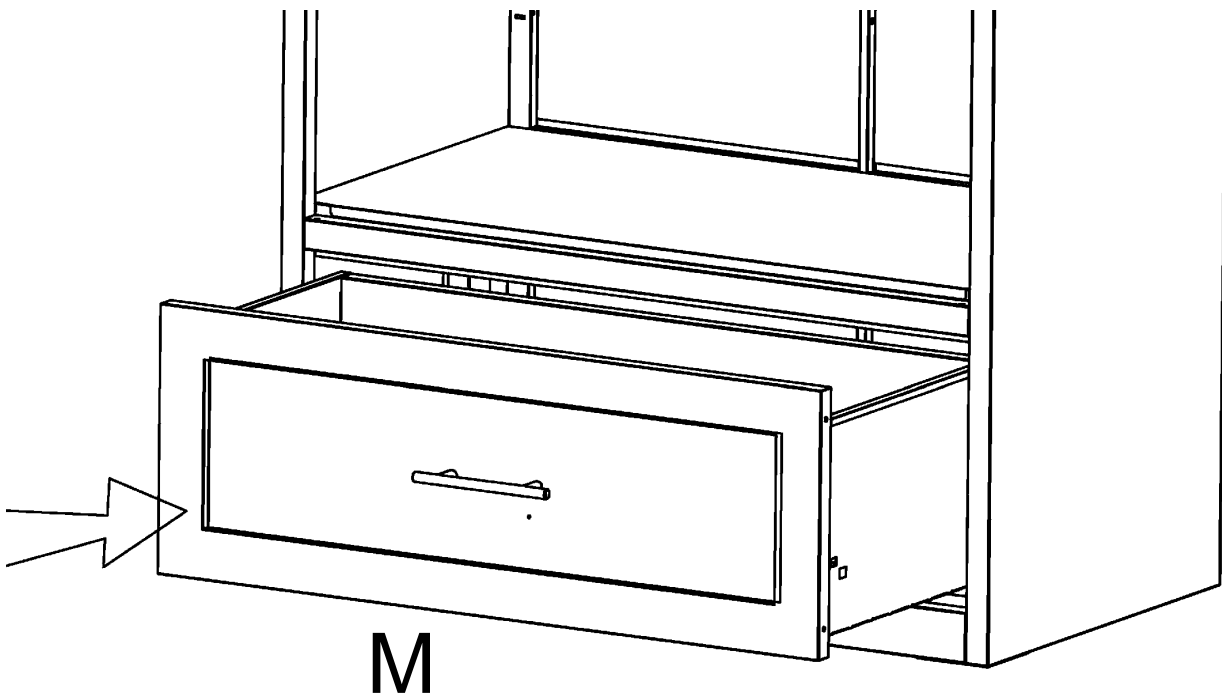
STEP 6-7 Install the drawer rail front half.

When install the drawer rail, make sure you don't make left and right rail reversed, Insert the rail inner side first, then press down the outer side to install it, not lift up.



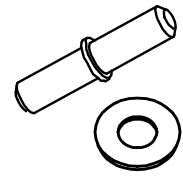
STEP 6-8

Put the drawers in.



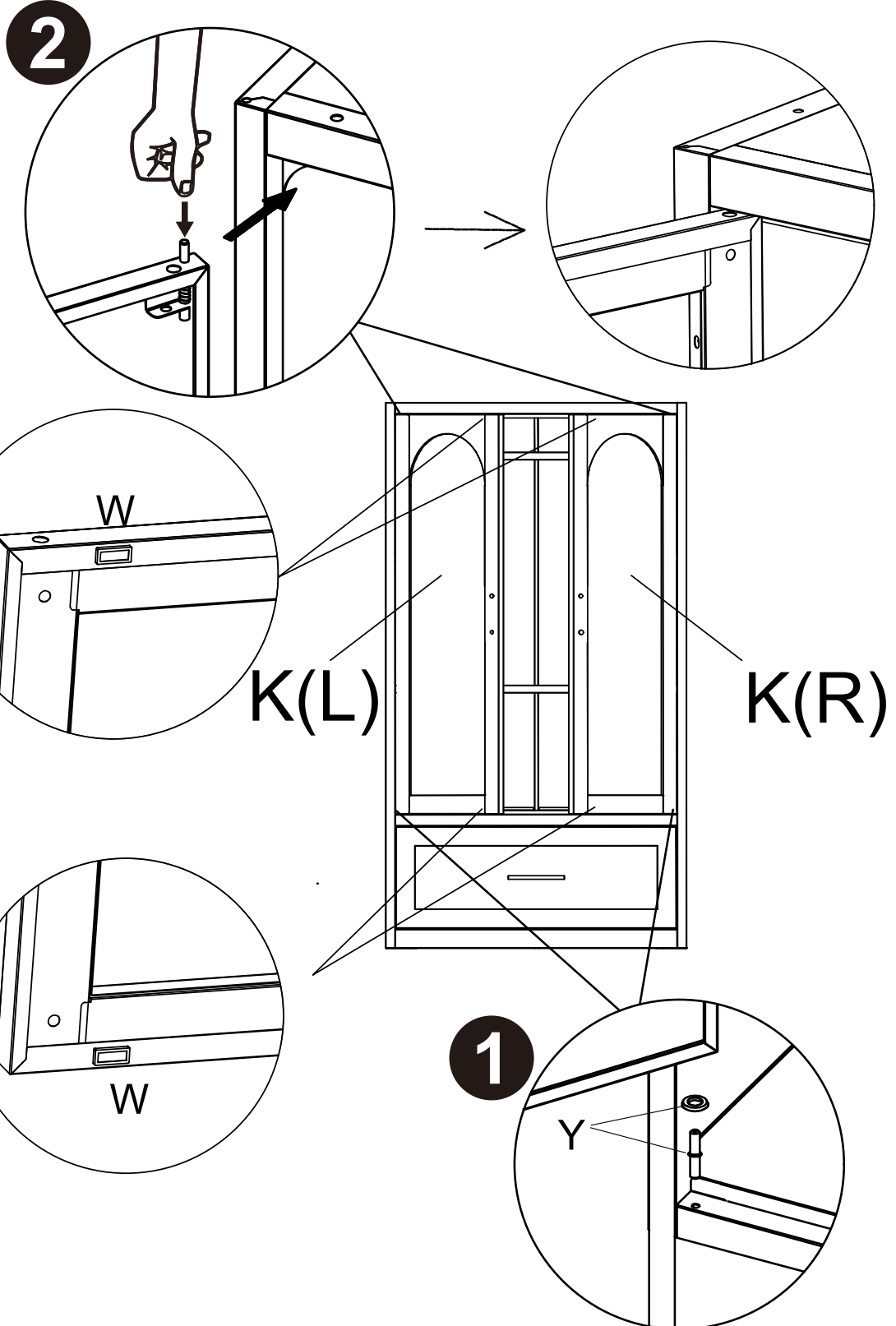
STEP 7 Install the doors.

First to insert Y (you may need to add 1-2 gaskets) into the holes on middle frame bar. Then put K in, press down the top hinge spring to insert the door to frame. Finally, place W inside the door frame.



Yx2

Wx4



2

1

K(L)

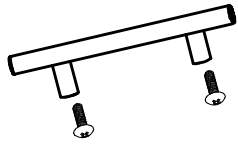
K(R)

W

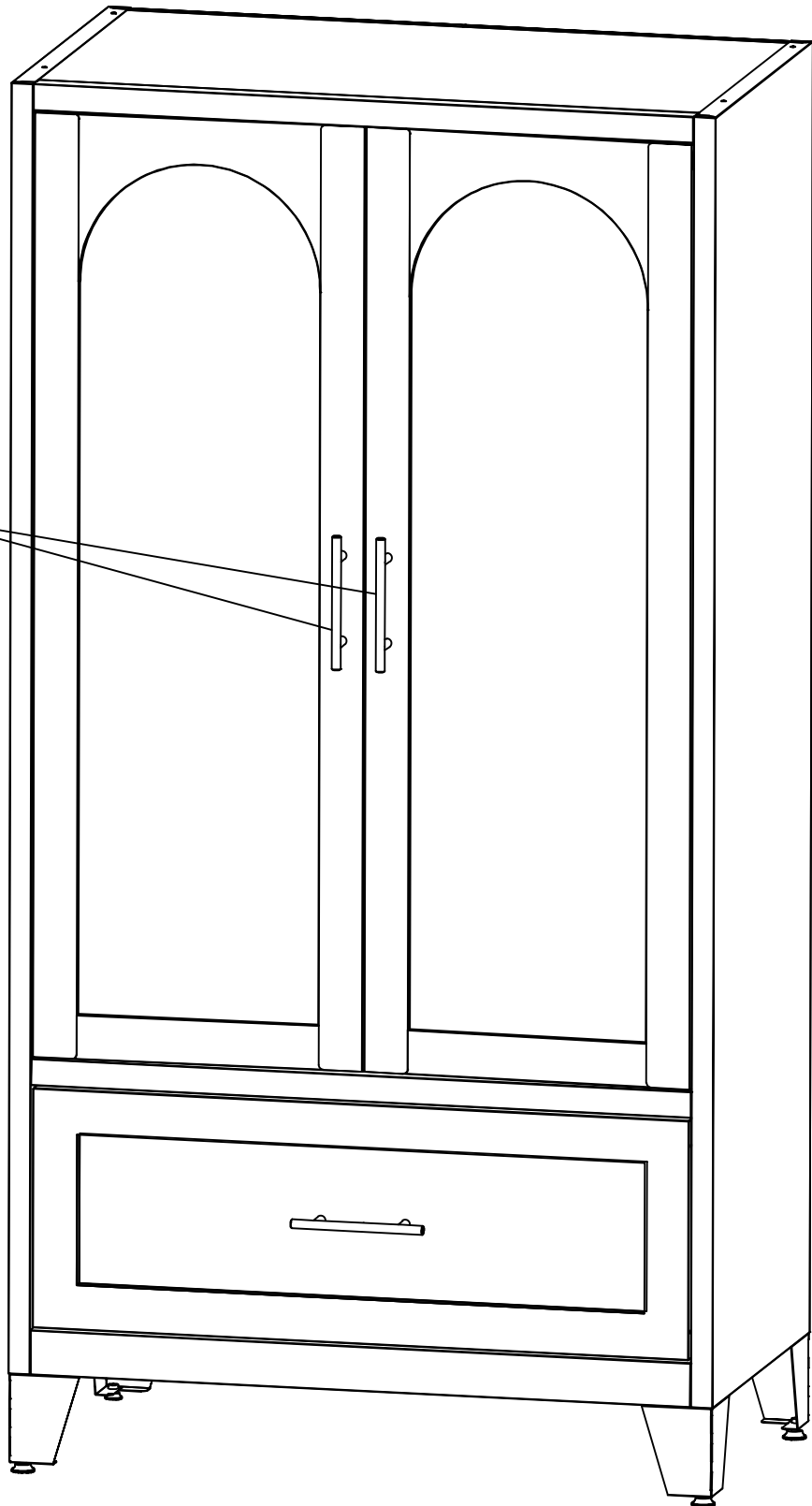
W

Y

Ux2 (M4*25)

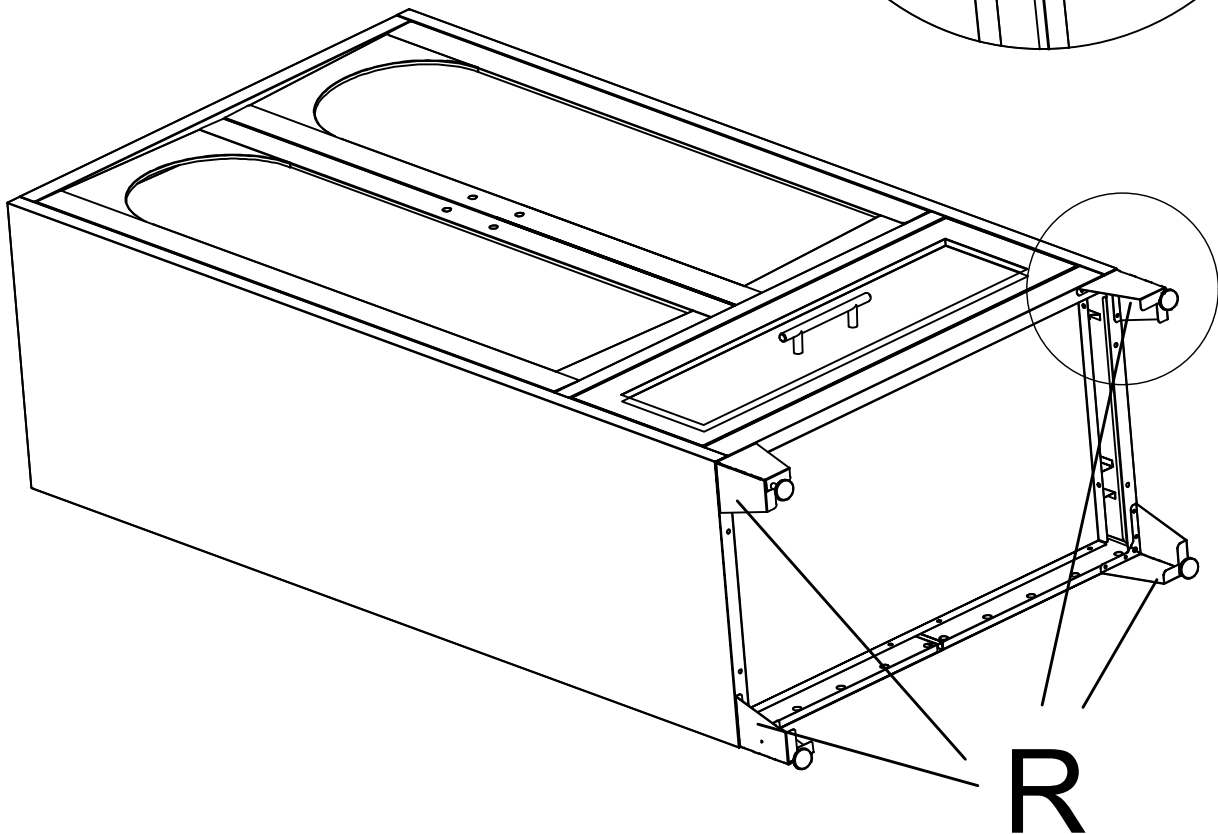
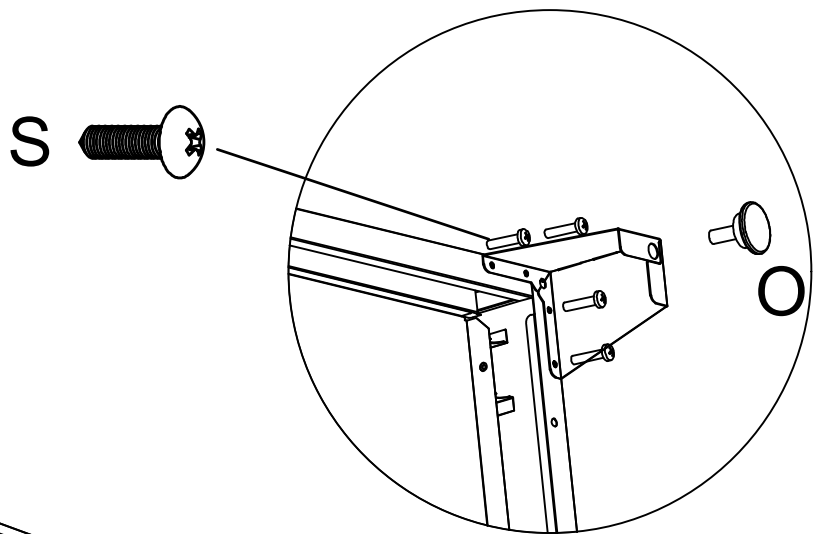
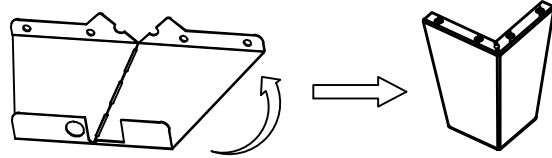
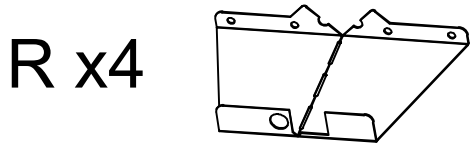
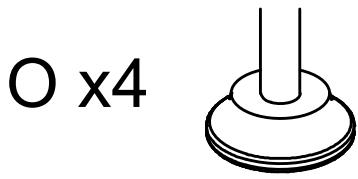


U

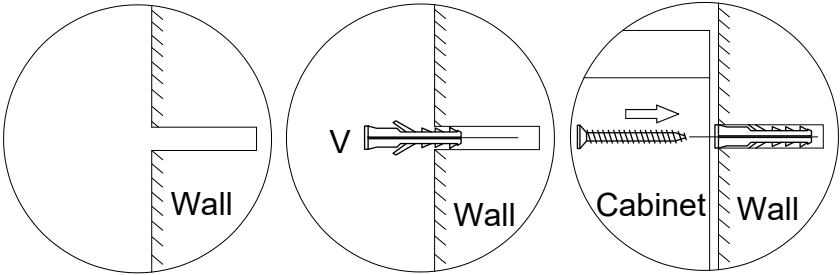


STEP 9 Install the foot stand and adjustable foot.

If the height is perfect for you, then no need to install the feet, you can skip this step. Congratulations! You made it!



The cabinet can be fixed to the wall as needed.



- 1. Drill holes on the wall
- 2. Insert V
- 3. Fasten the screw from cabinet

