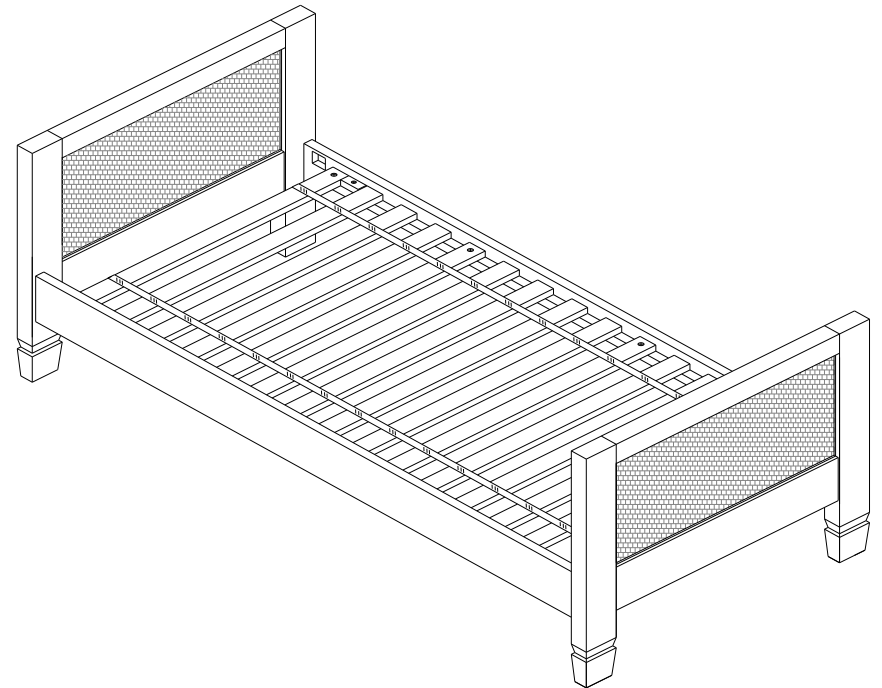


LIBBIE CANE AND WOOD DAYBED

DESIGN # SFV7721

Assembly Instructions



Need help?

Feel free to contact us via email or call
if you have any specific questions!

contact us:

cs@safavieh.com
866-422-9070

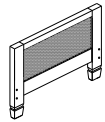
SAFAVIEH
C O U T U R E

Thanks for bringing
Safavieh Couture into
your home

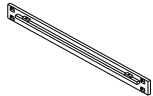
Everything we make is incredibly
simple to set up, including your new
daybed. You won't need any
additional tools.

Parts List

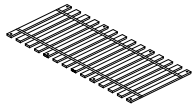
A x 2
HB & FB



B x 2
SIDE RAIL

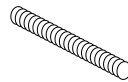


C x 1
SLAT ROLL



Hardware List

HW1 x 8
Stud bolt 8 x 0.8 x 80mm



HW2 x 8
Curved washer 8 x 22 x 15 x 1.5mm



HW3 x 8
Hexagonal nut 8 x 13 x 13mm



HW4 x 1
Open wrench 13mm

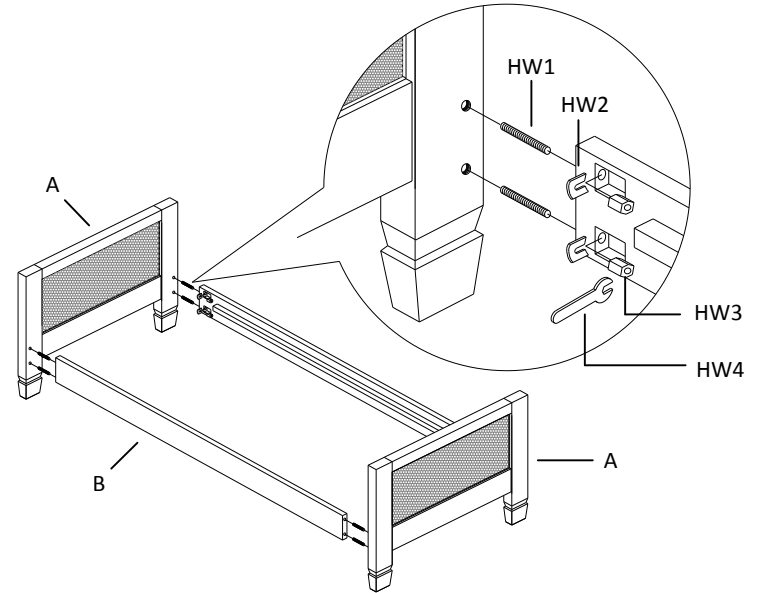


HW5 x 8
Screw JF 8 x 32mm



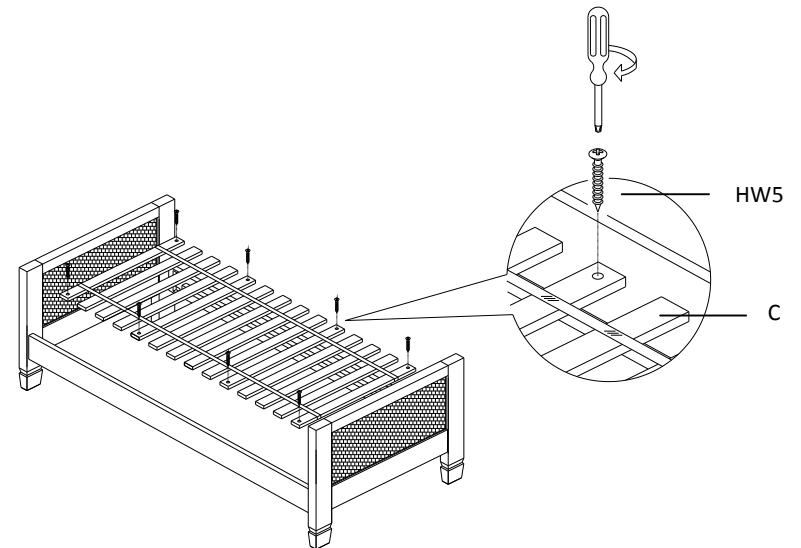
1

Screw the stud bolts (HW1) in a clockwise direction into the center slots on the headboard & footboard (A) with your hands. Insert the other end of Stud bolts (HW1) into the holes on the ends of the 2 side rails (B). Place the curved washer (HW2) and the nut (HW3) in the order shown below on the Stud bolt (HW1). Use the open Wrench (HW4) to tighten the nut (HW3).



2

Lay the slat rolls (C) out on the Side Rail's cleats. Use a screwdriver (not included) to screw in the JF screws (HW5) in the places shown below.



Place the daybed in the place where you will use it. We'd love to see it — just tag us (we're @safavieh) and use the hashtag #safavieh on Instagram!

@safavieh

