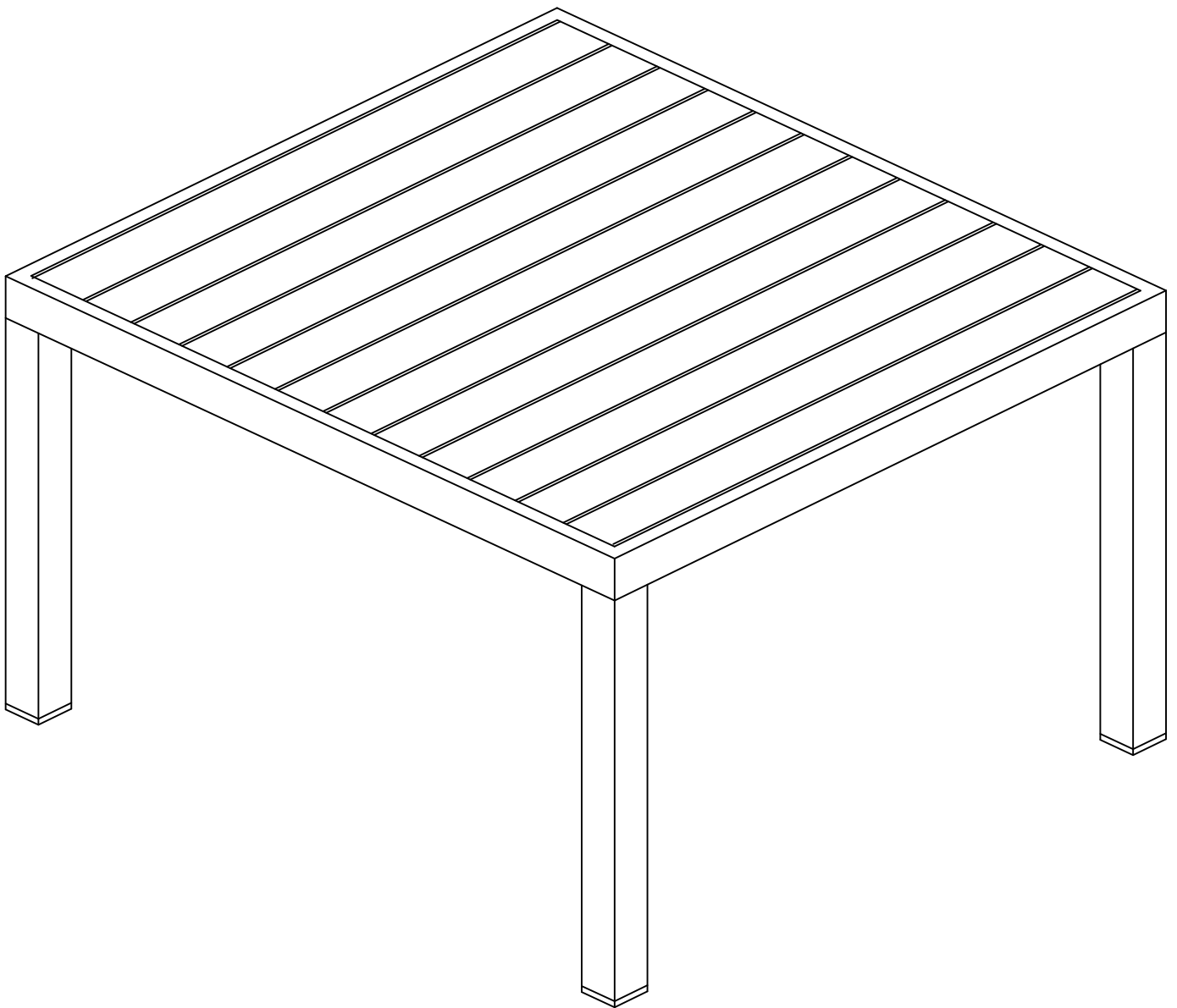


SOOHOW

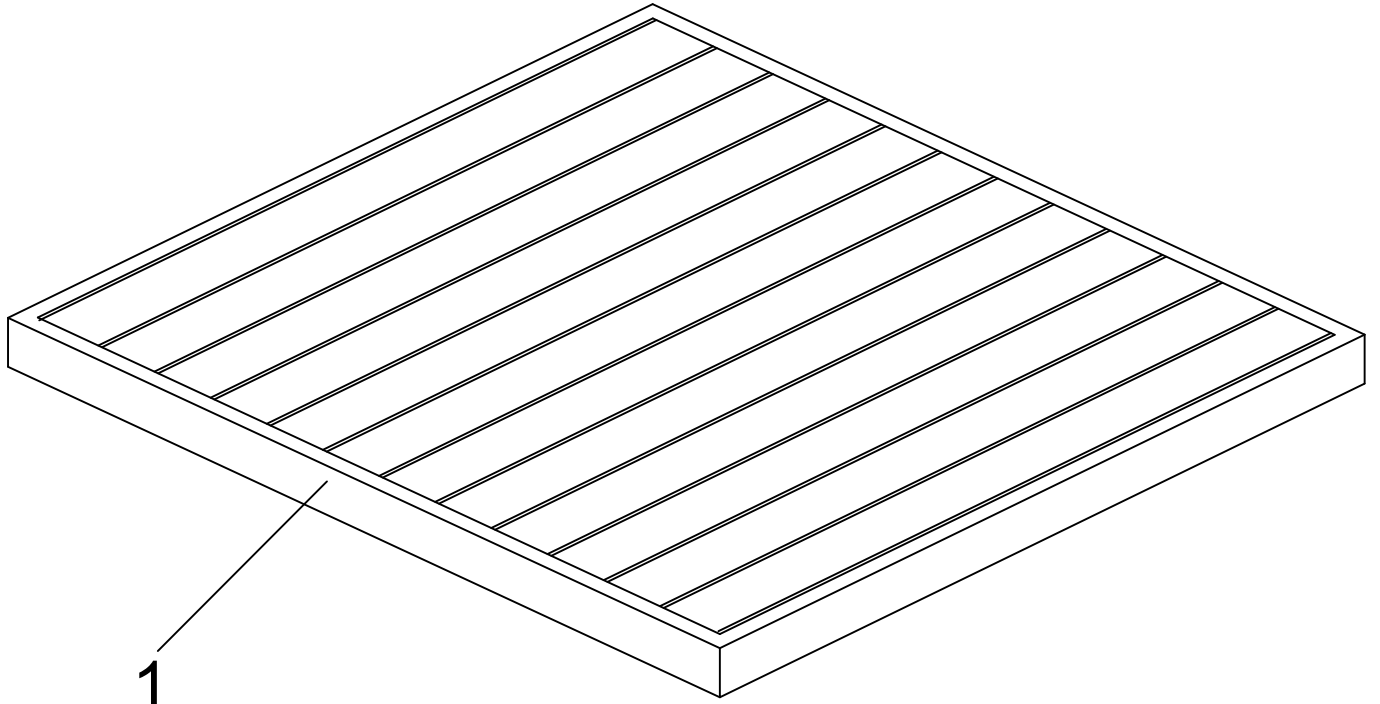
Assembly Manual Square table CS003



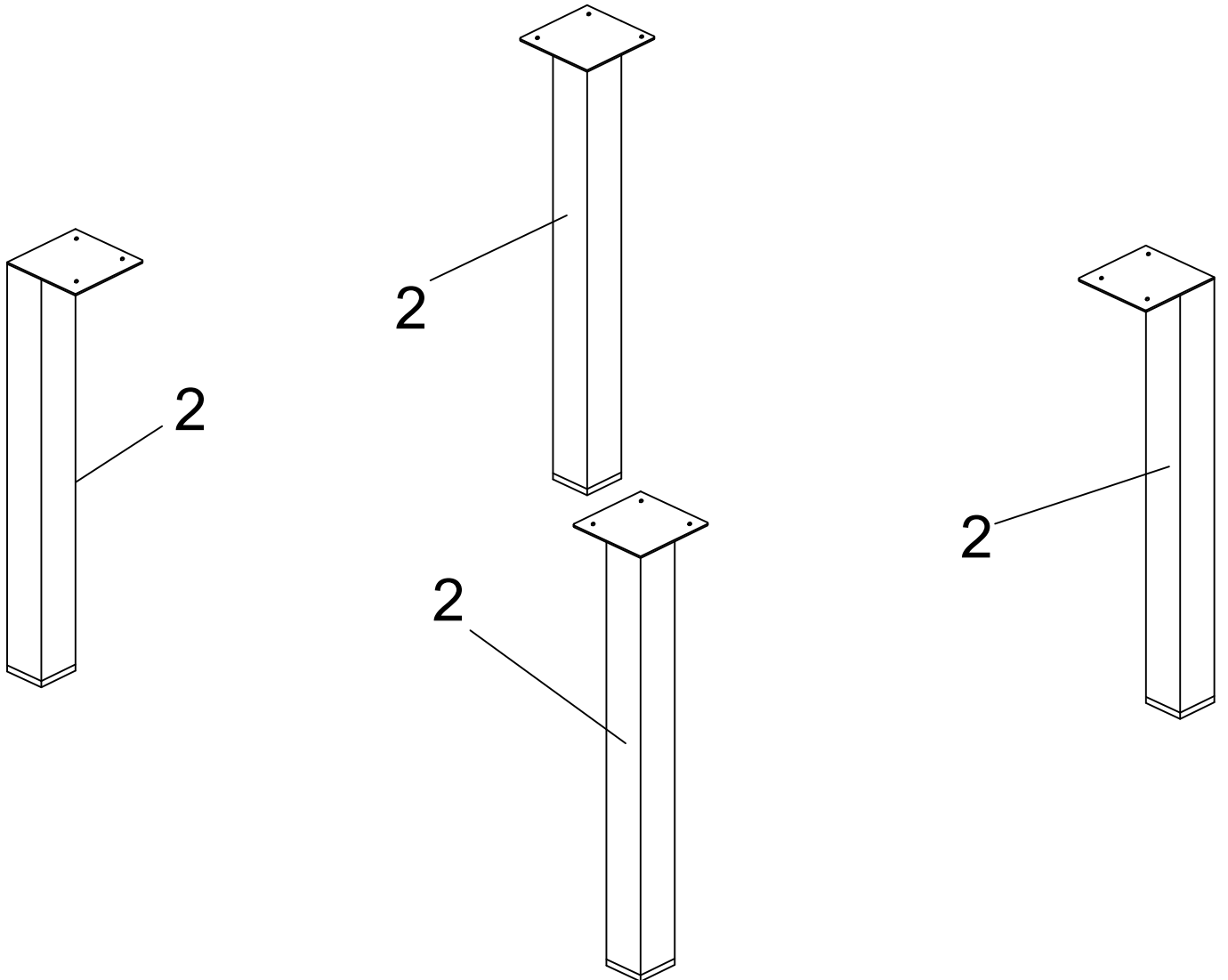
Please read this manual carefully before any operation and keep it properly for future use.

If any problems on our product, please feel free to contact us at ecservice@isunon.com.

Exploded View



1



2

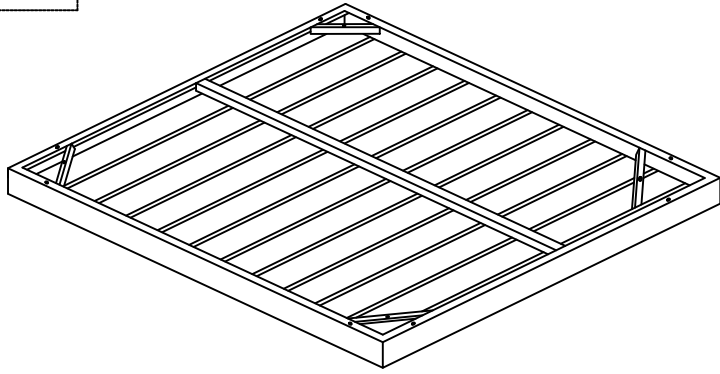
2

2

2

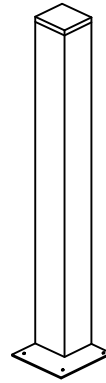
Components List

1



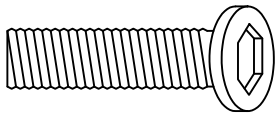
Top	1PC
-----	-----

2



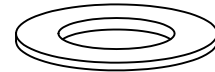
leg	4PCS
-----	------

3



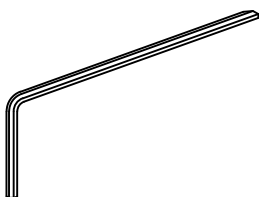
Bolt	M6X20	14PCS
------	-------	-------

4



Washer	M6	14PCS
--------	----	-------

5

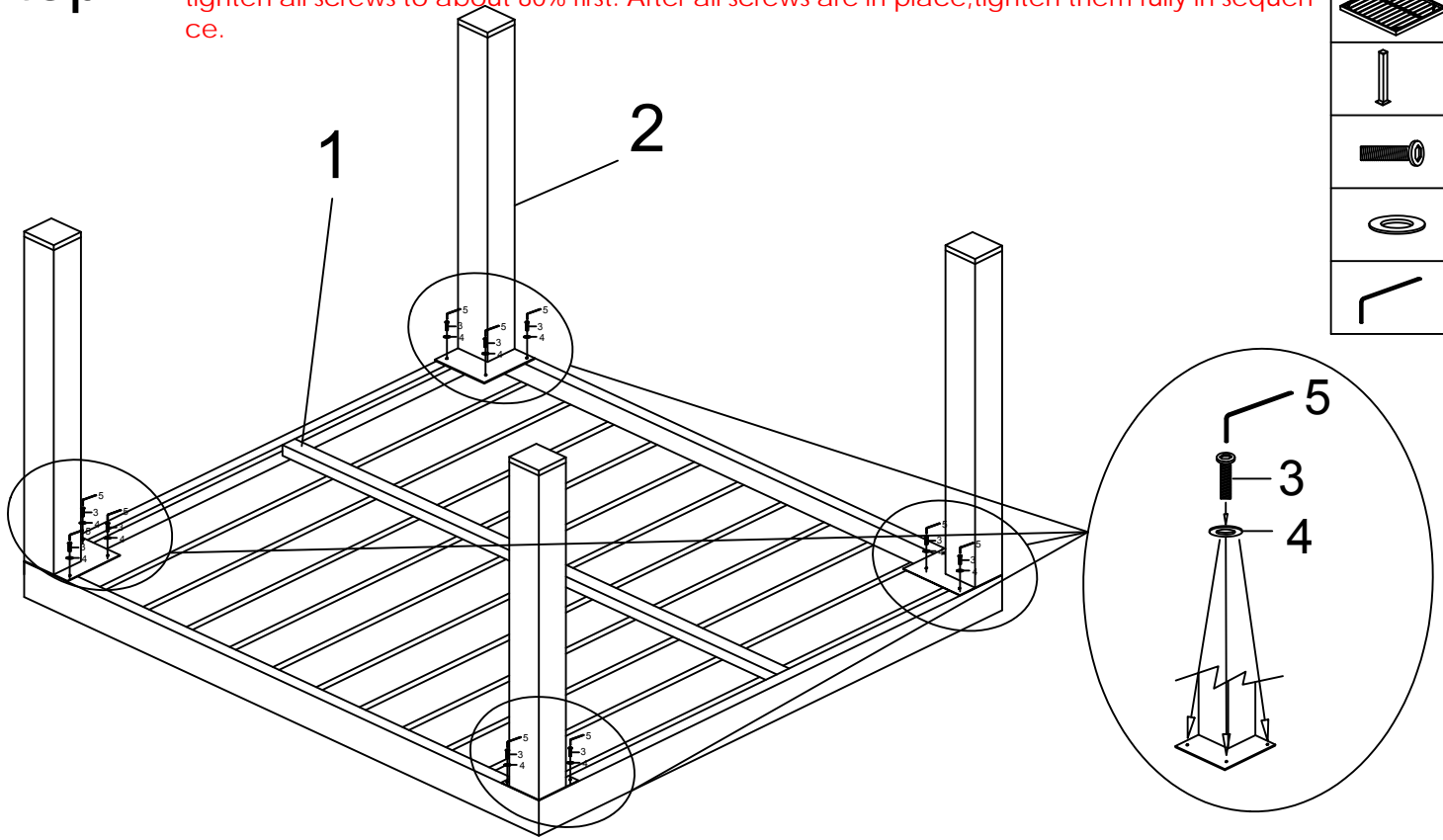


Allen wrench	M6	1PC
-----------------	----	-----

ASSEMBLY INSTRUCTION

Step 1

Attach legs(B) to the tabletop(A) using washers(D), bolts(C) and Allen wrench(E). Hand-tighten all screws to about 80% first. After all screws are in place, tighten them fully in sequence.



Step 2

Tighten all the bolts, flip the table over. The assembly is done.

