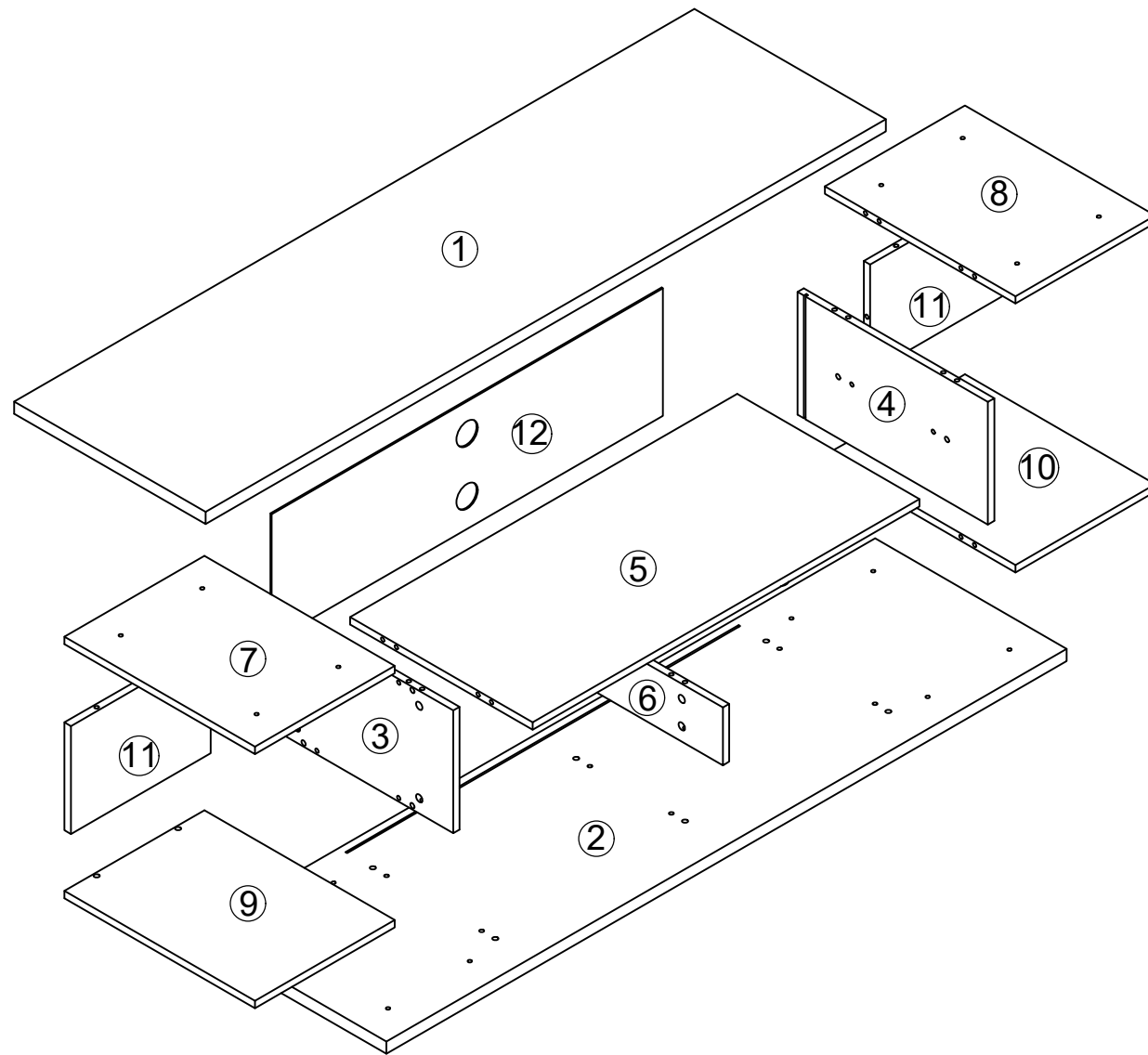




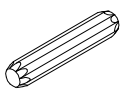



JMY2208104





<p>K</p>  <p>8PCS</p>	<p>L</p>  <p>4PCS</p>
--	--

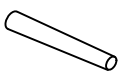
<p>A</p>  <p>34PCS</p>	<p>B</p>  <p>34PCS</p>
--	---


<p>C</p> <p>8*40</p>  <p>24PCS</p>
---


<p>D</p> <p>3.5*14</p>  <p>20PCS</p>
---

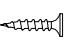
<p>E</p> <p>6*20</p>  <p>8PCS</p>
---

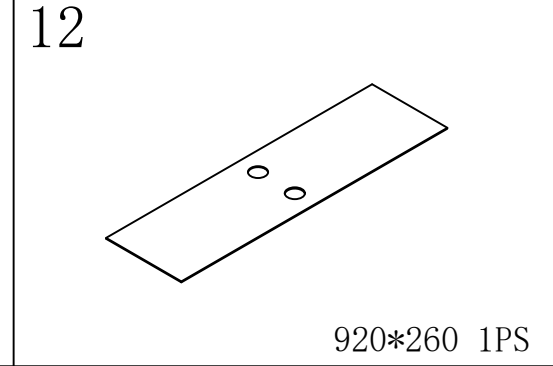
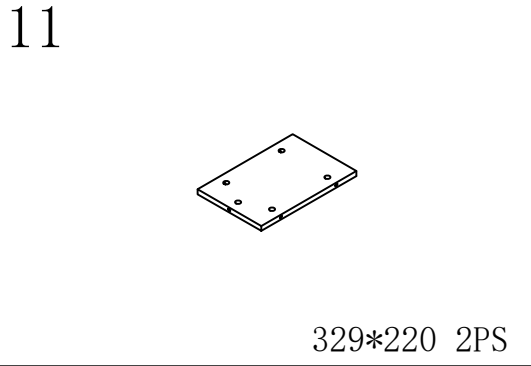
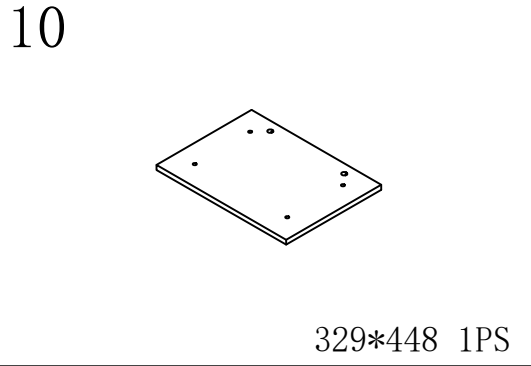
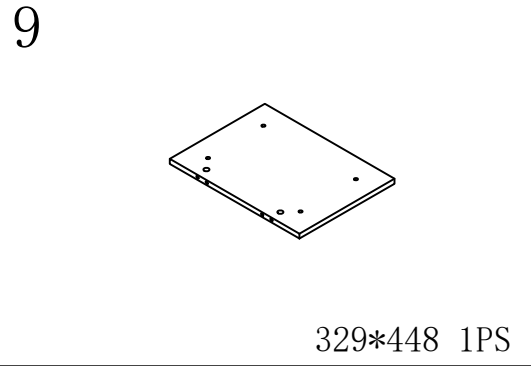
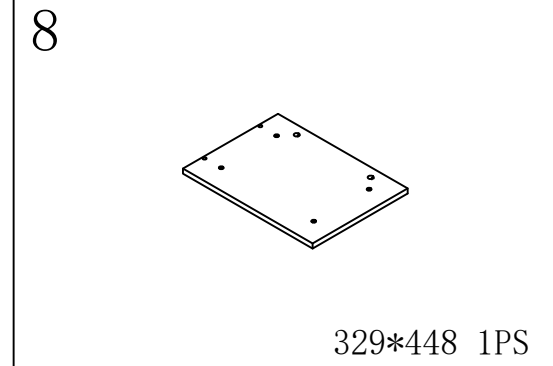
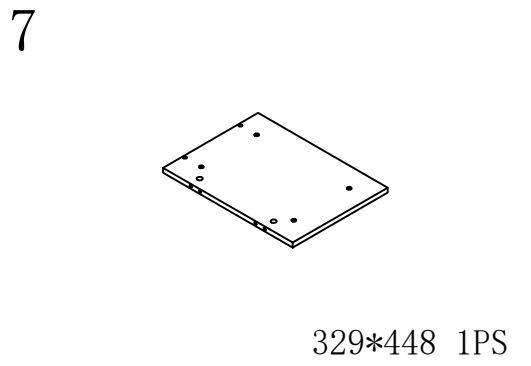
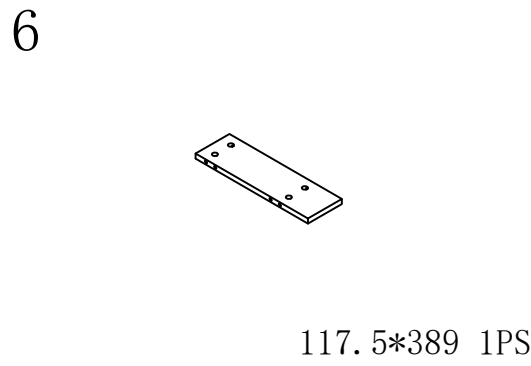
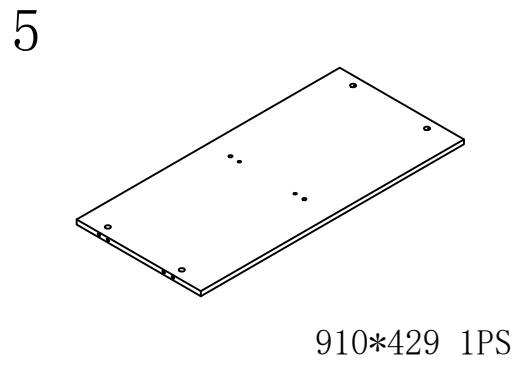
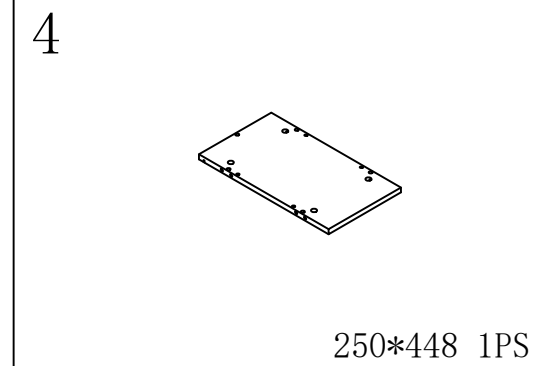
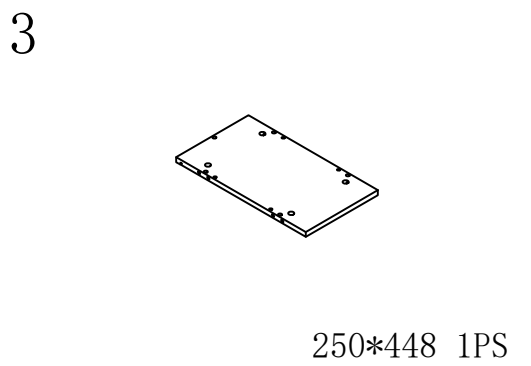
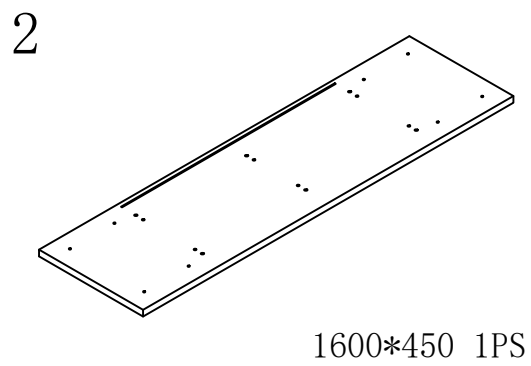
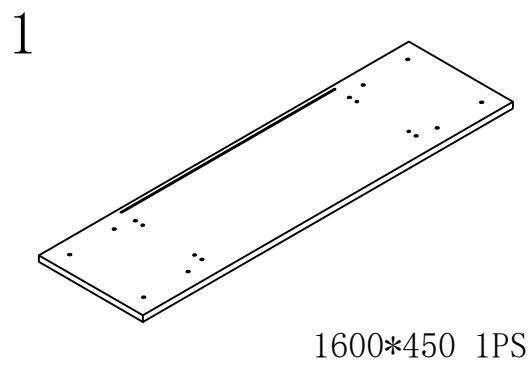
<p>F</p> <p>6*30</p>  <p>8PCS</p>
--

<p>G</p> <p>245mm</p>  <p>4PCS</p>
---

<p>H</p>  <p>4PCS</p>
--

<p>I</p>  <p>8PCS</p>
--

<p>J</p> <p>3*12</p>  <p>8PCS</p>
--

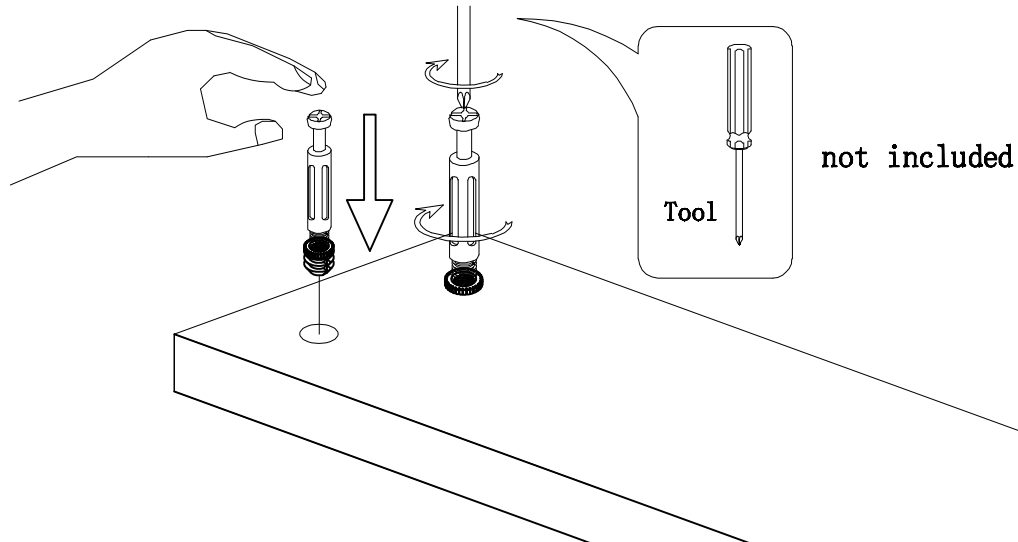




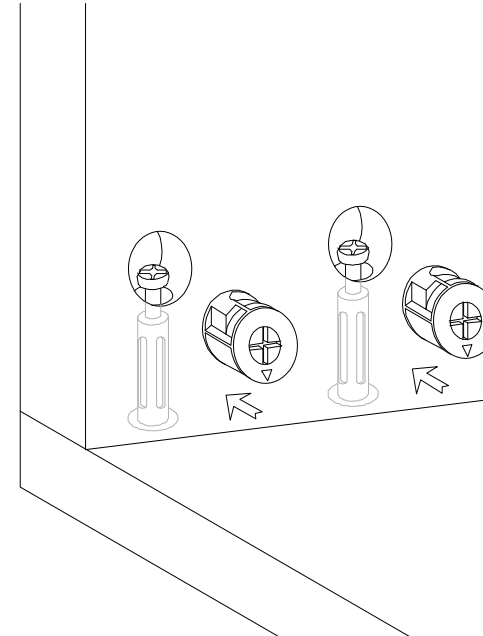
## Hardware installation demonstration

NOTE: Please make sure "A" hardware tightened and can't be pulled out!

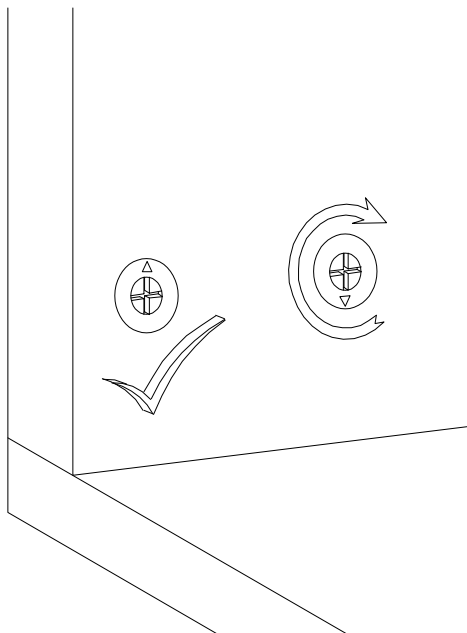
I



II



III

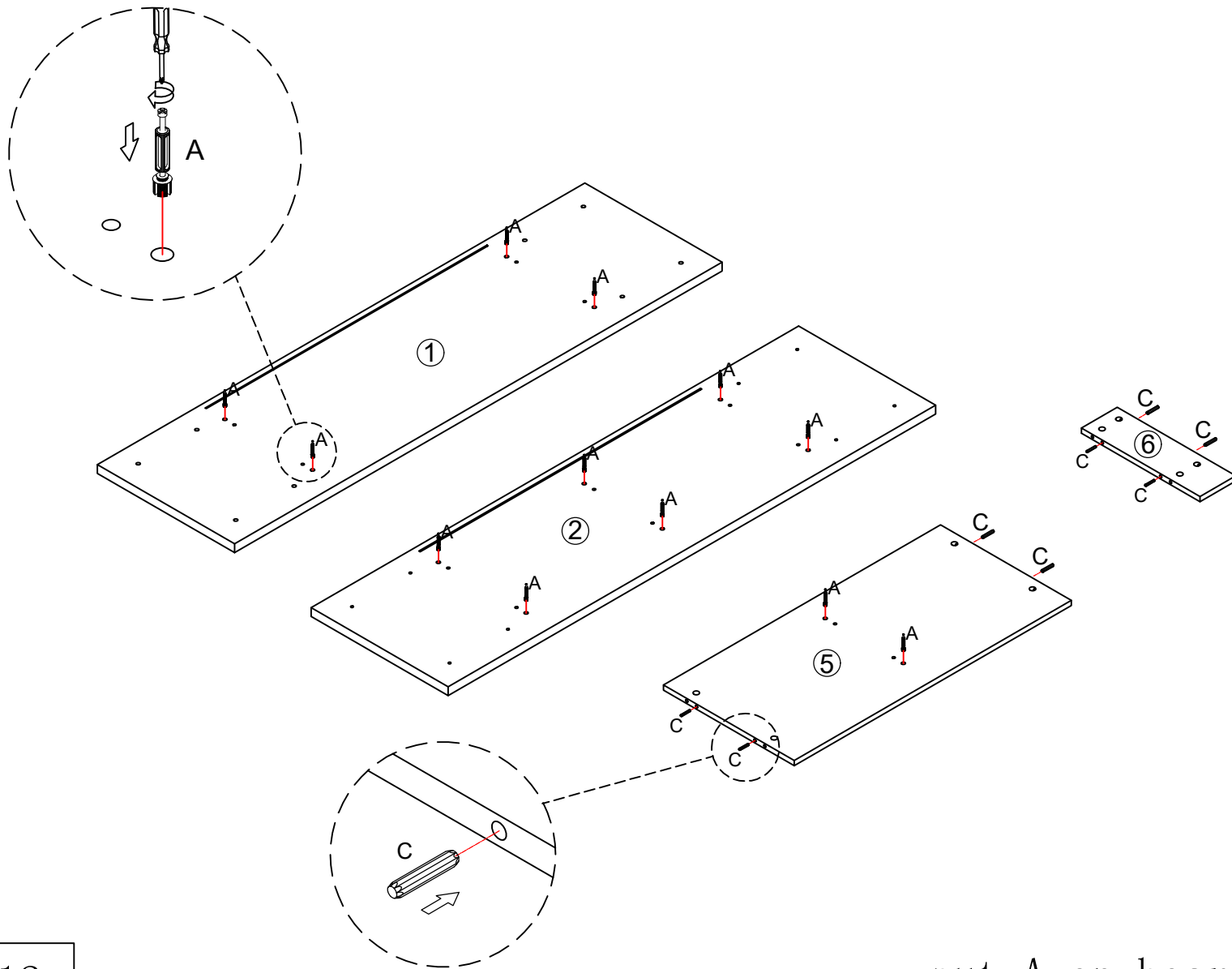



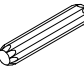
IV



Scan QR code for assembly video

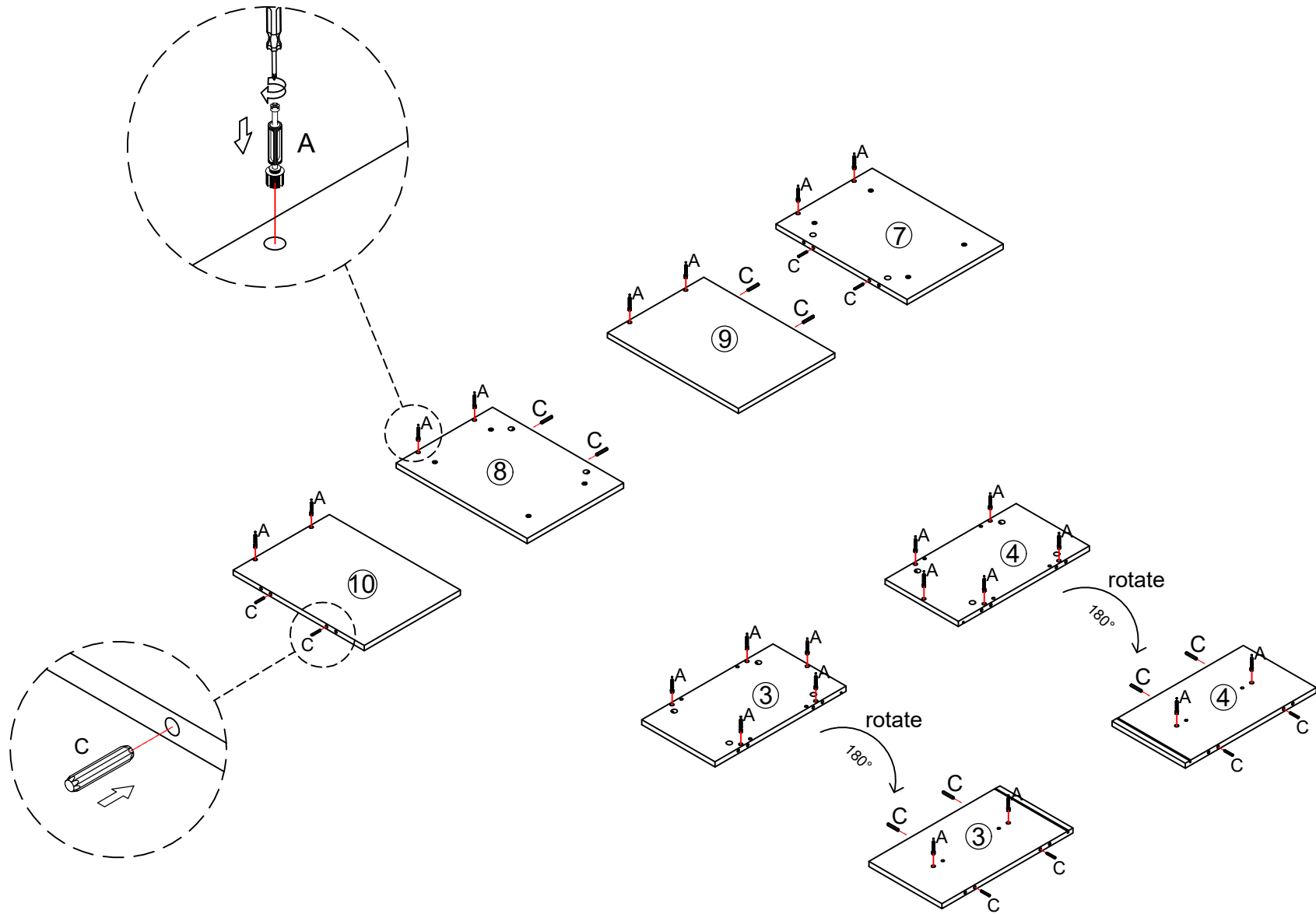
1


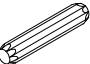


	A*12
	C*8

put A on board ①②⑤  
put C on board ⑤

2

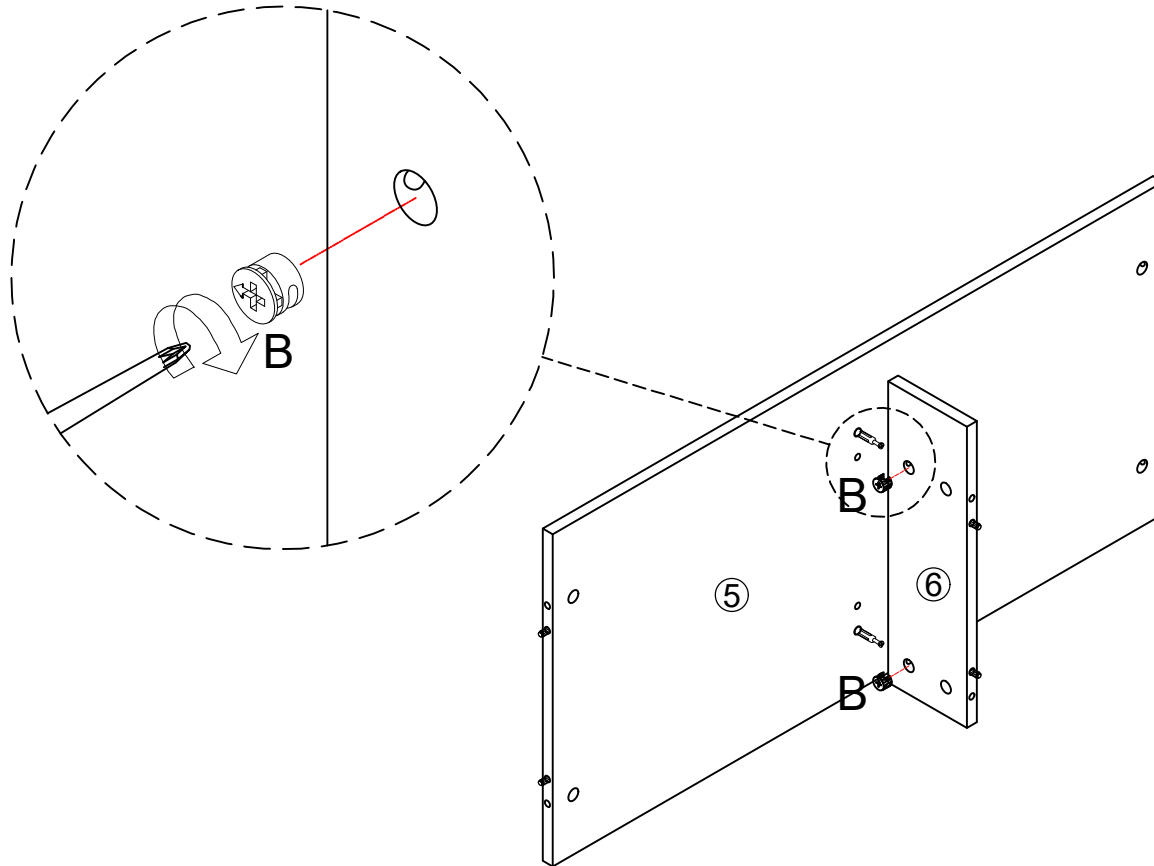


	A*22
	C*16

put A on board ③ ④ ⑦ ⑧ ⑨ ⑩  
put C on board ③ ④ ⑦ ⑧ ⑨ ⑩

3

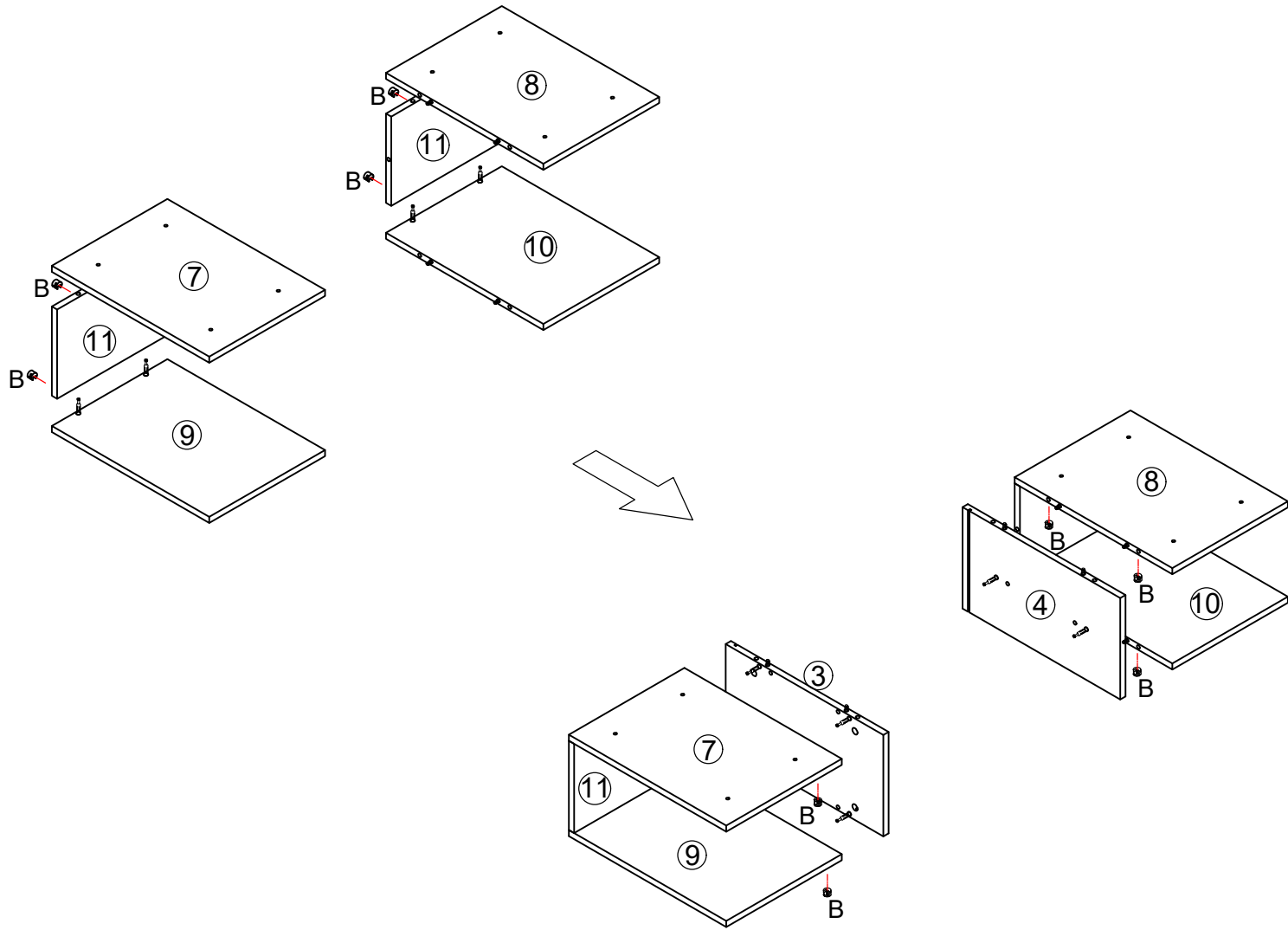
Make sure the arrow on the screw align to the hole on the side.



B\*2

put B on board ⑥

4

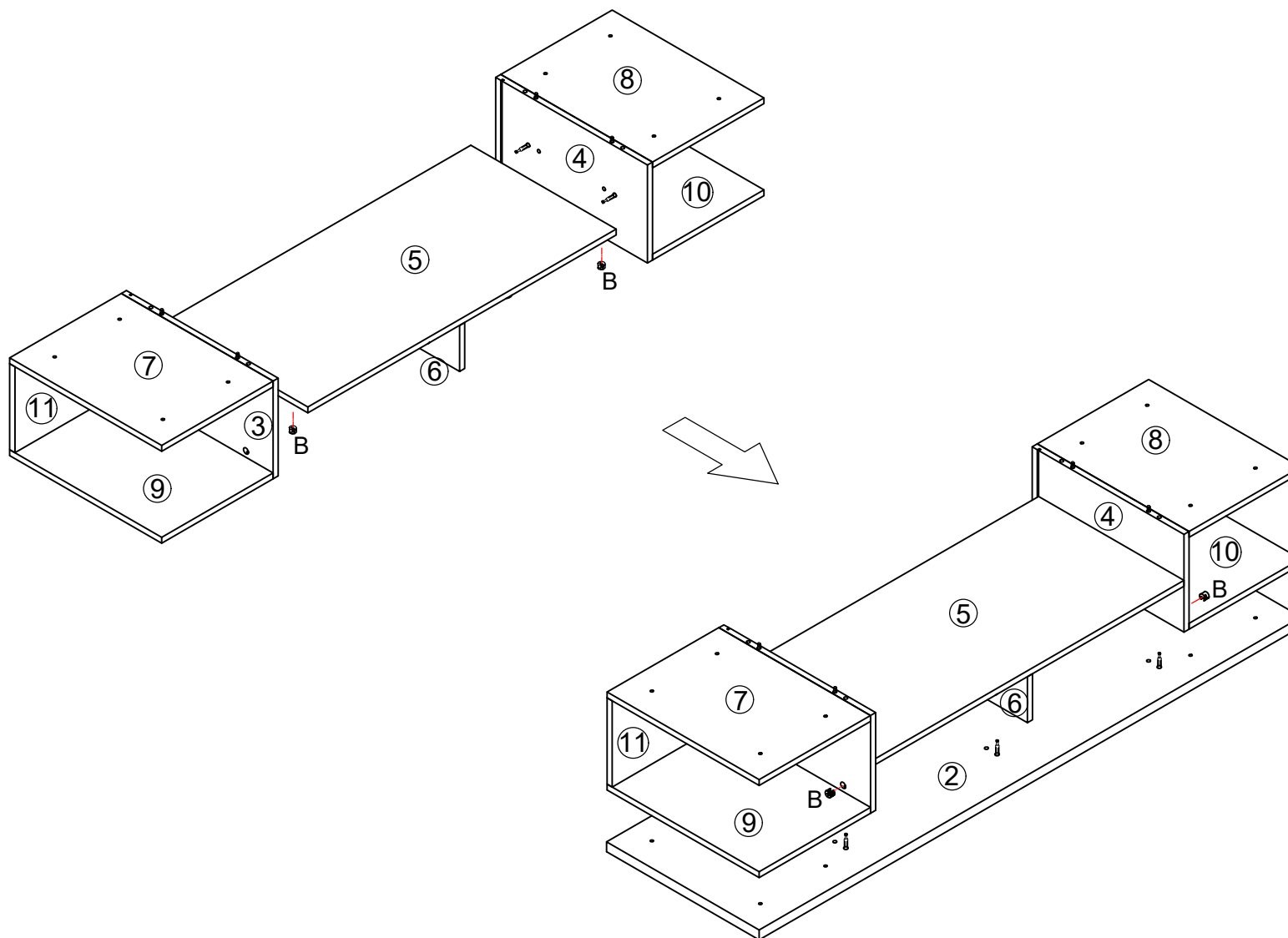


put B on board ⑦ ⑧ ⑨ ⑩ ⑪



B\*18

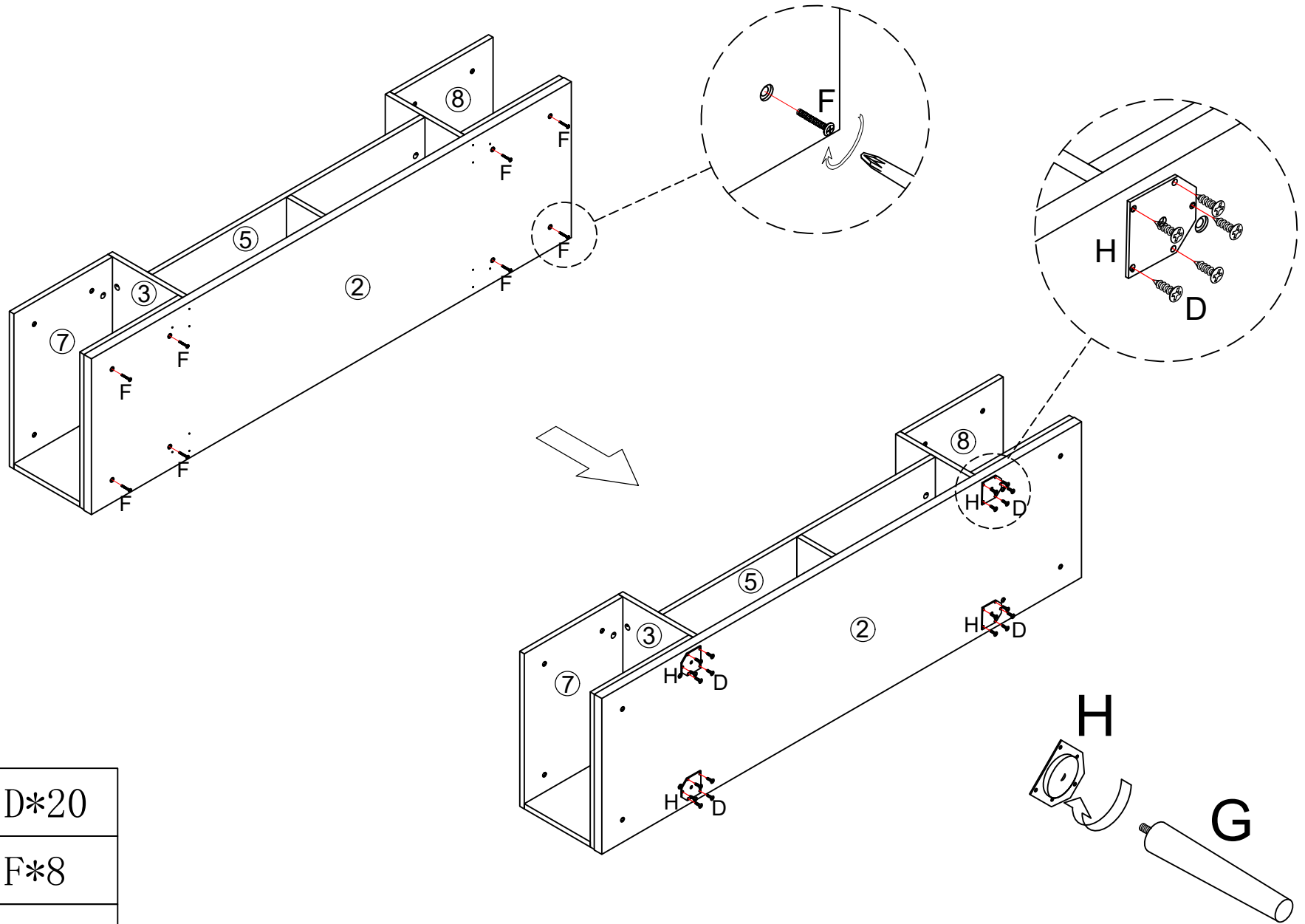
5



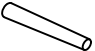



B\*10

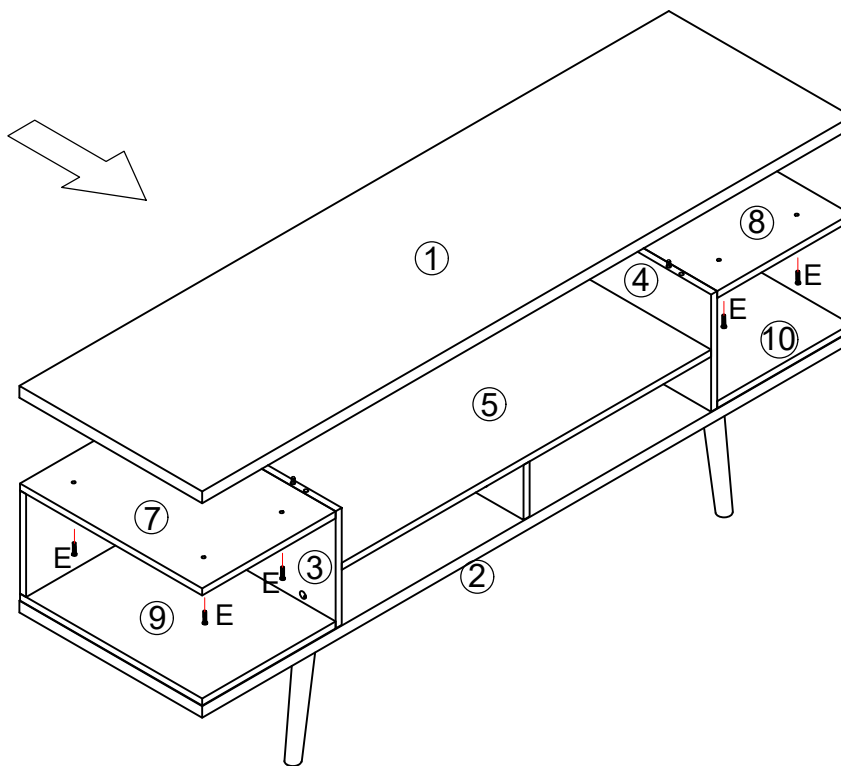
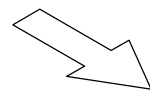
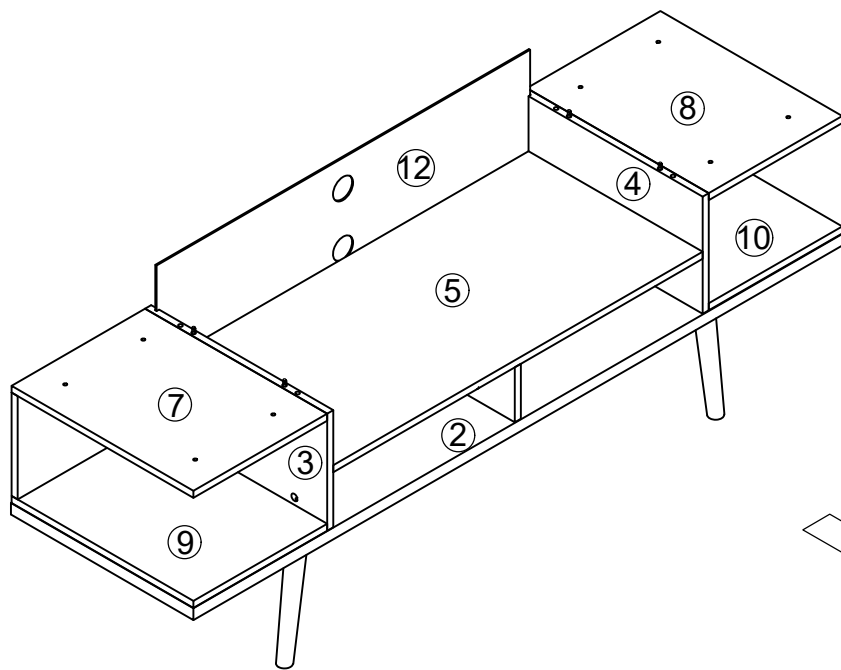
put B on board 5 6 9 10

6



	D*20
	F*8
	G*4
	H*4

7



put B on board ③ ④

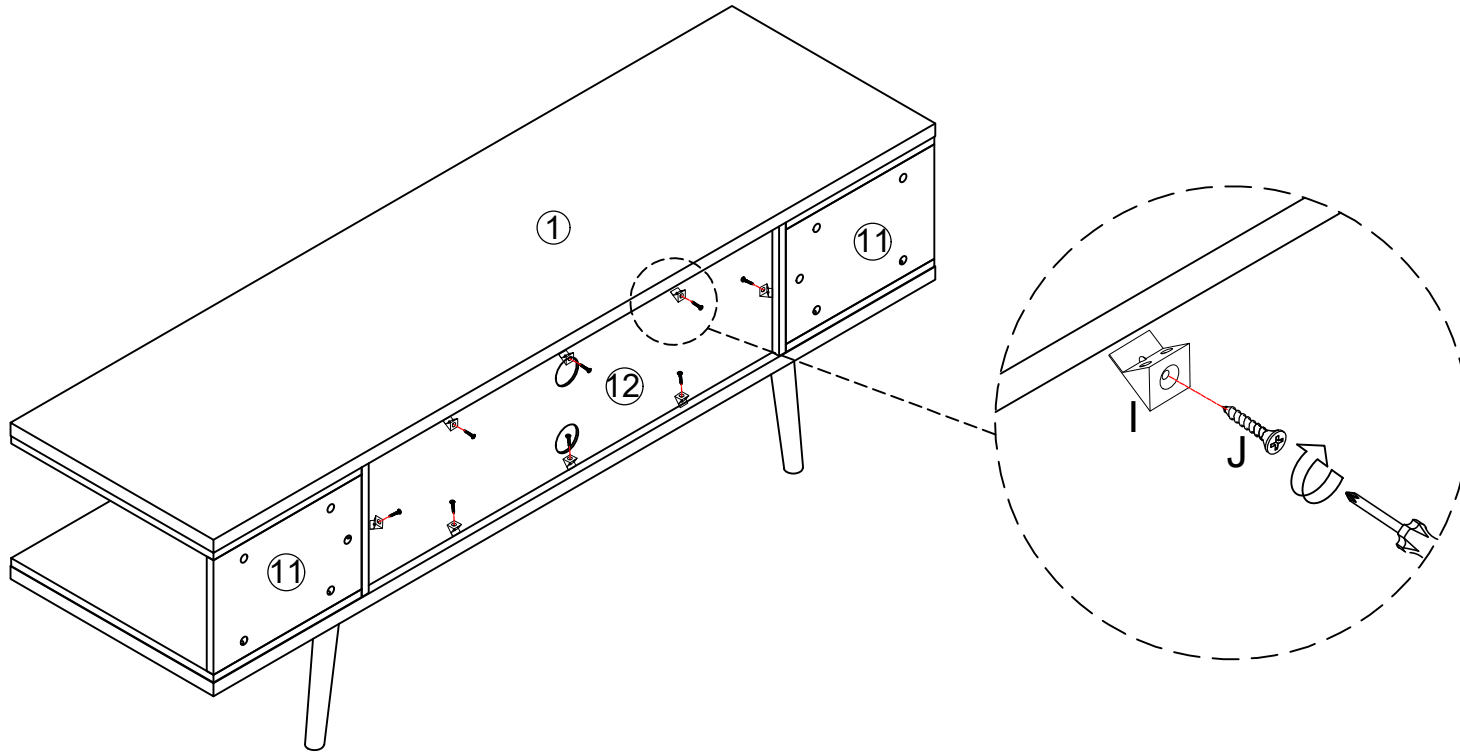


B\*4



E\*8

8

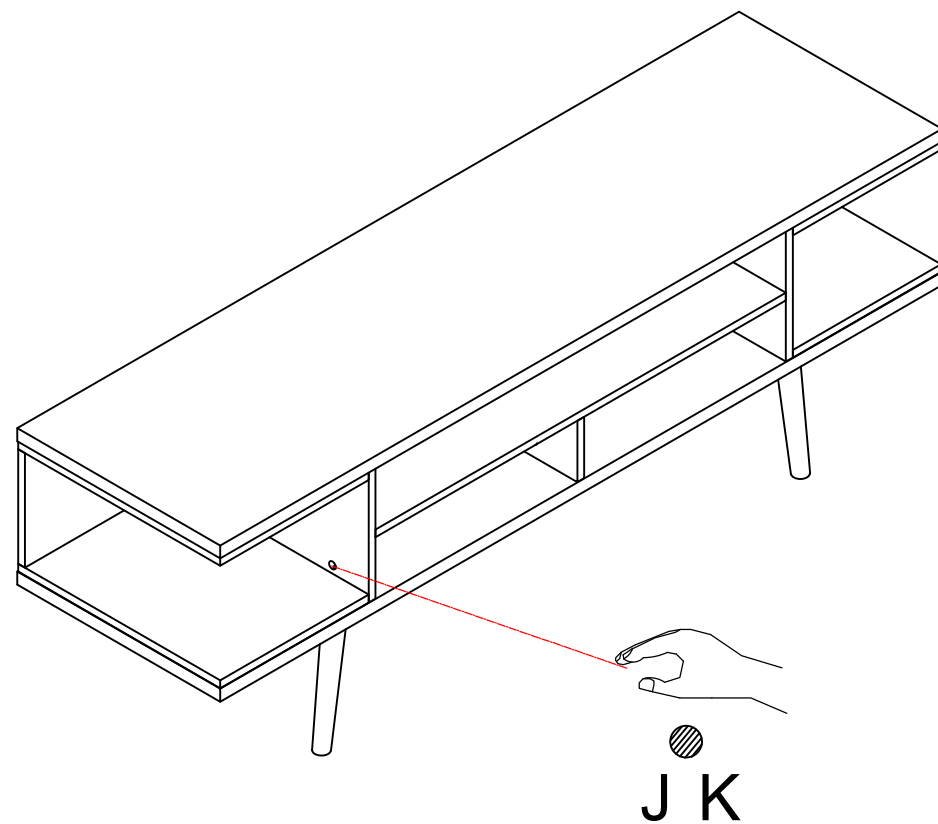


I\*8



J\*8

9



K\*8



L\*4

