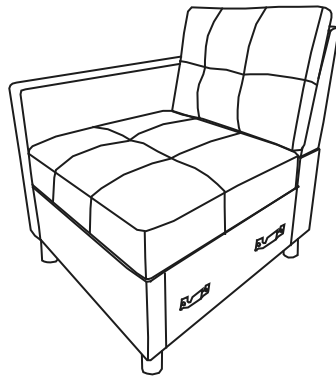
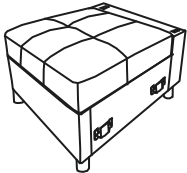
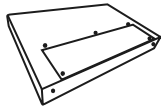
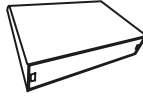
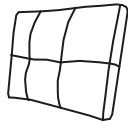









ASSEMBLY INSTRUCTION

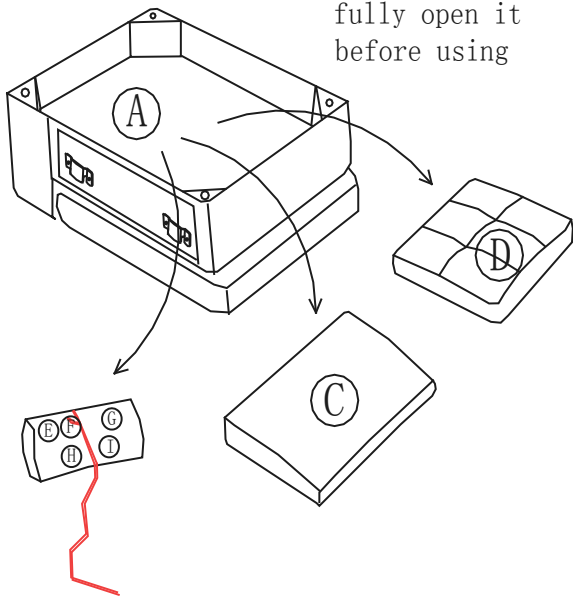


PARTS LIST

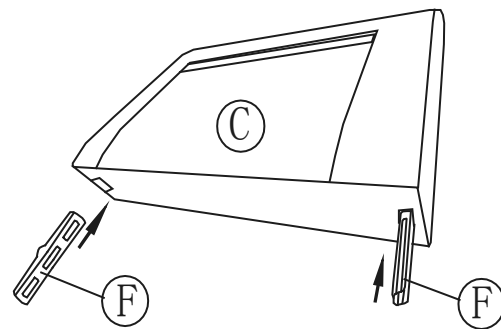
A x1 	B x1 	C x1 	D x1 	E x4 	
F x2 	G1 x5  M8*60	G2 x5 	G3 x1 	H x4 	I x4 

Step 1

Take out the soft bag and wait a few minutes to fully open it before using



Step 2



When the iron sheet is inserted, the groove faces outward.