

80062-011/012 DR ASSEMBLY INSTRUCTION



80062-011DR : <https://youtu.be/mf7doO0yzoA>

Scan QR Code for Assembly Instruction video or call customer service for video file.

Thank you for purchasing this quality product. Be sure to check all packing material carefully for small parts which may have come loose inside the carton during shipment. Separate, identify and count all parts and hardware. Compare with the parts list to be sure all parts are present.

IMPORTANT : PLEASE READ INSTRUCTION BEFORE STARTING THE ASSEMBLY.

"DO NOT TIGHTEN SCREWS UNTIL COMPLETELY ASSEMBLED"

"DO NOT OVERTIGHT ANY HARDWARE"

WARNING : SMALL PARTS AND HARDWARE NOT FOR CHILDREN UNDER 3 YEARS. ADULT ASSEMBLY REQUIRED.

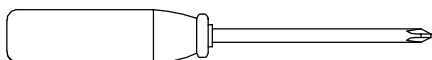
TABLE OF CONTENTS

HARDWARES LIST	PAGE 2 - 3
PARTS LIST	PAGE 4 - 6
PARTS' LOCATION	PAGE 7
PRECAUTIONS FOR ASSEMBLING DRAWER SLIDE	PAGE 8
ASSEMBLY STEPS	PAGE 9 - 27
ASSEMBLY COMPLETED	PAGE 28
ANTI-TIPPING INSTALLMENT INSTRUCTIONS	PAGE 29
PAY ATTENTION ITEMS	PAGE 30

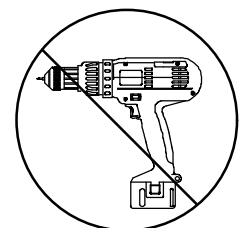
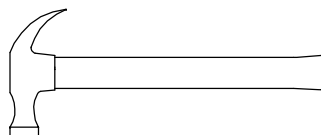
ASSEMBLY TOOLS REQUIRED

Skip the power trip this time.

1. Screwdriver (not provide)




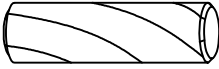
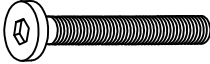
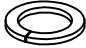
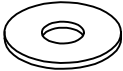
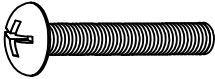
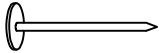
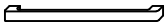


2. Hammer (not provide)



80062-011/012 DR ASSEMBLY INSTRUCTION


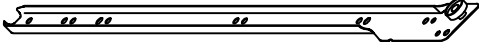
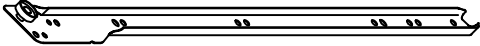


HARDWARES LIST

ITEM	DESCRIPTION	DRAWING	QTY
A	MINIFIX CAM LOCK		76 PCS
B	MINIFIX CAM BOLT		76 PCS
C	WOOD DOWEL (M8 x 25MM)		38 PCS
D	WOOD DOWEL (M6 x 25MM)		48 PCS
E	JCBC SCREW M6 x 35MM		4 PCS
F	SPRING WASHER M6 x 13MM		4 PCS
G	FLAT WASHER M6 x 19MM		4 PCS
I	TRUSS M-SCREW (20MM)		12 PCS
L	6/8" NAIL		24 PCS
M	HANDLE		6 PCS

MORE HARDWARES DETAIL IN NEXT PAGE...

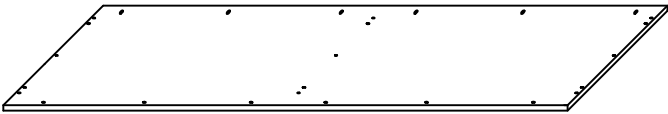
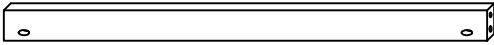
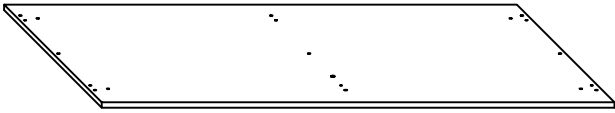
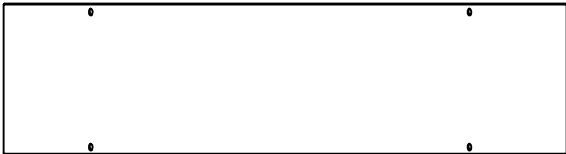

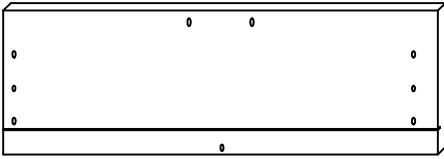
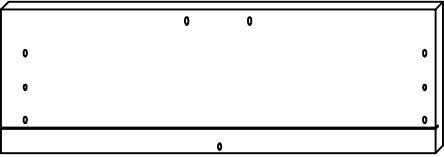
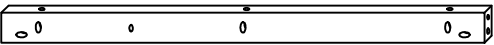
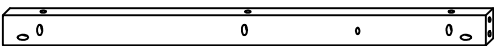
80062-011/012 DR ASSEMBLY INSTRUCTION

HARDWARES LIST

ITEM	DESCRIPTION	DRAWING	QTY
N	M4 ALLEN KEY (65MM)		1 PC
O	LEFT DRAWER SLIDE		6 PCS
P	RIGHT DRAWER SLIDE		6 PCS
Q	CSK SCREW M3 x 10mm		48 PCS
R	PLASTIC STRIP (H SHAPE)		1 PC

80062-011/012 DR ASSEMBLY INSTRUCTION

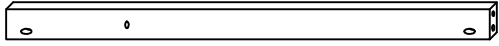
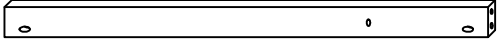
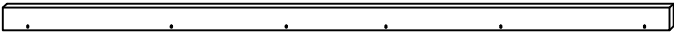
PARTS LIST (BOX 1)

ITEM	DESCRIPTION	DRAWING	QTY
D1	TOP PANEL		1 PC
D5	FRONT CENTRE SUPPORT RAIL		4 PCS
D23	BOTTOM PANEL		1 PC
D11A	UPPER BACK PANEL		1 PC
D11B	LOWER BACK PANEL		1 PC
D12	LEFT DRAWER HEAD		3 PCS
D13	RIGHT DRAWER HEAD		3 PCS
D6	BACK TOP SUPPORT RAIL (L)		1 PC
D7	BACK TOP SUPPORT RAIL (R)		1 PC

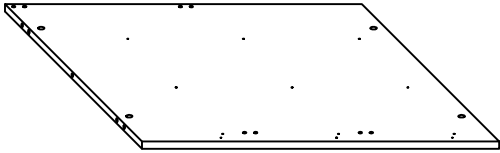

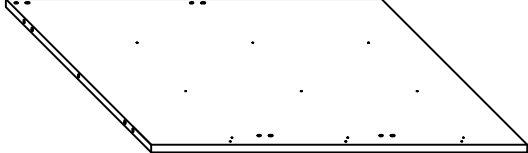
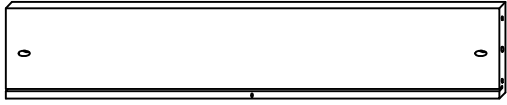
MORE PARTS DETAIL IN NEXT PAGE...

80062-011/012 DR ASSEMBLY INSTRUCTION

PARTS LIST (BOX 1)

ITEM	DESCRIPTION	DRAWING	QTY
D8	BACK CENTRE SUPPORT RAIL (L)		1 PC
D9	BACK CENTRE SUPPORT RAIL (R)		1 PC
D16	TOP FRAME		1 PC

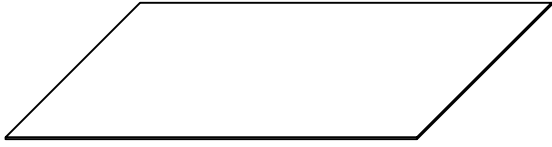
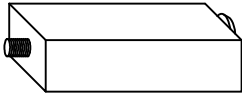
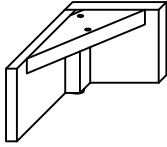
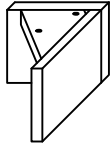
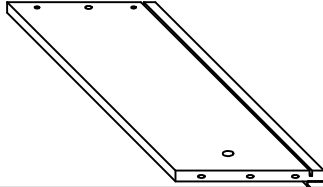
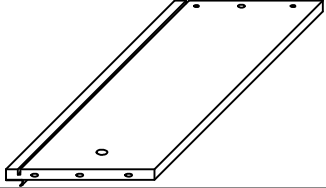
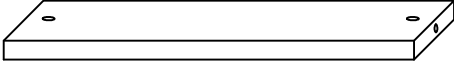
PARTS LIST (BOX 2)

ITEM	DESCRIPTION	DRAWING	QTY
D2	LEFT PANEL		1 PC
D3	RIGHT PANEL		1 PC
D4	CENTRE PANEL		1 PC
D14	DRAWER BACK PANEL		6 PCS

MORE PARTS DETAIL IN NEXT PAGE...

80062-011/012 DR ASSEMBLY INSTRUCTION

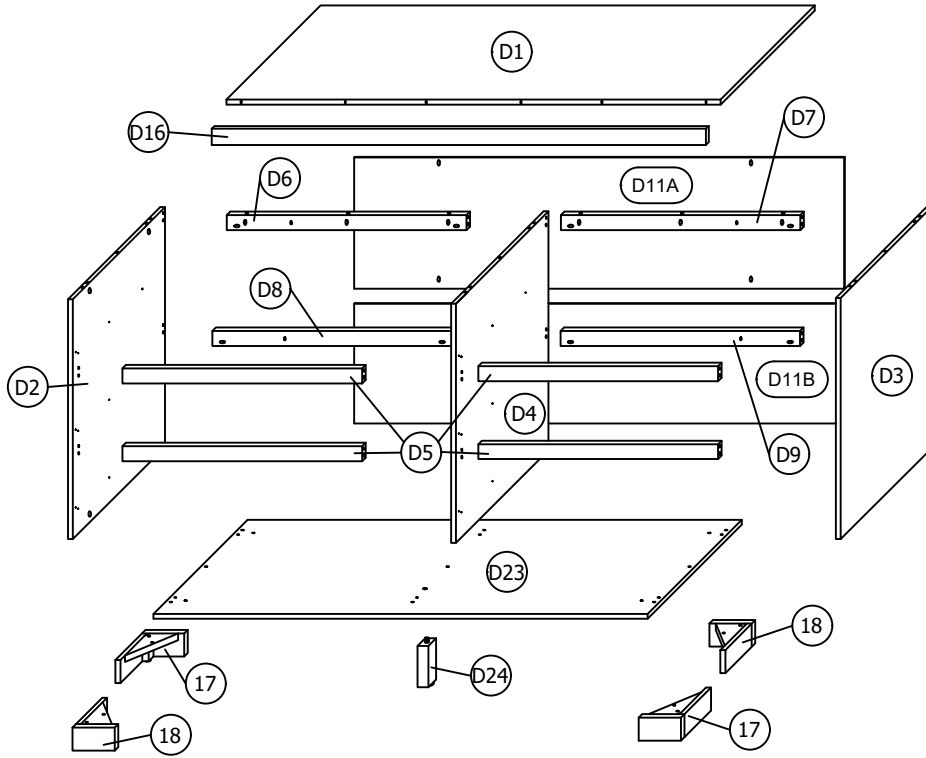
PARTS LIST (BOX 2)

ITEM	DESCRIPTION	DRAWING	QTY
D15	DRAWER BOTTOM PANEL		6 PCS
D24	CENTRE SUPPORT LEG		1 PC
17	LEG (i)		2 PCS
18	LEG (ii)		2 PCS
19	DRAWER LEFT PANEL		6 PCS
20	DRAWER RIGHT PANEL		6 PCS
21	DRAWER BOTTOM SUPPORT RAIL		6 PCS

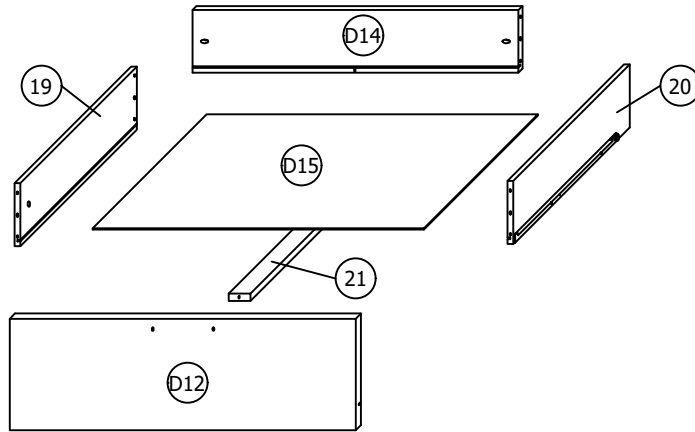
80062-011/012 DR ASSEMBLY INSTRUCTION

PARTS ' LOCATION

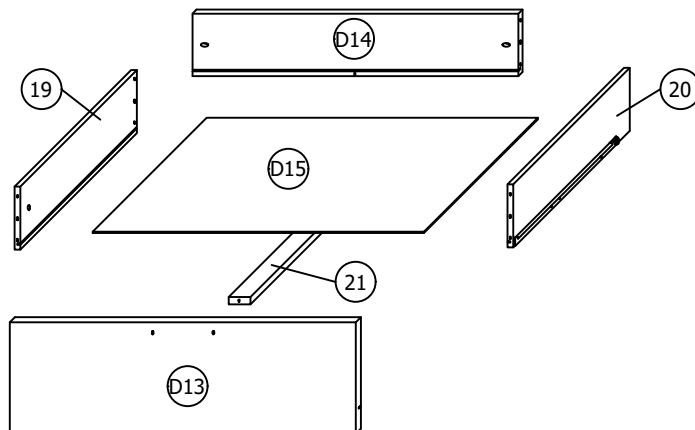
DRESSER x 1 PC



LEFT DRAWER x 3 PCS



RIGHT DRAWER x 3 PCS

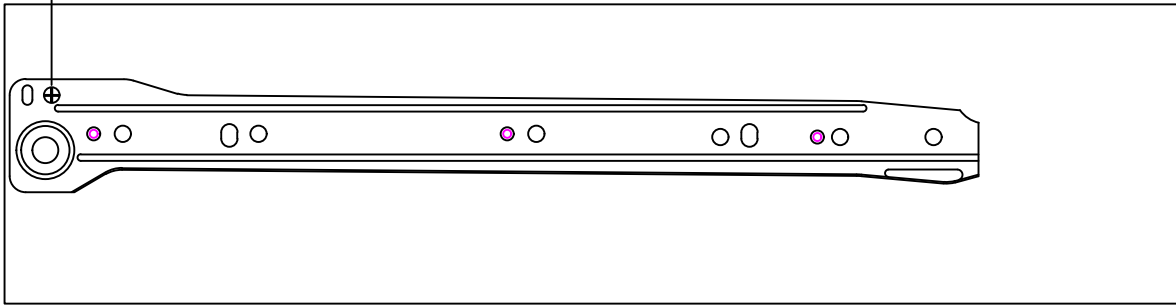


80062-011/012 DR ASSEMBLY INSTRUCTION

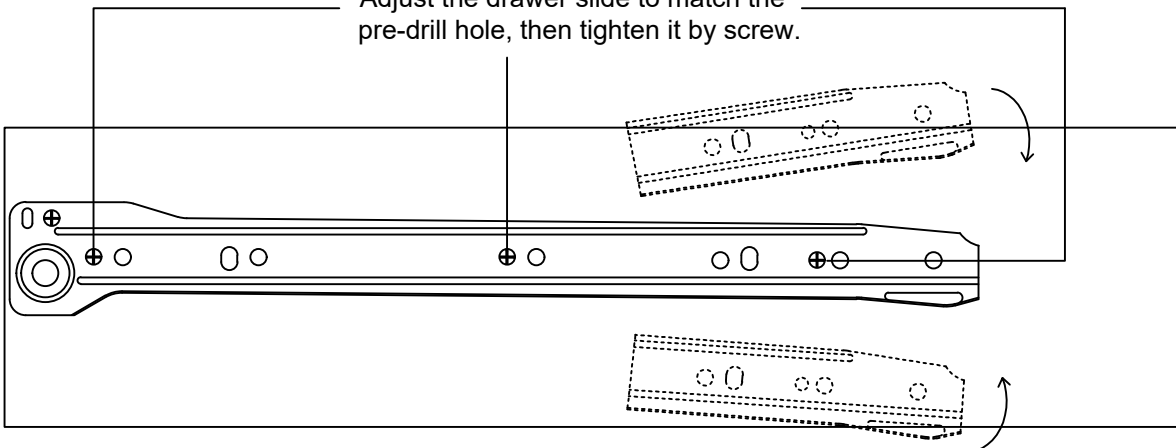
PRECAUTIONS FOR ASSEMBLING DRAWER SLIDE

FOR ITEM (O) and (P) - STEP 1 to 4

Align the hole then insert screw and tight this hole first.



Adjust the drawer slide to match the pre-drill hole, then tighten it by screw.



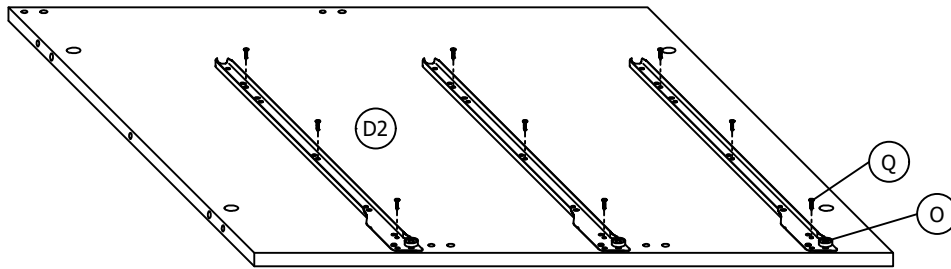
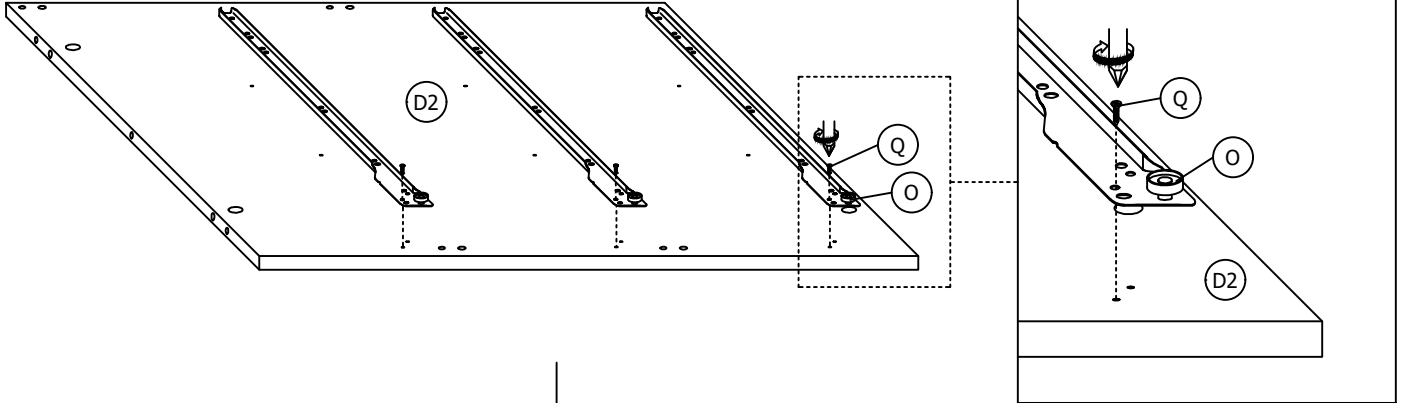
80062-011/012 DR ASSEMBLY INSTRUCTION

ASSEMBLY STEPS

STEP 1

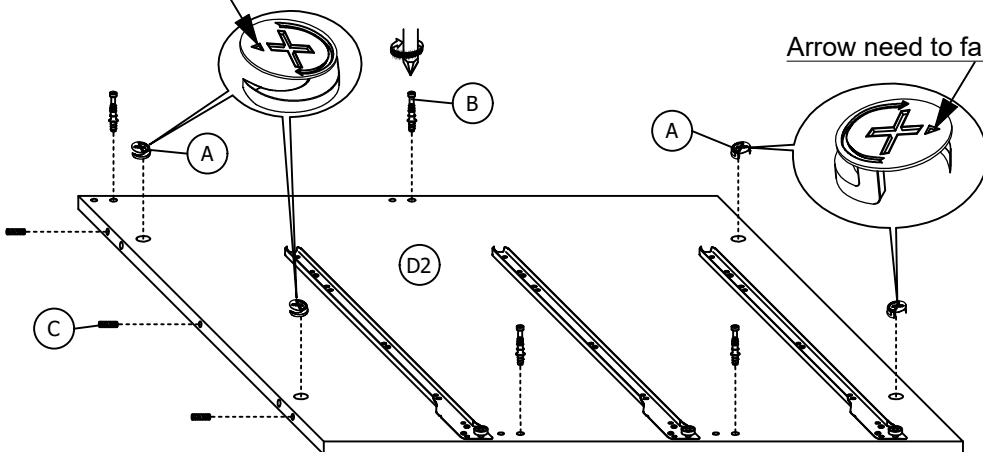
Fix 3 pieces (O) to the (D2) by using 12 pieces (Q). Then insert 4 pieces (A),(B) and 3 pieces (C) as shown.

Attention : Follow the instructions in previous page to assembly (O).

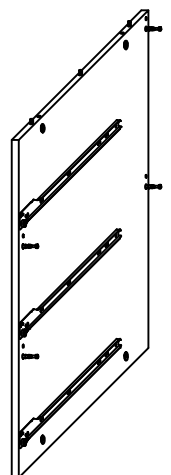


Arrow need to face up side.

Arrow need to face down.



Assembled become like this

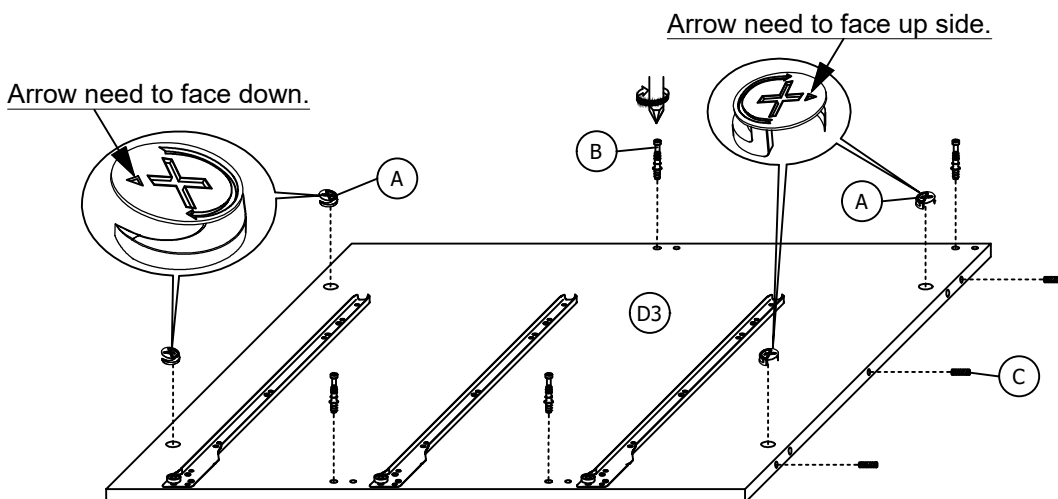
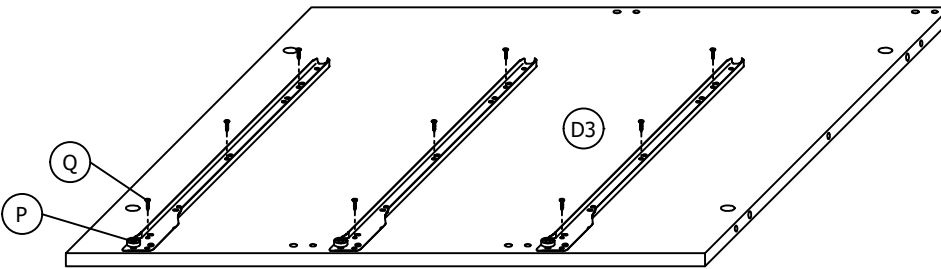
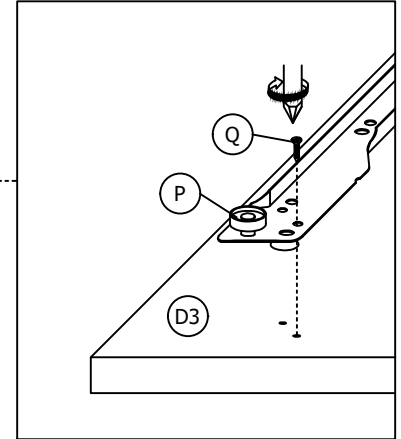
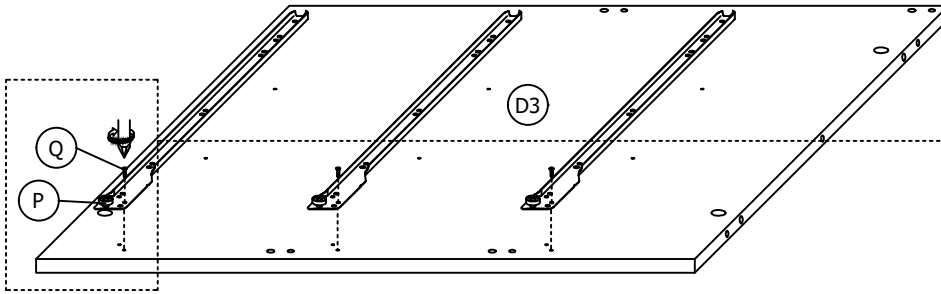


80062-011/012 DR ASSEMBLY INSTRUCTION

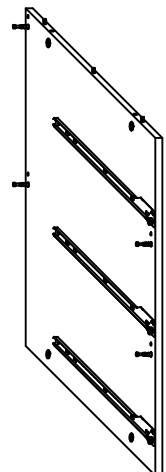
STEP 2

Fix 3 pieces (P) to the (D3) by using 12 pieces (Q). Then insert 4 pieces (A),(B) and 3 pieces (C) as shown.

Attention : Follow the instructions in page 8 to assembly (P).



Assembled become like this

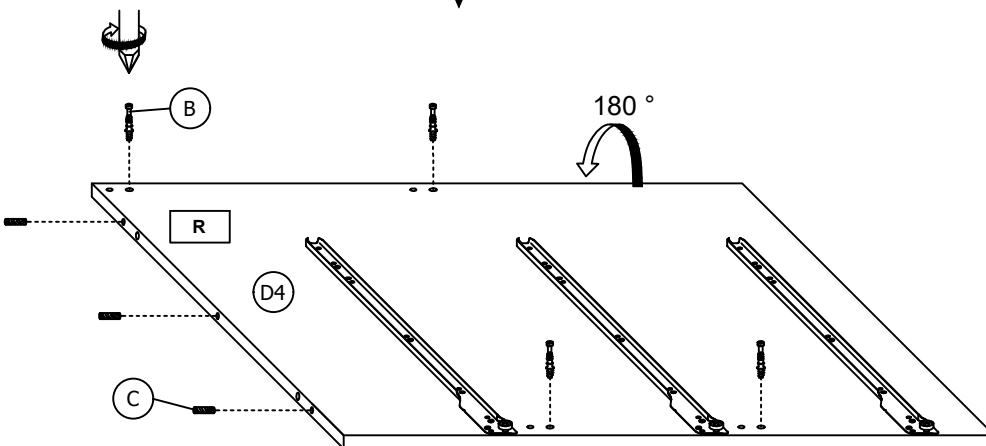
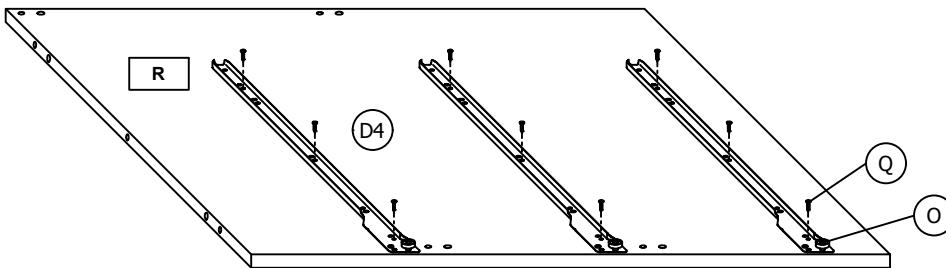
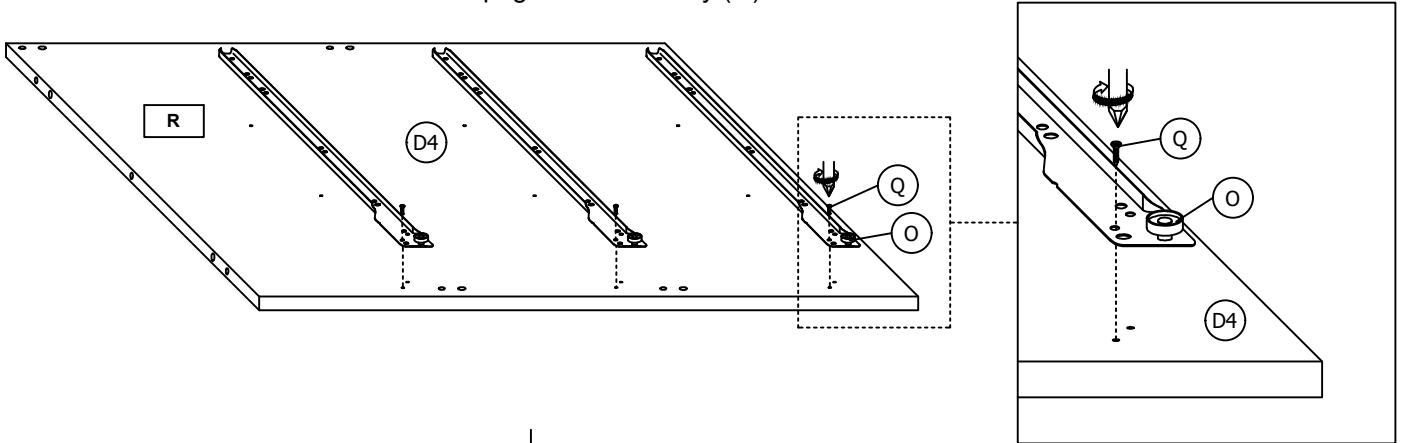


80062-011/012 DR ASSEMBLY INSTRUCTION

STEP 3

Fix the remaining 3 pieces (O) to the right side of (D4) by using 12 pieces (Q). Then insert 3 pieces (C) and 4 pieces (B) as shown.

Attention : Follow the instructions in page 8 to assembly (O).

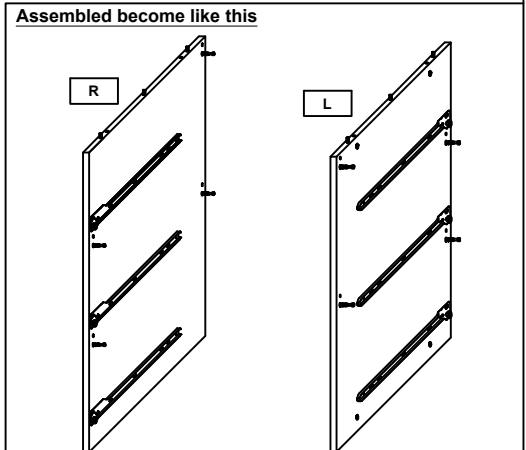
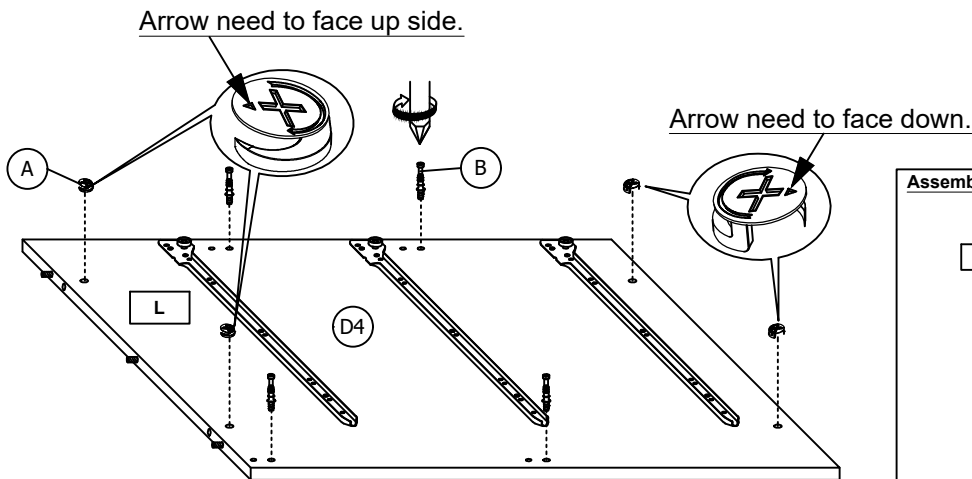
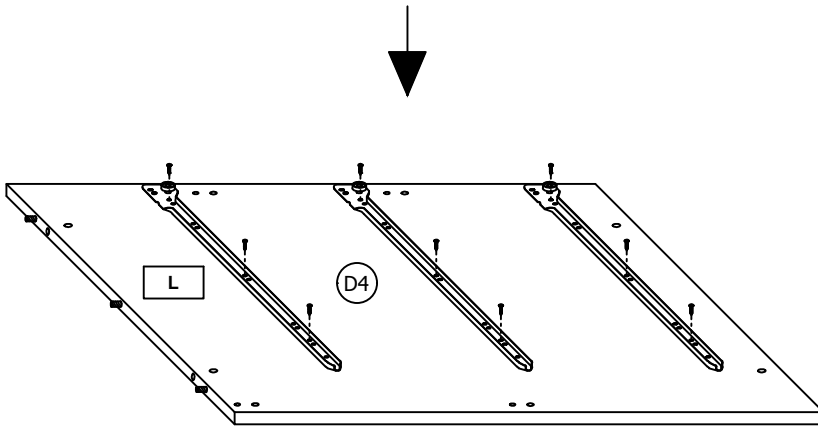
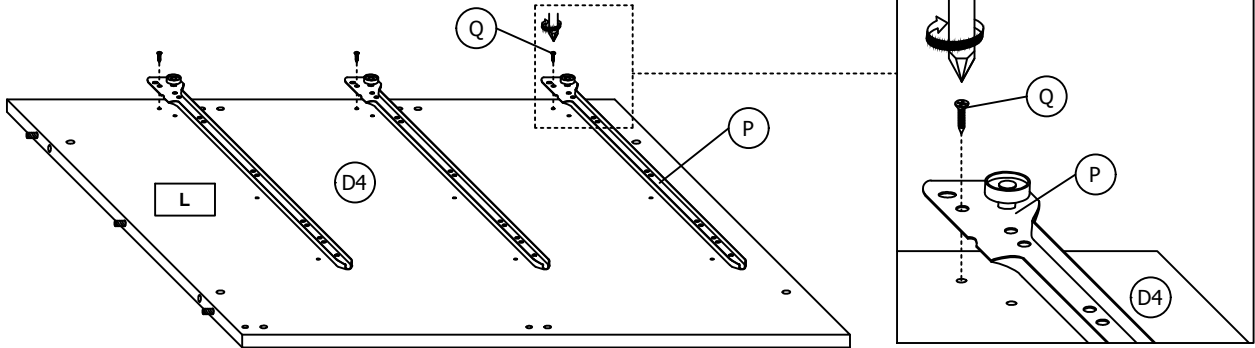


80062-011/012 DR ASSEMBLY INSTRUCTION

STEP 4

Fix the remaining 3 pieces (P) to the left side of (D4) by using 12 pieces (Q). Then insert 4 pieces (A),(B) as shown.

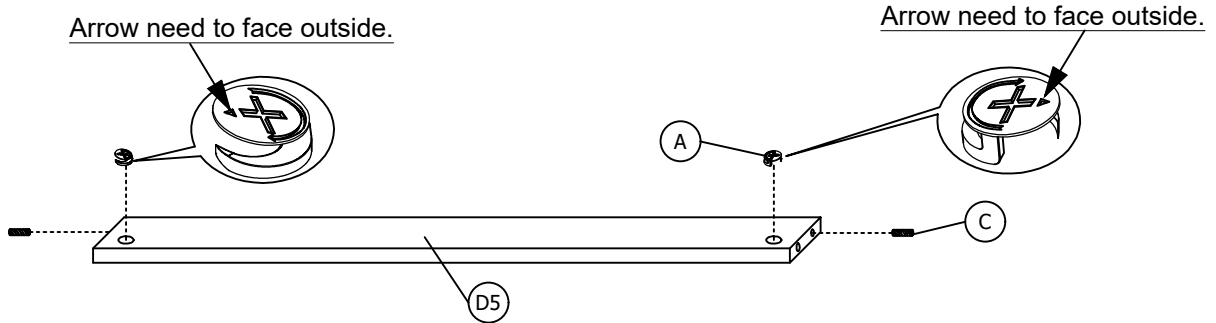
Attention : Follow the instructions in page 8 to assembly (P).



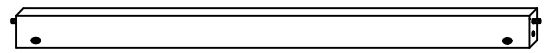
80062-011/012 DR ASSEMBLY INSTRUCTION

STEP 5

Insert 2 pieces (A) and 2 pieces (C) to (D5) as shown. This step needs to be **done four times**.

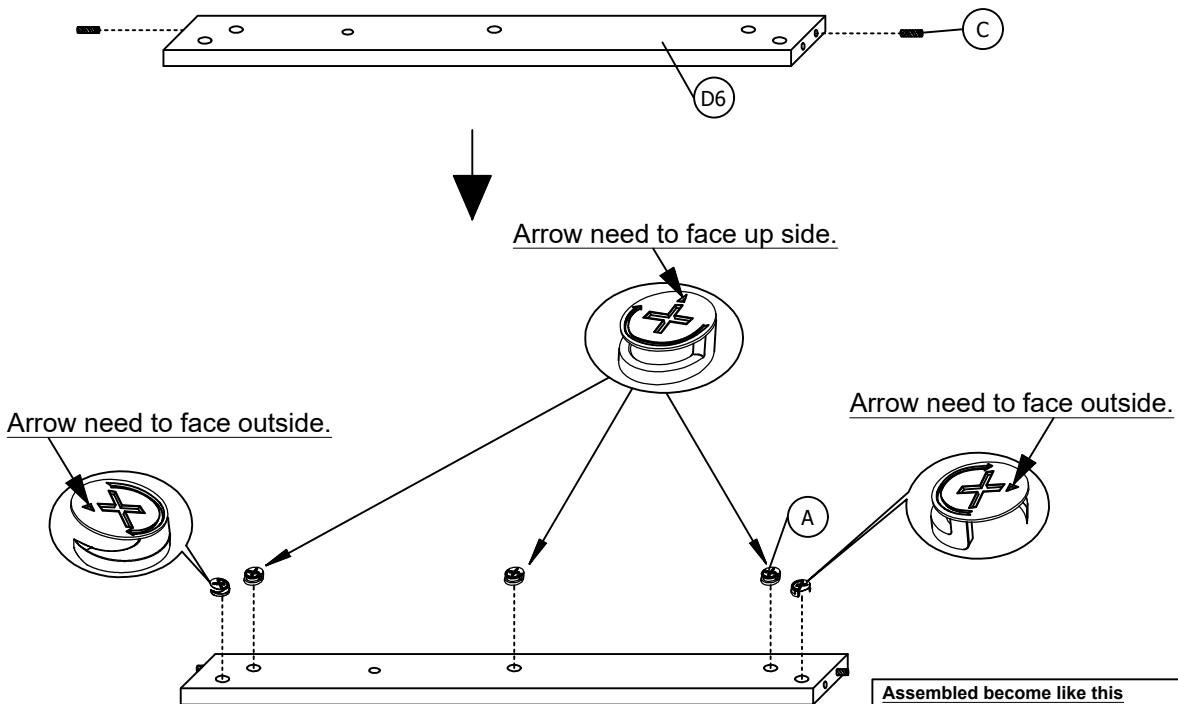


Assembled become like this

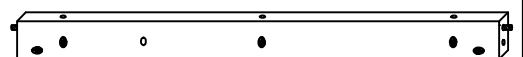


STEP 6

Insert 5 pieces (A) and 2 pieces (C) to (D6) as shown.



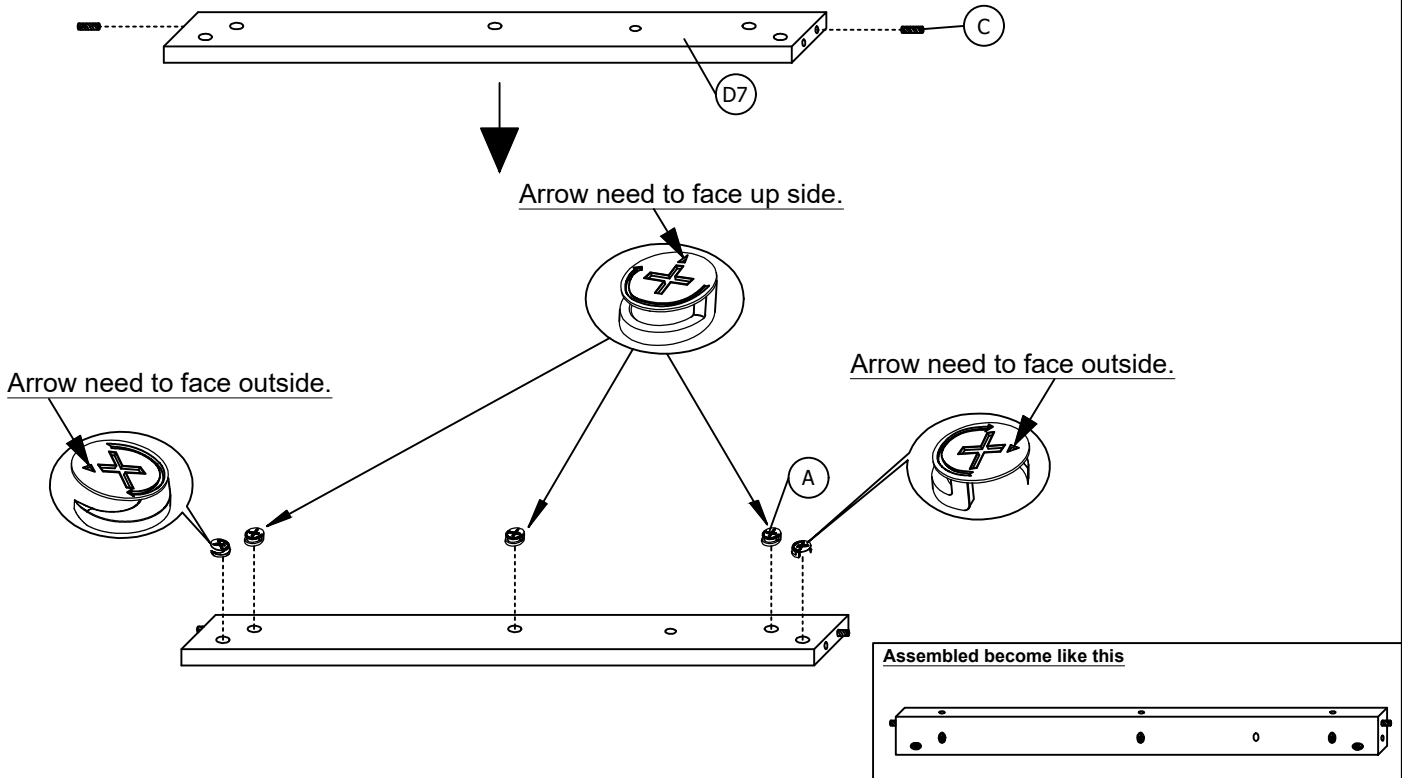
Assembled become like this



80062-011/012 DR ASSEMBLY INSTRUCTION

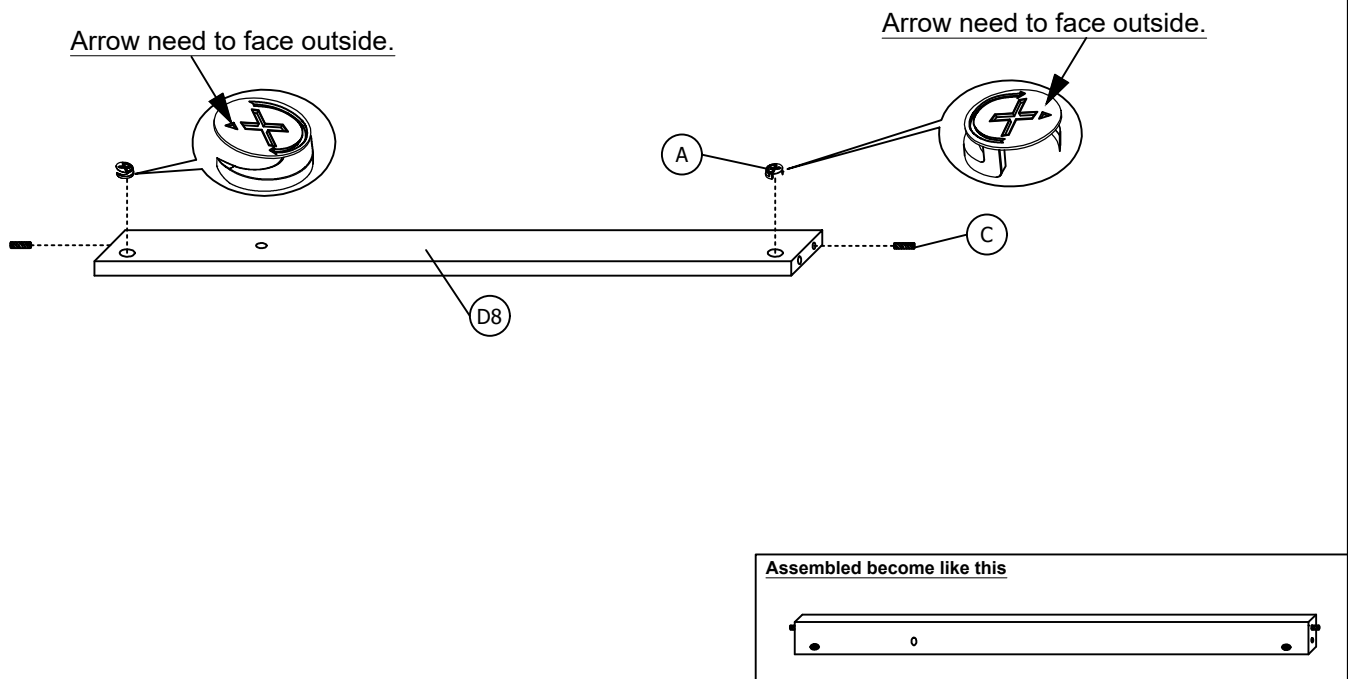
STEP 7

Insert 5 pieces (A) and 2 pieces (C) to (D7) as shown.



STEP 8

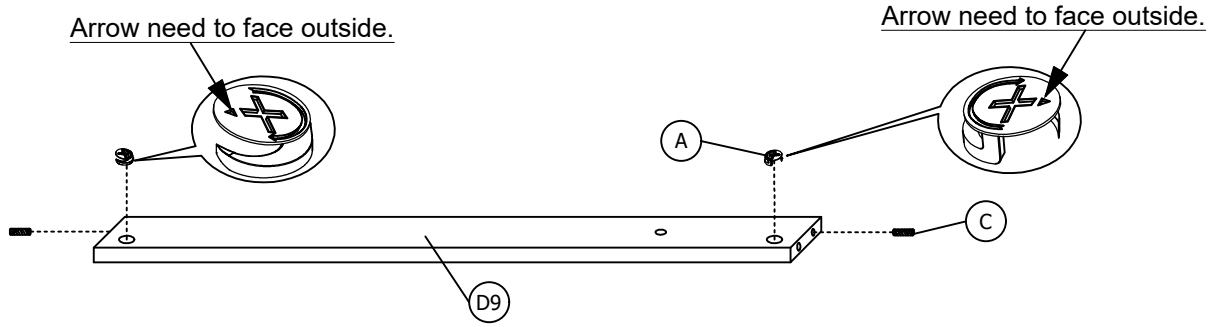
Insert 2 pieces (A) and 2 pieces (C) to (D8) as shown.



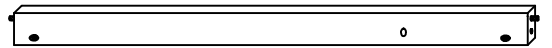
80062-011/012 DR ASSEMBLY INSTRUCTION

STEP 9

Insert 2 pieces (A) and 2 pieces (C) to (D9) as shown.

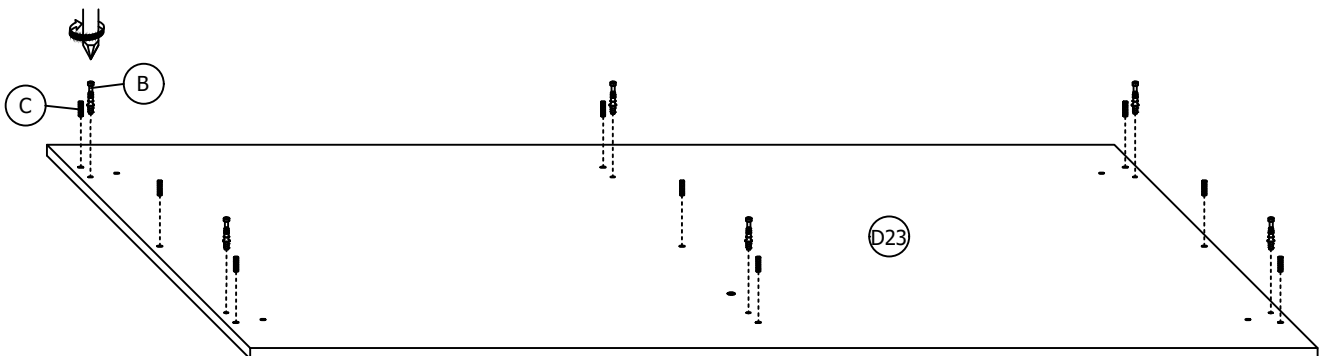


Assembled become like this

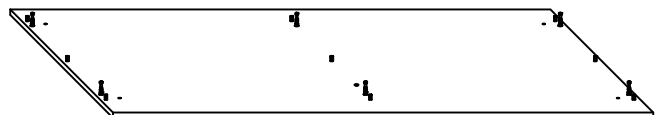


STEP 10

Insert 6 pieces (B) and 9 pieces (C) to the (D23) as shown.



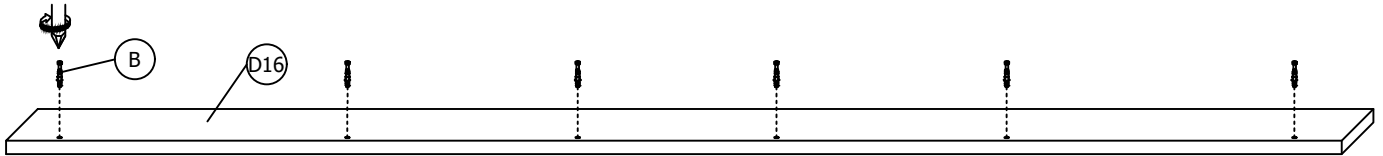
Assembled become like this



80062-011/012 DR ASSEMBLY INSTRUCTION

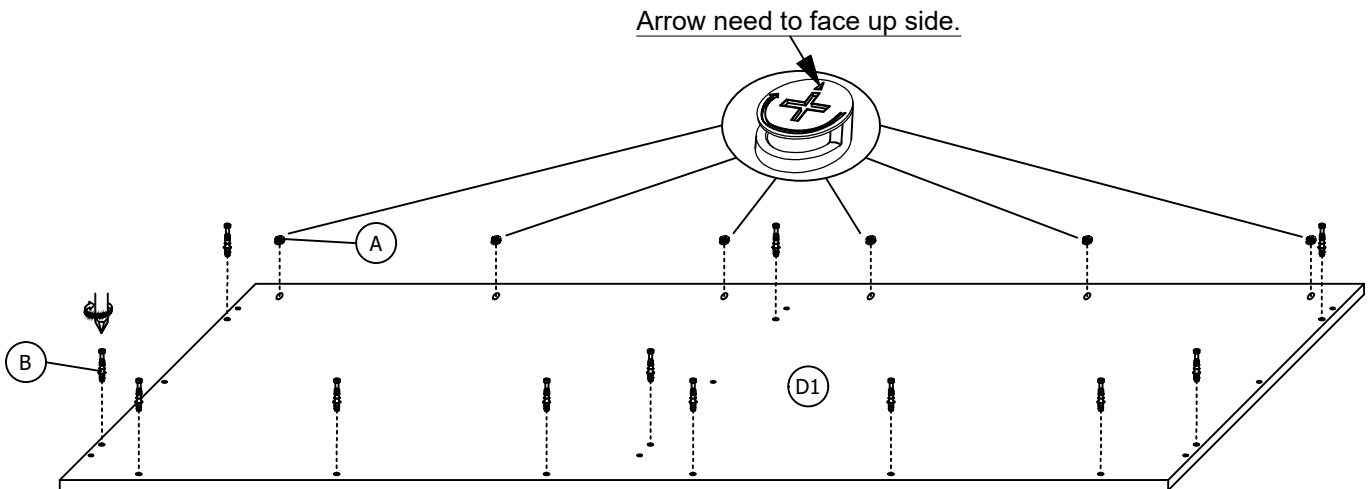
STEP 11

Insert 6 pieces (B) to the (D16) as shown.



STEP 12

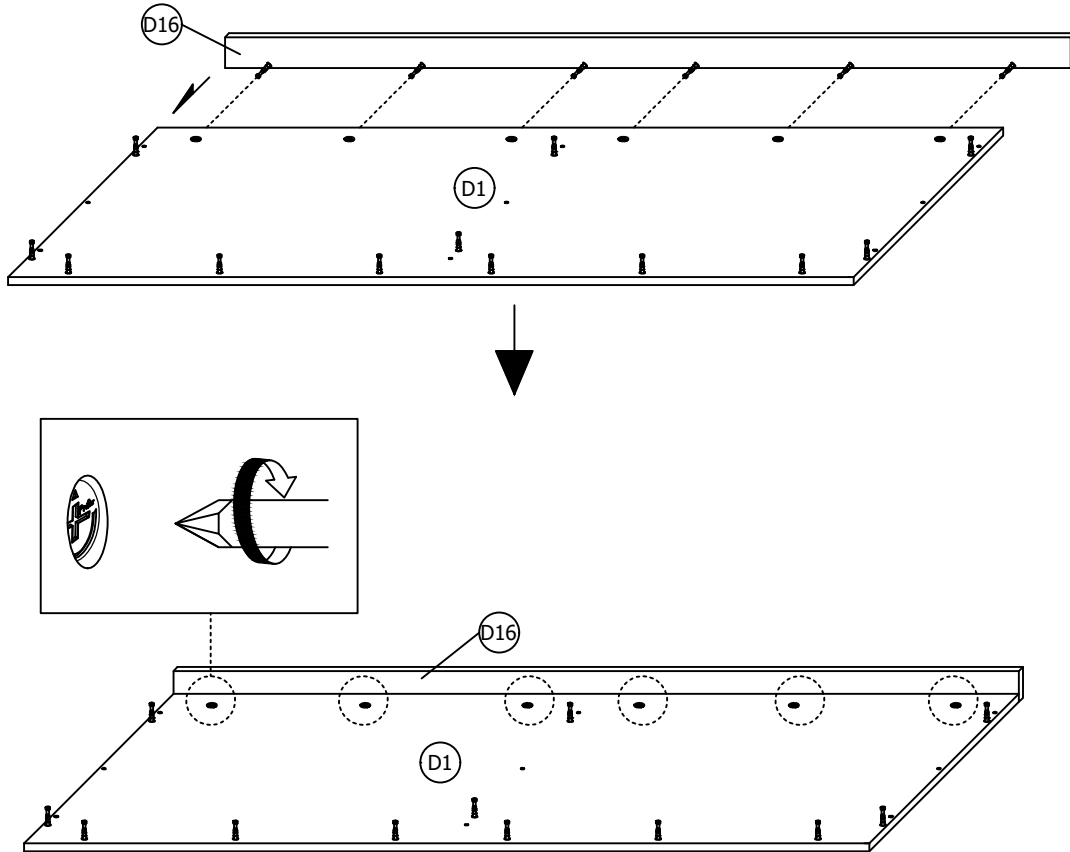
Insert 6 pieces (A) and 12 pieces (B) to the (D1) as shown.



80062-011/012 DR ASSEMBLY INSTRUCTION

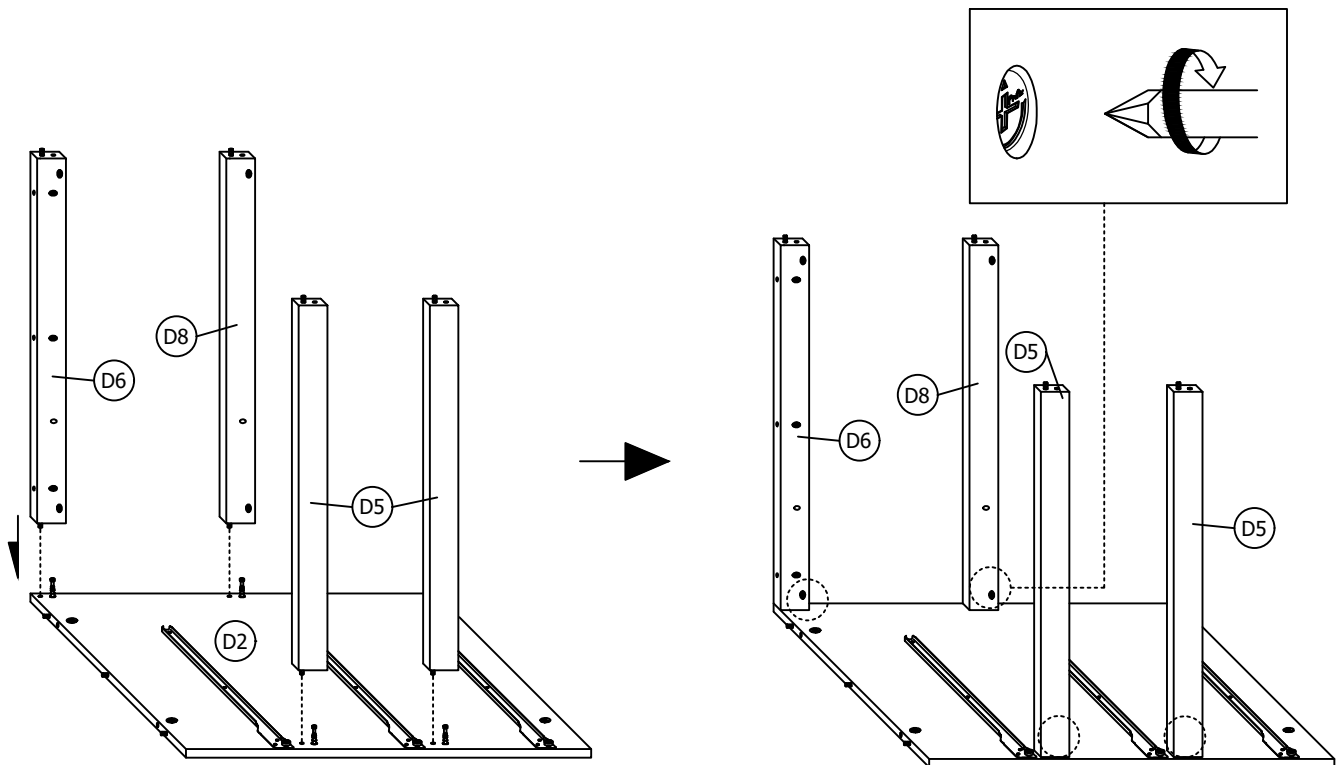
STEP 13

Combine the (D1) and (D16) then tighten the 6 pieces (A)-(pre insert in previous step) as shown.



STEP 14

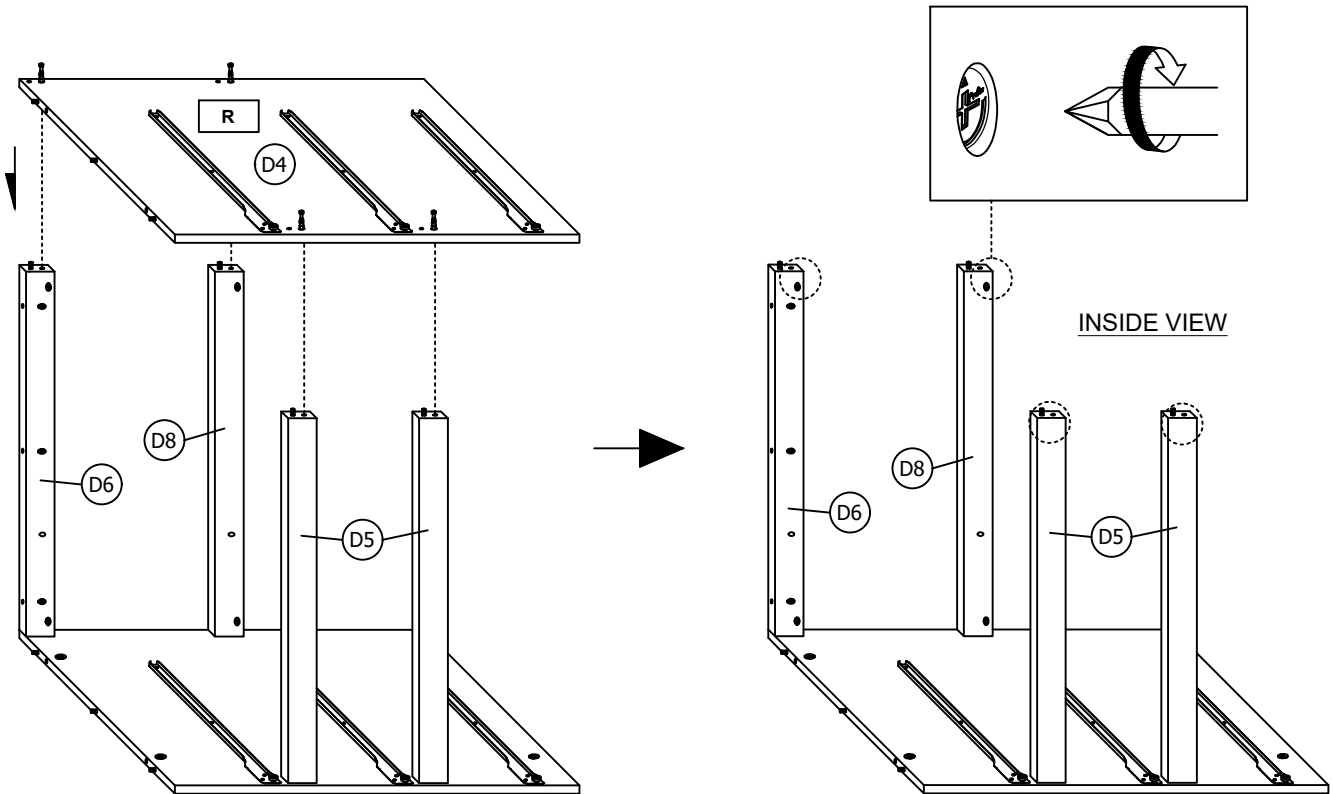
Combine 2 pieces (D5),(D6) and the (D8) to the (D2) then tighten the 4 pieces (A)-(pre insert in step 5,6 and 8) as shown.



80062-011/012 DR ASSEMBLY INSTRUCTION

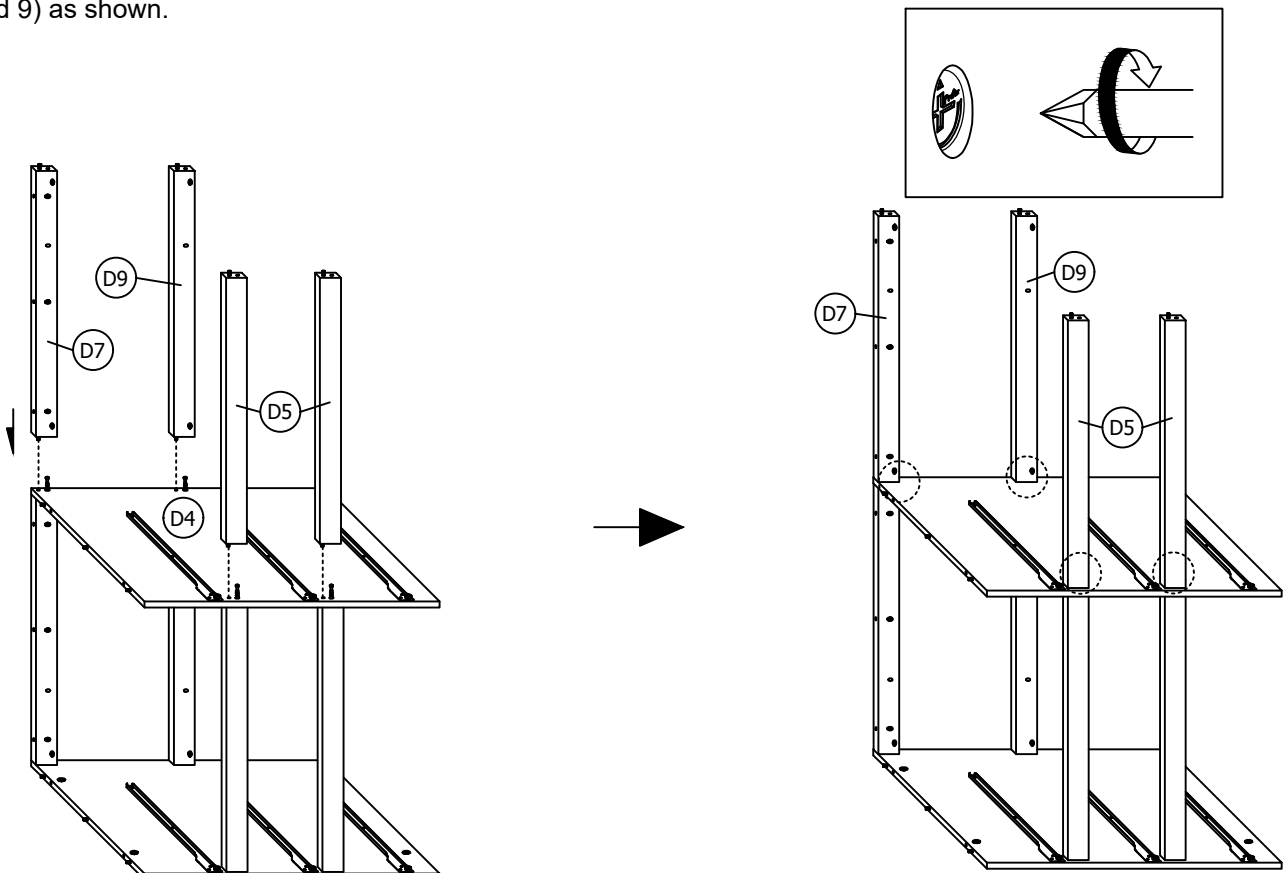
STEP 15

Combine the (D4) to the (D5),(D6) and (D8) then tighten the another 4 pieces (A)-(pre insert in step 5,6 and 8) as shown.



STEP 16

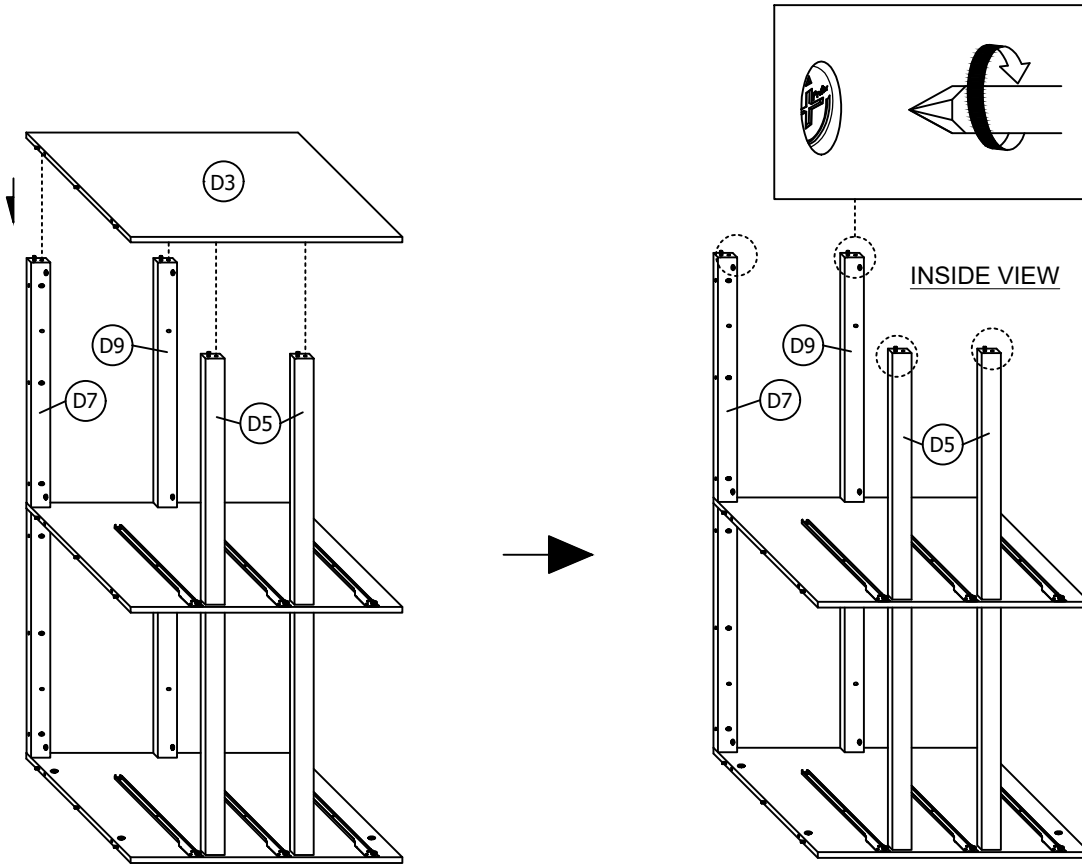
Combine the remaining 2 pieces (D5),(D7) and the (D9) to the (D4) then tighten the 4 pieces (A)-(pre insert in step 5,7 and 9) as shown.



80062-011/012 DR ASSEMBLY INSTRUCTION

STEP 17

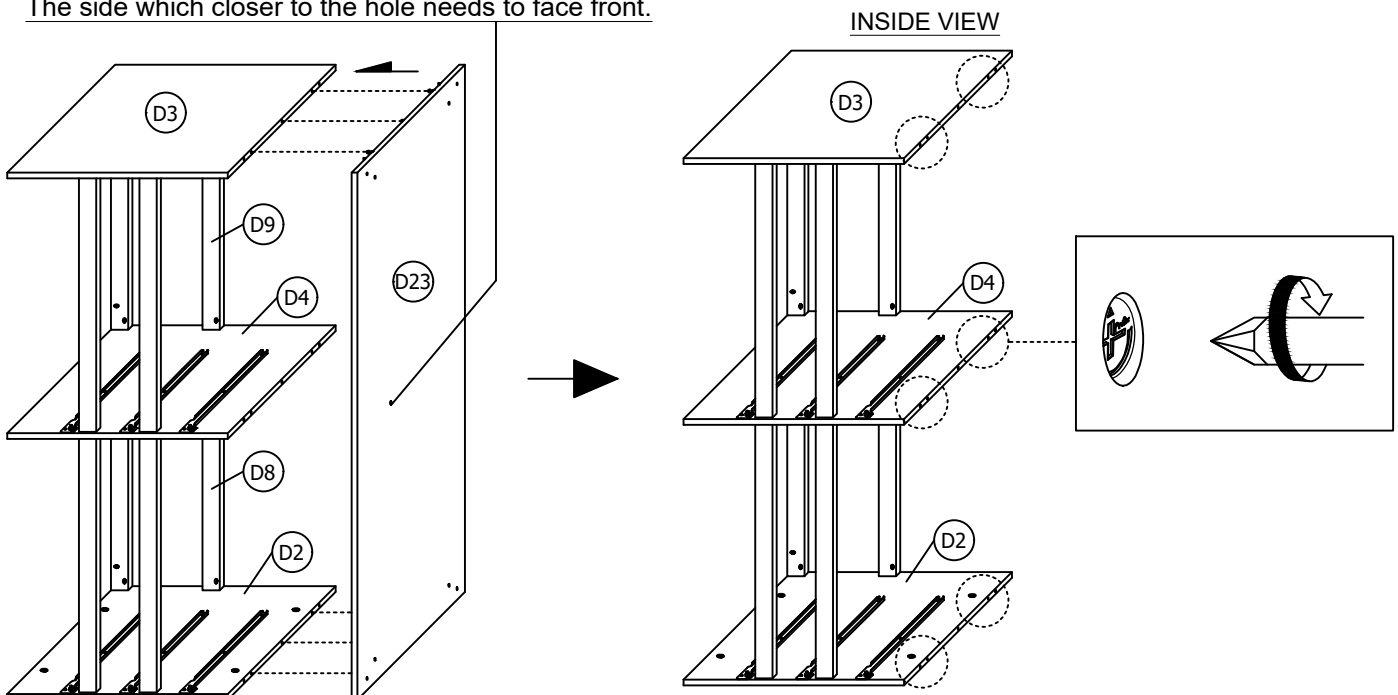
Combine the (D3) to the (D5),(D7) and (D9) then tighten the another 4 pieces (A)-(pre insert in step 5,7 and 9) as shown.



STEP 18

Combine the (D23) to the (D2),(D3) and (D4) then tighten the 6 pieces (A)-(pre insert in step 1,2 and 4) as shown.

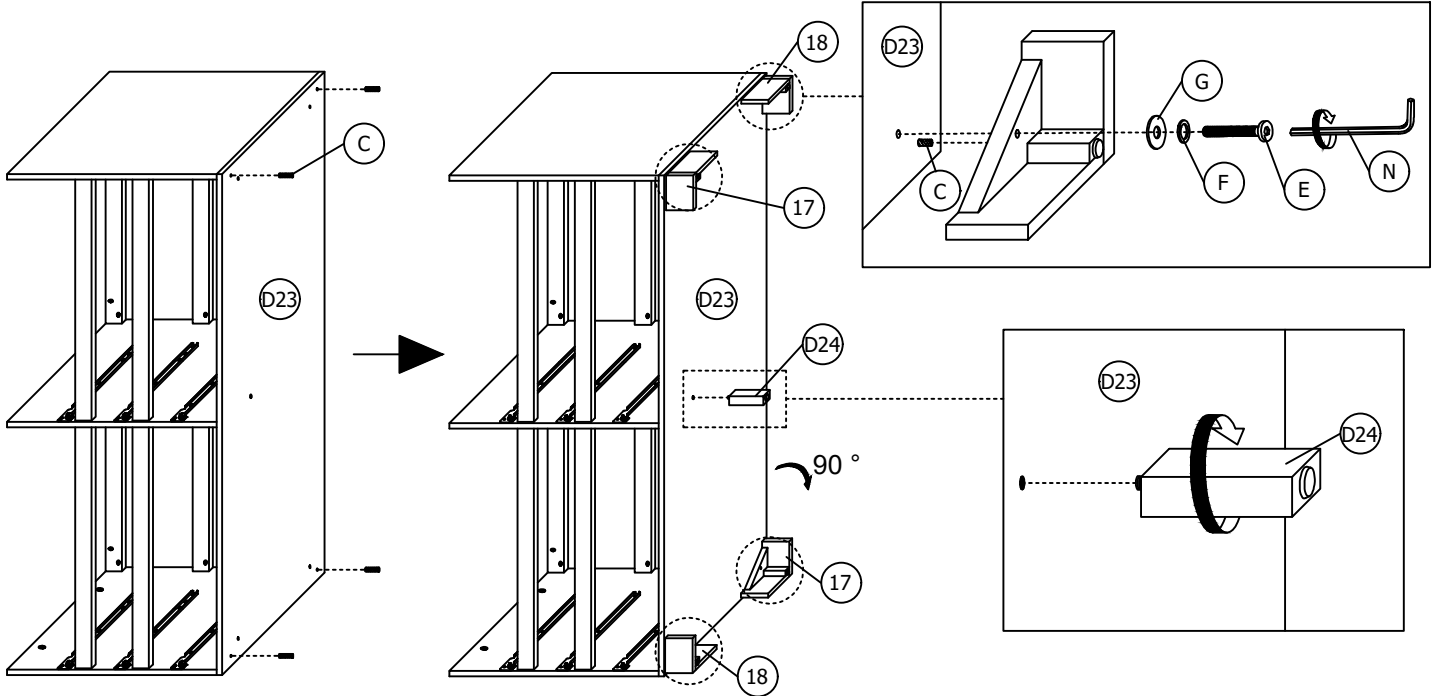
The side which closer to the hole needs to face front.



80062-011/012 DR ASSEMBLY INSTRUCTION

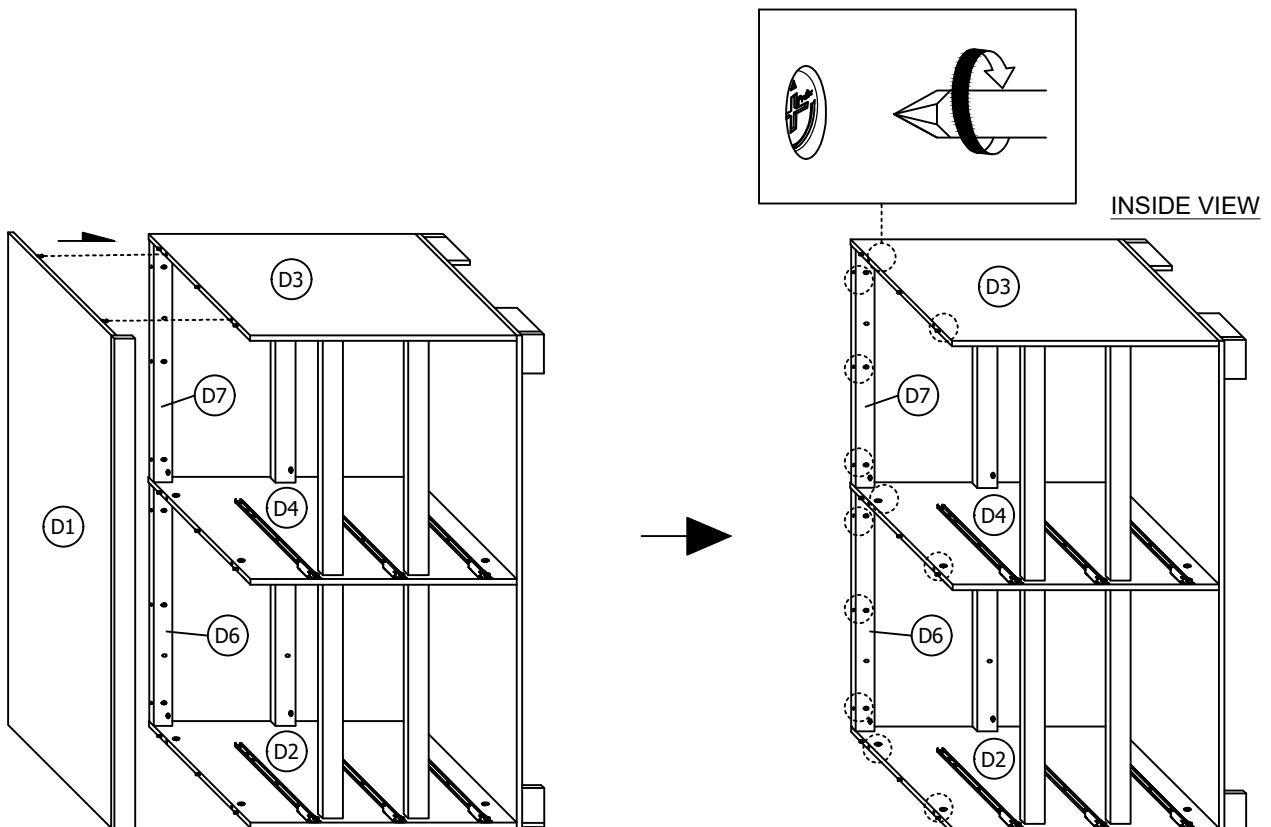
STEP 19

Insert the 4 pieces (C),(E),(F) and (G) to combine the (17) and (18) to the (D23) , then turn (D24) clockwise to combine it to the (D23) as shown.



STEP 20

Combine the (D1) to the frame then tighten the remaining 12 pieces (A)-(pre insert in step 1,2,4,6 and 7) as shown.

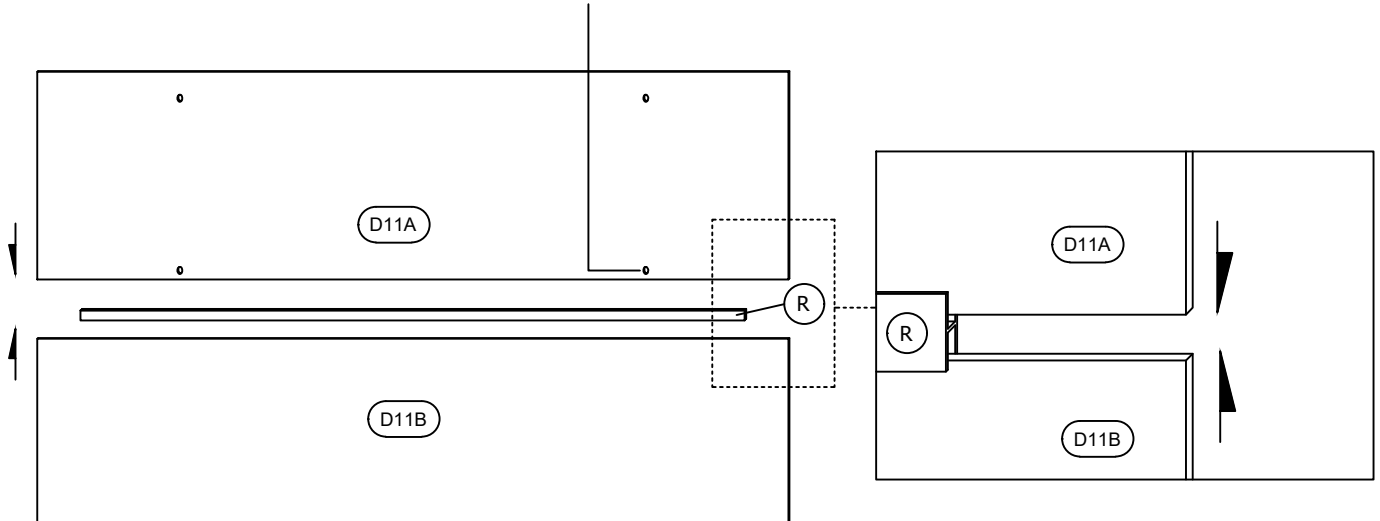


80062-011/012 DR ASSEMBLY INSTRUCTION

STEP 21

Put the (D11A) and (D11B) to the gap of (R) as shown. Direction of the side with colored paper must be the same.

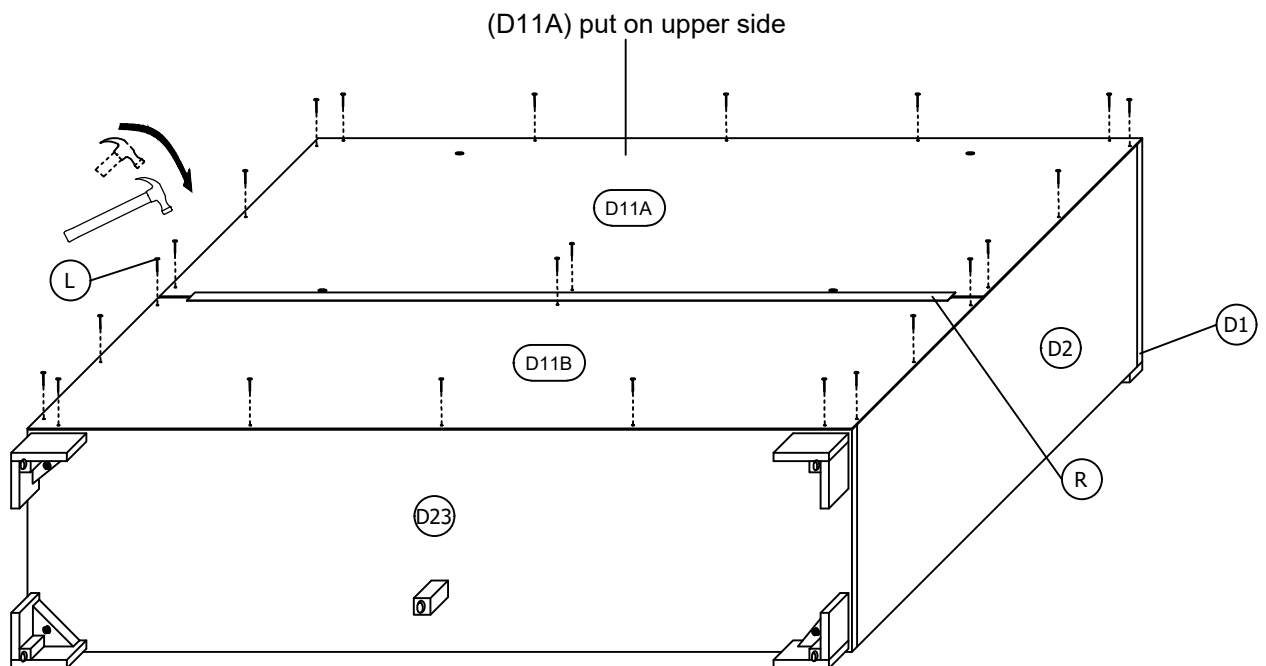
This side closer to the hole needs to face inside



STEP 22

Insert the 24 pieces (L) to fix the (D11A) and (D11B) as shown. Colored paper face to outside.

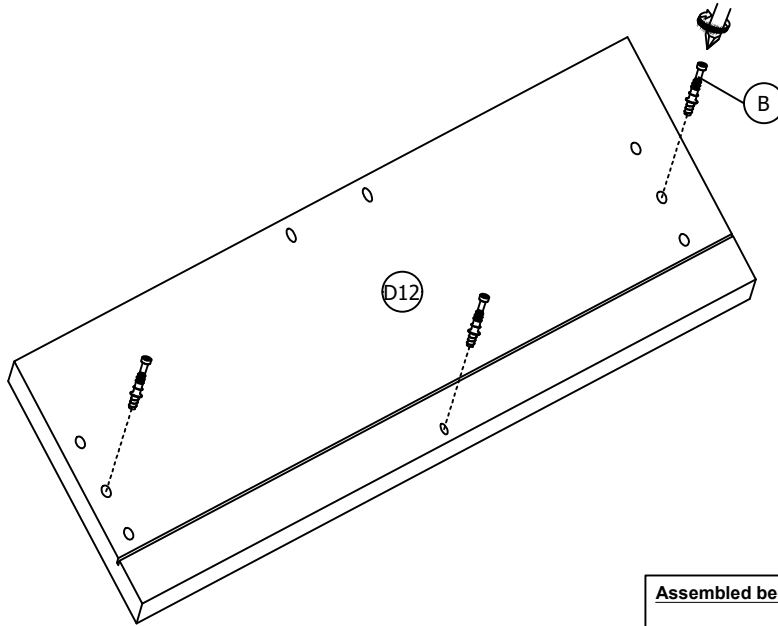
To prevent blocking (D2) and (D3), make sure the (R) at the middle of (D11A) and (D11B), do not over left or right.



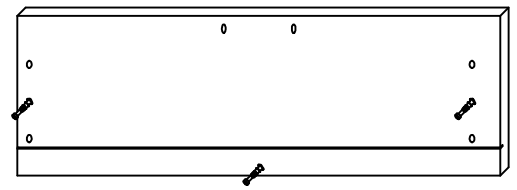
80062-011/012 DR ASSEMBLY INSTRUCTION

STEP 23

Insert 3 pieces (B) to the (D12) as shown. This step needs to be **done three times**.

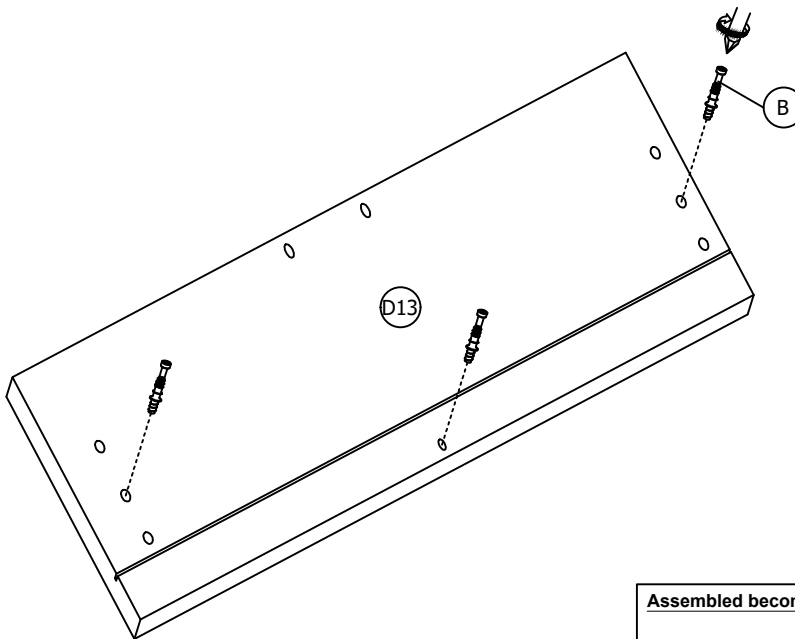


Assembled become like this

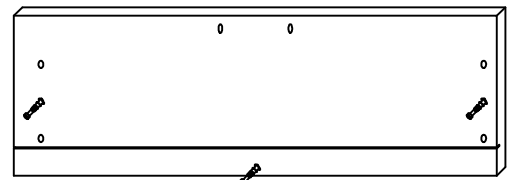


STEP 24

Insert 3 pieces (B) to the (D13) as shown. This step needs to be **done three times**.



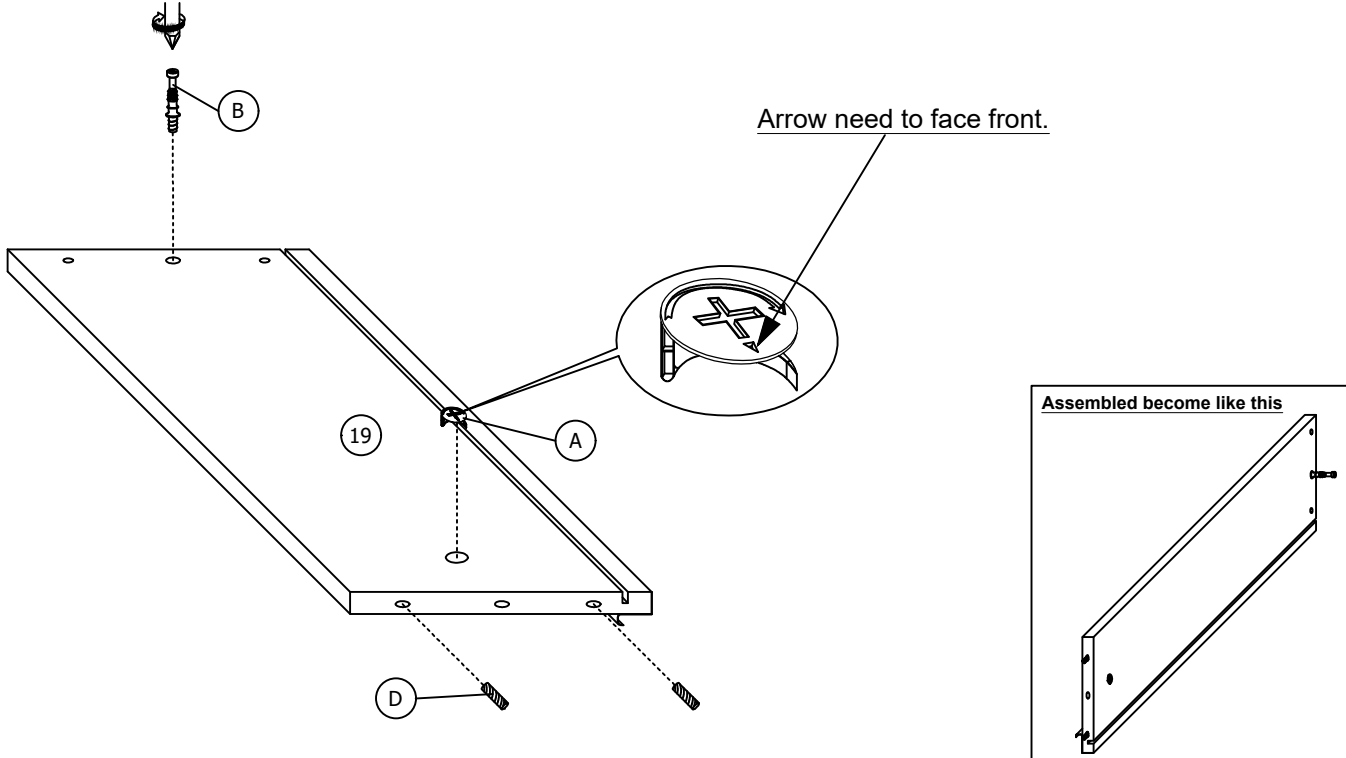
Assembled become like this



80062-011/012 DR ASSEMBLY INSTRUCTION

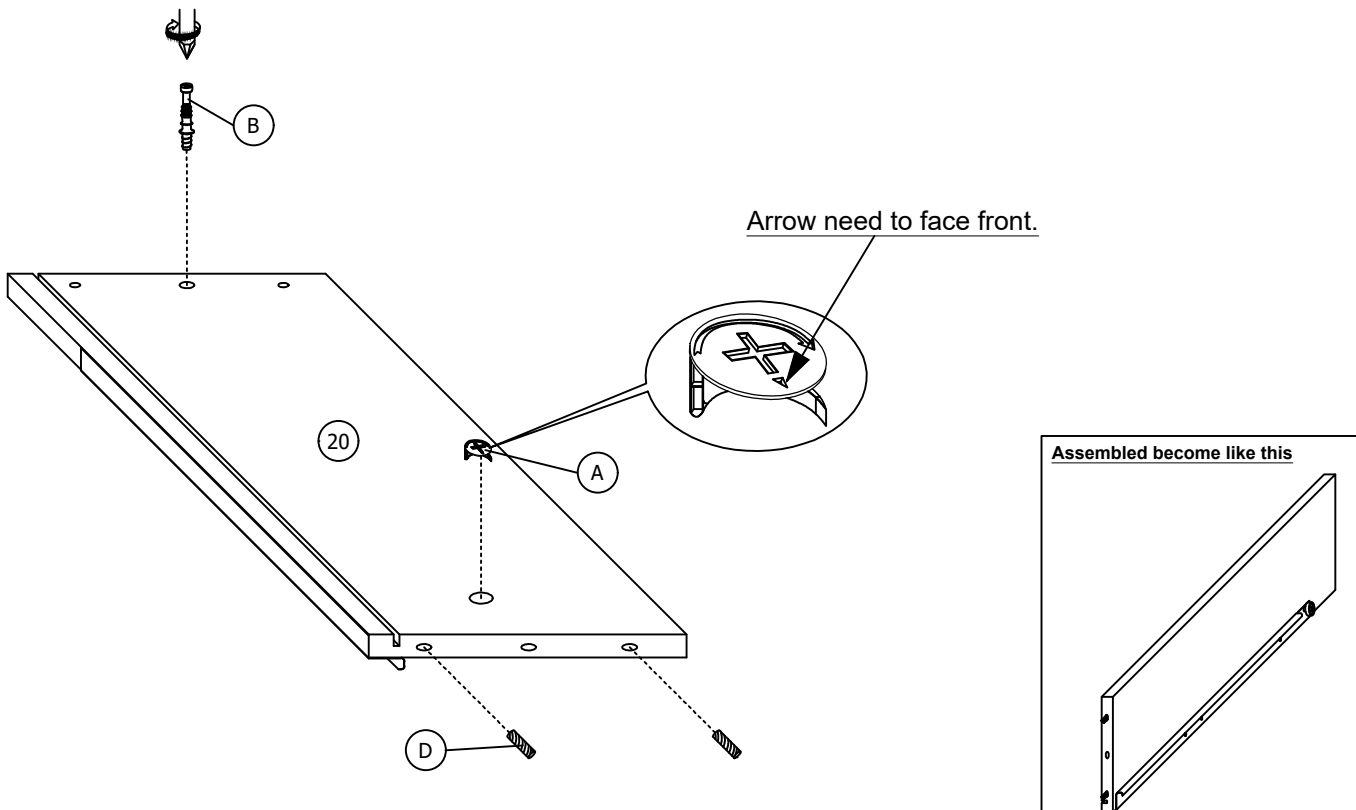
STEP 25

Insert 1 piece (A),(B) and 2 pieces (D) to (19) as shown. This step needs to be **done six times**.



STEP 26

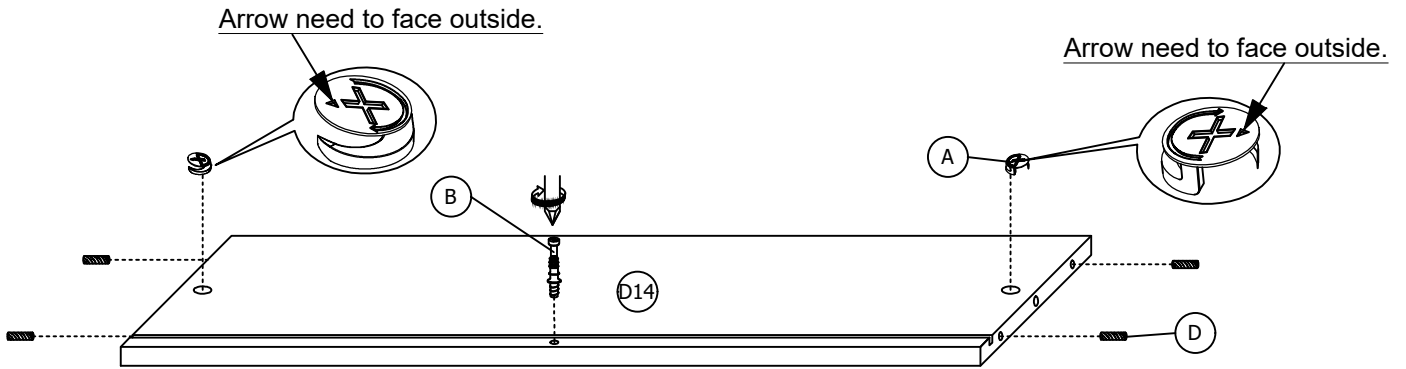
Insert 1 piece (A),(B) and 2 pieces (D) to (20) as shown. This step needs to be **done six times**.



80062-011/012 DR ASSEMBLY INSTRUCTION

STEP 27

Insert 2 pieces (A) , 1 piece (B) and 4 pieces (D) to (D14) as shown. This step needs to be **done six times**.

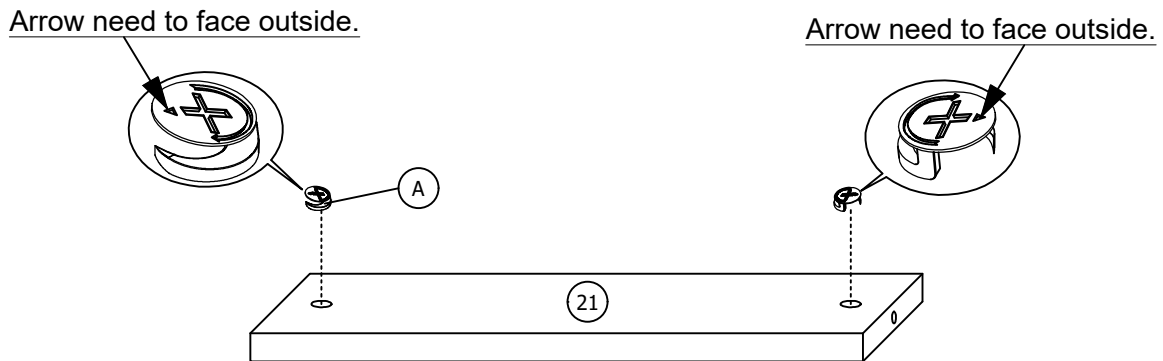


Assembled become like this

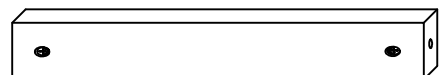


STEP 28

Insert 2 pieces (A) to (21) as shown. This step needs to be **done six times**.



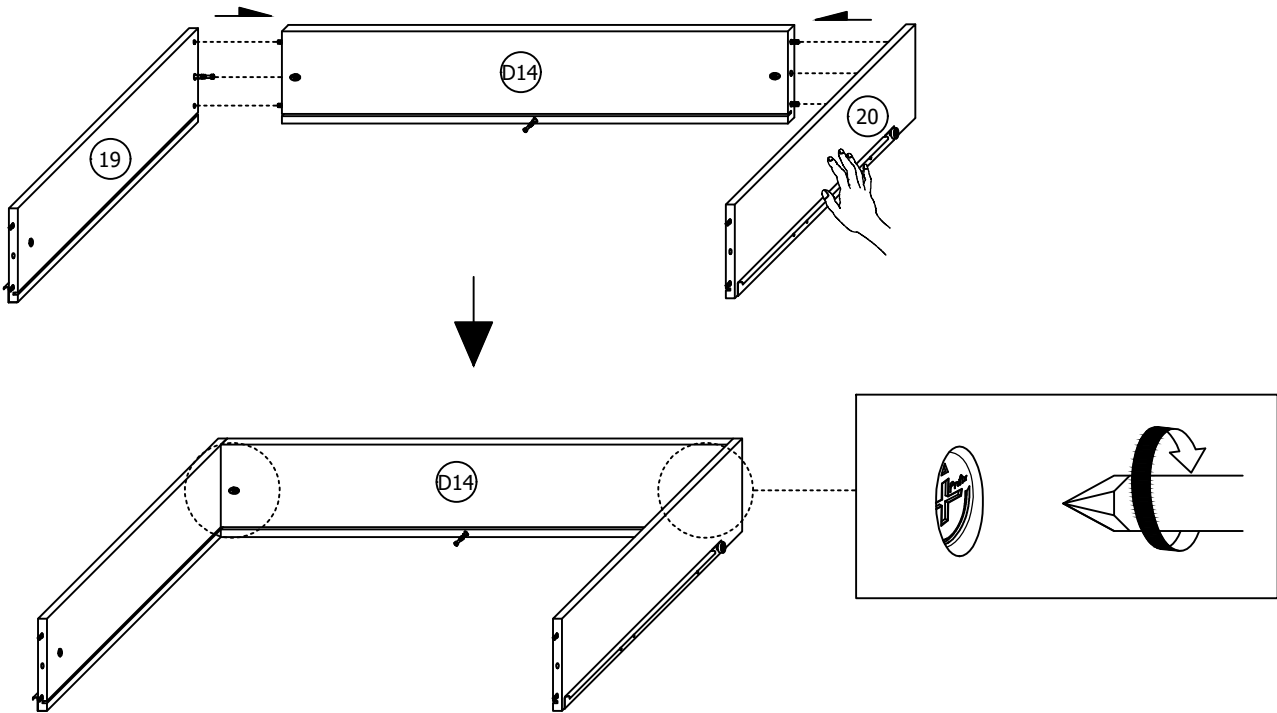
Assembled become like this



80062-011/012 DR ASSEMBLY INSTRUCTION

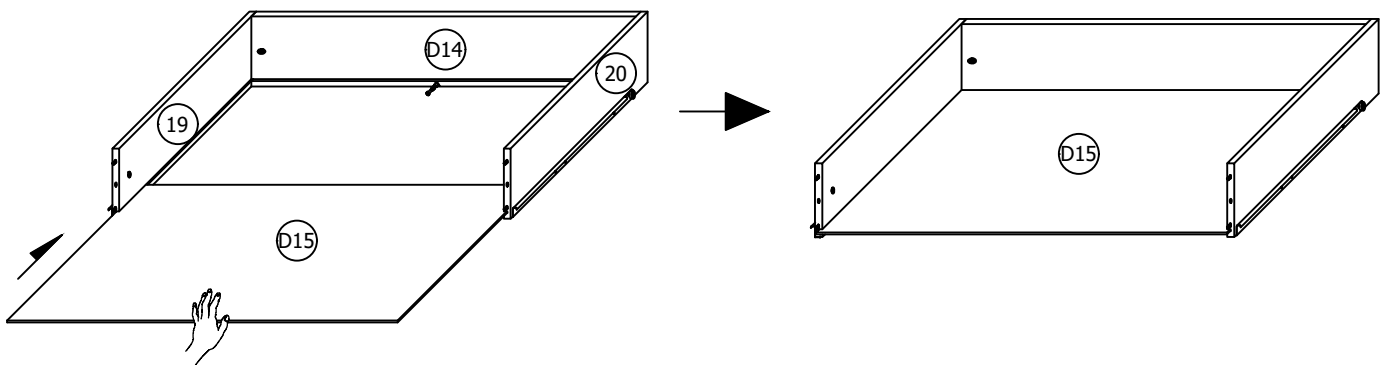
STEP 29

Combine (19) and (20) to (D14) then tighten the 2 pieces (A)-(pre-insert in step 27) as shown. This step needs to be **done six times**.



STEP 30

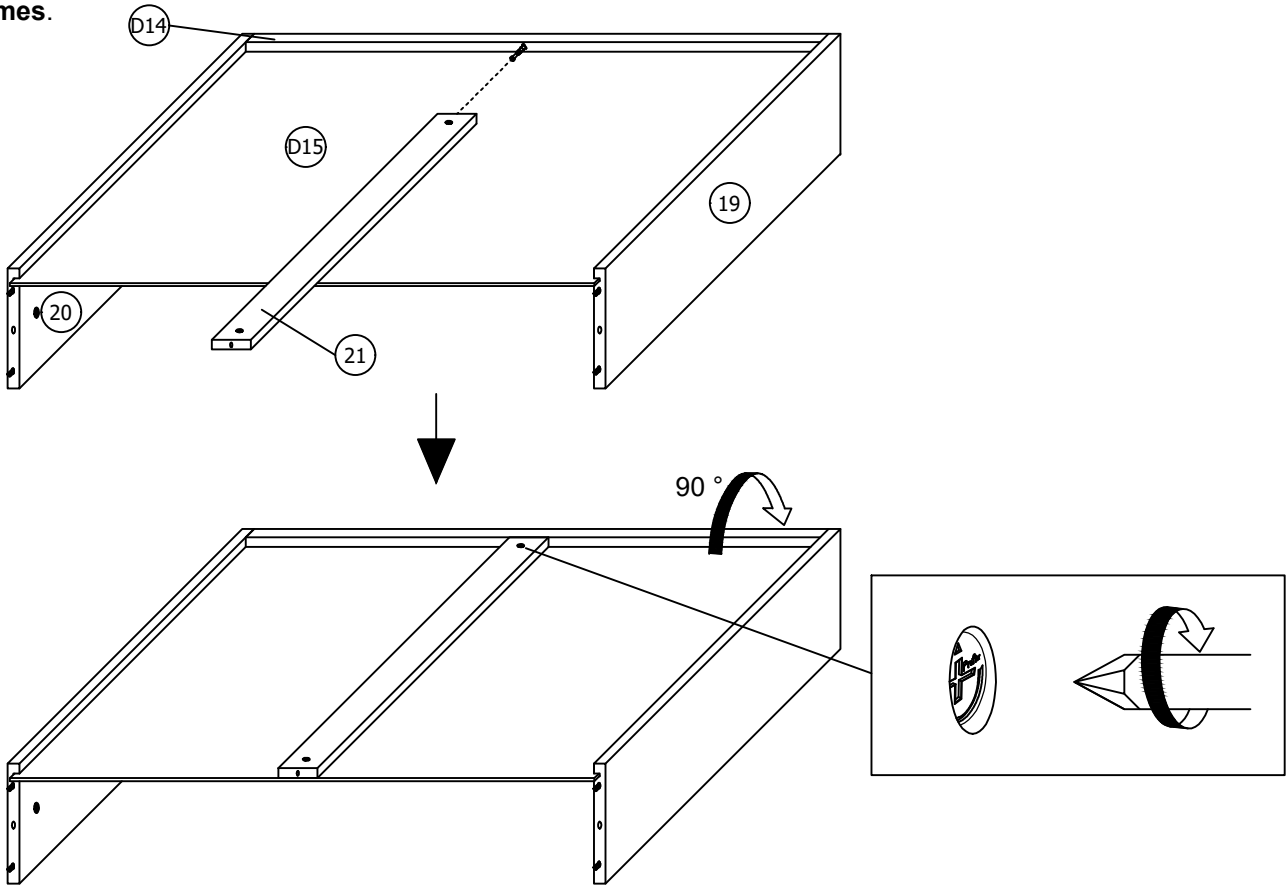
Put the (D15) into the gap of (19),(20) and (D14) as shown. This step needs to be **done six times**.



80062-011/012 DR ASSEMBLY INSTRUCTION

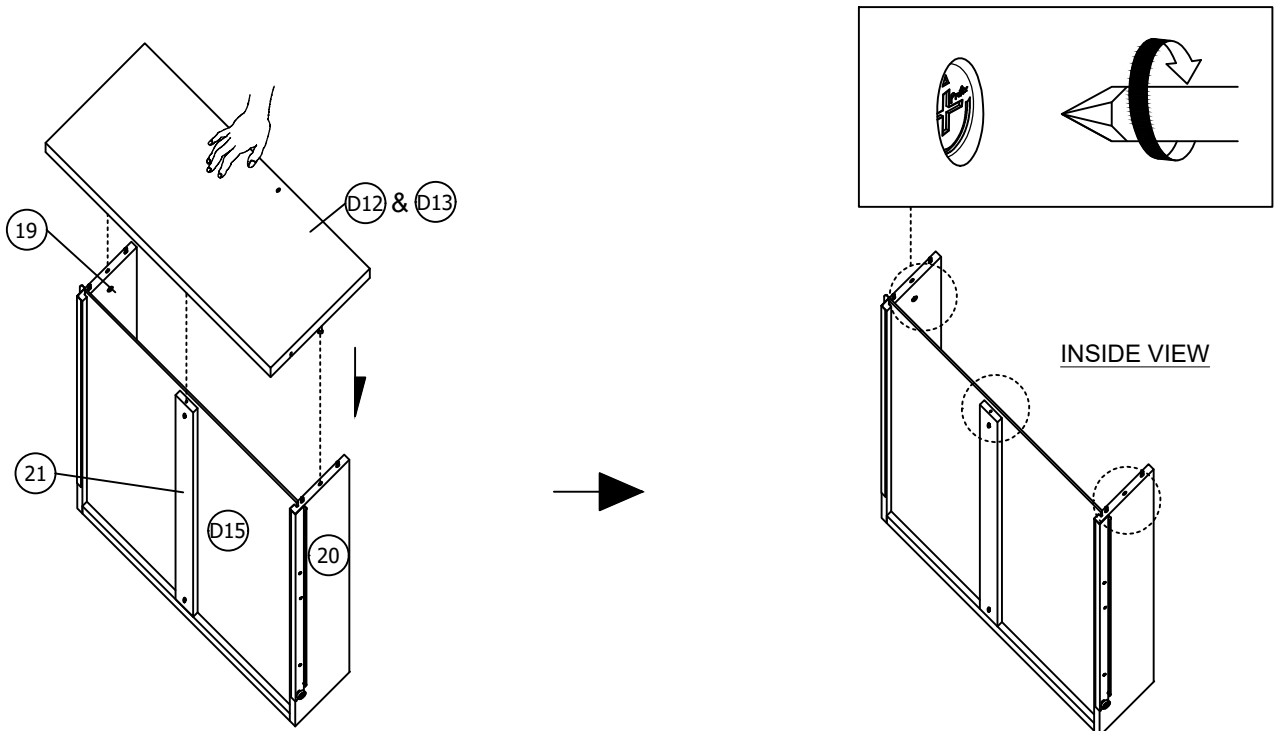
STEP 31

Combine the (21) to the (D14) then tighten the 1 piece (A)-(pre-insert in step 28) as shown. This step needs to be **done six times**.



STEP 32

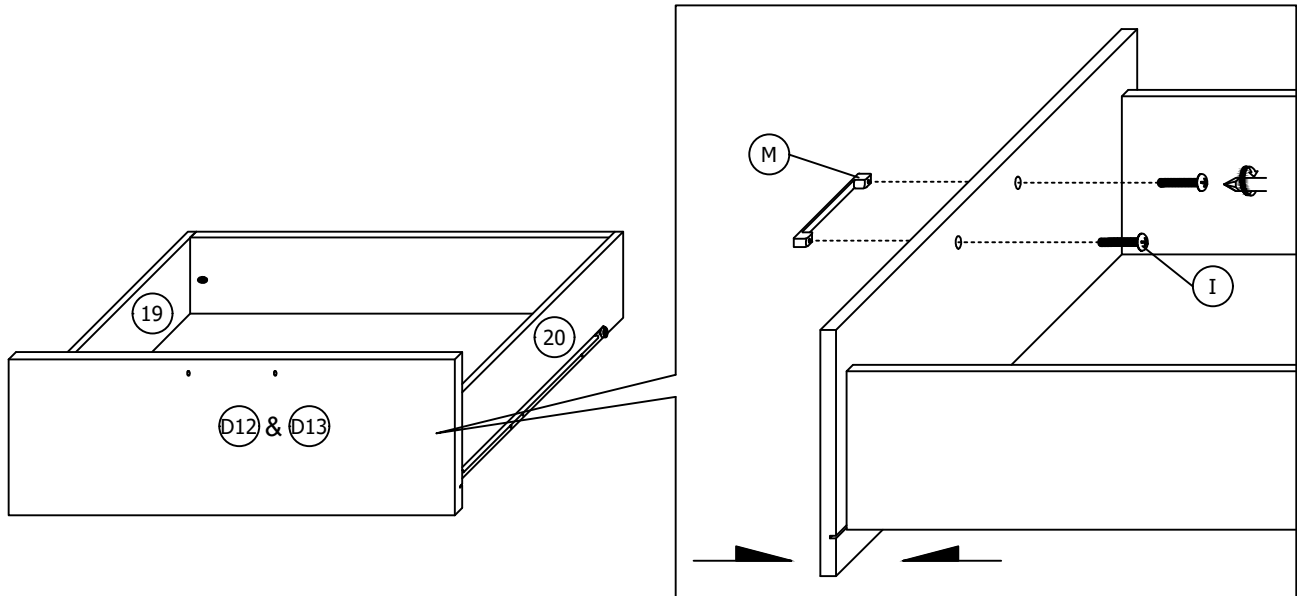
Combine the (D12) and (D13) to the drawer frame. Then tighten the 3 pieces (A)-(pre-insert in step 25,26 and 28) as shown. This step needs to be **done six times**.



80062-011/012 DR ASSEMBLY INSTRUCTION

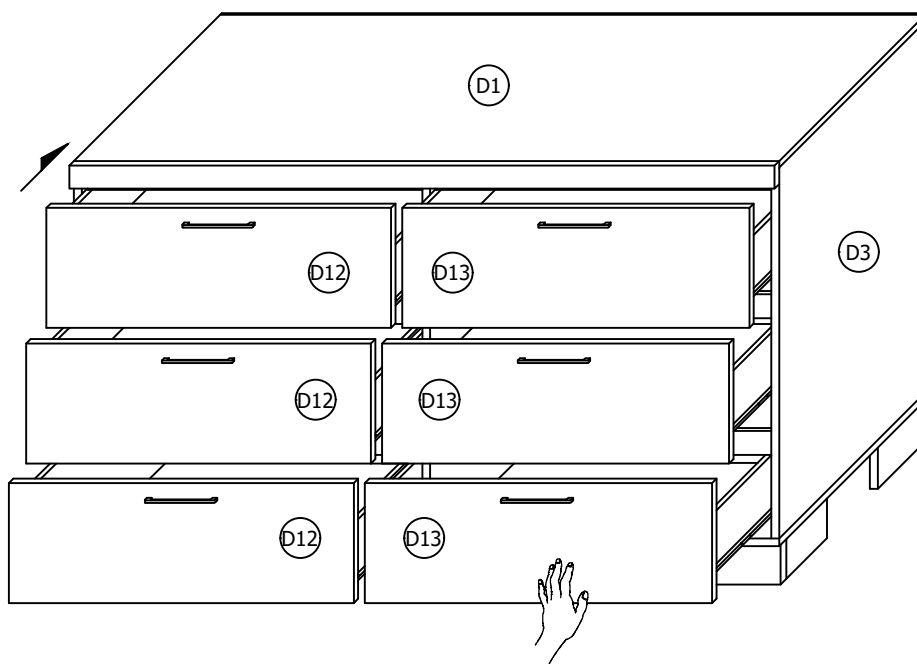
STEP 33

Insert 2 pieces (I) fix the (M) as shown. This step needs to be **done six times**.



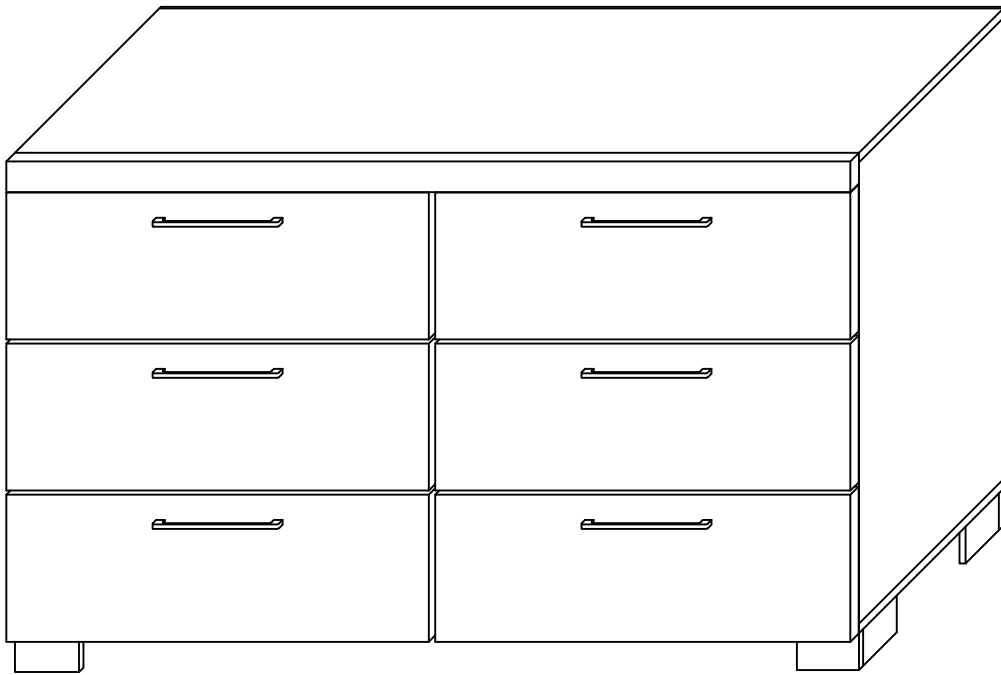
STEP 34

Align the position then push the 6 pieces drawer to inside exactly by your hand as shown.



80062-011/012 DR ASSEMBLY INSTRUCTION

STEP 35



ASSEMBLY COMPLETED

WALL STUD

SAFETY BRACKET INSTRUCTIONS

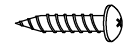
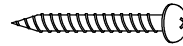
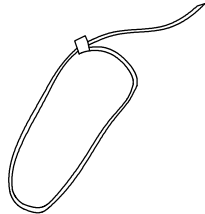
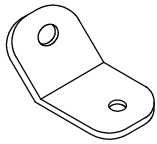
Part Enclosed :

A) Bracket

B) Safety Strap

C) 50mm Pan Head Screw

D) 17mm Pan Head Screw



2x

1x

1x

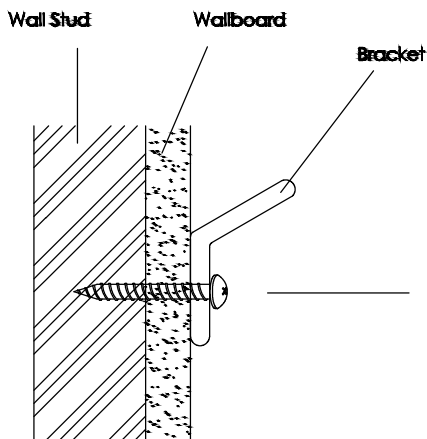
1x

IMPORTANT: Tipping can injure young children. Use of this safety hardware is highly recommended. This safety hardware, when properly installed, can provide furniture protection against unexpected accidental tipping of furniture due to improper use.

Step 1

Attach a bracket to the wall board with the 2" screw provided:

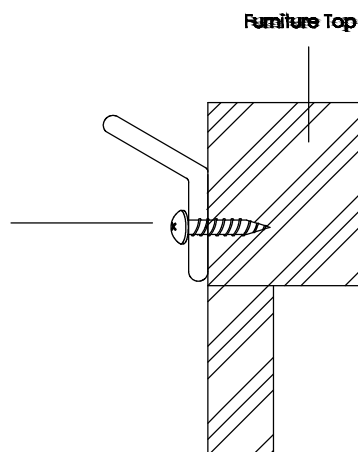
- . It is recommended that you locate a wall stud behind the furniture unit. If the wall stud is not used, a suitable "Hollow-Wall Anchor Bolt" (not provided) should be used in lieu of the wall stud.
- . Position the wall bracket on the stud about 1" below the top of furniture piece.
- . Mark the position for the bracket placement on the wall and drill a pilot hole into the stud.
- . Attach the bracket to the back of the furniture with the 2" screws provided.



Step 2

To attach a bracket to the Furniture Frame below to top with the short screws provided :

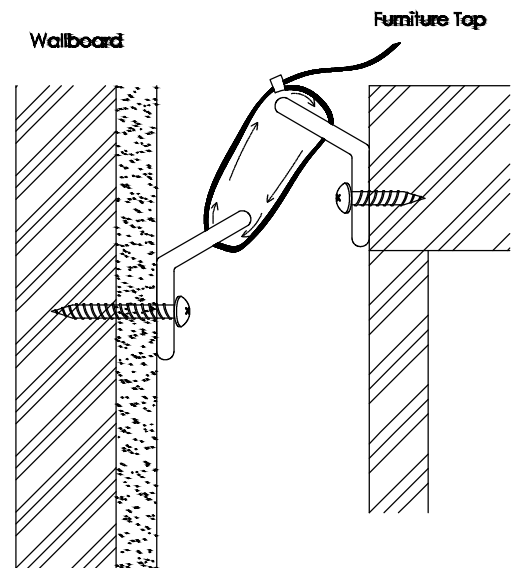
- . Move the furniture piece temporarily to its final position to the wall.
- . Mark the location of the bracket on the back of the furniture in relation to the previously mounted wall bracket.
- . Move the furniture piece away from the wall mounted bracket and place the other bracket on the mark position on the back of the furniture piece.
- . Drill a pilot hole as shown in the figure or into the back furniture frame.
- Caution:** Make sure you do not drill completely through the back of the furniture.
- . Attach the bracket to the back of the furniture with the 5/8" screws provided.



Step 3

To Attach the safety strap:

- . Move the furniture back to its final position.
- . Thread the safety strap through both of the mounted brackets as shown in the illustration.
- . Tighten the strap unit snug.
- . Do not over tighten.



IMPORTANT: Make sure the brackets are firmly attached to the wall stud and furniture frame and the safety strap is snug.

Warning: This product is not be a substitute for proper parental supervision which is the only proper deterrent to prevent improper use of this unit. The manufacturer assumes no liability for improper installation or excessive loads placed on the safety straps, bracket or mounting screws. This hardware will not insure against tipping.

Note: For taller or heavier pieces of furniture, two safety brackets may be installed.

This sticker was stucked at one of the DRAWER LEFT PANEL(19).

⚠ WARNING	
	Children have died from furniture tipover. To reduce the risk of furniture tipover: <ul style="list-style-type: none">• ALWAYS install tipover restraint provided.• NEVER put a TV on this product.• NEVER allow children to stand, climb or hang on drawers, doors, or shelves.• NEVER open more than one drawer at a time.• Place heaviest items in the lowest drawers. <p><i>This is a permanent label. Do not remove!</i></p>
	

Place the drawer which stucked a warning label in the top as shown.

