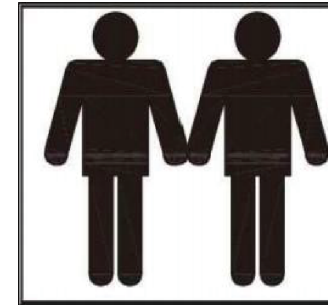
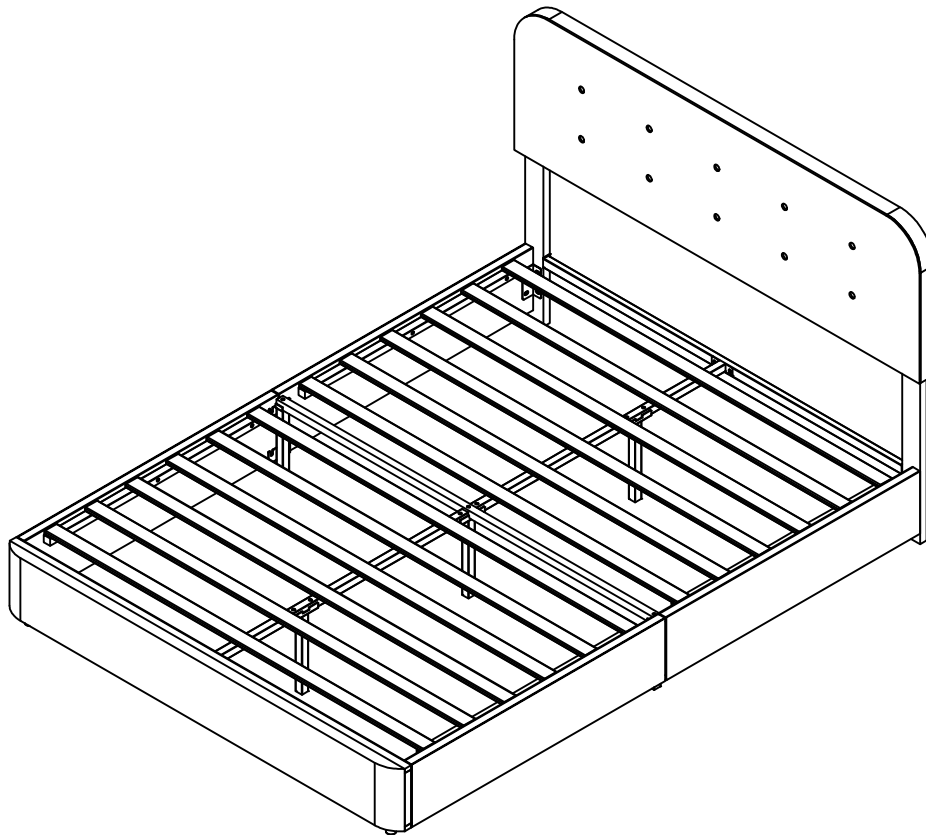


Assembly Instruction

Note:

1. Should be assembled on flat ground to keep balance.
2. Before completing the installation, do not tighten the screws.

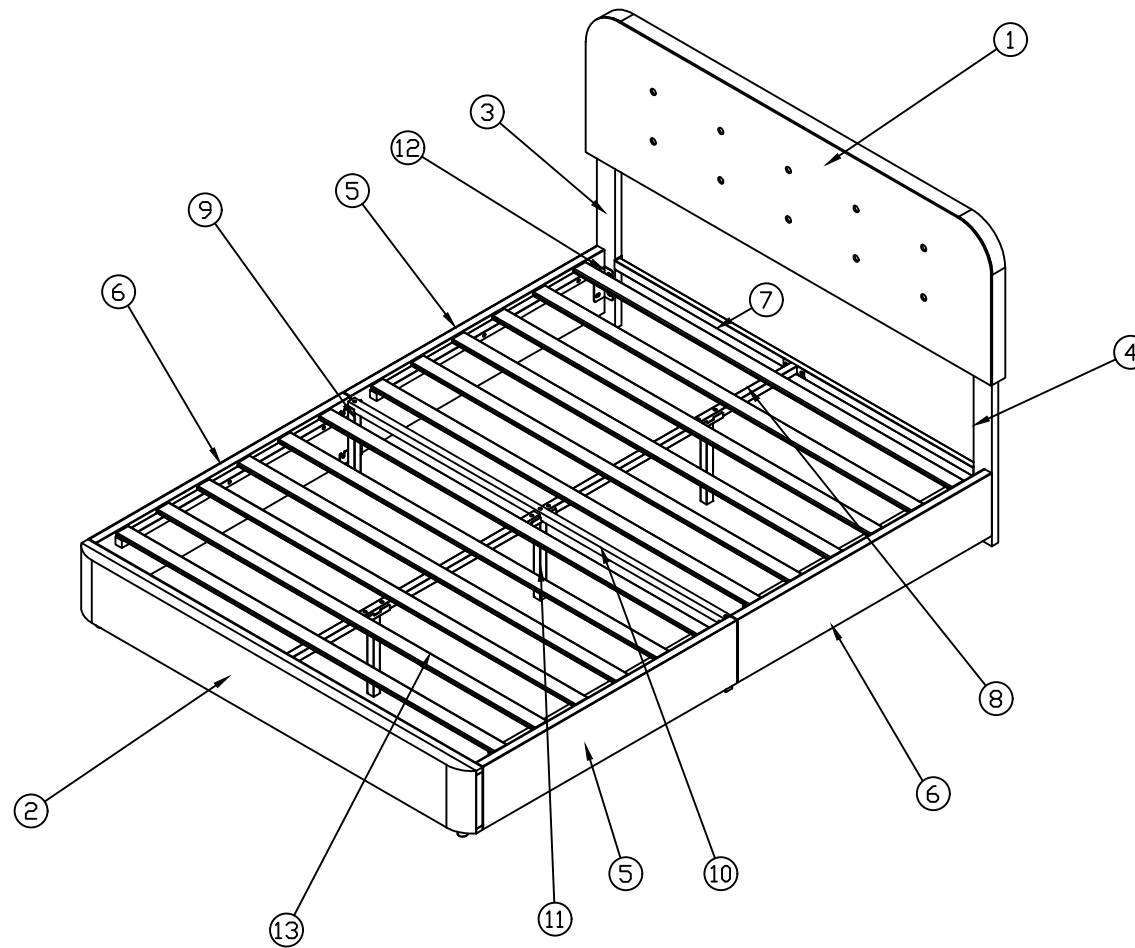


It needs at least two people to install.





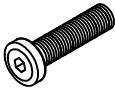

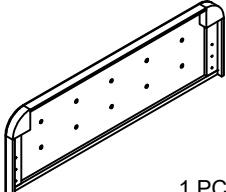
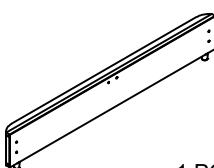


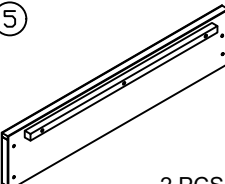
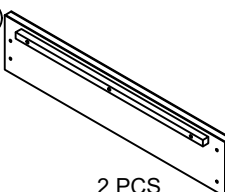

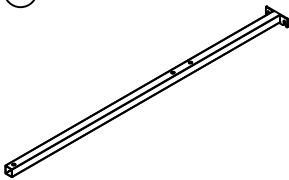
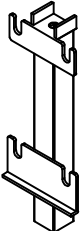
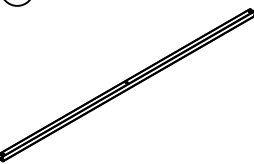
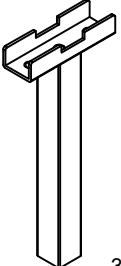
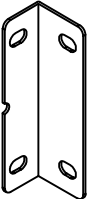
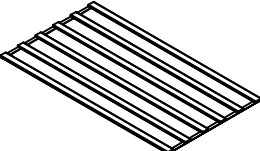
Before starting the assembly, you must read the whole manual and follow the instructions.

Assembly Instruction



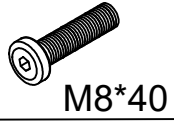
Assembly Instruction

Hardware Parts

 <p>A M8*20 30 PCS</p>	 <p>B M8*35 8 PCS</p>	 <p>C M8*40 5 PCS</p>	 <p>D 4 # 1 PC</p>			
<h3>Part list</h3>						
<p>①</p>  <p>1 PC</p>	<p>②</p>  <p>1 PC</p>	<p>③</p>  <p>1 PC</p>	<p>④</p>  <p>1 PC</p>	<p>⑤</p>  <p>2 PCS</p>	<p>⑥</p>  <p>2 PCS</p>	<p>⑦</p>  <p>1 PC</p>
<p>⑧</p>  <p>2 PCS</p>	<p>⑨</p>  <p>2 PCS</p>	<p>⑩</p>  <p>1 PC</p>	<p>⑪</p>  <p>3 PCS</p>	<p>⑫</p>  <p>4 PCS</p>	<p>⑬</p>  <p>2 PCS</p>	
						<p>Page 3/12</p>

Assembly Instruction

C

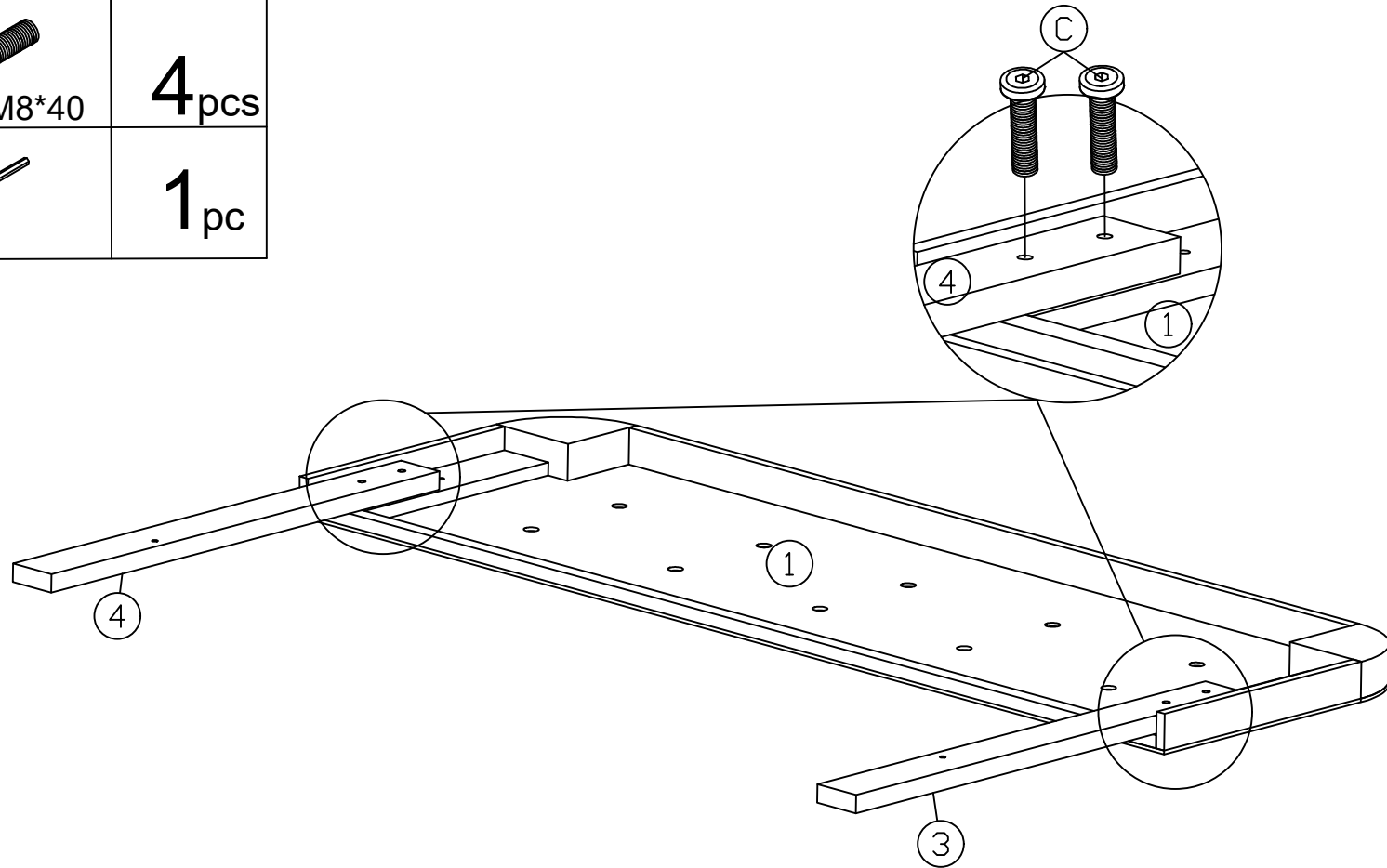


4 pcs



D

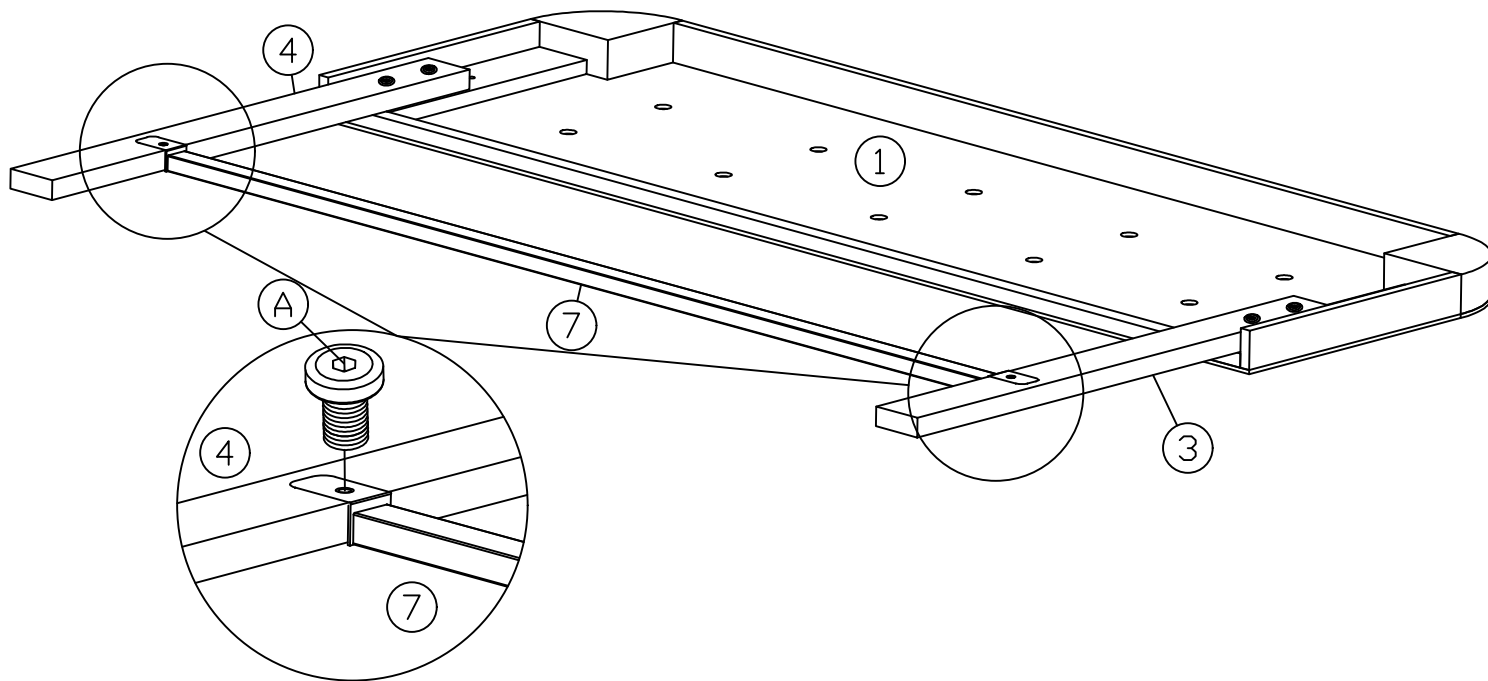


1 pc



Assembly Instruction

A	 M8*20	2 pcs
D		1 pc



Assembly Instruction

A

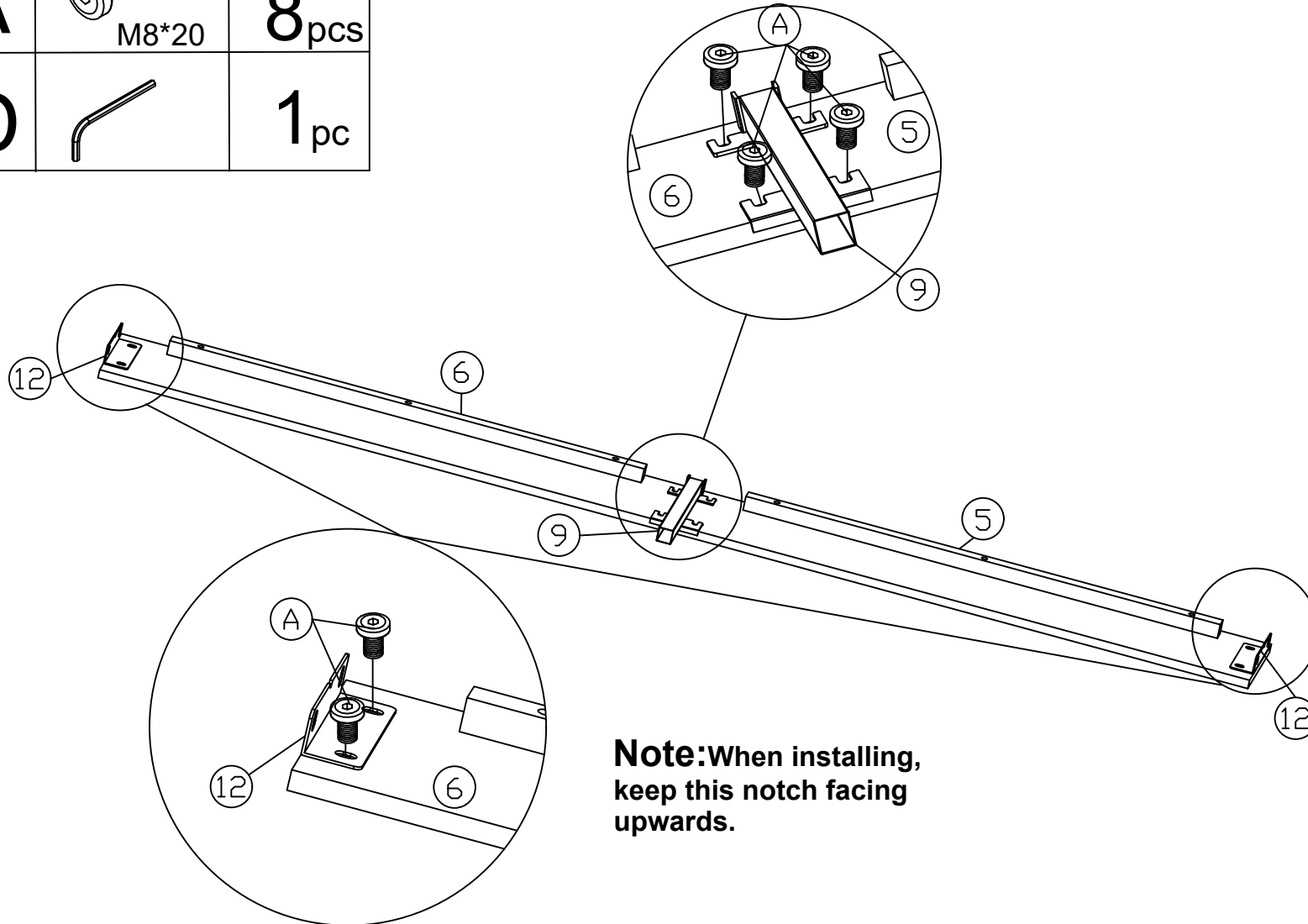


8 pcs

D



1 pc



Note:When installing,
keep this notch facing
upwards.

Assembly Instruction

A



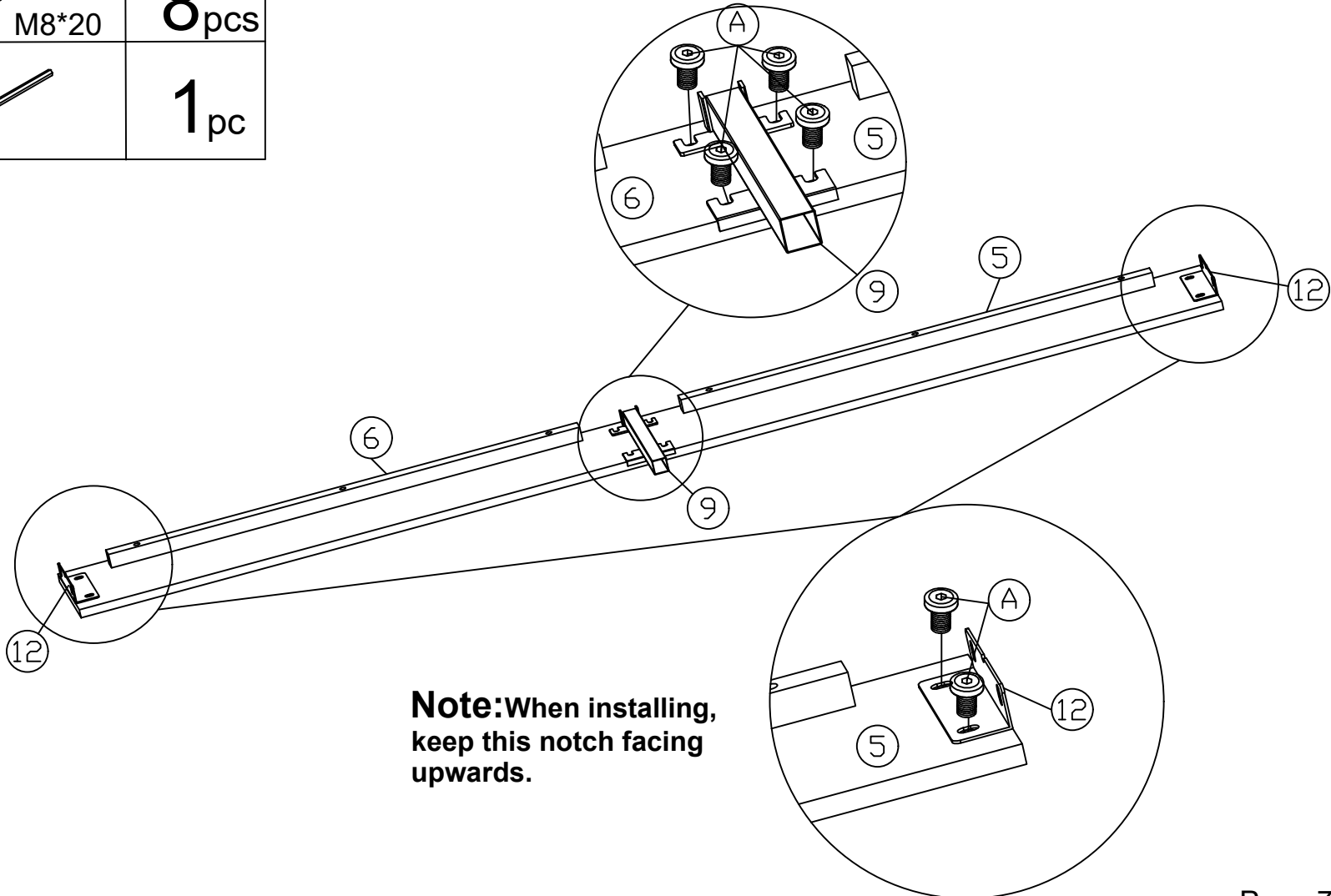
M8*20

8 pcs

D



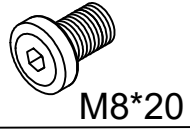
1 pc



Note: When installing,
keep this notch
facing
upwards.

Assembly Instruction

A

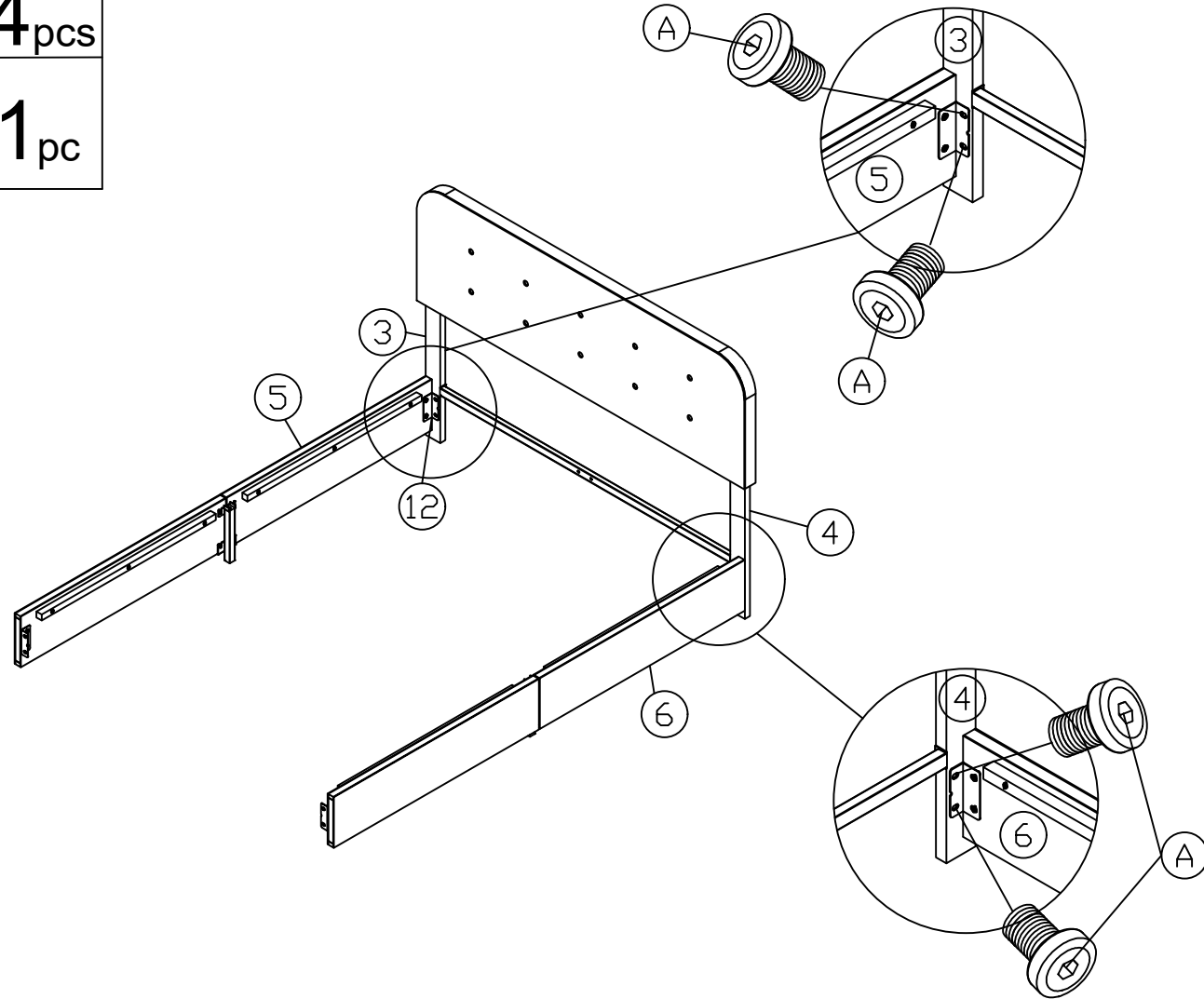


4 pcs

D

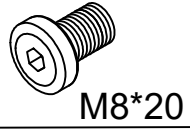


1 pc



Assembly Instruction

A

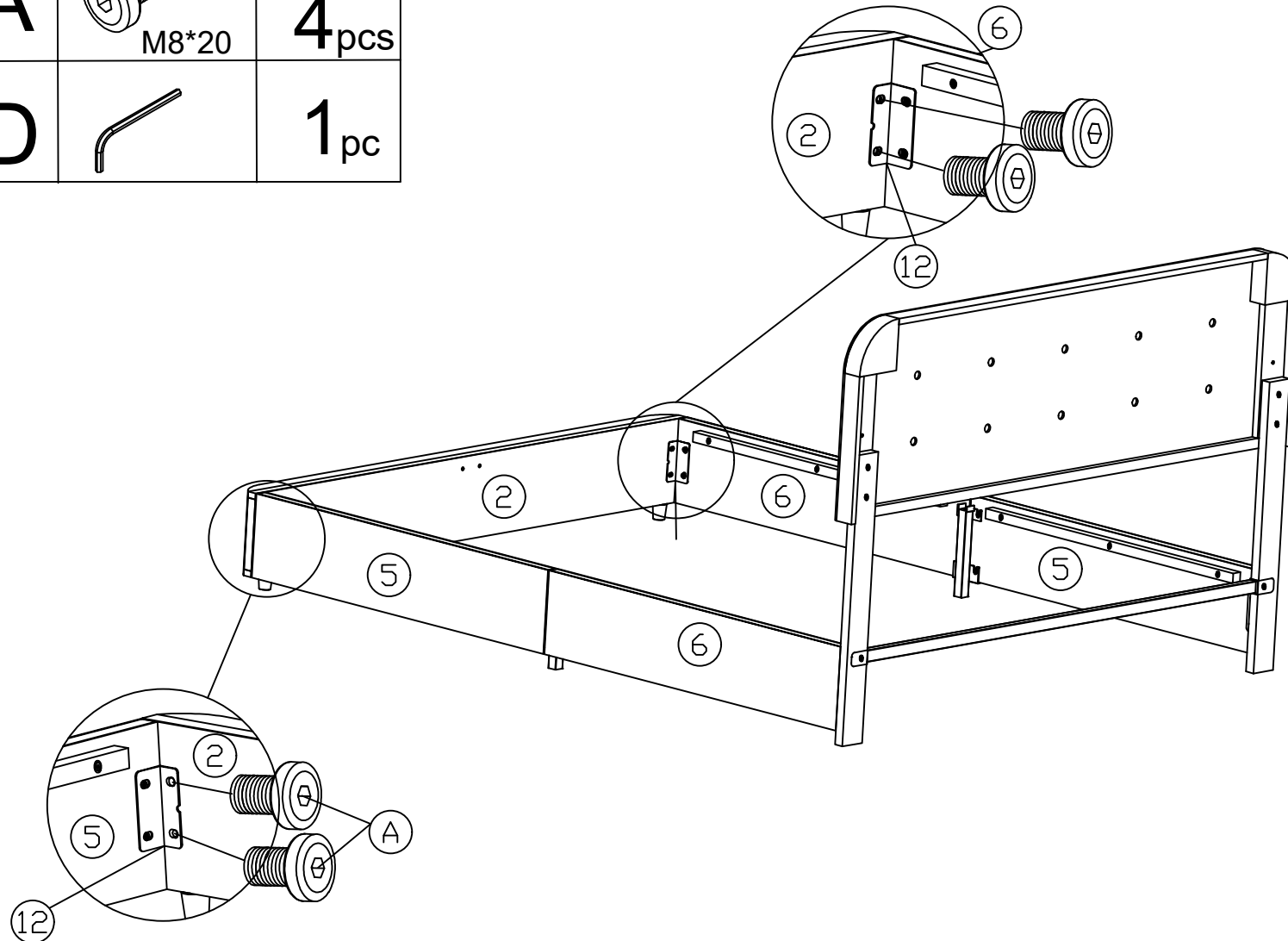


4 pcs

D

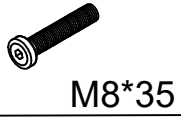


1 pc



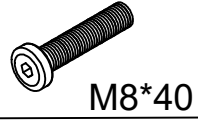
Assembly Instruction

B



2 pcs

C

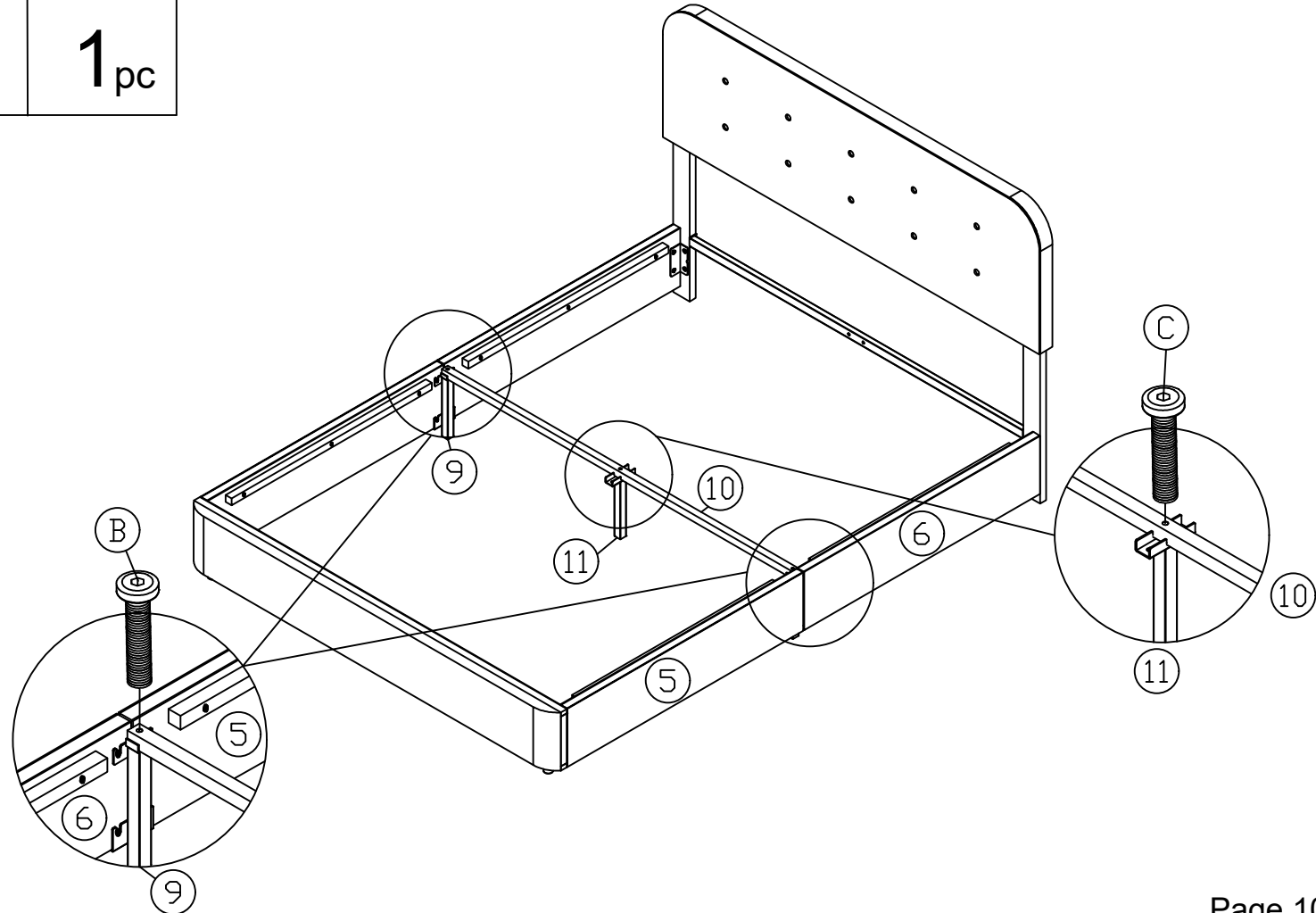


1 pc

D



1 pc



Assembly Instruction

A



4 pcs

B

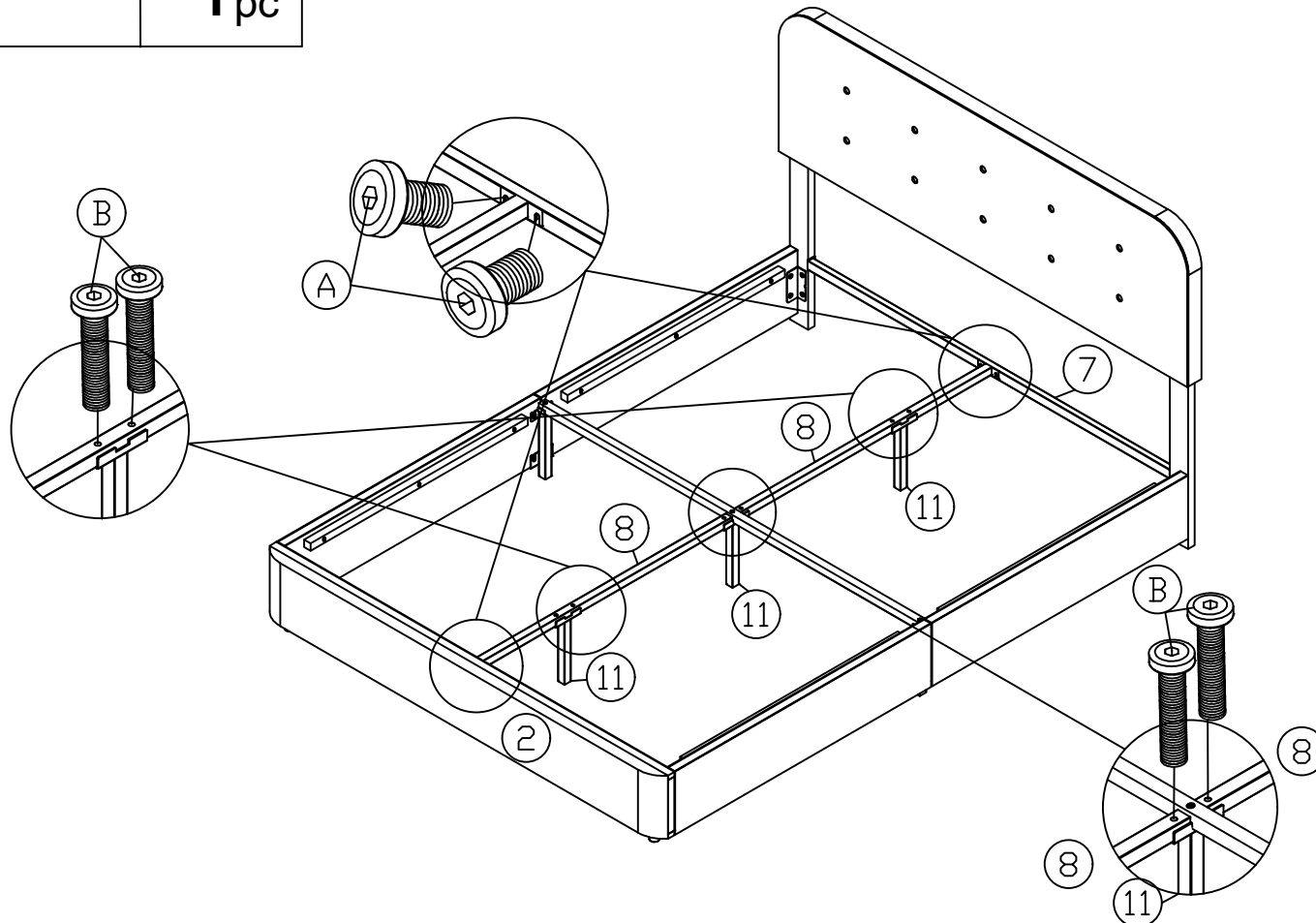


6 pcs

D



1 pc



Assembly Instruction

