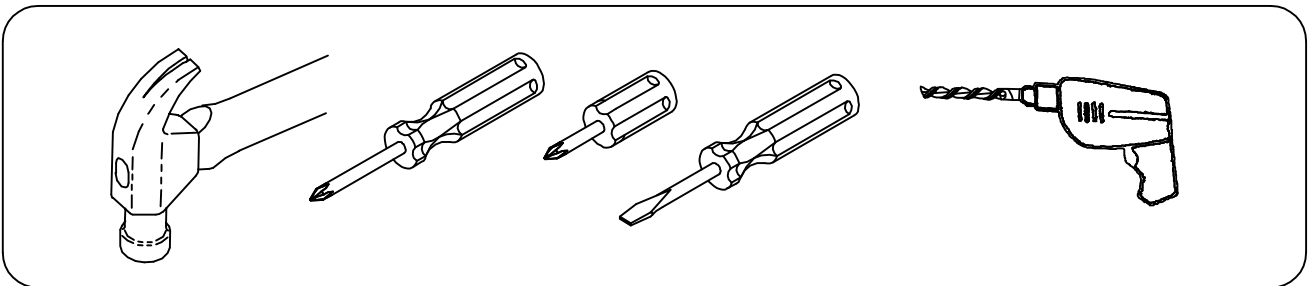
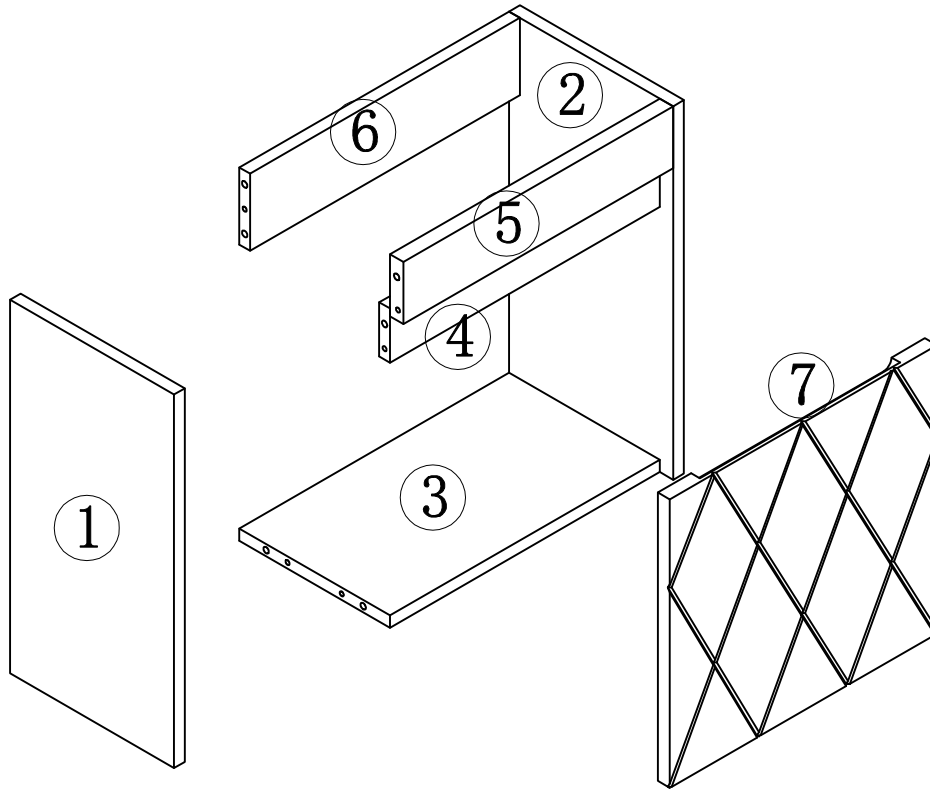



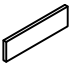

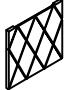
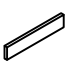







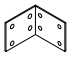

YOU MAY NEED (NOT SUPPLY)



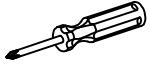
ASSEMBLY DIAGRAM



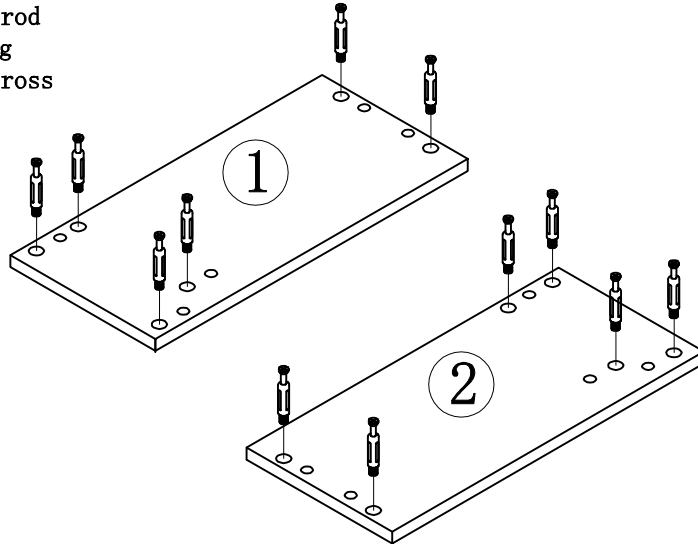
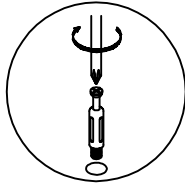
PARTS LIST					
PARTS LIST					
NO	DESCRIPTION	QTY	NO	DESCRIPTION	QTY
①	Left side panel 	1	⑤	Front fixed panel 	1
②	Right side panel 	1	⑥	Back fixed panel 	1
③	Bottom panel 	1	⑦	Right door panel 	1
④	Front fixed panel 	1			

PARTS LIST					
HARDWARE LIST					
NO	DESCRIPTION	QTY	NO	DESCRIPTION	QTY
A	Three-in-one eccentric wheel 	12	E	Door hinge 	2
B	Three-in-one connecting rod 	12	F	4*16mm screw 	28
C	Three-in-one sticker 	12	G	White angle bracket 	2
D	8*40mm wood dowel pins 	10			
CAUTION: Please confirm the parts list before installation					

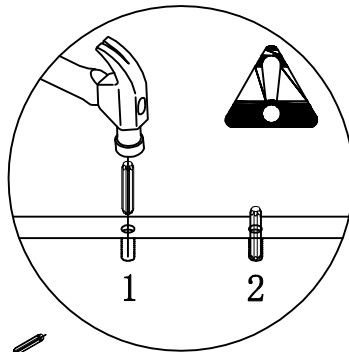
STEP 1

HARDWARE LIST	
Three-in-one connecting rod B 12PCS	

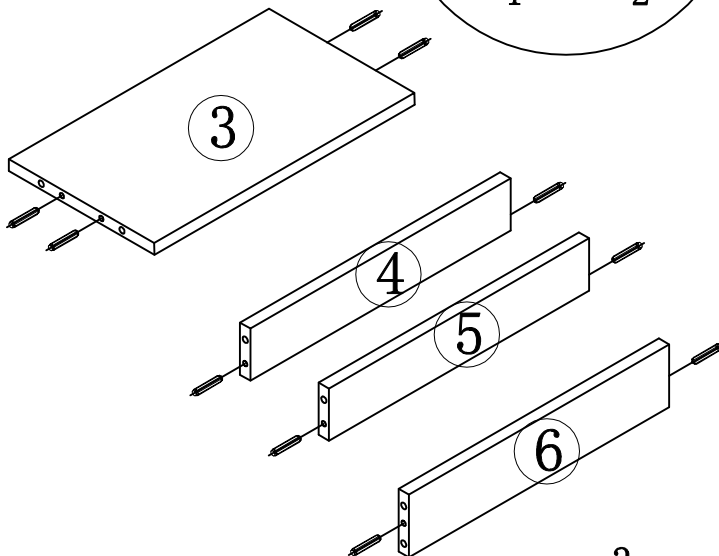
1. Put the three-in-one connecting rod in the 10mm hole of the following panels and tighten them with a cross screwdriver or an electric tool.

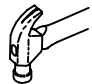


STEP 2

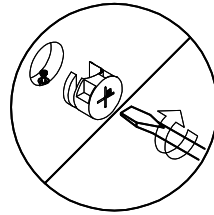
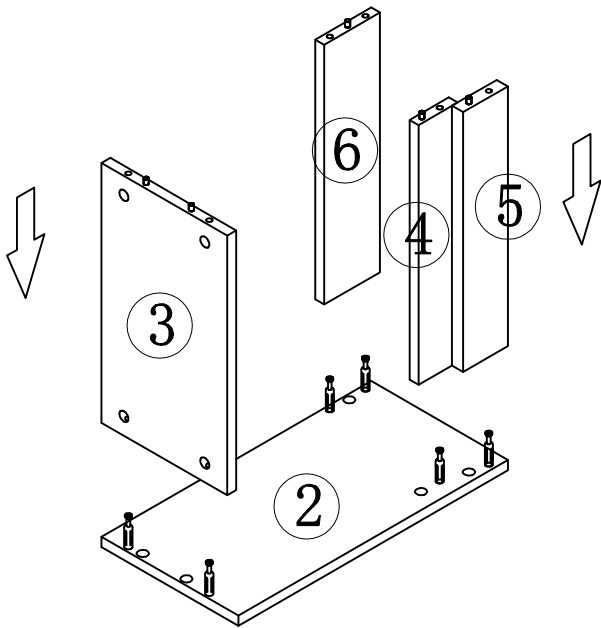


1. Strike the 08*40mm wood dowel pin into the 8mm hole of the above panels with an iron hammer. Please note that the hole of the three-in-one connecting rod should also be 8mm. The hole of the three-in-one connecting rod connects to the hole of 15mm three-in-one eccentric wheel.

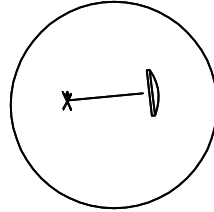


HARDWARE LIST	
8*40mm wood dowel pins D 10PCS	




STEP 3



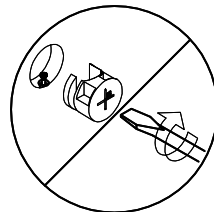
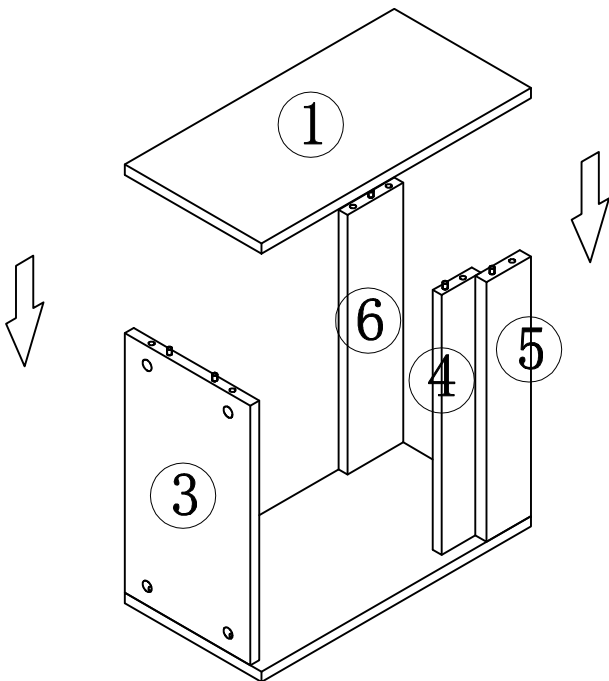
1. Connect No. 3-4-5-6 panel to No. 2 panel tightly with the three-in-one eccentric wheel.



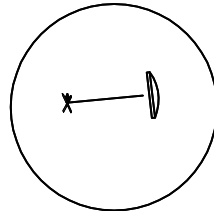
2. Cover the mounting hole of the eccentric wheel with a three-in-one sticker.

HARDWARE LIST		
Three-in-one eccentric wheel A  6PCS	Three-in-one sticker C  6PCS	


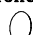

STEP 4



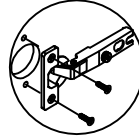
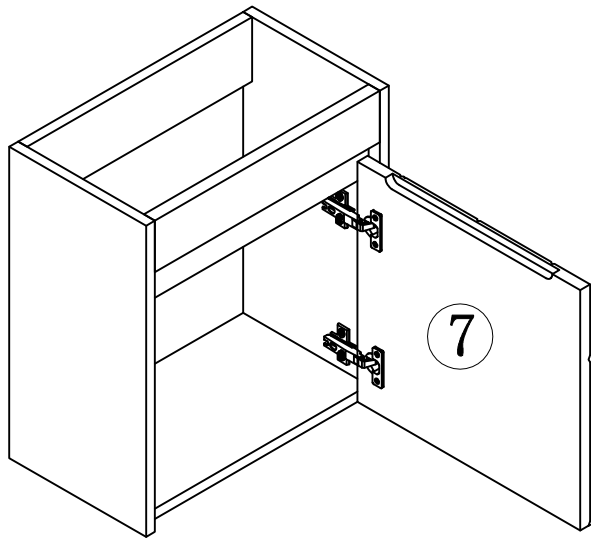
1. Connect No. 1 panel to No. 3-4-5-6 panel tightly with the three-in-one eccentric wheel.



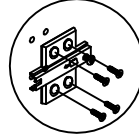
2. Cover the mounting hole of the eccentric wheel with a three-in-one sticker.

HARDWARE LIST		
Three-in-one eccentric wheel A  6PCS	Three-in-one sticker C  6PCS	

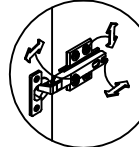
STEP 5



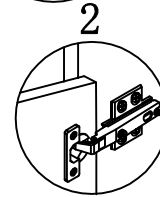
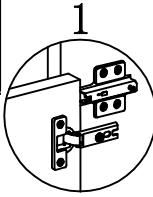
1. Install the hinge cup to the door panel with 4*16mm screws.



2. Install the hinge to the side panel with 4*16mm screws.



4. Adjust the door panel clearance.

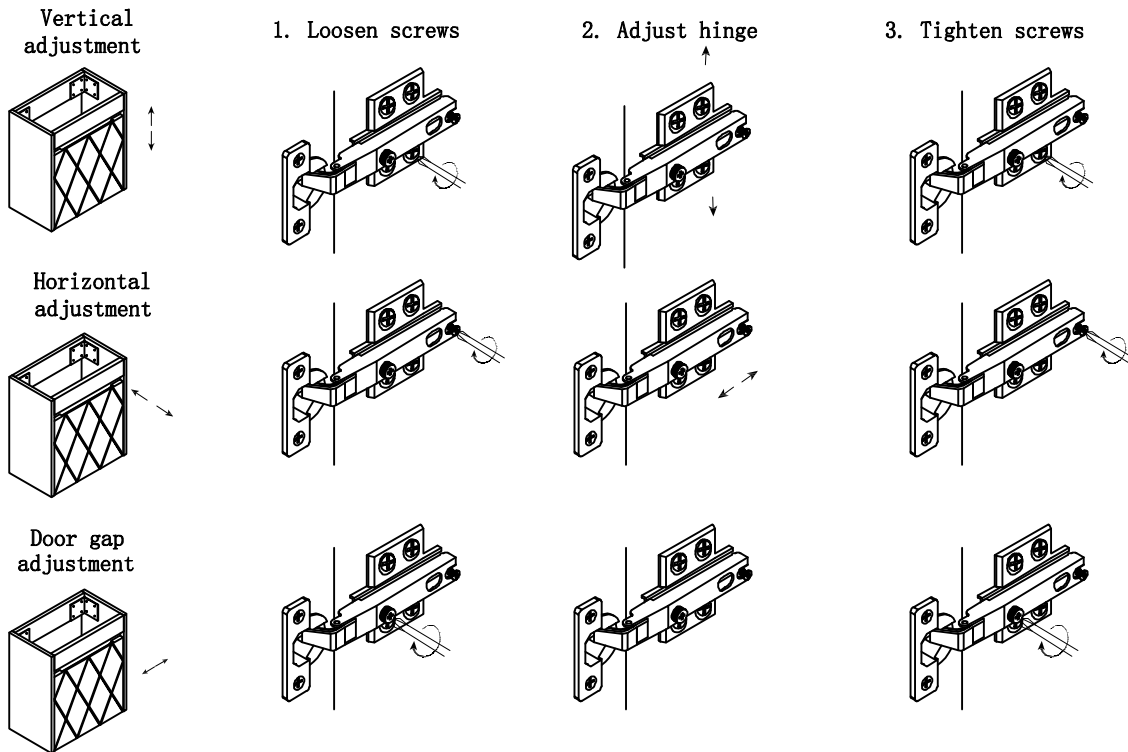


3. Install the hinge cup on the door panel to the hinge of the side panel.

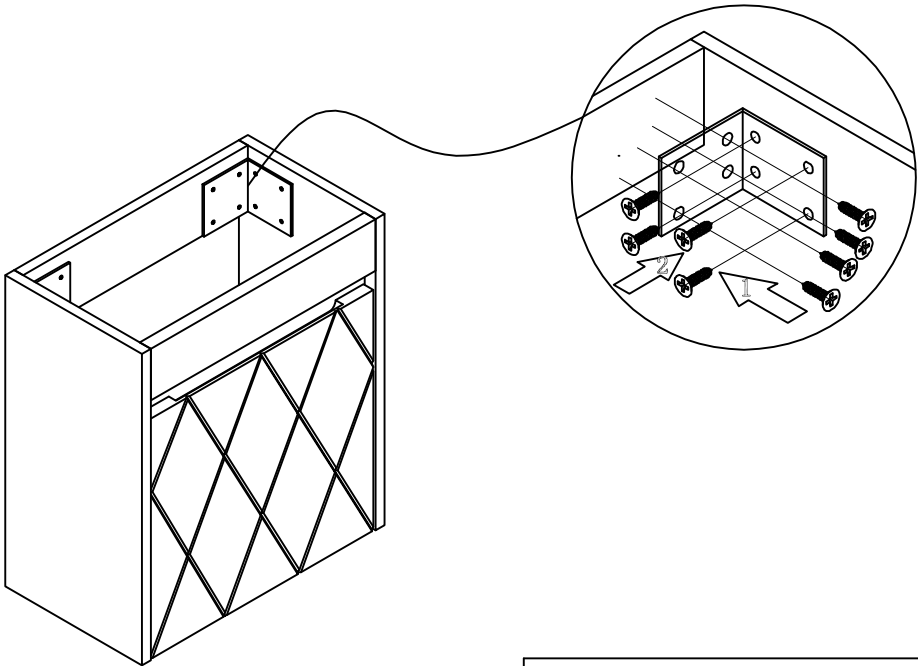
HARDWARE LIST		
4*16mm screw	Door hinge	
F  12PCS	E  2PCS	




Hinge/Door Adjustment and Realignment

If adjustment or realignment is needed, follow the instructions provided in the following chart.

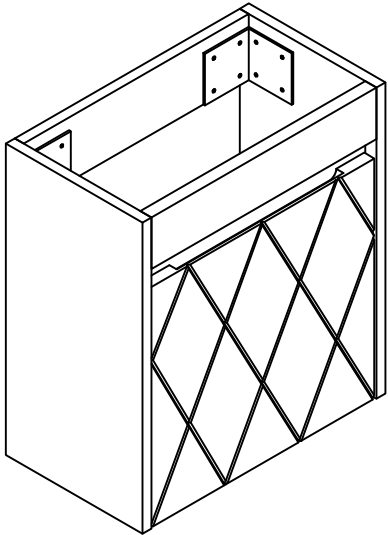


STEP 6



HARDWARE LIST		
4*16mm screw	White angle bracket	
F  16PCS	G  2PCS	

STEP 7





Choking hazard-Small Parts : This unit contains small parts, not for children under 3 years.

Tip-over hazard : Secure finished unit to wall stud using L-Bracket and wall screw (#10*1.5"W/out provided). If a wall stud is not neccessible , Consault your local hardware store for appropriate mounting hardware . Failure to properly install will result in product collapse or tip-over. Serious injury can occur .