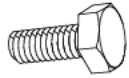


ASSEMBLY INSTRUCTIONS



(A) 2x Iron Legs



(B) 4x Bolts

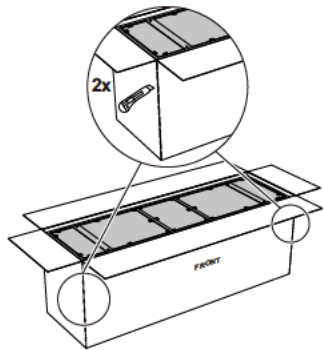
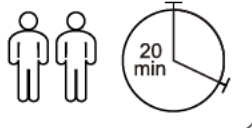


(C) 1x Wrench

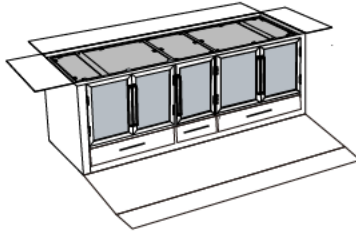


(D) Wall Mount Anti Tip Kit

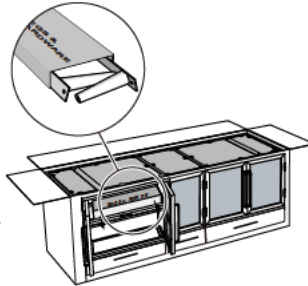
* The product image in the assembly instructions is included for the purposes of depicting the assembly steps. The assembly instructions apply to all models shown below.



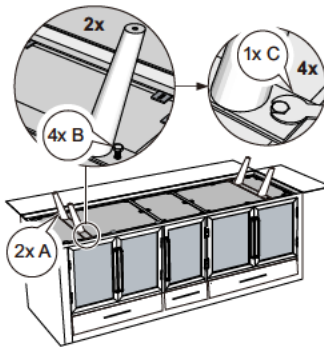
Step 1



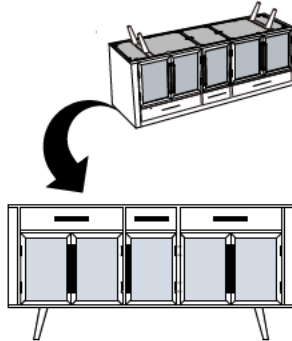
Step 2



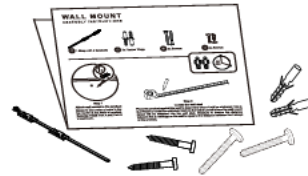
Step 3



Step 4



Step 5



Step 6

WARNING

Always use the proper tools during assembly. Follow the assembly steps in order. **DONOT** skip any steps. Be sure to check all packing materials carefully for assembly hardware. If any parts are missing, contact the retailer from which you purchased the product to obtain any missing parts. **DO NOT USE SUBSTITUTE PARTS.** During assembly tighten screws first by hand. Once all screws are in place use the tool provided to tighten. Periodically check to ensure that all hardware (bolts, screws, etc.) are tight. **DO NOT** stand on the product during assembly. Where assembly instructions state that assembly requires two or more people, **DO NOT** attempt to assemble by yourself as there is a risk of injury.

WALL MOUNT

ASSEMBLY INSTRUCTIONS



(A) 1 Strap with 2 Brackets



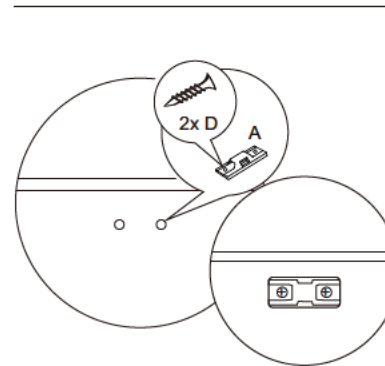
(B) 2x Fischer Plugs



(C) 2x Drywall Screws #6x1"



(D) 2x Drywall Screws #6x3/4"



Step 1

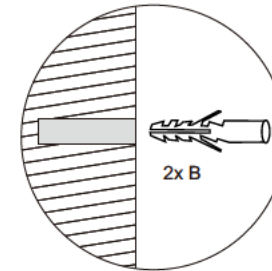
Attach wall mount to the product
Attach one of the wall mount brackets from Part A to the top centre back of the product. Using Part D, screw directly into the back of the product to secure the wall mount bracket.



Step 2

Locate the wall stud

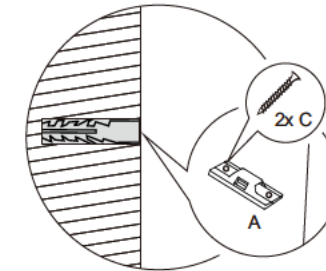
Place the product against the wall to determine where it will be anchored. Use a stud finder to locate the wall stud. Mark on the wall in pencil where the other wall mount bracket from Part A will be attached into the wall stud. Measure to ensure the distance between the markings on the wall is equal to the distance between the 2 holes in the wall mount bracket.



Step 3

Drill holes in the wall

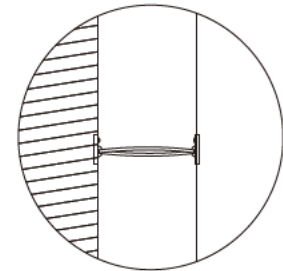
Drill 2 holes in the wall based on the pencil markings in Step 2 to install Part B.



Step 4

Attach wall mount to the wall stud

Using Part C safely secure the wall mount bracket from Part A to the wall.



Step 5

Secure wall mount and enjoy!

Move the product to its final position. Line up the wall mount bracket on the product with the wall mount bracket on the wall. Thread the strap through the 2 brackets and tighten until snug and secure.

WARNING

Serious or fatal crushing injuries can occur from furniture tip-over. To prevent this furniture from tipping over it must be permanently fixed to the wall with the included wall attachment devices. Please note the fastening devices included are not suitable for all wall types. Use fastening devices suitable for the walls in your home. For advice on suitable fastening devices, please contact your local hardware store.