

ASSEMBLY & INSTALLATION

Please read carefully and save these instructions, as you may need them at a later date.

CAUTION

Turn off the main power at the circuit breaker before installing the fixture, in order to prevent possible shock.

GENERAL

All electrical connections must be in accordance with local and National Electrical Code (N.E.C.) standards. If you are unfamiliar with proper electrical wiring connections obtain the services of a qualified electrician.

Remove the fixture and the mounting package from the box and make sure that no parts are missing by referencing the illustrations on the installation instructions.

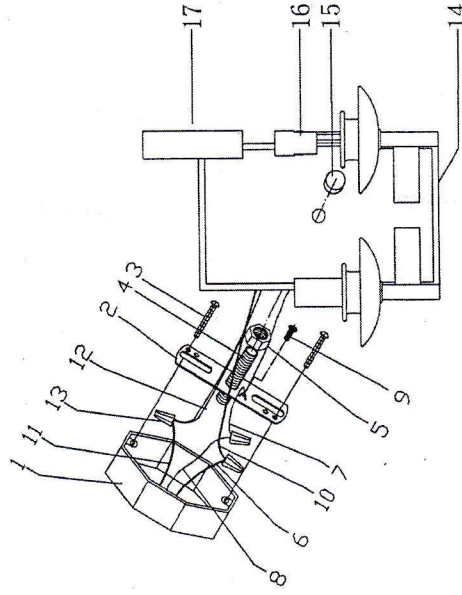
ASSEMBLY AND INSTALLATION

1. Thread the NIPPLE(4) into the center hole of the SINGLE BAR(2). Secure the position by tightening with the HEX NUTS(5).
2. Secure the SINGLE BAR(2) to the OUTLET BOX(1) with MOUNTING SCREWS(3).
3. Attach the BLACK SUPPLY WIRE (6) to the SMOOTH (or BLACK) FIXTURE LEAD WIRE (10) by using the WIRE CONNECTOR (13). At the same manner, attach the WHITE SUPPLY WIRE (11) to the RIBBED (or WHITE) FIXTURE LEAD WIRE (12). Loop the FIXTURE GROUND WIRE (7) around the GROUND SCREW (9) of the SINGLE BAR(2). (Note: Be sure to provide an extra 3" length of the FIXTURE GROUND WIRE (7) for connection to the SUPPLY GROUND WIRE (8).) Tighten the GROUND SCREW (9). Connect the remaining FIXTURE GROUND WIRE (7) to the SUPPLY GROUND WIRE (8) using a WIRE CONNECTOR (13). Place wiring and connections inside the OUTLET BOX (1).
4. Place the COVER PLATE (14) over the NIPPLE(4) then tighten with the BALL NUT(15).

ASSEMBLY AND INSTALLATION (Continued)

5. Slide the TUBE(17) onto the SOCKET(16).
6. Screw light bulb into the socket and make sure it does not exceed the maximum wattage specified on the fixture's wattage rating label.

INSTALLATION IS NOW COMPLETED



- | | |
|------------------------|---|
| 1. OUTLET BOX | 10. SMOOTH (OR BLACK) FIXTURE LEAD WIRE |
| 2. SINGLE BAR | 11. WHITE SUPPLY WIRE |
| 3. MOUNTING SCREW | 12. RIBBED (OR WHITE) FIXTURE LEAD WIRE |
| 4. NIPPLE | 13. WIRE CONNECTOR |
| 5. HEX NUT | 14. COVER PLATE |
| 6. BLACK SUPPLY WIRE | 15. BALL NUT |
| 7. FIXTURE GROUND WIRE | 16. SOCKET |
| 8. SUPPLY GROUND WIRE | 17. TUBE |
| 9. GROUND SCREW | |