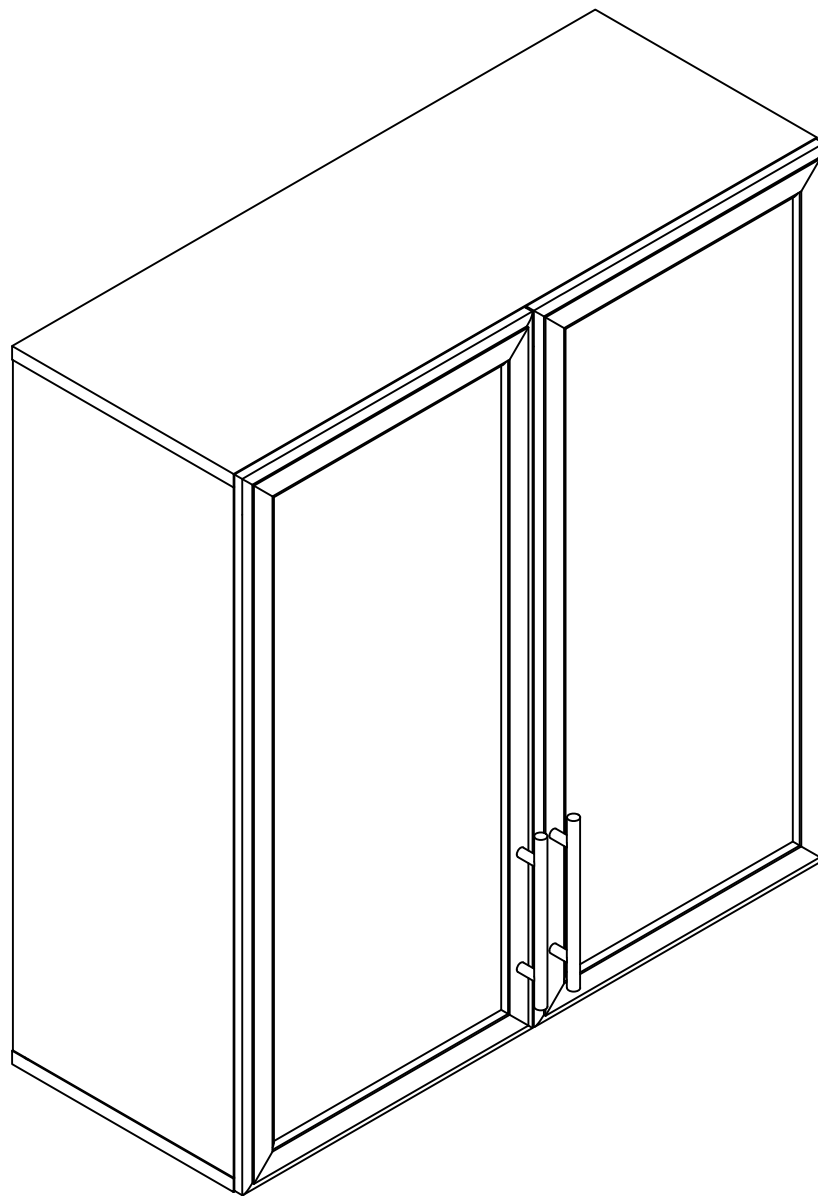
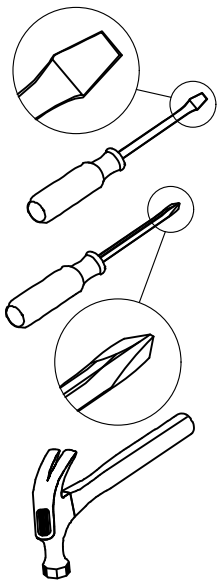

FNZ24101801P1



As this item contains many parts, please read the installation instruction carefully before installation and complete the installation with the cooperation of your partner. Please use tools properly and carefully. If you have any questions about the product and installation, please contact us.

Before You Start

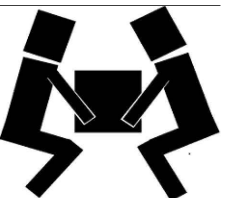
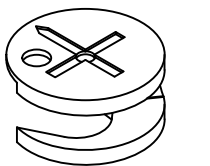
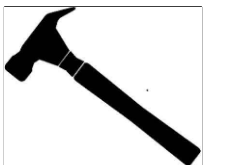
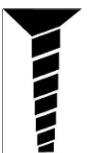
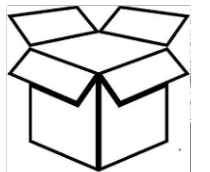


- ✓ Read through each step carefully and follow the proper order
- ✓ Separate and count all your parts and hardware
- ✓ Give yourself enough room for the assembly process
- ✓ Have the following tools: Flat Head Screwdriver, #2 Phillips Head Screwdriver and Hammer
- ✓ Caution: If using a power drill or power screwdriver for screwing, please be aware of to slow down and stop when screw is tight. Failure to do so may result in stripping the screw. (Assembly speed can be increased by using electric screwdriver)

Helpful Hints

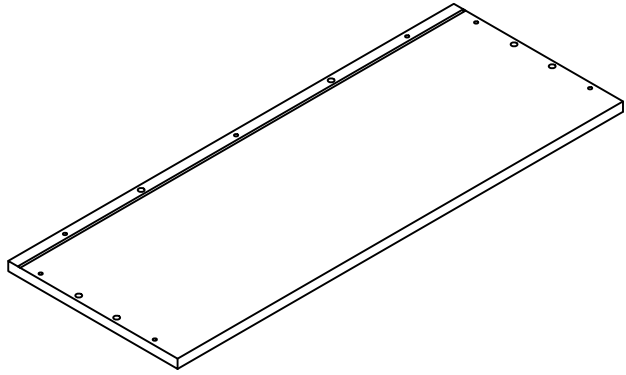
PEOPLE NEEDED FOR ASSEMBLY: 1-2

- Open your item in the area you plan to keep it to avoid excessive heavy lifting.
- Identify, sort and count the parts before attempting assembly.
- Compression dowels are lightly tapped in with a hammer.
- Slides are labeled with an **R** (right) and **L** (left) for proper placement.
- Make sure to always face the point on the top of the Cam Lock towards the outer edge.
- If there is a back panel in the package, please install it to make sure your unit is complete and sturdy.
- Please fix all the screws provided for the back panel which can enhance product stability. If it is difficult to fix it when tightening, it can be fixed with the help of a hammer and then tightened.
- Do NOT use harsh chemicals or abrasive cleaners on this item.
- Never push, pull, or drag your furniture.

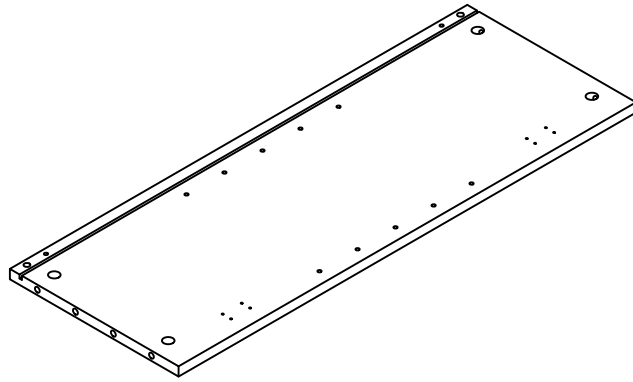


Board Identification

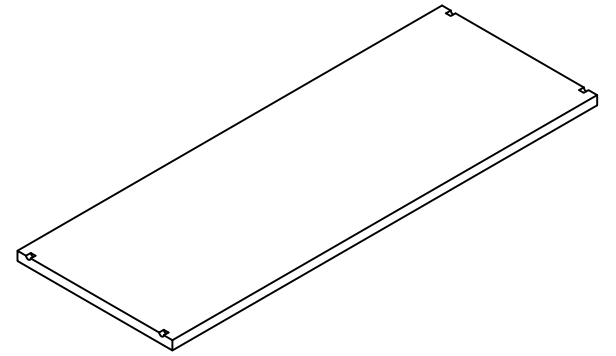
Not actual size



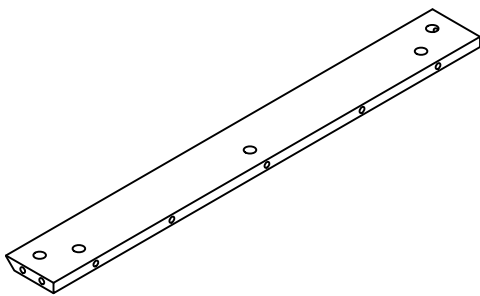
Ⓐ
Qty:2



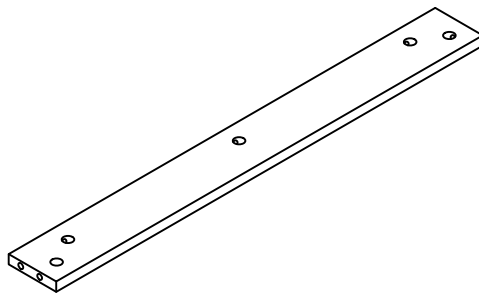
Ⓑ
Qty:2



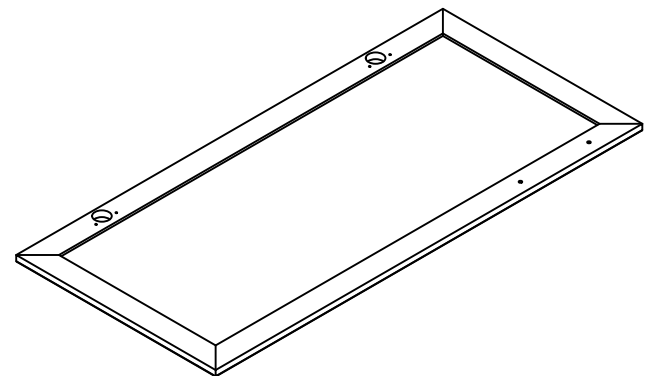
Ⓒ
Qty:1



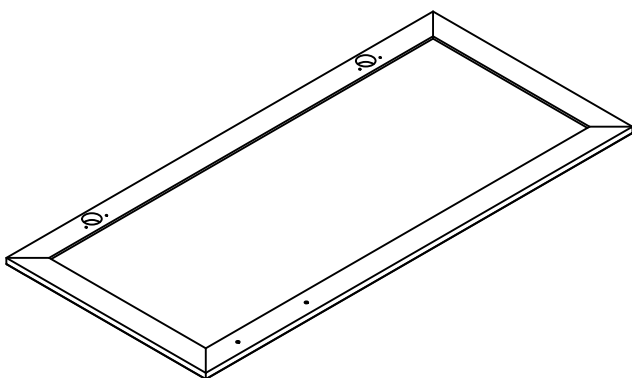
Ⓓ
Qty:1



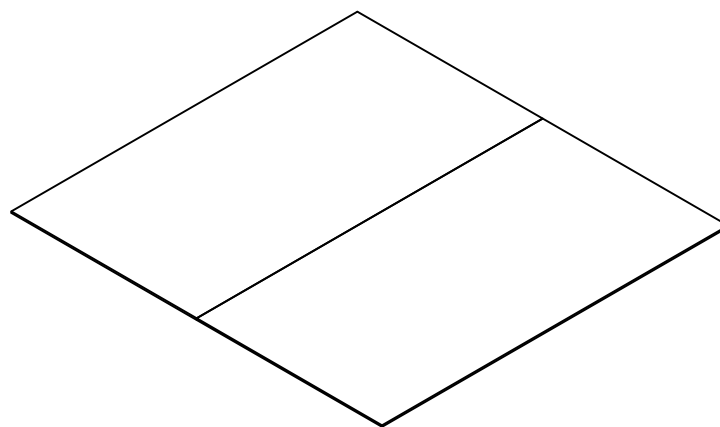
Ⓔ
Qty:1



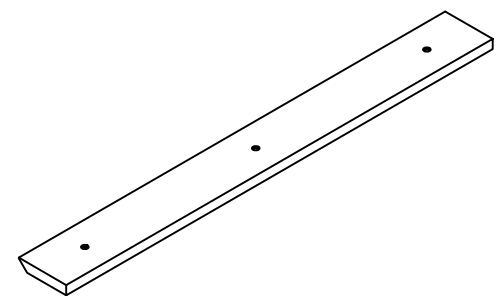
Ⓕ
Qty:1



Ⓖ
Qty:1

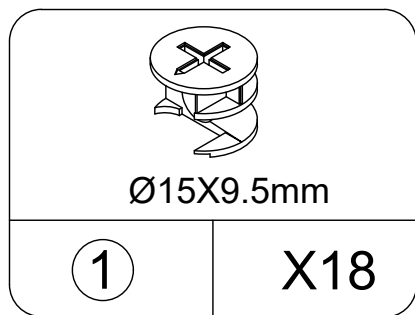


Ⓖ
Qty:1

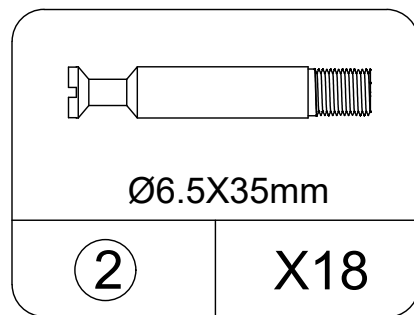


Ⓖ
Qty:1

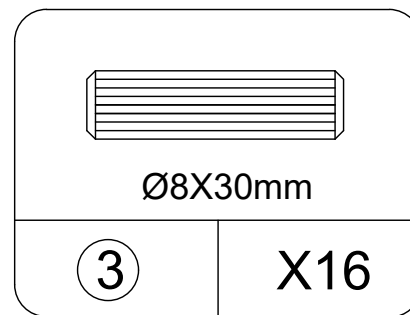
Part List



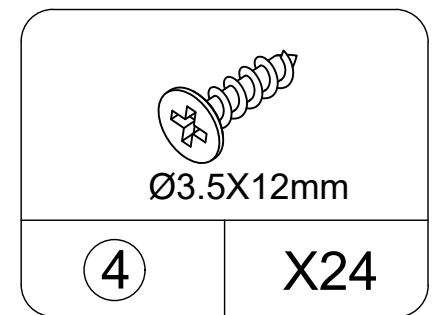
CAM LOCK
spare:2



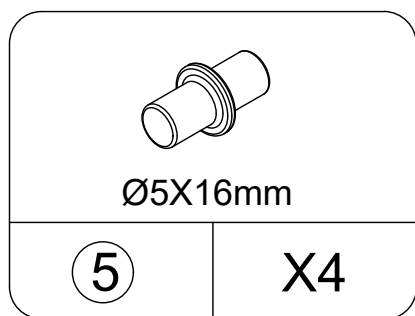
CAM BOLT
spare:2



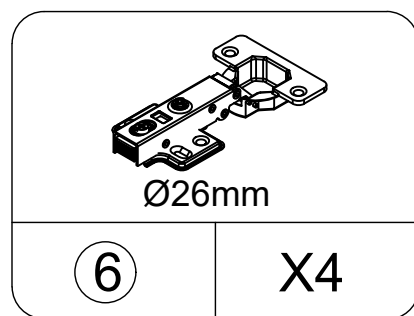
WOOD DOWEL
spare:2



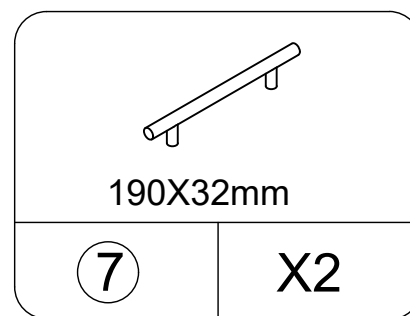
SCREW
spare:2



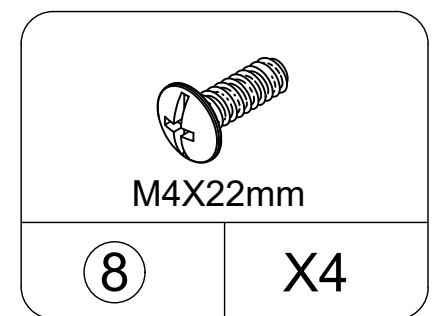
SHELF SUPPORT
spare:1



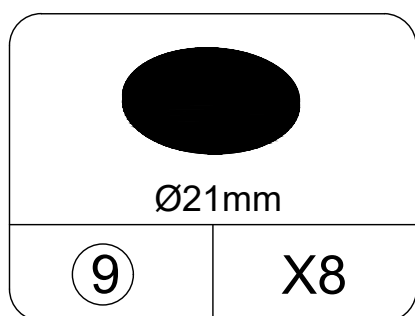
HINGE



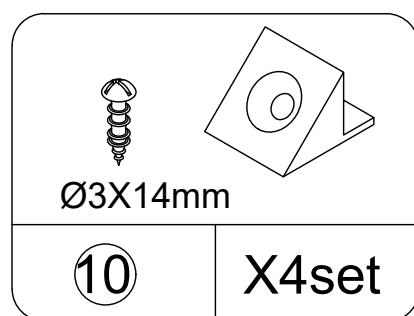
HANDLE



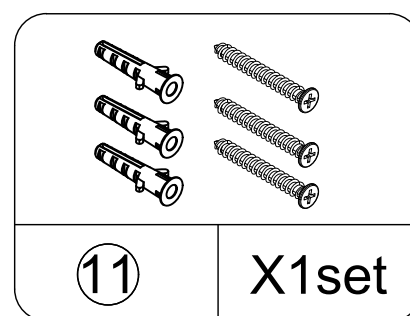
HANDLE SCREWS



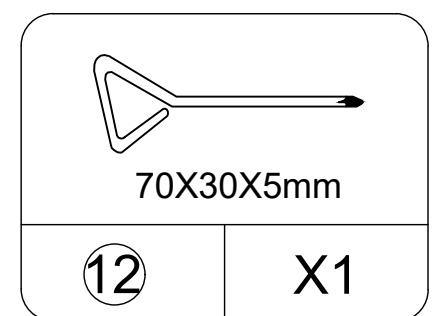
HOLE STICKER
spare:1



BACK PANEL BUCKLE
spare:1



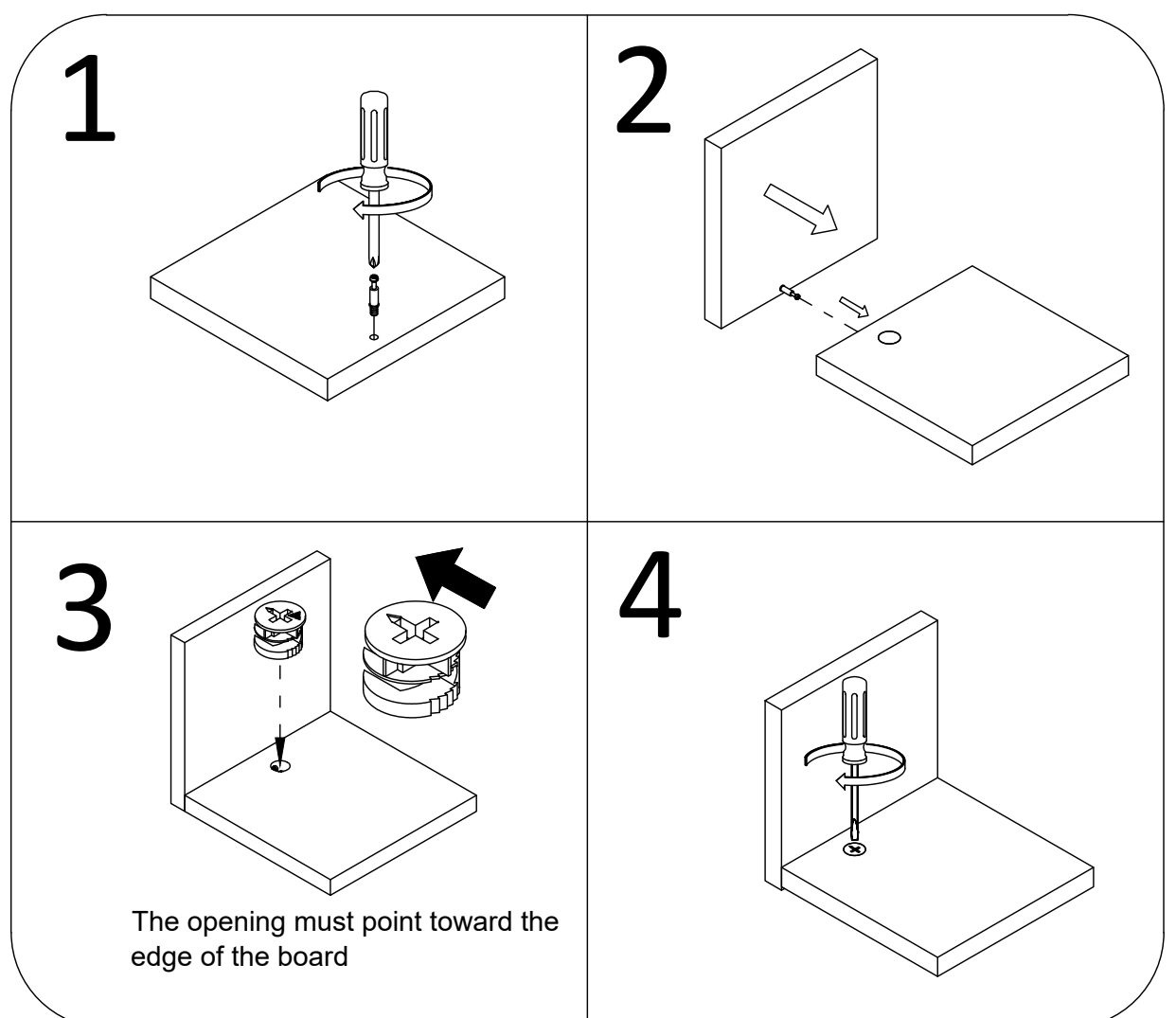
SCREW ANCHOR SET



SCREWDRIVER

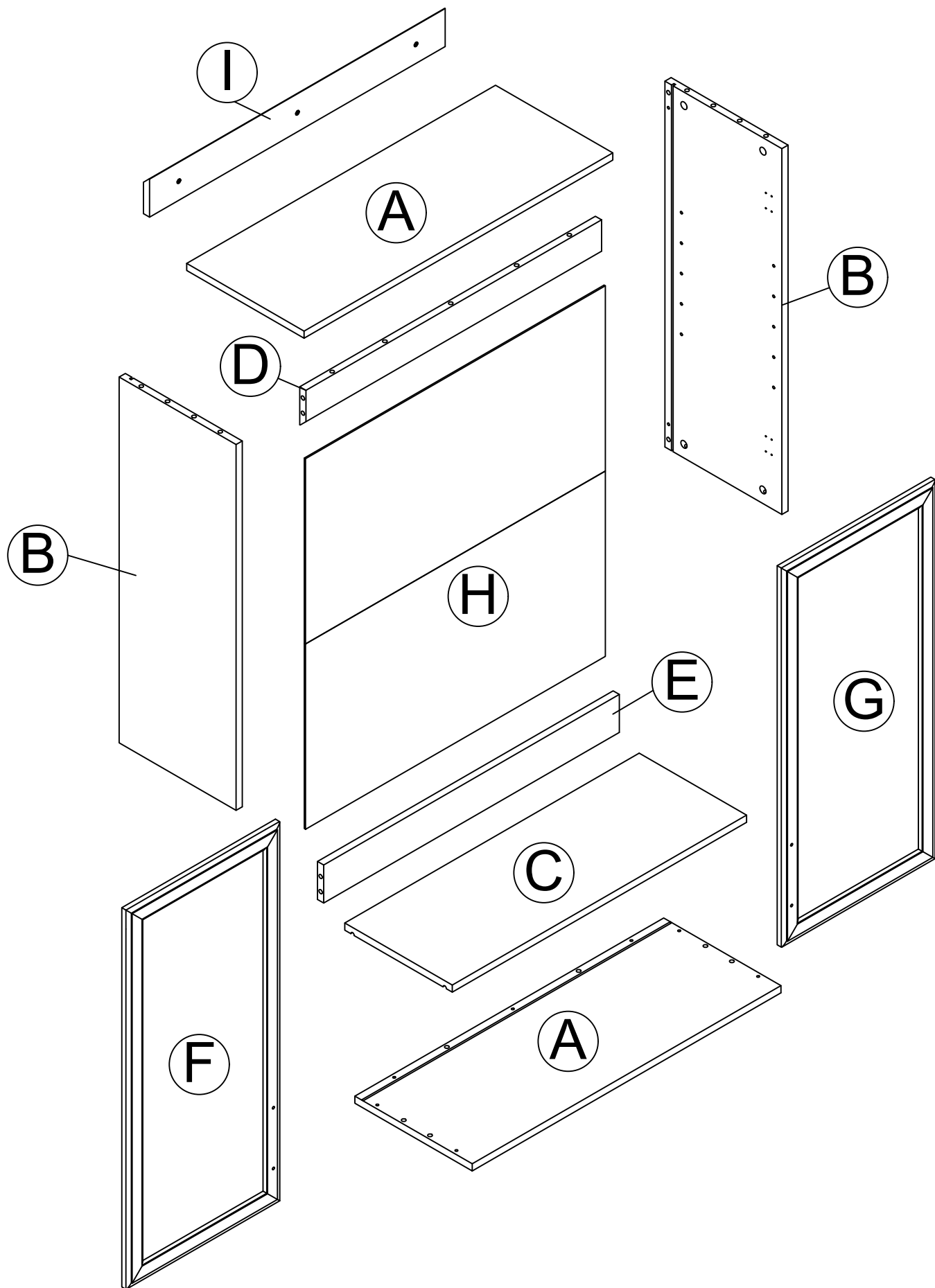
Cam Lock Fastening System

Insert the cam bolt into the hole first, then insert the cam lock and lock it.

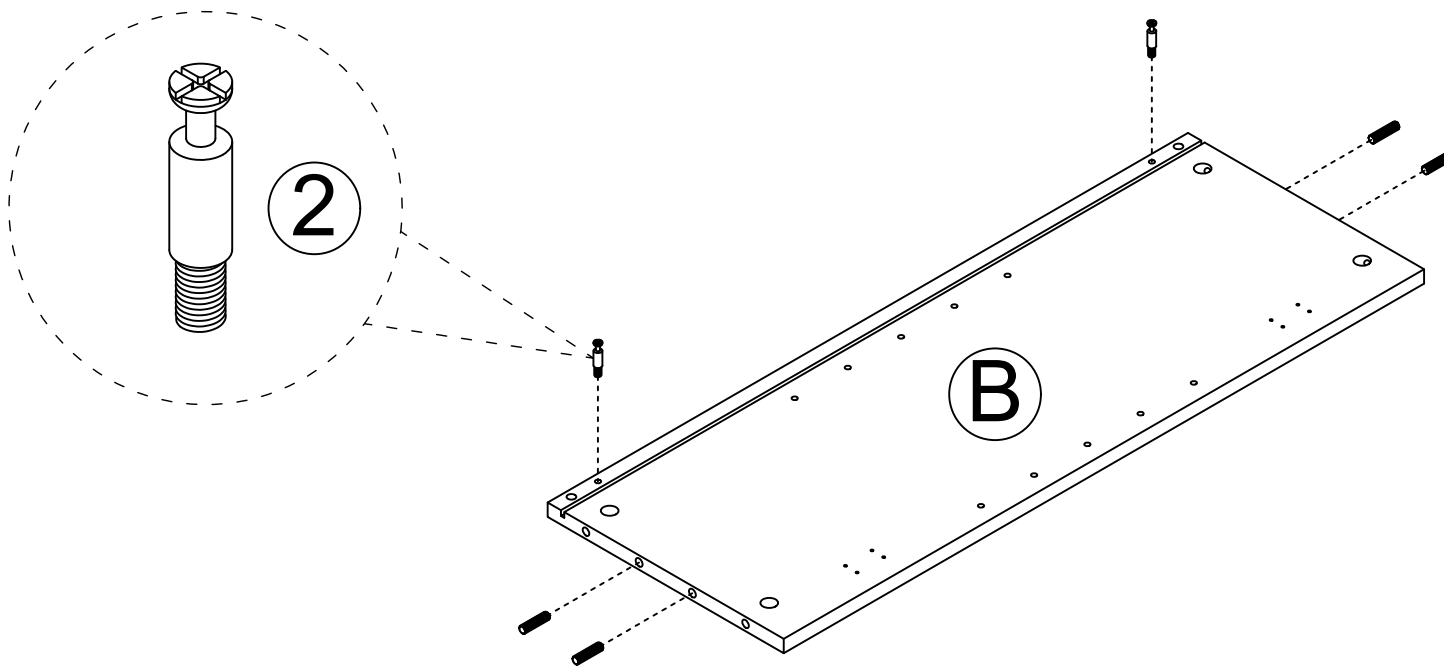
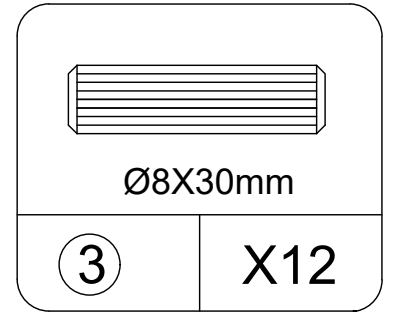
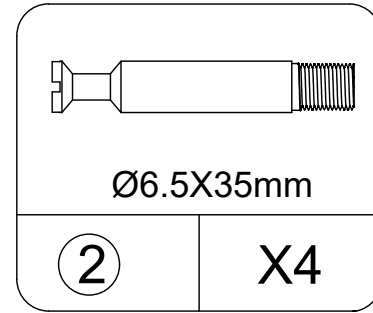
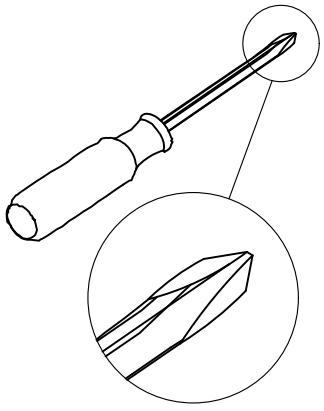


Board Identification

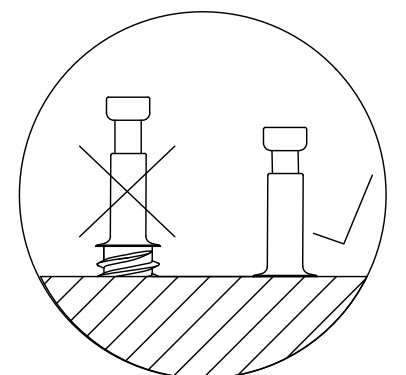
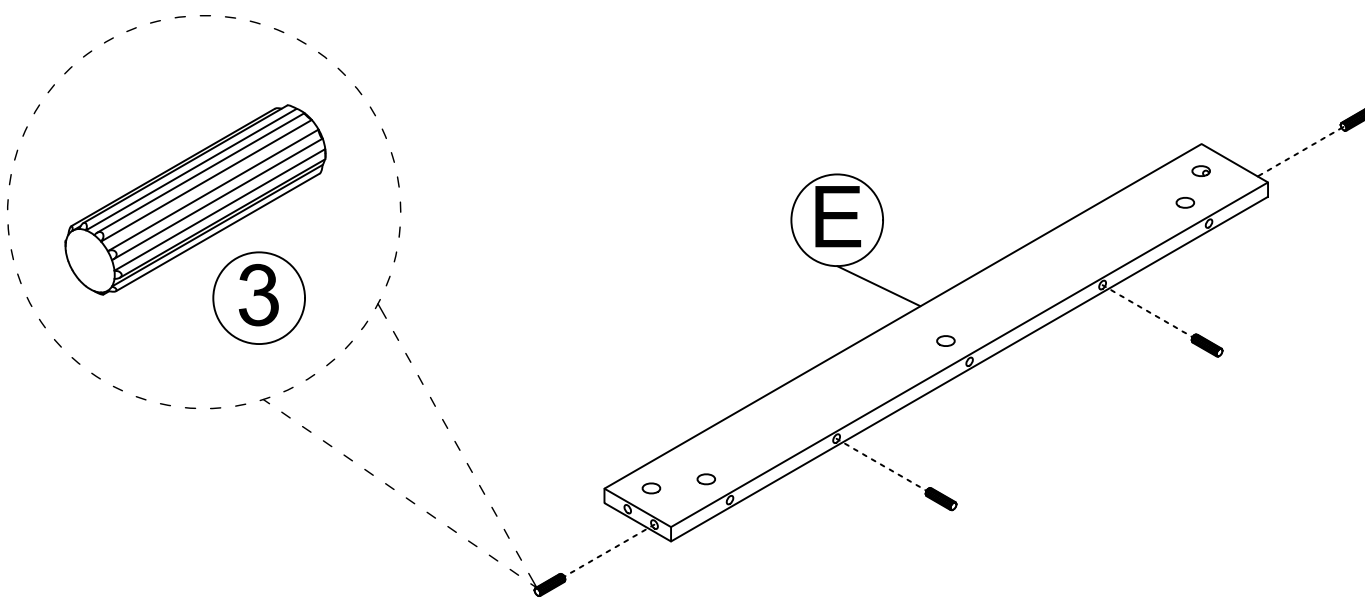
Not actual size



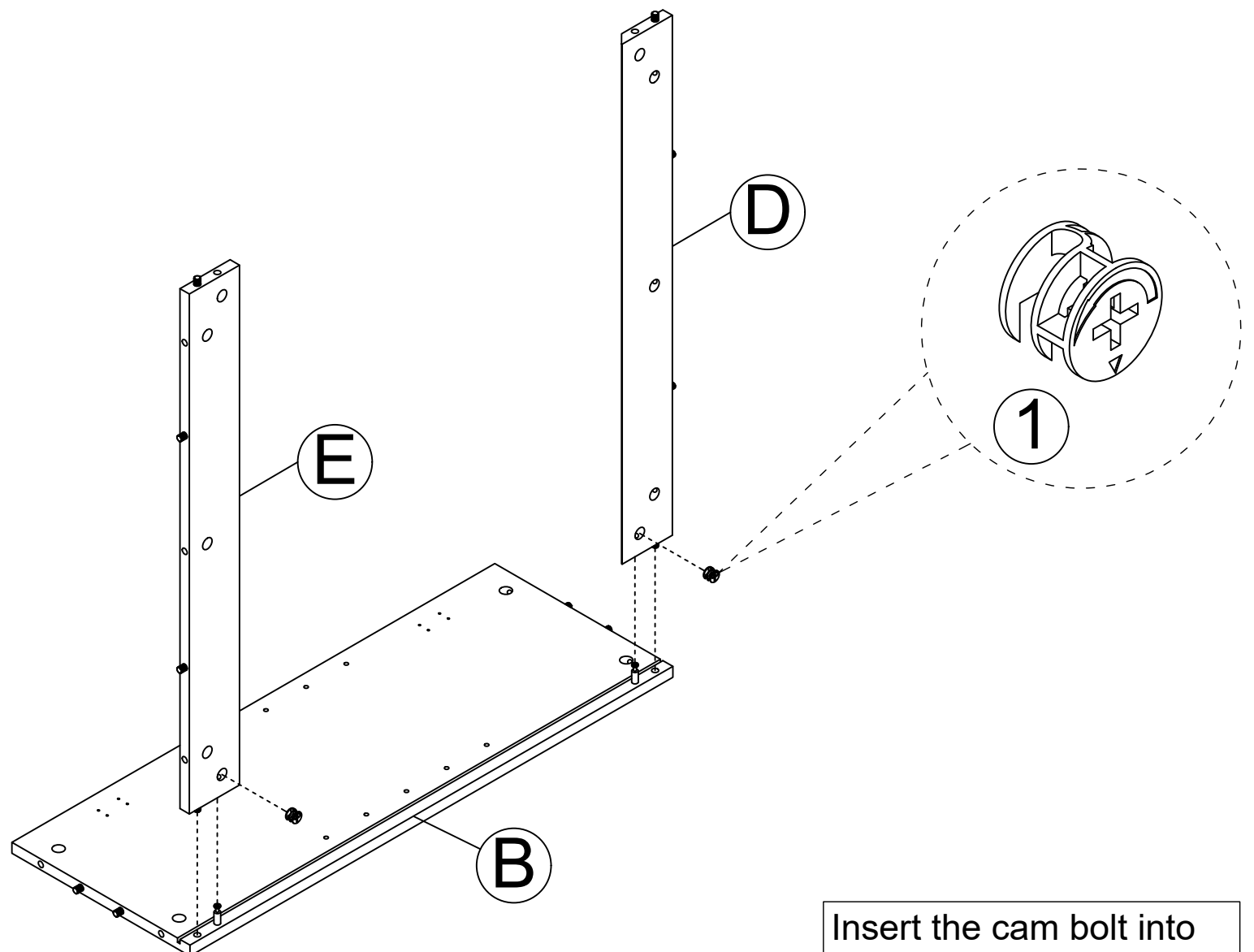
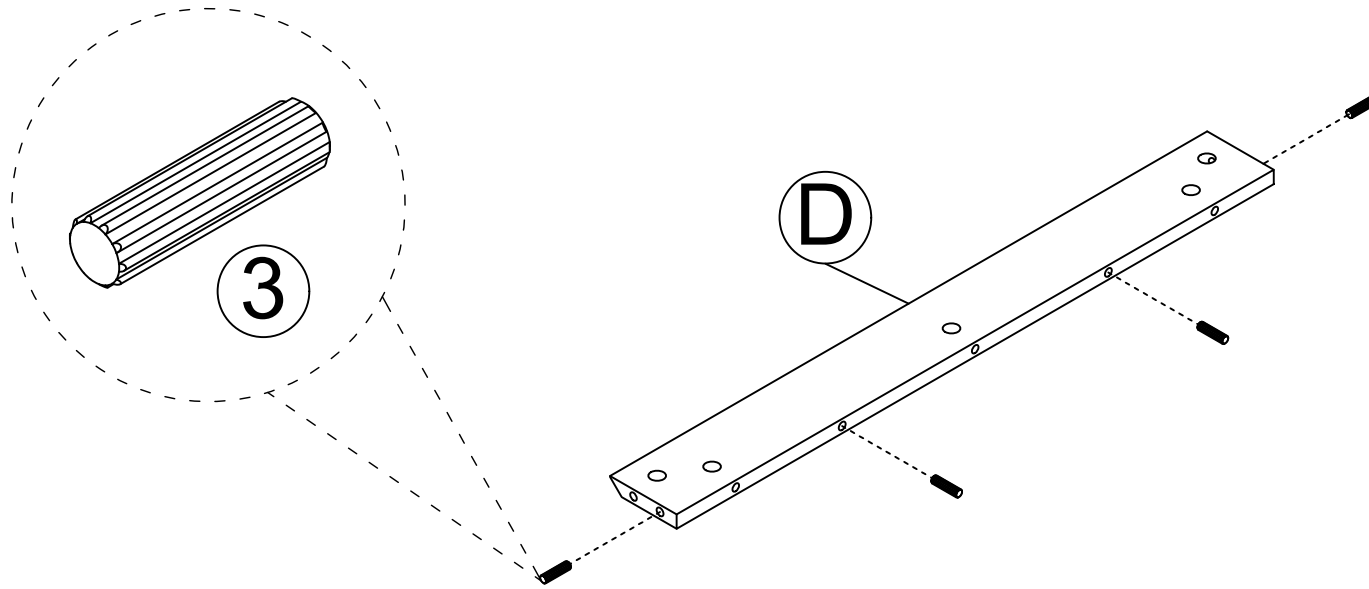
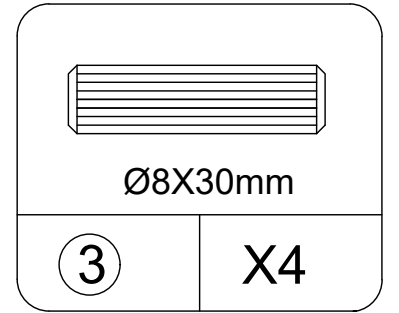
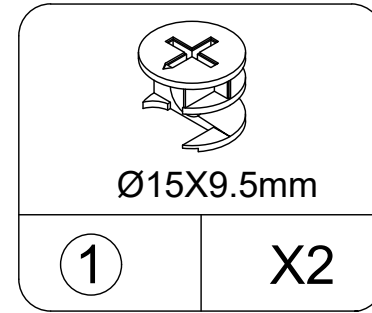
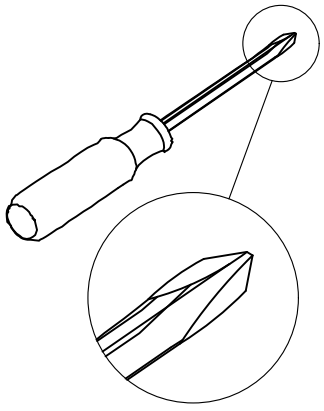
STEP 1



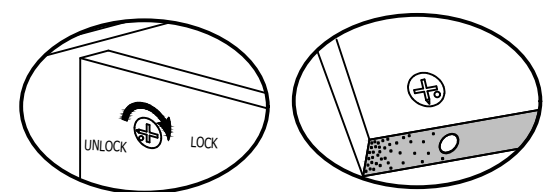
X2



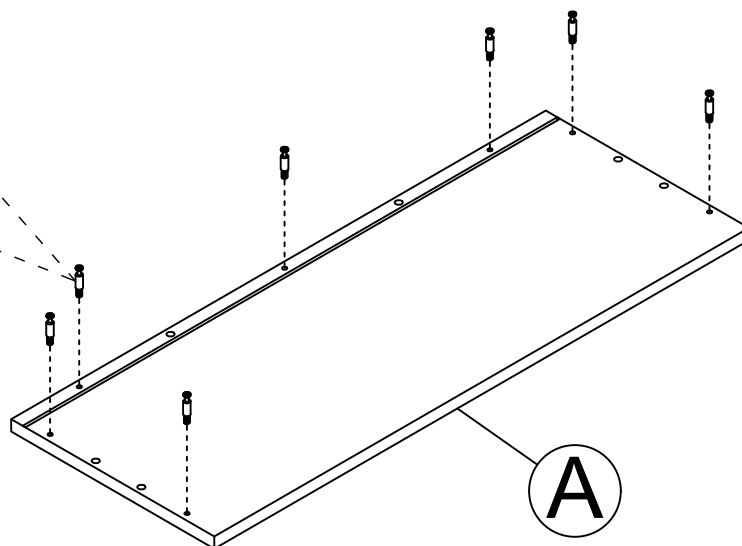
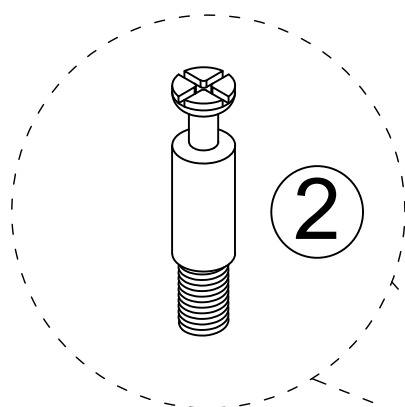
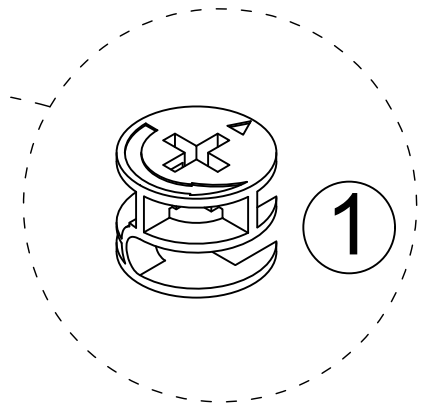
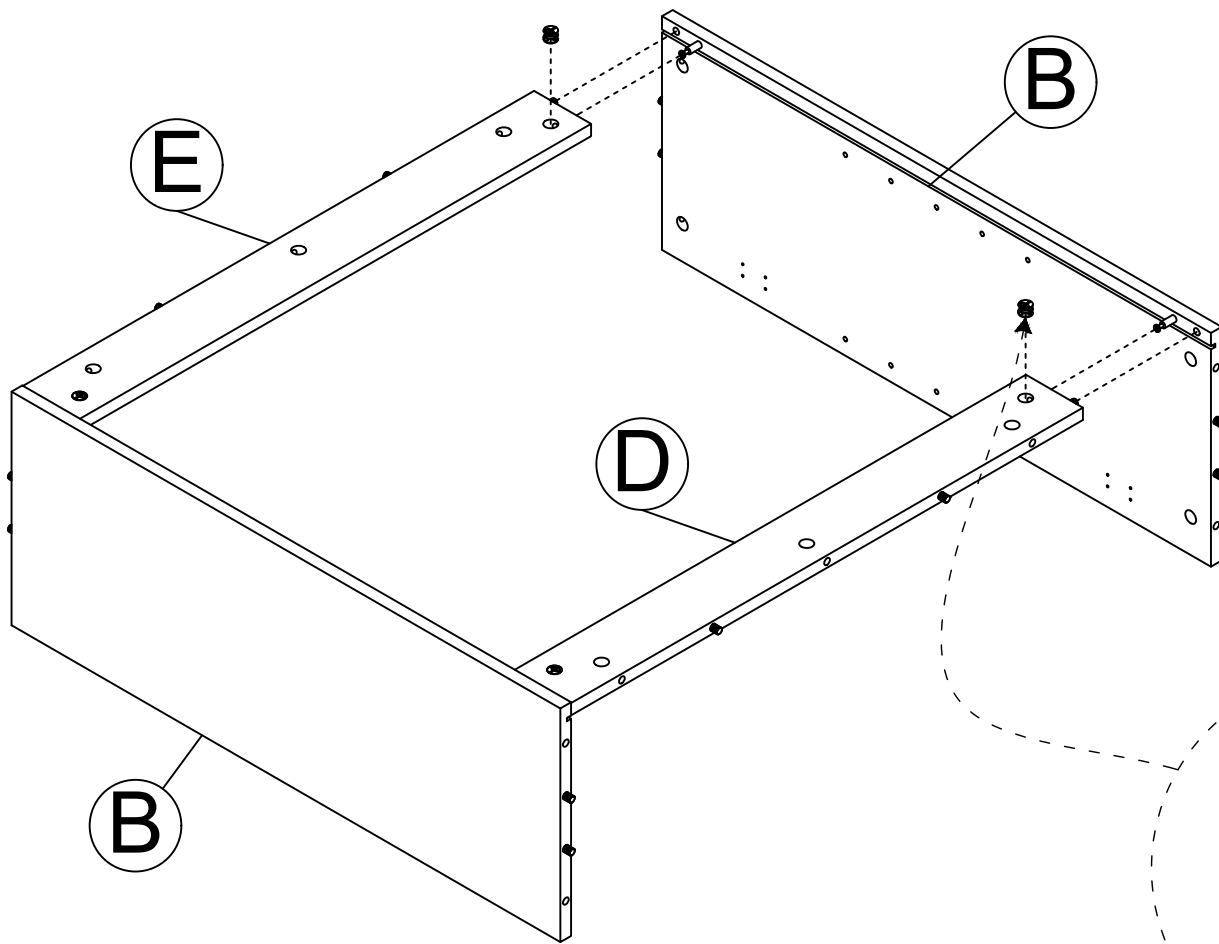
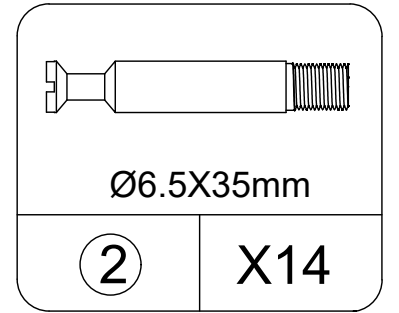
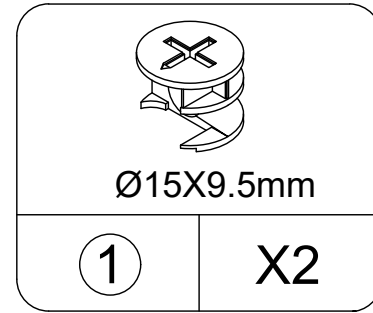
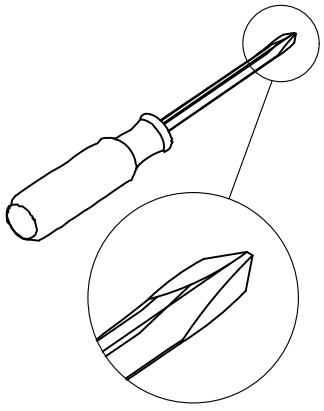
STEP 2



Insert the cam bolt into the hole first, then insert the cam lock and lock it.

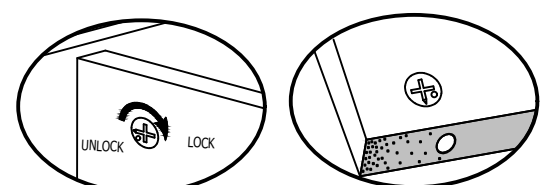
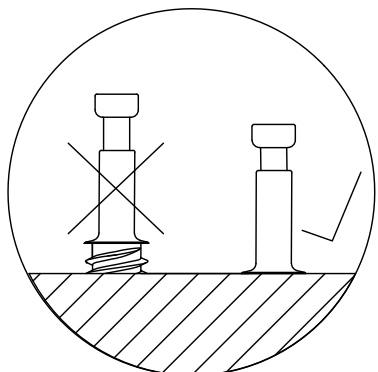


STEP 3



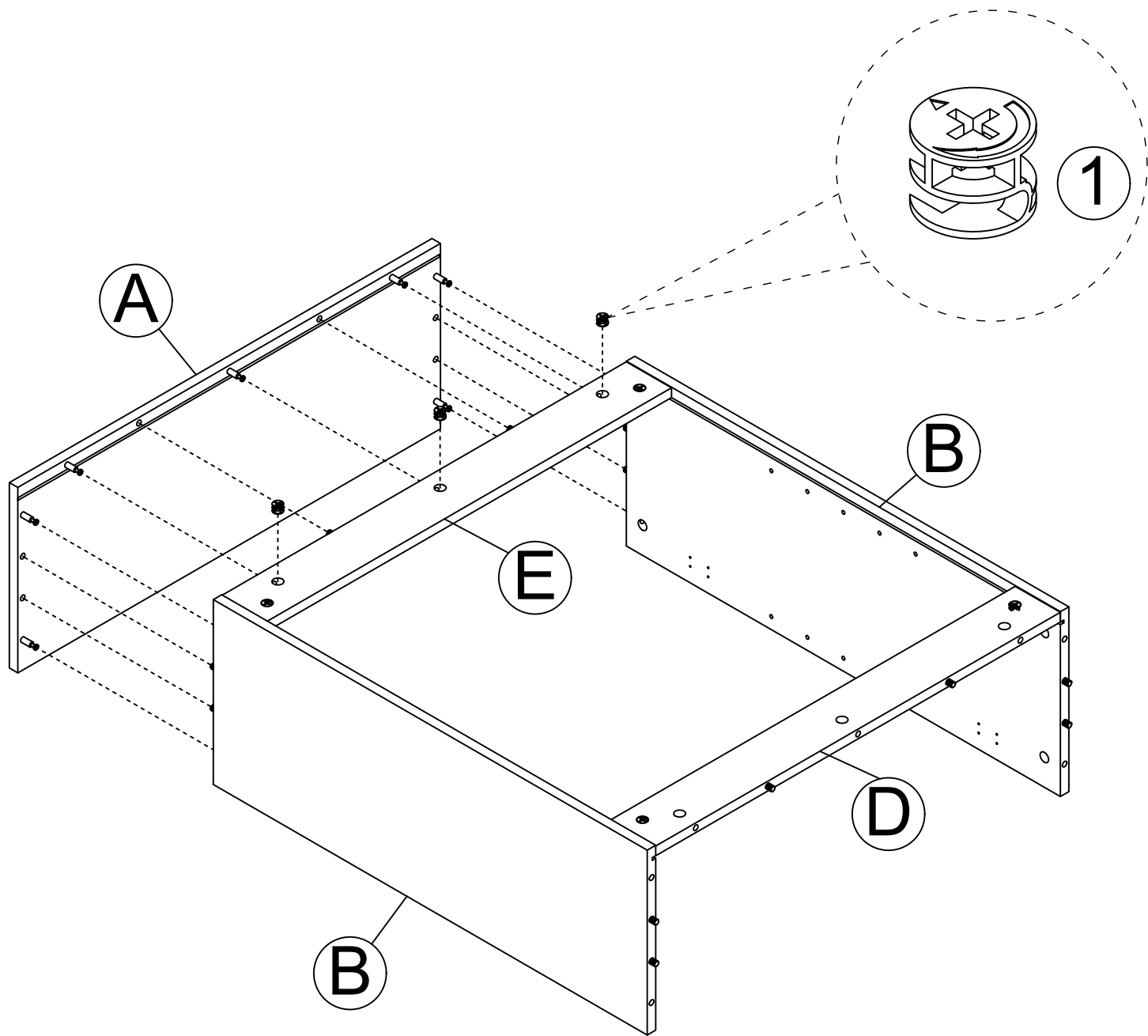
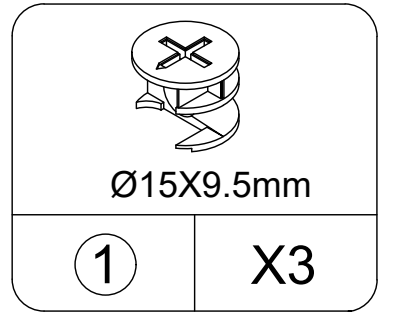
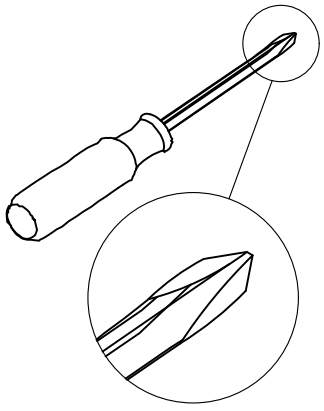
X2

Insert the cam bolt into the hole first, then insert the cam lock and lock it.

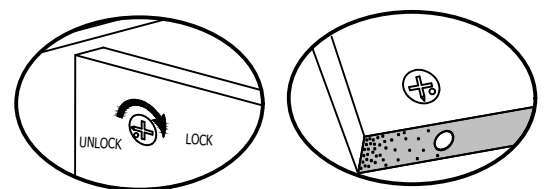


Proper orientation of CAM LOCK

STEP4

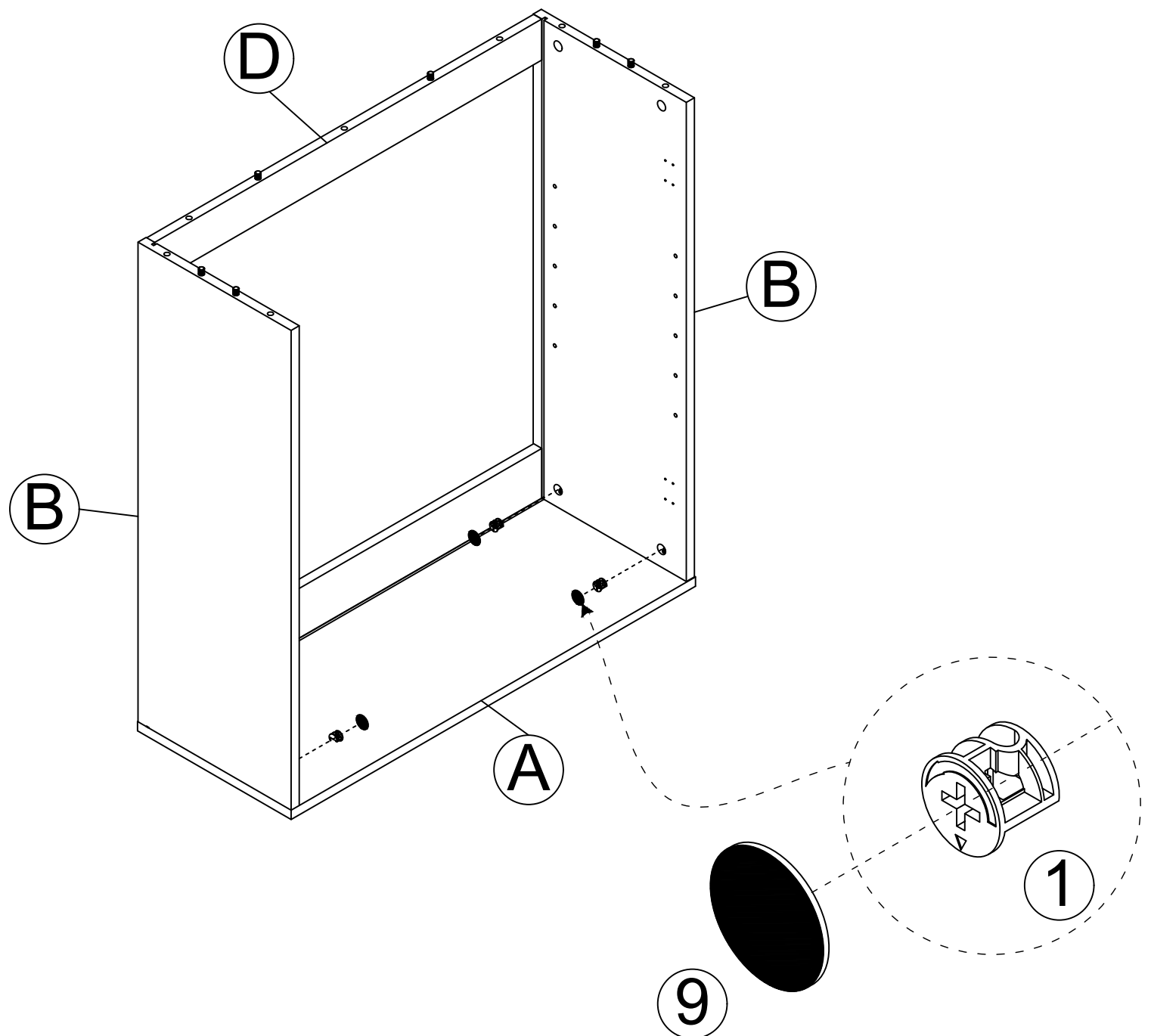
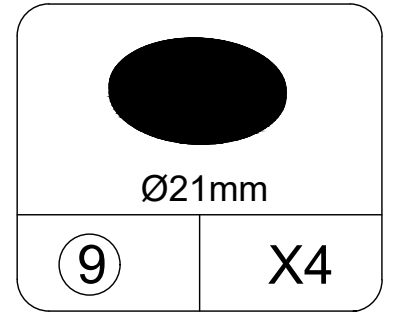
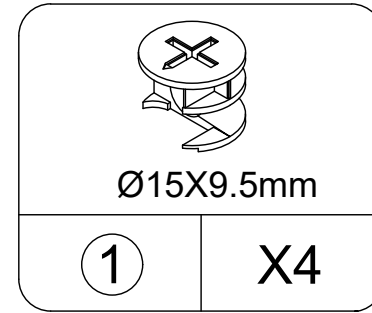
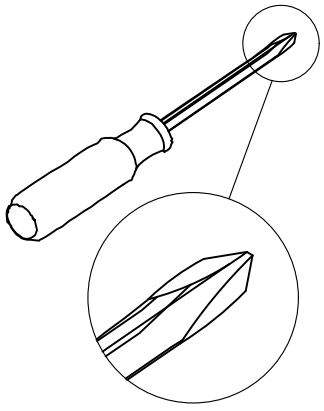


Insert the cam bolt into the hole first, then insert the cam lock and lock it.

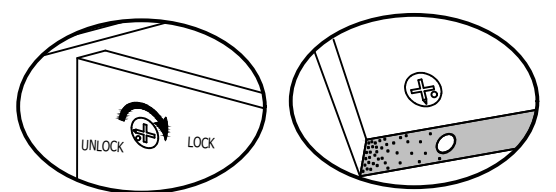


Proper orientation of CAM LOCK

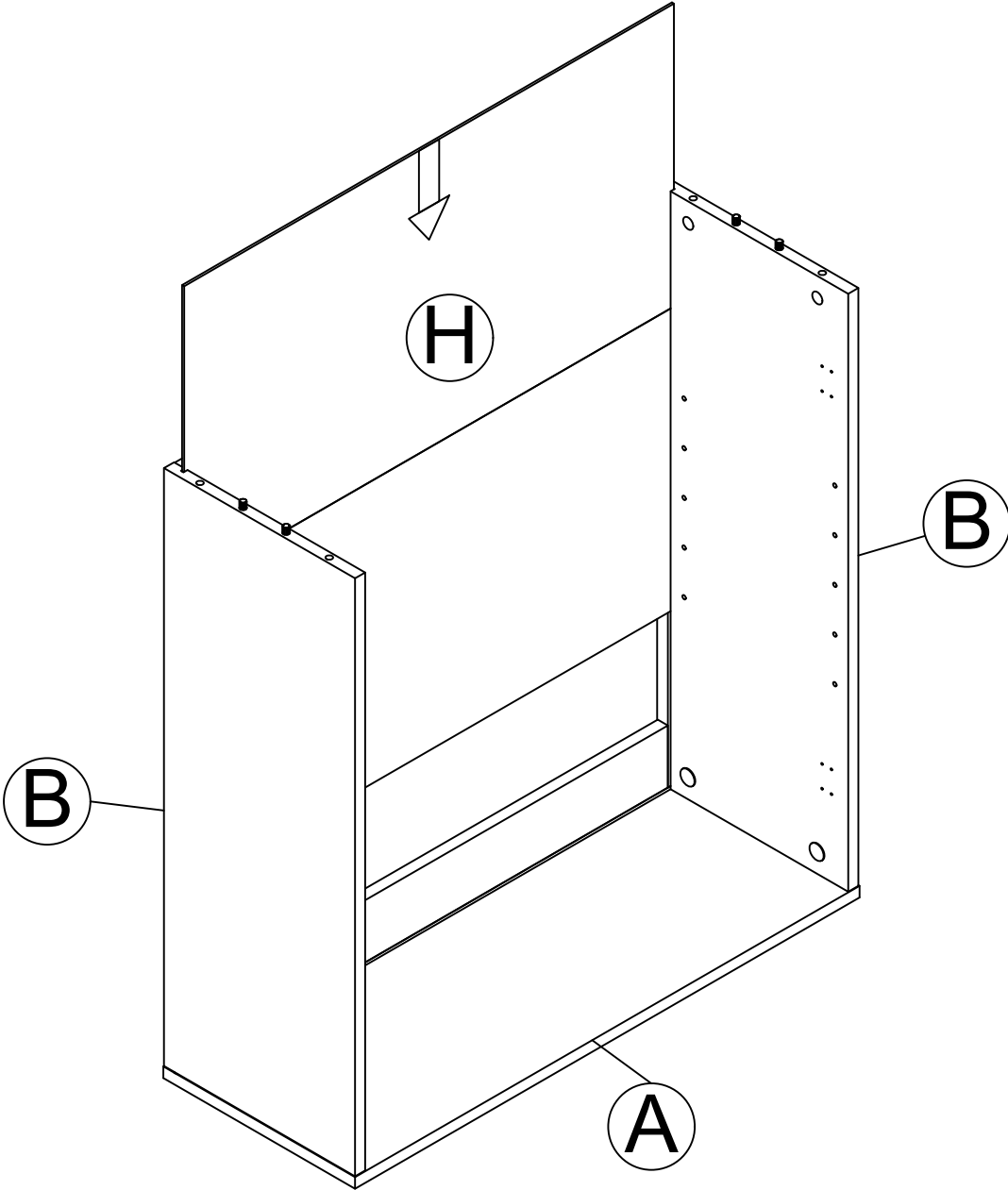
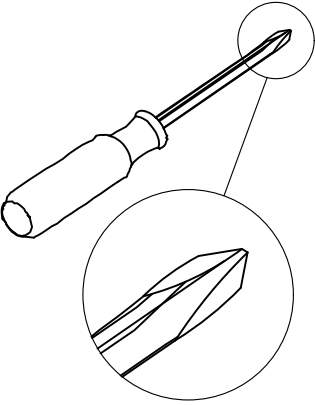
STEP 5



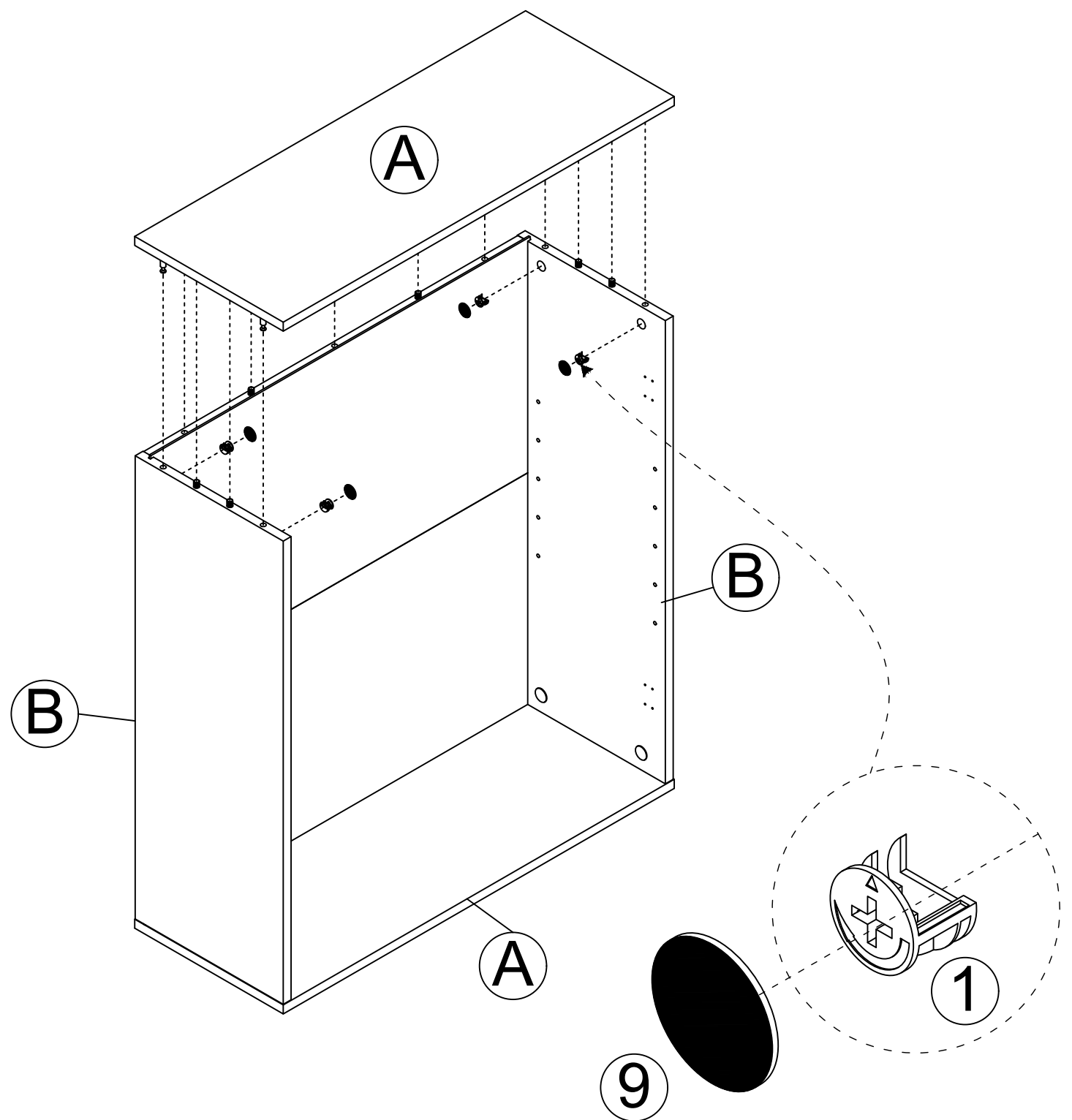
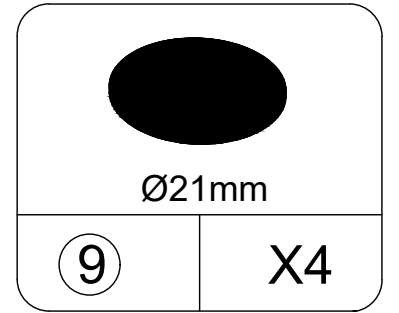
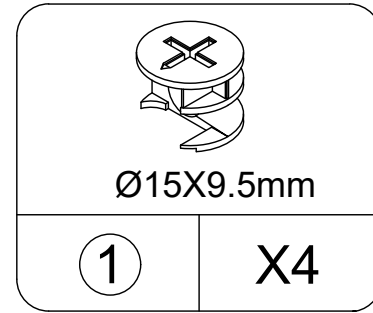
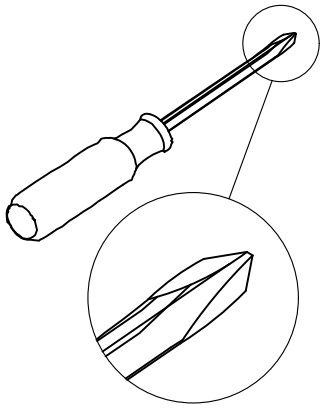
Insert the cam bolt into the hole first, then insert the cam lock and lock it.



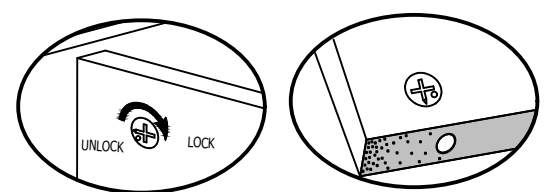
STEP 6



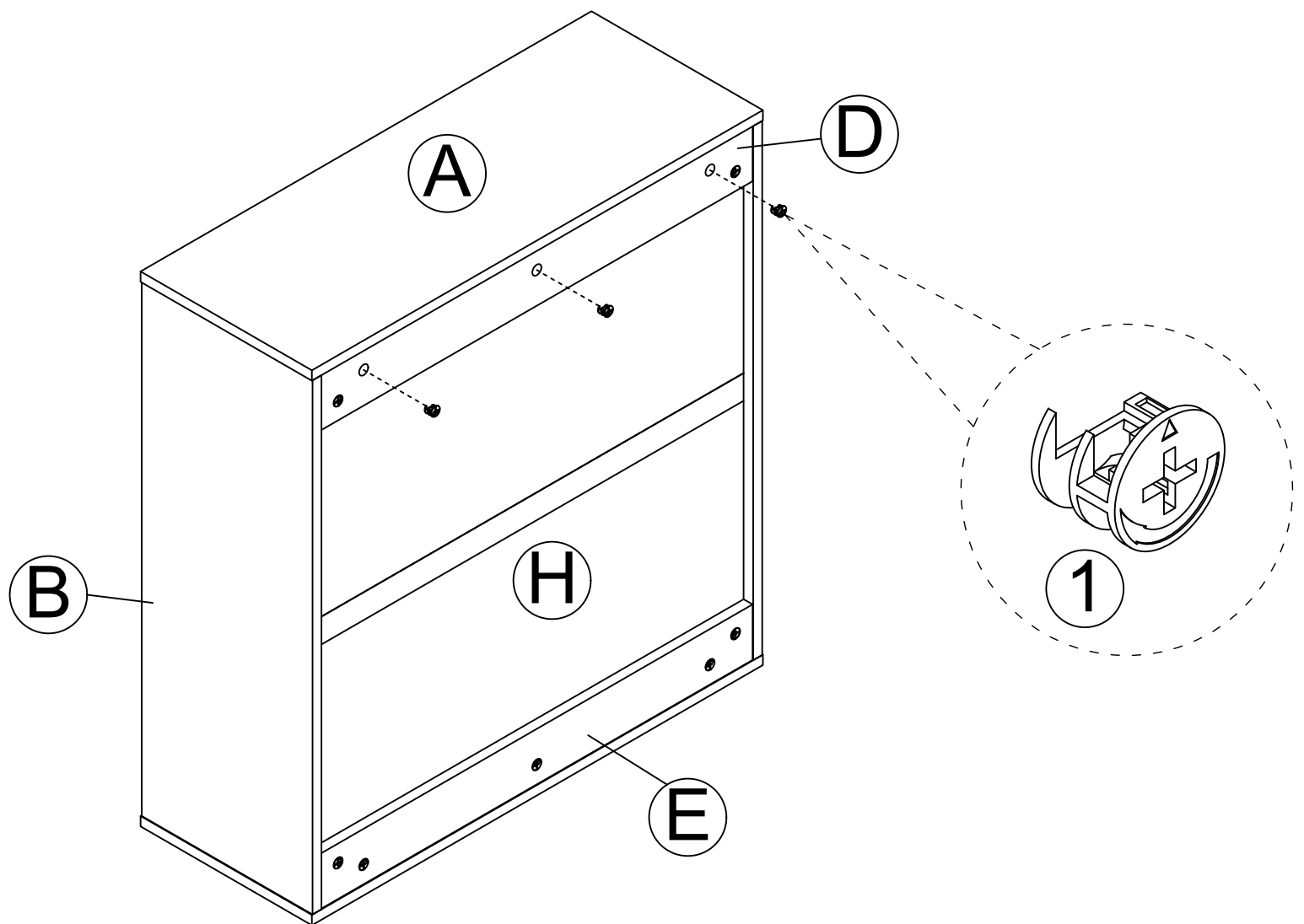
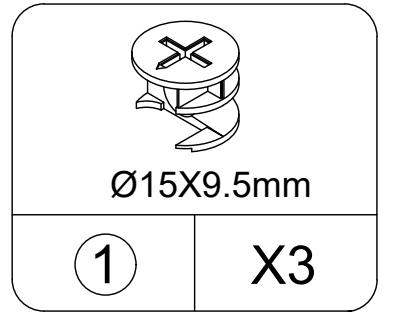
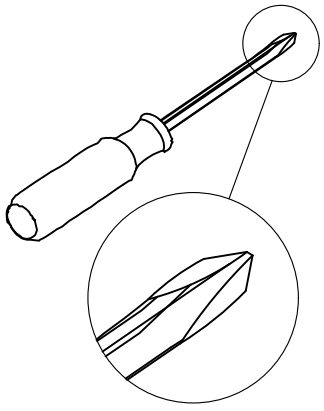
STEP 7



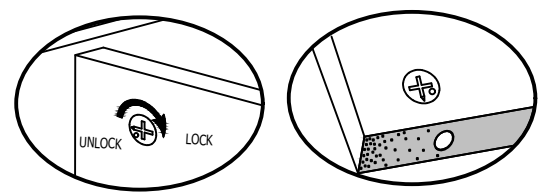
Insert the cam bolt into the hole first, then insert the cam lock and lock it.



STEP 8

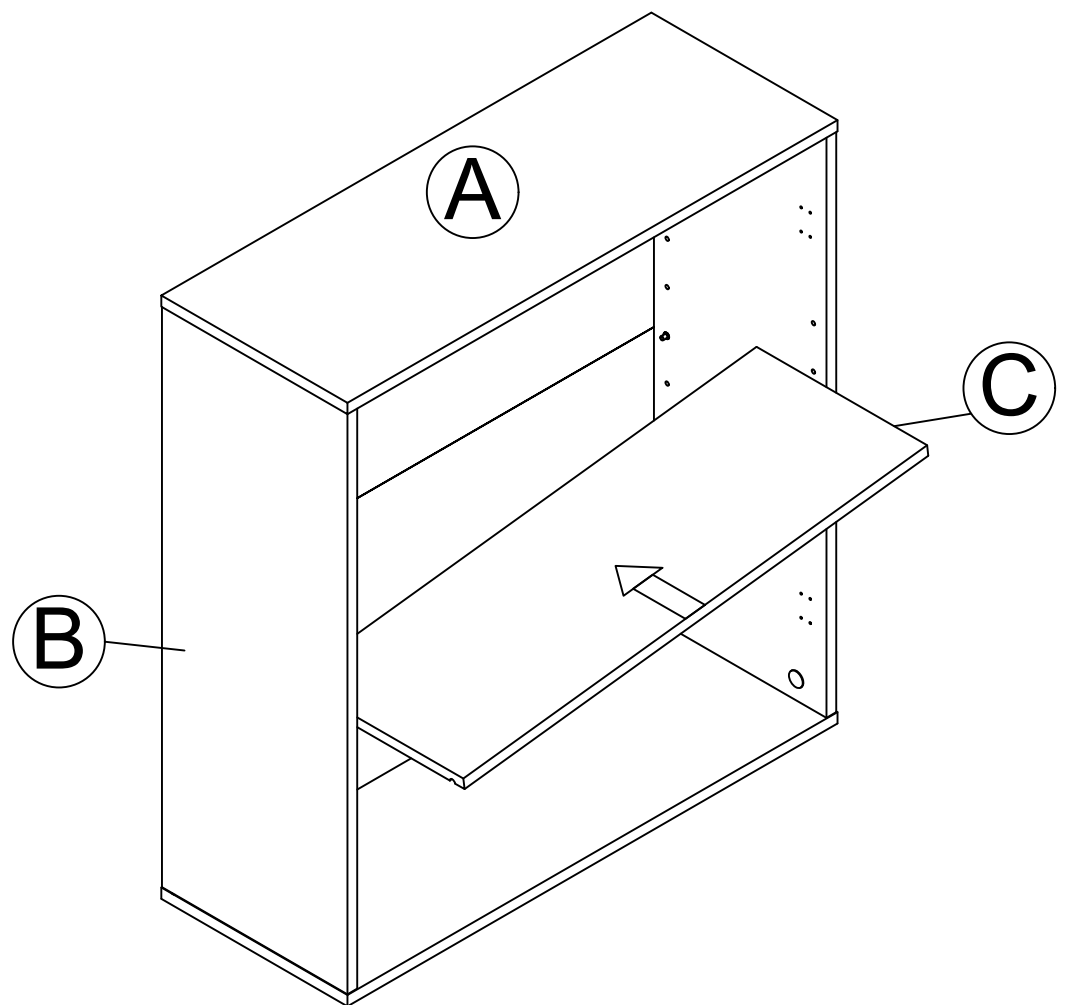
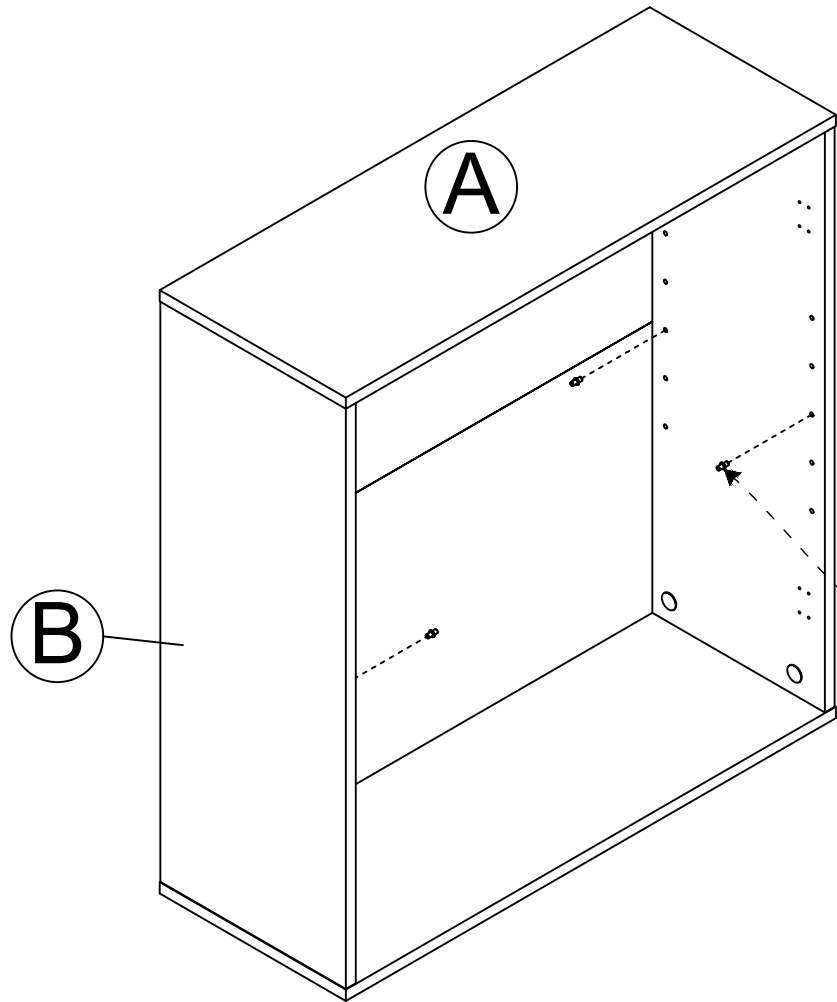
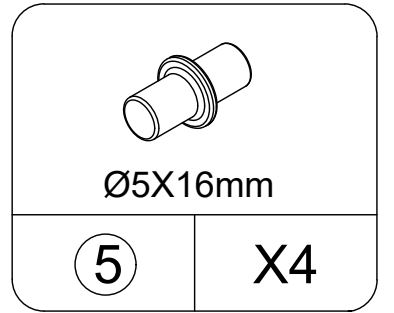
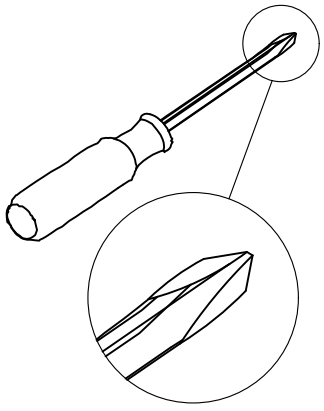


Insert the cam bolt into the hole first, then insert the cam lock and lock it.

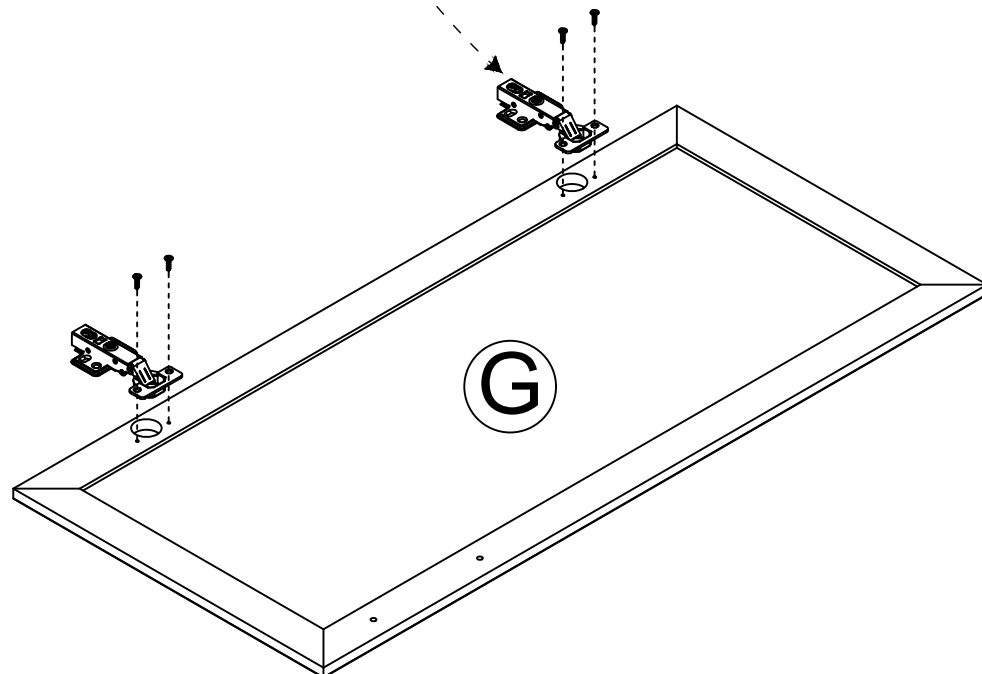
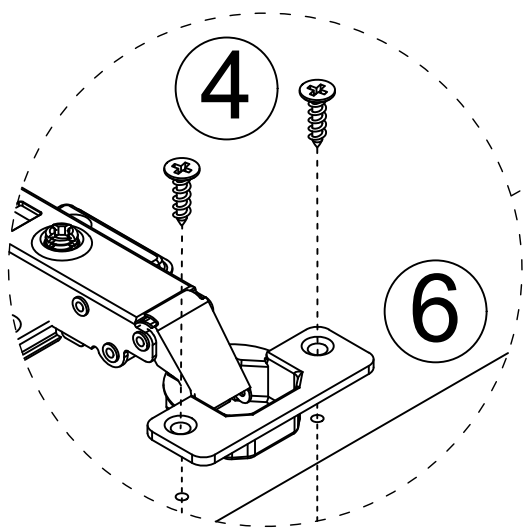
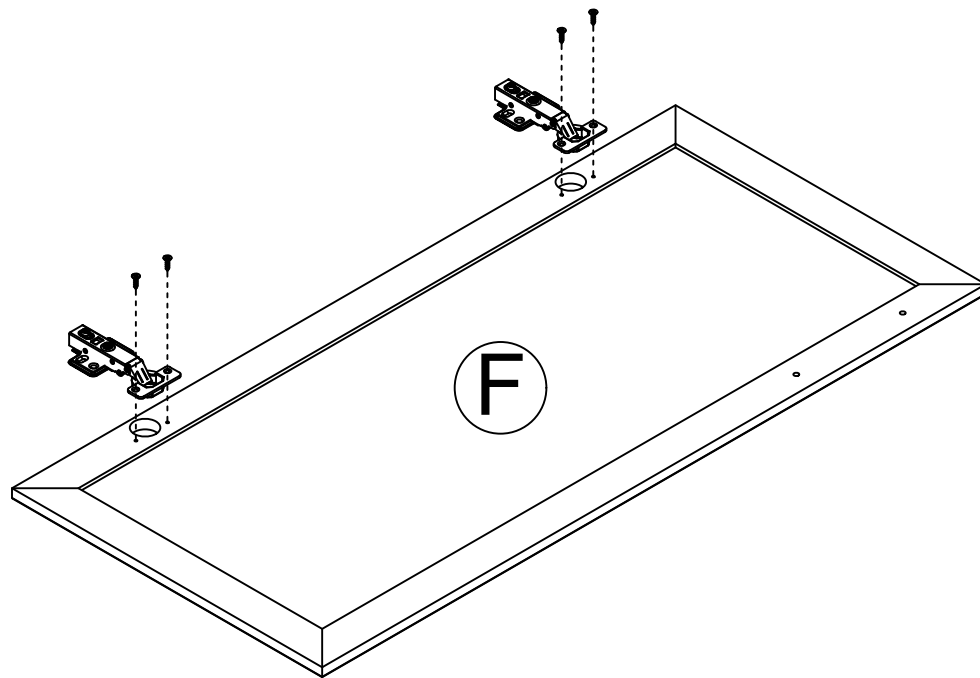
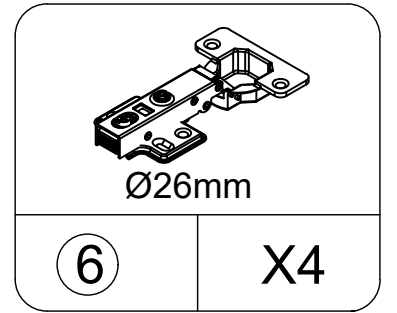
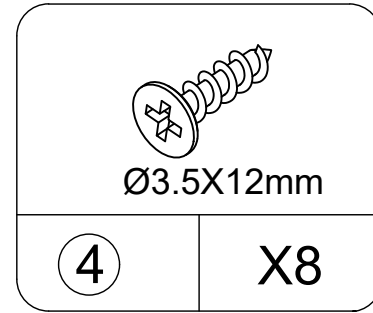
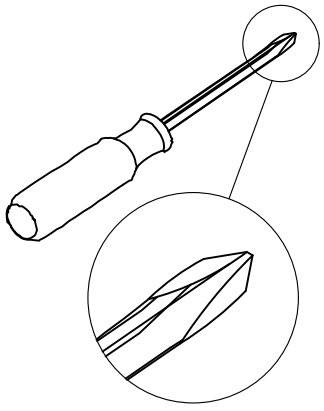


Proper orientation of CAM LOCK

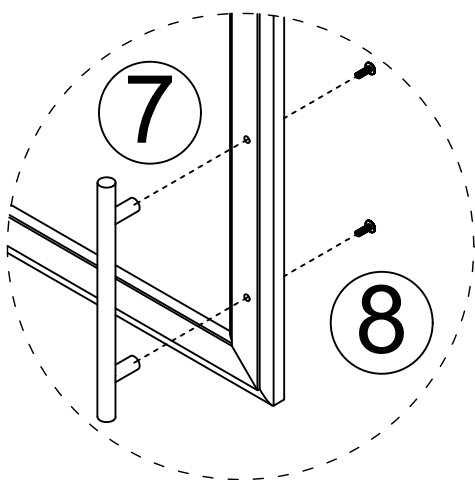
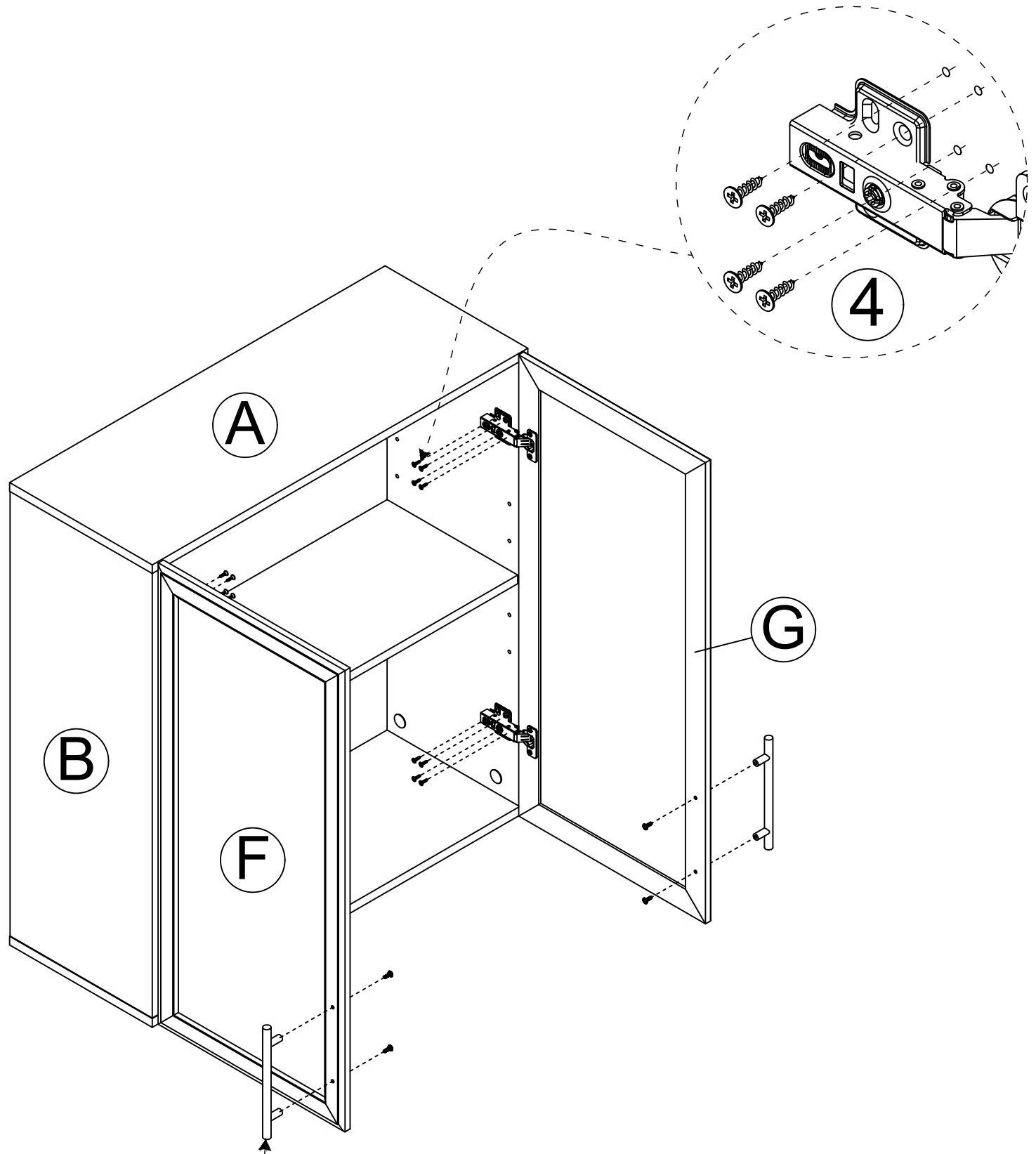
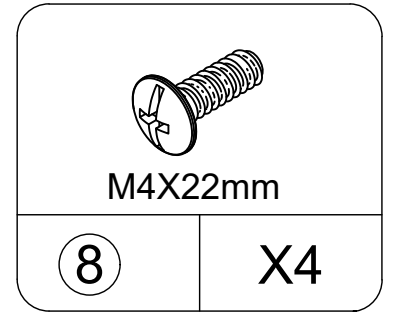
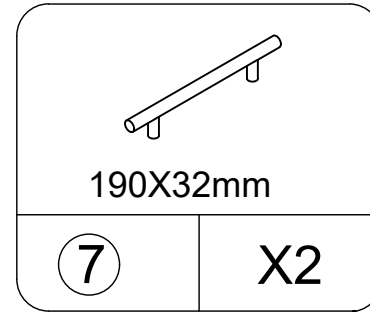
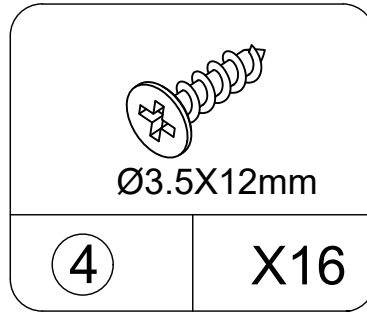
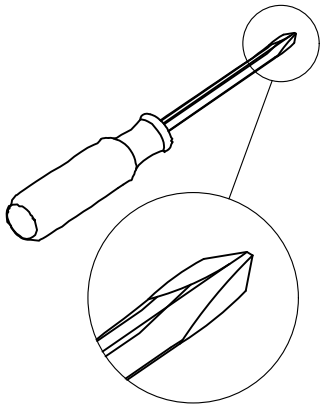
STEP 9



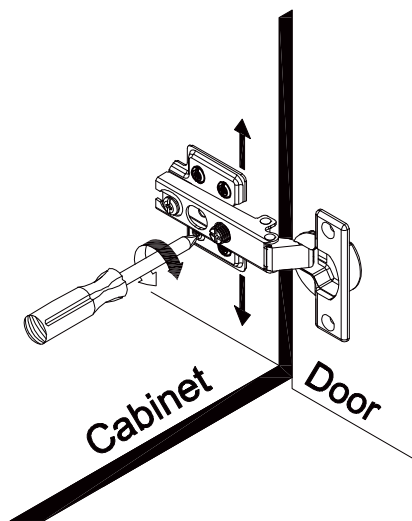
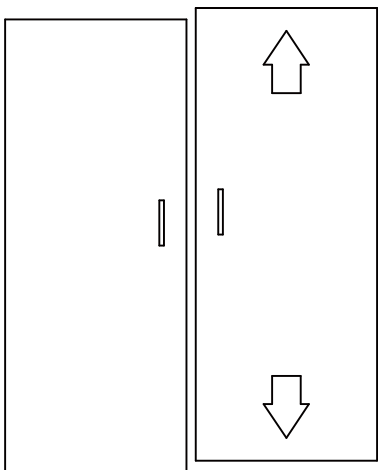
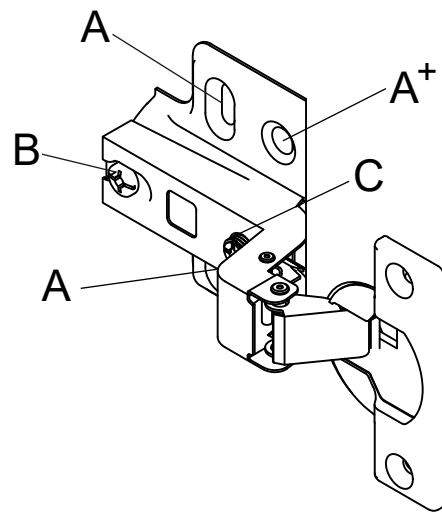
STEP10



STEP 11

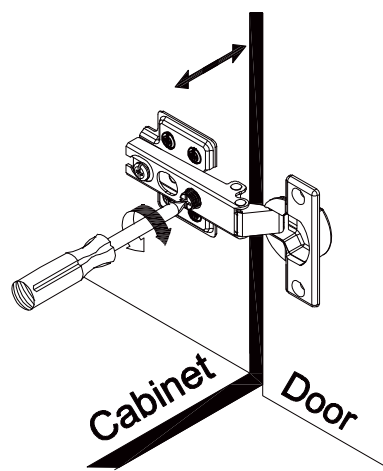
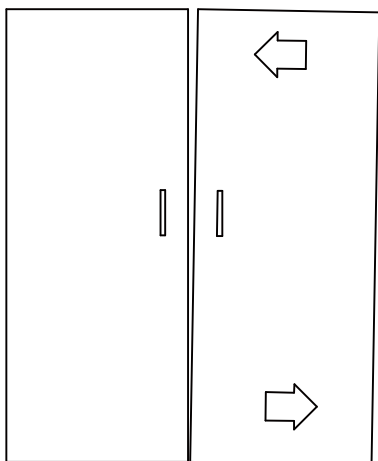


STEP12



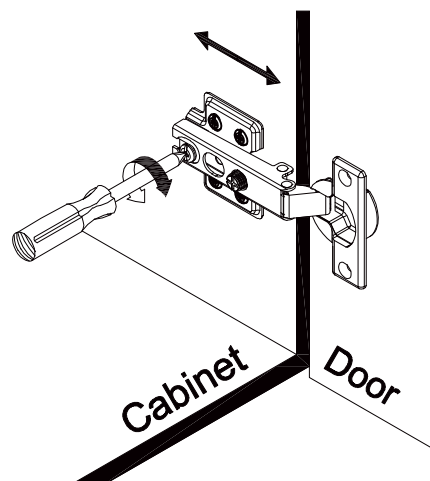
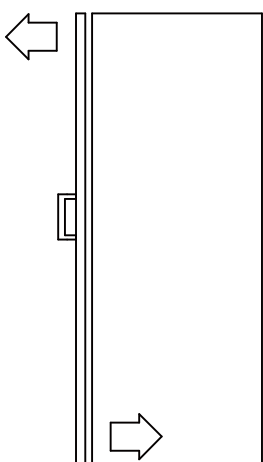
[How to adjust vertical height of the door]

- First remove the 2 screws "A+" on the hinge.
- Then loosen the 2 screws "A" on the hinge so that it can be adjusted up or down a few millimeters.
- Then tighten "A" and reinstall "A+".



[How to adjust the level of the door]

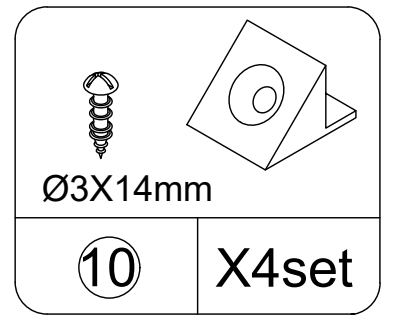
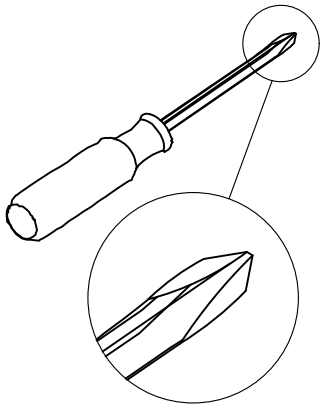
- Turn screw "C" on hinge to adjust the level of the door.



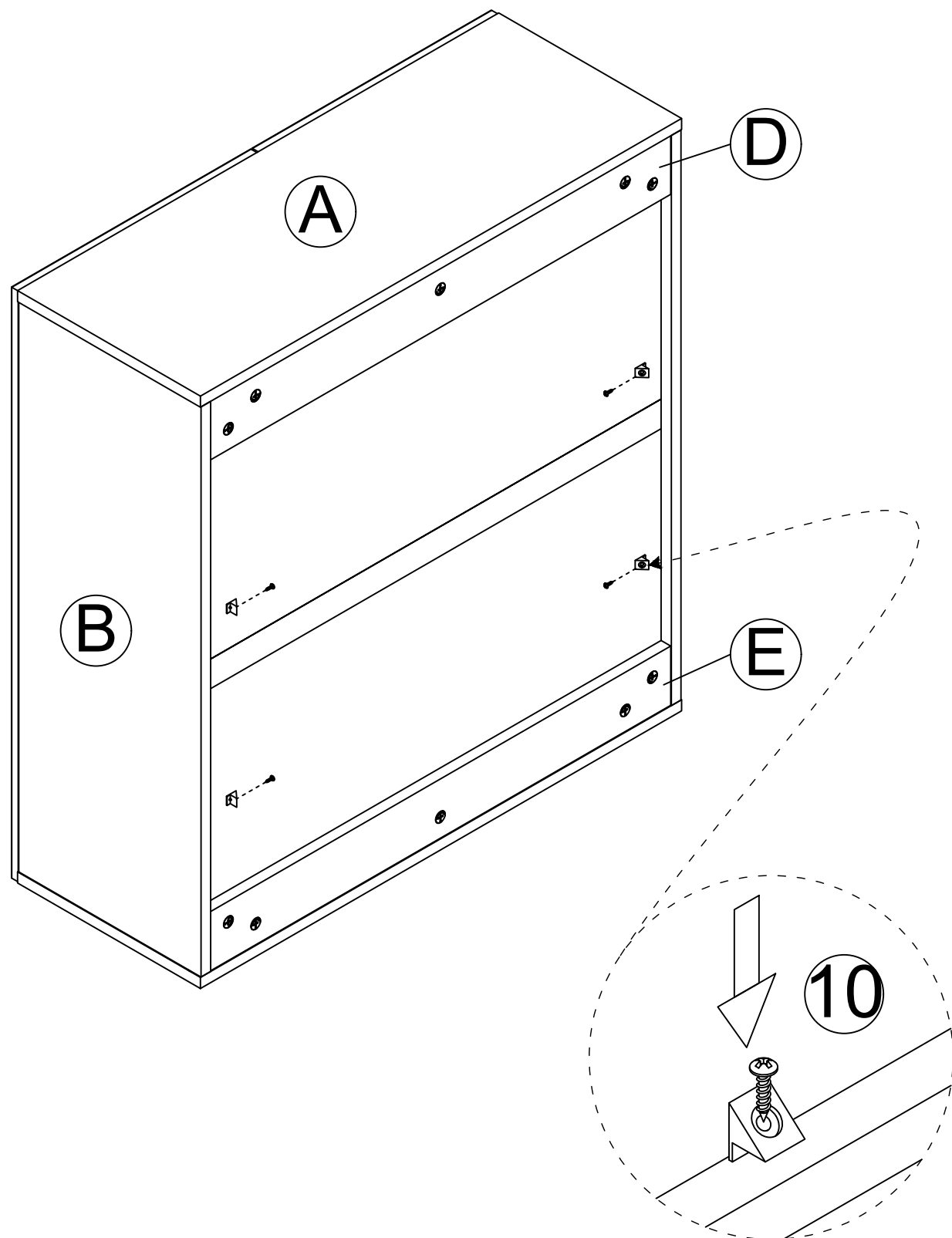
[How to adjust depth of the door]

- Loosen screw "B" and adjust the depth of the door.
- If screw "B" is loose, the depth of the door still cannot be adjusted. Simply loosen the screw "C" slightly to adjust the position of the door forward and backward.
- After adjusting the position, tighten screw "B" last.

STEP13

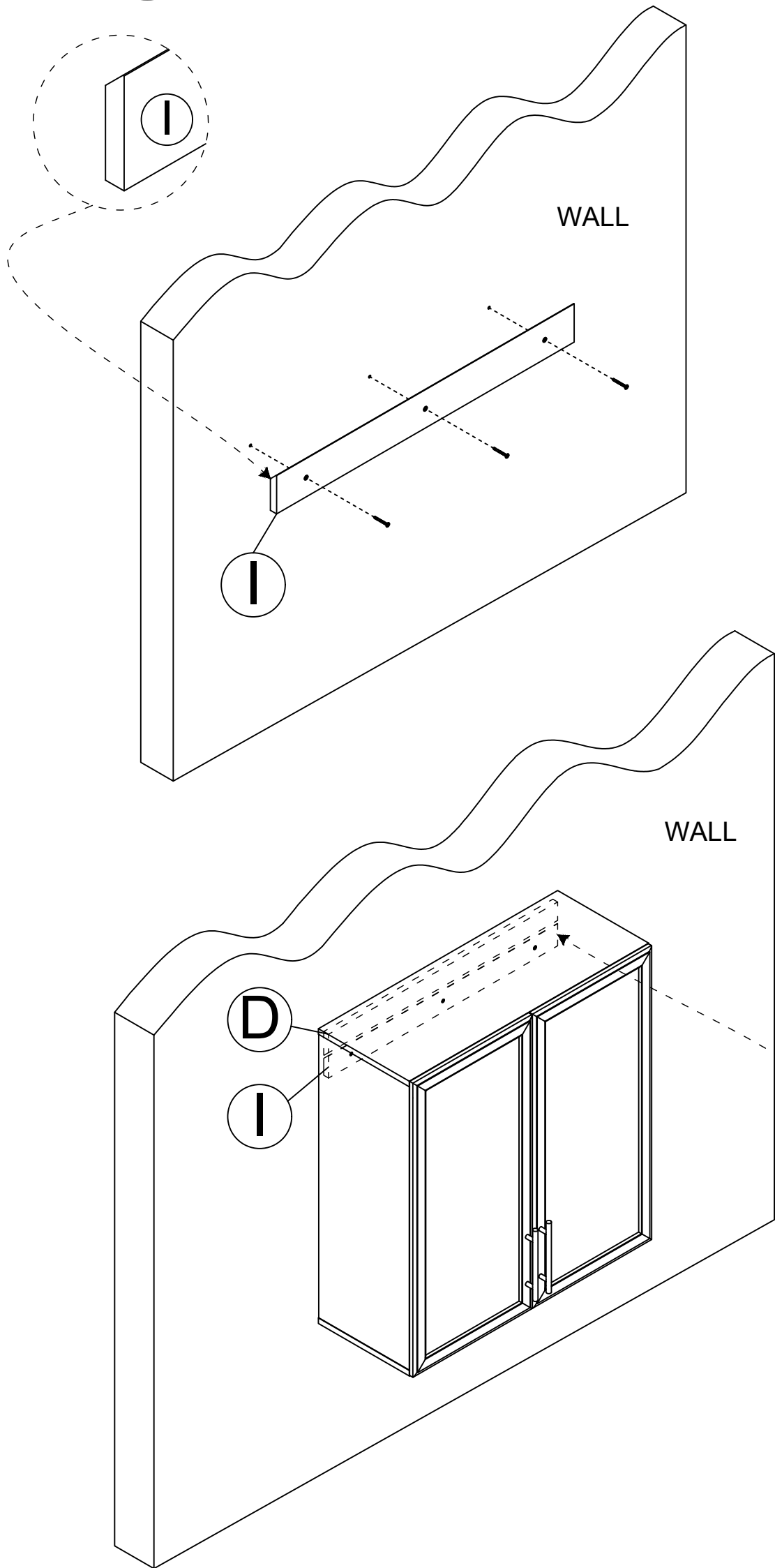
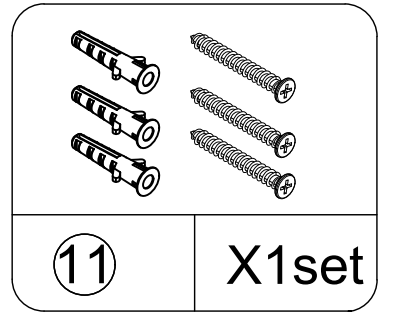
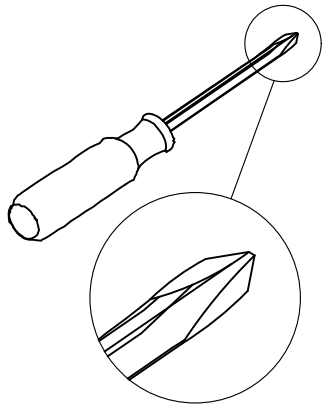


Note that the upper back panel is installed in a downward position, leaving an appropriate installation distance for the upper wall panel.



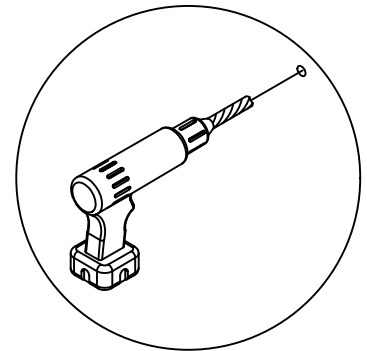
Insert the plastic buckle into the back plate slot, screw through the hole in the plastic buckle and lock it in place.

STEP14



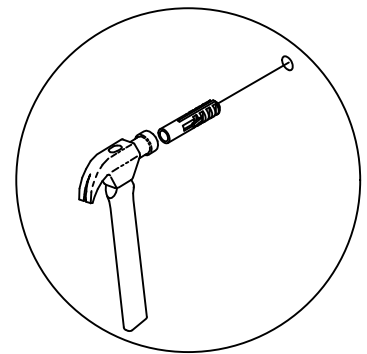
STEP1

Set the hole position near the wall



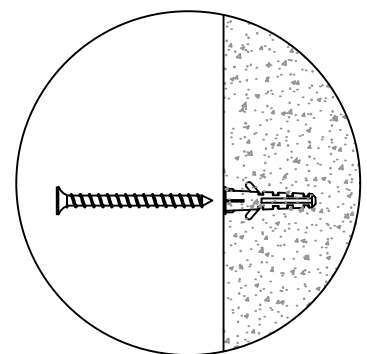
STEP2

Put the embedded part into the hole



STEP3

Put the screw part into the hole



cabinet body back alignment
plate I inserted

