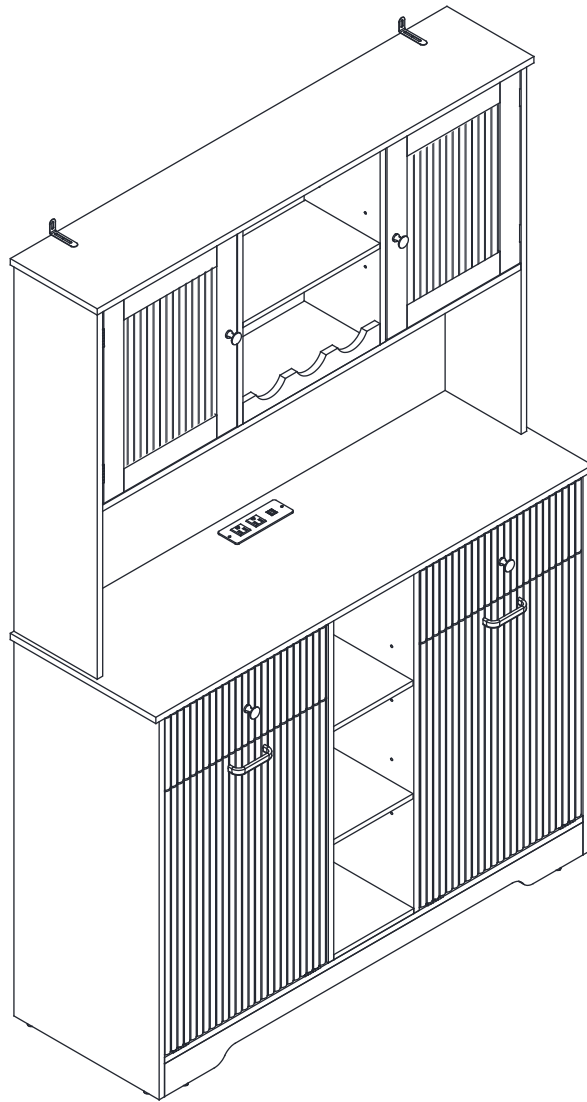


ASSEMBLY INSTRUCTIONS

120cm



⚠ SAFETY TIPS:

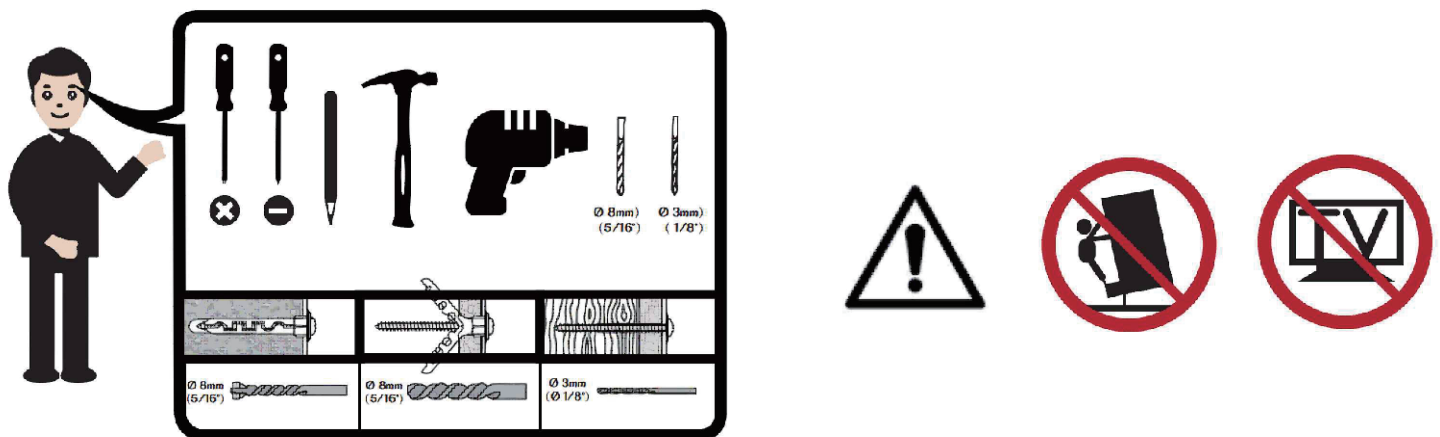
Static charge may cause dust on foam-clean with a dry or damp cloth. Small foam strands may be present-handle gently and dispose of properly. Do not burn or incinerate. Check local recycling guideline.

Have an assembly question or need a replacement part?
Please contact with our customer service.

Warnings

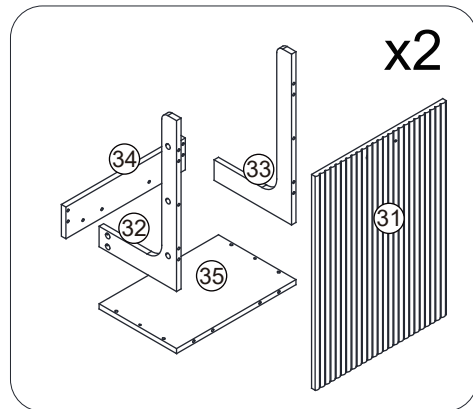
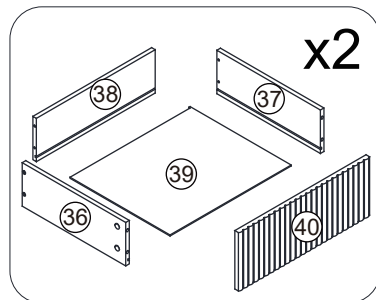
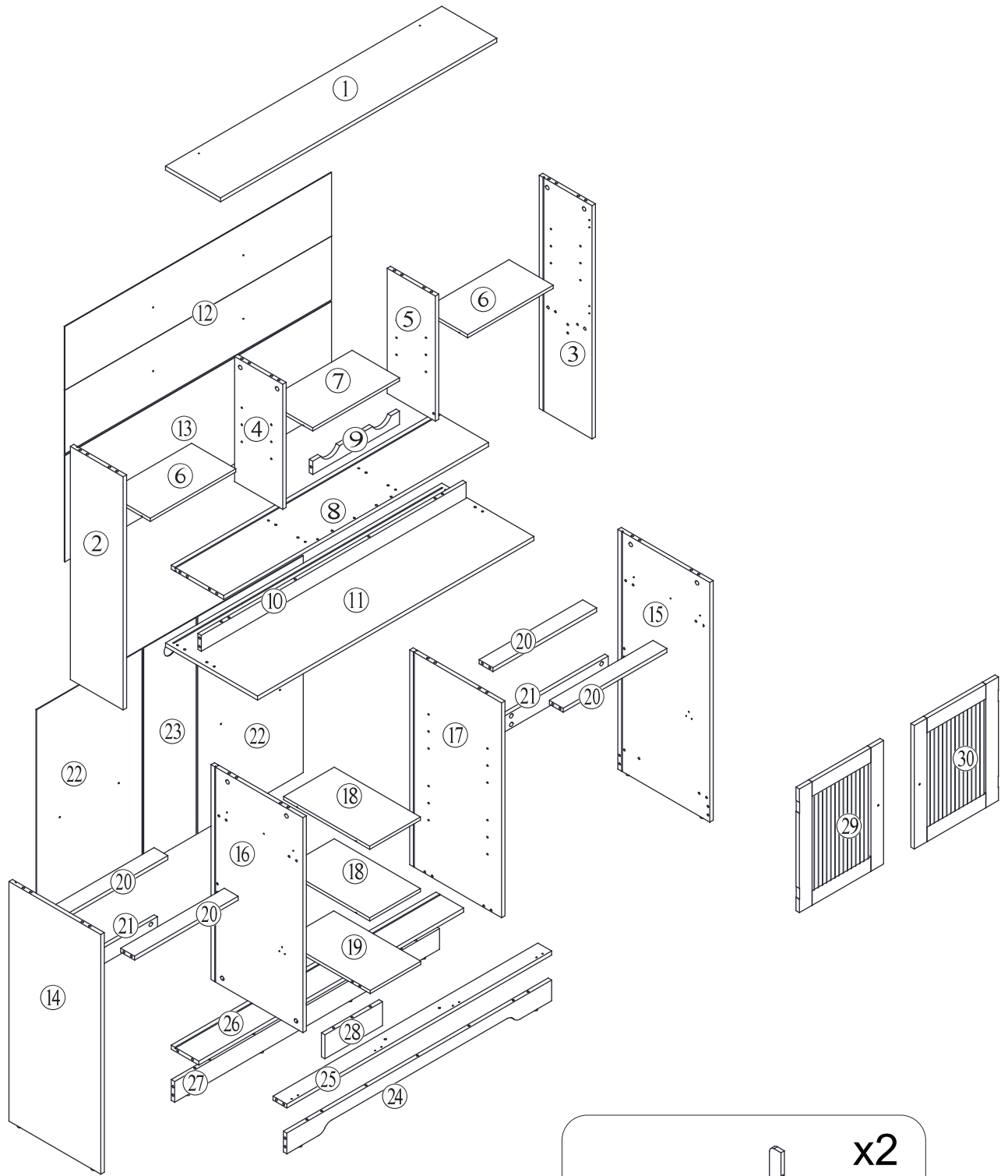
Important reminder:

- ⚠ Please sort and check all accessories before assembly.
- ⚠ Place the product on an empty cardboard box or on carpet to prevent scratches.
- ⚠ Please use proper tools for assembly. Using an electric screwdriver can accelerate the assembly speed, but please do not overtighten the screws.
- ⚠ Please follow the assembly steps and do not skip any of them.
- ⚠ If possible, please find a partner to help you with assembly, which can accelerate assembly.
- ⚠ Keep all small parts of this product away from children. They may cause serious injury.
- ⚠ We hope you can retighten the screws 2 weeks after assembly, and check the tightening procedure of the screws every 3 months.
If you meet any difficulty, our friendly customer team are always ready to help you.

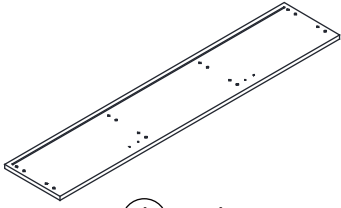


Warning: Overturning the product can cause serious crushing injuries. We have a wall connection device attached, please use it to hold the furniture following assembly instructions. Do not change the structure of this product in any way. Our products have been tested and meet any local sales specific security measures. We won't be responsible for any modifications, which may cause significant security risks.

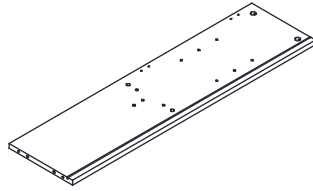
Explosion Diagram



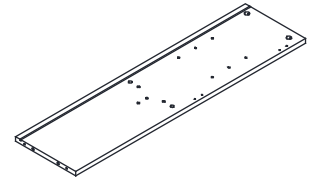
Parts List



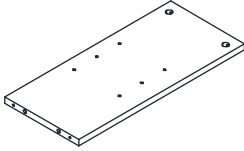
① x1



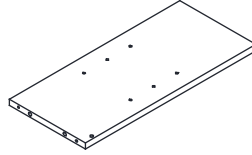
② x1



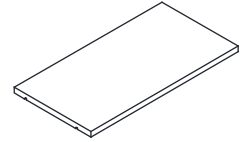
③ x1



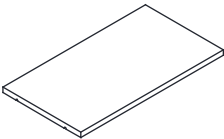
④ x1



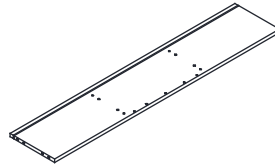
⑤ x1



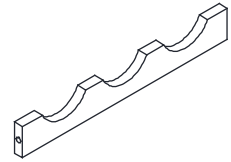
⑥ x2



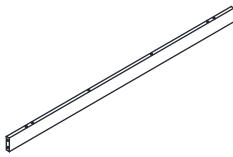
⑦ x1



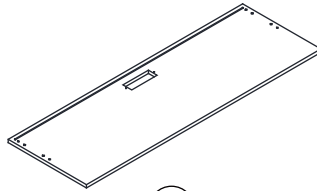
⑧ x2



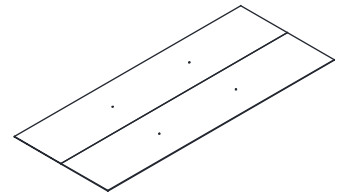
⑨ x1



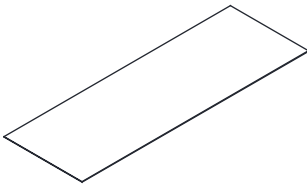
⑩ x1



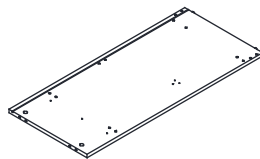
⑪ x1



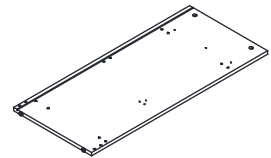
⑫ x1



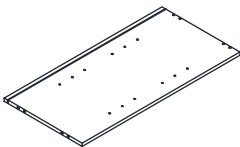
⑬ x1



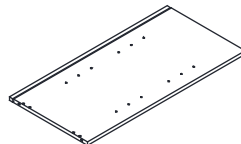
⑭ x1



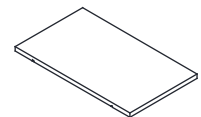
⑮ x1



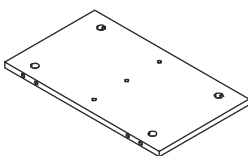
⑯ x1



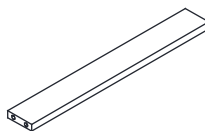
⑰ x1



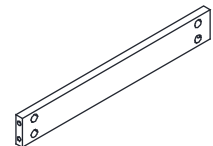
⑱ x2



⑲ x1

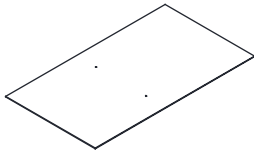


⑳ x4

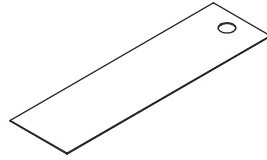


㉑ x2

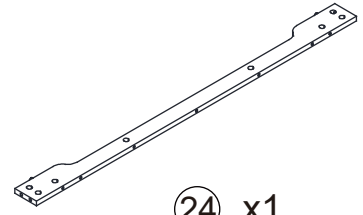
Parts List



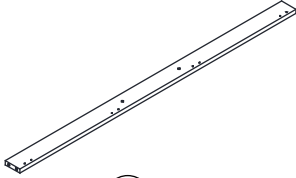
②② x2



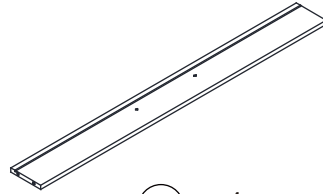
②③ x1



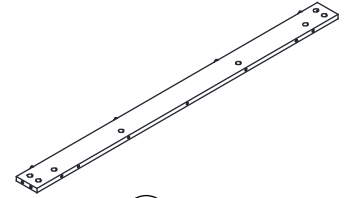
②④ x1



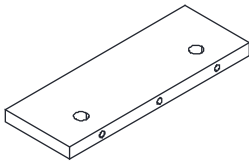
②⑤ x1



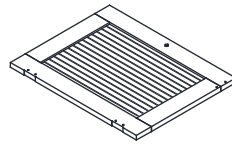
②⑥ x1



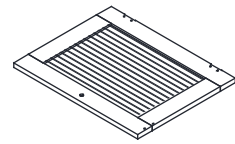
②⑦ x1



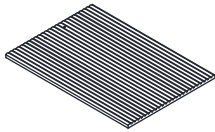
②⑧ x1



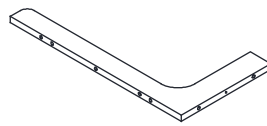
②⑨ x1



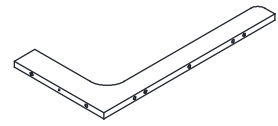
③⑩ x1



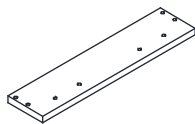
③① x2



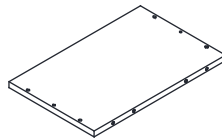
③② x2



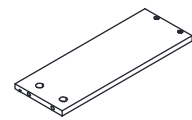
③③ x2



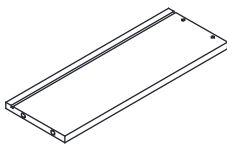
③④ x2



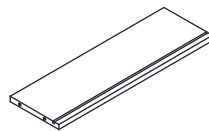
③⑤ x2



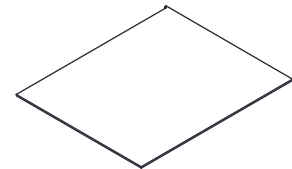
③⑥ x2



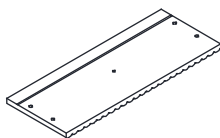
③⑦ x2



③⑧ x2



③⑨ x2



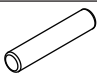









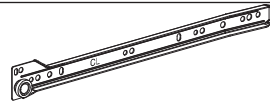
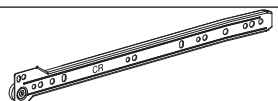
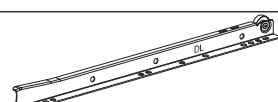
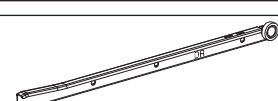
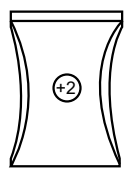
④⑩ x2

Hardware List

No.	Code	Diagram	Description	Quantity	Spare
1	A			110	2
2	A1		Ø15 x 9.5 mm	110	2
3	B1		Ø3.5 x 12 mm	96	2
4	B2		Ø3 x 14 mm	8	
5	B3		Ø3 x 14 mm	4	
6	B4		Ø4 x 30 mm	15	2
7	B5		Ø5 x 40 mm	8	2
8	C1		Ø7 x 30 mm	81	
9	C2			2	
			M4 x 16 mm	2	
10	C3			2	
			M4 x 18 mm	2	
11	C4			2	
			M4 x 18 mm	2	2
12	C5			1	
13	C6			8	
14	C7			110	
15	C8			4	

THE SPARE BAG INCLUDED EXTRA HARDWARE FOR DAMAGED OR MISSING SMALL HARDWARE WHILE YOU ARE ASSEMBLING

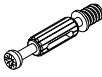

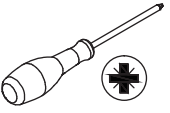
Hardware List

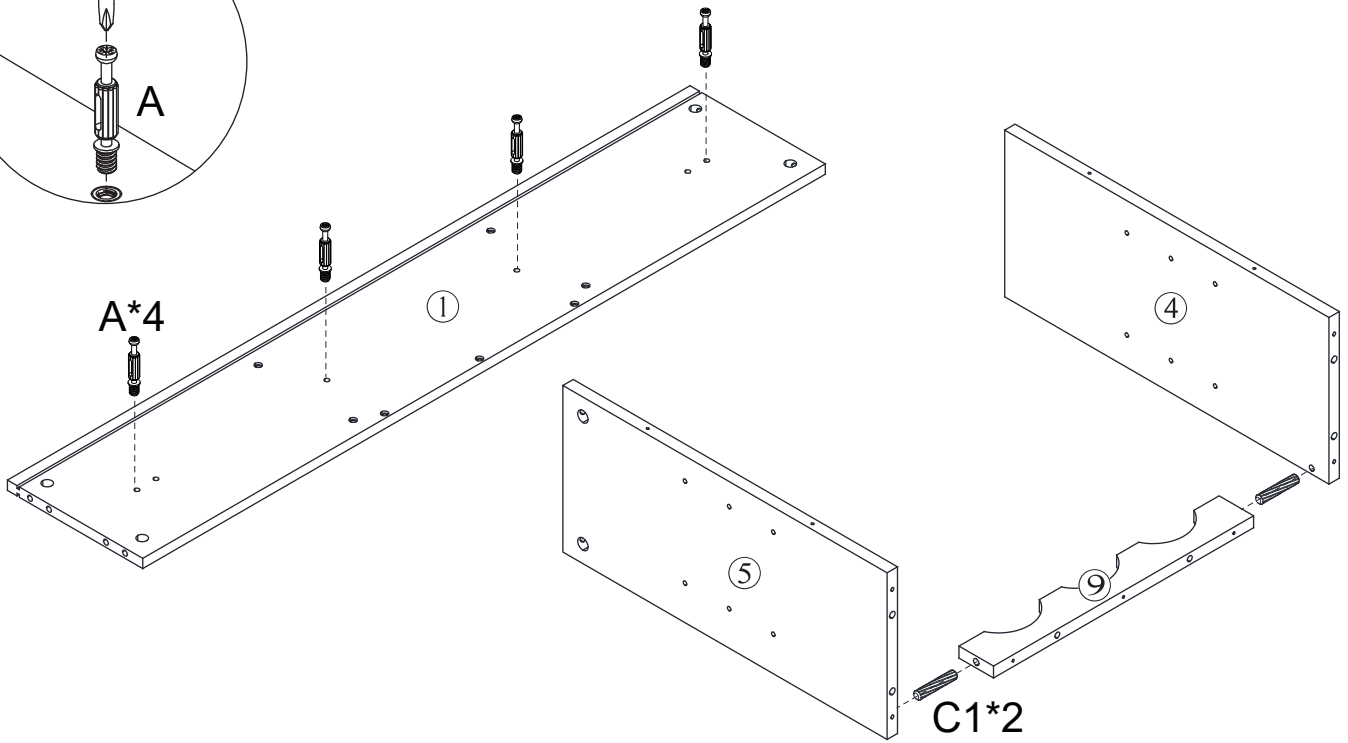
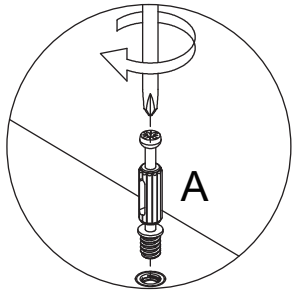
No.	Code	Diagram	Description	Quantity	Spare
16	C9			20	2
17	D1		Ø4 x 12 mm	2	
			Ø5 x 40 mm	2	
				2	
				2	
18	D2			40	
			Ø3 x 14 mm	40	2
19	D3			2	
20	PC			1	
21	ZCG			4	
22	CL		14" Slide (CL)	2	
23	CR		14" Slide (CR)	2	
24	DL		14" Slide (DL)	2	
25	DR		14" Slide (DR)	2	
26		 SPARE BAG	Please put the hardware of +2 in this self sealing bag.		

THE SPARE BAG INCLUDED EXTRA HARDWARE FOR DAMAGED OR MISSING SMALL HARDWARE WHILE YOU ARE ASSEMBLING


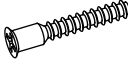
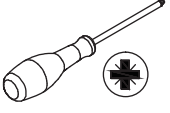

Assemble

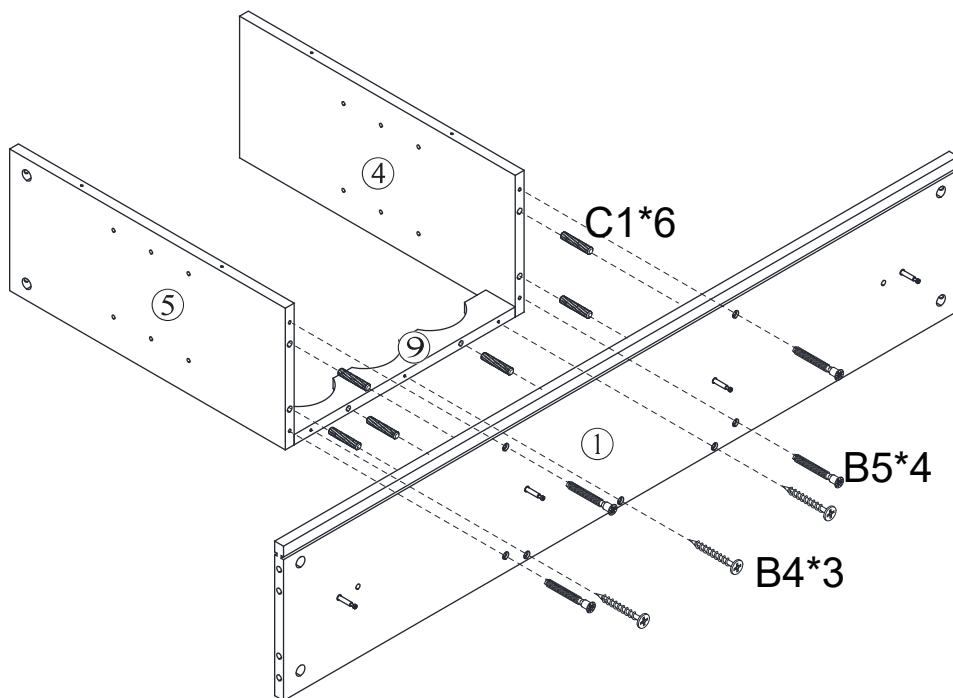
Step 1

				
A	4PCS	C1	2PCS	





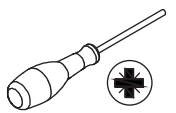
Step 2

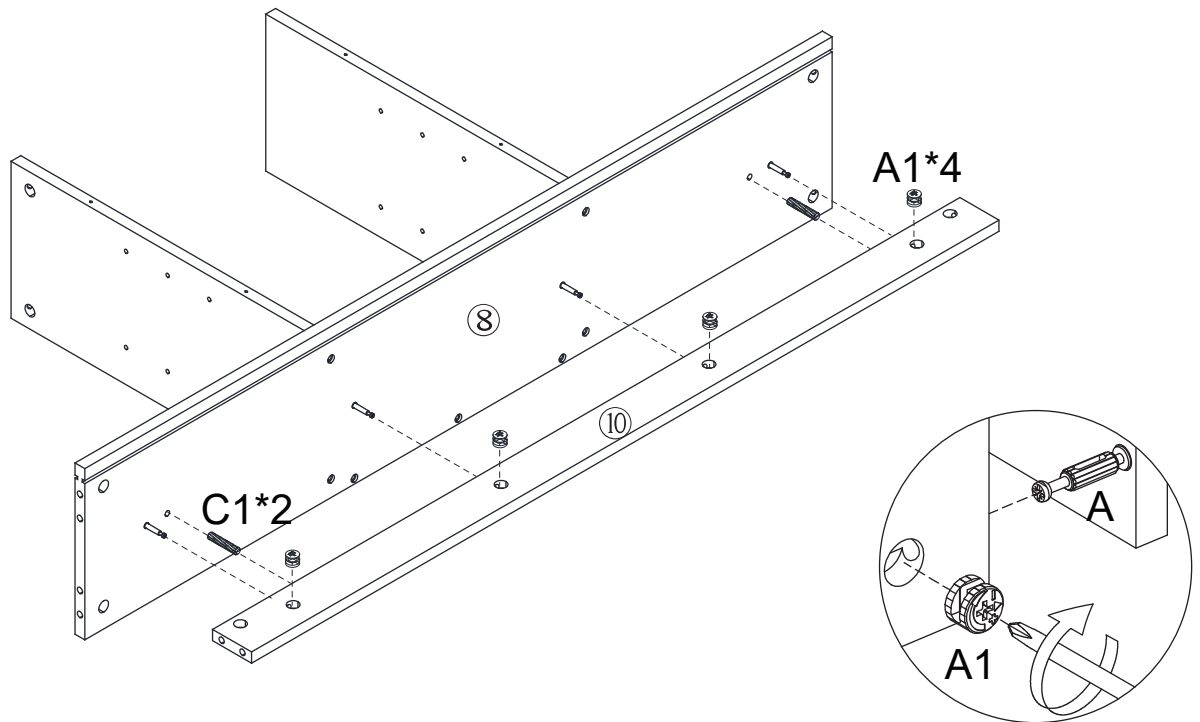
				
B4	3PCS	B5	4PCS	
				
		C1	6PCS	



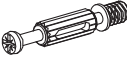
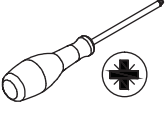
Assemble

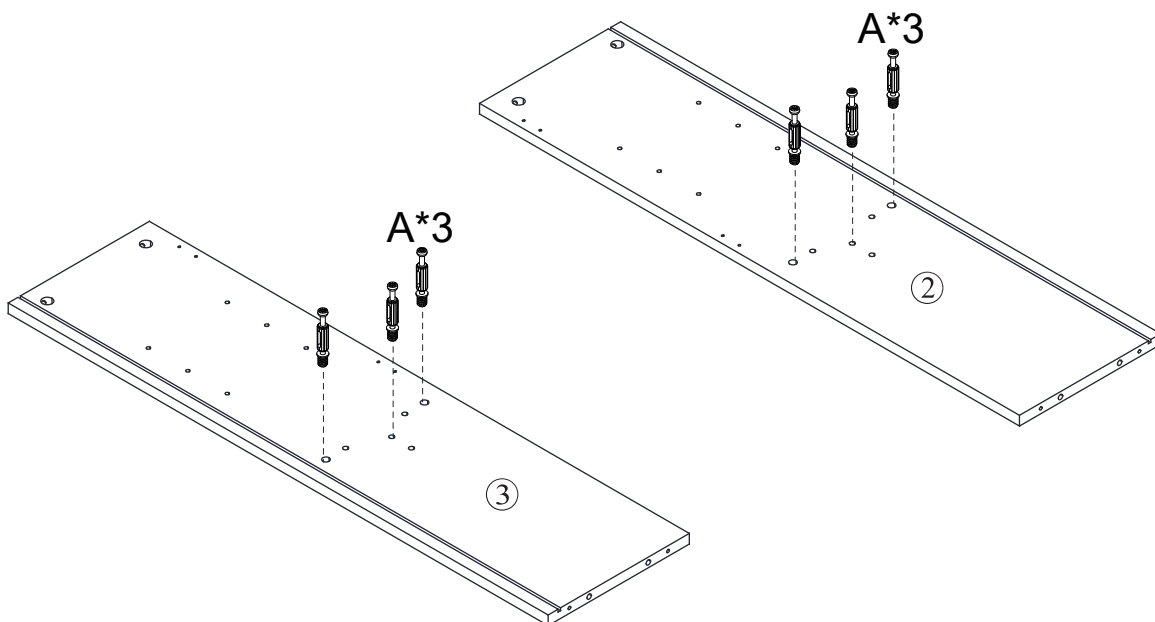
Step 3

				
A1	4PCS	C1	2PCS	





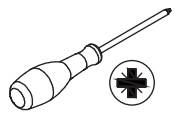
Step 4

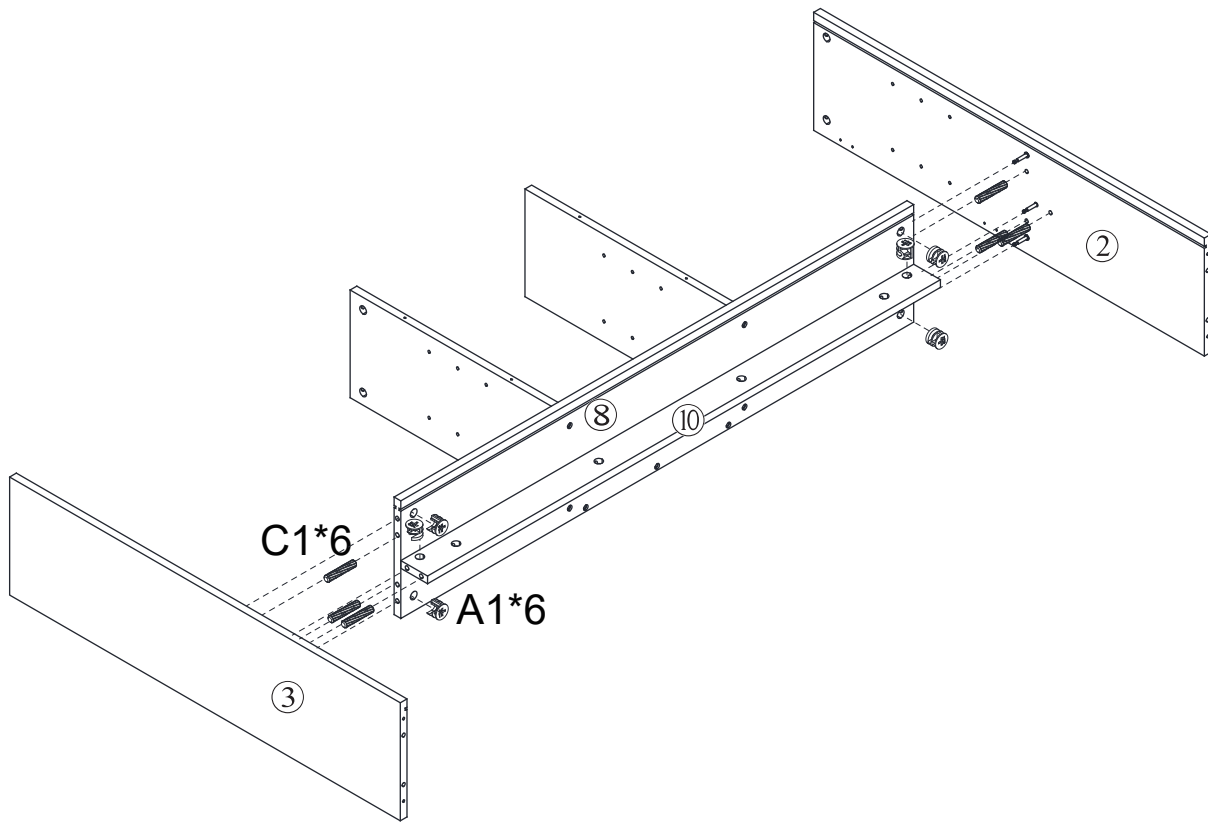
		
A	6PCS	



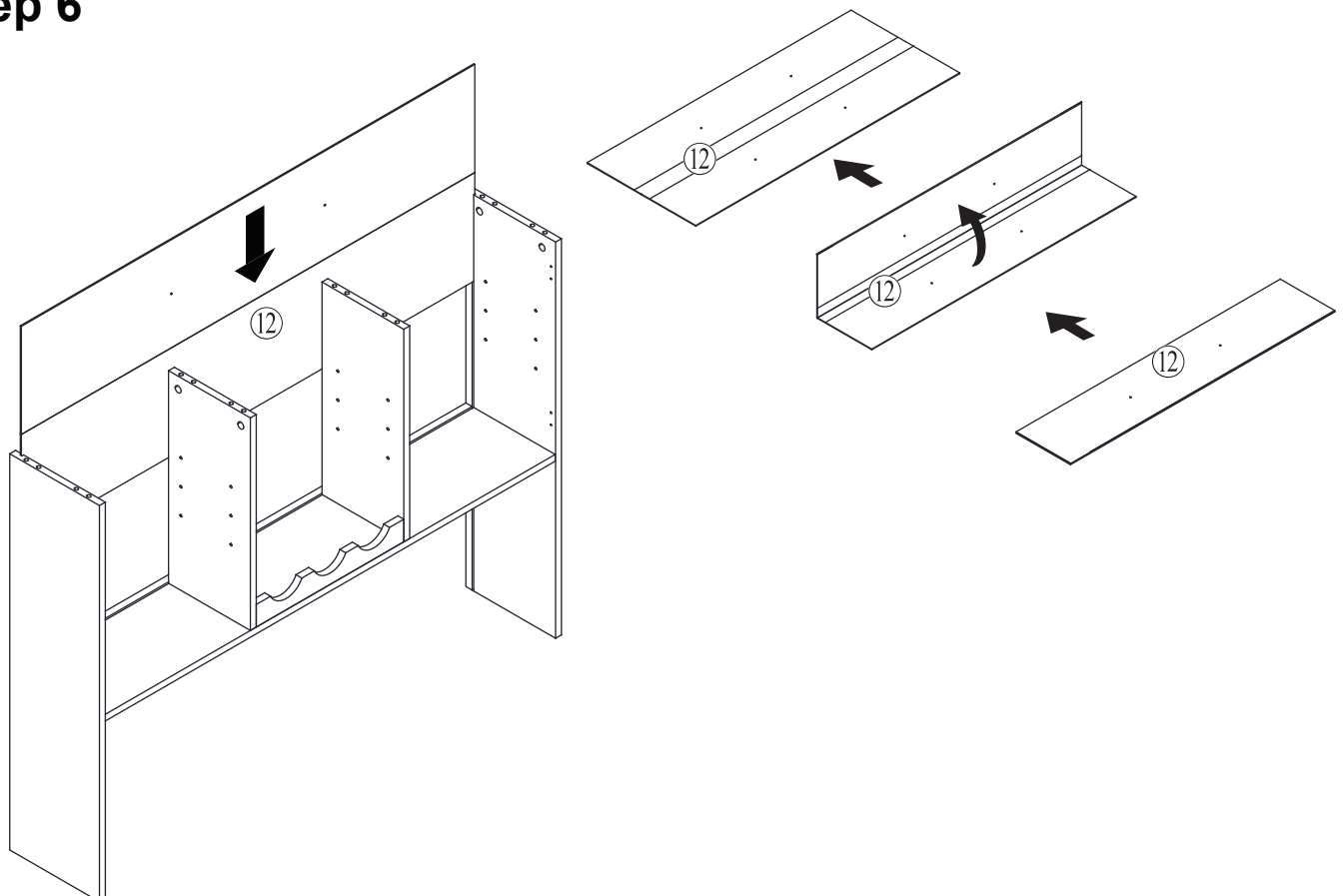
Assemble

Step 5

			
A1	6PCS	C1	6PCS

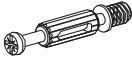


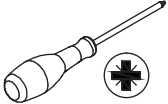


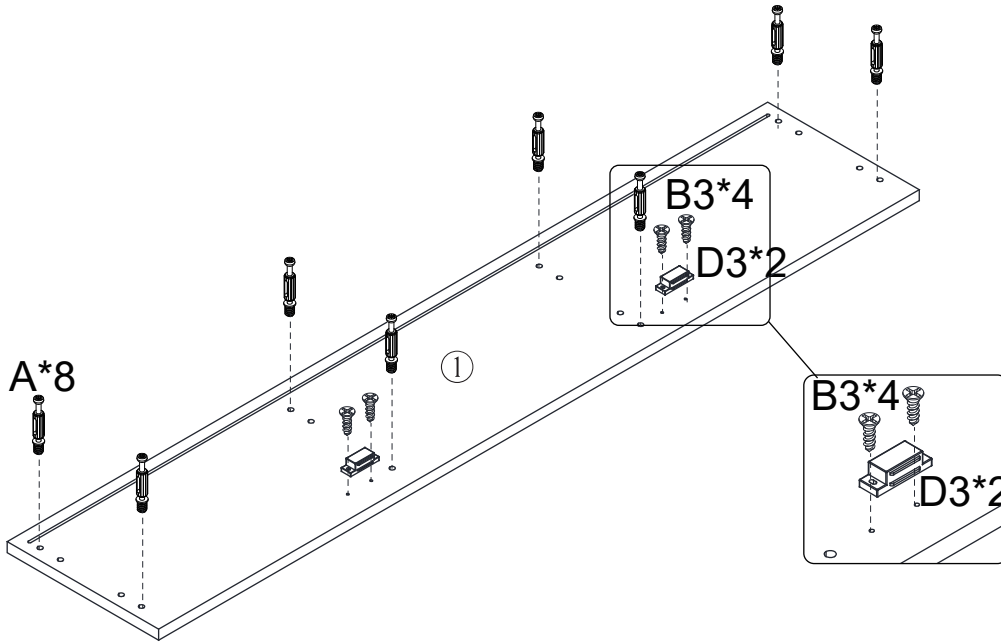
Step 6





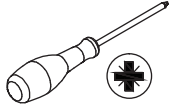
Assemble

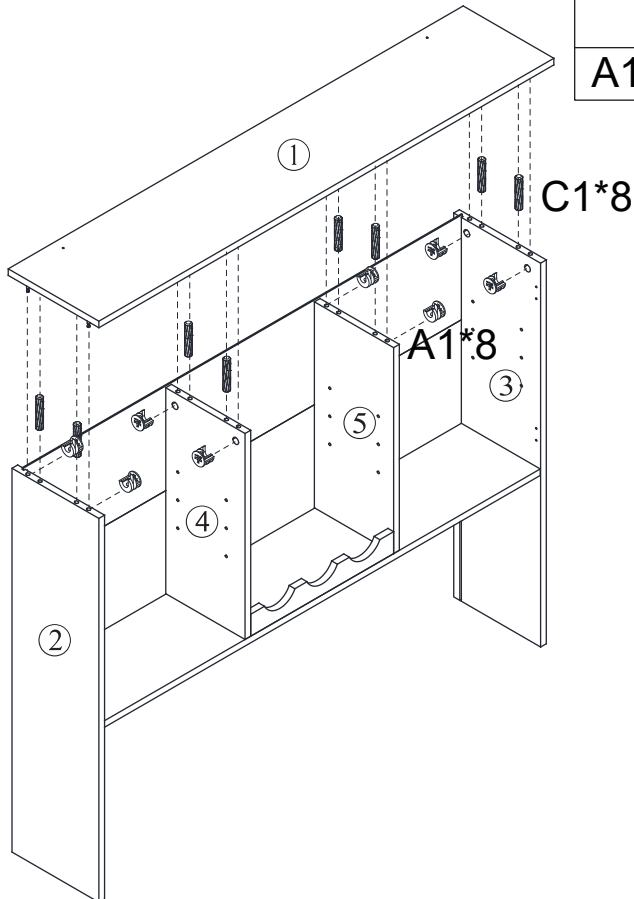
Step 7

			
A 8PCS	D3 2PCS	B3 4PCS	

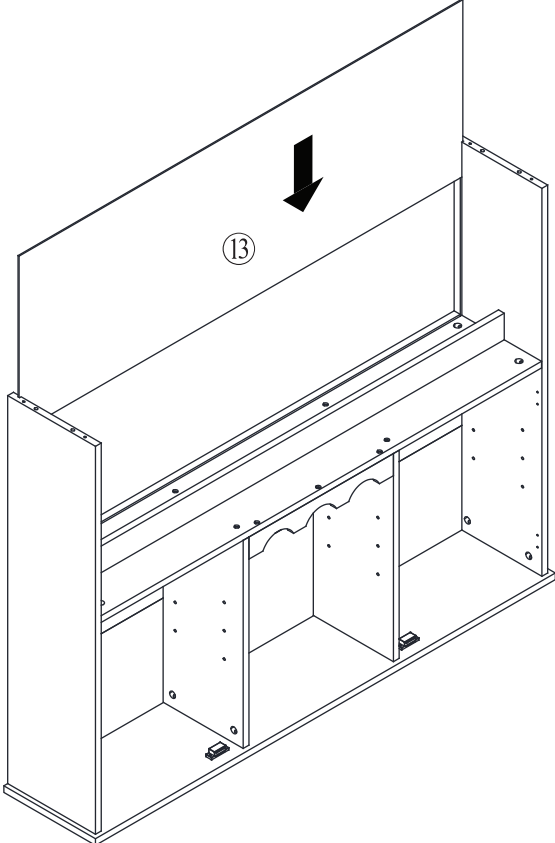


Step 8

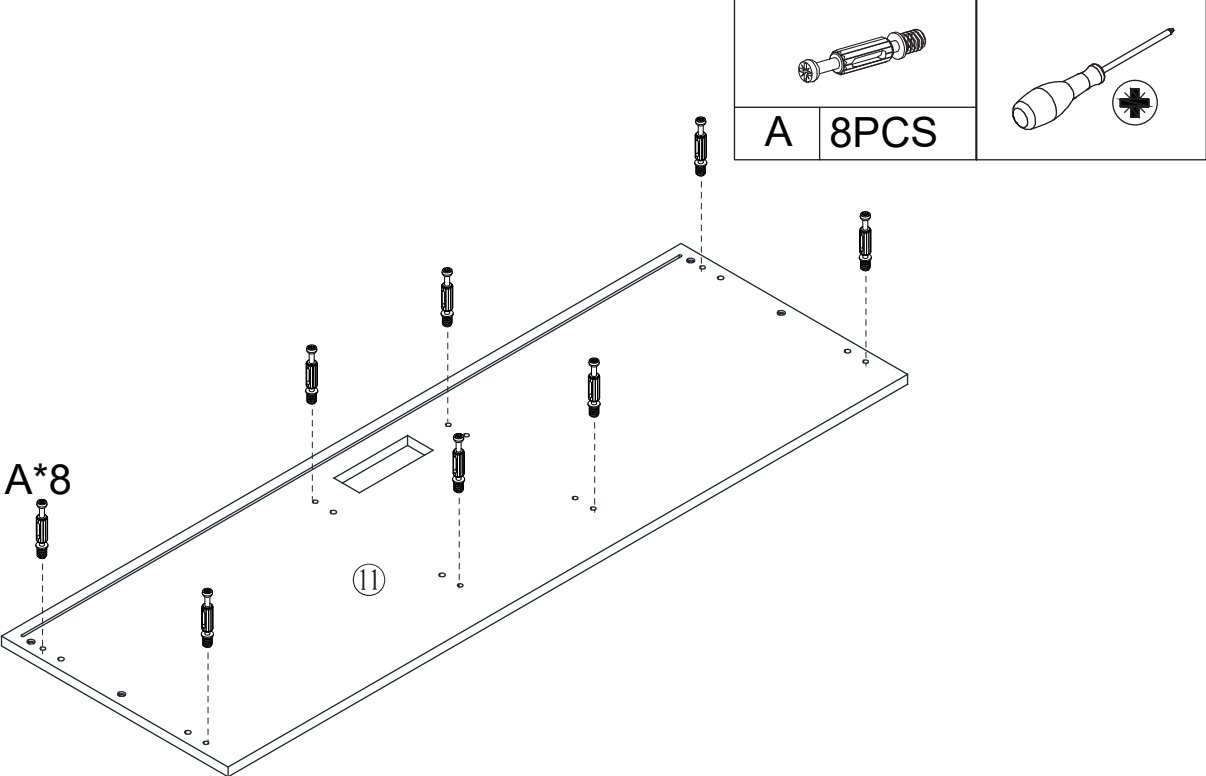
		
A1 8PCS	C1 8PCS	



Step 9

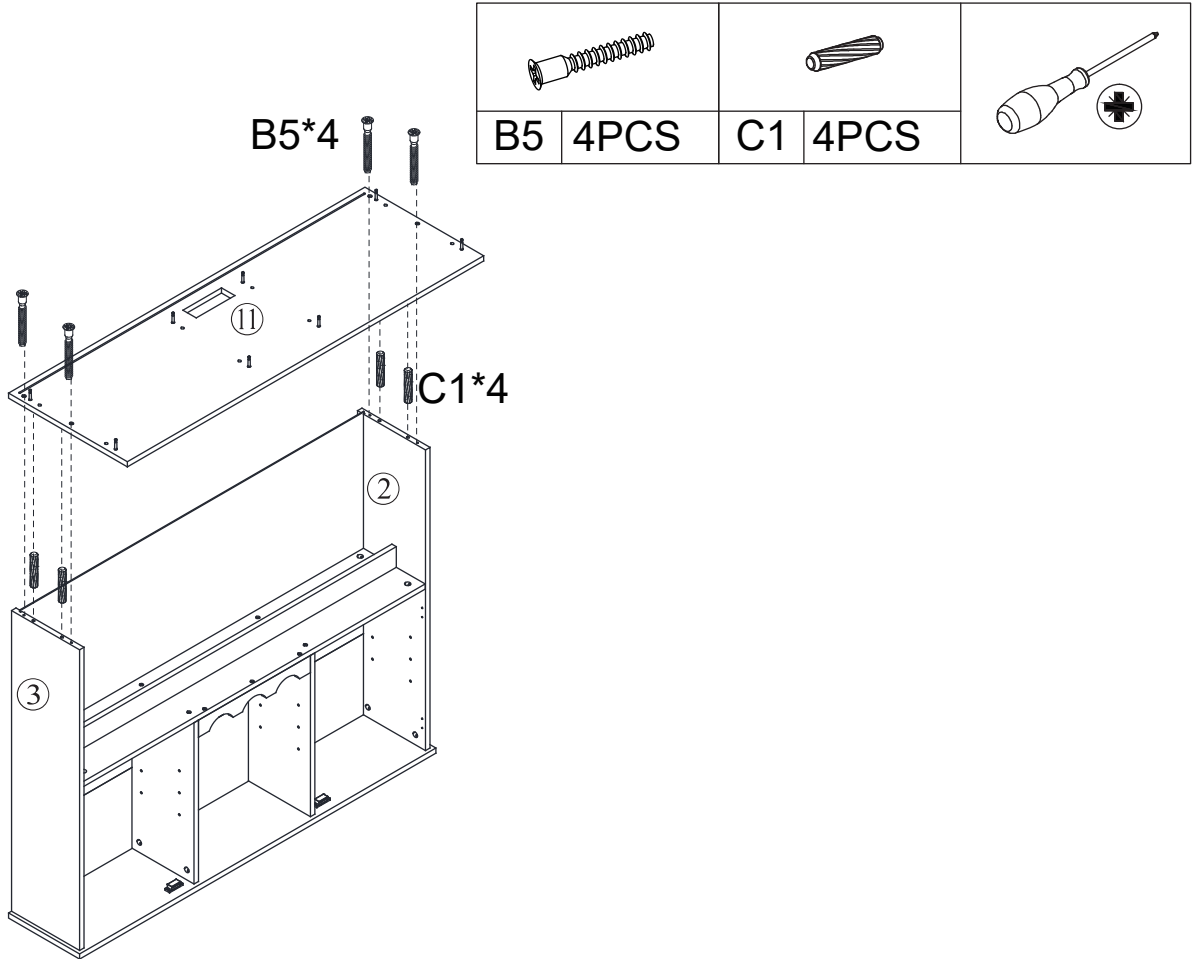


Step 10

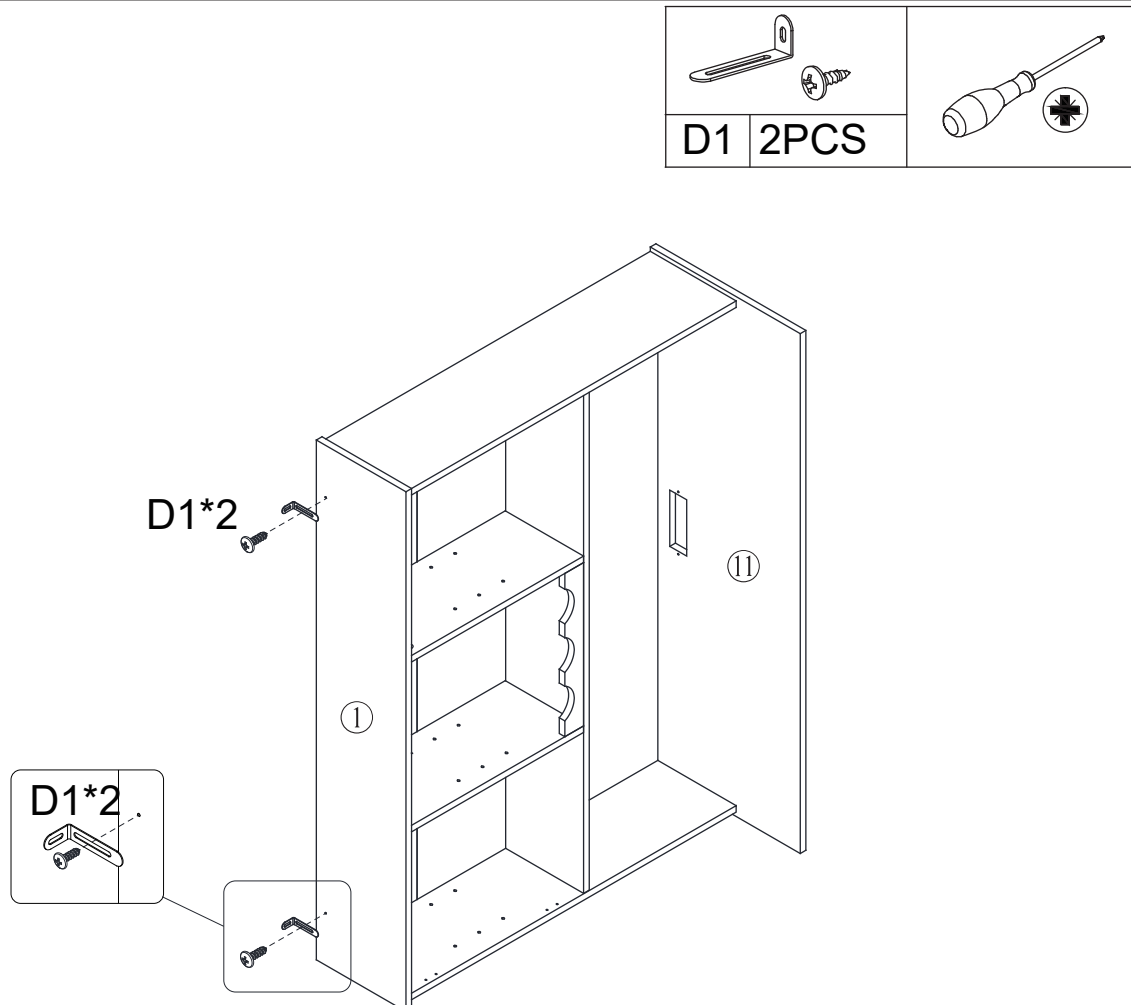


Assemble

Step 11


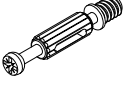
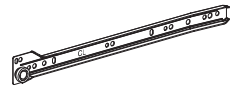
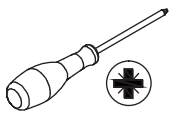


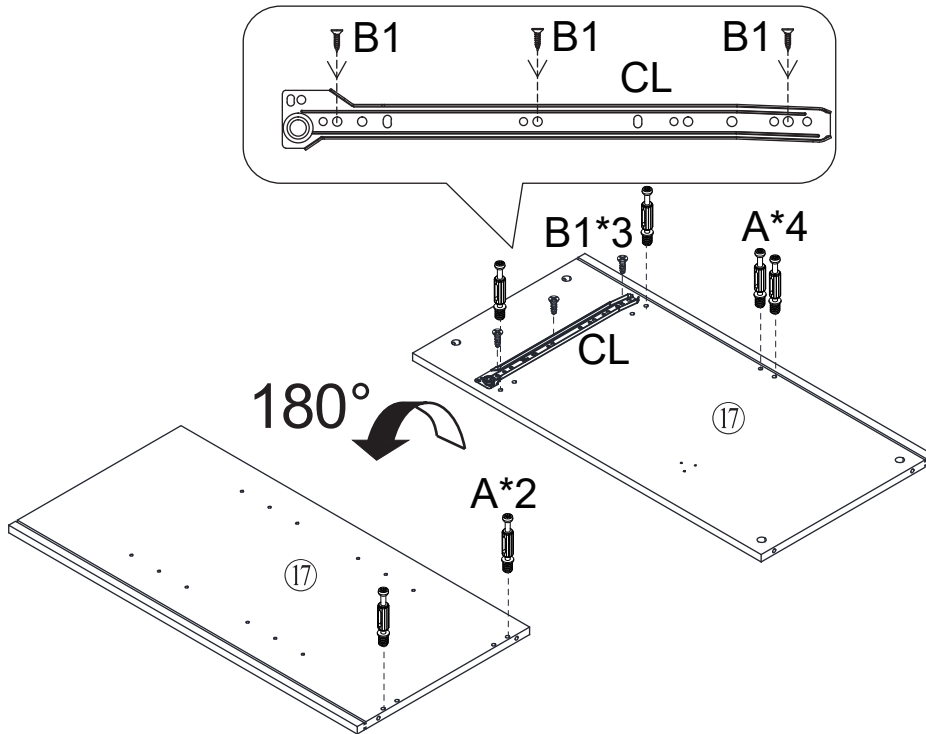
Step 12




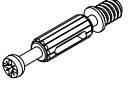
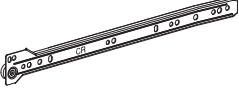
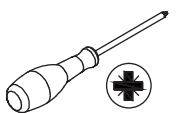
Assemble

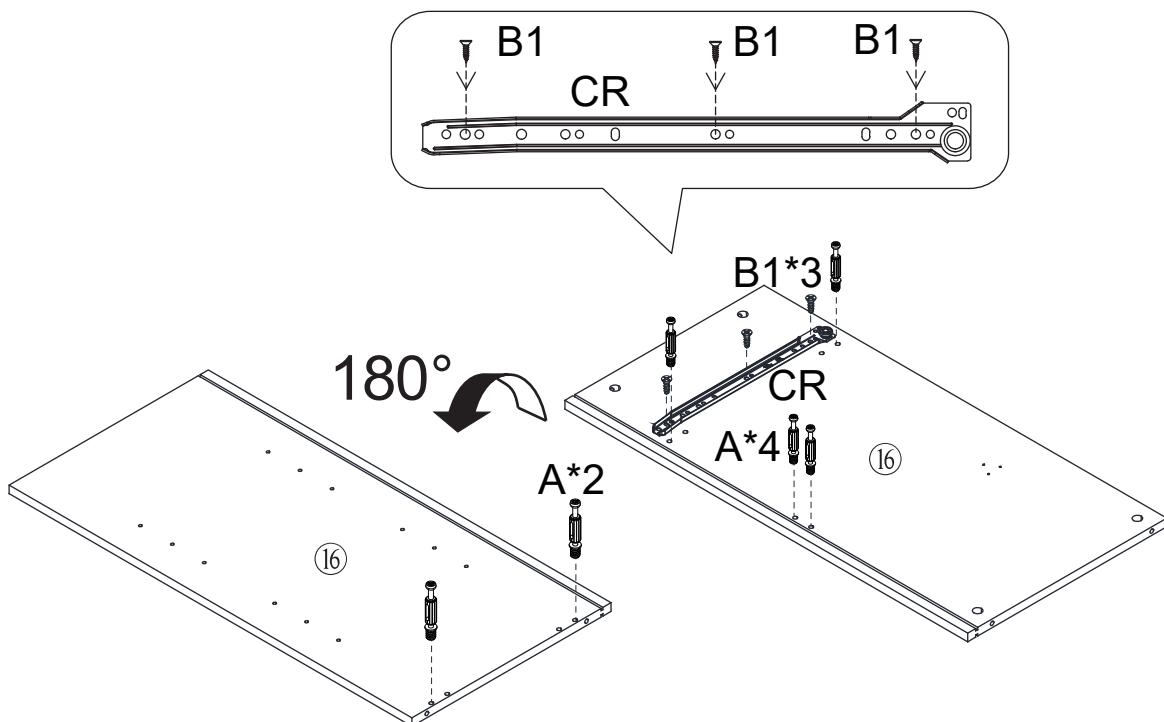
Step 13

			
B1	3PCS	A	6PCS
		CL	1PCS



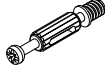


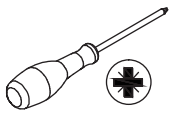
Step 14

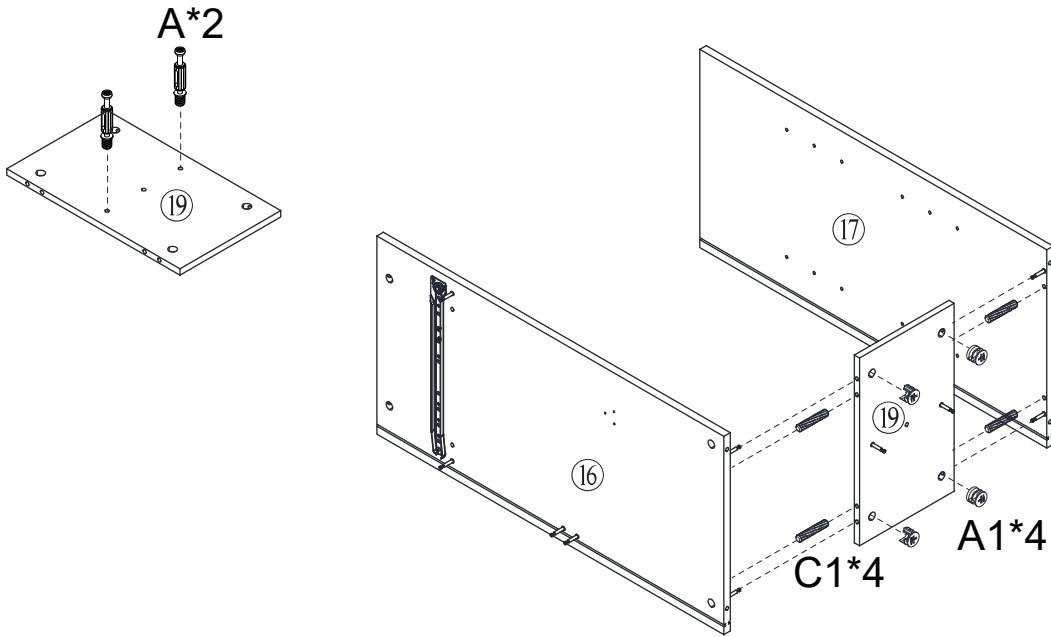
			
B1	3PCS	A	6PCS
		CR	1PCS



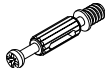
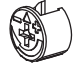

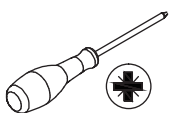
Assemble

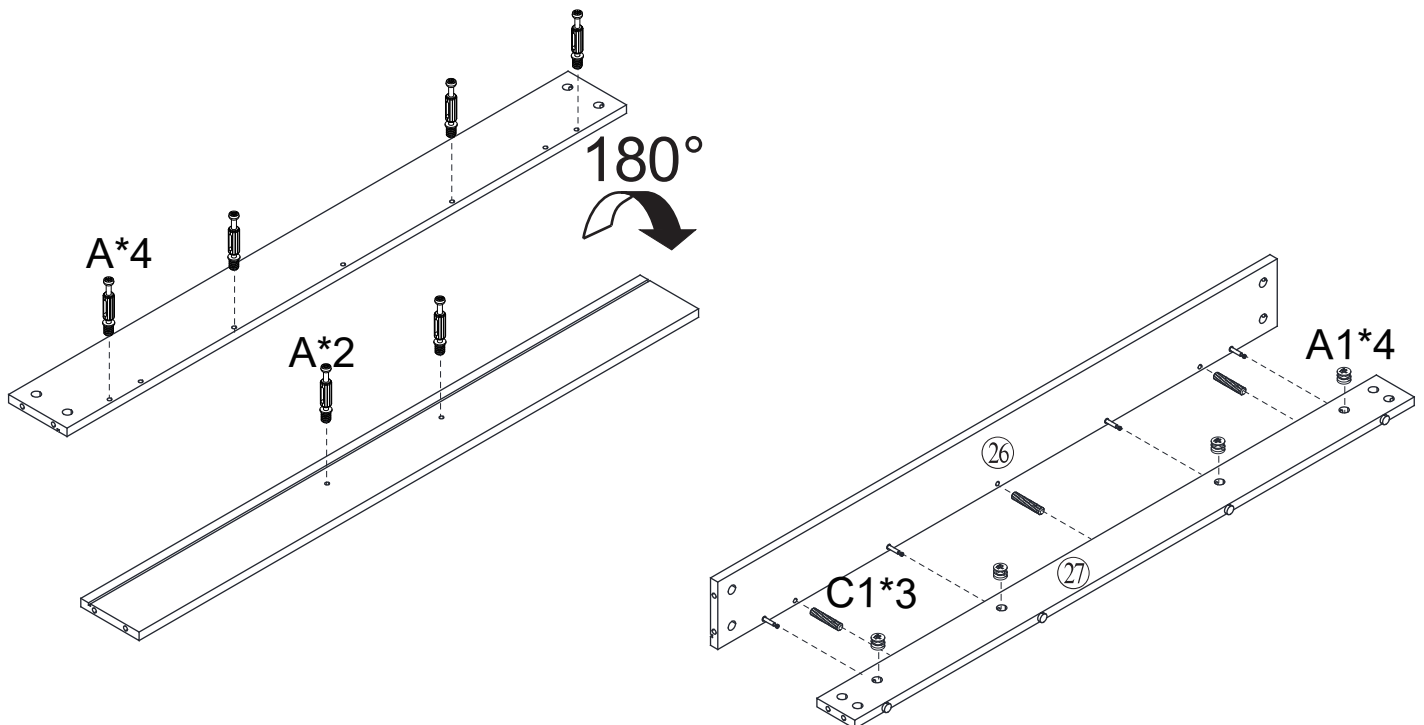
Step 15

			
A	2PCS	A1	4PCS
		C1	4PCS



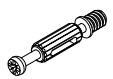


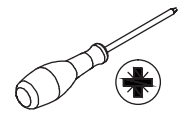
Step 16

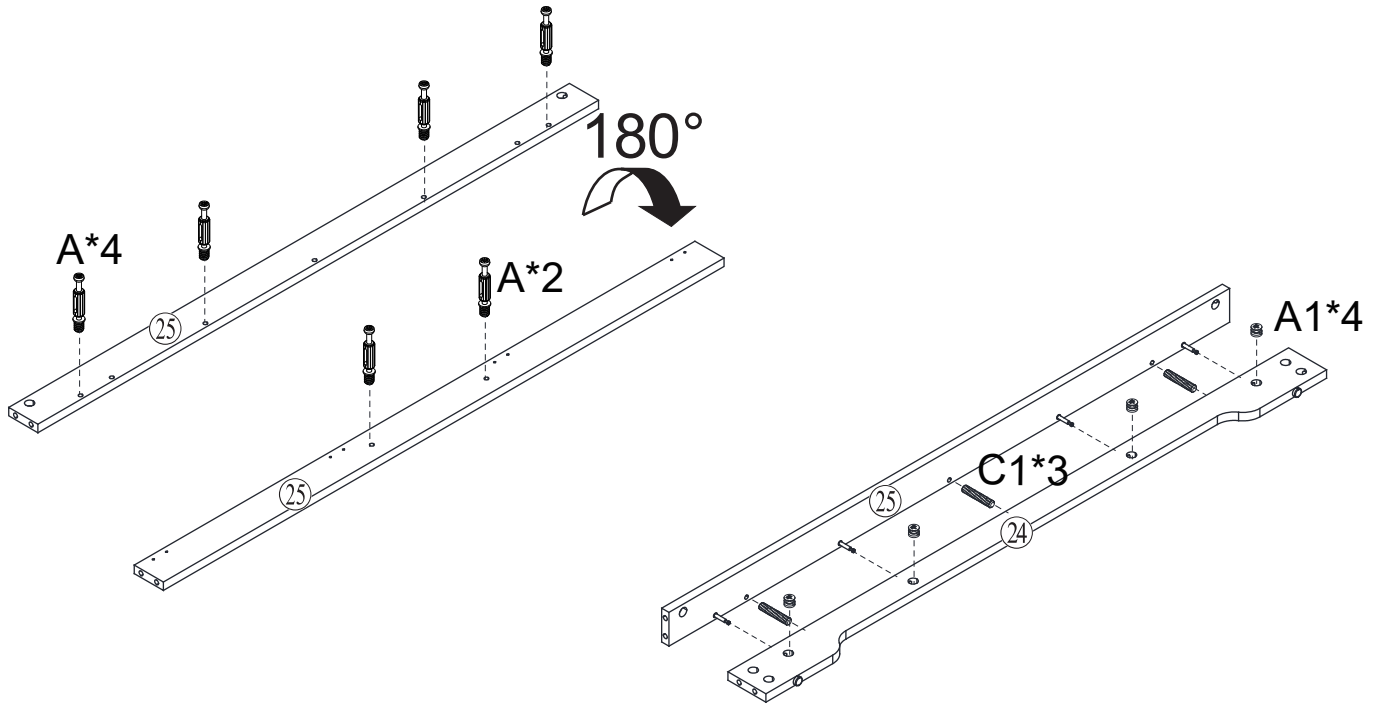
			
A	6PCS	A1	4PCS
		C1	3PCS




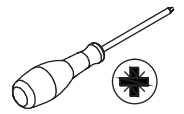
Assemble

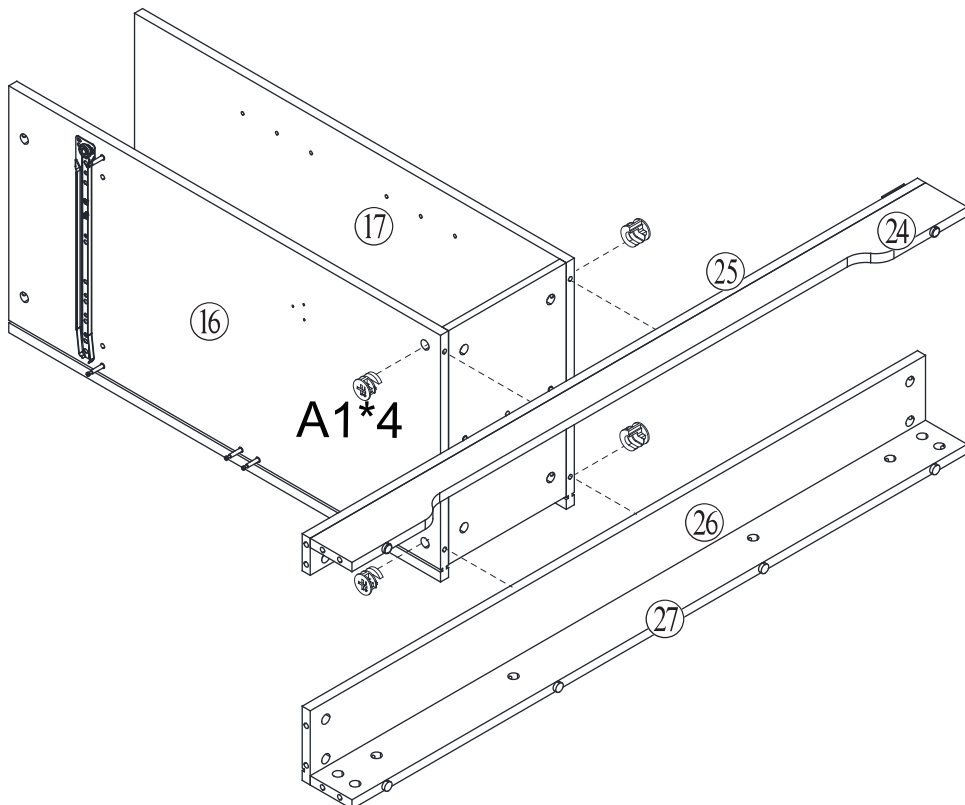
Step 17

							
A	6PCS	A1	4PCS	C1	3PCS		



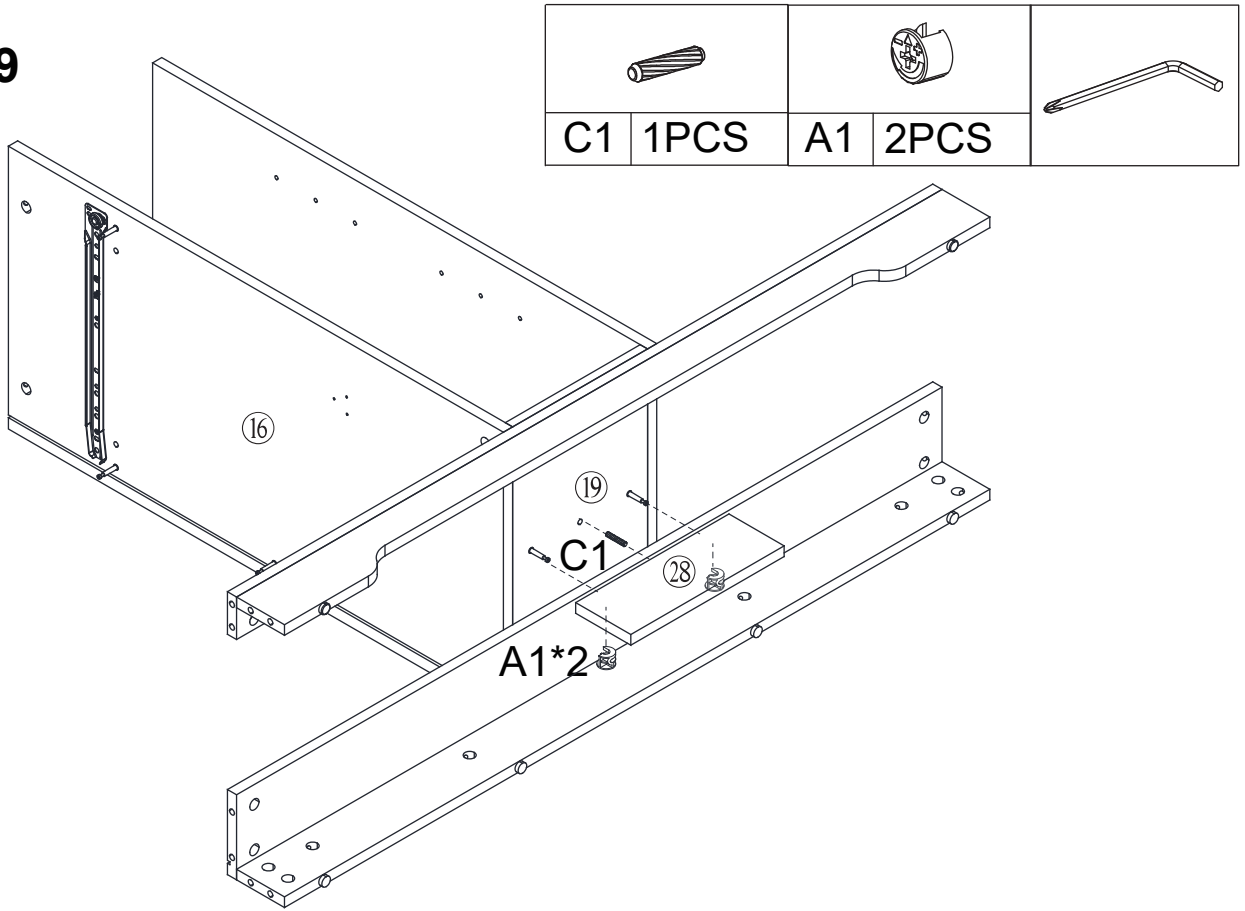
Step 18

			
A1	4PCS		

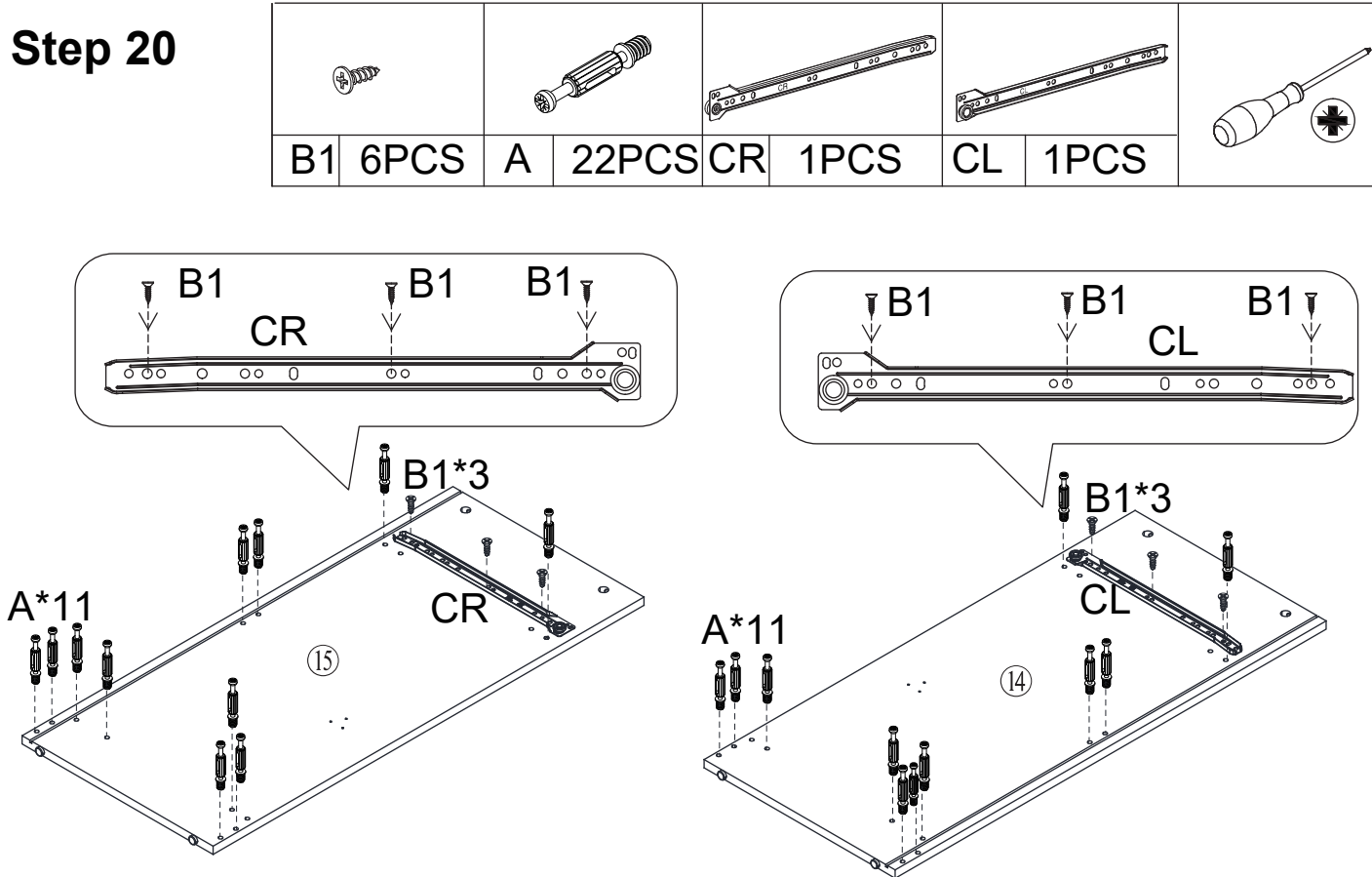


Assemble

Step 19



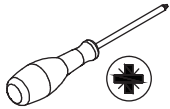



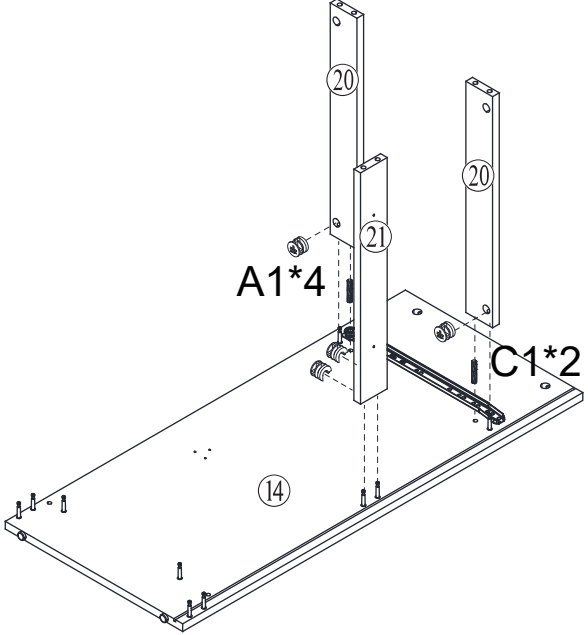
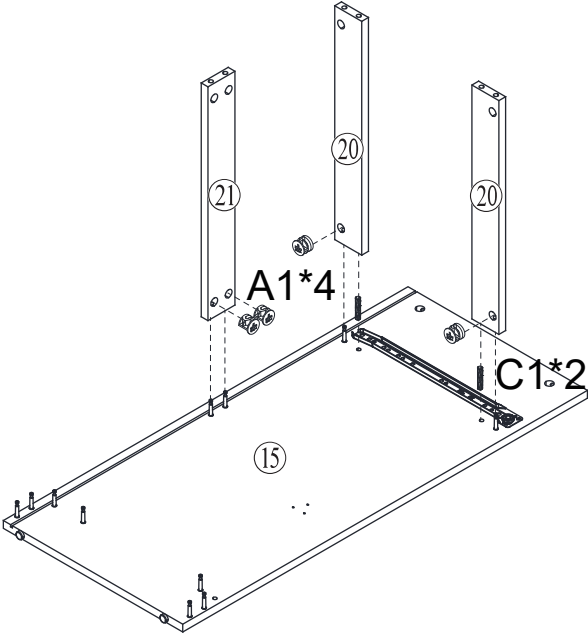
Step 20





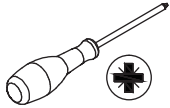

Assemble

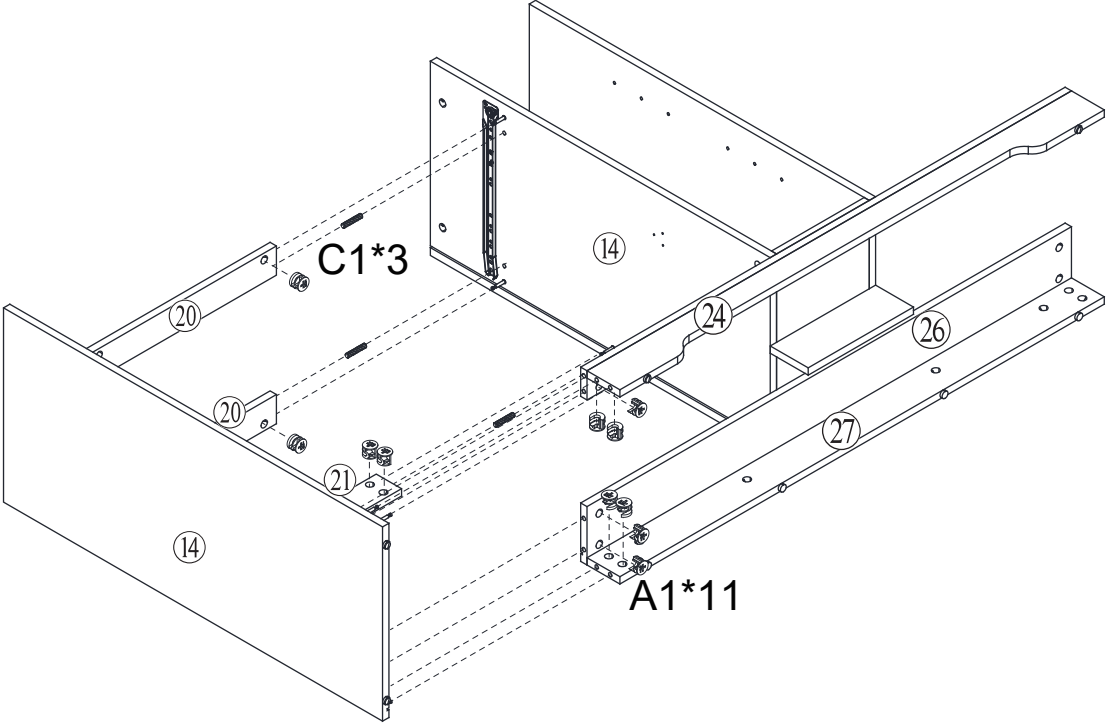
Step 21

		
A1 8PCS	C1 4PCS	





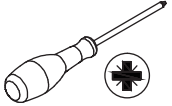
Step 22

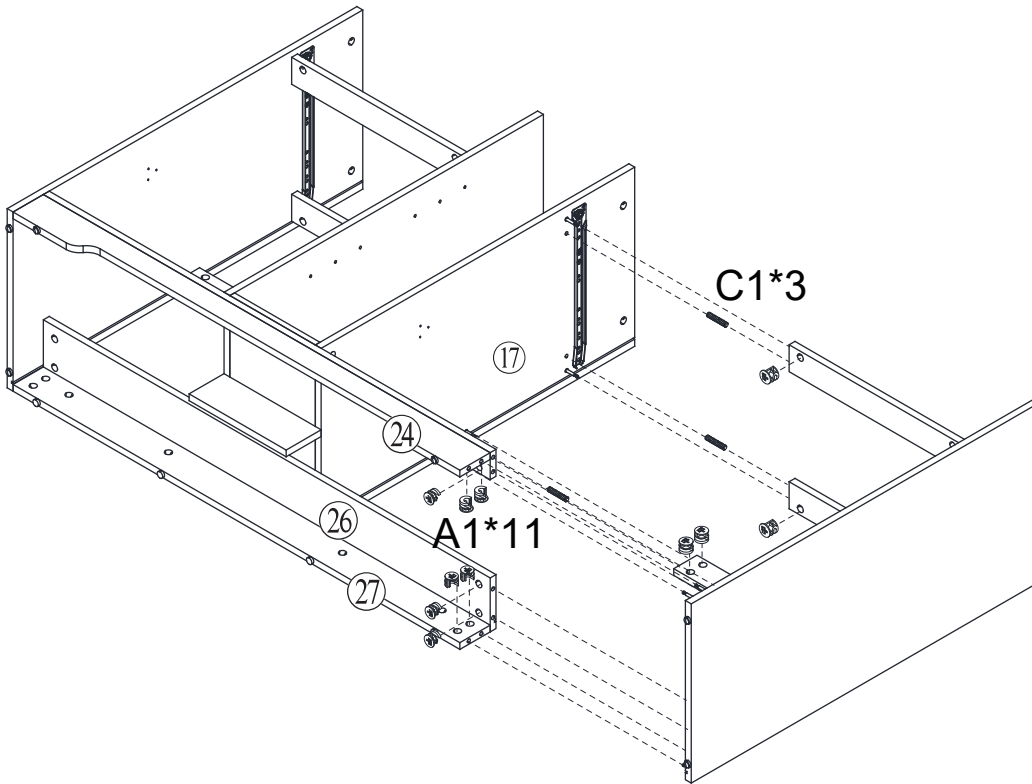
		
A1 11PCS	C1 3PCS	




Assemble

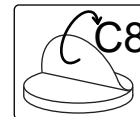
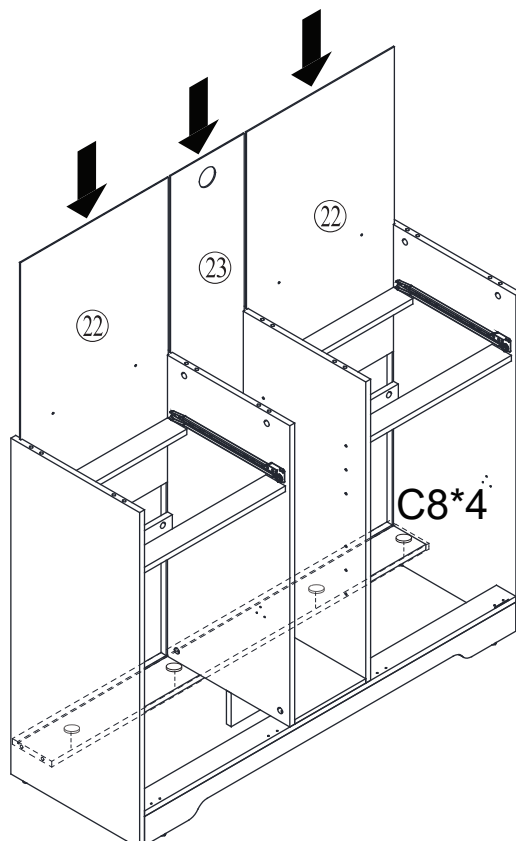
Step 23

				
A1	11PCS	C1	3PCS	





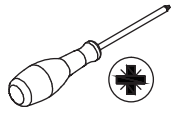
Step 24

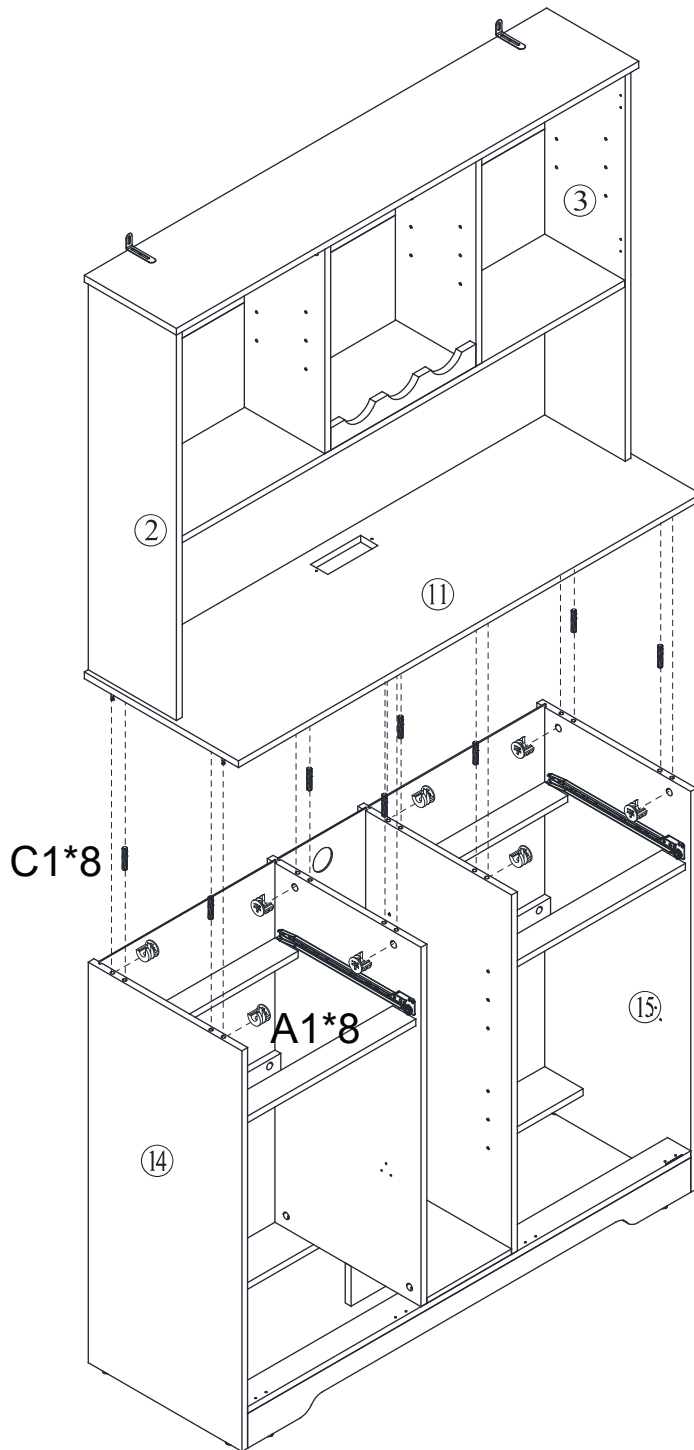
	
C8	8PCS



Assemble

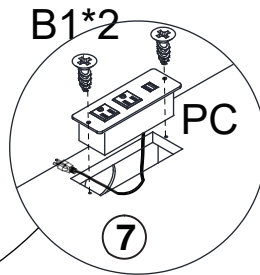
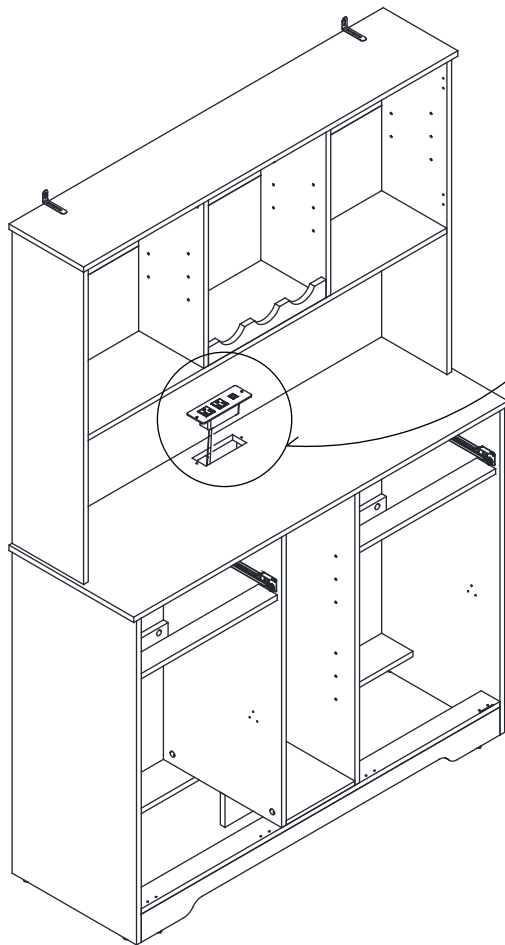
Step 25

			
A1	8PCS	C1	8PCS



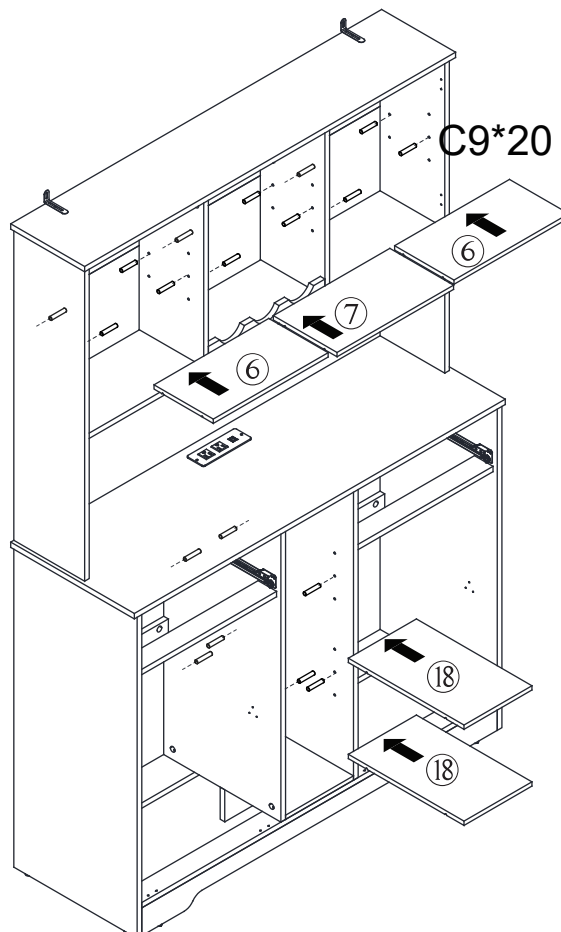
Assemble

Step 26




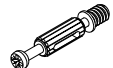


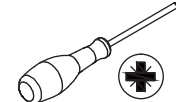
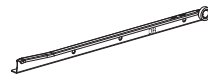
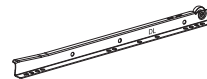

B1	2PCS	PC 1PCS

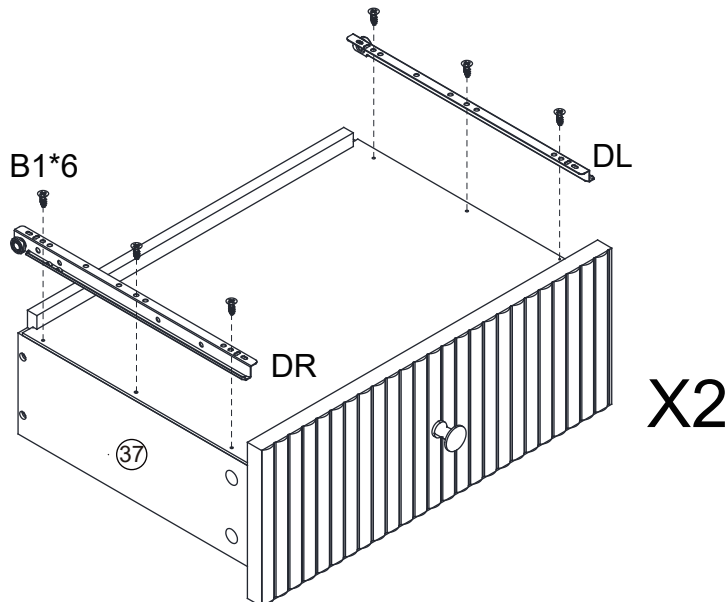
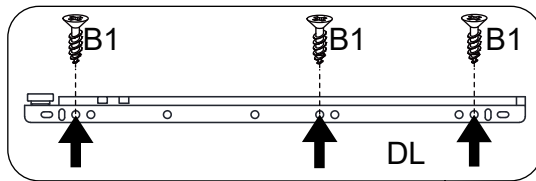
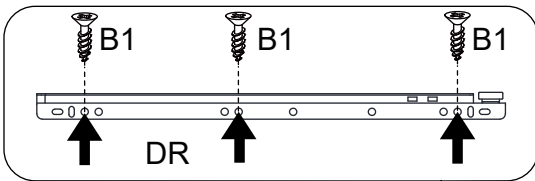
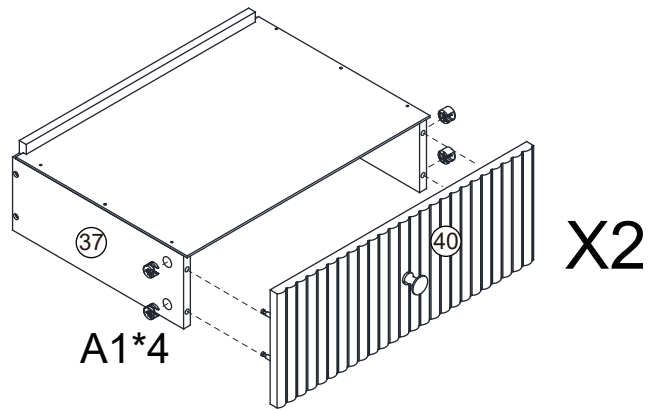
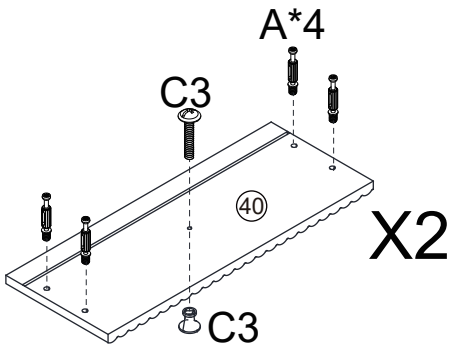
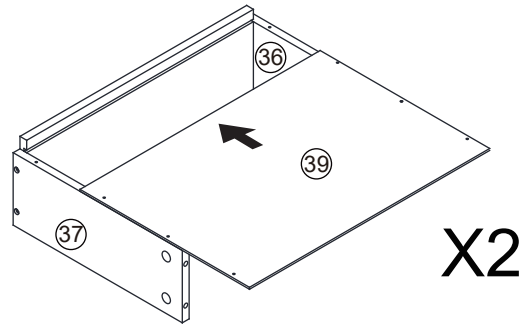
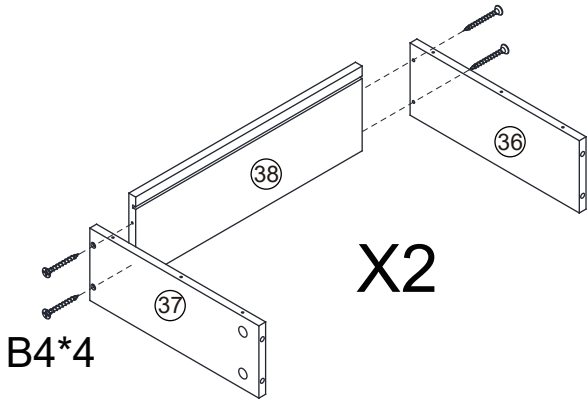
Step 27



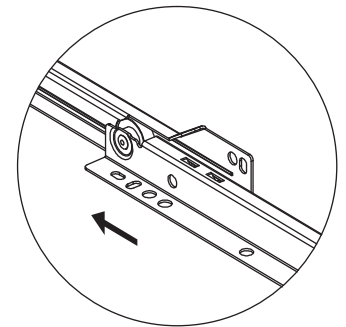
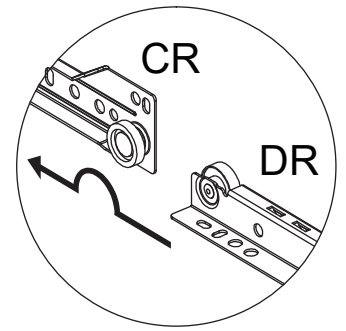
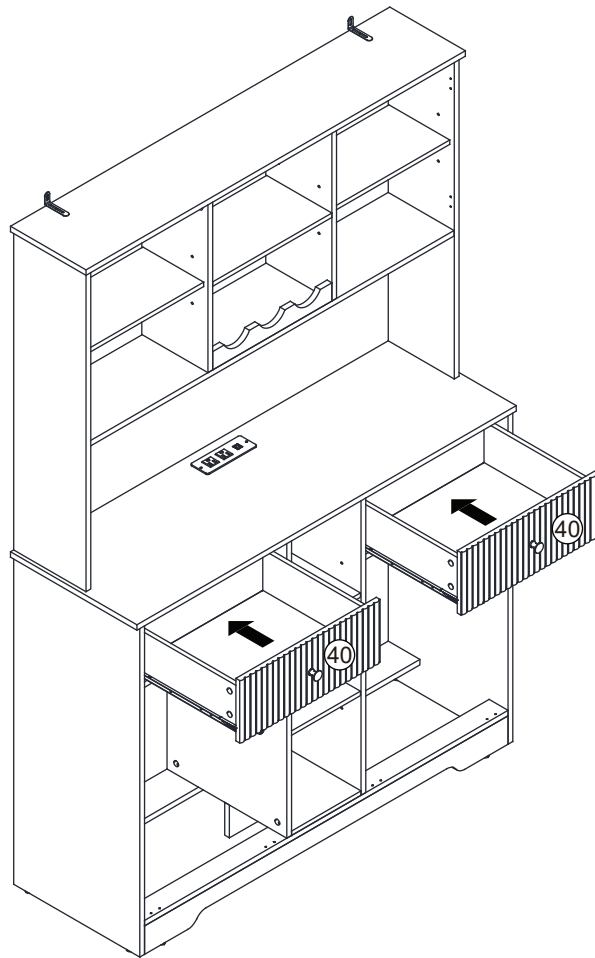
C9	20PCS

Step 28


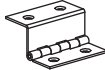


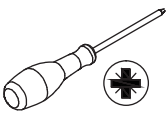
				
B4 8PCS	A 8PCS	A1 8PCS	B1 12PCS	
				
		DR 2PCS	DL 2PCS	C3 2PCS

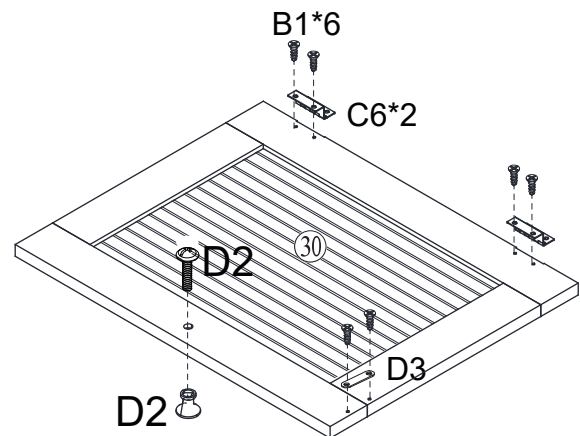
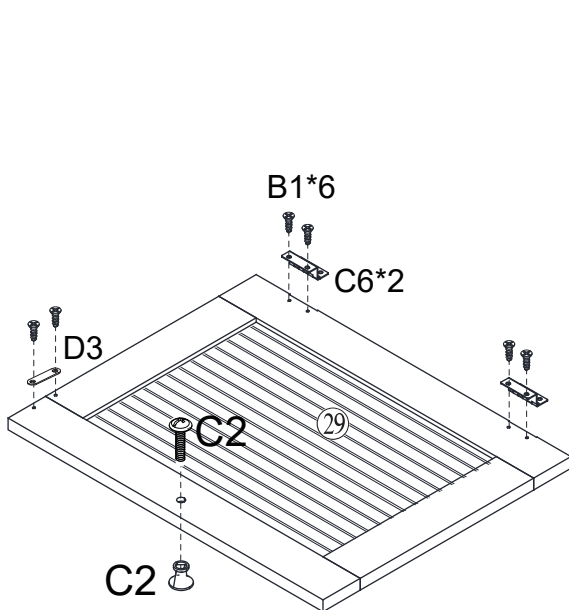


Step 29


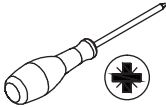


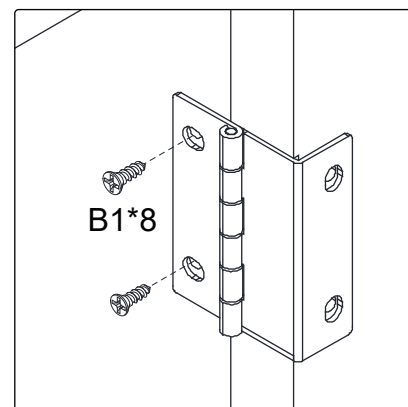
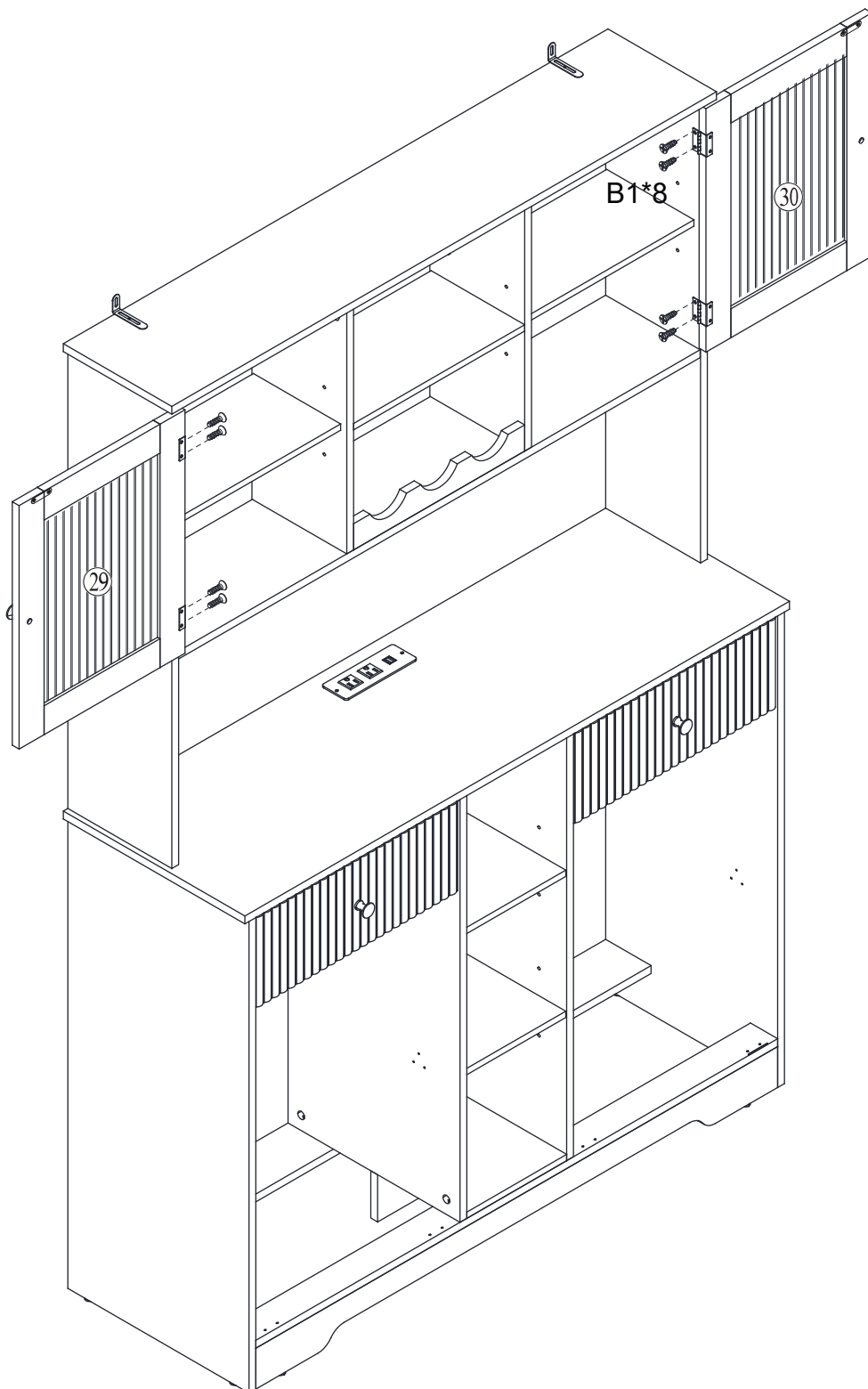
Step 30

				
B1 12PCS	C6 4PCS	D3 2PCS	C2 2PCS	


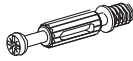


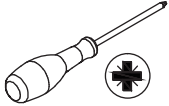

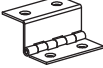




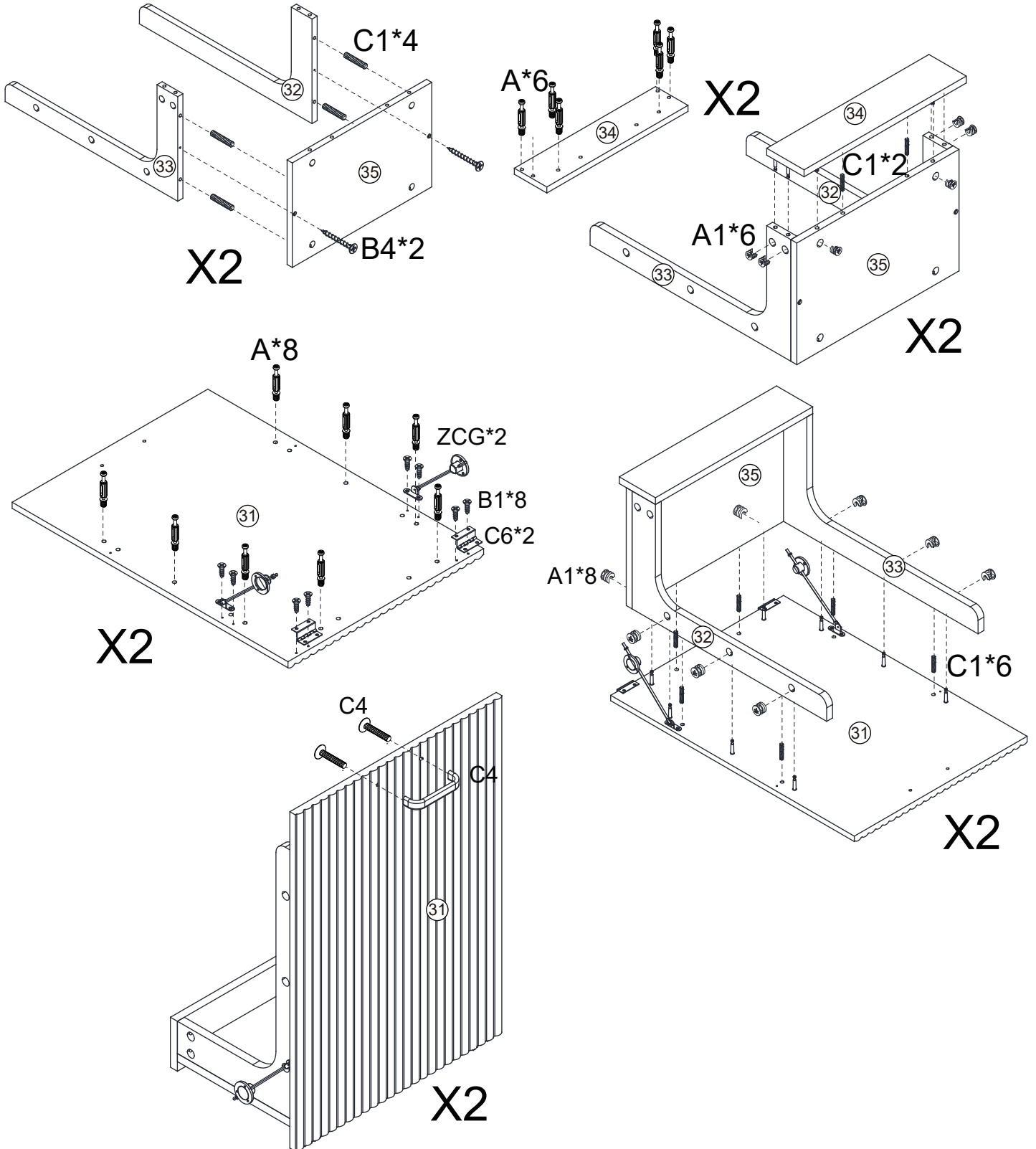
Step 31

			
B1	8PCS		


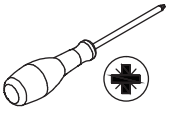


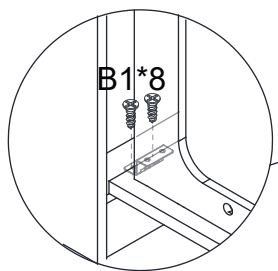
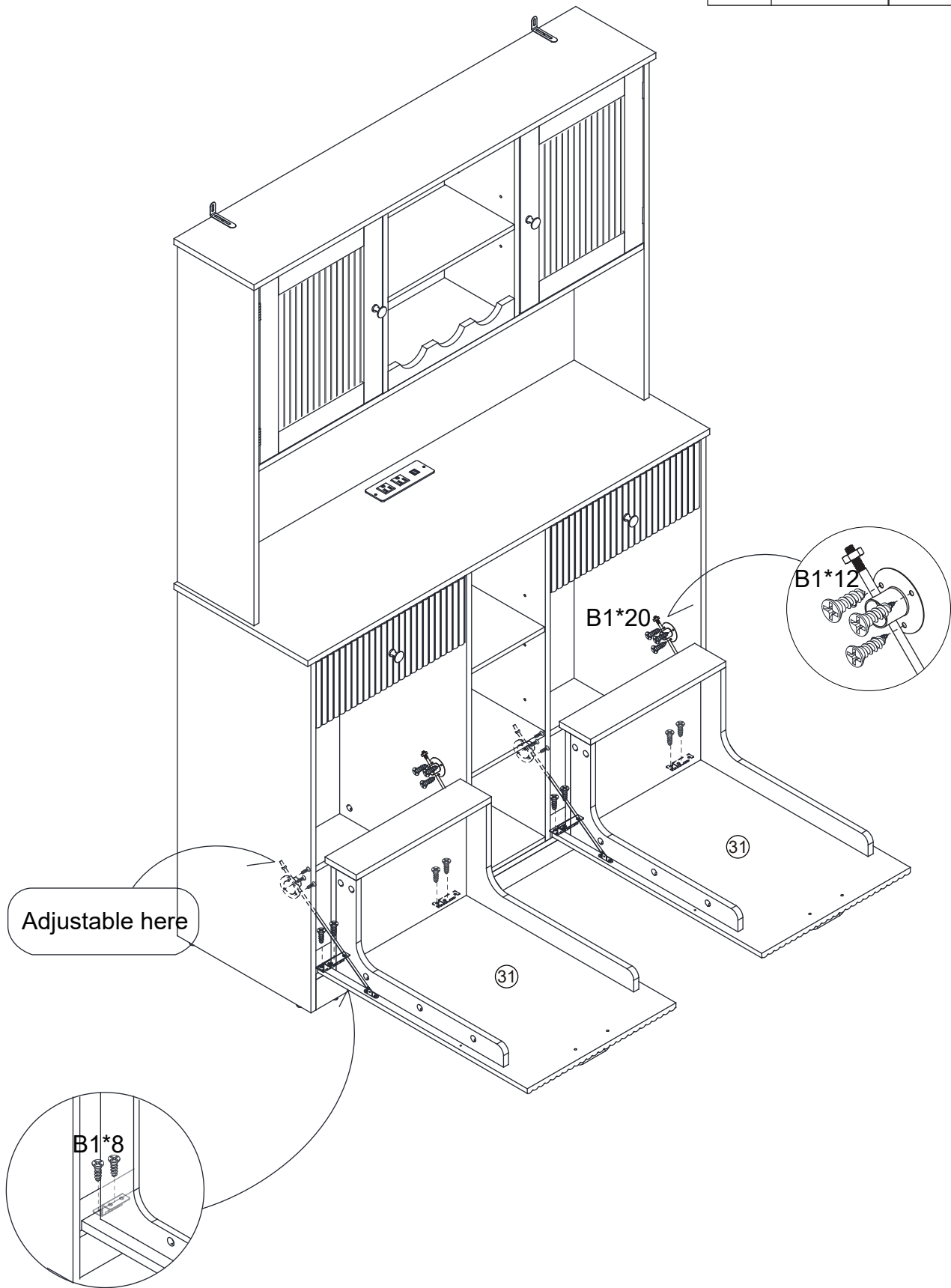
Step 32

				
B1 16PCS	A 28PCS	A1 28PCS	C1 24PCS	
				
ZCG 4PCS	C6 4PCS	C4 2PCS	B4 4PCS	

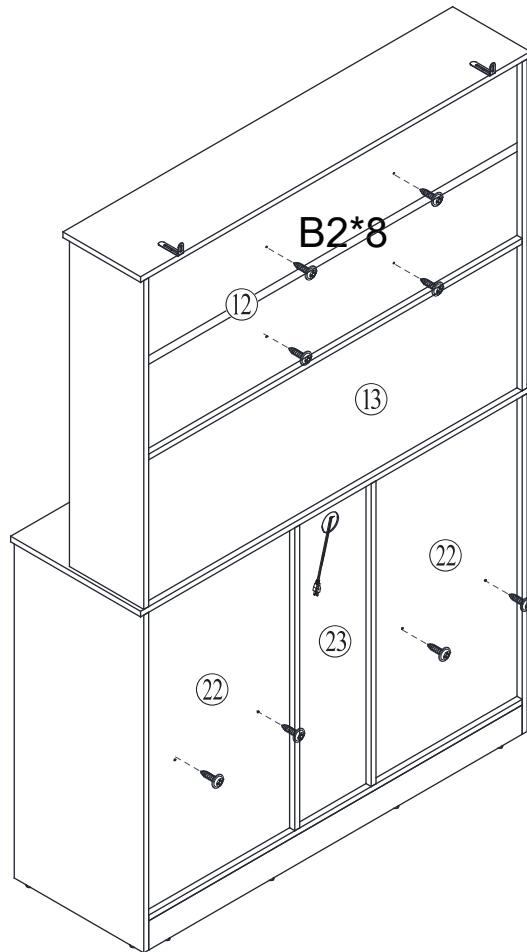



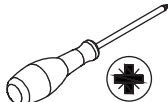
Step 33

			
B1	20PCS		

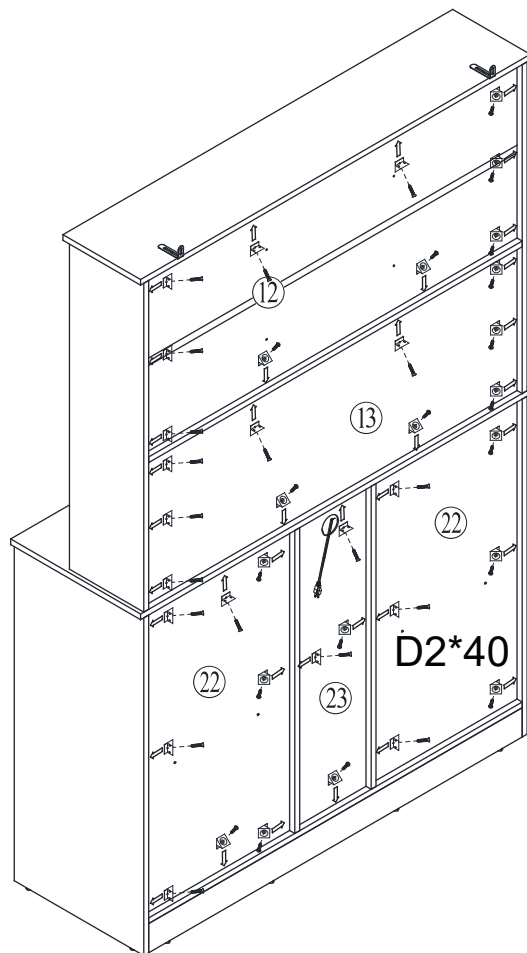



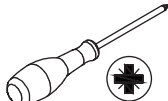
Step 34

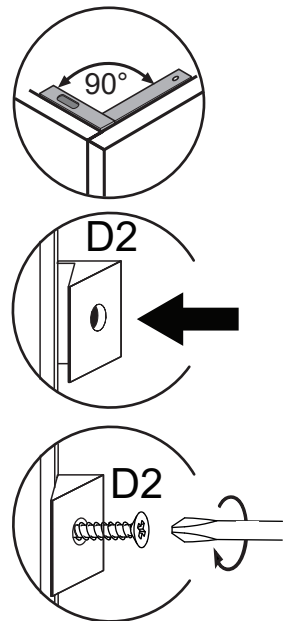


	
B2	8PCS

Step 35

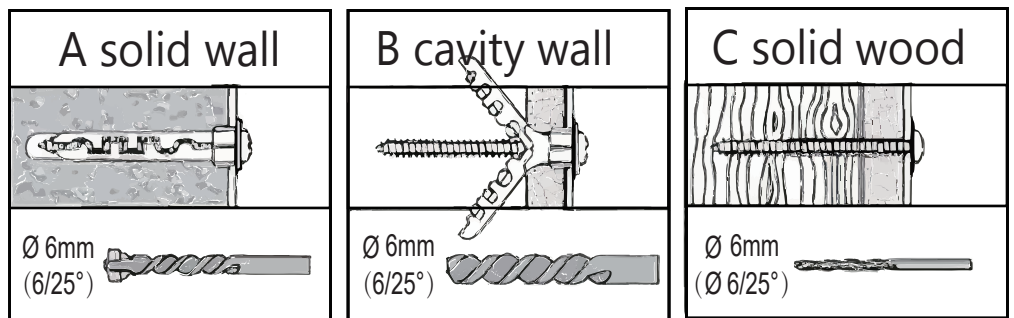
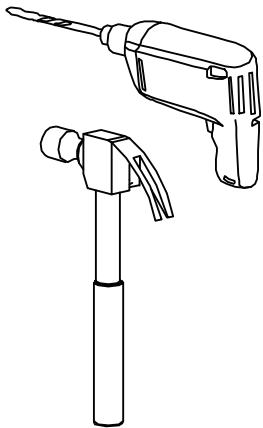
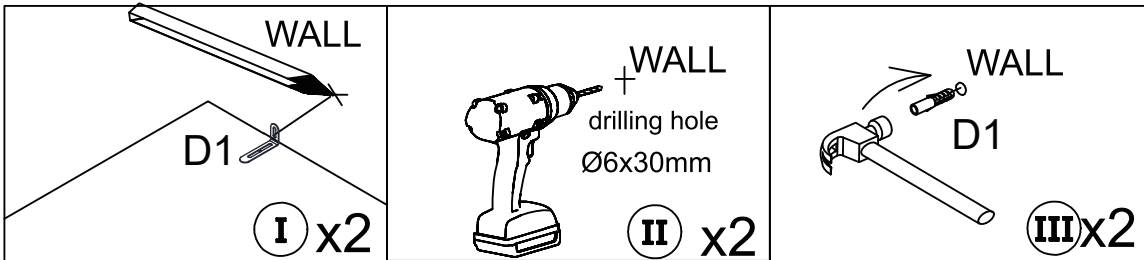
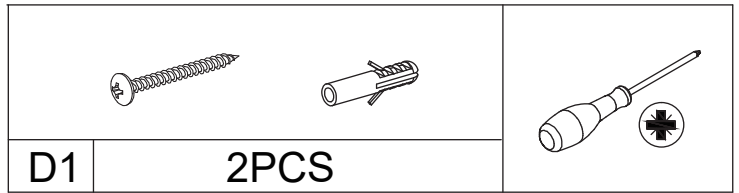


	
D2	40PCS



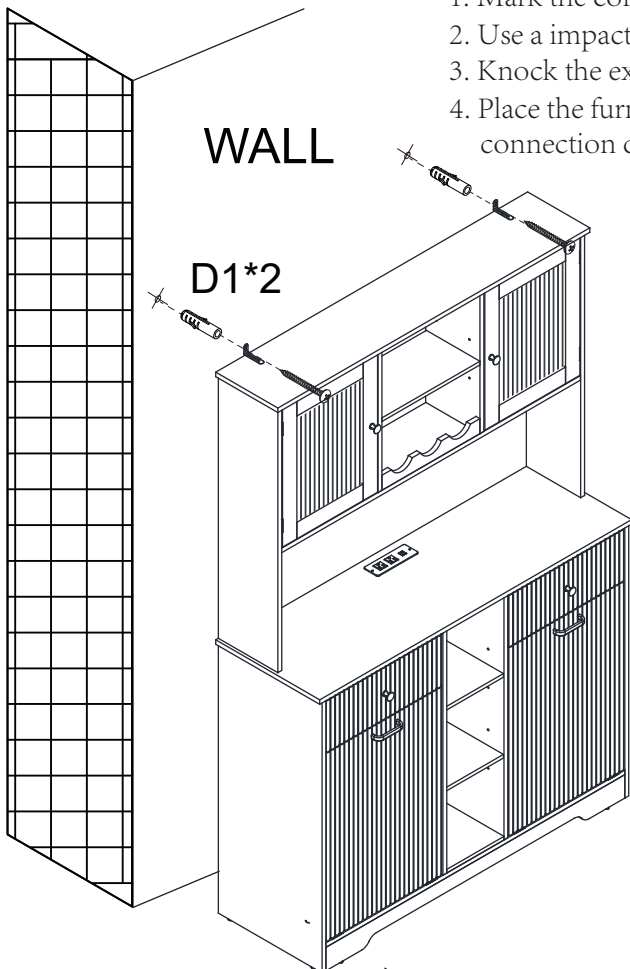
Assemble

Step 36




Warning: If you overturn the furniture, it may cause serio
We have a wall connection device attached, please use it to hold the furniture following these instructions.

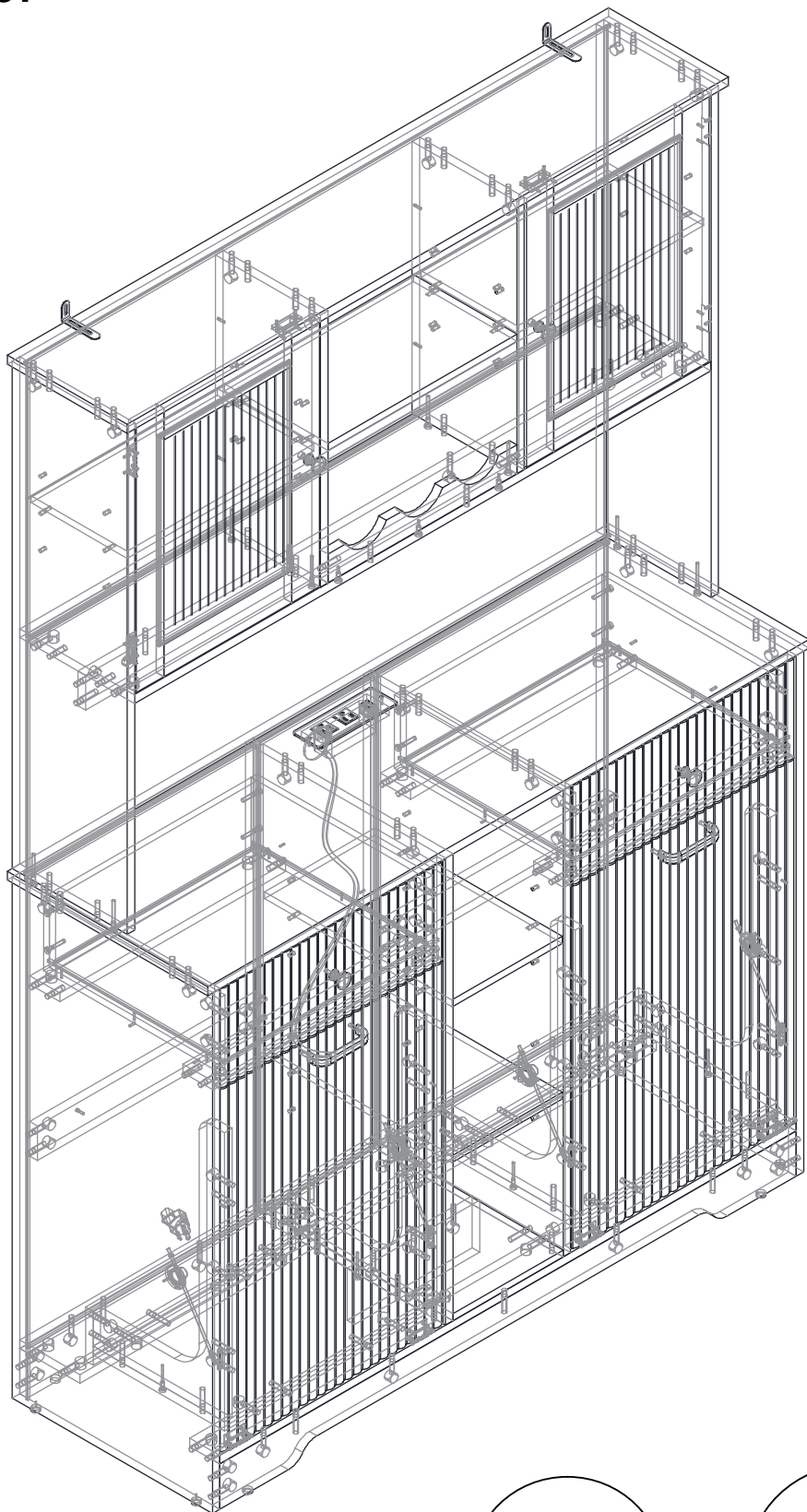
1. Mark the corresponding hole positions where you want to place the furniture;
2. Use a impact drill to drill holes and pay attention to avoid wires and water pipes;
3. Knock the expansion pipes into the wall holes;
4. Place the furniture in the corresponding position and tighten the wall connection device with screws.



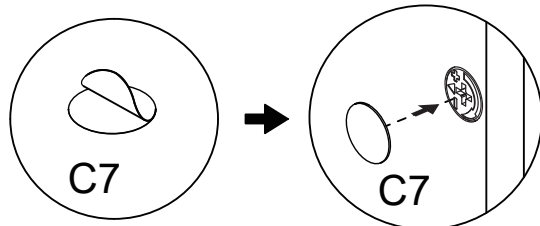
Assemble

Step 37

	
C7	110PCS



C7*110



Attach a hole sticker to the eccentric wheel