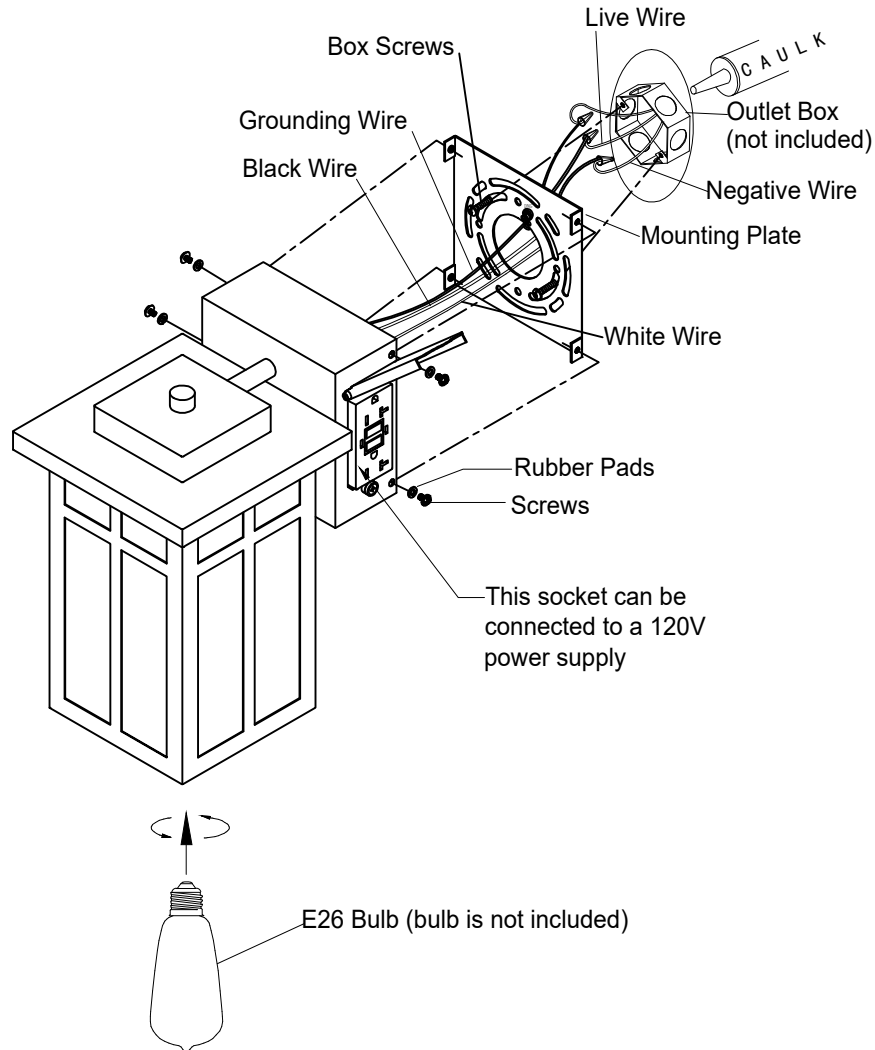


ASSEMBLY AND INSTALLATION INSTRUCTIONS

Model:CA2429-WGF

WARNING: TO AVOID RISK OF ELECTRICAL SHOCK, BE SURE TO SHUT OFF POWER WHILE INSTALLING OR SERVICING THIS FIXTURE

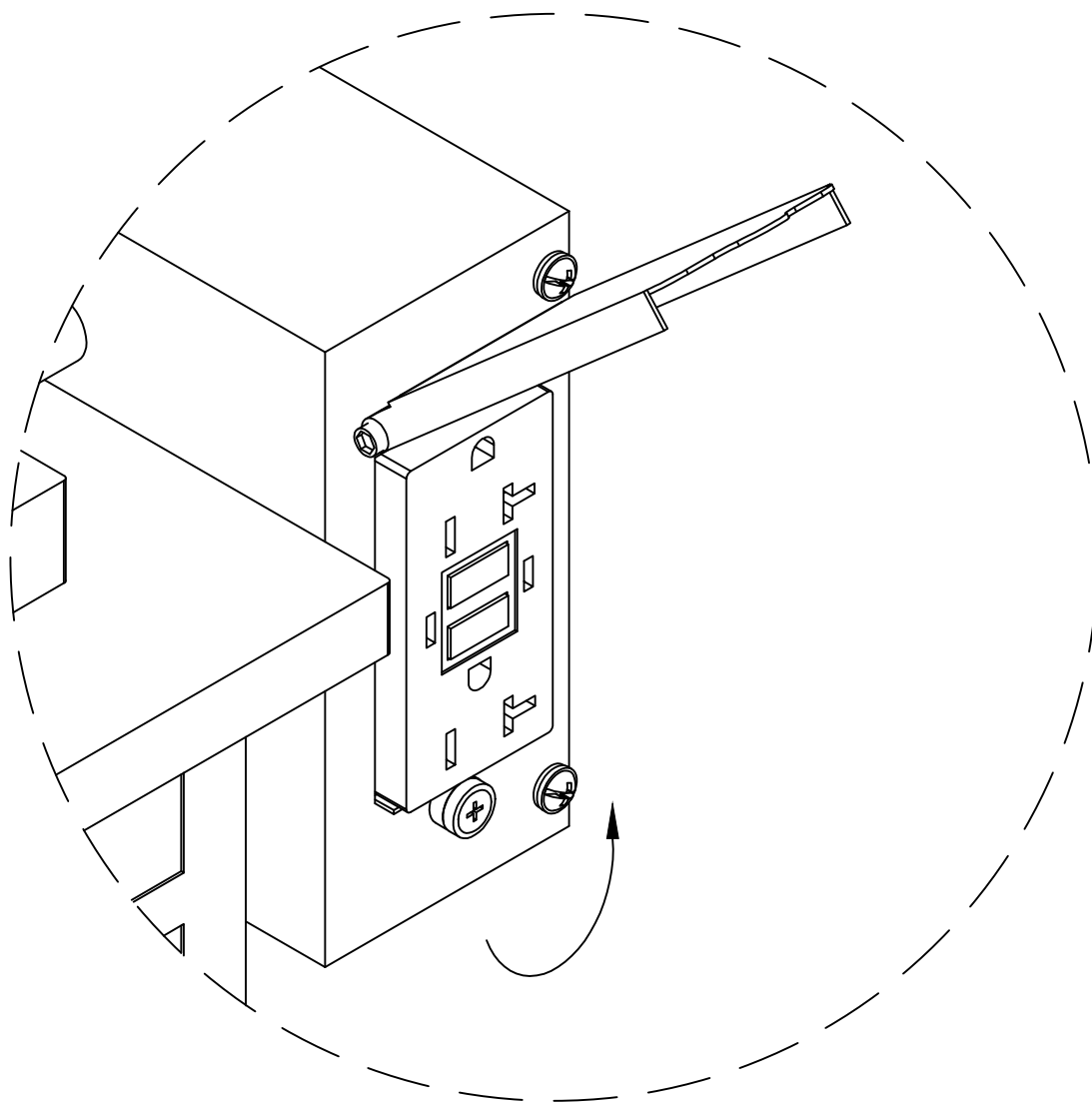
NOTES: 1.Before installing, consult local electrical codes for wiring and grounding requirements.
2.READ AND SAVE THESE INSTRUCTIONS.



- 1.Attach the mounting plate to the outlet box by using two mounting screws.
- 2.Pull out the wires and grounding wire from the outlet box. Make wire connections using the wire nuts, as follow:
 - Connect the hot wire(usually black insulation)from the fixture to the black wire from the power source.
 - Connect the neutral wire(usually white insulation)from the fixture to the white wire from the power source.
 - Attach the fixture grounding wire(usually green insulation or bare wire)to the mounting strap with the green grounding screw.Then connect it to the house grounding wire with the wire nut.Carefully put the wires back into the outlet box.
- 3.Insert the mounting plate into the back plate, align the four threaded holes on the mounting plate with the holes on the back plate, and secure it with four washers and four screws.
- 4.Install the E26 Bulb(bulb is not included).

CAUTION: With silicone caulking compound, caulk completely around where the back plate meets with the wall surface to prevent water from seeping into the outlet box.

Turn on the power at fuse or circuit box.



GFCI DIRECTION FOR USE

- ◆ Input Voltage: 120VAC 60HZ
- ◆ Max Load for GFCI Power: 1740W(max current 14.5A) for two outlets

Warning:

Connecting this GFCI with devices exceeding the rated power (MAX 1740W) and current (MAX14.5A) will damage the GFCI and lamp.

OPERATING INSTRUCTIONS

When leaving the factory, the socket has been installed properly, and after the installation of the light fixtures, when the power is turned on, the indicator light on the socket will turn green, indicating that the socket is functioning properly.

A: If the indicator light on the socket is not lit, it means that the entire light fixture is in a power-off state. In this case, the "RESET" button should be pressed when the main power is turned on. Once you hear a "ding" sound, the indicator light will turn green, and the socket and light fixtures will work properly.

B: If the "TEST" button is pressed, the light fixtures and socket will immediately power off and stop working. If you need to continue working, you will need to repeat the steps in option "A".

C: It is not possible to perform the steps in option "A" if the main power is not turned on, and the "RESET" button cannot be pressed.