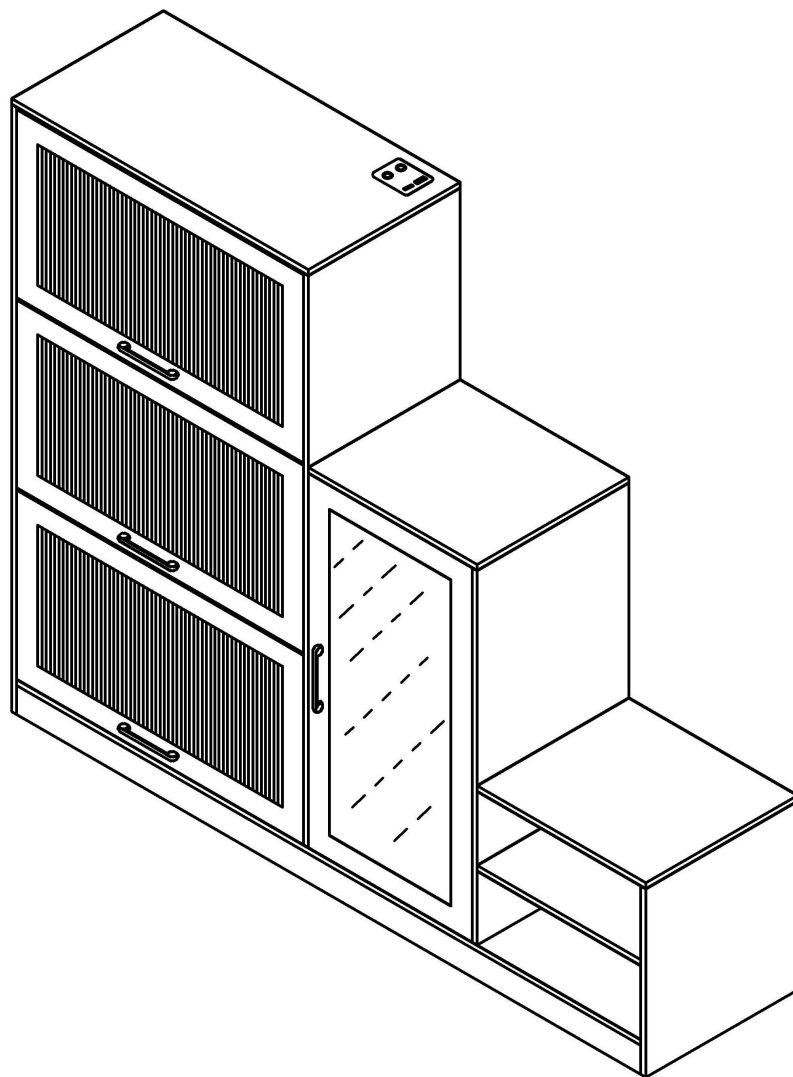
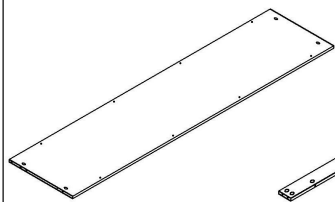
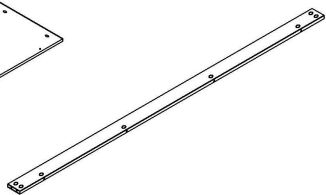


Product Installation Instructions

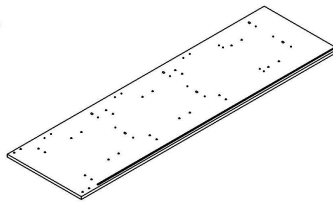




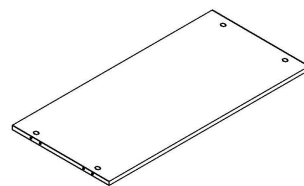
Ax1



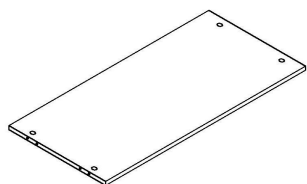
Bx2



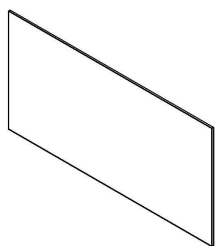
Cx1



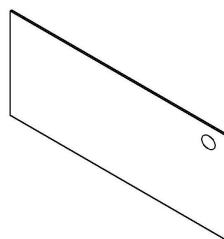
Dx1



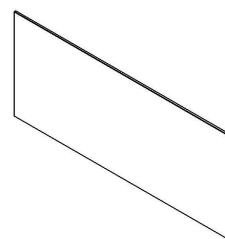
Ex1



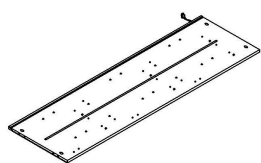
Fx1



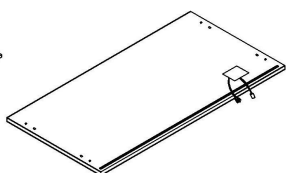
G1x1



G2x1



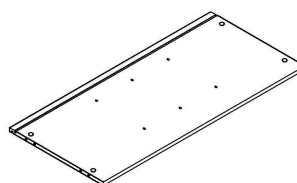
Hx1



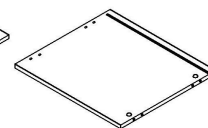
Ix1



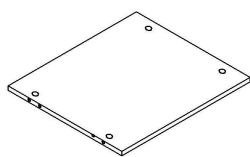
Jx1



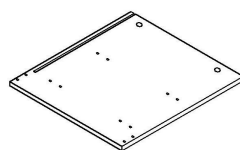
Kx1



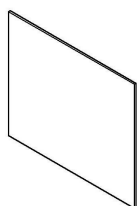
Lx1



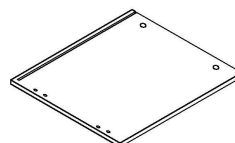
Mx1



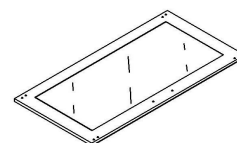
Nx1



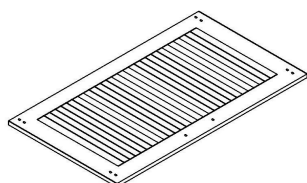
Ox1



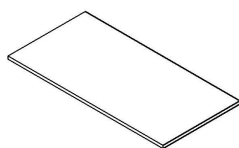
Px1



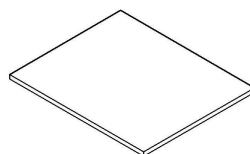
Qx1



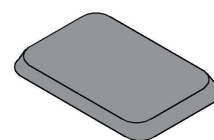
Rx3



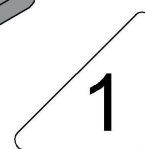
Sx3



Tx1



Rx1

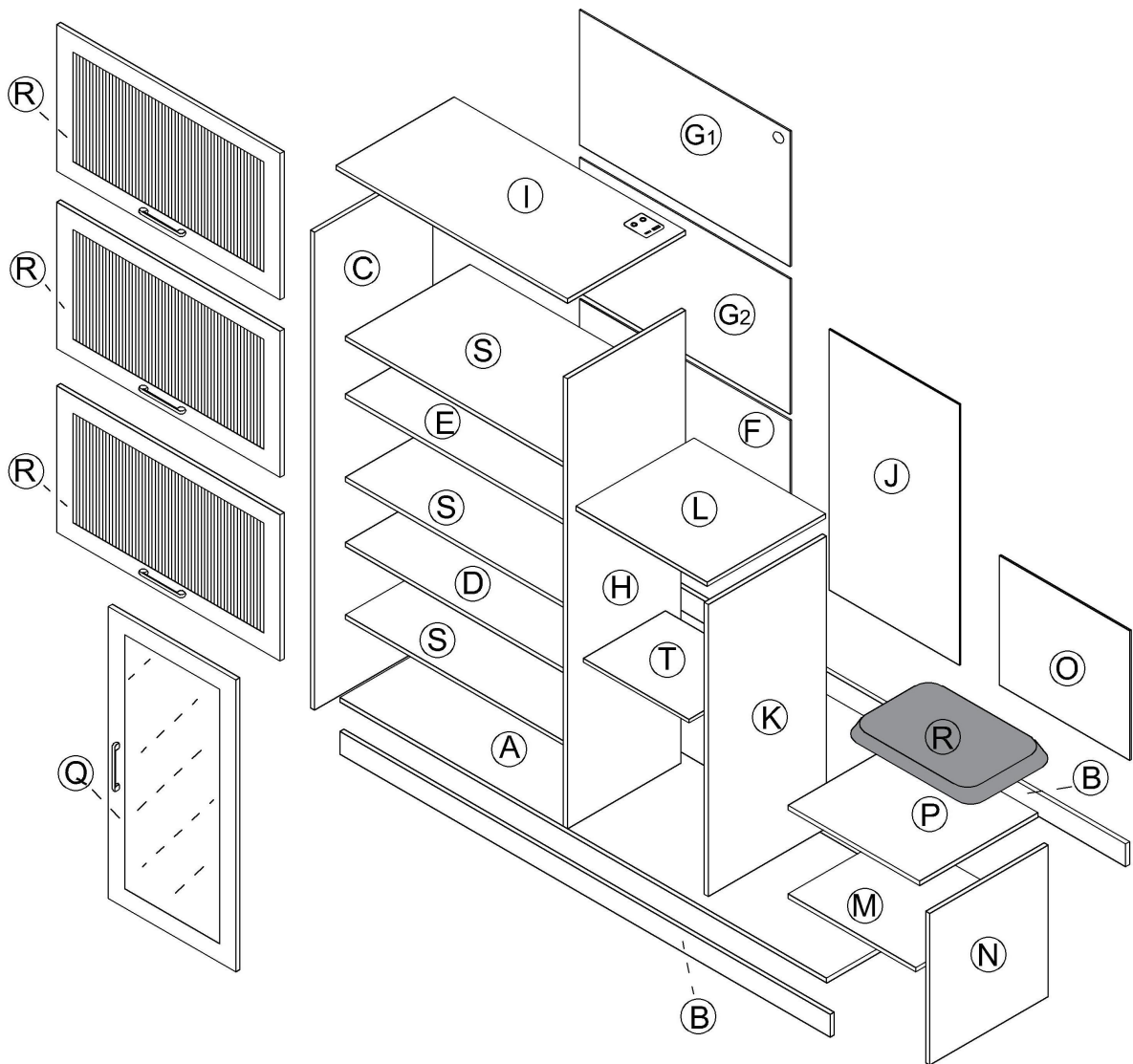


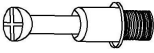
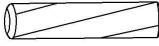
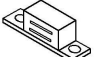




1

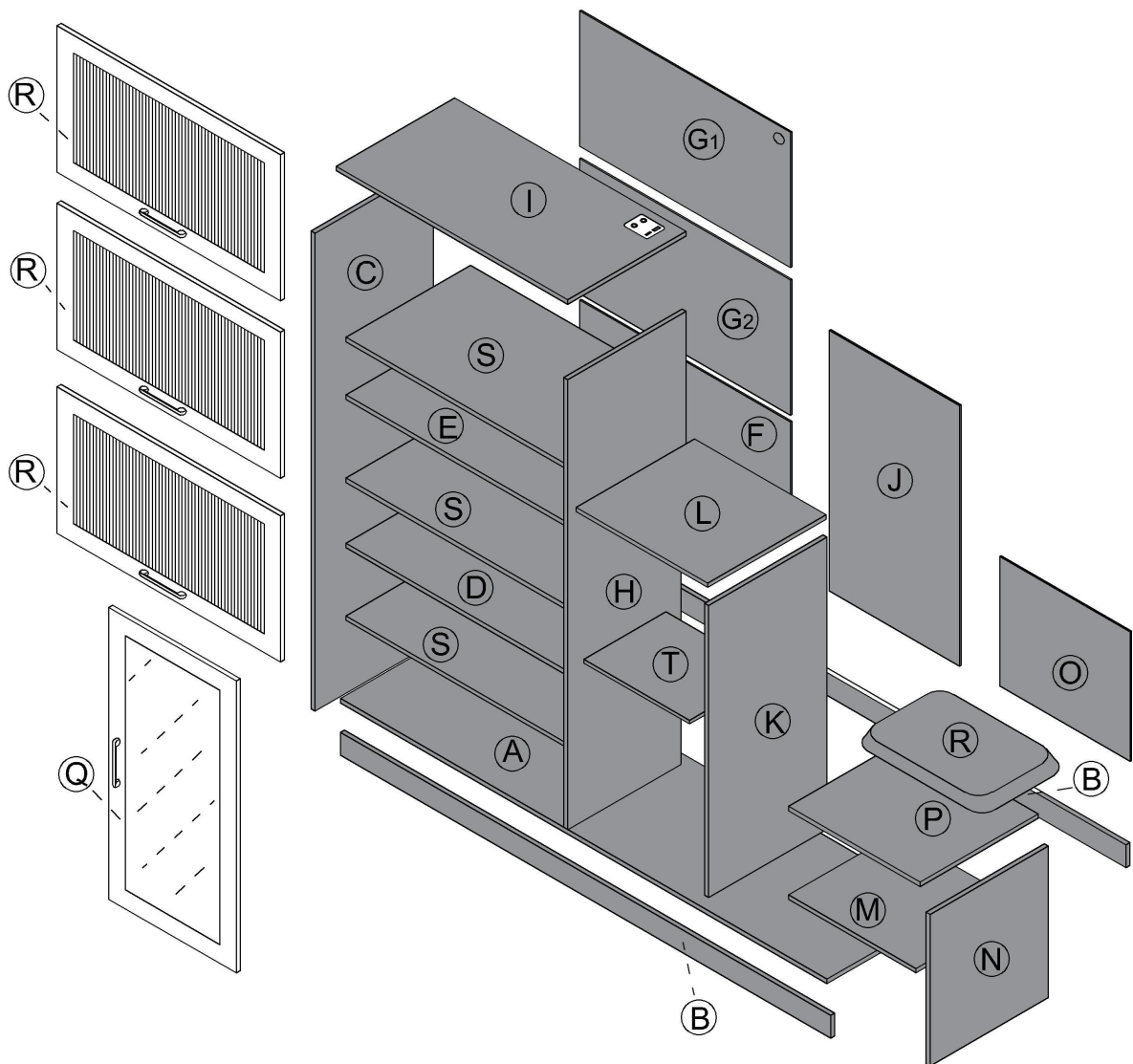
Accessories list

①		Two In One Screw (6x28mm)	48pcs +4pcs
②		Two In One Nut (10x12mm)	48pcs +4pcs
③		Wood Chipping (6x30mm)	32pcs +4pcs
④		Handle & Screw (4x16mm)	8pcs +2pcs 4pcs
⑤		Non-slip pads	8pcs +2pcs
⑥		Magnetic Attraction & Screw (3x10mm)	16pcs +2pcs 8pcs
⑦		Laminate Support Nail	16pcs +2pcs
⑧		Iron Sheet & Screw (3x10mm)	16pcs +2pcs 8pcs
⑨		Rail Iron Hook & Screw (3.5x12mm)	12pcs +2pcs 6pcs
⑩		Cabinet Door Hinge & Screw (3x12mm)	4pcs +1pcs 2pcs
⑪		Rubber Strip Guide & Screw (3x16MM)	18pcs +2pcs 6pcs
⑫		Fixing Clip & Screw (3x16mm)	14pcs +1pcs
⑬		Foot Nail	4pcs +2pcs
⑭		Double Sided Tape	2pcs
		AC/DC Adapter (12V= 3.0A)	1pcs
 1pcs  Double-head screwdriver, use as required 			

Product structure decomposition



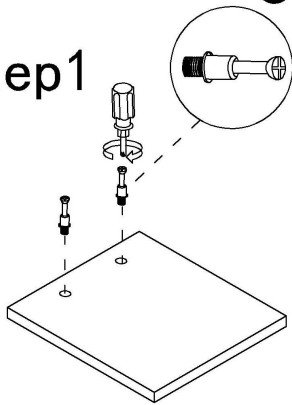
①		48pcs	③		32pcs	⑥		8pcs		16pcs
②		48pcs	⑤		8pcs	⑦				16pcs



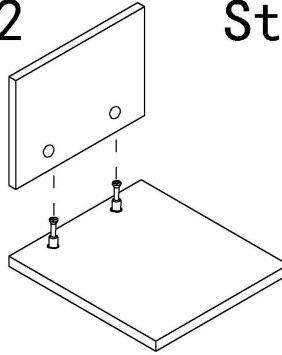
4

Use parts ① and ②

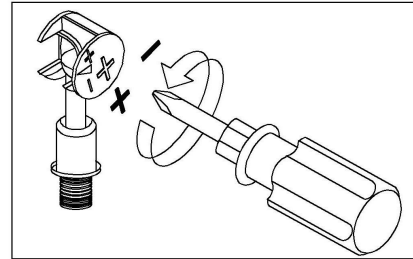
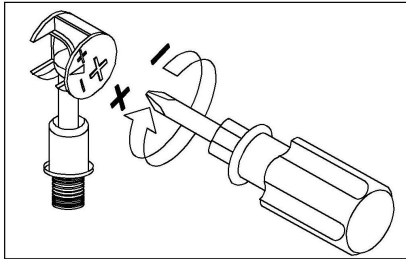
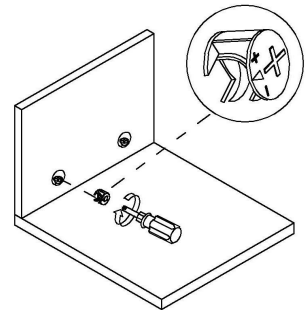
Step1



Step2



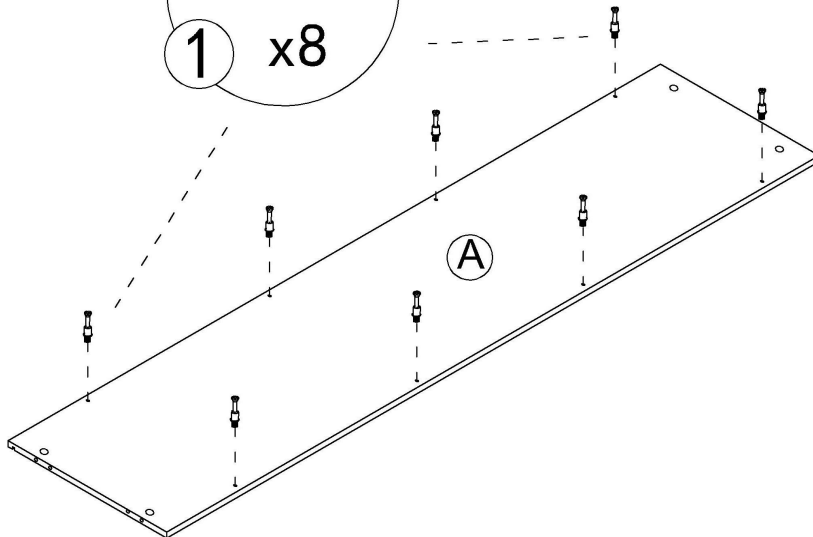
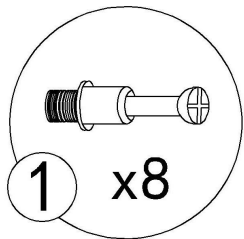
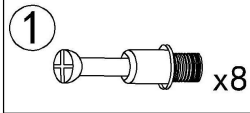
Step3



Use a screwdriver to lock in the direction of the "+" sign

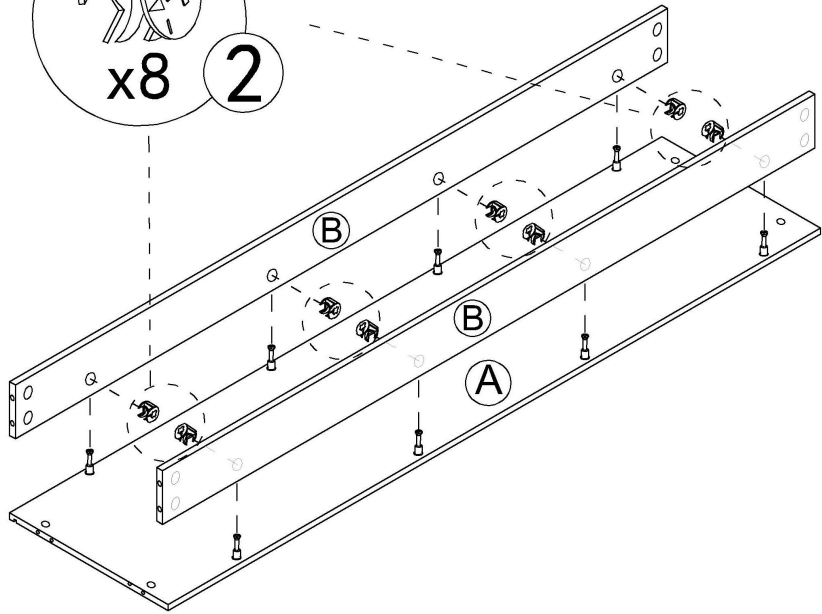
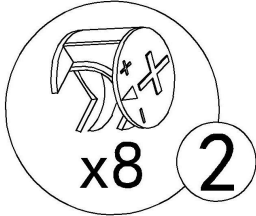
Disassemble along the direction of "-" sign

Step 1

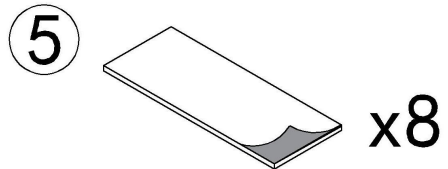


5

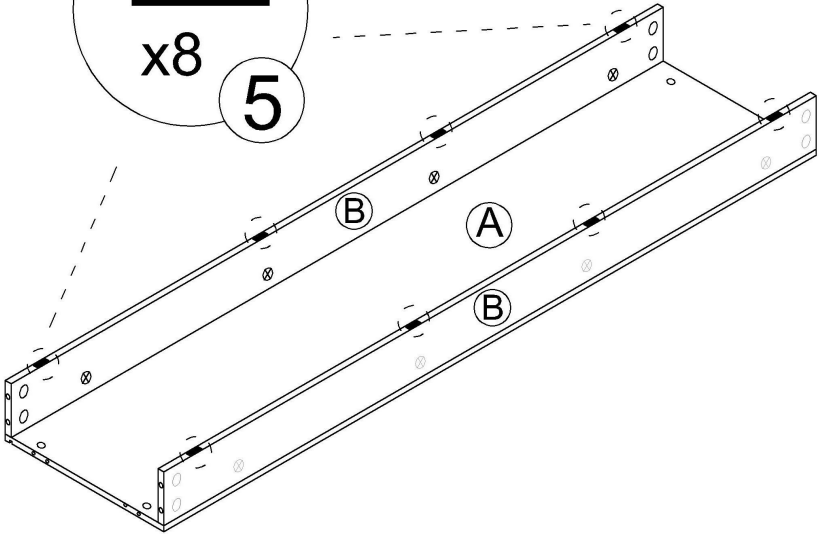
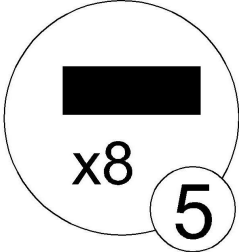
Step 2



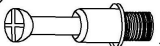
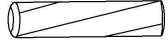
Step 3

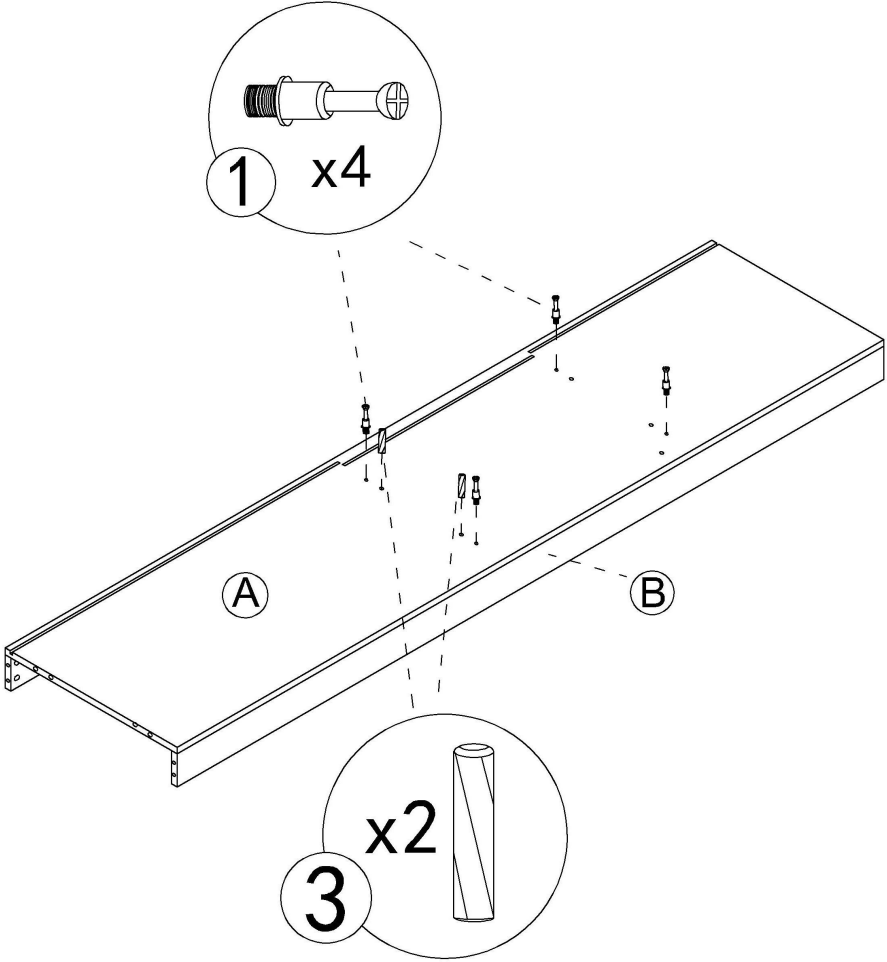


Tear off release paper and stick the black foot pad on the board

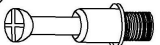




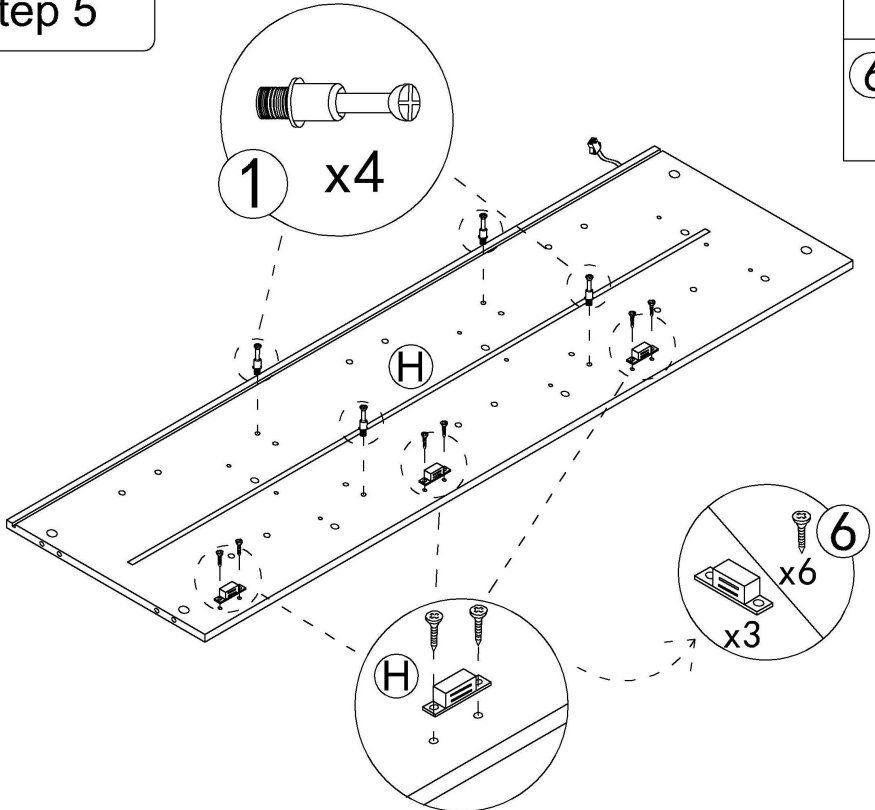
Step 4

- ①  x4
- ③  x2

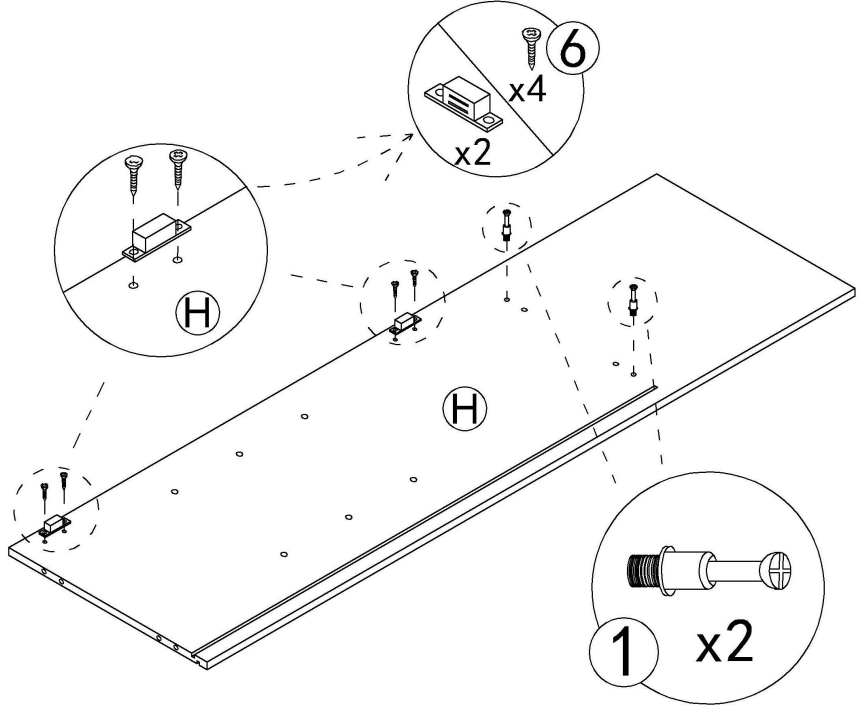


Step 5

- 1  x6
- 6  x5  x10

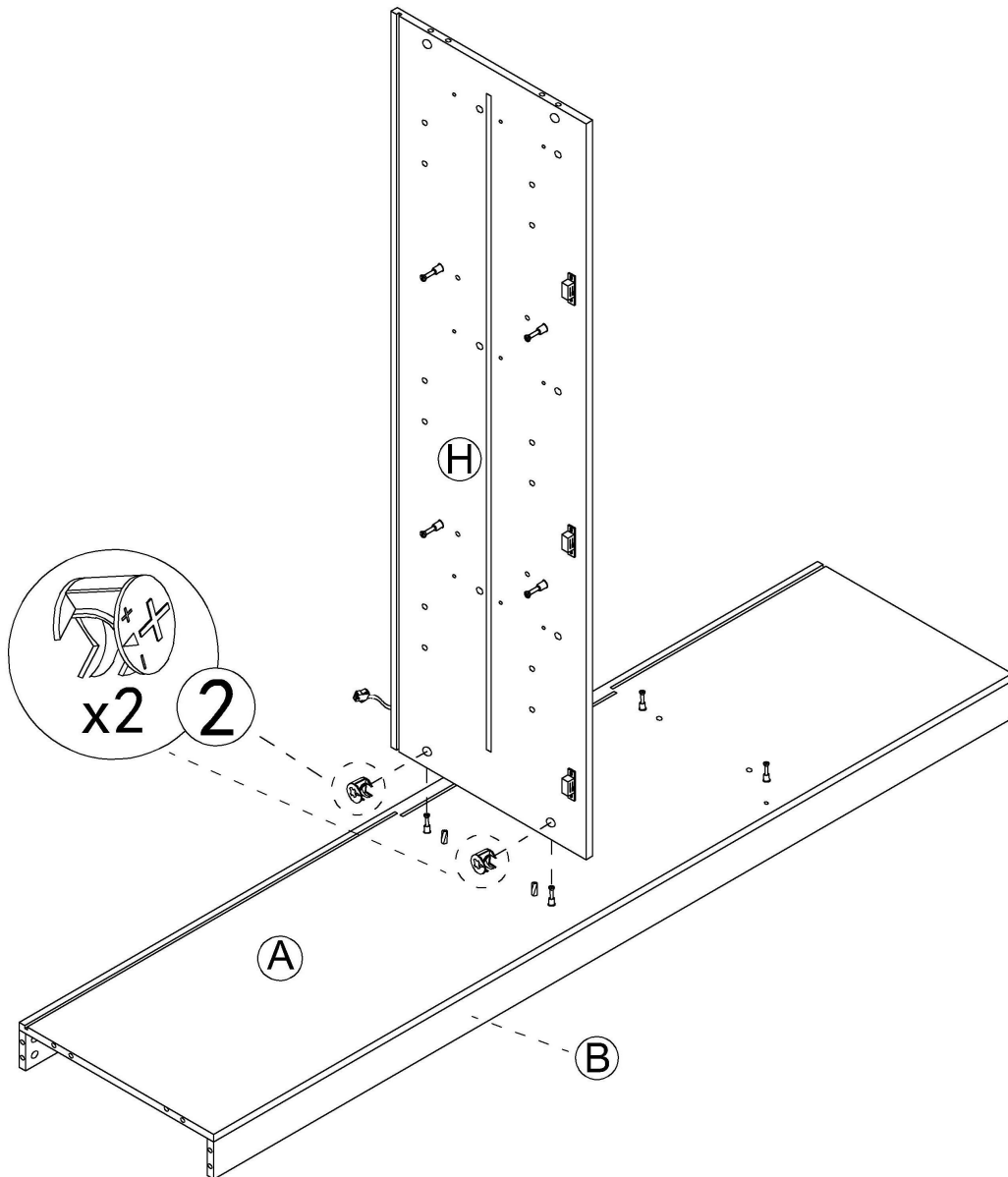


Pay attention to the direction of the door magnet

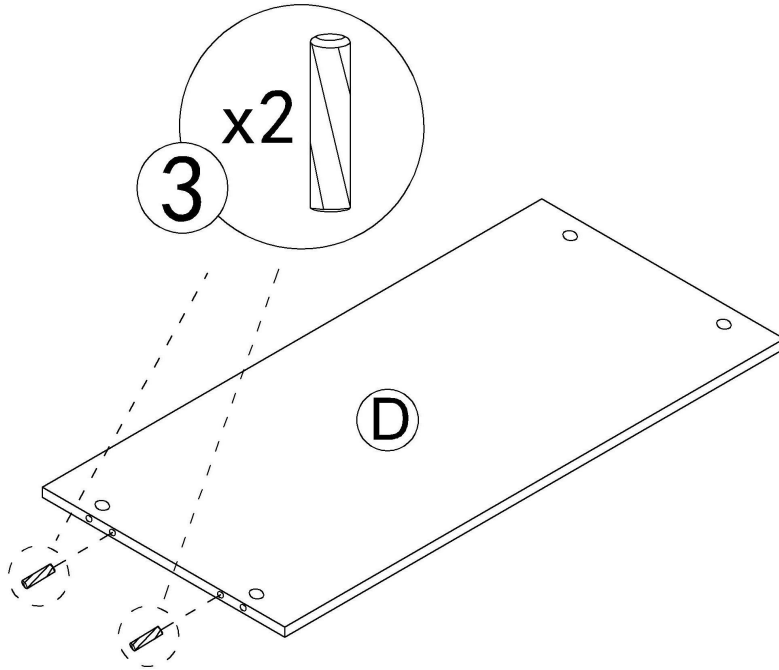
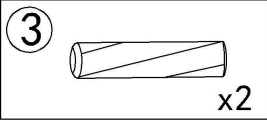


Step 6

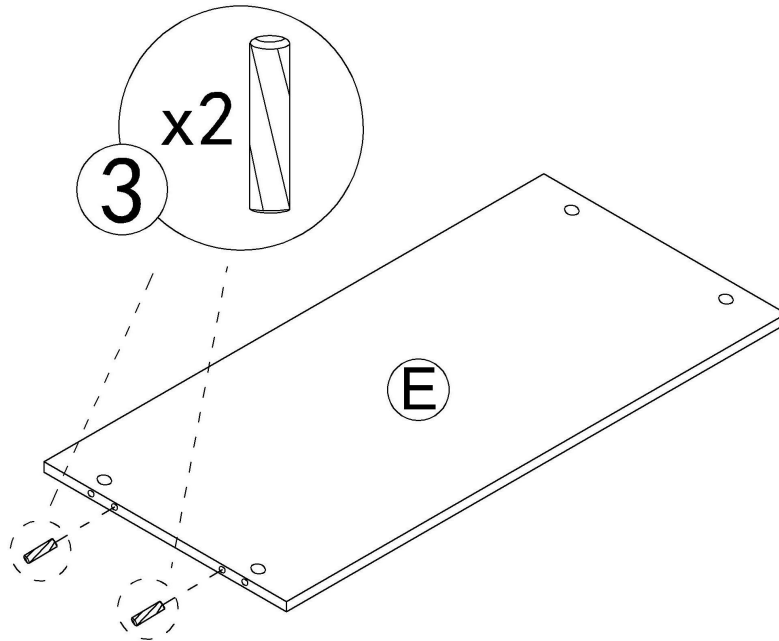
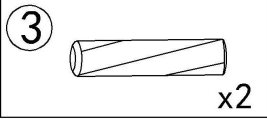
2  x2



Step 7

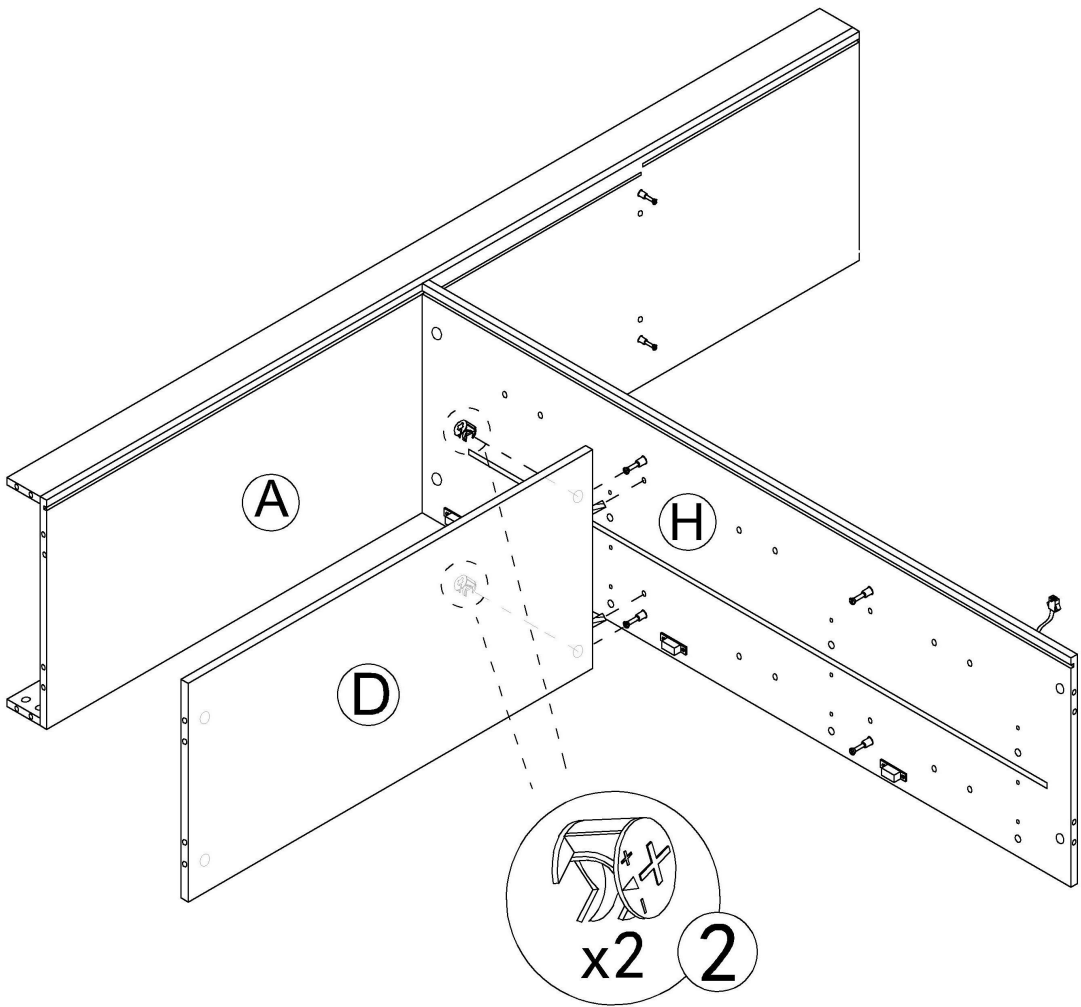


Step 8



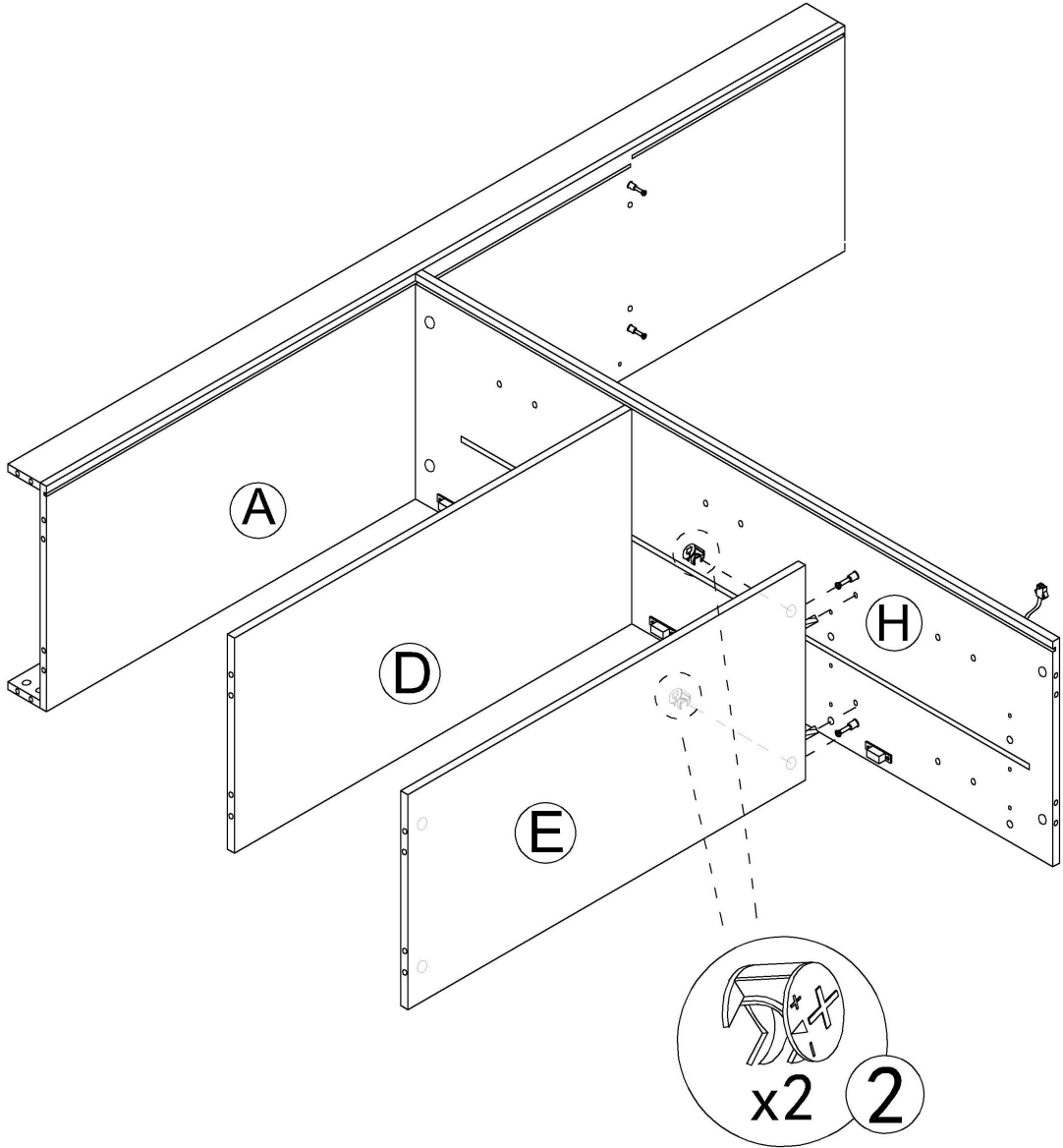
Step 9

2  x2

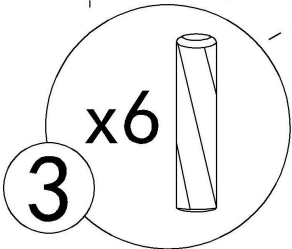
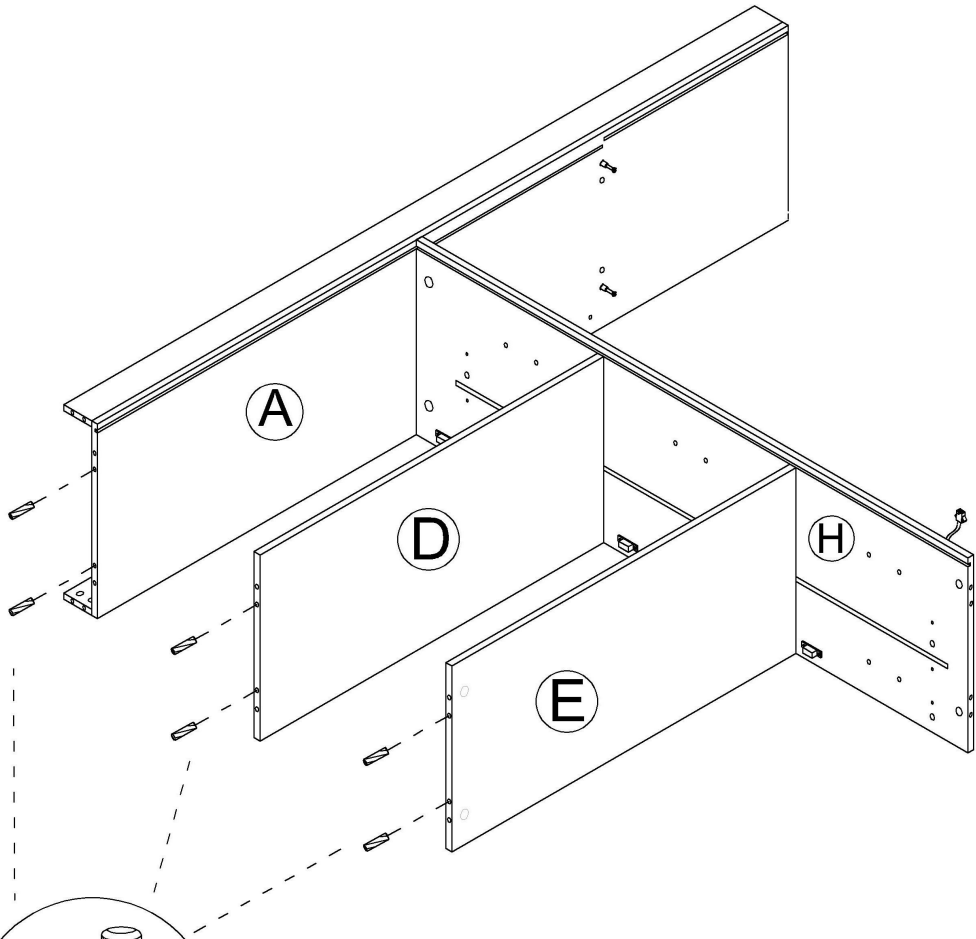
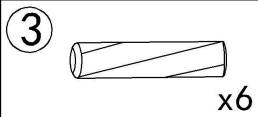


Step 10

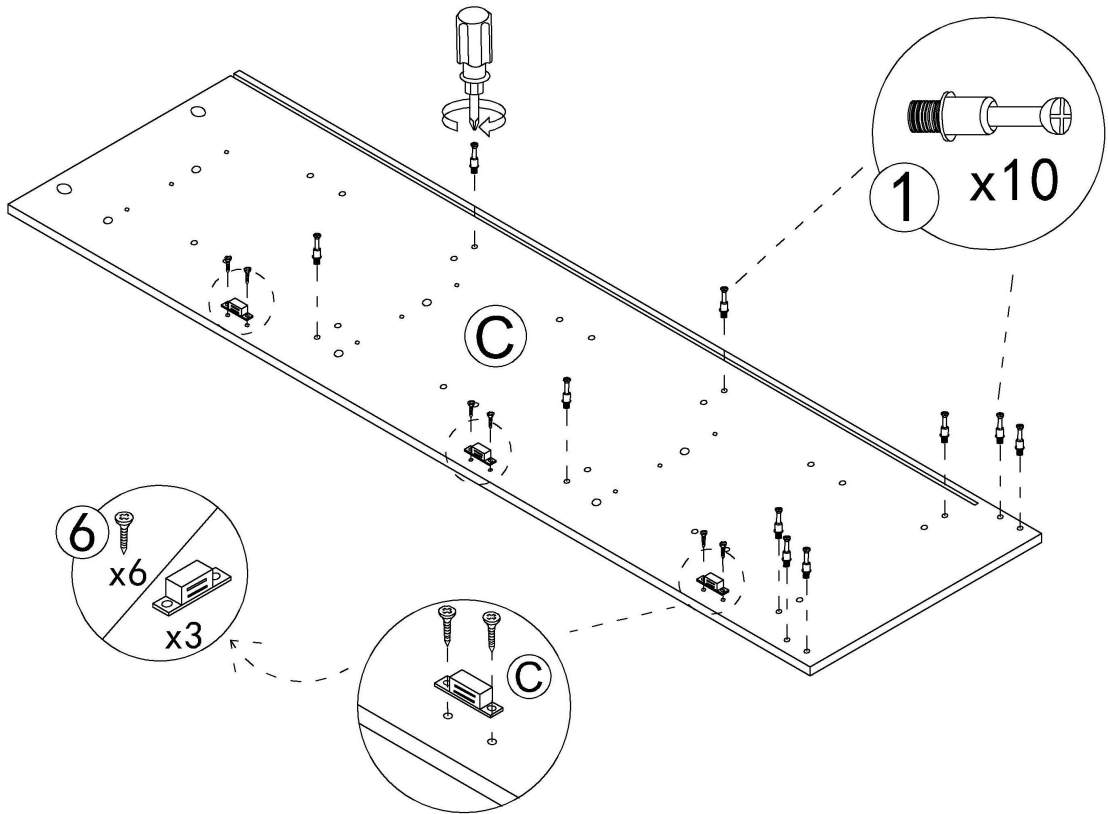
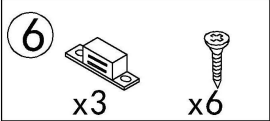
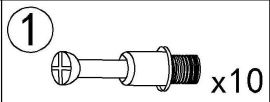
2  x2



Step 11

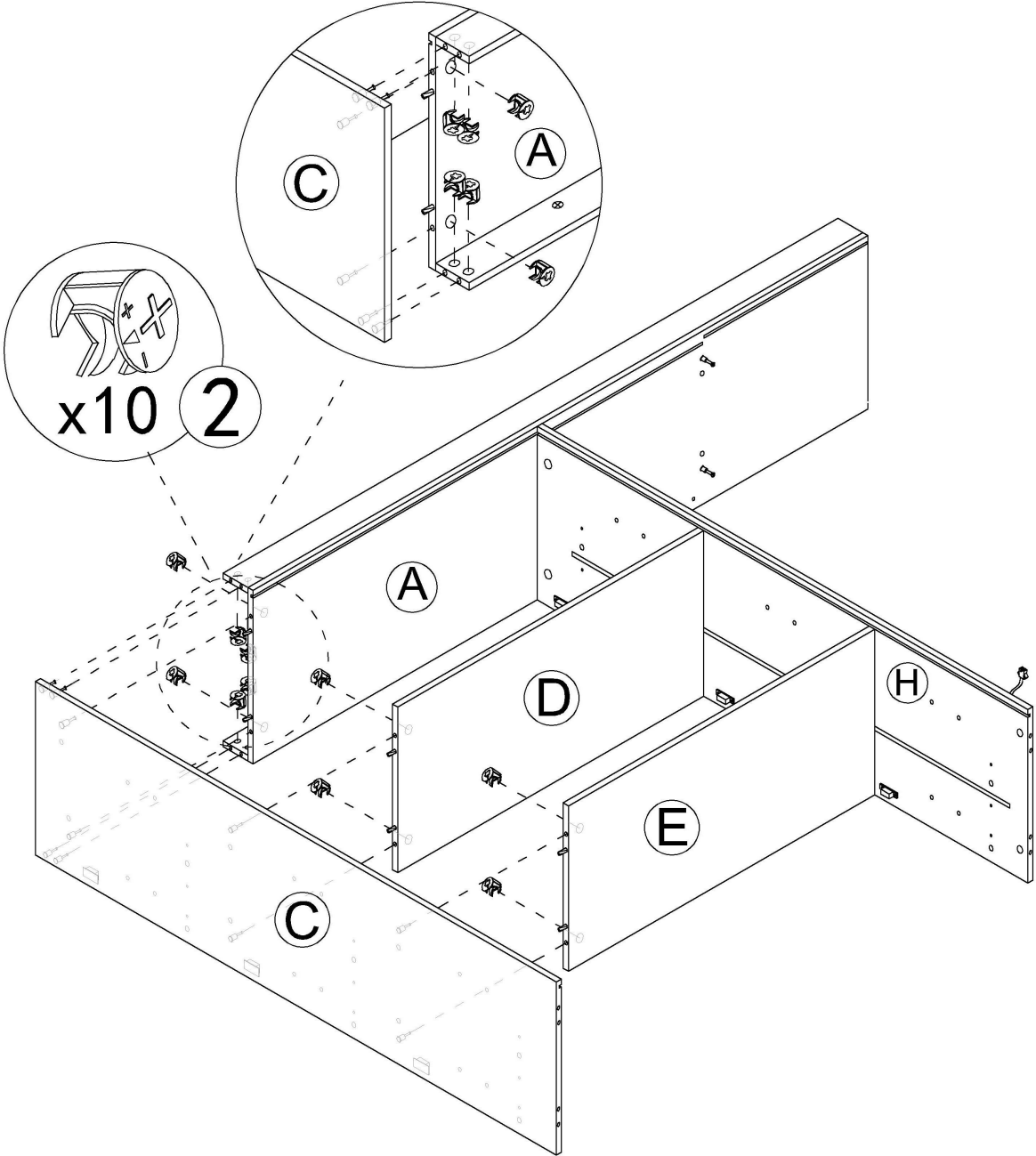


Step 12

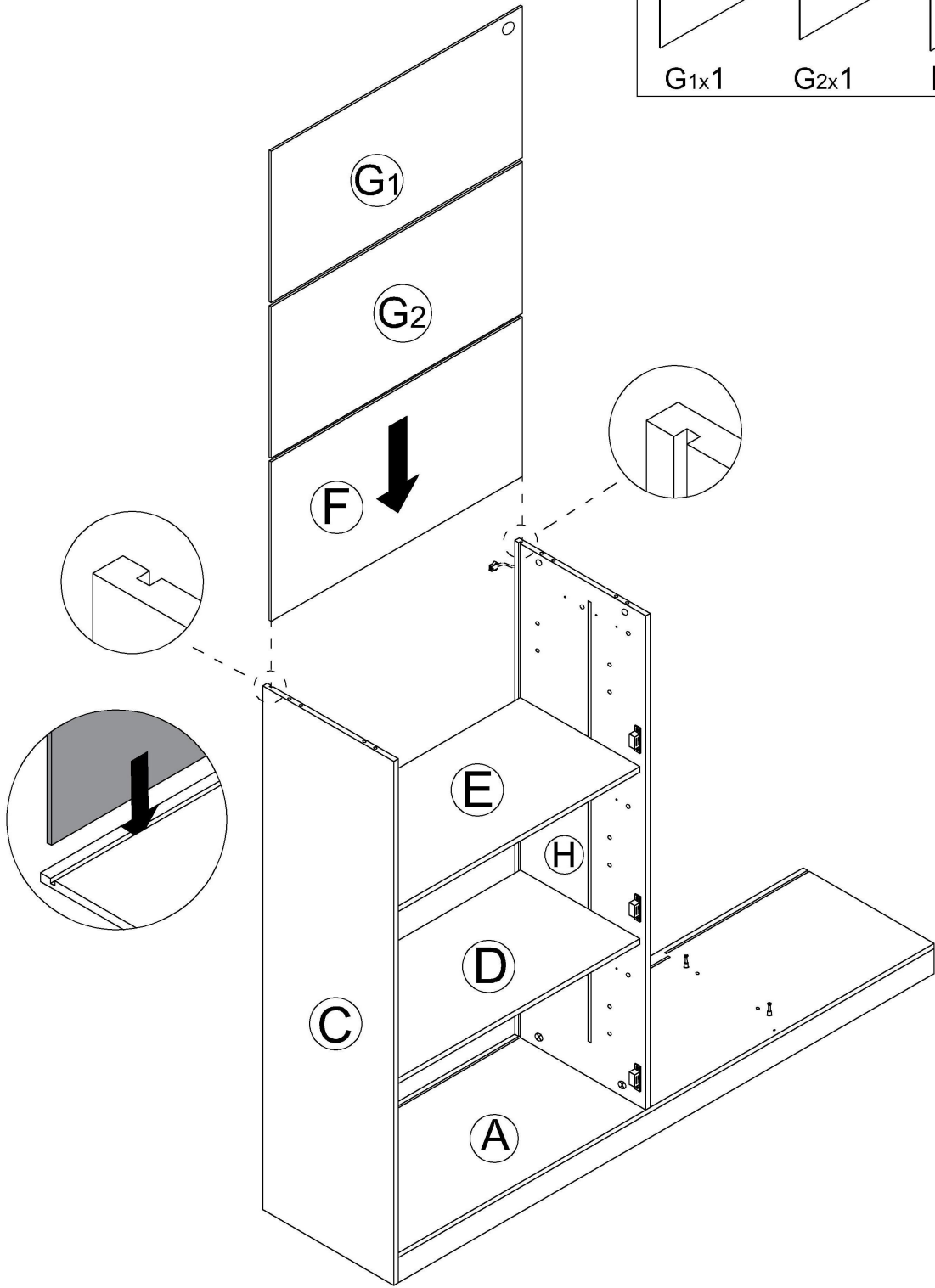
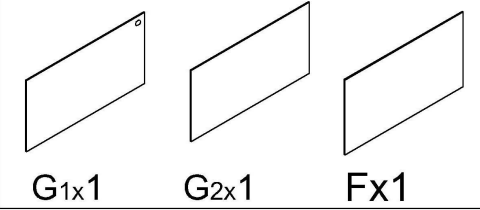


Step 13

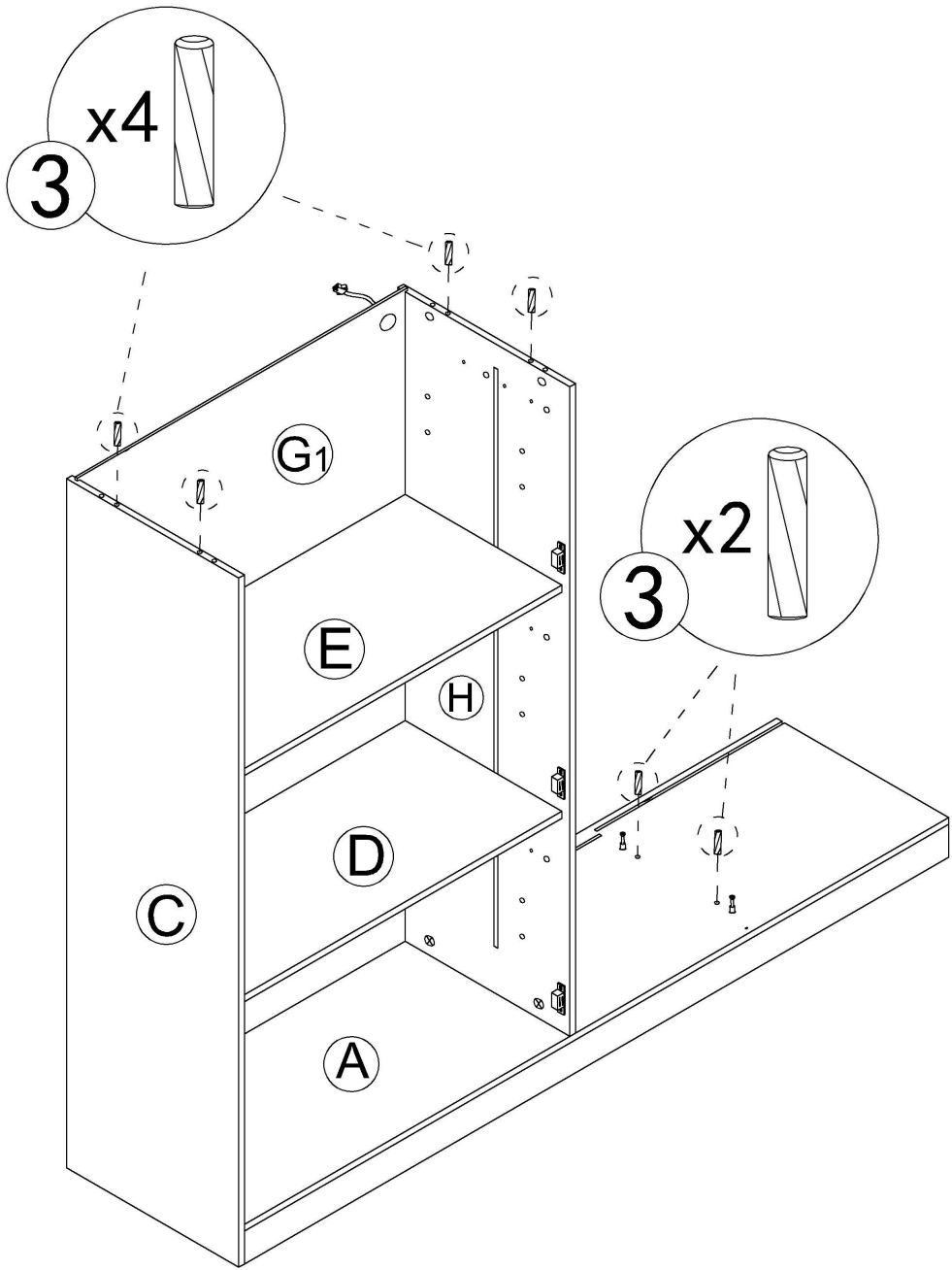
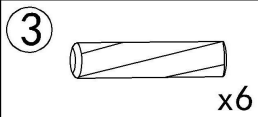
2  x10



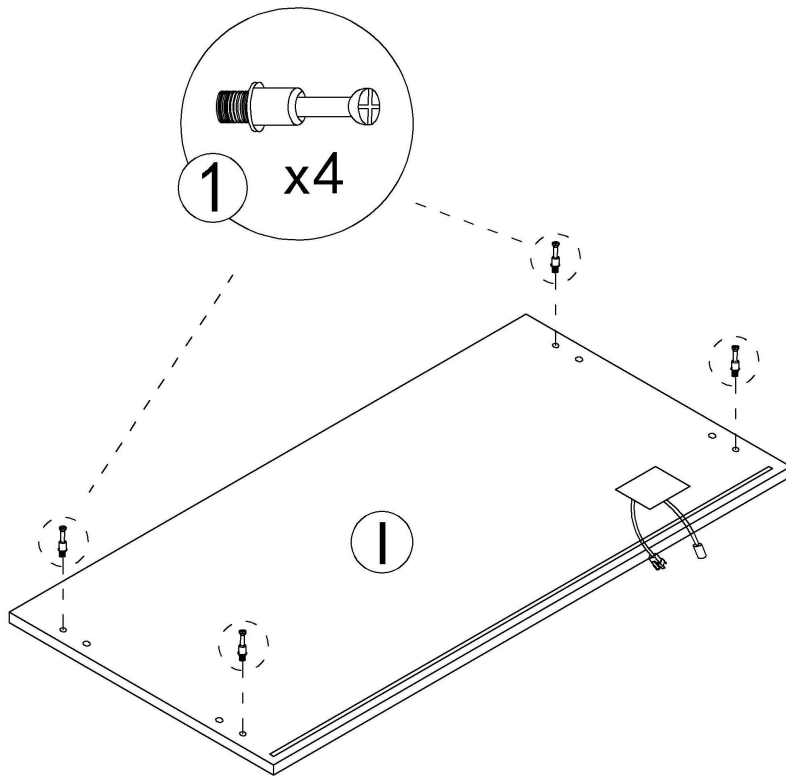
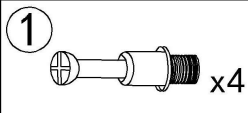
Step 14



Step 15

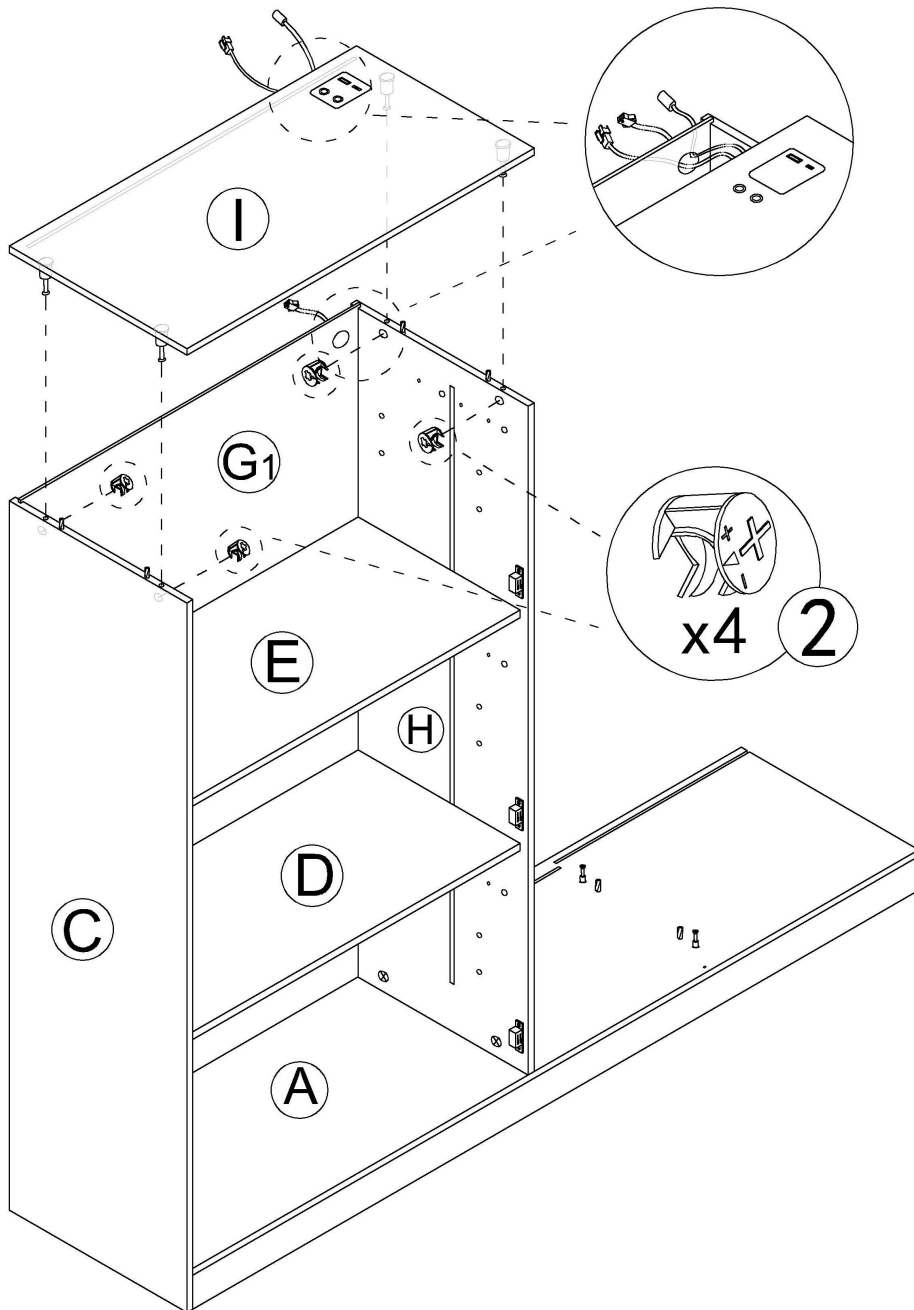


Step 16

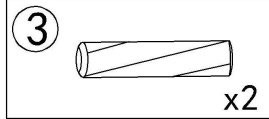
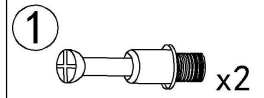
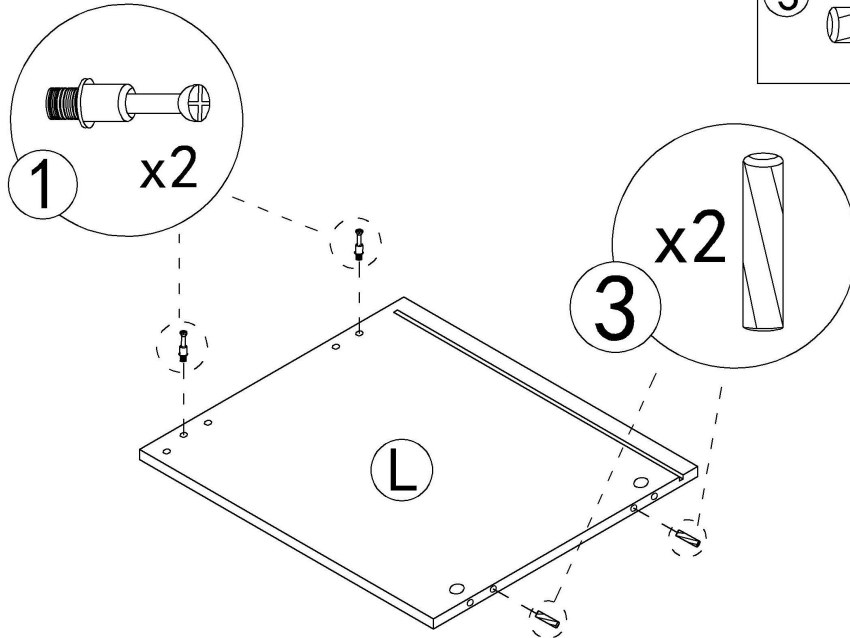


Step 17

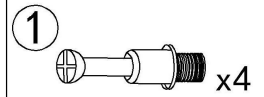
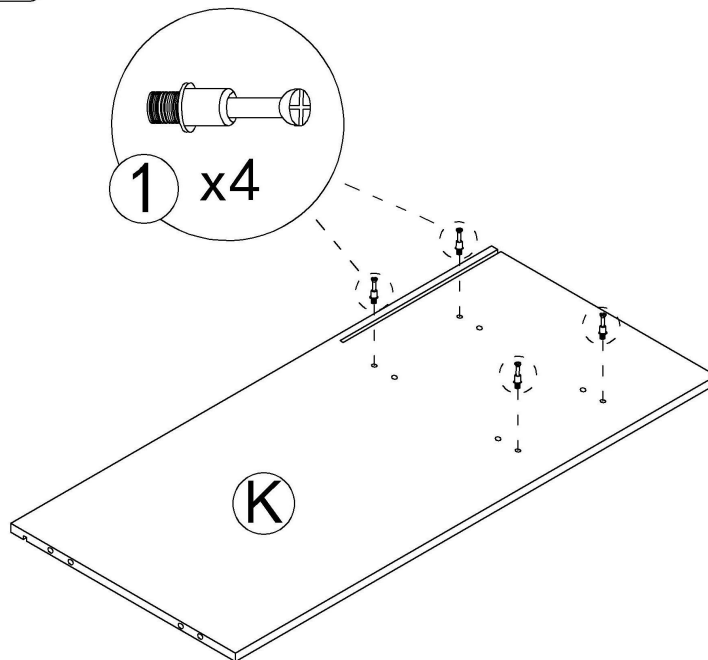
2  x4



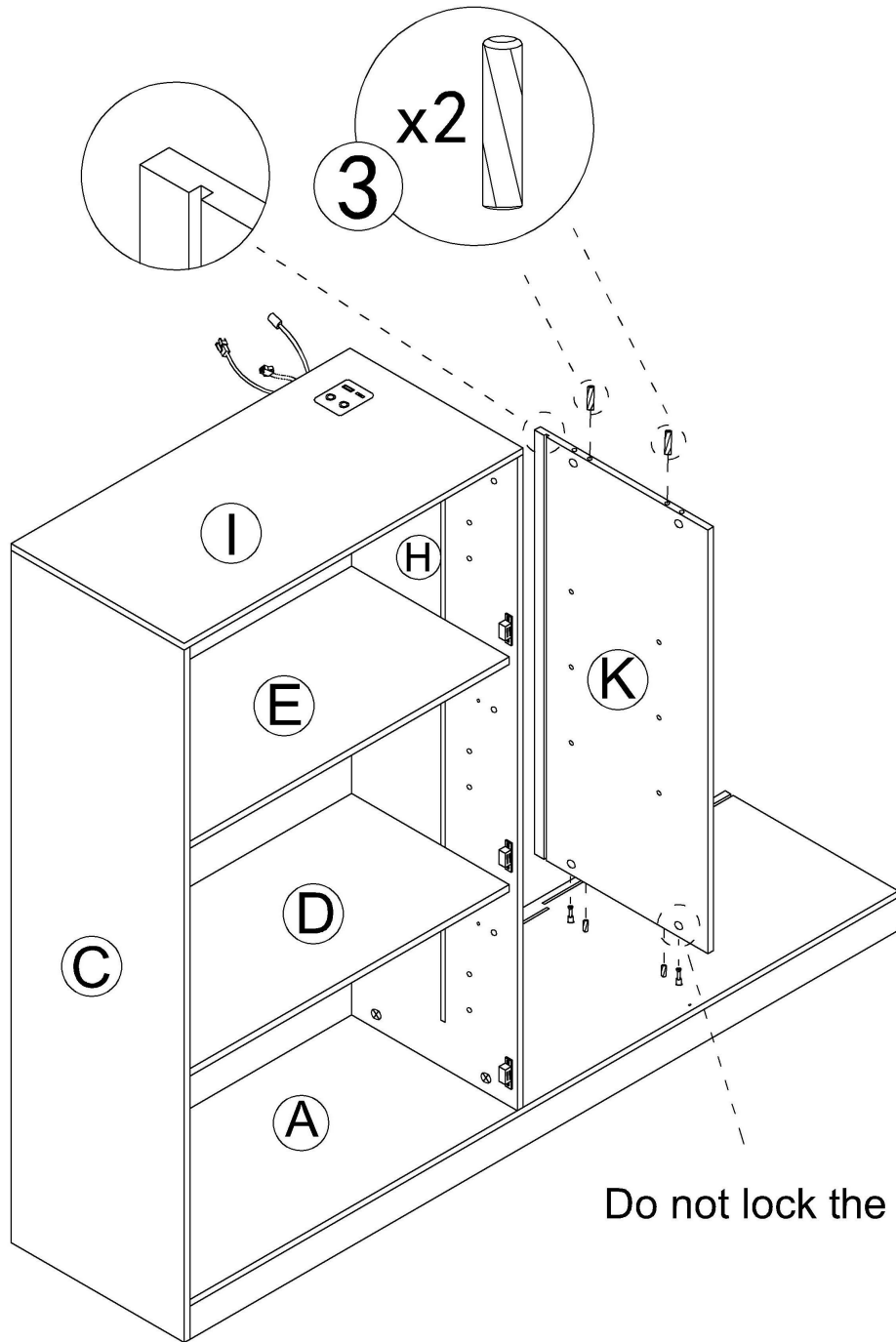
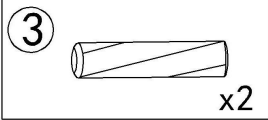
Step 18



Step 19

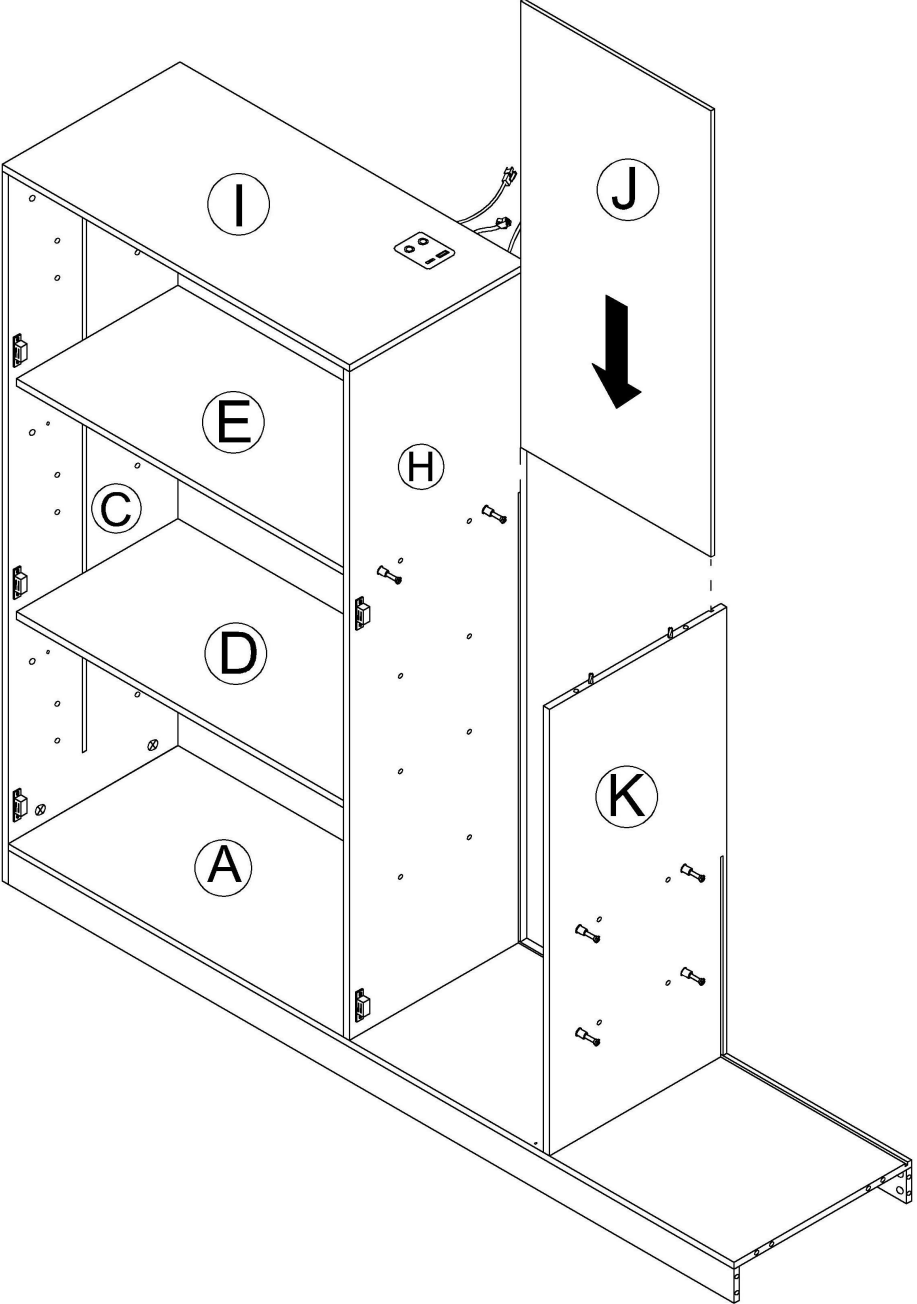
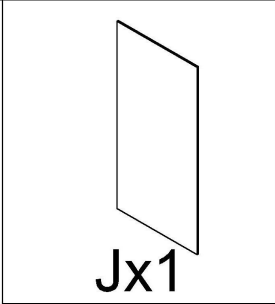


Step 20

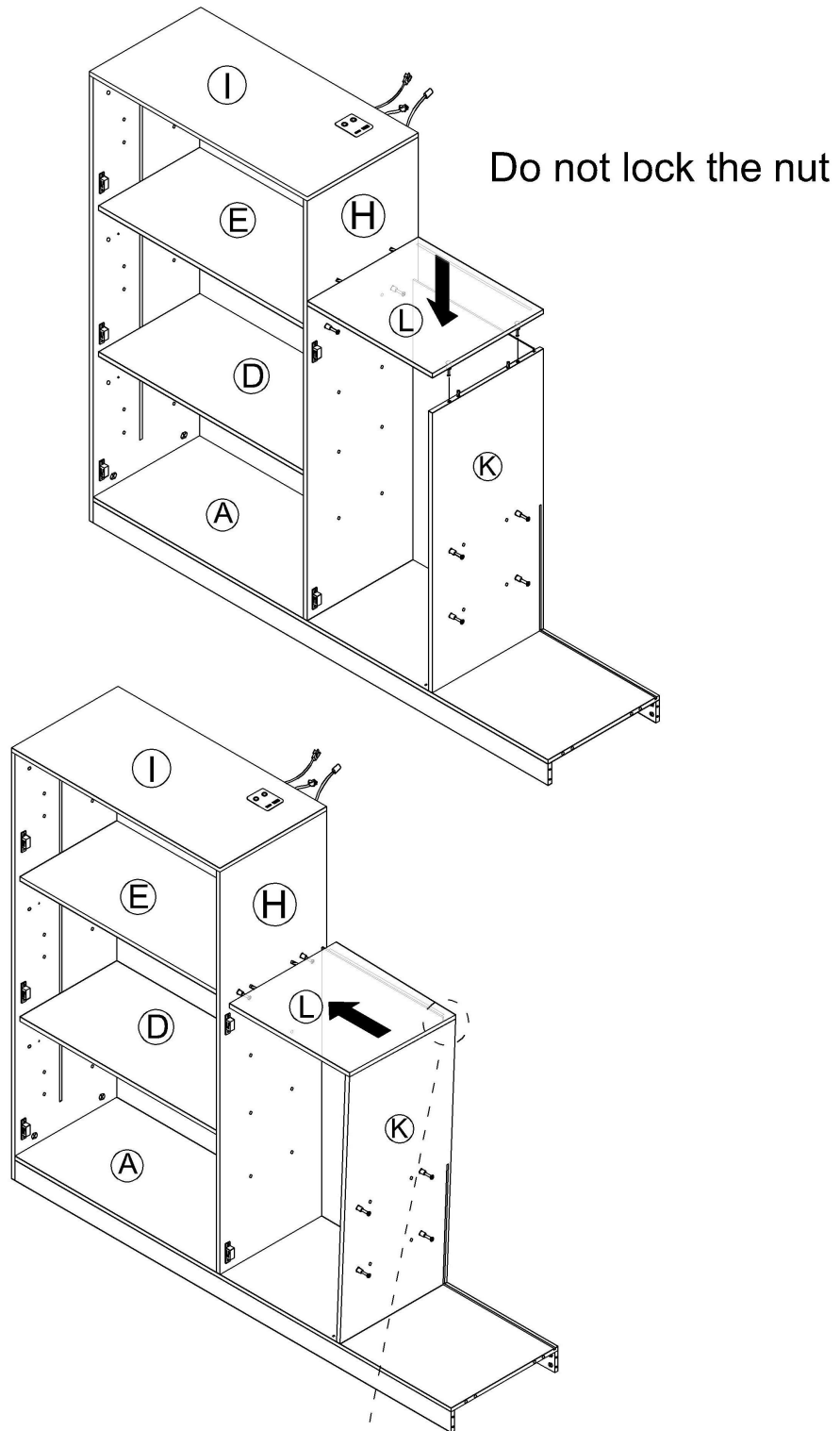


Do not lock the nut

Step 21



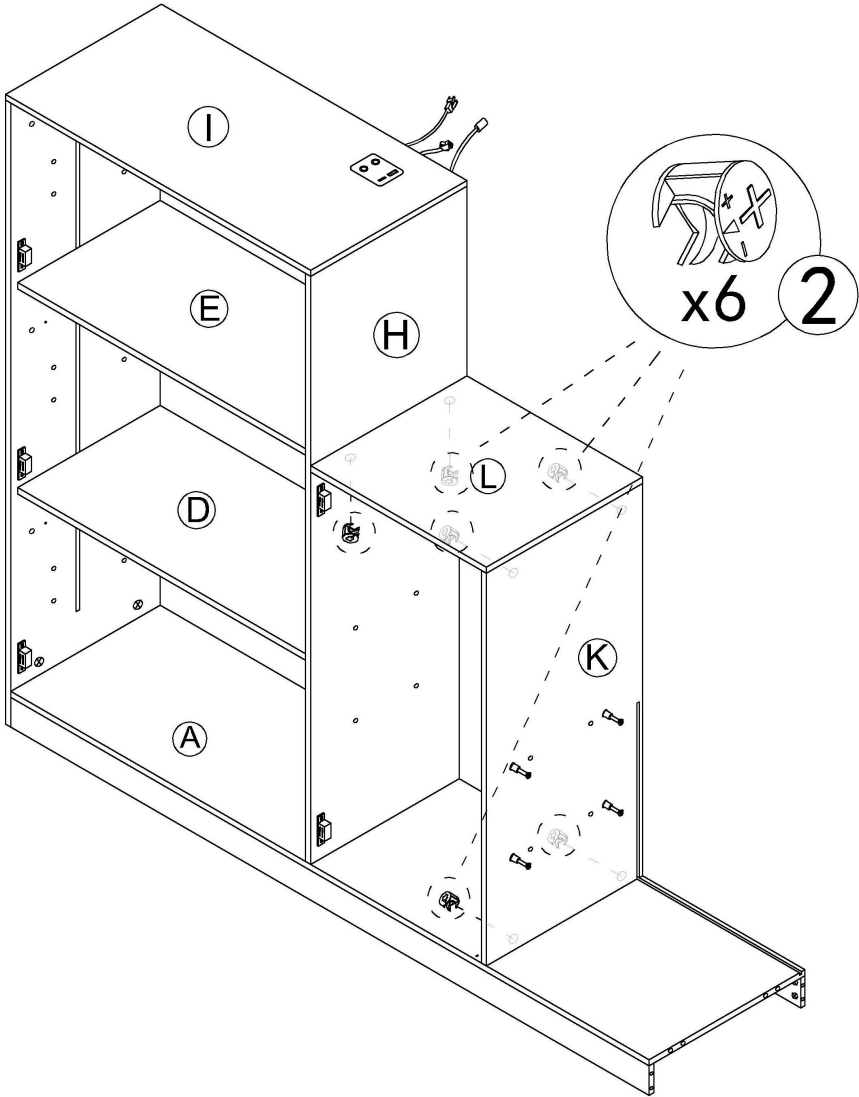
Step 22



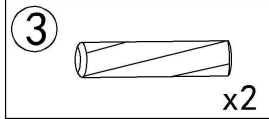
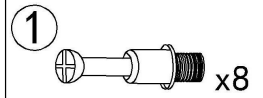
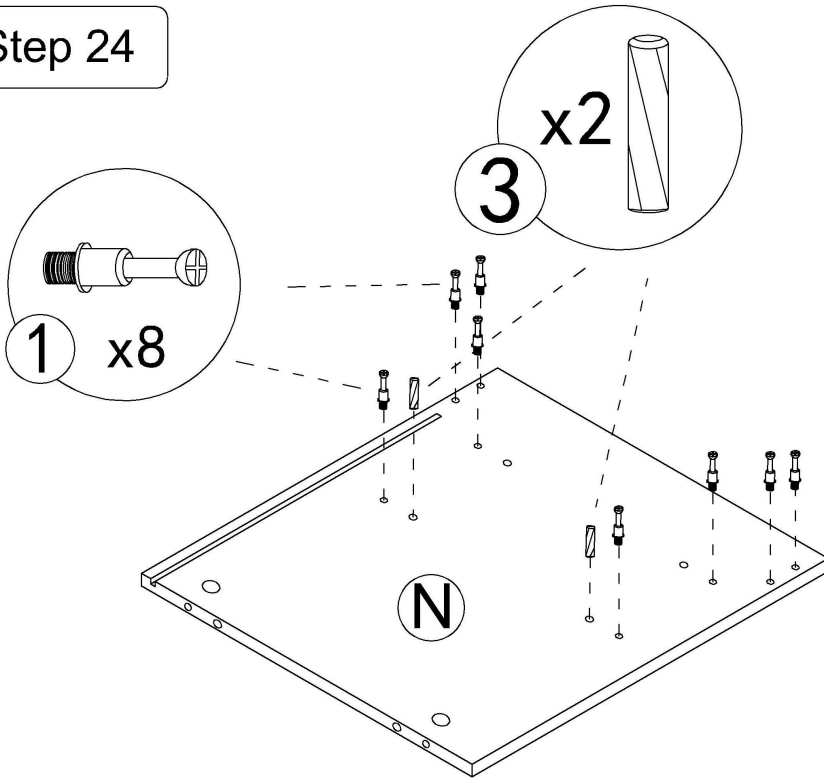
Bend the K board outward a bit to facilitate the installation of the L board

Step 23

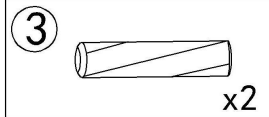
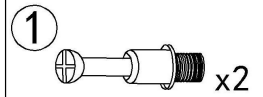
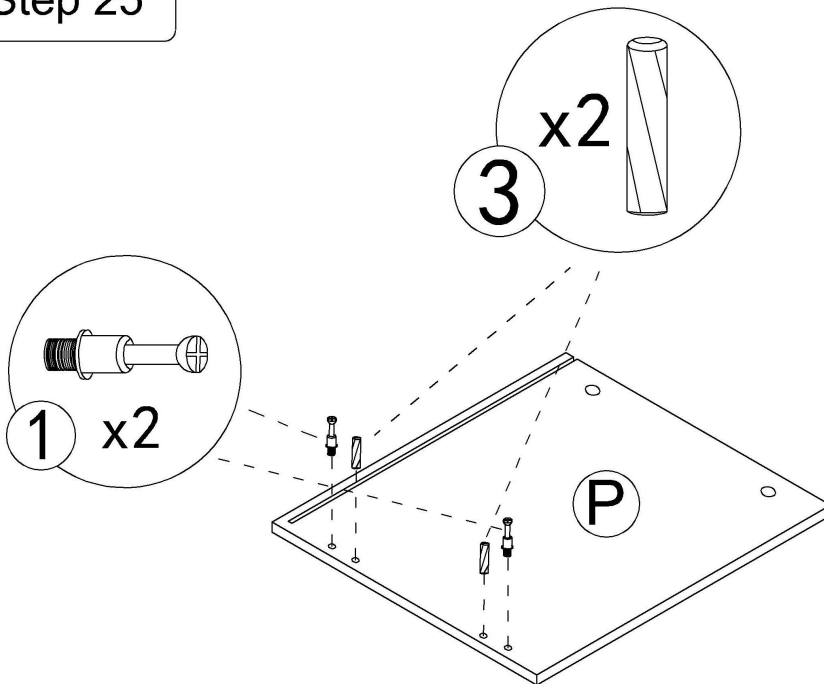
2  x6



Step 24

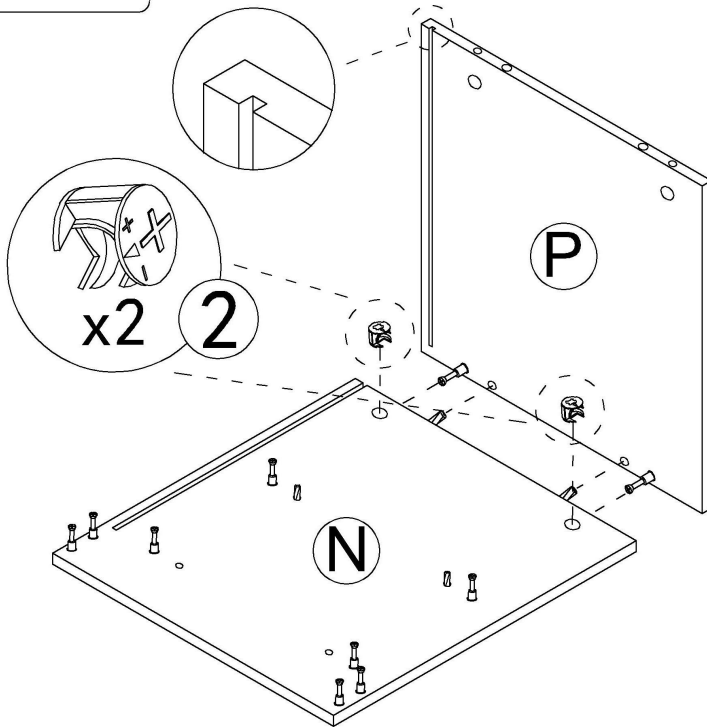


Step 25




Step 26

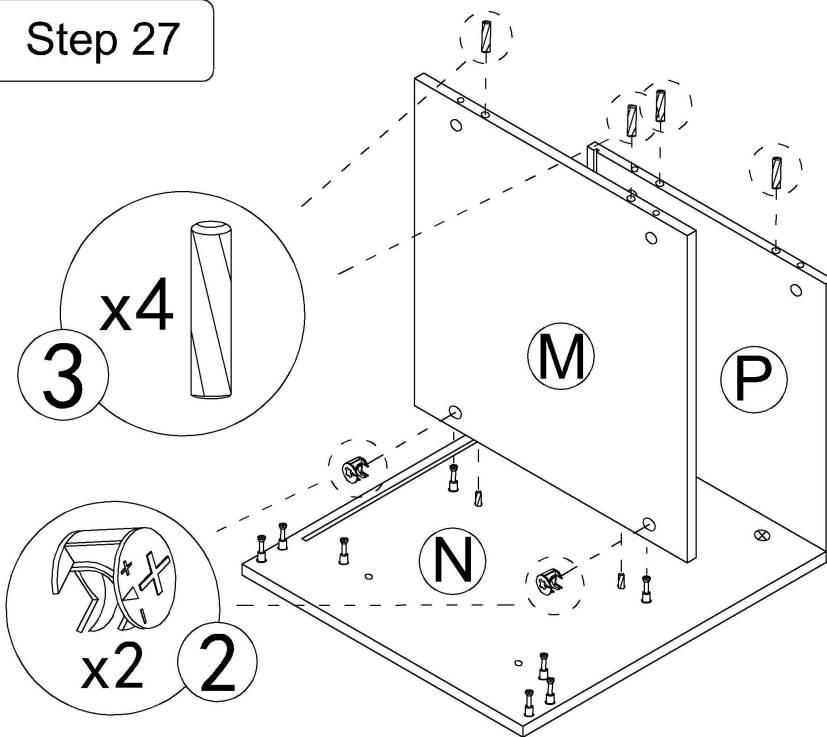
②  x2



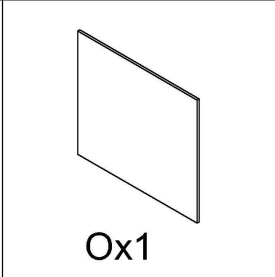
Step 27

②  x2

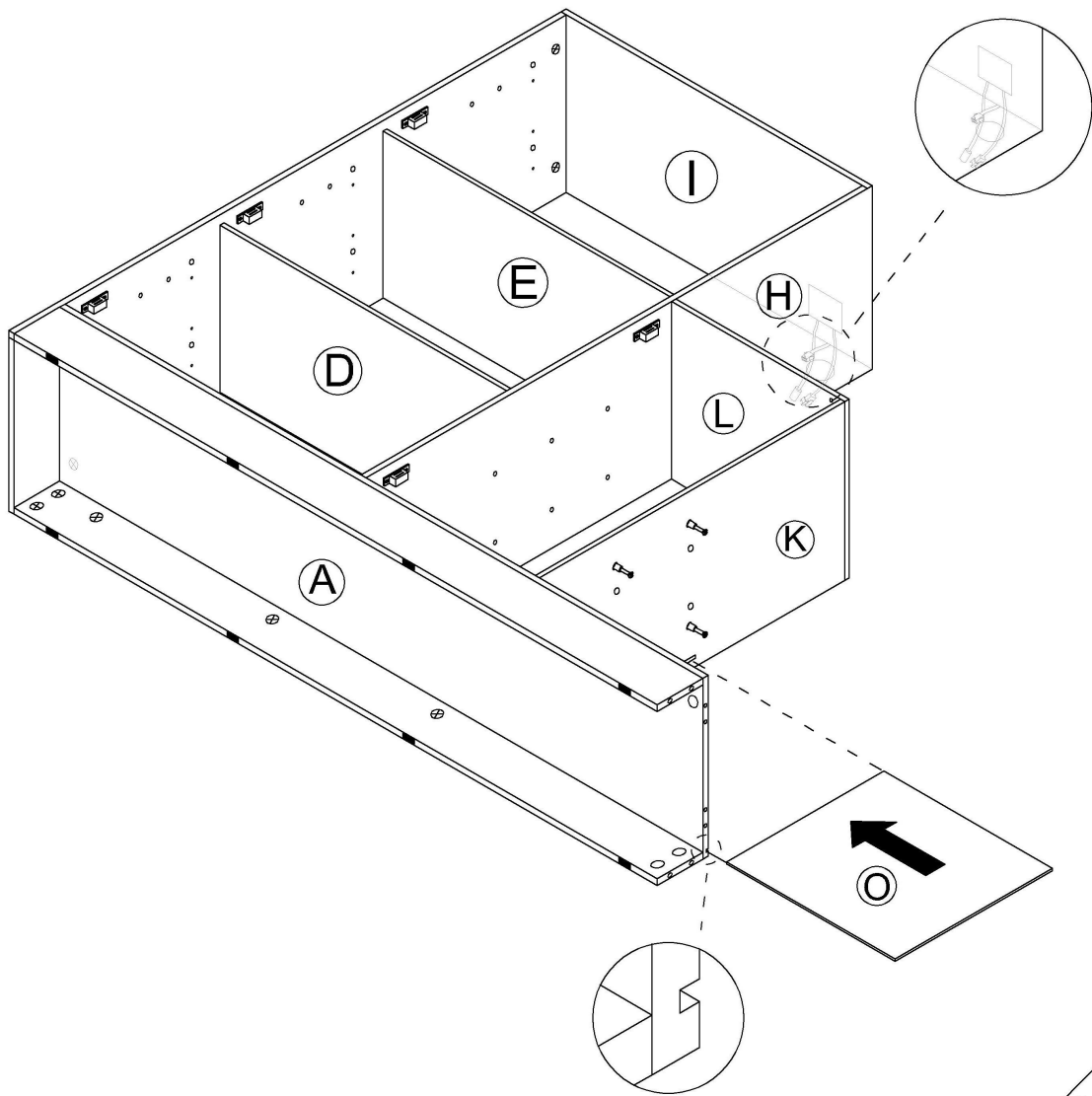
③  x4



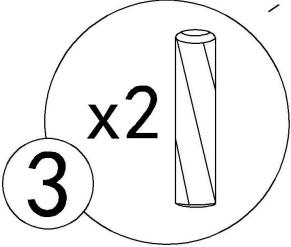
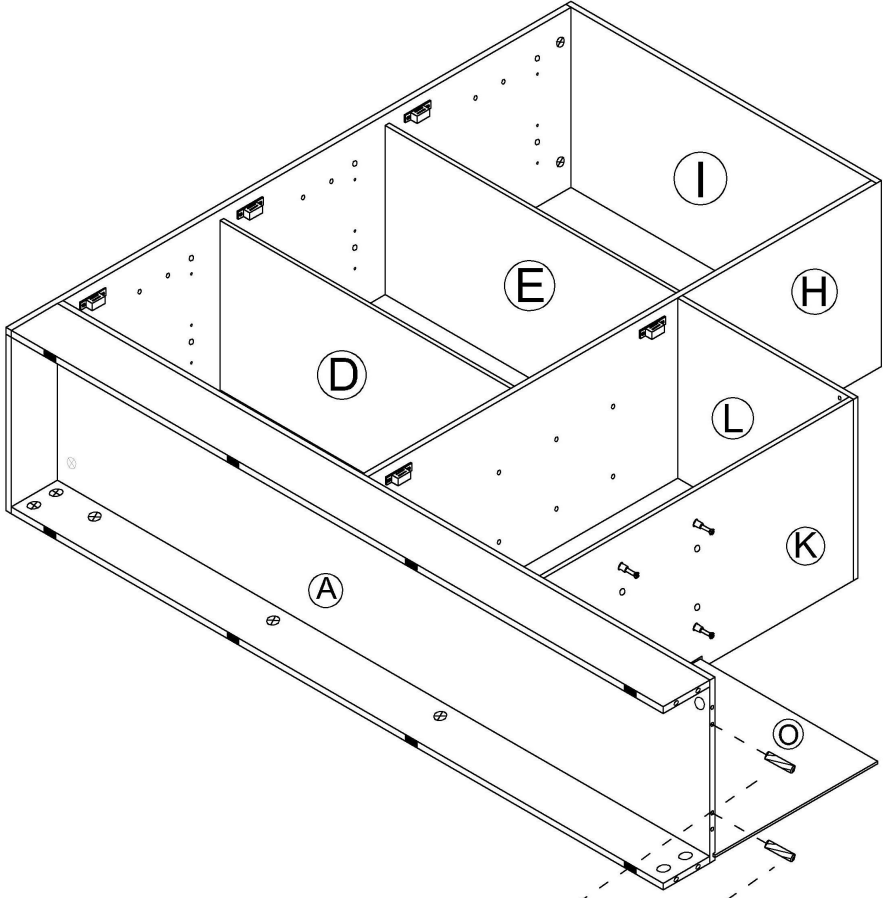
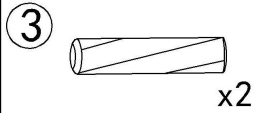
Step 28



Do not break the light wire



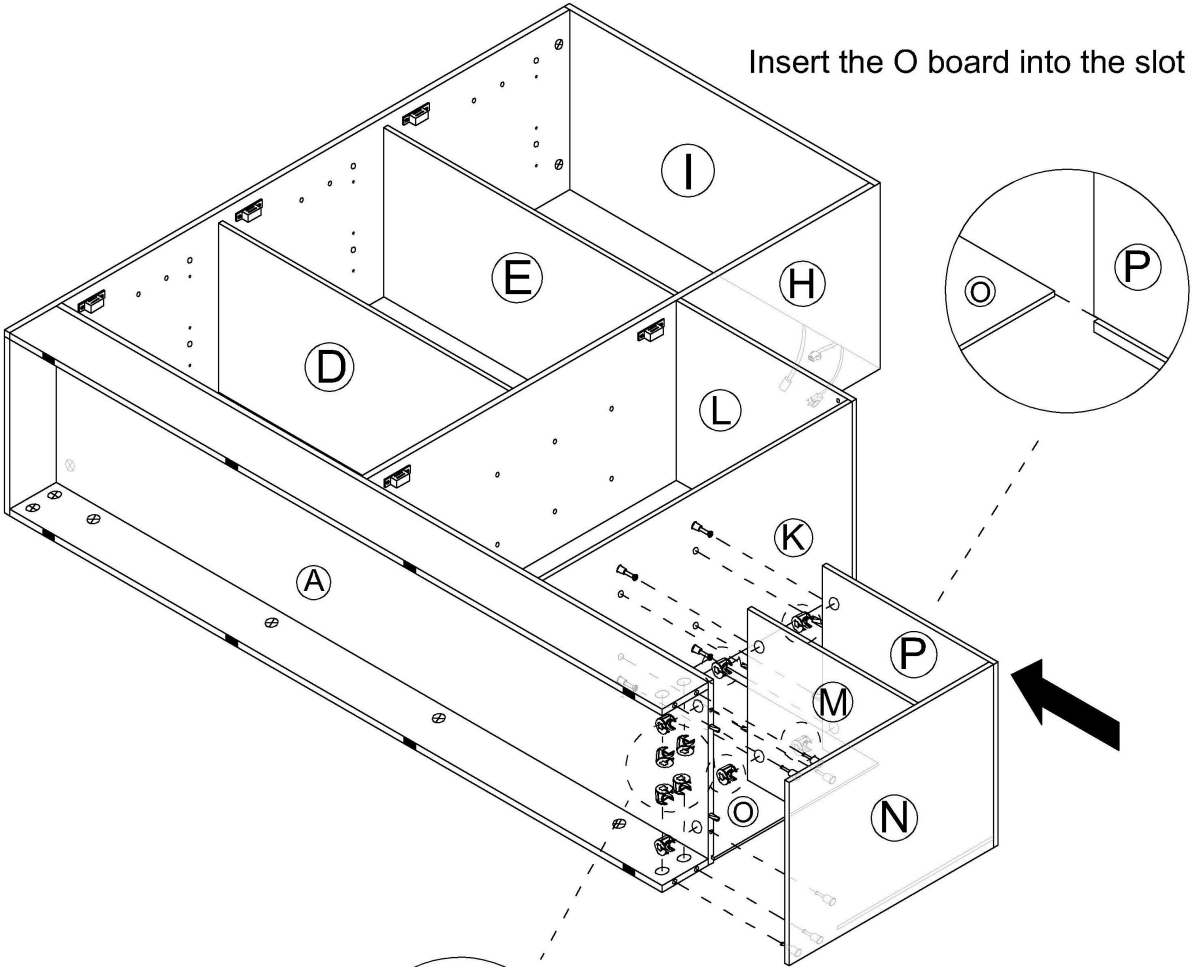
Step 29




Step 30


2  x10

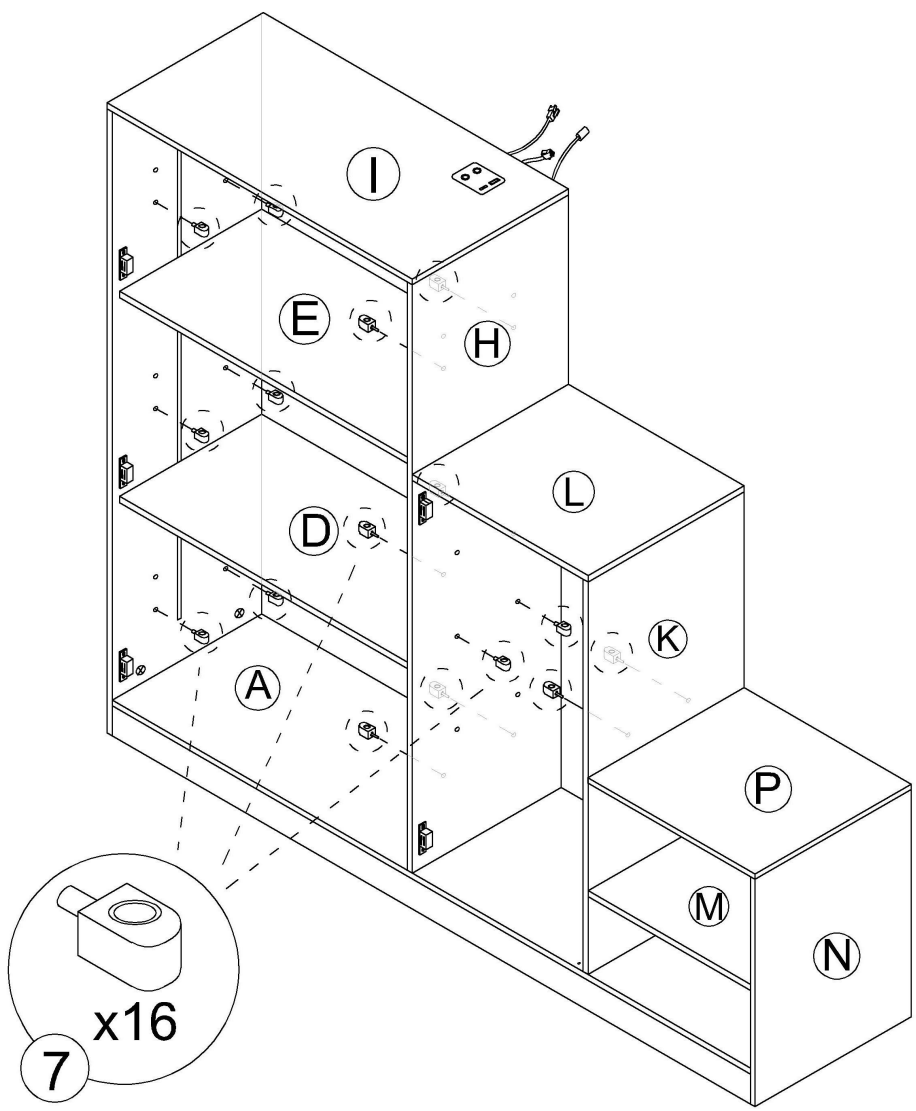
Insert the O board into the slot



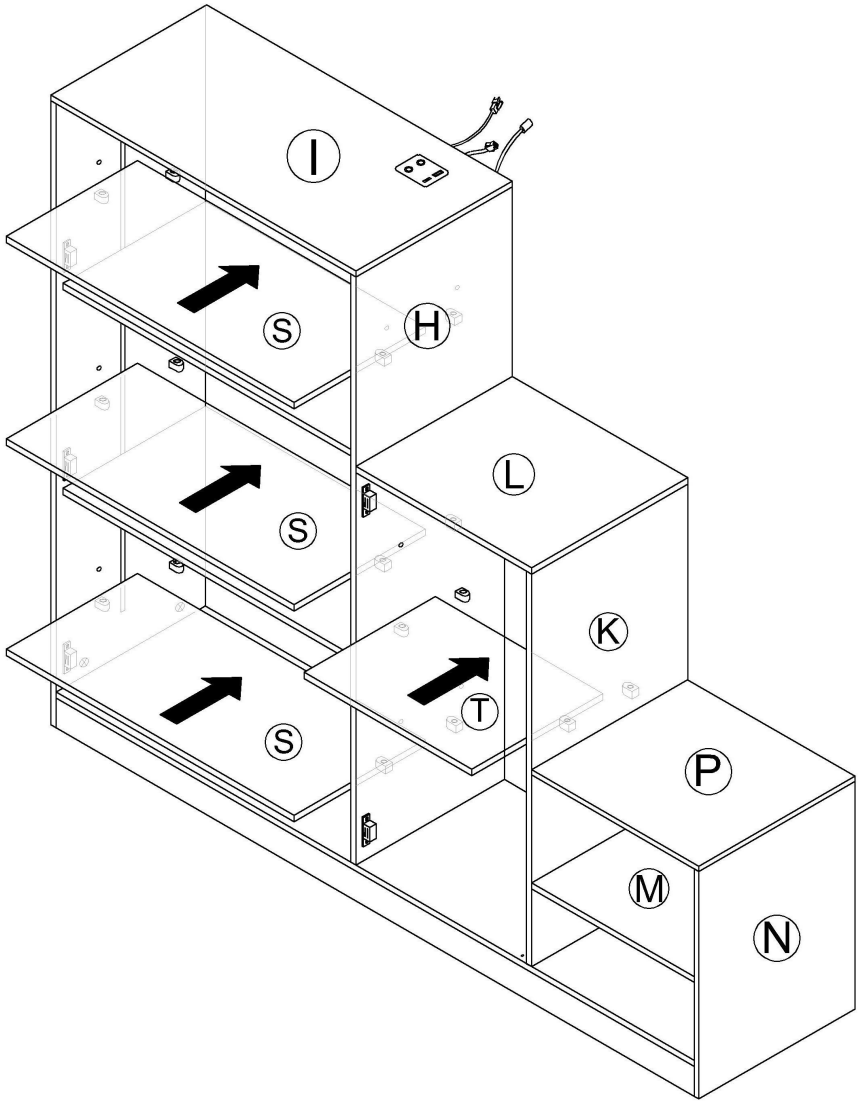
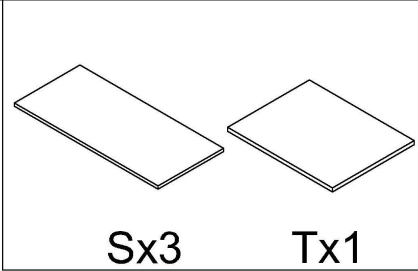
 x10 2





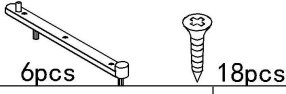
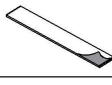

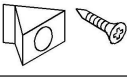
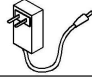
Step 31

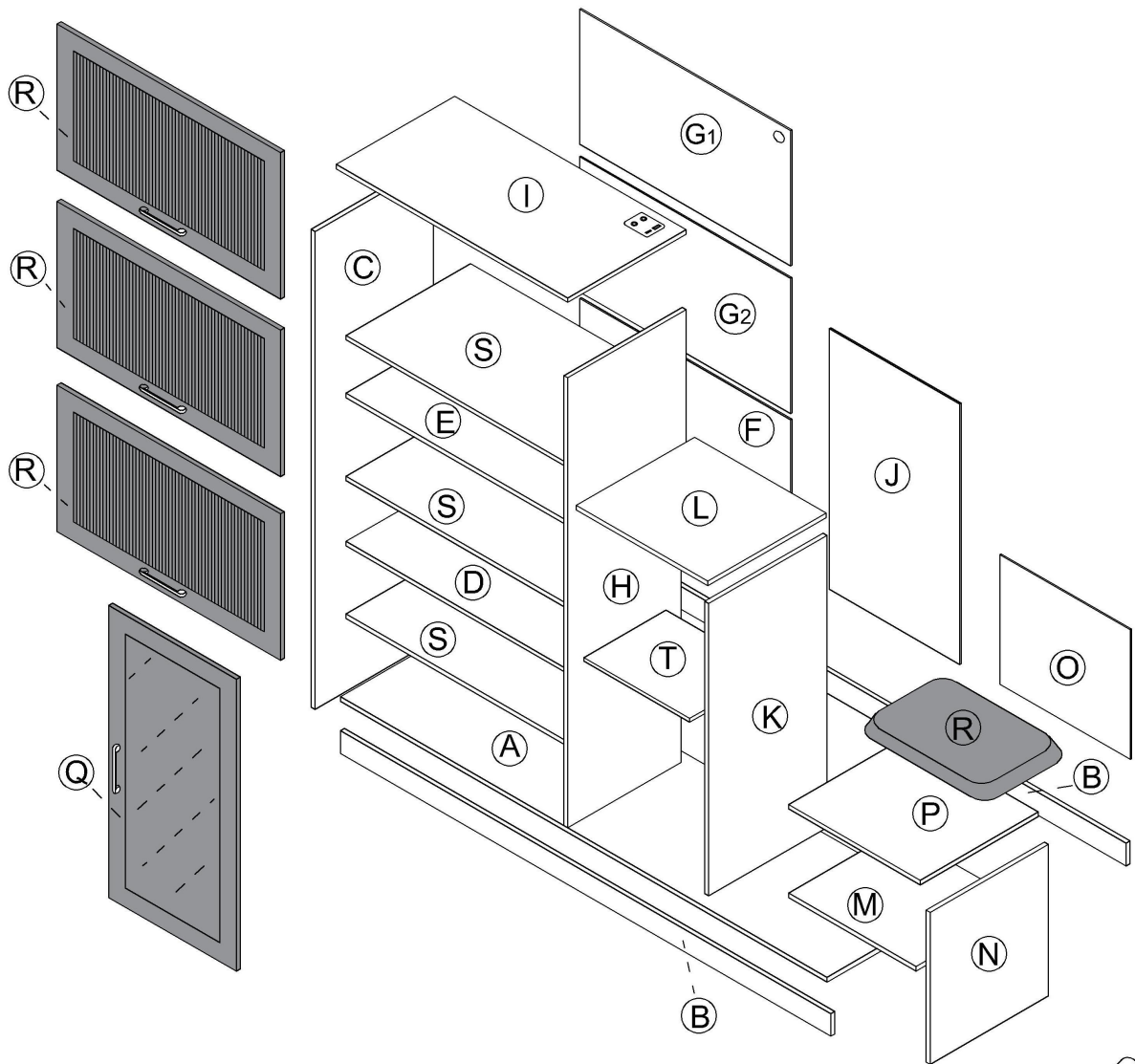
7  x16



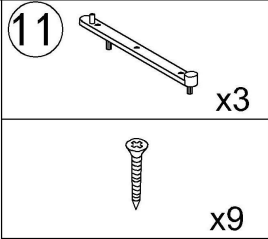
Step 32



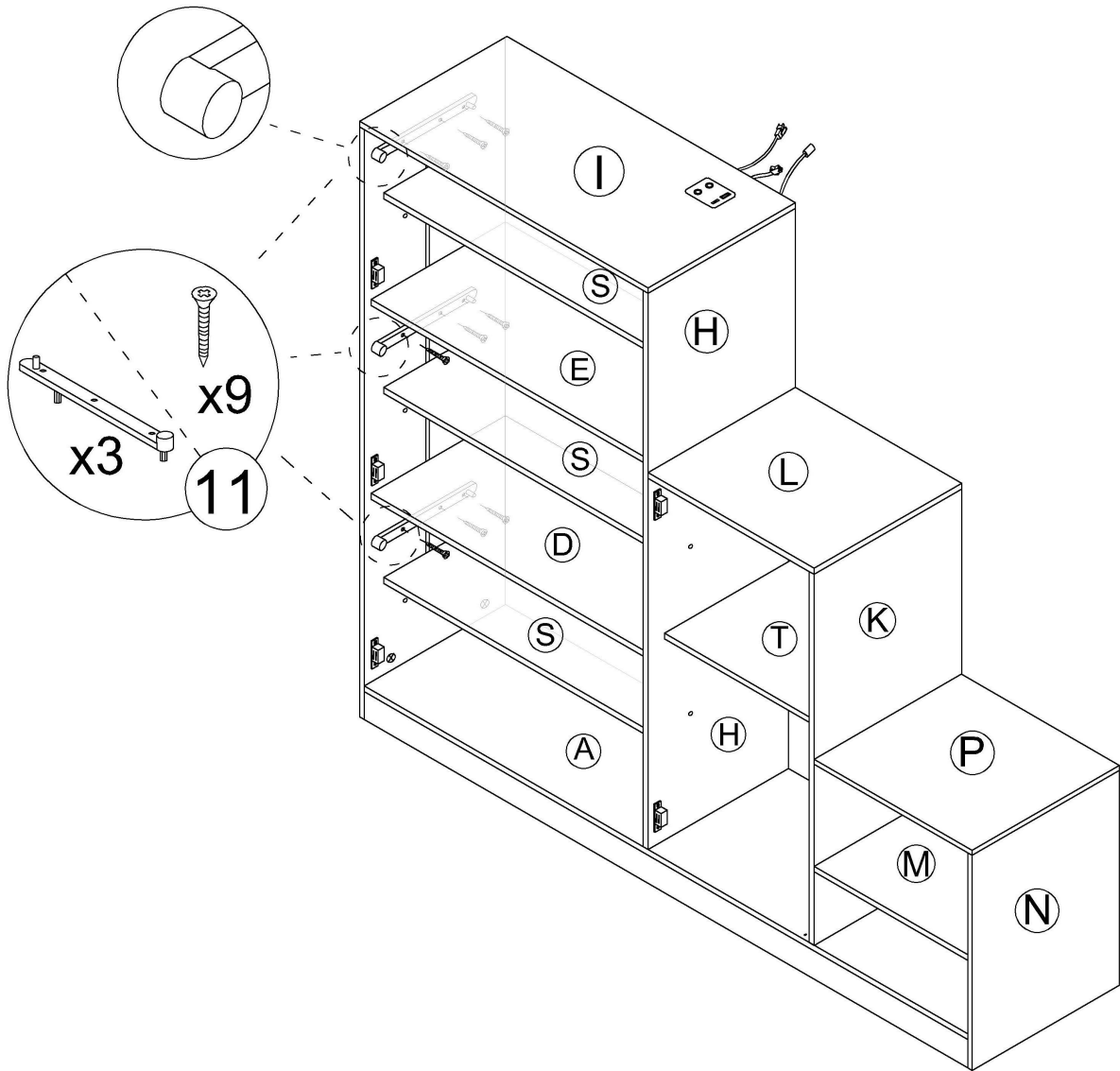
④	 4pcs 8pcs	⑩	 2pcs 4pcs	⑬	 4pcs
⑧	 8pcs 16pcs	⑪	 6pcs 18pcs	⑭	 2pcs
⑨	 6pcs 12pcs	⑫	 14pcs		 1pcs



Step 33

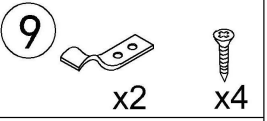
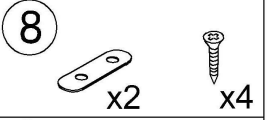
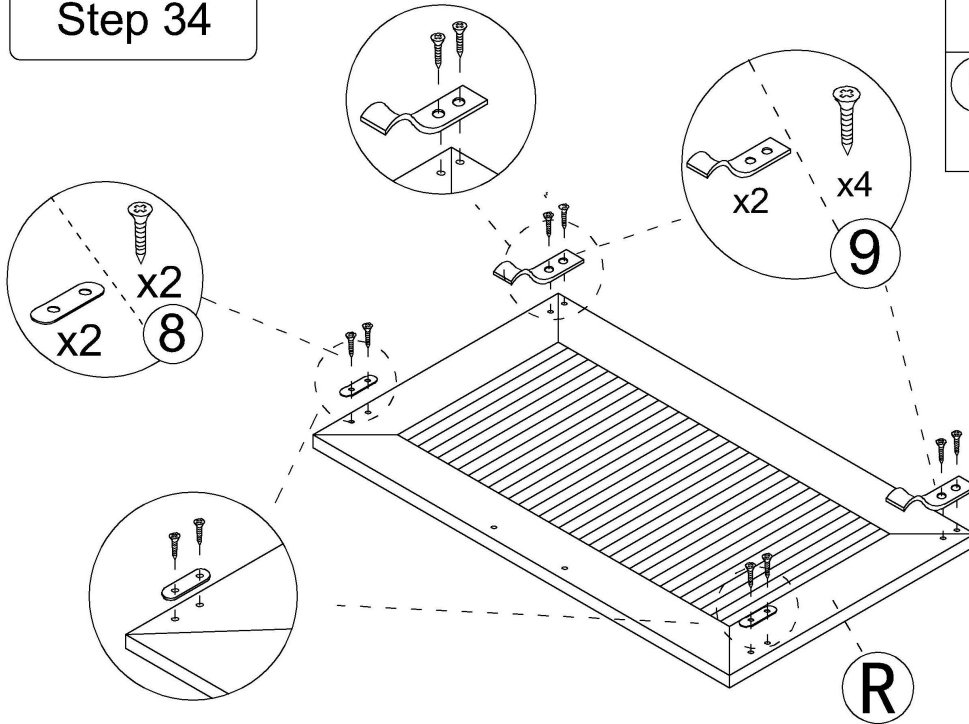


Pay attention to the direction of the guide rail

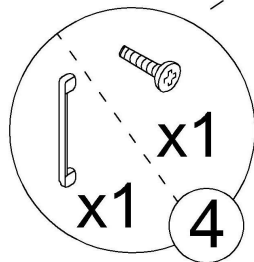
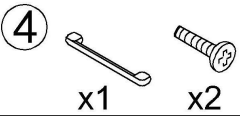
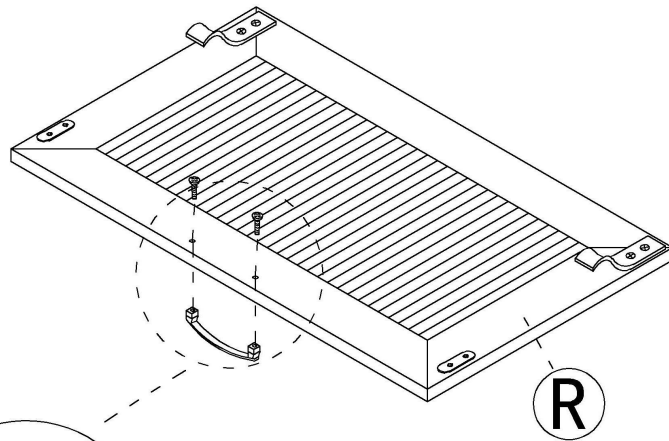


Step 34

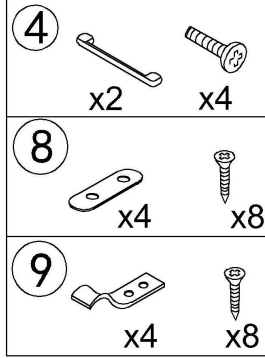
attention direction



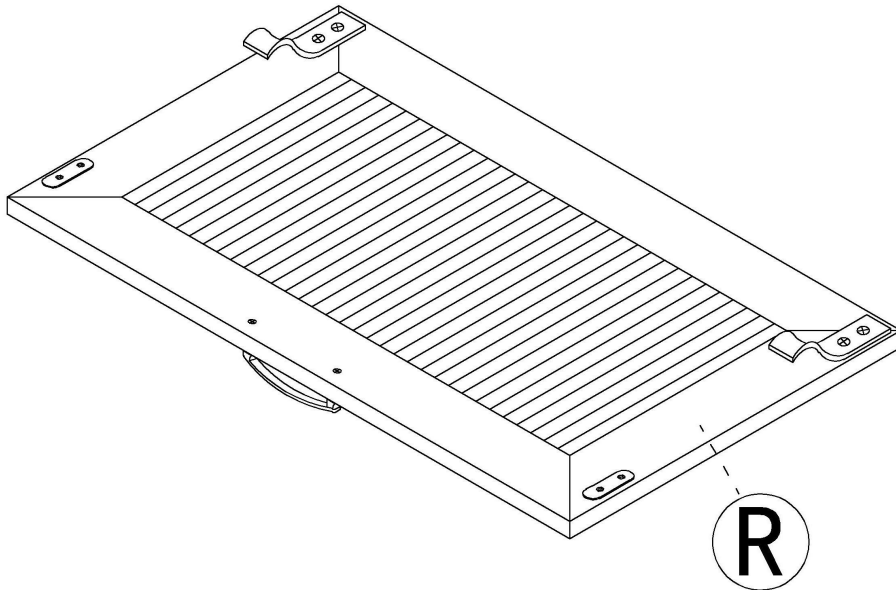
Step 35



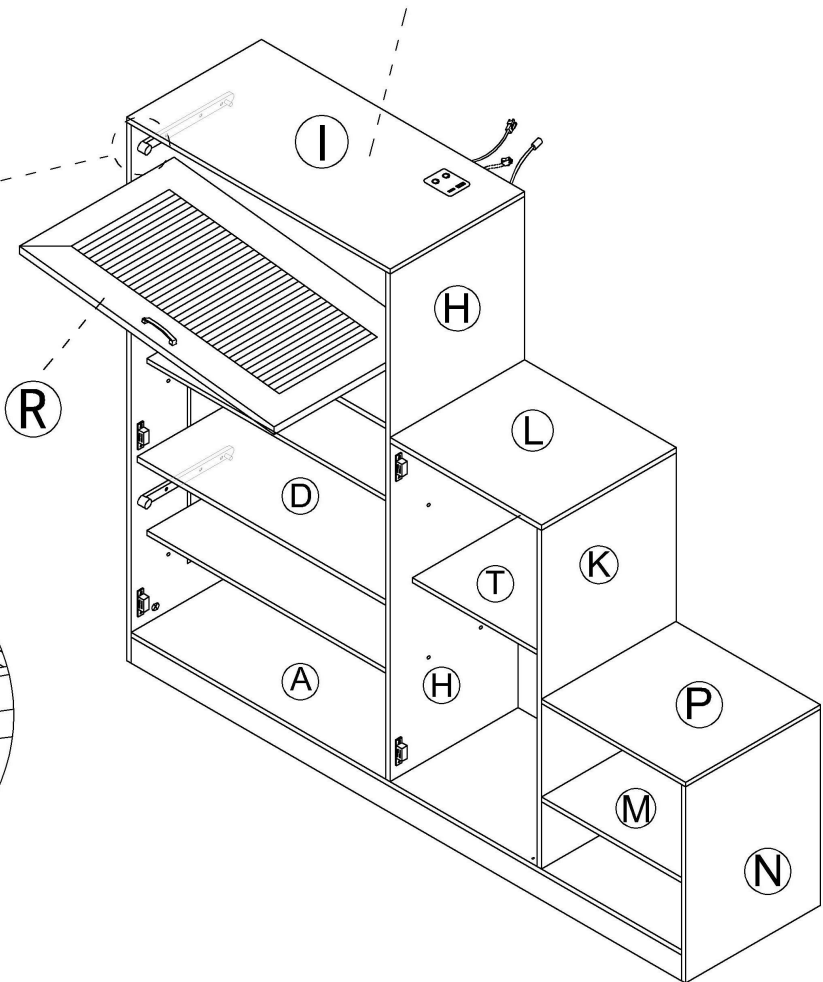
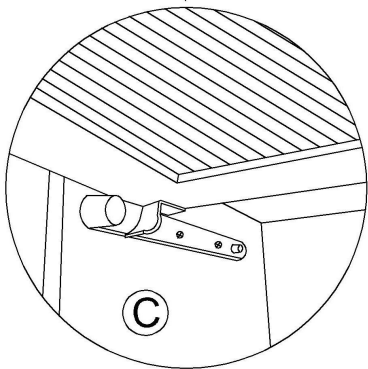
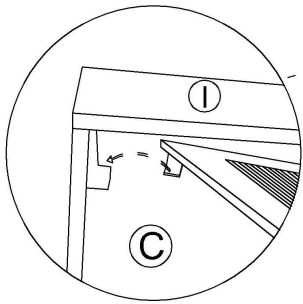
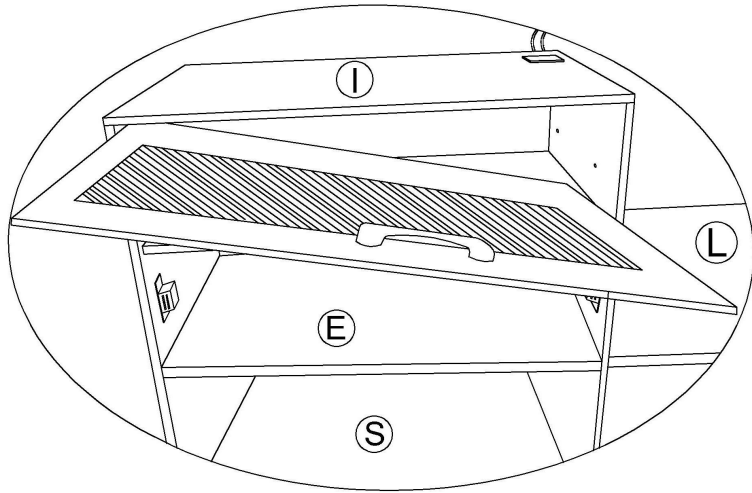
x2



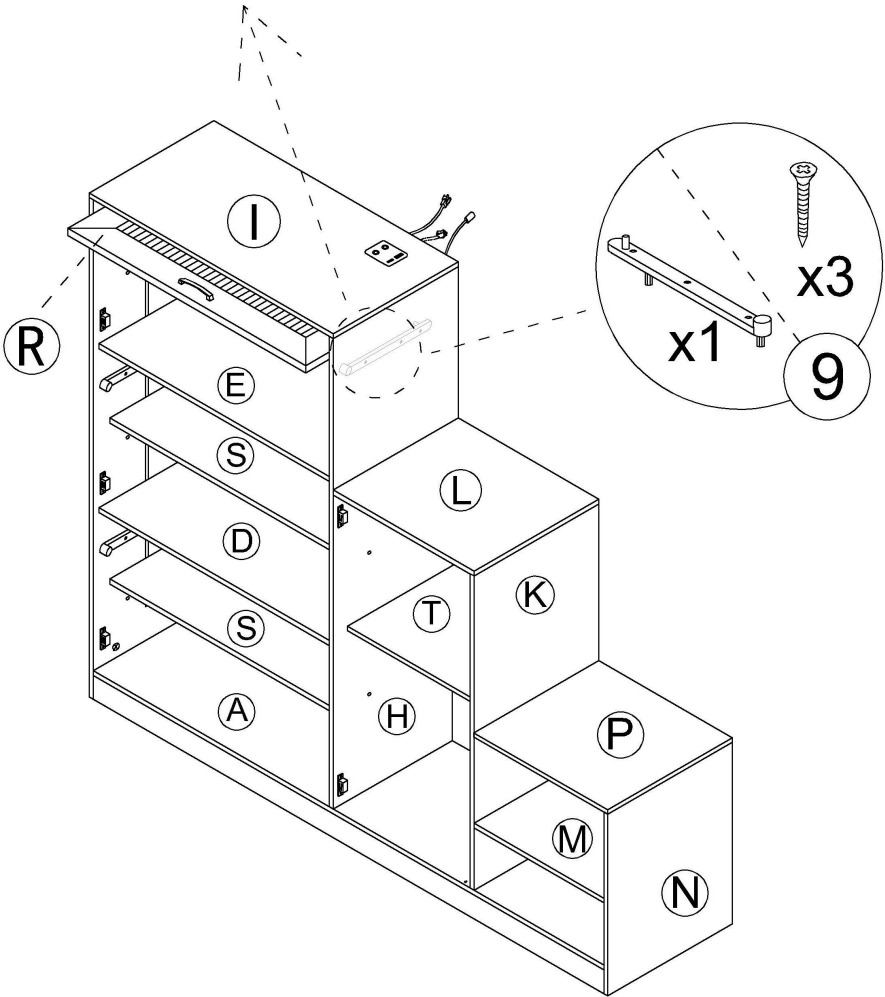
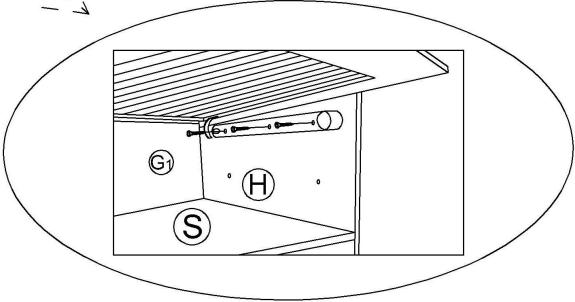
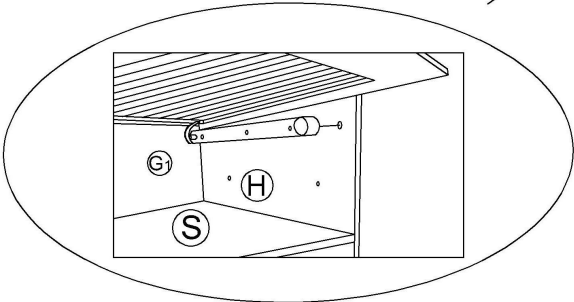
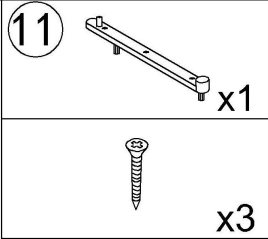
Install the door using the same method



Step 36

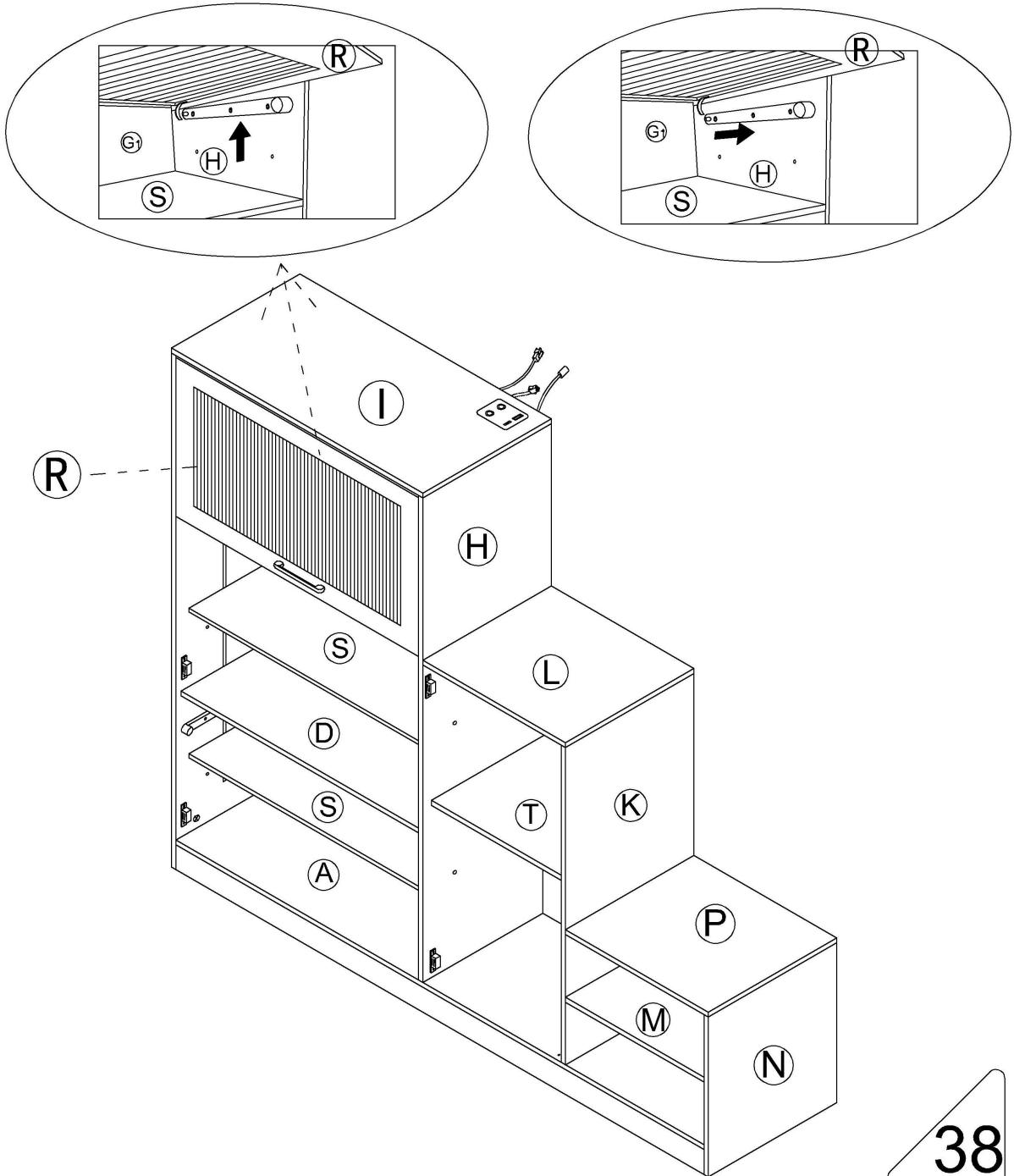


Step 37

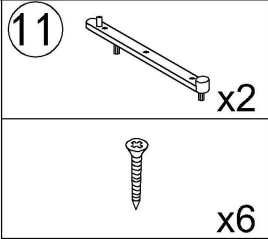


Step 38

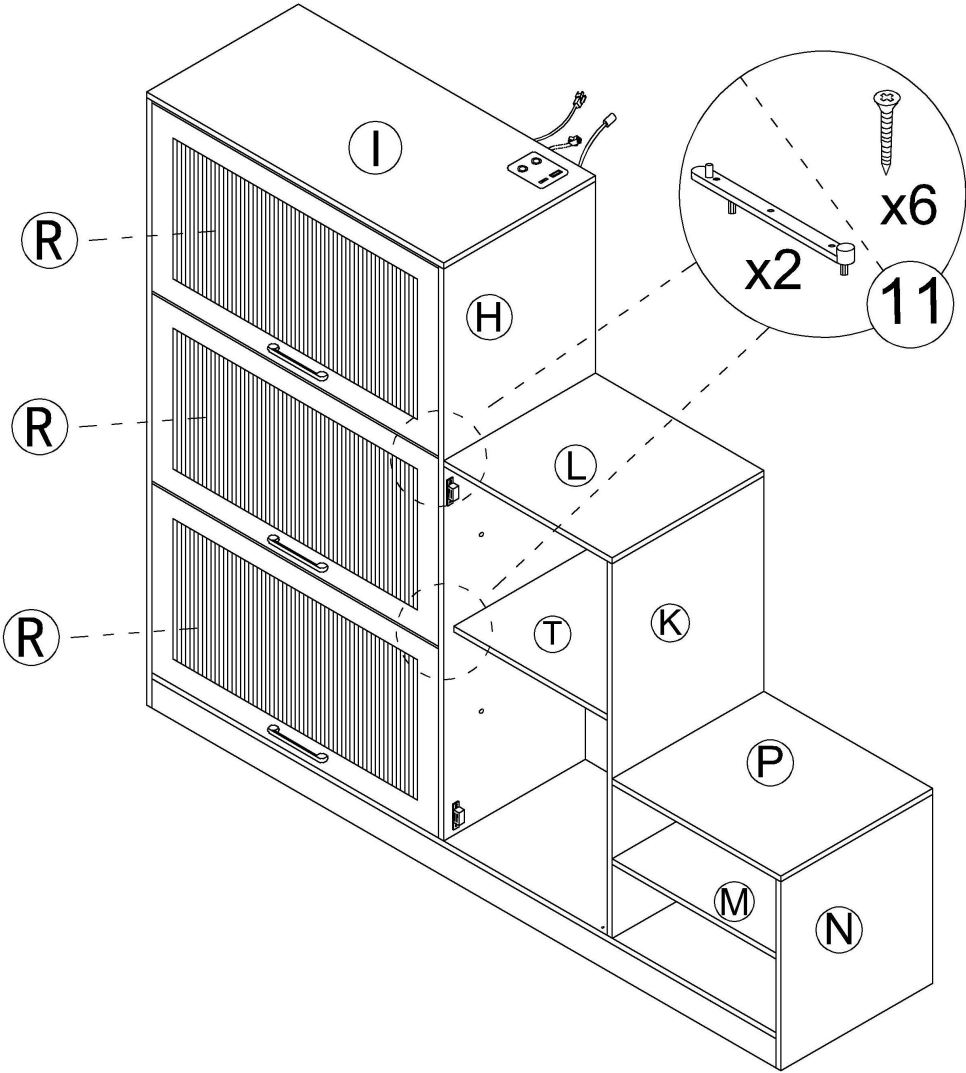
If the door cannot be closed due to being hooked at the back, please lift the door up a bit and then pull it in your own direction.



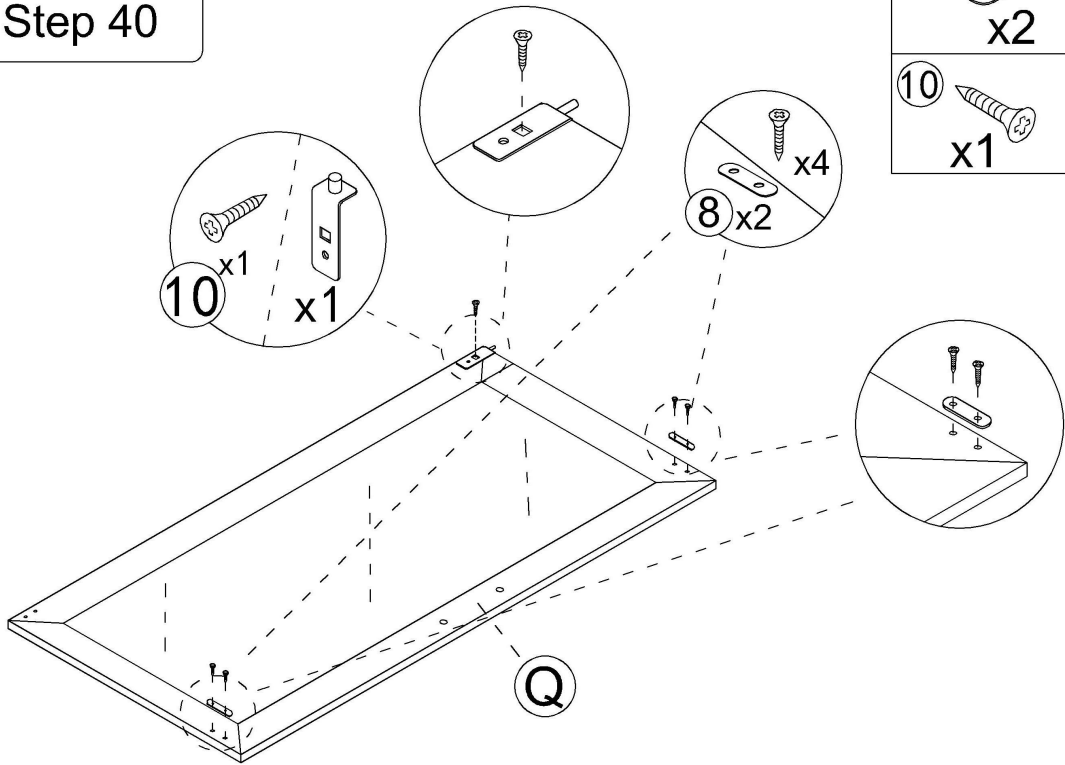
Step 39



Repeat the previous steps for installing the door

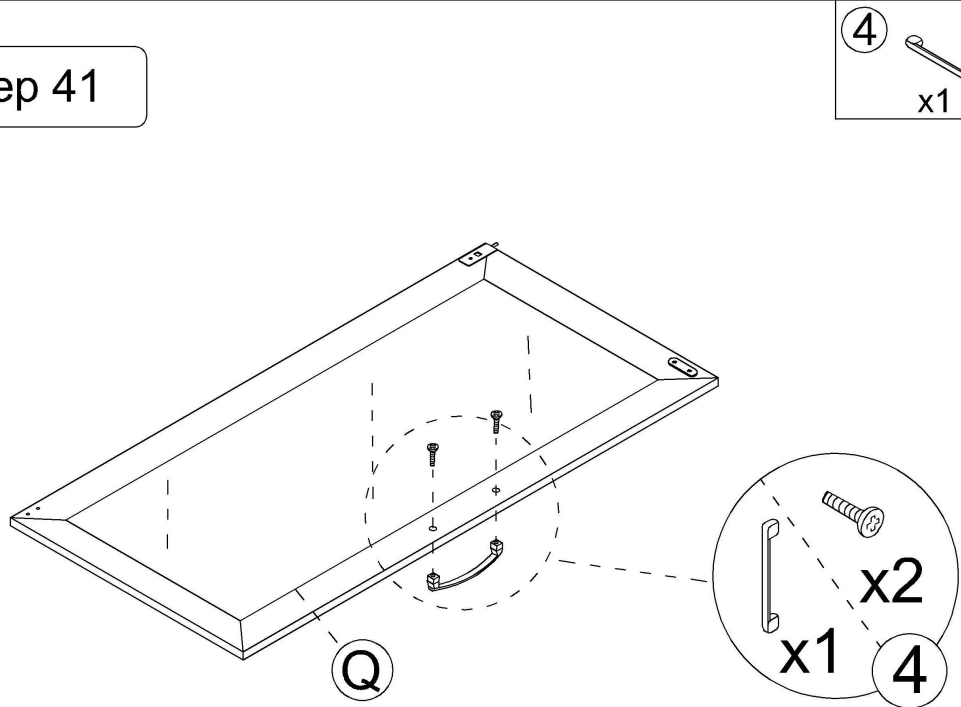


Step 40



- 8 x2
- 8 x4
- 10 x1
- 10 x1

Step 41



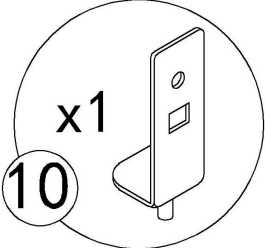
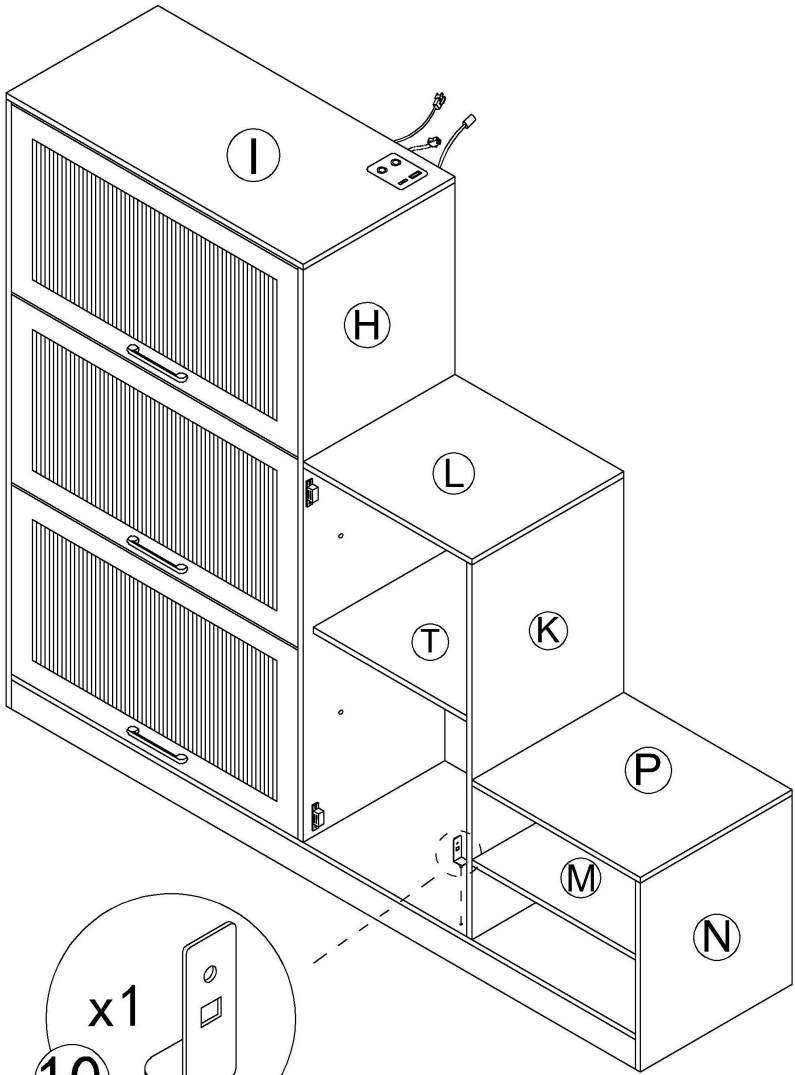
- 4 x1
- 4 x2

Step 42

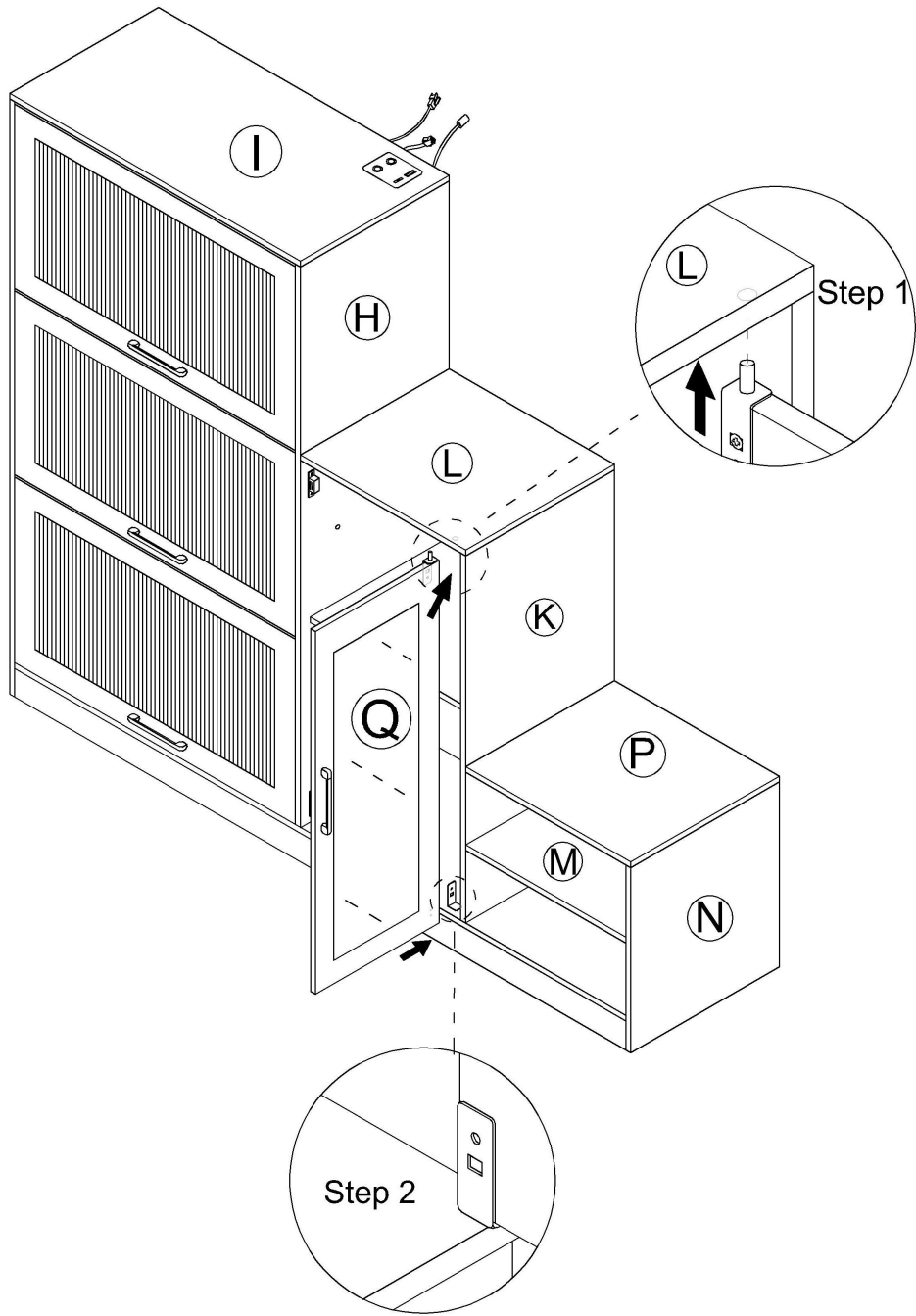
10



x1

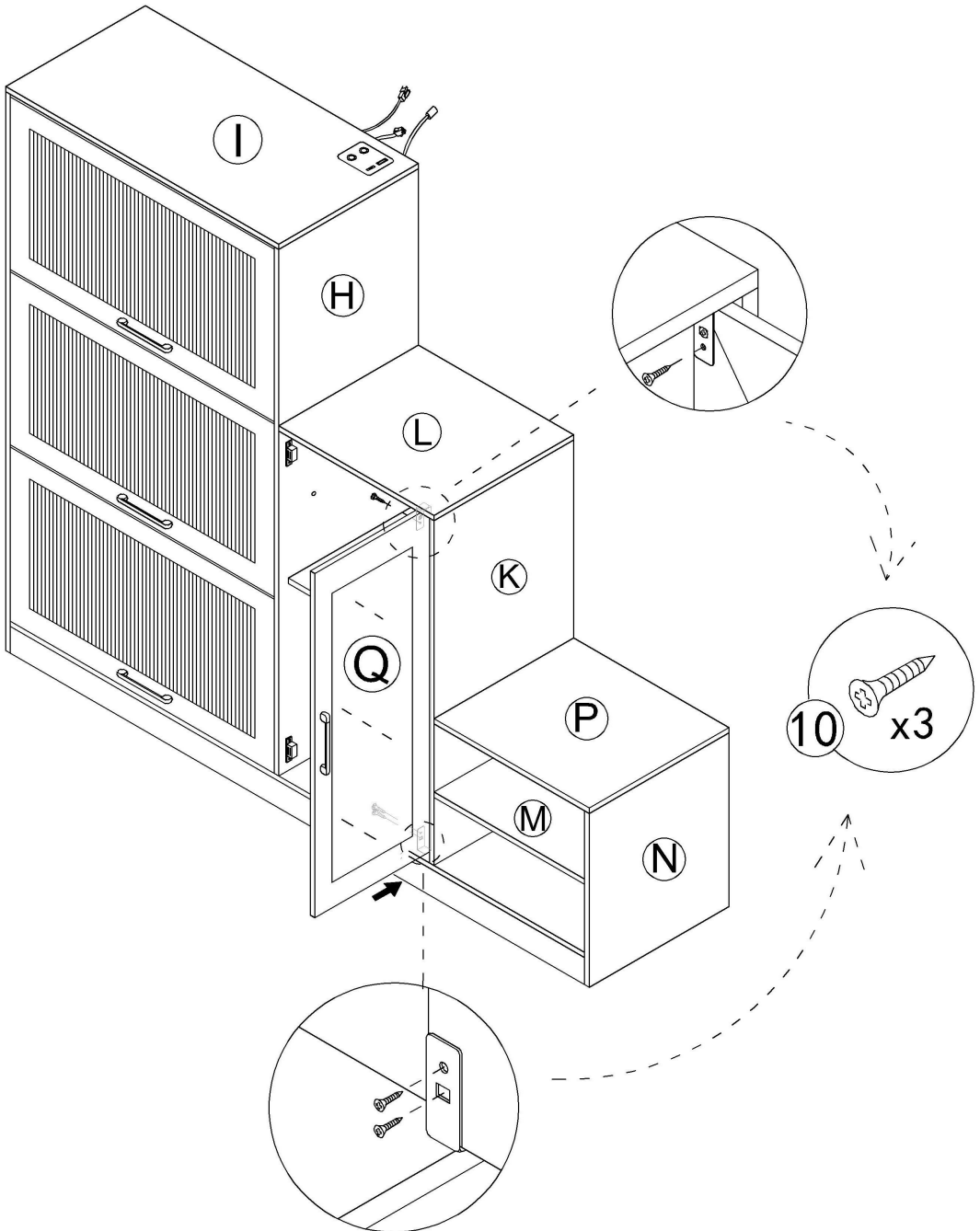


Step 43

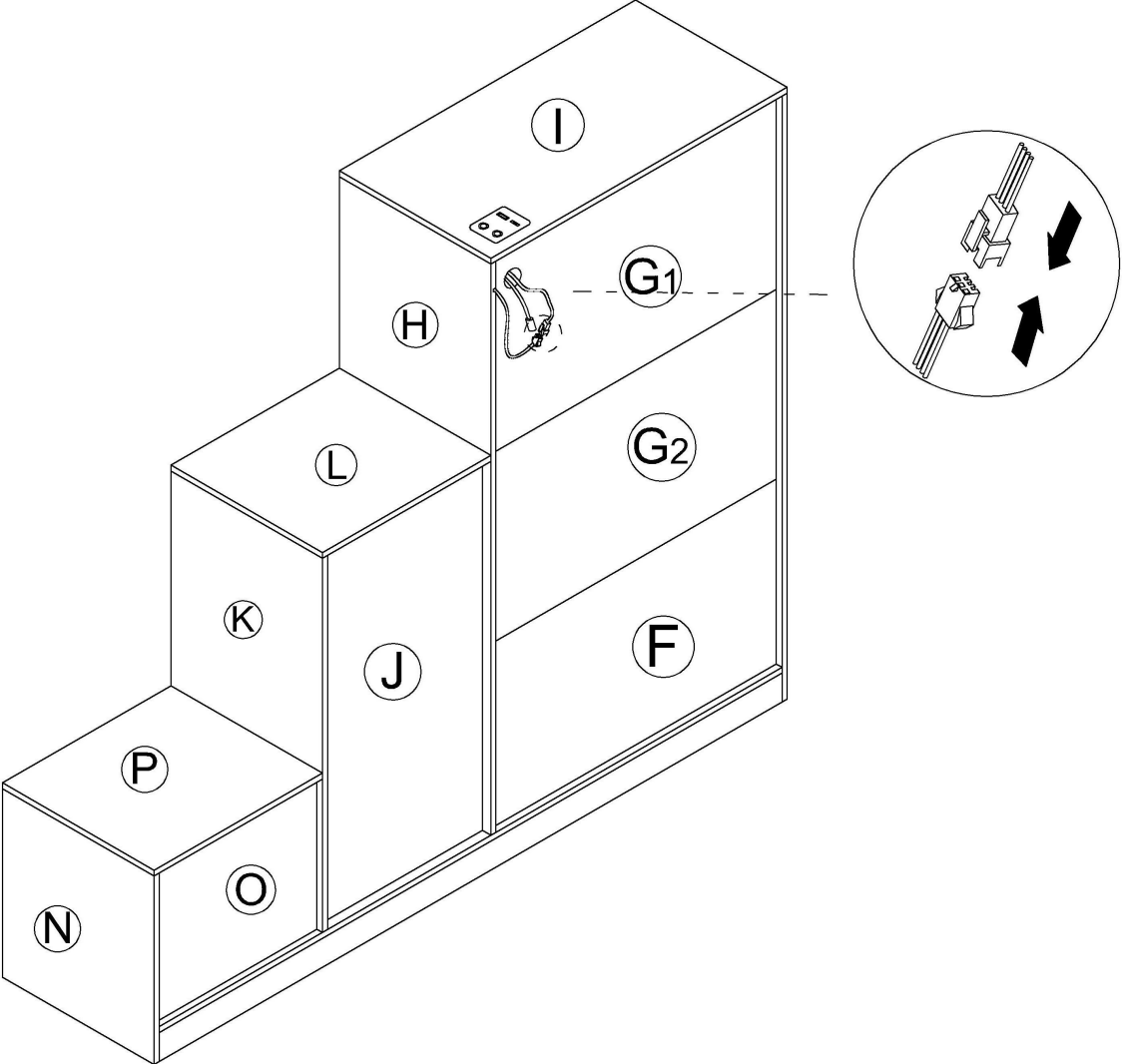


Step 44

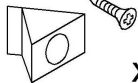
10  x3

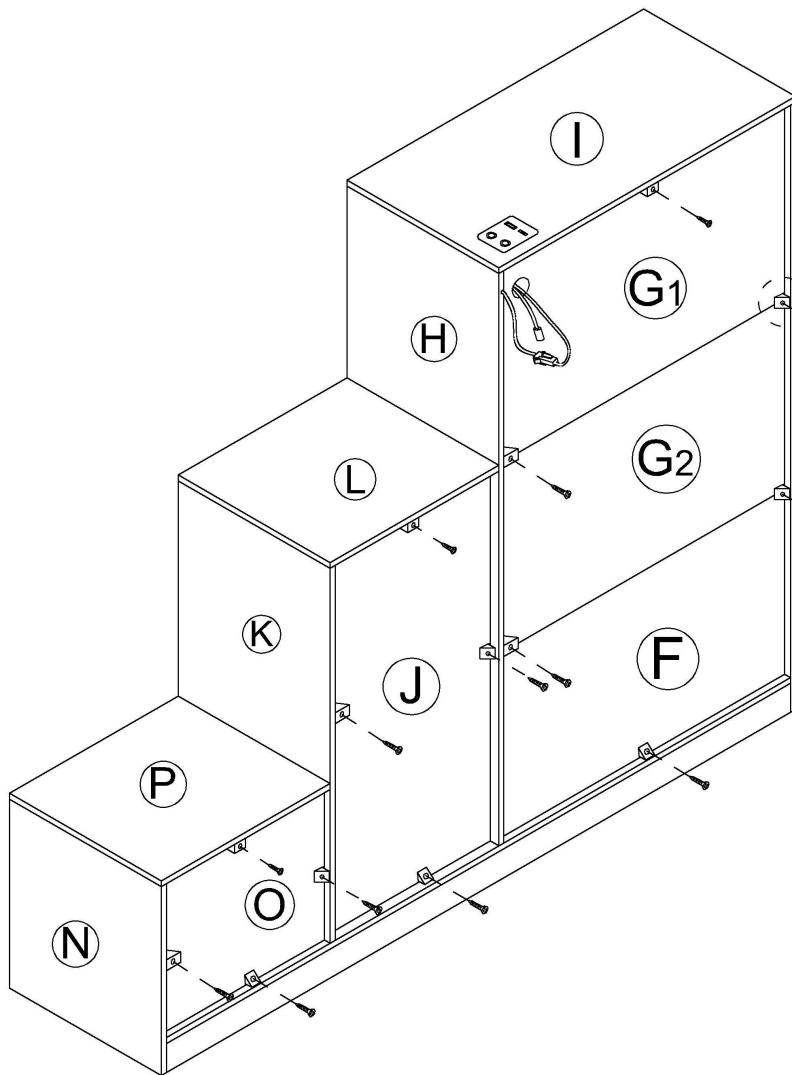


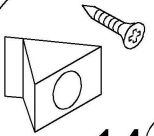
Step 45



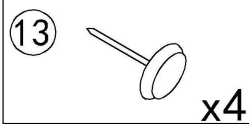
Step 46

12  x14

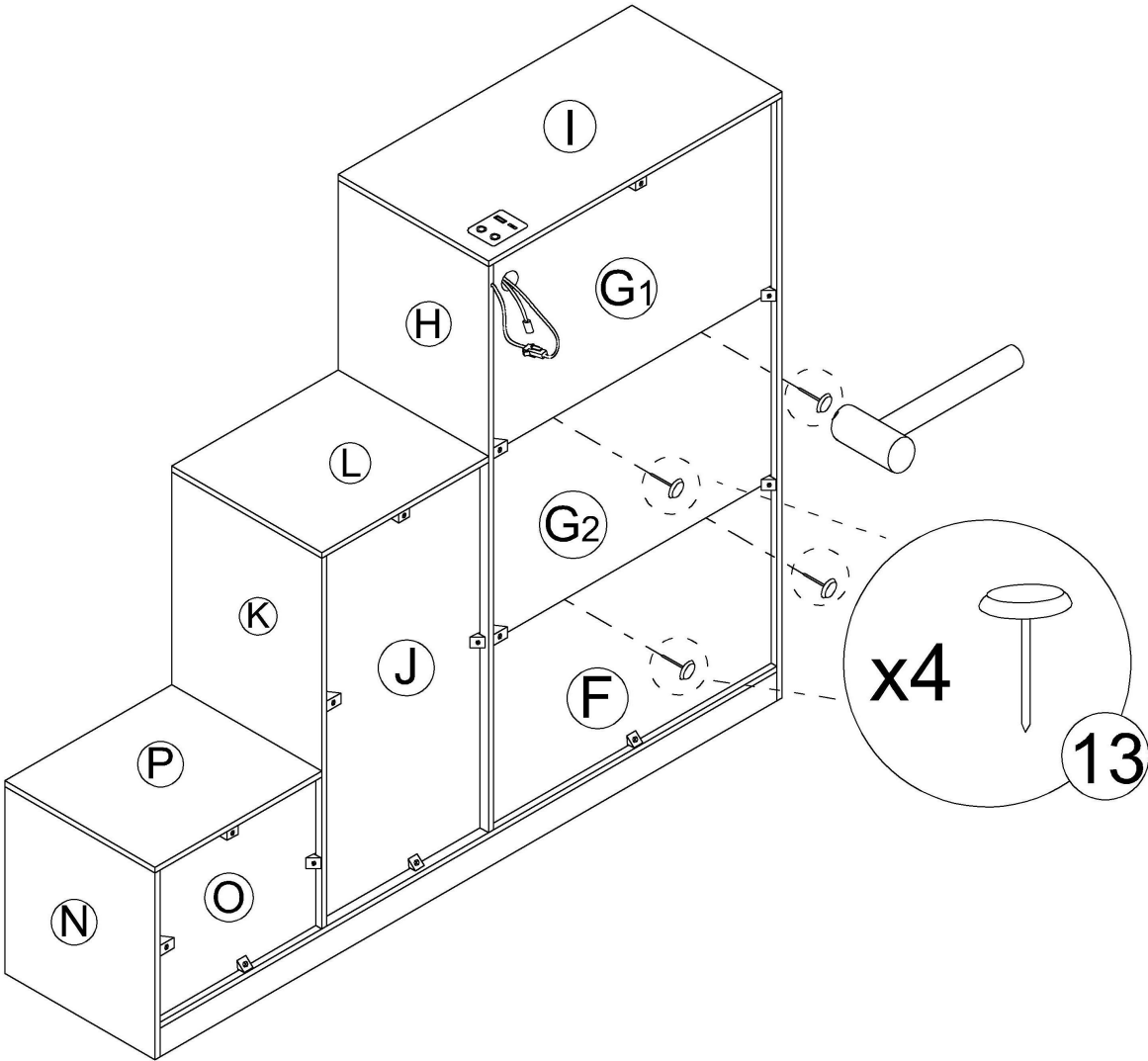


 x14 12

Step 47

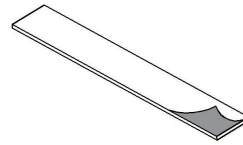


Use a hammer to drive the nail into the gap of the wooden board and fix the back board



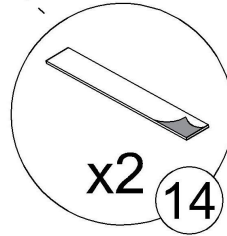
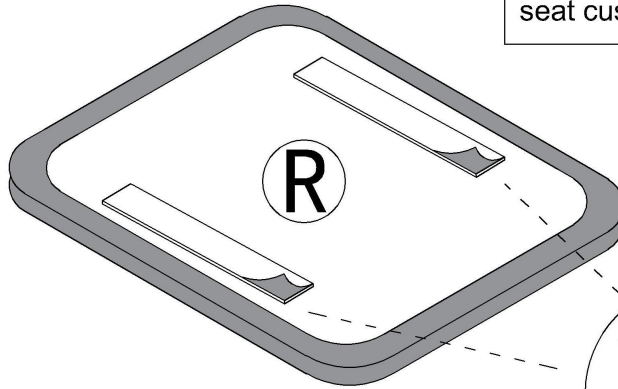
Step 48

14



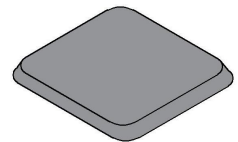
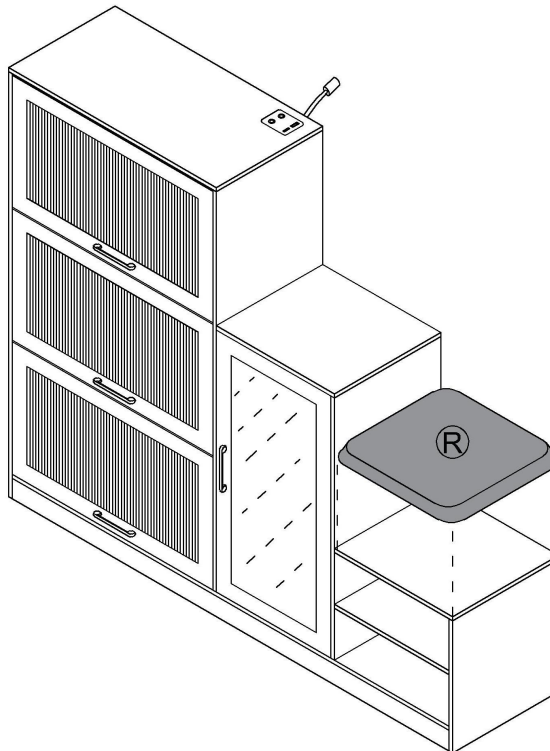
x2

Apply double-sided tape under the seat cushion to prevent it from moving



The back of the seat cushion

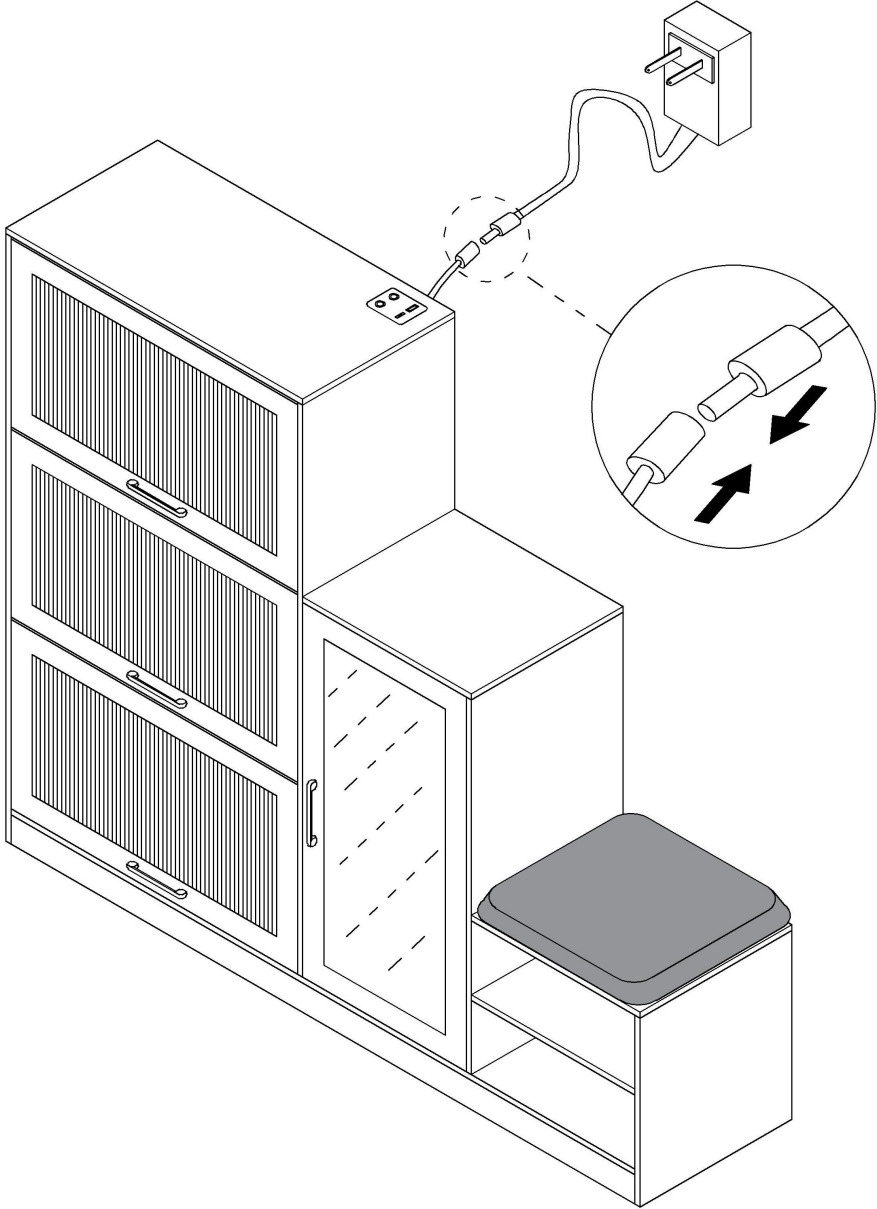
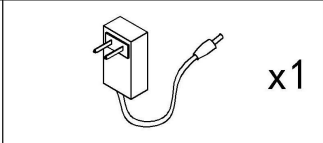
Step 49



Rx1

47

Step 50



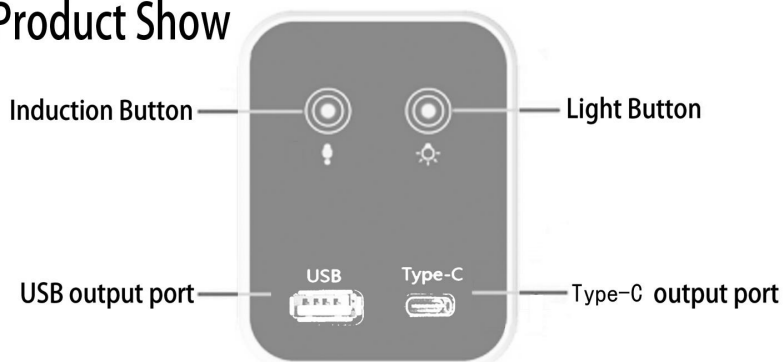
User's Guide


Thank you for purchasing this product. To use this product, please plug it into a 12V DC power supply. Please use if the product works normally after connecting to power.

Introduction

The box is an intelligent controller. It has 1 USB port and 1 type-C port and can distribute the current output up to 5V DC-2A. With 2 touch buttons, it can turn ON/OFF the light, change light colors, and adjust the light luminance.

Product Show



 **ATTENTION PLEASE**

1. If there is no touch response suddenly, Re-plug the power to reset the touch static electricity.
2. If bubbles appear on the panel, remove the protective film.

Operation



This touch button is used to turn on/off, change colors, and adjust brightness.

A. Short touch -> lighting on -> short touch -> change light color -> short touch -> change light color -> short touch -> lighting off. B. Long touch -> adjust the luminance



This touch button is used to turn on/off the induction function.

A. Short touch to turn on the induction function. It can auto-turn on the light when people are close to the controller in 1 meters. It can auto power off the light when the body is far away from the controller after 30 seconds.

B. Long touch to turn off the induction function.

C. Note: When you touch the light button to change the light modes, the induction function will automatically turn off. It is best to turn on this function after selecting the light color and adjusting the brightness you want.