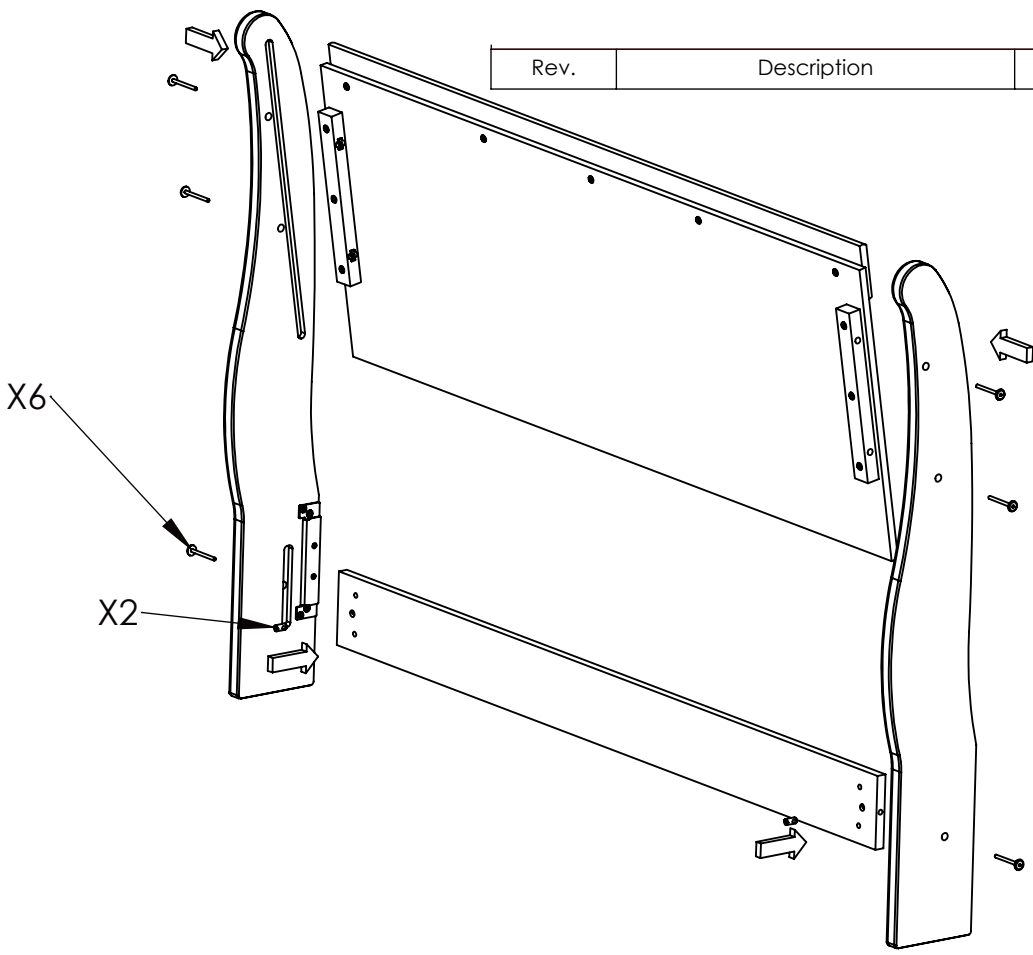


1

Rev.	Description	Date	Cad/Eng
------	-------------	------	---------



2

