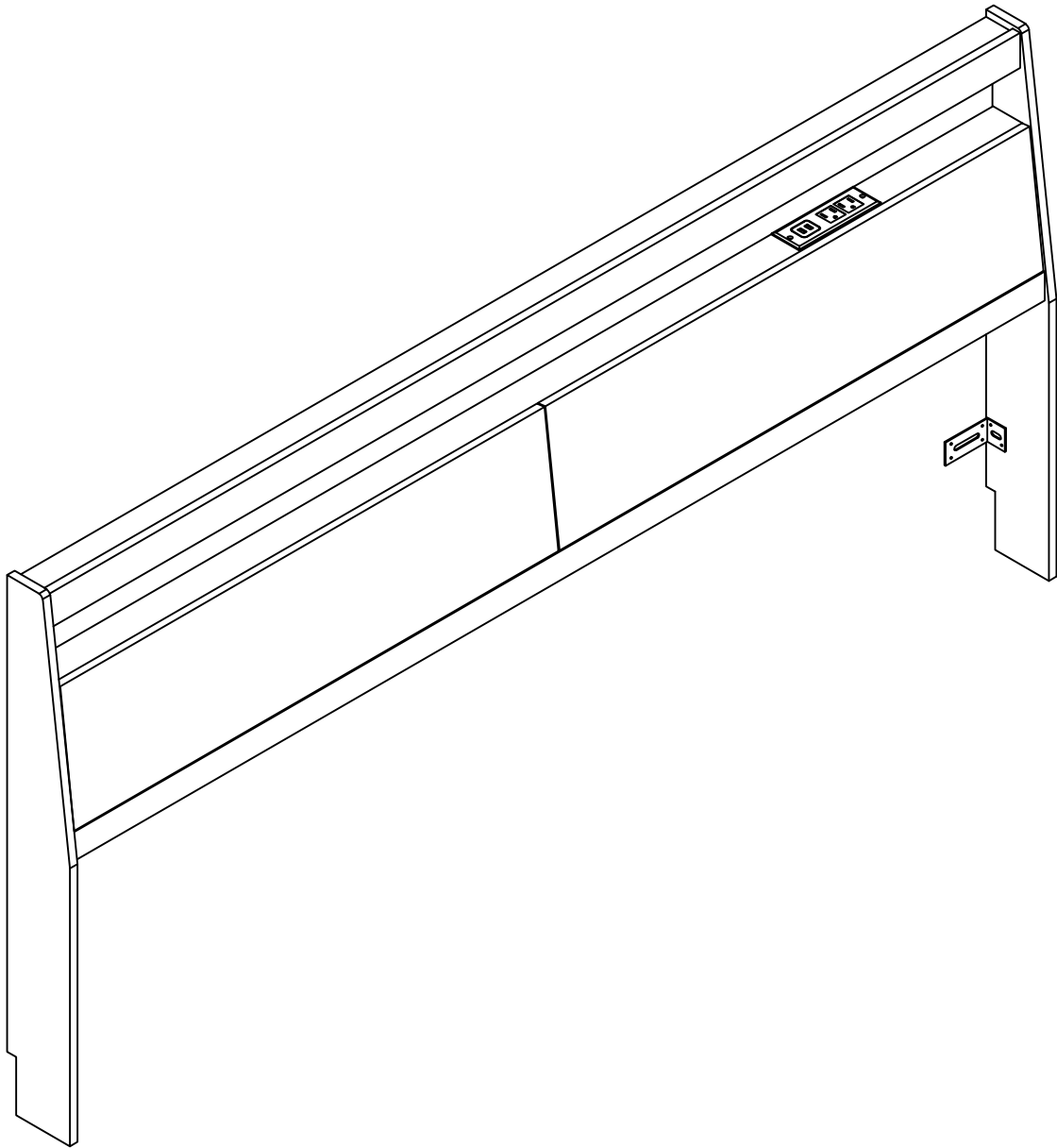


Installation Guide



Important Safety Instructions

Please read and understand all instructions before assembling, using, or maintaining this product. Failure to follow these instructions may result in serious injury, property damage, or fire.

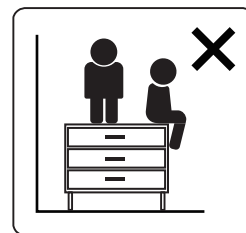
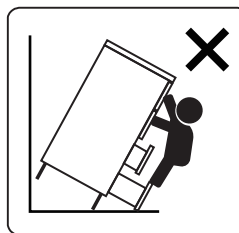
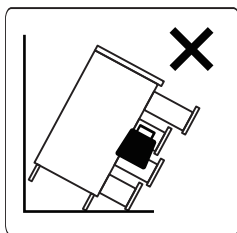
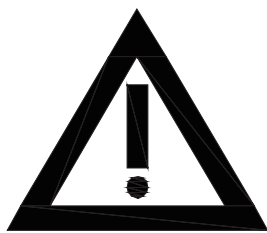
General Safety Warnings

- **Adult Assembly Required:** This product must be assembled by an adult. Keep children away from the assembly area to prevent accidents.
- **Keep Small Parts Away from Children:** Small parts, such as screws and bolts, can pose a choking hazard. Store them out of children's reach during assembly.
- **Inspect for Damage:** Before assembly, inspect all parts for damage, such as cracks or deformities. Do not use any damaged parts.
- **Use Only Provided Hardware:** Use only the hardware included with this product. Using non-original parts may cause instability or damage.
- **Secure Attachment to Bed Frame:** Follow the assembly instructions carefully to ensure the headboard is securely attached to the bed frame. An improperly attached headboard could tip over, causing injury.
- **No Climbing or Hanging:** Do not climb, stand, or hang objects (e.g., lamps or decorations) from the headboard. It is not designed to support such activities.
- **No Sitting or Standing:** The headboard is not designed to support human weight. Sitting or standing on it may cause damage or tipping.
- **Clear Surrounding Area:** Keep the area around the headboard clear to prevent trips and falls.
- **Periodic Inspection:** Periodically inspect all fasteners and tighten them as needed to maintain stability.
- **Check for Sharp Edges or Splinters:** After assembly, inspect the surface for sharp edges or splinters. Sand down any rough areas as needed to prevent injury.
- **Retain Warning Labels:** Do not remove any warning labels, as they contain important safety information.
- **Supervise Children:** Always supervise children near the headboard to prevent misuse, such as climbing, which could cause injury.

Electrical Safety Warnings

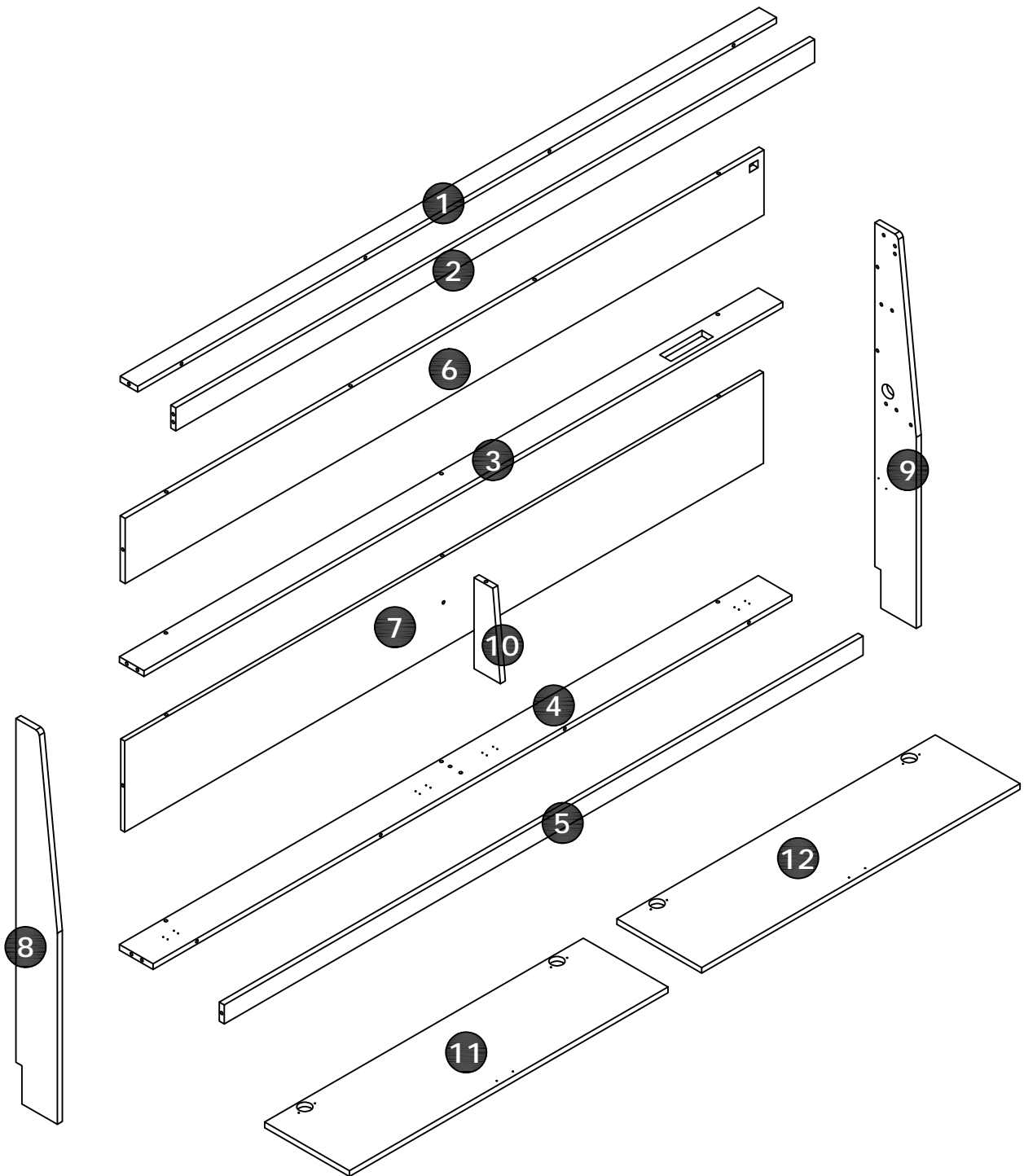
This product contains electrical components, including light strips. Improper use may result in electric shock or fire. Do not disassemble, repair, or modify electrical components yourself. Contact qualified service personnel for assistance.

- **Unplug When Not in Use:** Always unplug the power cord before cleaning, performing maintenance, or leaving the product unused for extended periods.
- **Keep Dry:** Keep the headboard and its electrical components away from water, moisture, and heat sources. Do not use in wet environments.
- **Check Power Cord:** If the power cord is damaged, discontinue use immediately and contact customer service for a replacement.
- **Grounding Requirements:** If grounding is required, ensure the product is properly grounded. Refer to the product label for grounding instructions.
- **Eye Safety:** Avoid direct eye exposure to the light source, especially for prolonged periods, to prevent discomfort or potential eye strain.
- **Keep Away from Flammable Materials:** Ensure the light strips are not in contact with flammable materials, such as bedding or curtains, to minimize fire risk.

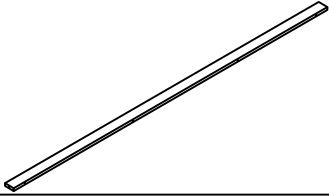
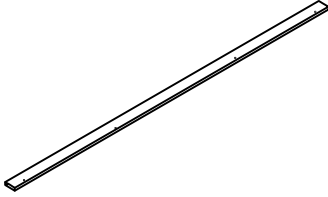
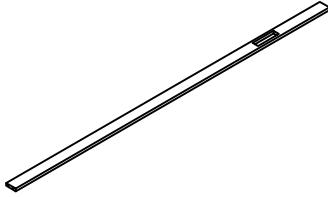
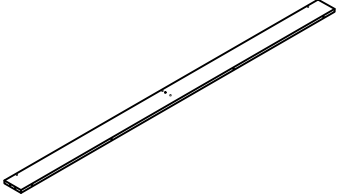
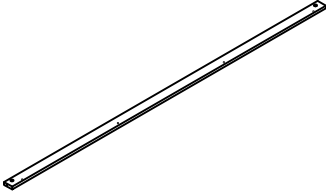
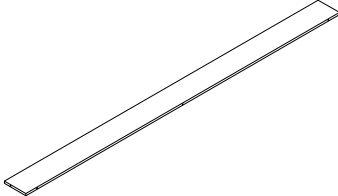
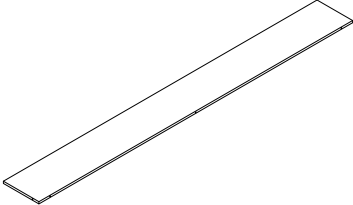
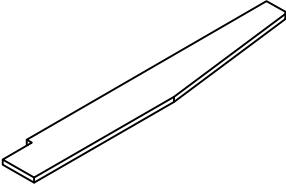
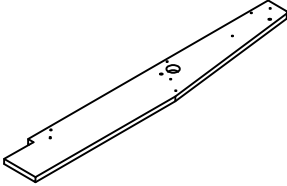
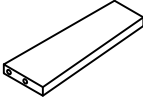
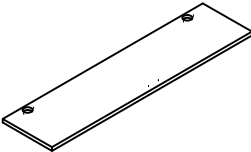
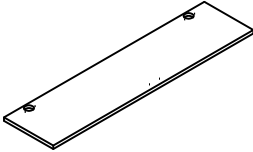


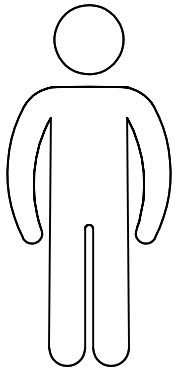
Thank you for choosing our product. We hope you enjoy your new furniture!

Exploded View

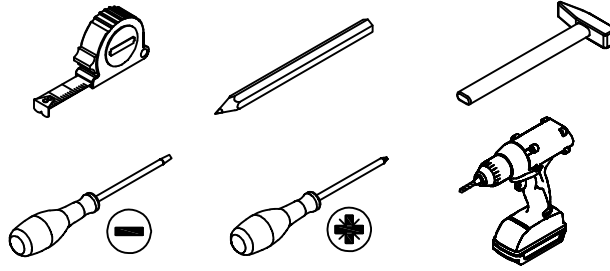


Parts List

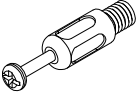
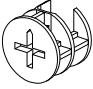
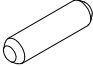

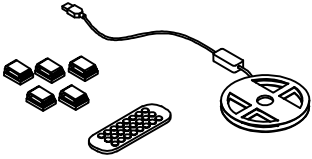
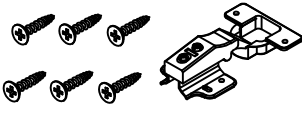
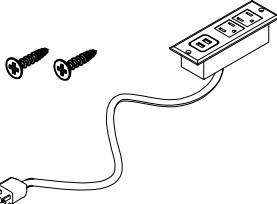
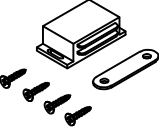
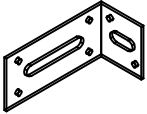


		
1 x1	2 x1	3 x1
		
4 x1	5 x1	6 x1
		
7 x1	8 x1	9 x1
		
10 x1	11 x1	12 x1



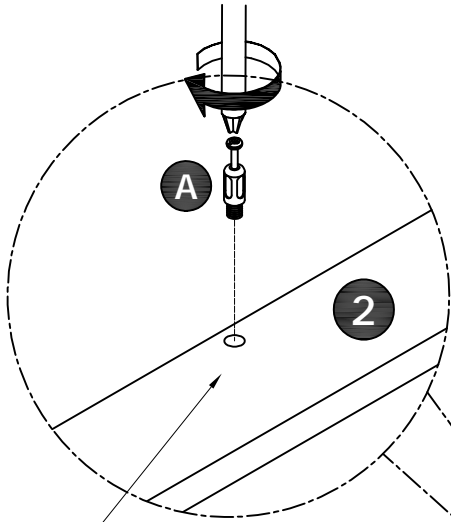
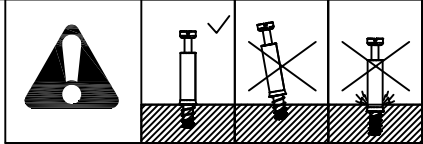
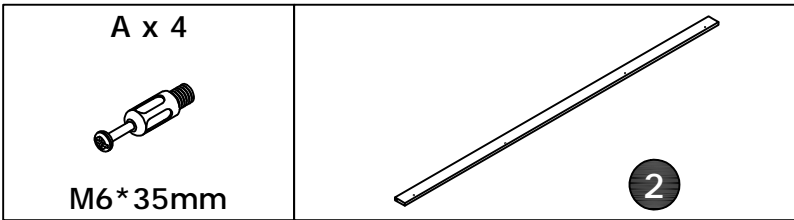
Please prepare the following tools



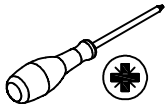
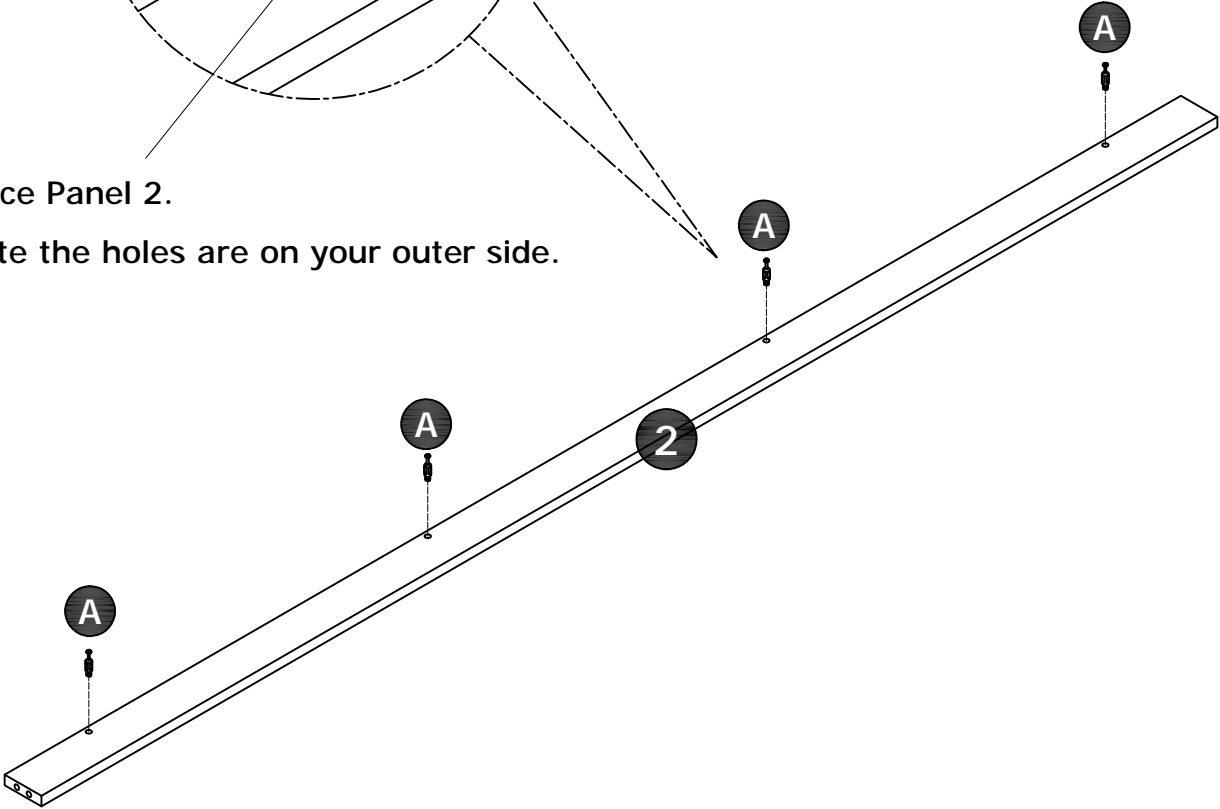
Hardware List

 M6*35mm	 Ø12*10mm	 Ø8*30mm	 Ø8*30mm
A x36	B x36	C x9	D x1
			
E x1	F x4	G x1	H x2
 			
I x2	J x2		


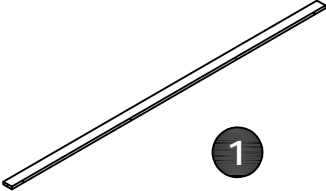
1

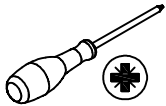
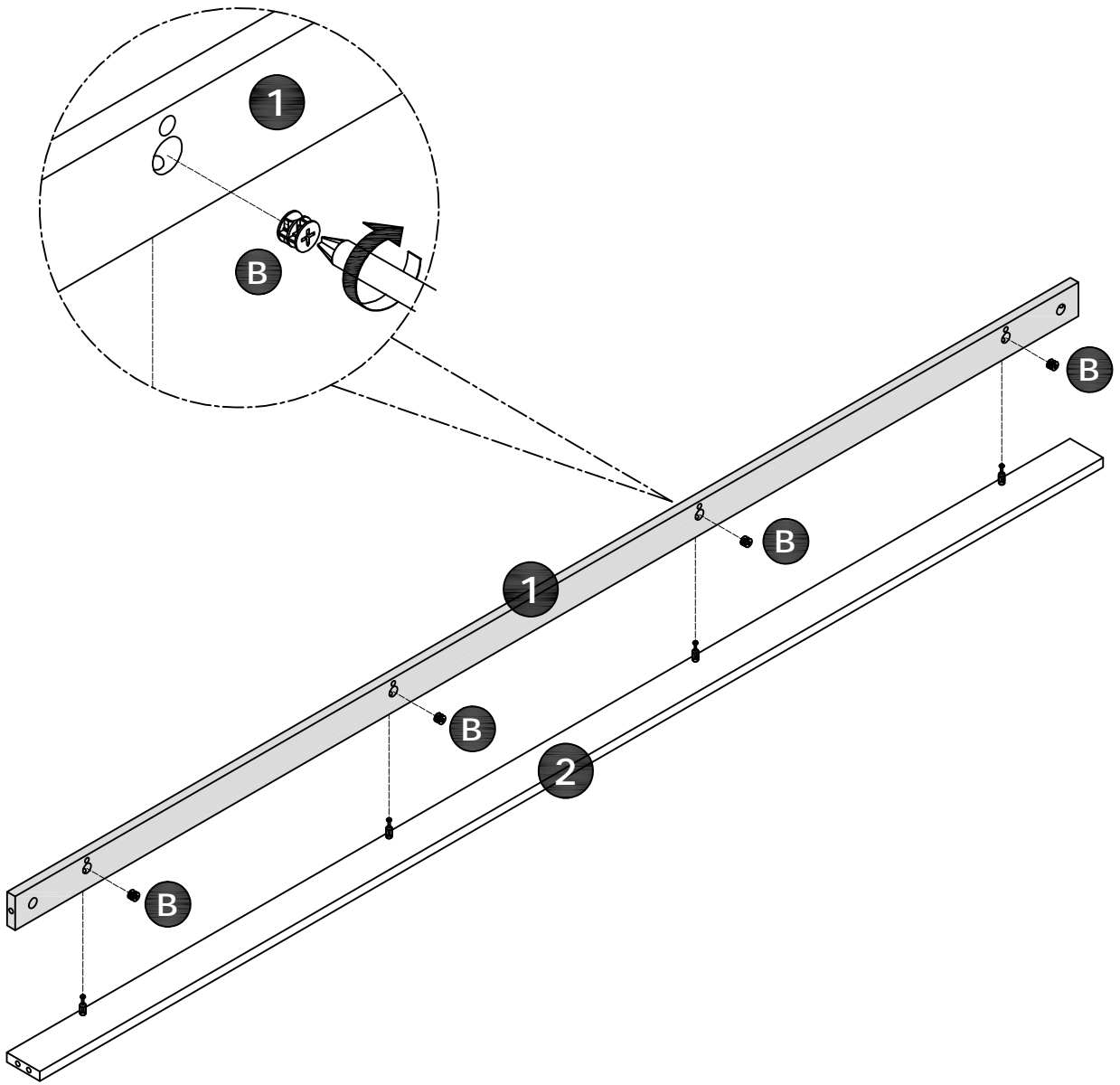
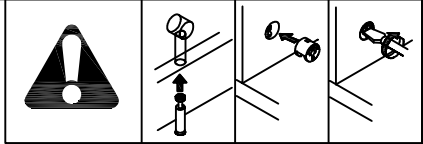


Place Panel 2.
Note the holes are on your outer side.

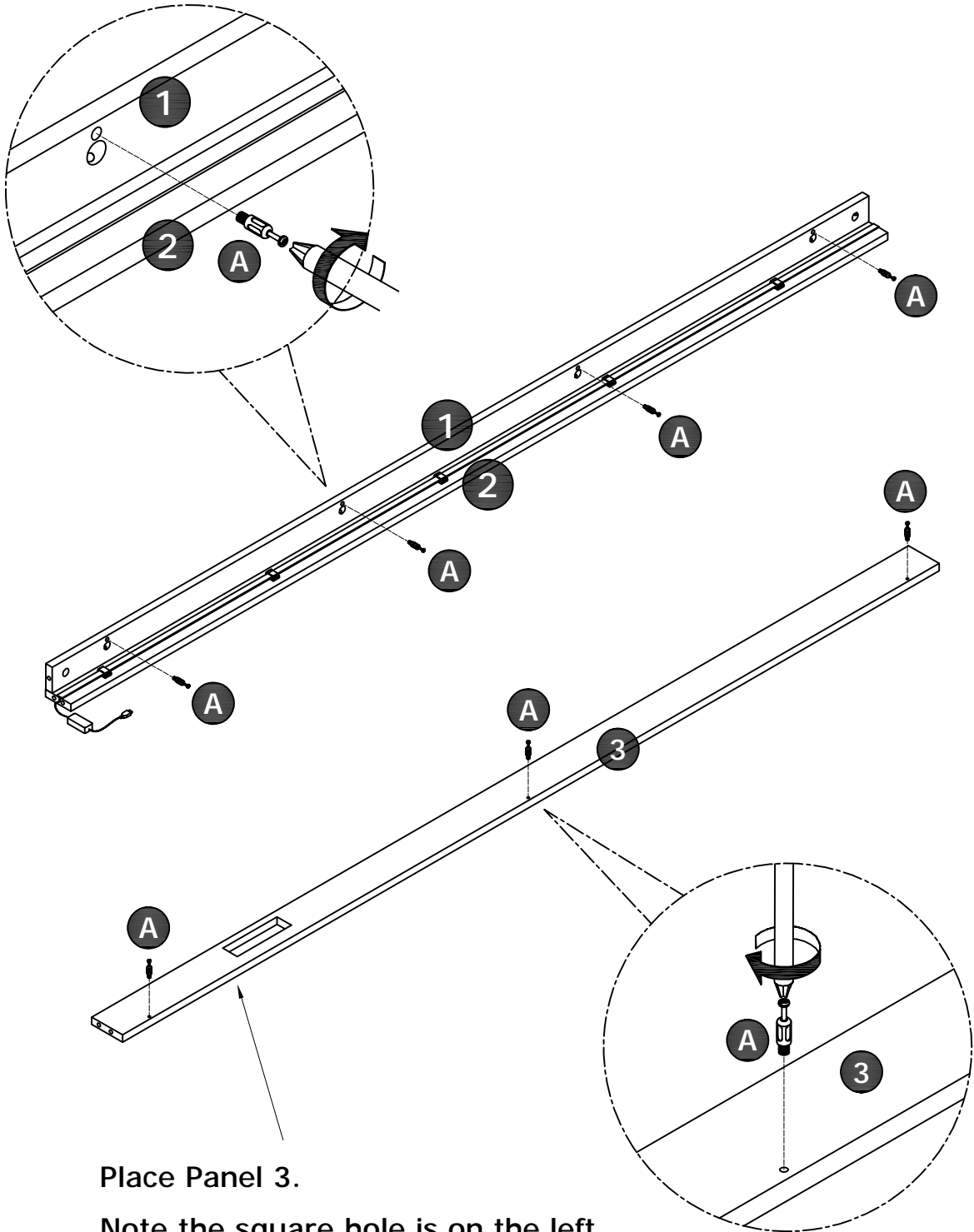
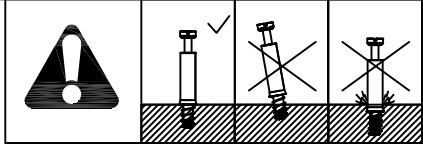
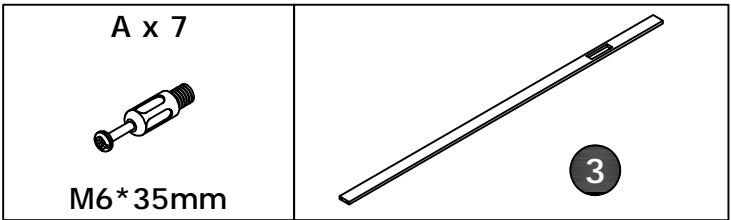


2

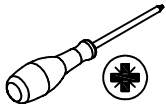
<p>B x 4</p>  <p>Ø12*10mm</p>	 <p>1</p>
--	--



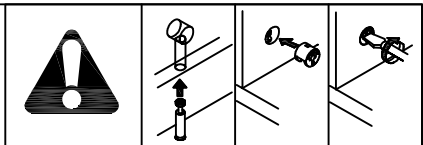
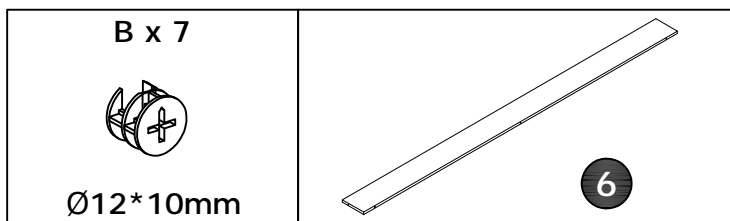
4



Place Panel 3.
Note the square hole is on the left,
and the round hole is close to you.

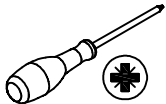
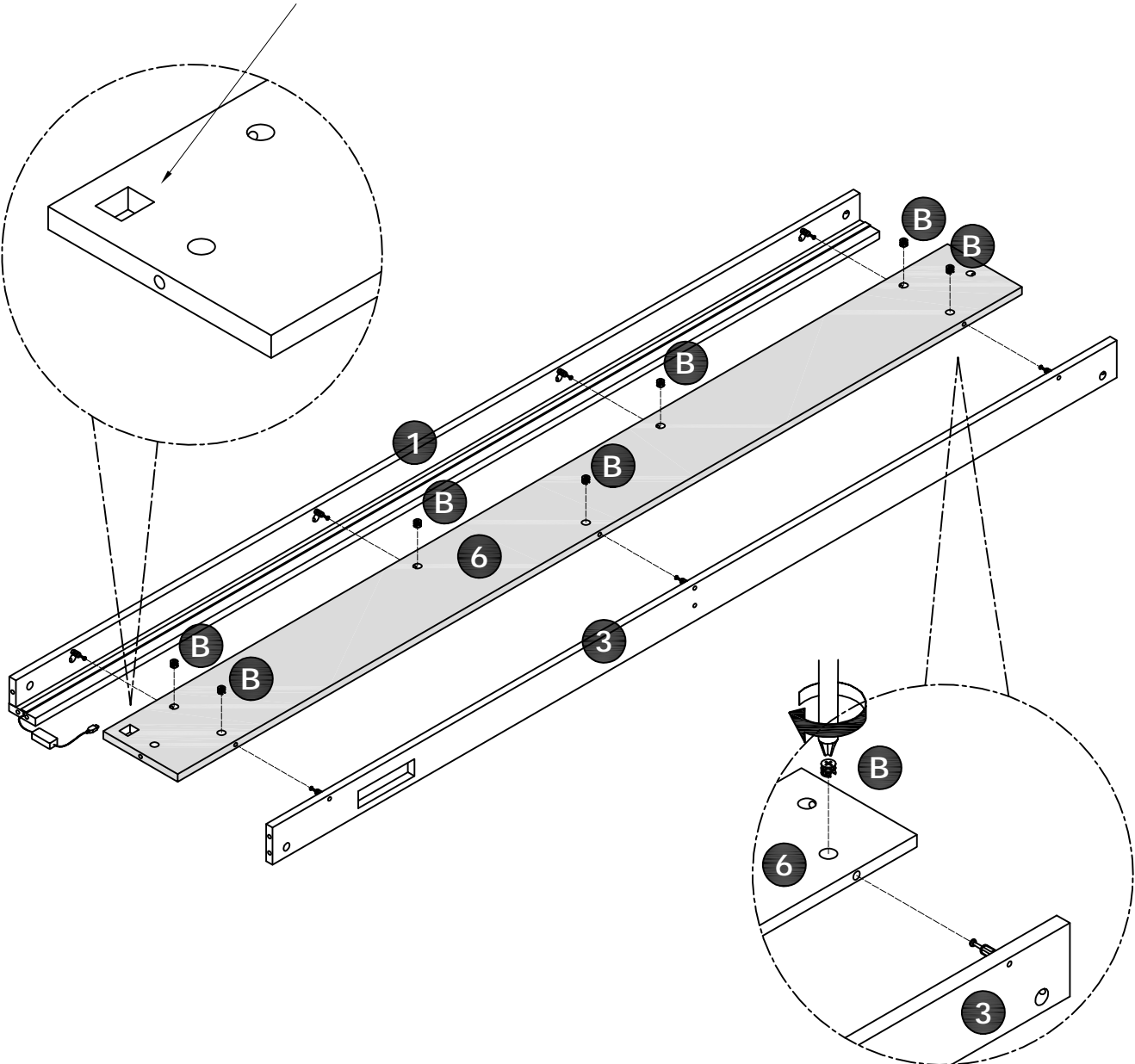


5

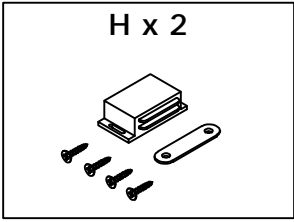


Place Panel 6.

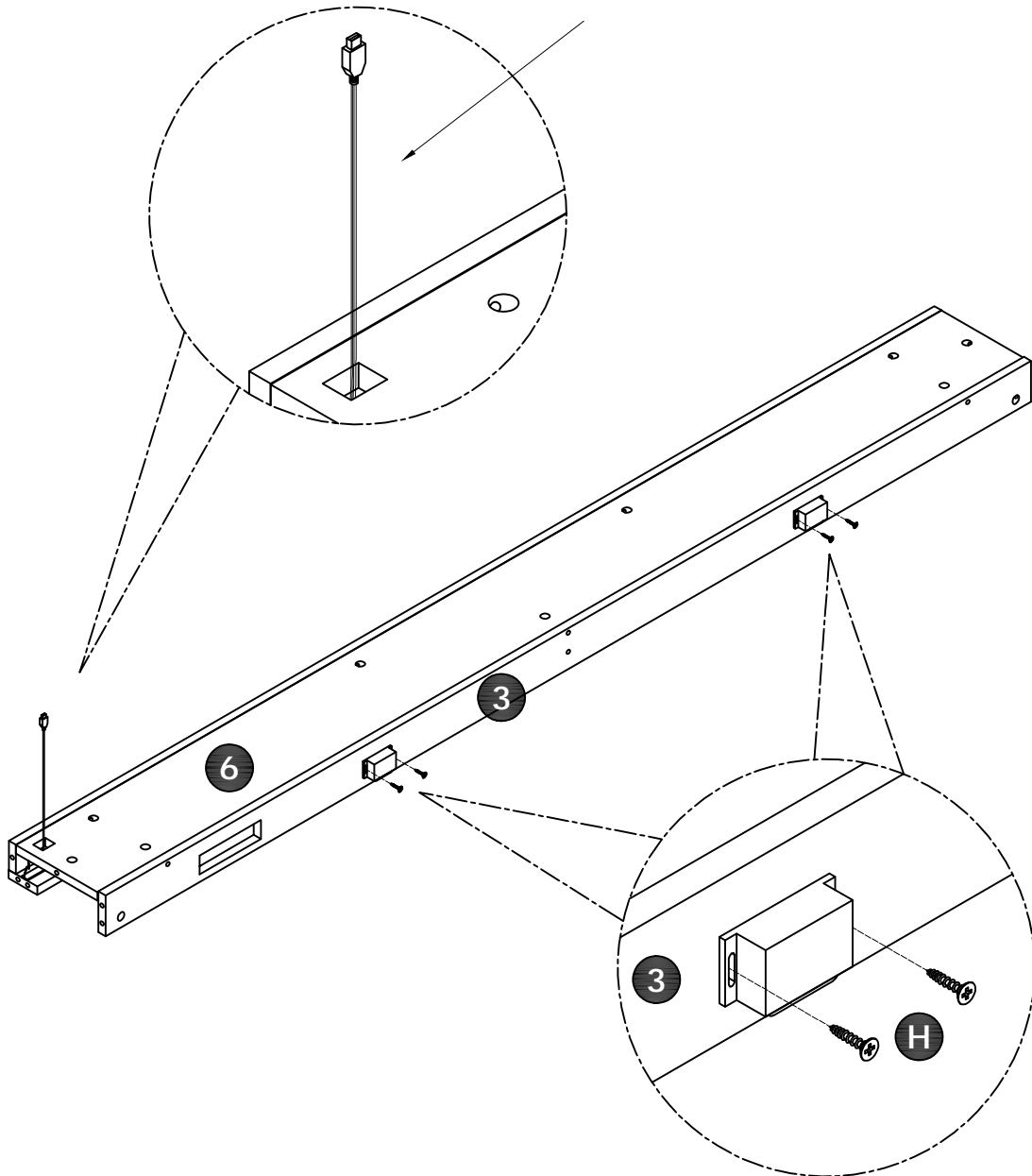
Note the square hole is in the top-left corner.



6

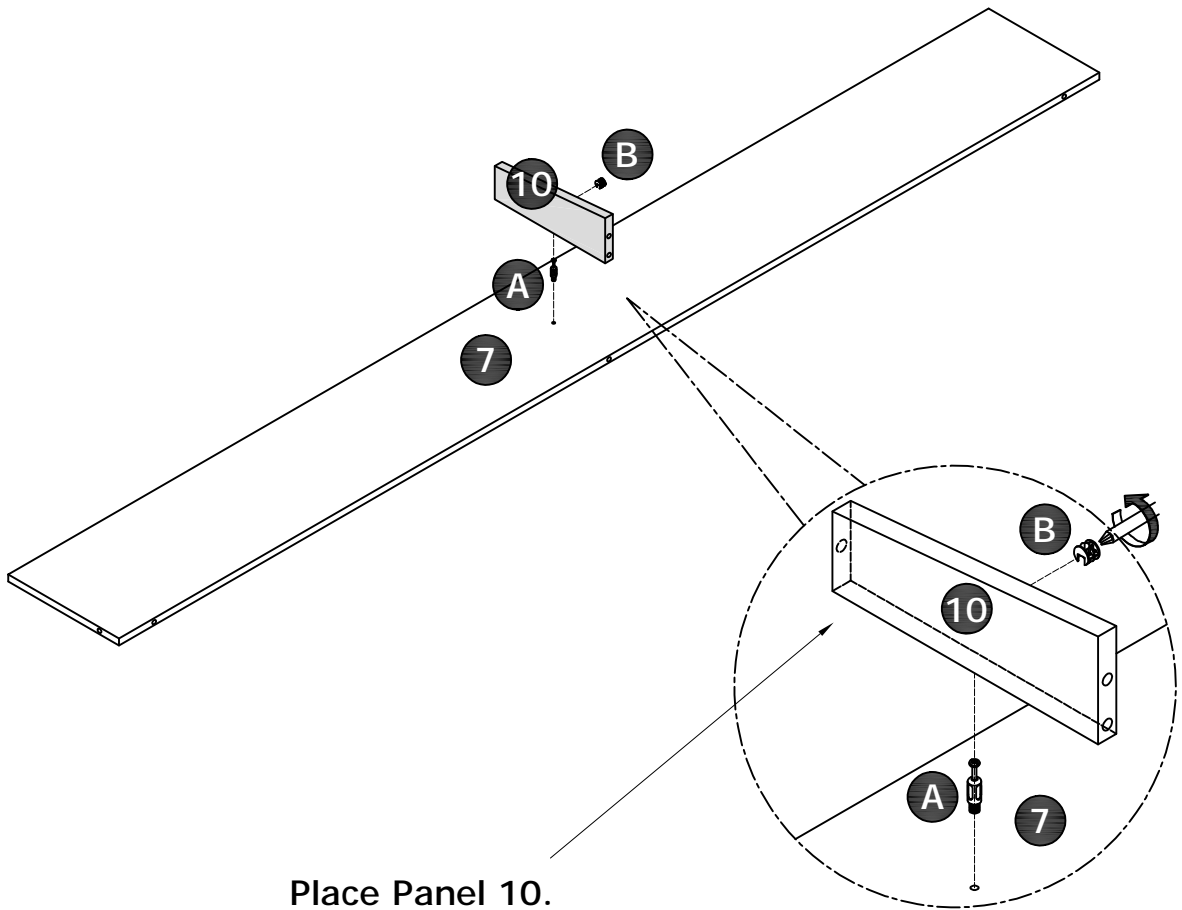
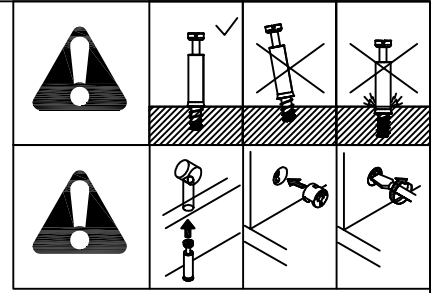
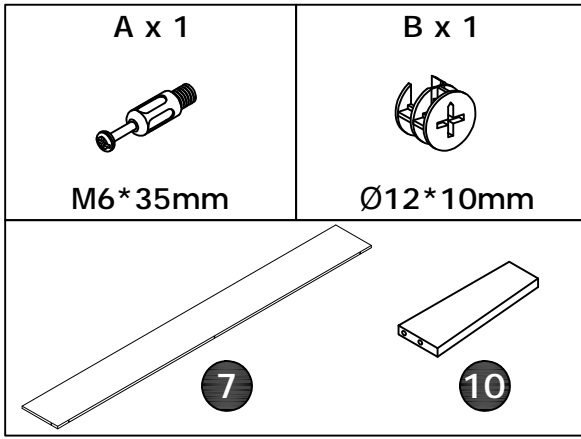


Thread the USB cable through Panel 6's square hole and pull it as far out as possible.



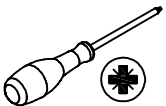
Please note that the side with the magnet should face downward.

7



Place Panel 10.

Note that the side with a single hole faces your outer side.

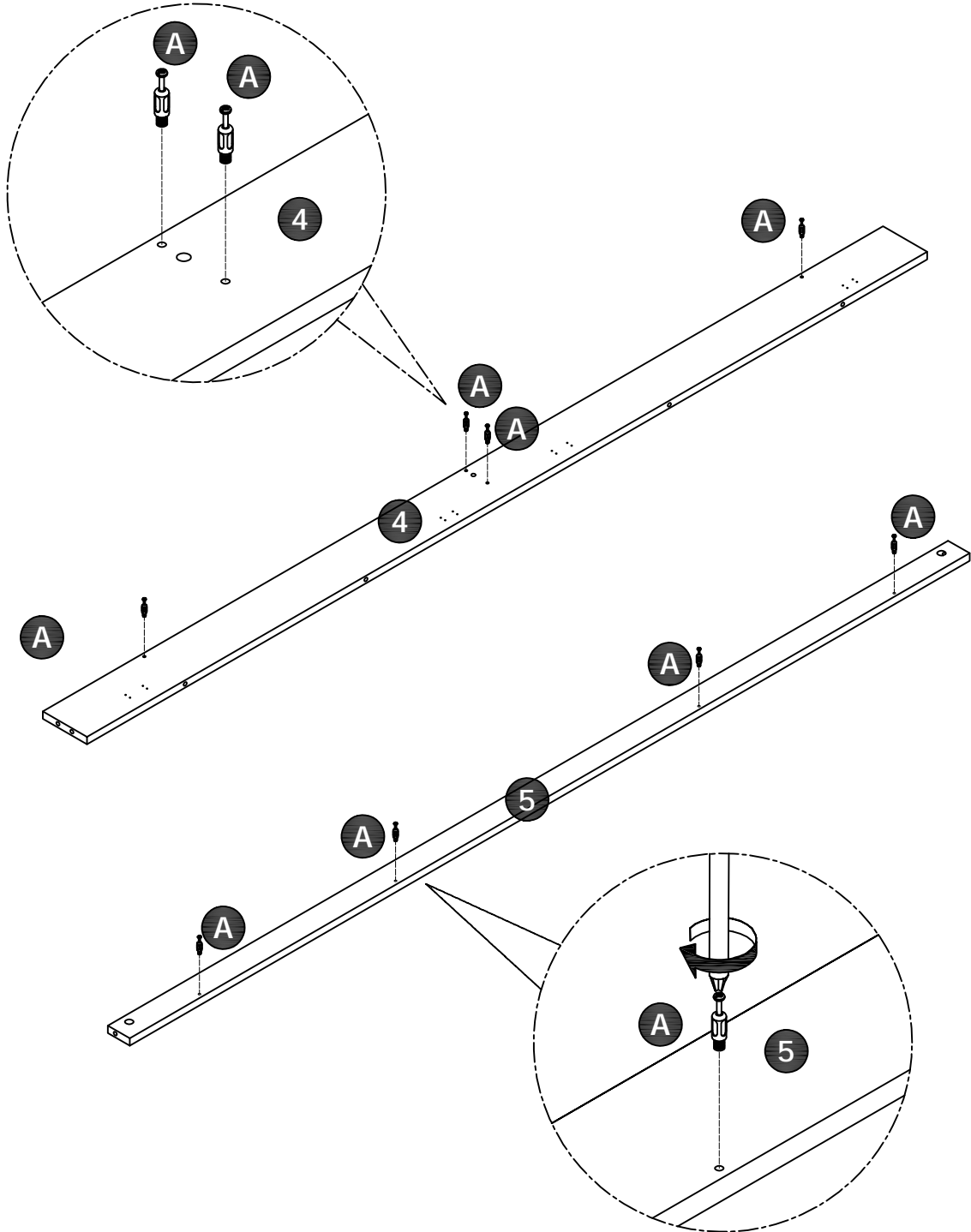
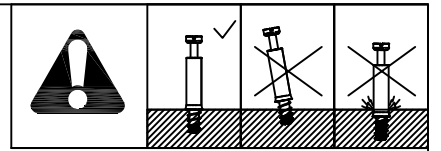
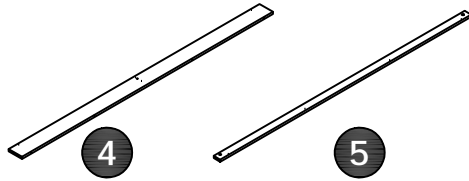


8

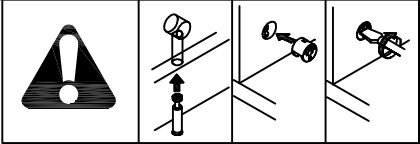
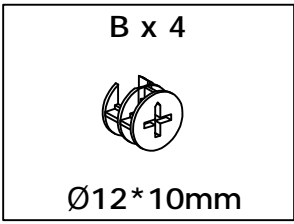
A x 8



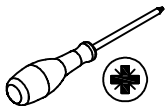
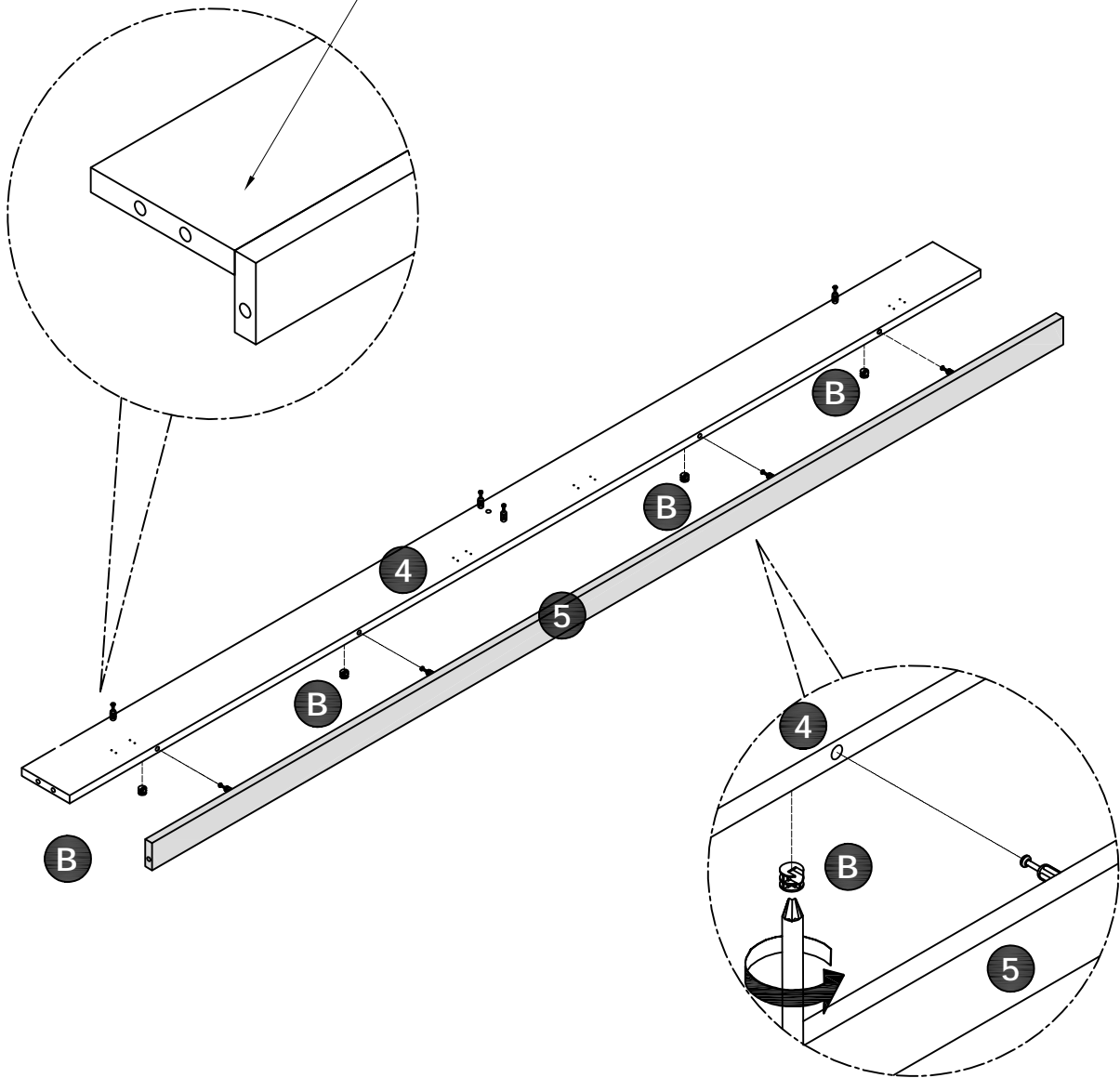
M6*35mm





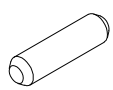
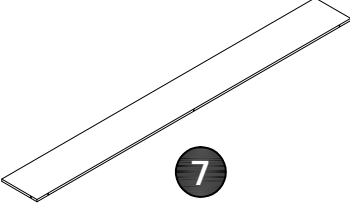
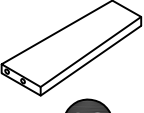
9

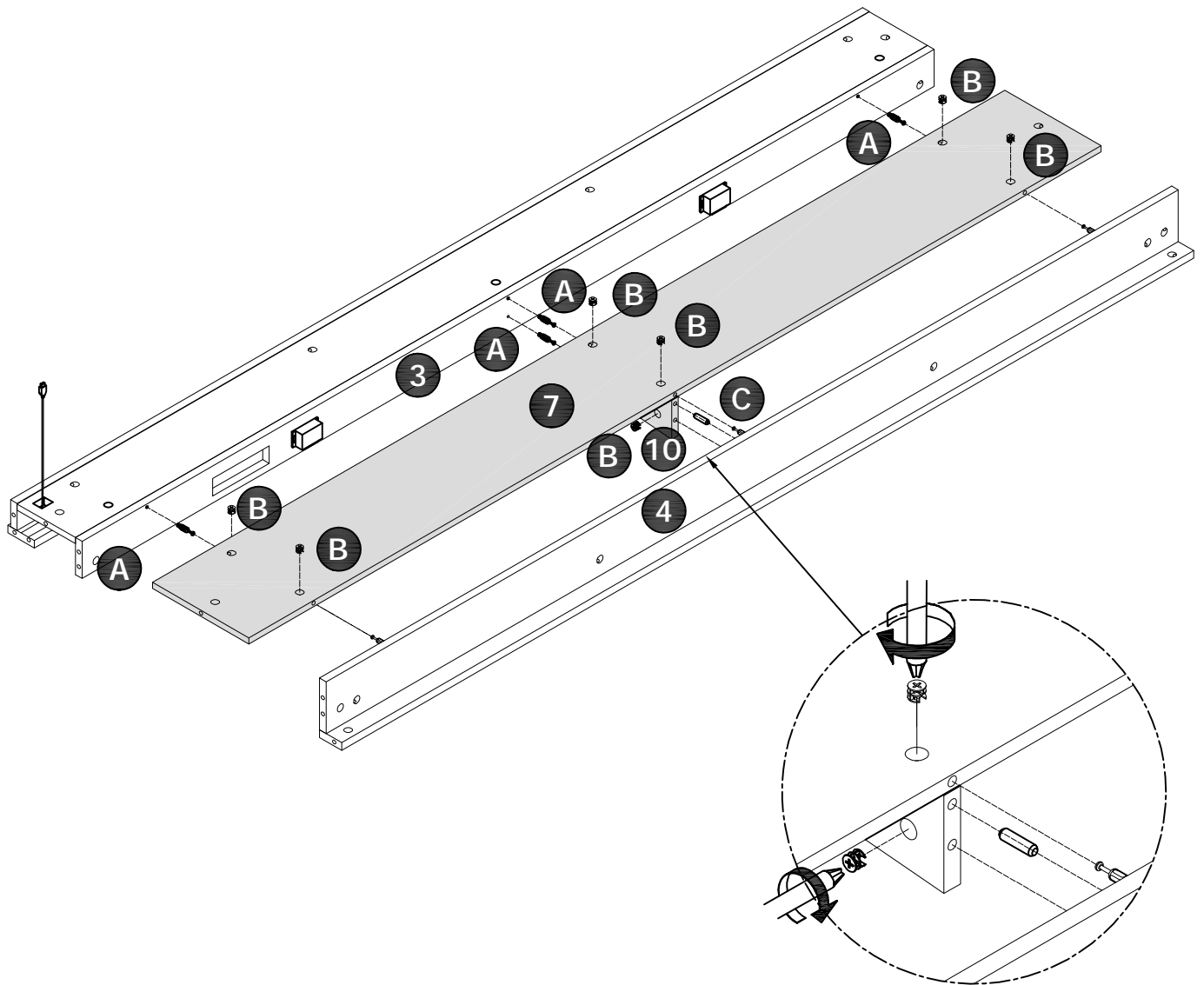
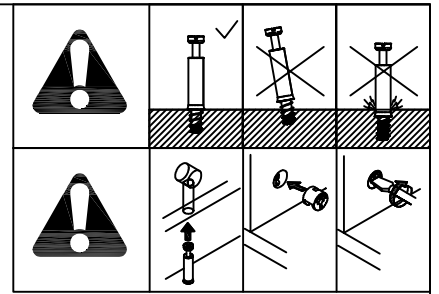


Note this is the result of Panels 4 and 5 when connected.



10

A x 4  M6*35mm	B x 8  Ø12*10mm	C x 1  Ø8*30mm
 7		 10

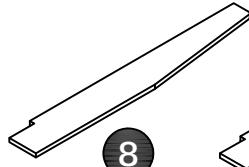


11

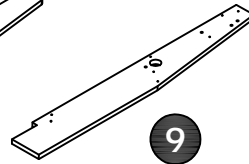
A x 12



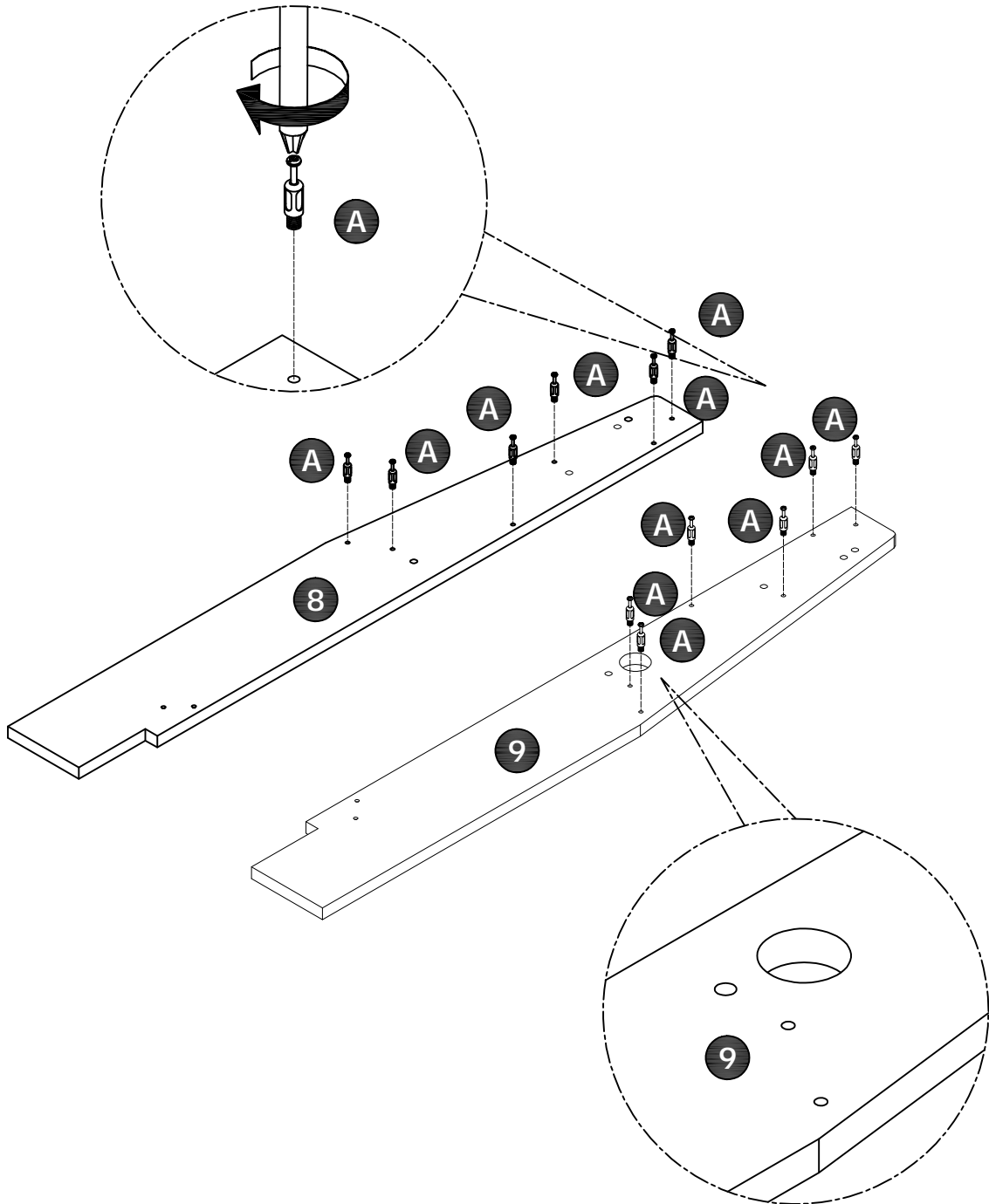
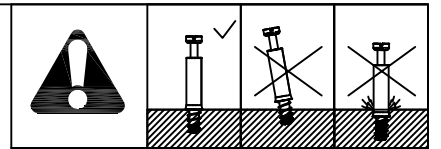
M6*35mm



8



9



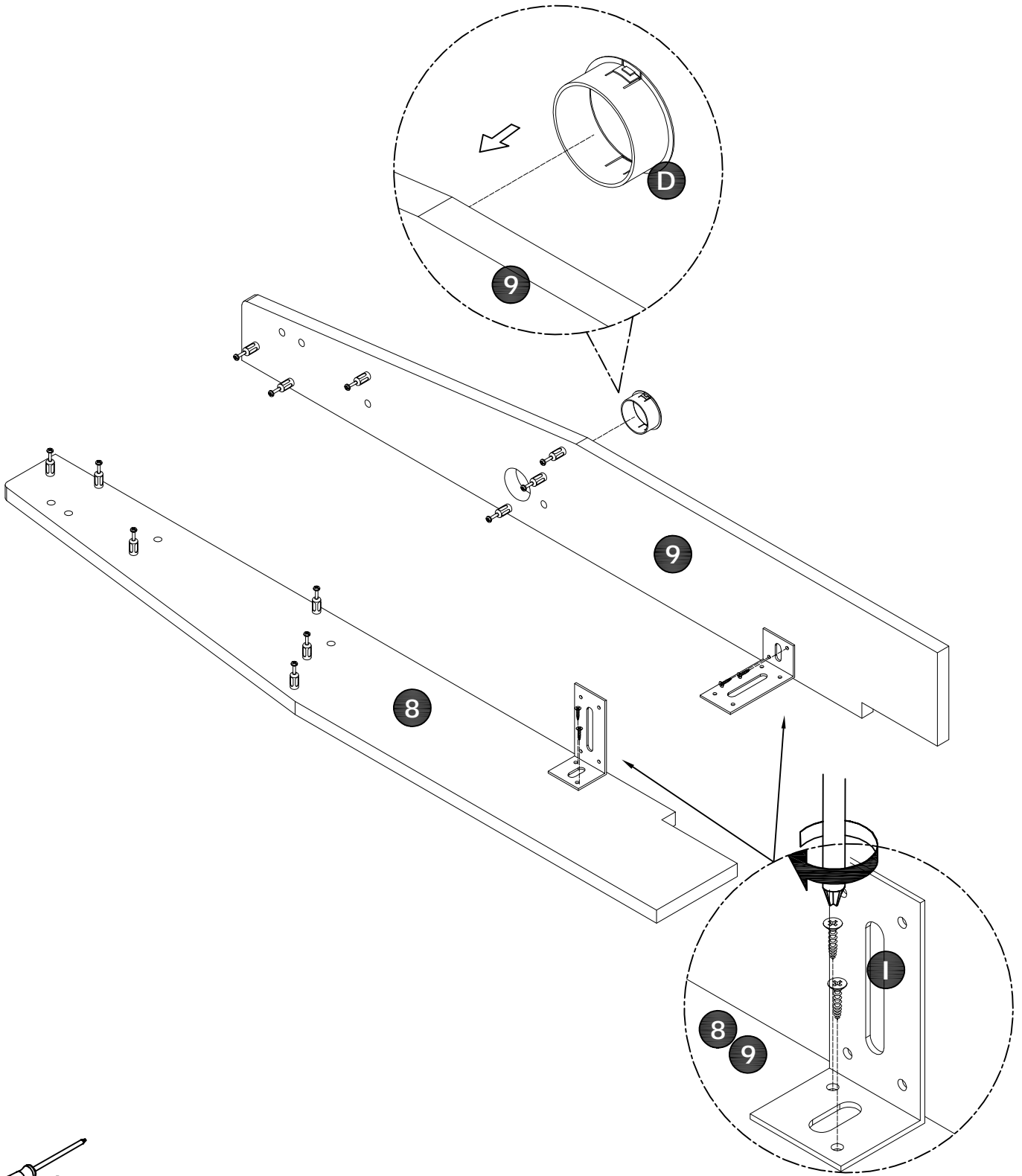
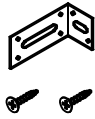
The component with through-hole is part 9

12

D x 1



I x 2



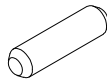
13

B x 12

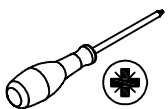
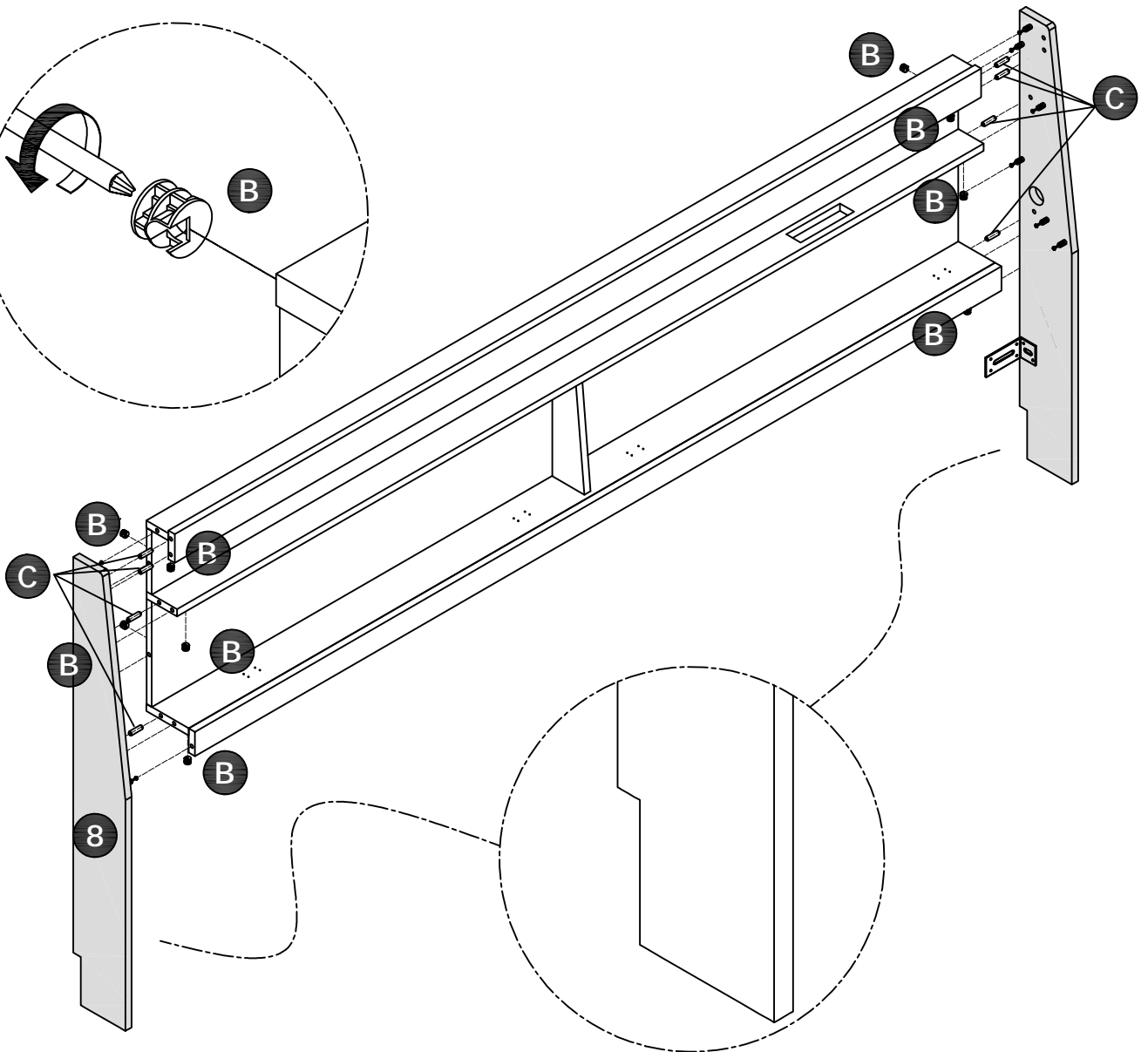
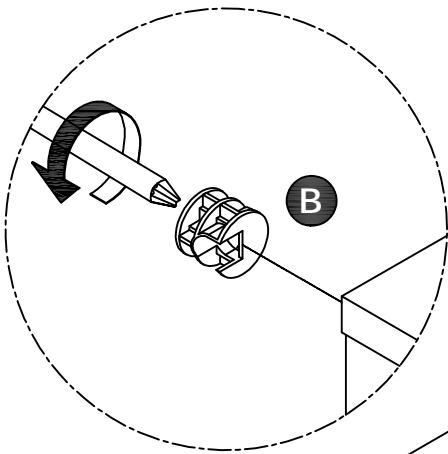
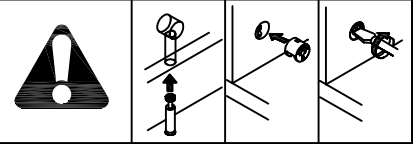


Ø12*10mm

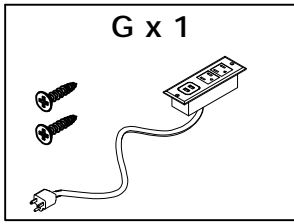
C x 8



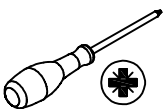
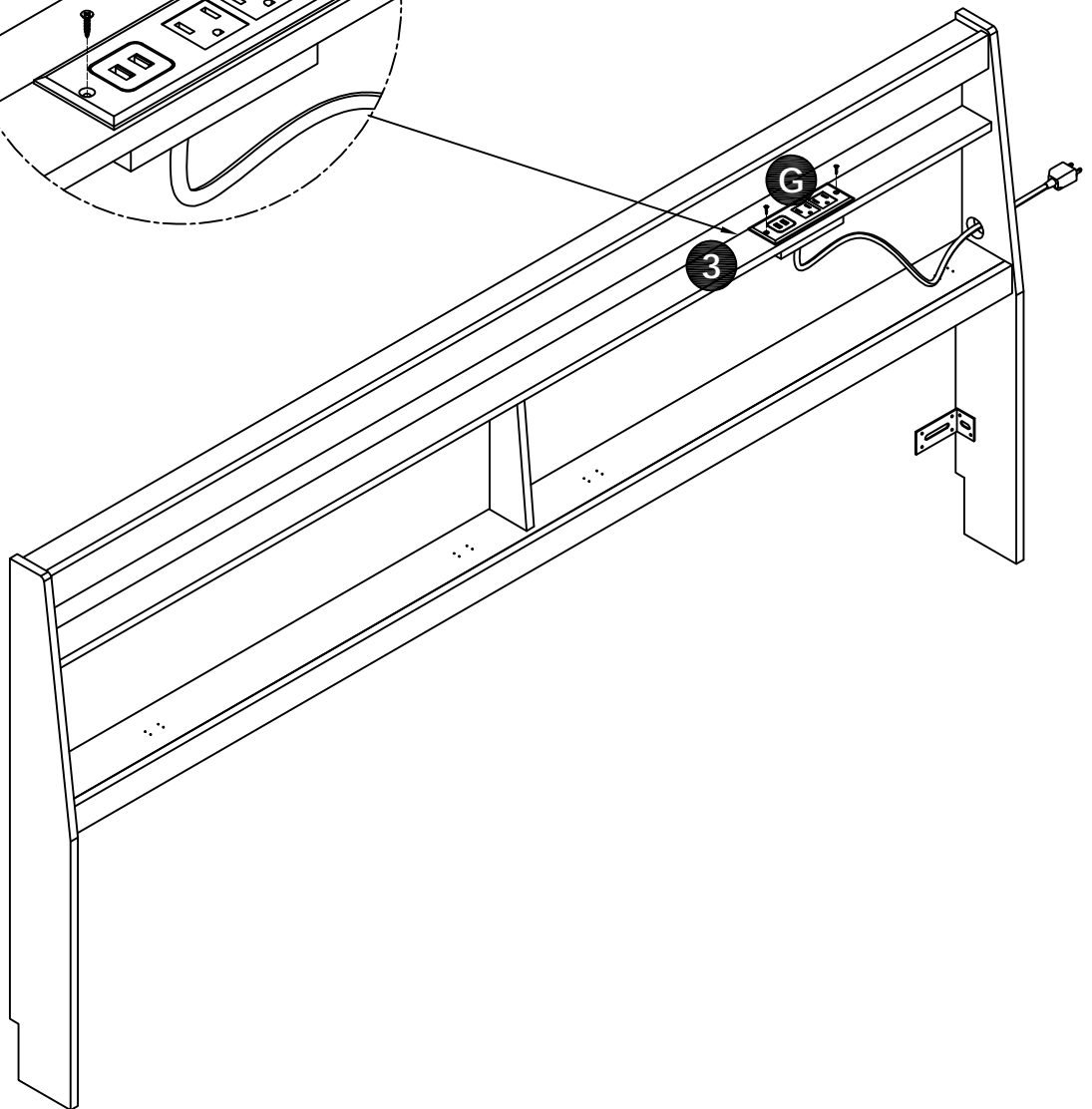
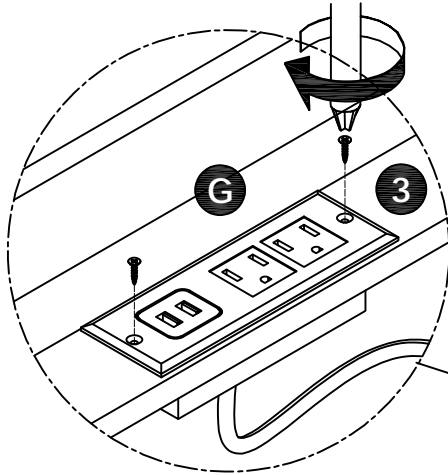
Ø8*30mm



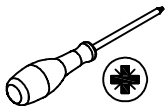
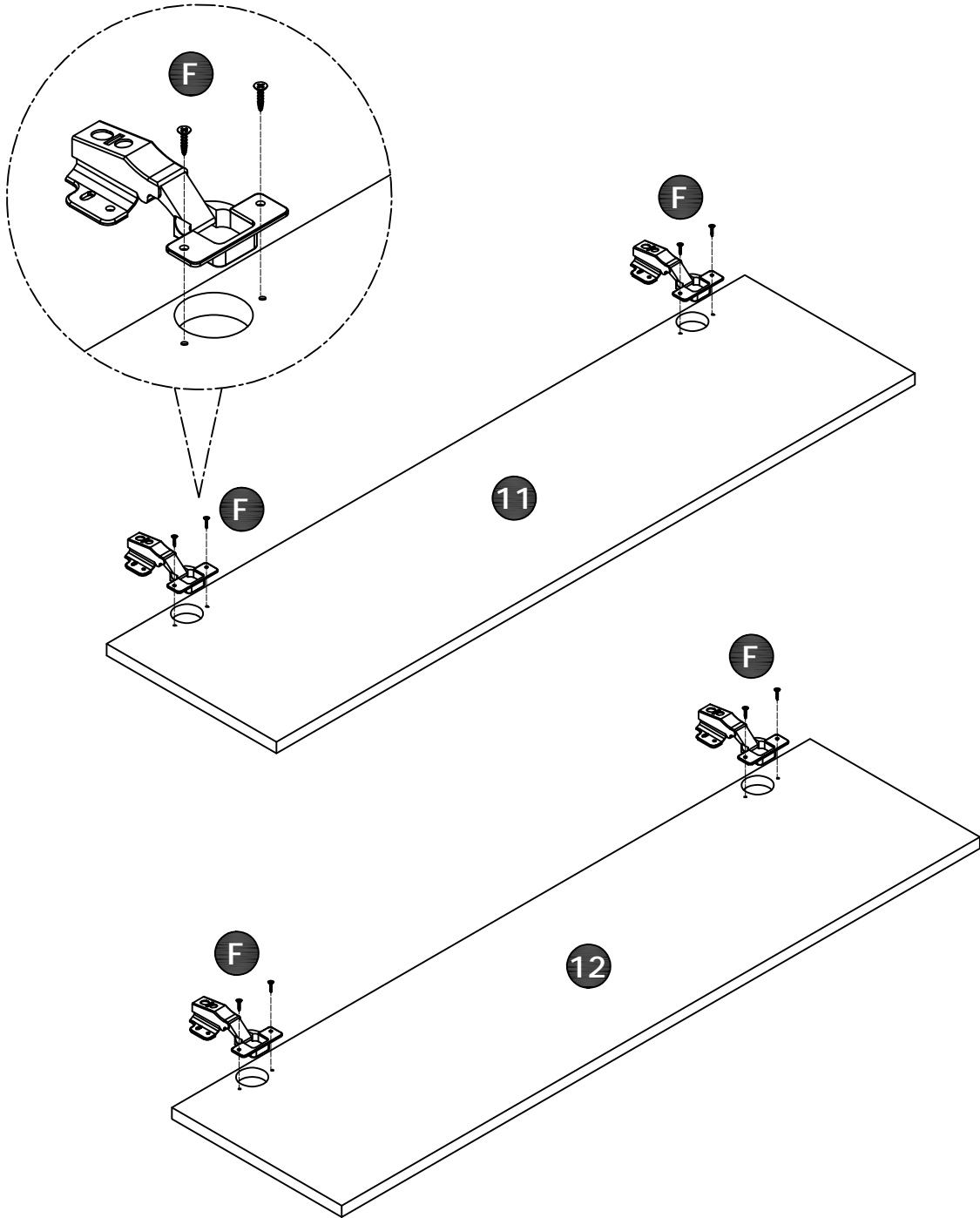
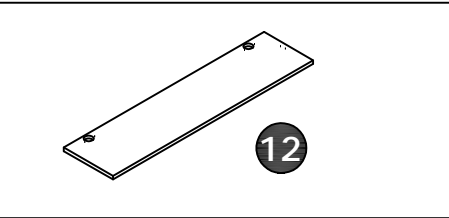
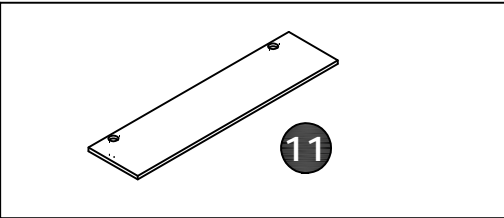
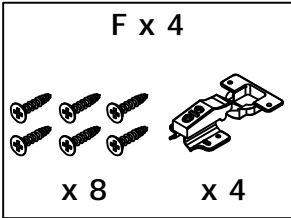
14



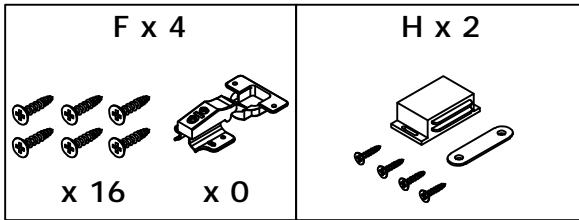
The socket panel has no holes; please use a short screwdriver to insert and tighten it directly into the socket holes.



15



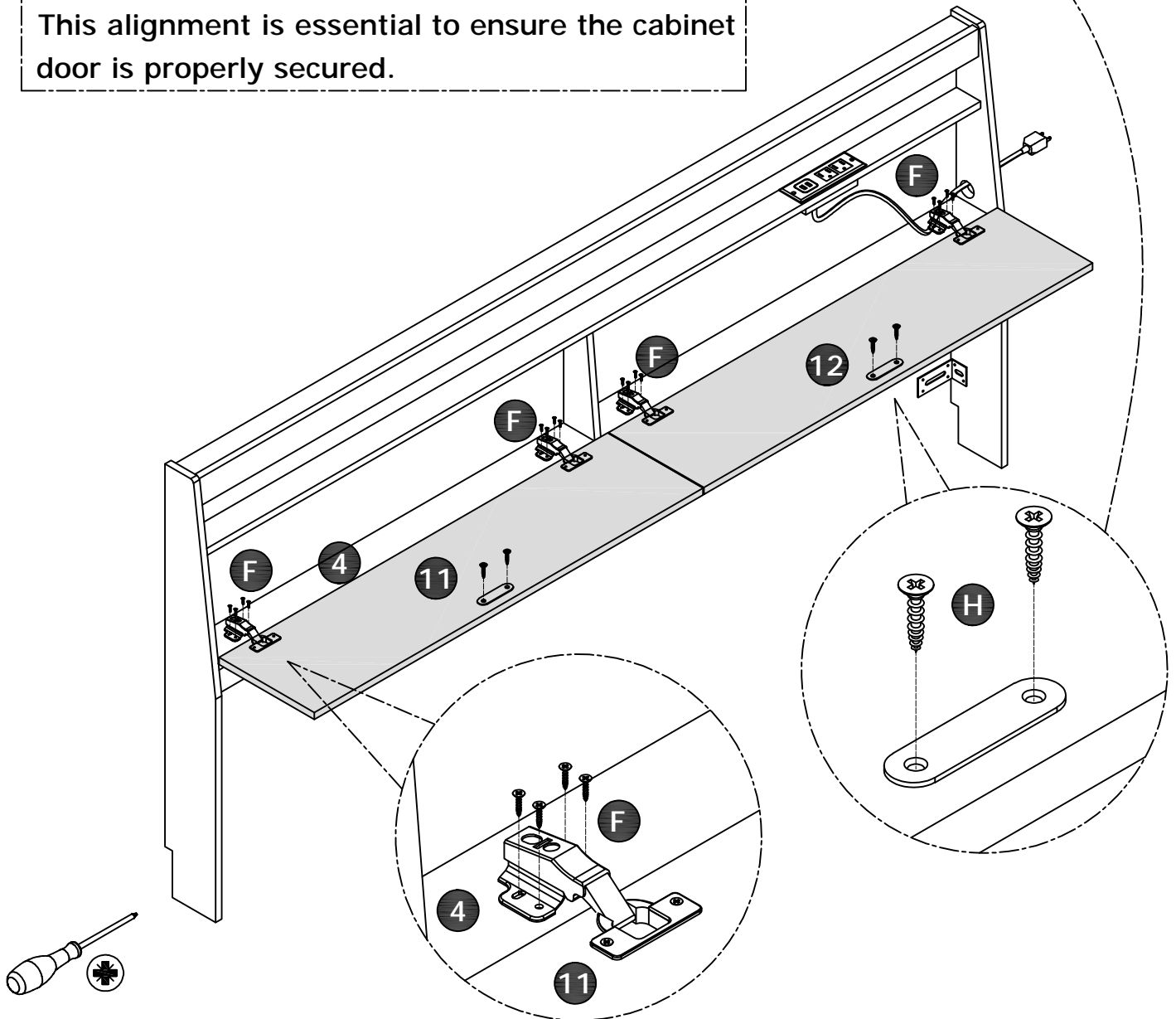
16



Please note that there are 2 pieces of parts marked H.

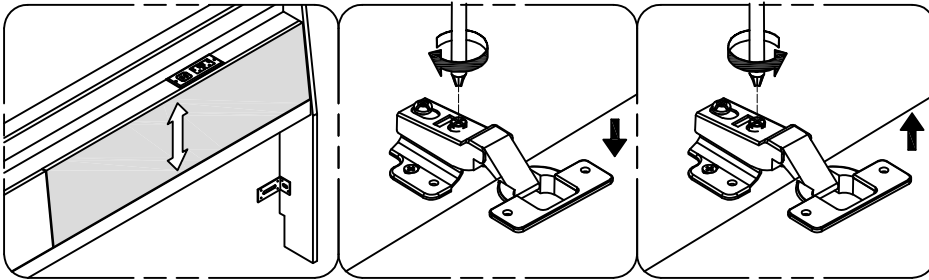
During Installation Step 16, make sure to align the H parts on Panel 11 and Panel 12 with the H part on Panel 3.

This alignment is essential to ensure the cabinet door is properly secured.

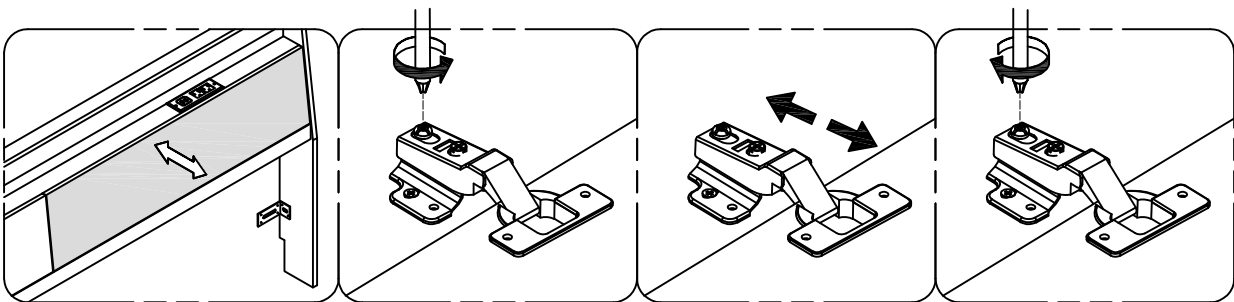


17 Adjust as needed to ensure proper door alignment

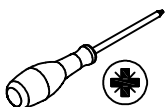
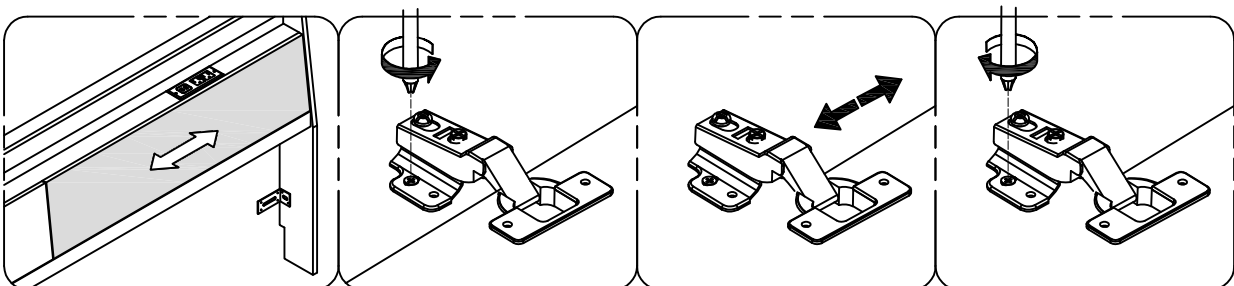
Up & Down Adjustment



Forward & Back Adjustment

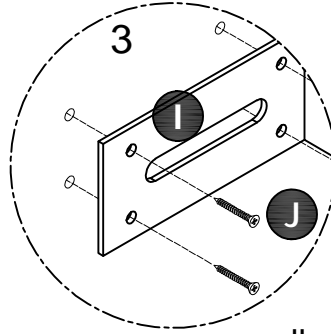
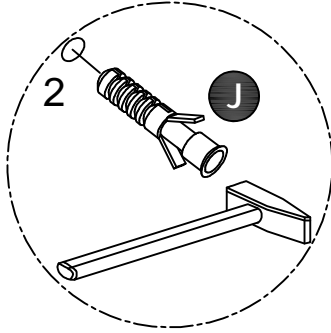
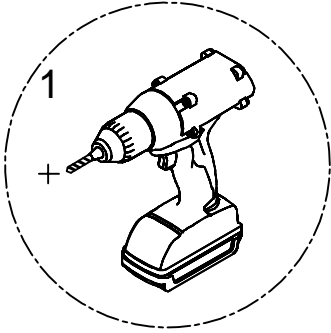


Left & Right Adjustment



18

J x 2



wall

wall

