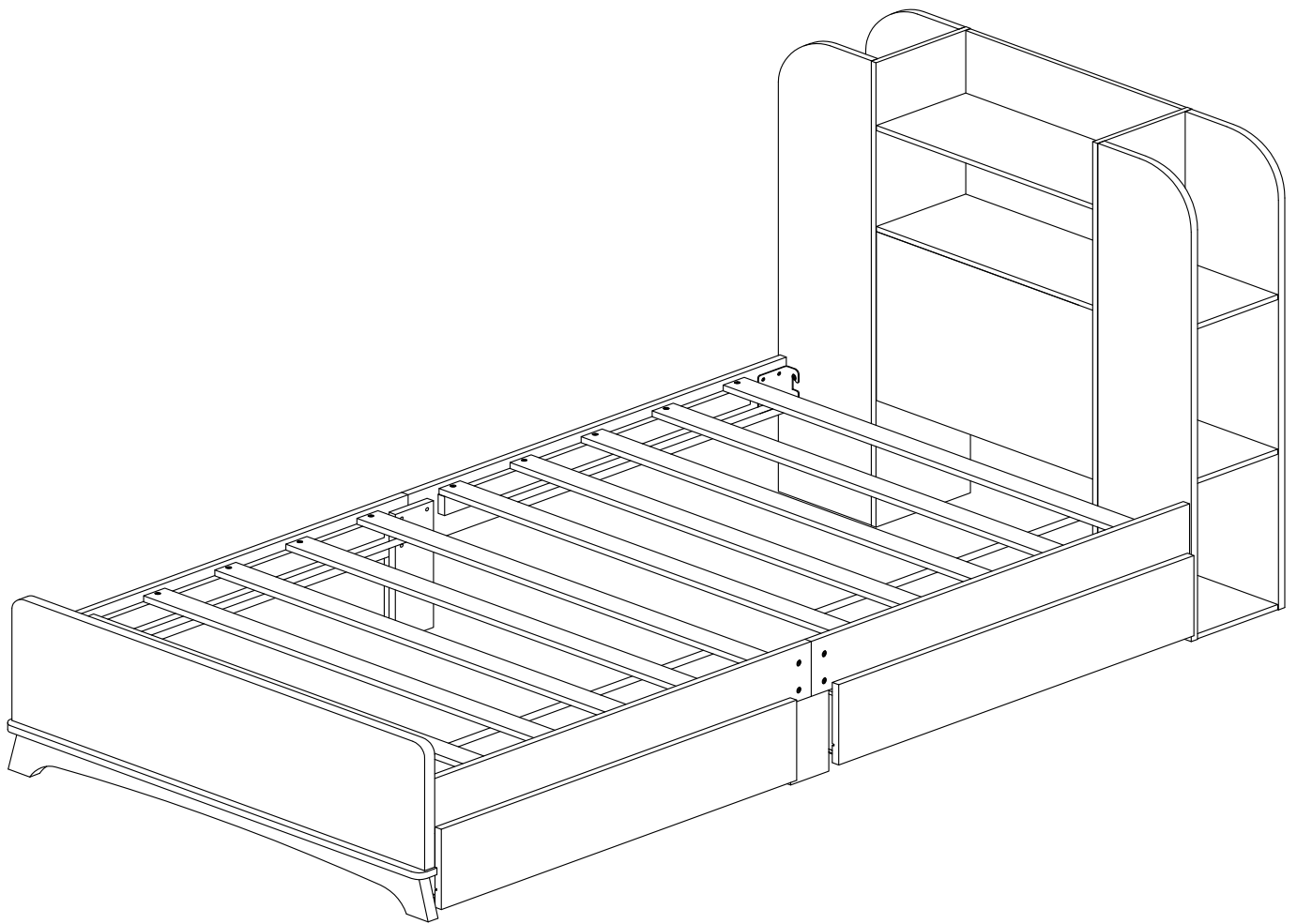


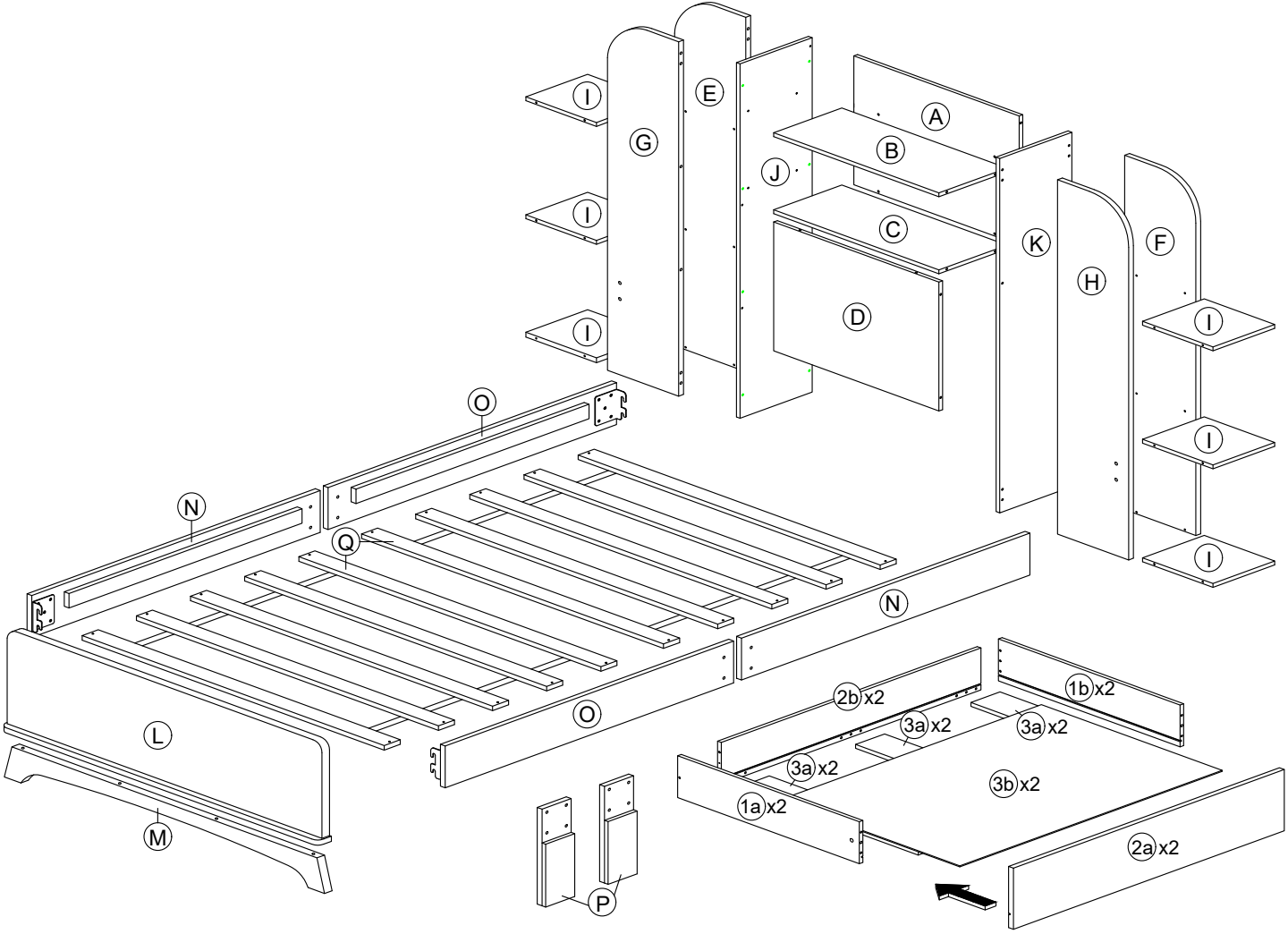
ASSEMBLY INSTRUCTION

(Twin : Drawers Bed)



ASSEMBLY INSTRUCTION

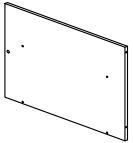
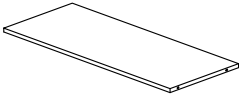
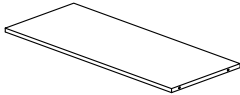
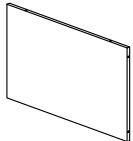




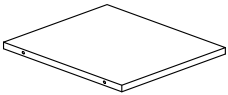


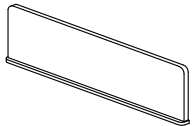
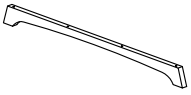
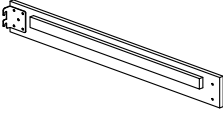
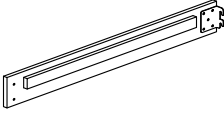
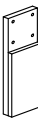
(Twin : Drawers Bed)



ASSEMBLY INSTRUCTION

(Twin : Drawers Bed)

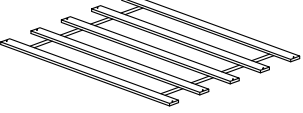
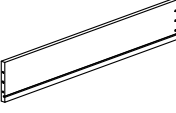
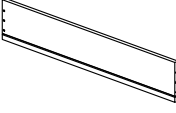
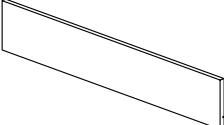
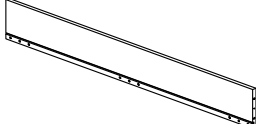

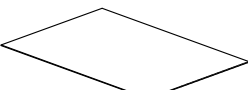
PART LIST

| | | | |
|---|--|---|---|
| <p style="text-align: center;">A</p>  <p style="text-align: center;">Back Middle Panel 1 PCS</p> | <p style="text-align: center;">B</p>  <p style="text-align: center;">Middle Panel Up 1 PCS</p> | <p style="text-align: center;">C</p>  <p style="text-align: center;">Middle Panel Down 1 PCS</p> | <p style="text-align: center;">D</p>  <p style="text-align: center;">Front Panel 1 PCS</p> |
| <p style="text-align: center;">E</p>  <p style="text-align: center;">Side Panel Back L 1 PCS</p> | <p style="text-align: center;">F</p>  <p style="text-align: center;">Side Panel Back R 1 PCS</p> | <p style="text-align: center;">G</p>  <p style="text-align: center;">Side Panel Front L 1 PCS</p> | <p style="text-align: center;">H</p>  <p style="text-align: center;">Side Panel Front R 1 PCS</p> |
| <p style="text-align: center;">I</p>  <p style="text-align: center;">Box Middle Panel 6 PCS</p> | <p style="text-align: center;">J</p>  <p style="text-align: center;">Box Back Panel L 1 PCS</p> | <p style="text-align: center;">K</p>  <p style="text-align: center;">Box Back Panel R 1 PCS</p> | <p style="text-align: center;">L</p>  <p style="text-align: center;">Footboard 1 PCS</p> |
| <p style="text-align: center;">M</p>  <p style="text-align: center;">Footboard Leg 1 PCS</p> | <p style="text-align: center;">N</p>  <p style="text-align: center;">Bed Side Front R / Rear L 2 PCS</p> | <p style="text-align: center;">O</p>  <p style="text-align: center;">Bed Side Front L / Rear R 2 PCS</p> | <p style="text-align: center;">P</p>  <p style="text-align: center;">Bed Side Leg 2 PCS</p> |








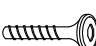

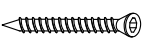

ASSEMBLY INSTRUCTION

(Twin : Drawers Bed)

PART LIST

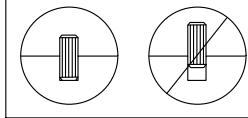
| | | | |
|---|--|--|---|
| <p>Q</p>  <p>Bed Slats 2 PCS</p> | <p>1a</p>  <p>Drawer Side L 2 PCS</p> | <p>1b</p>  <p>Drawer Side R 2 PCS</p> | <p>2a</p>  <p>Drawer Head 2 PCS</p> |
| <p>2b</p>  <p>Drawer Back 2 PCS</p> | <p>3a</p>  <p>Drawer Support 6 PCS</p> | <p>3b</p>  <p>Drawer Panel 2 PCS</p> | |

HARDWARE LIST

| | | | |
|--|---|--|---|
| <p>1</p>  <p>M6x30MM Wood Dowel 48 PCS</p> | <p>2</p>  <p>Camlock 12MM 56 PCS</p> | <p>3</p>  <p>Camlock Bolt 12MM 56 PCS</p> | <p>4</p>  <p>M4 Allen Key 1 PCS</p> |
| <p>5</p>  <p>M5 Allen Key 1 PCS</p> | <p>6</p>  <p>M3.5x12MM Screw 32 PCS</p> | <p>7</p>  <p>M4x38MM Screw 30 PCS</p> | <p>8</p>  <p>M6x25MM JCBC Screw 8 PCS</p> |
| <p>9</p>  <p>M8x16MM JCBB Screw 8 PCS</p> | <p>10</p>  <p>Csk M6x50MM 20 PCS</p> | <p>11</p>  <p>Casters 8 PCS</p> | |

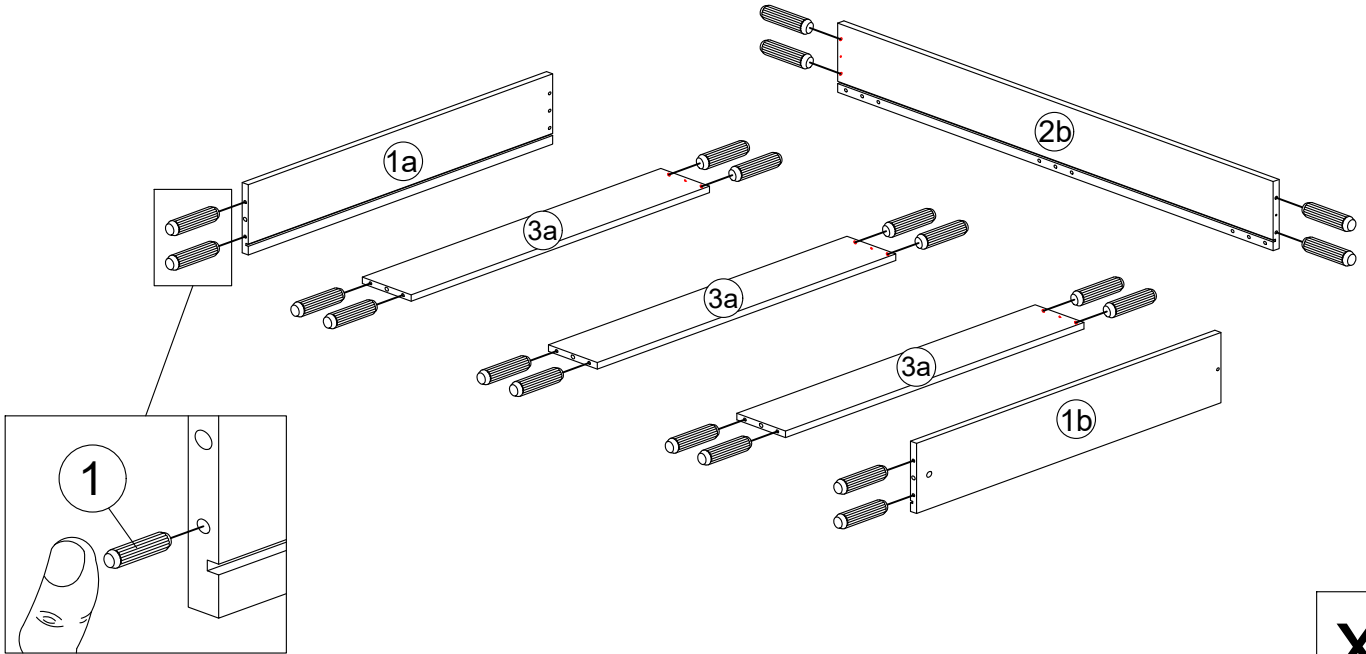
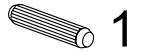
ASSEMBLY INSTRUCTION

Step 1



Required/Requis/Requerido

x40

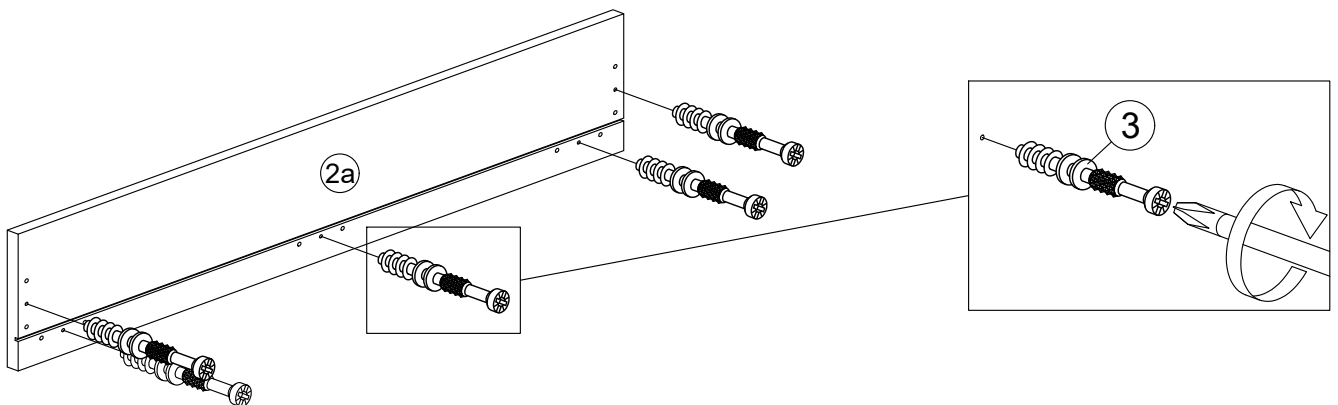


x2

Step 2

Required/Requis/Requerido

x10



x2

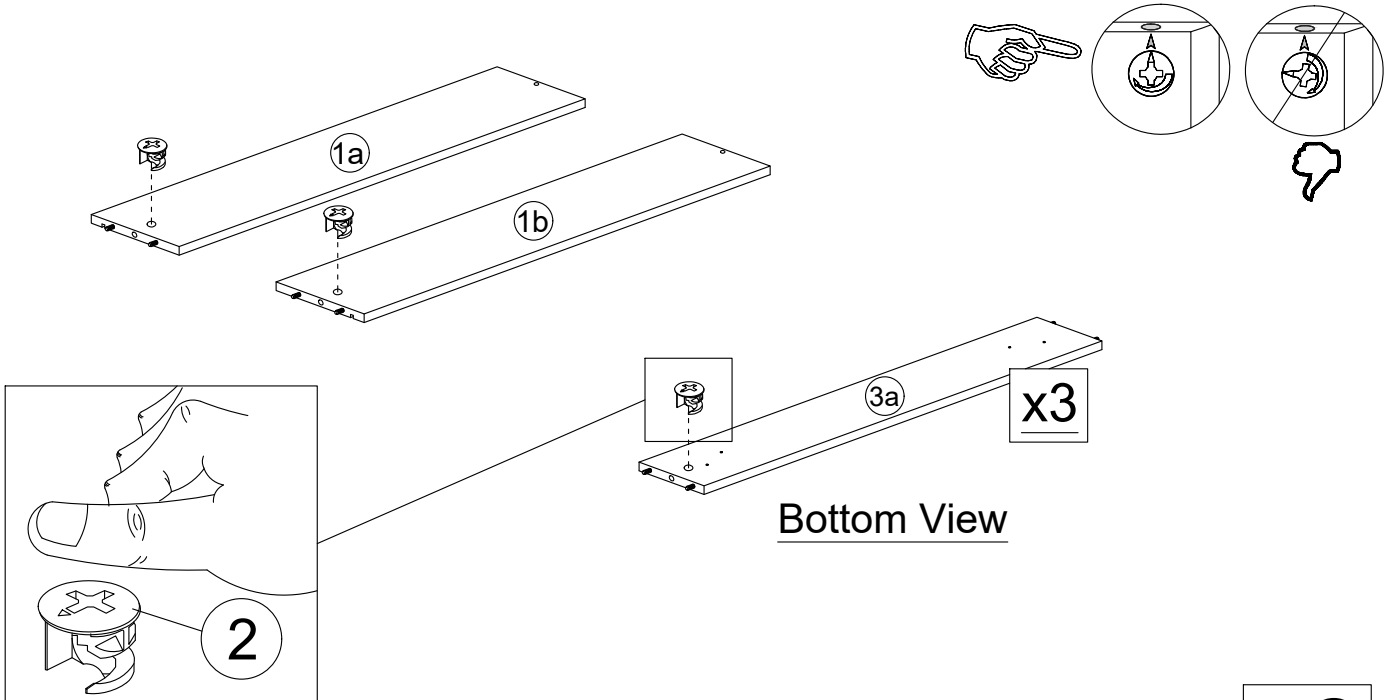
ASSEMBLY INSTRUCTION

Step 3

Required/Requis/Requerido

x10

 2



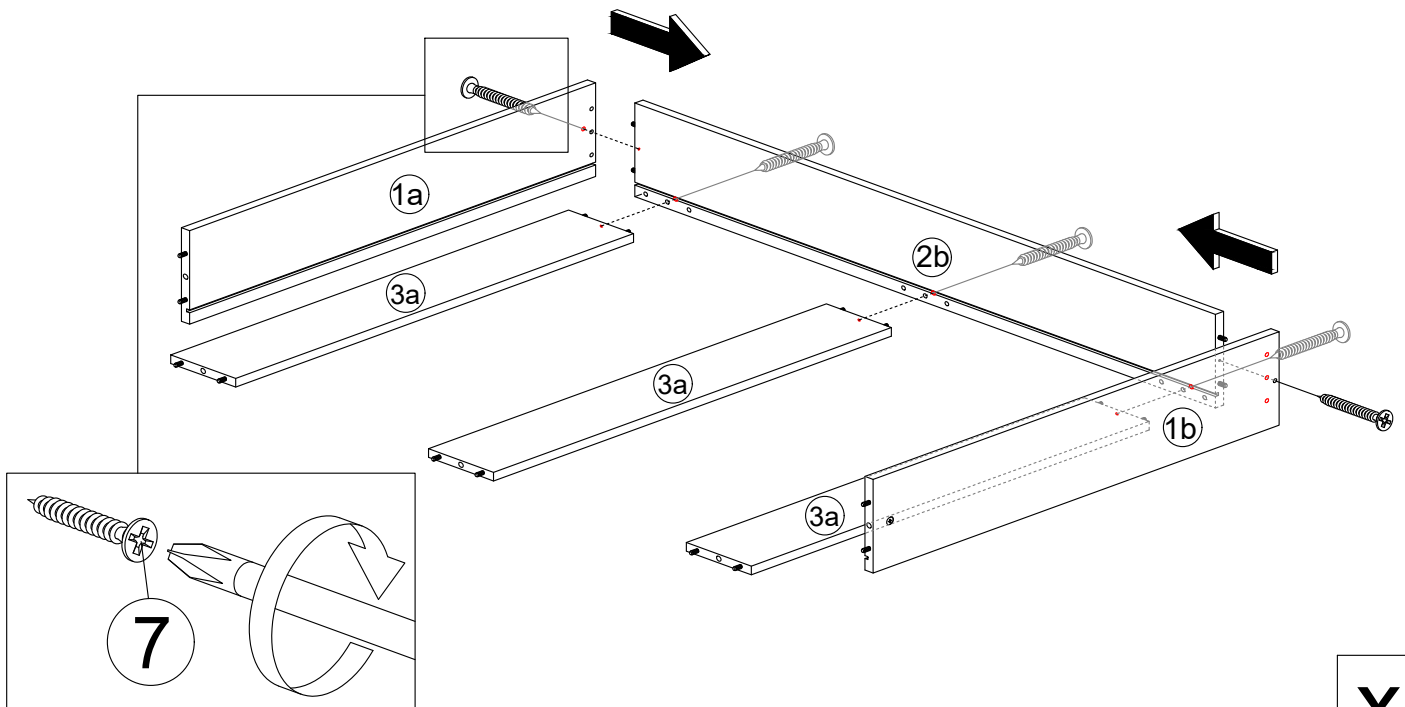
x2

Step 4

Required/Requis/Requerido

x10

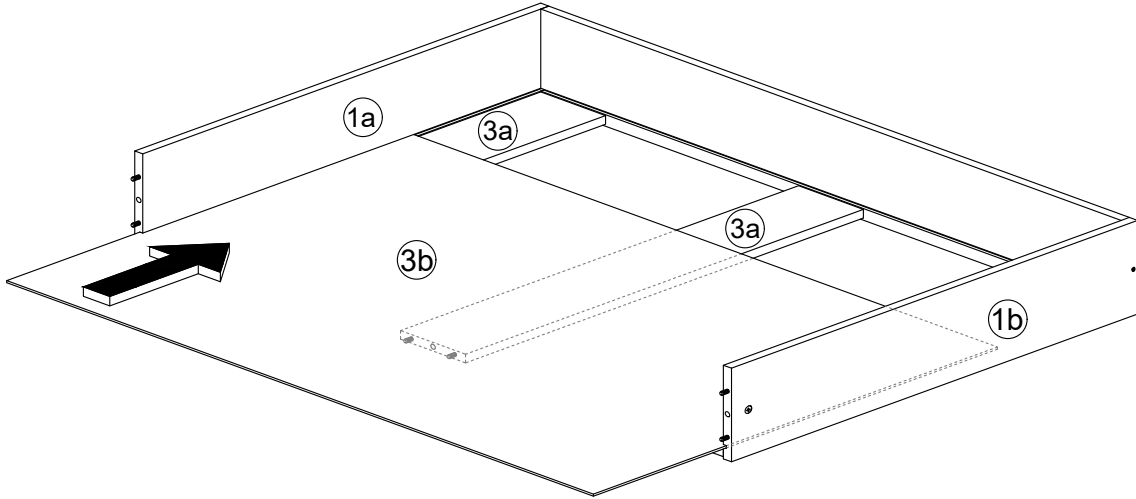
 7



x2

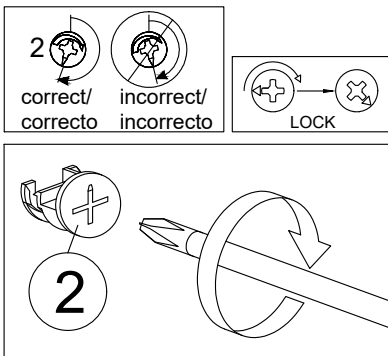
ASSEMBLY INSTRUCTION

Step 5



x2

Step 6



x2

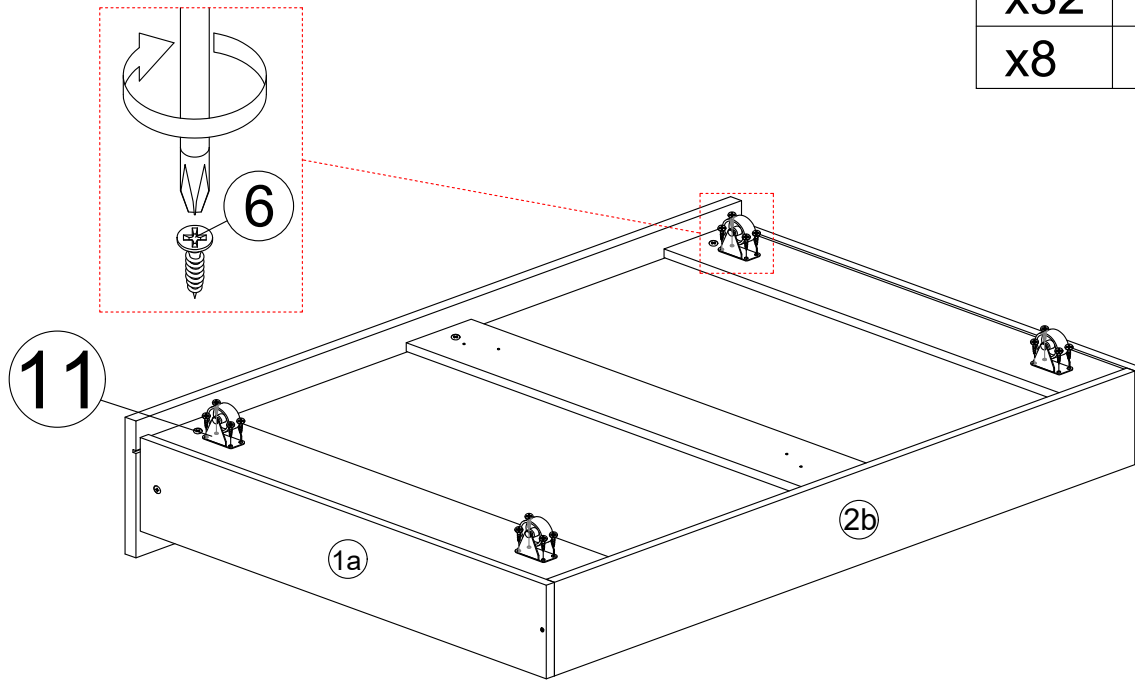
ASSEMBLY INSTRUCTION

Step 7

Required/Requis/Requerido

x32  6

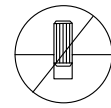
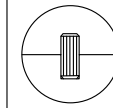
x8  11



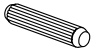
Bottom View

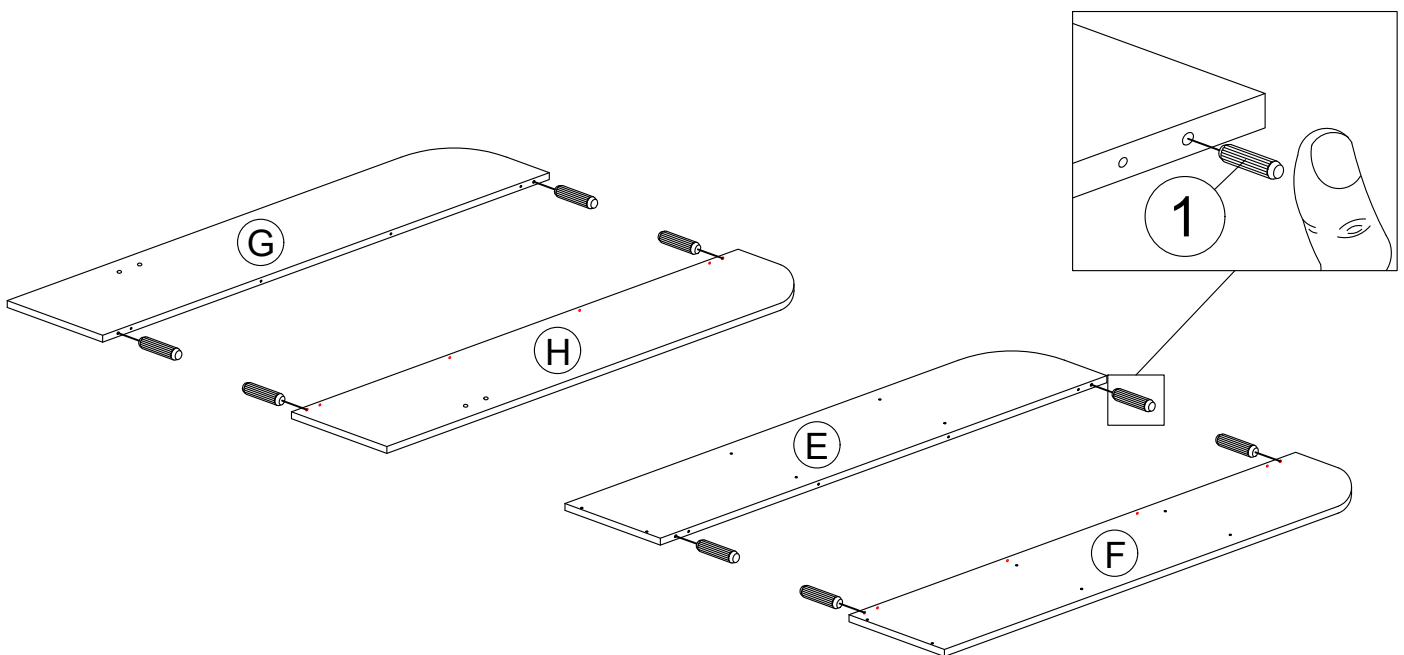
x2

Step 8



Required/Requis/Requerido

x8  1

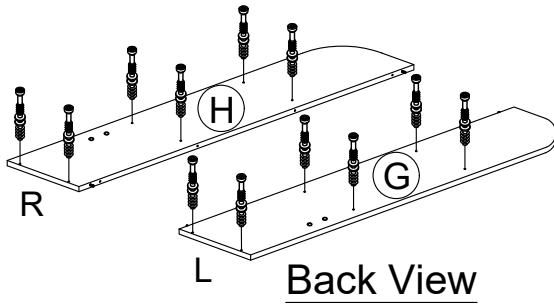
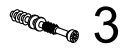


ASSEMBLY INSTRUCTION

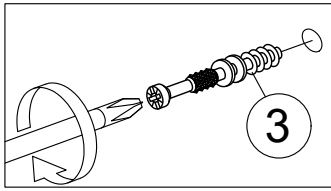
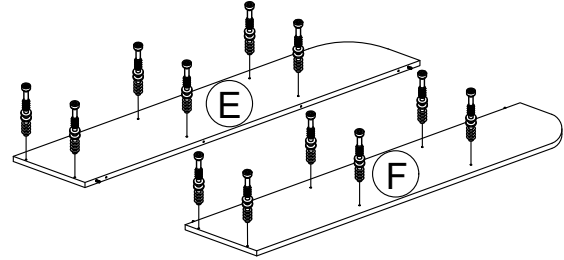
Step 9

Required/Requis/Requerido

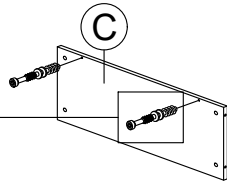
x42



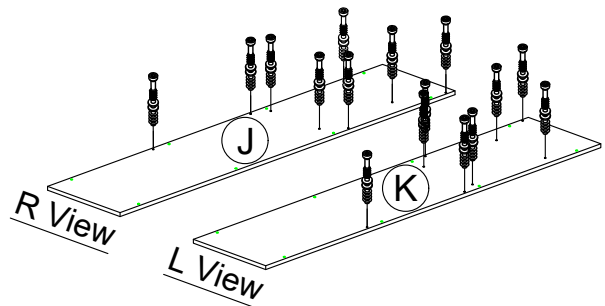
Back View



3



Middle Panel Up



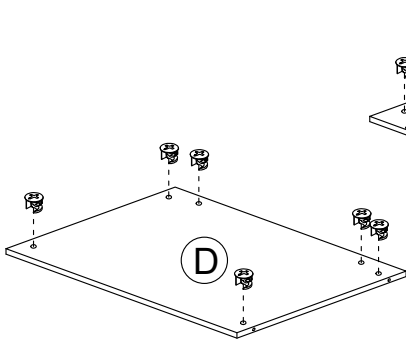
R View

L View

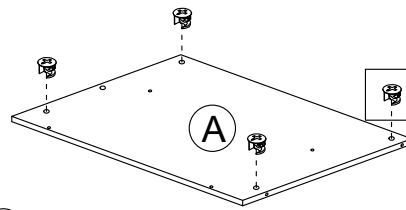
Step 10

Required/Requis/Requerido

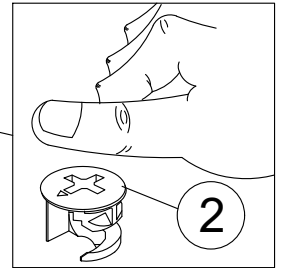
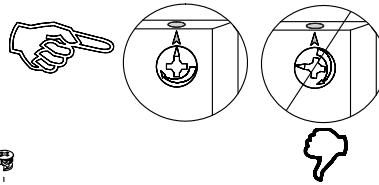
x42



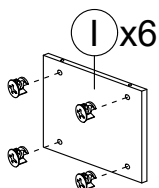
Back View



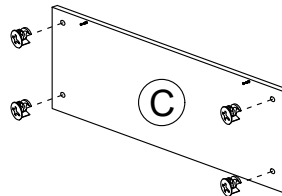
Back View



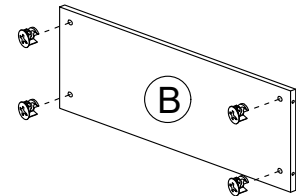
2



I x6



Bottom View



Bottom View

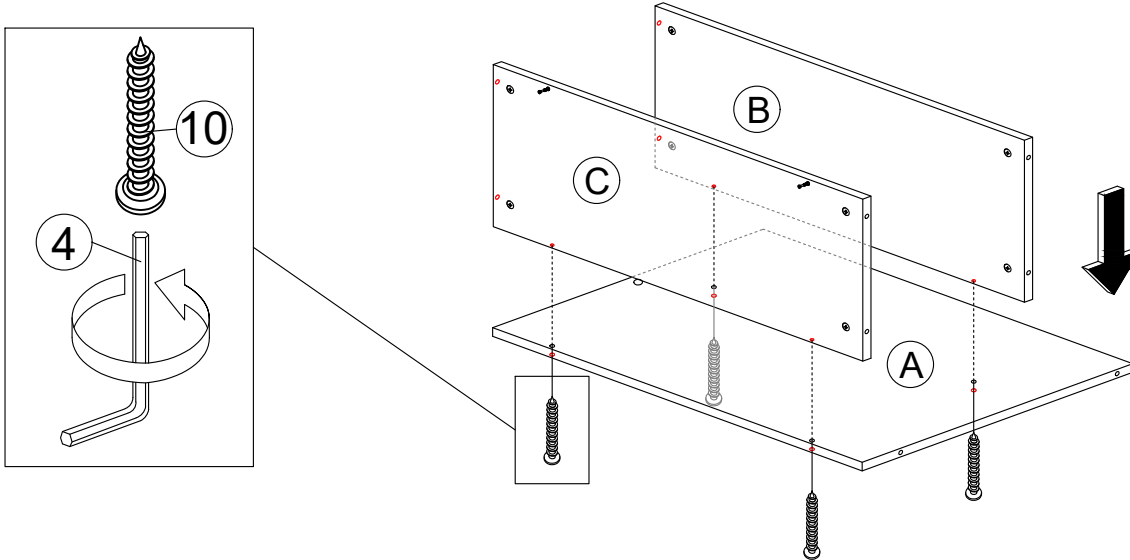
ASSEMBLY INSTRUCTION

Step 11

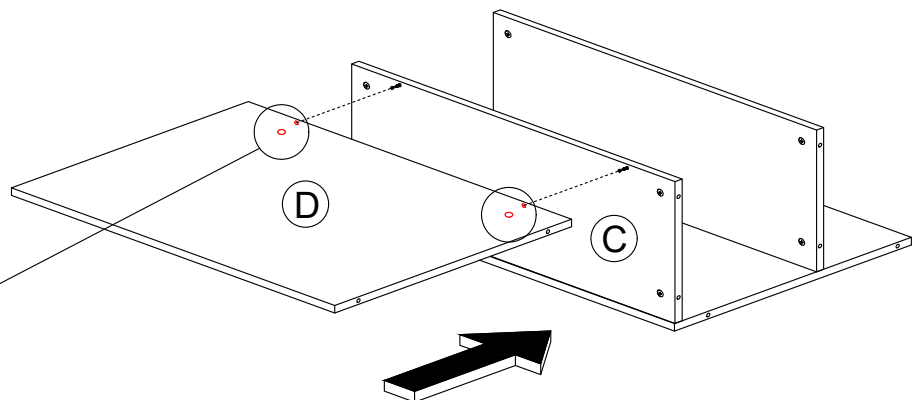
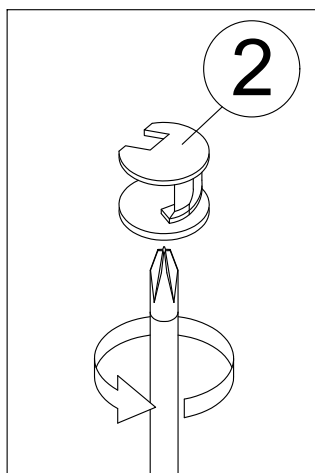
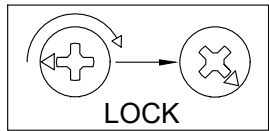
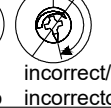
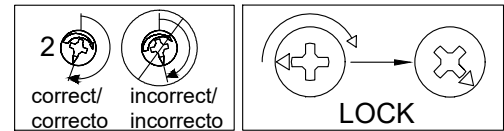
Required/Requis/Requerido

x1  4

x4  10

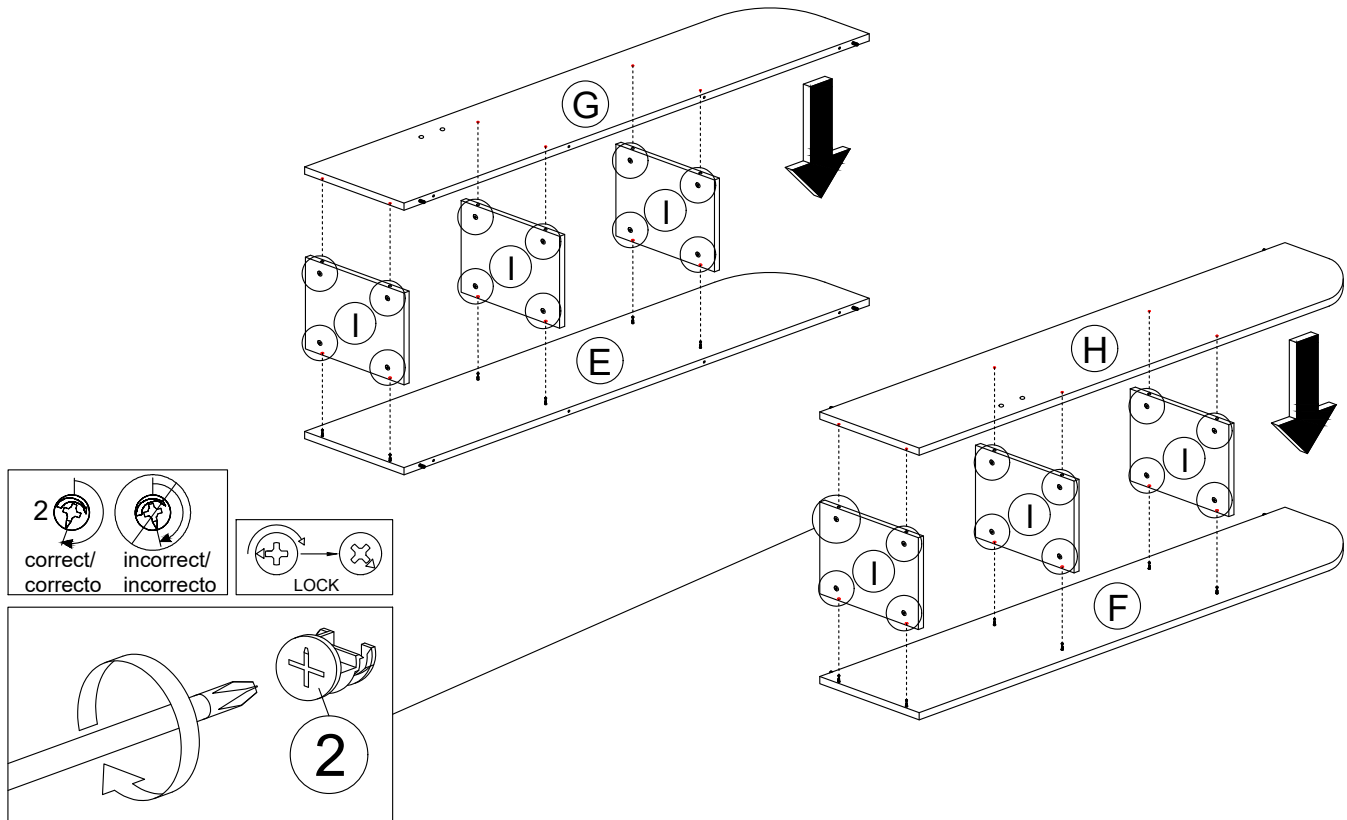


Step 12





ASSEMBLY INSTRUCTION

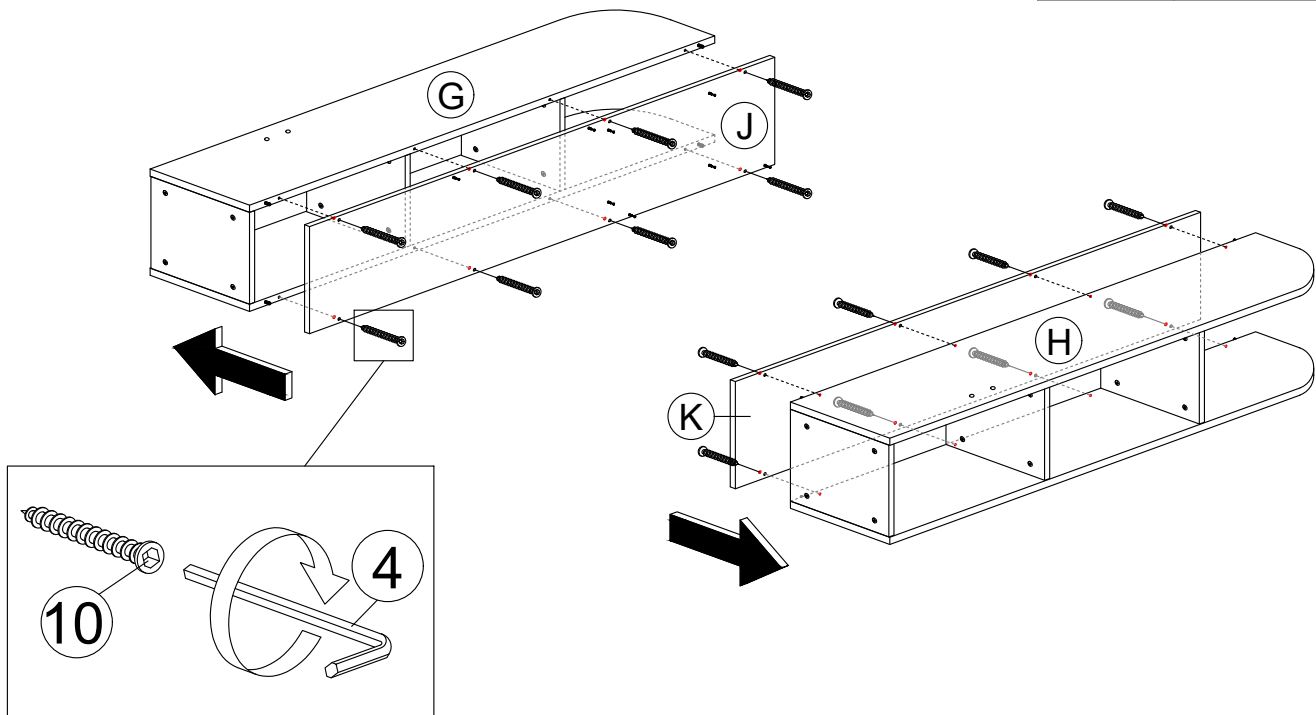
Step 13



Step 14

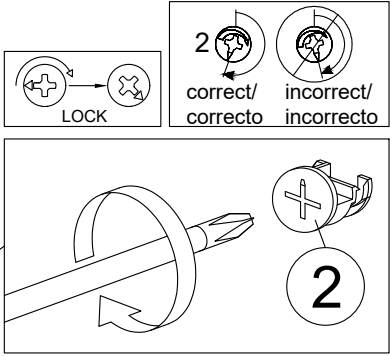
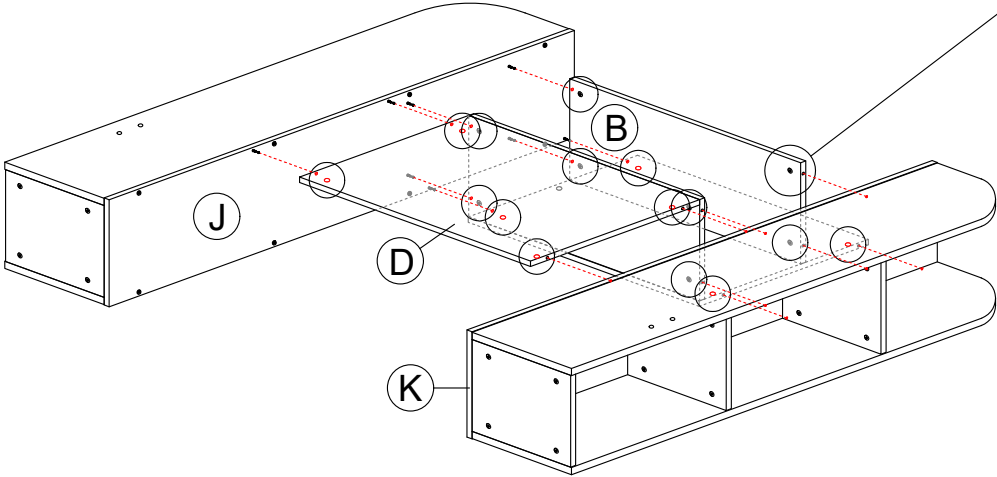
Required/Requis/Requerido

| | |
|-----|--|
| x1 |  4 |
| x16 |  10 |



ASSEMBLY INSTRUCTION

Step 15



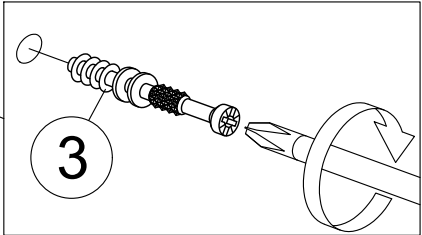
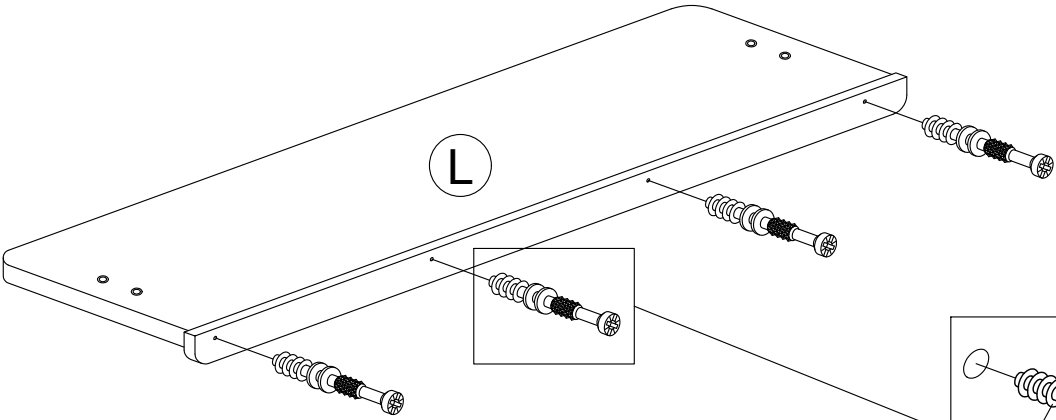
Step 16

Required/Requis/Requerido

x4



3

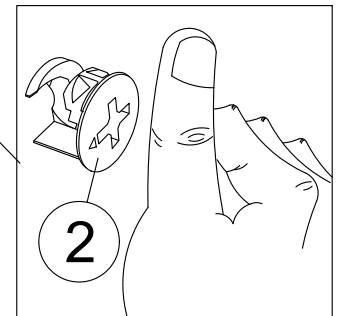
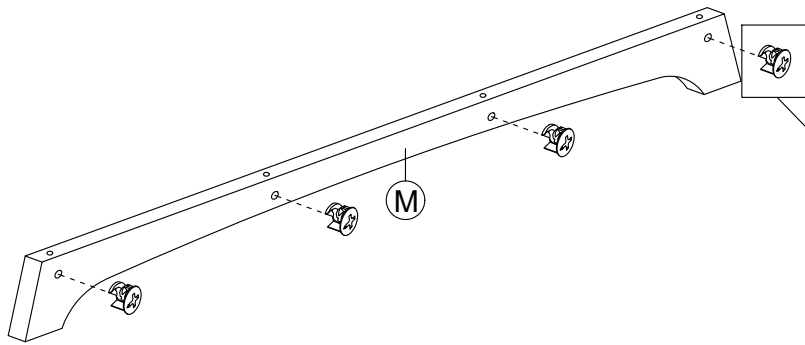
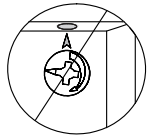
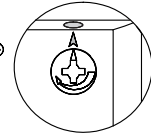


ASSEMBLY INSTRUCTION

Step 17

Required/Requis/Requerido

x4



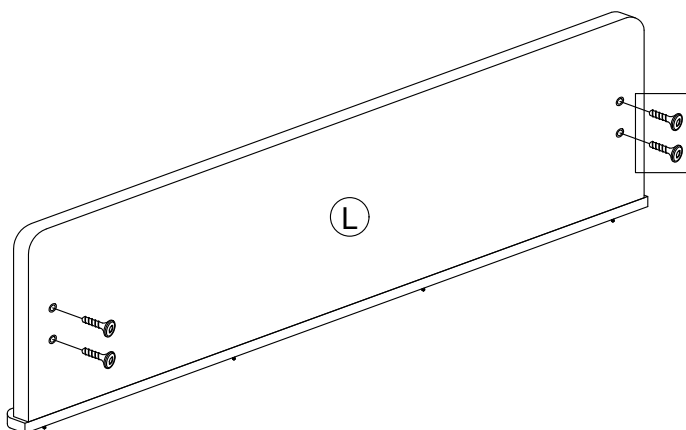
Step 18

Required/Requis/Requerido

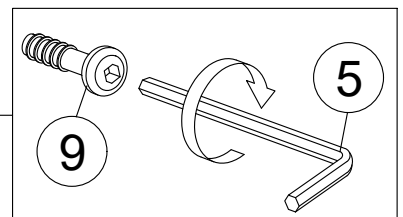
x1



x4



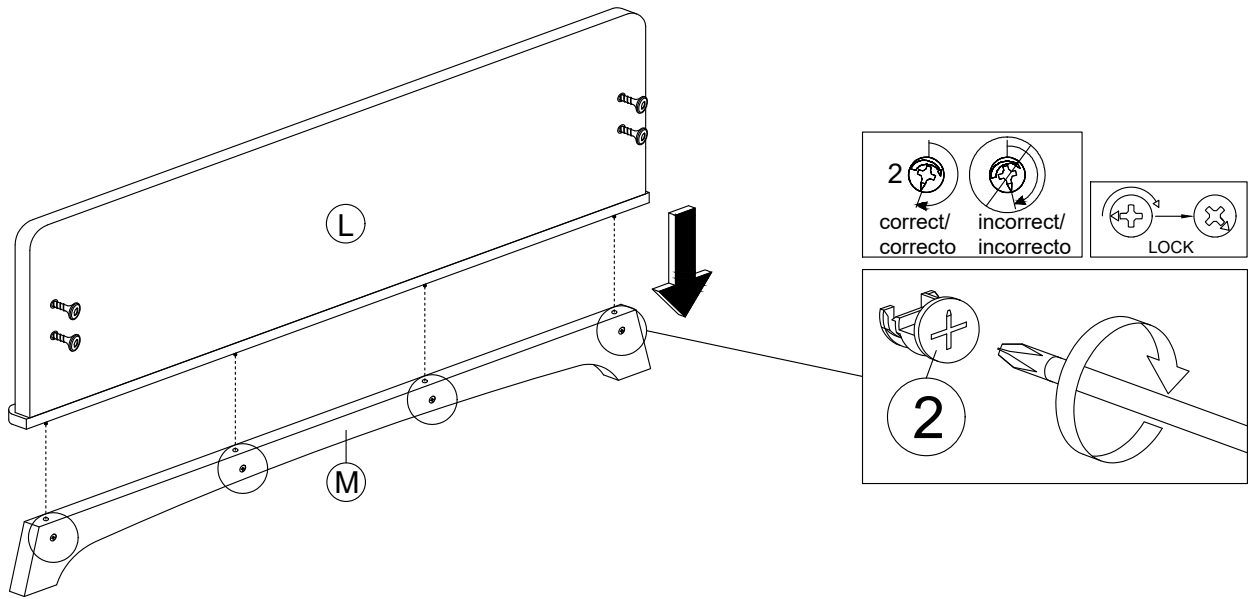
Don't Tighten until end,
please left 2-5mm
distance for next step
assembly part



Rear View

ASSEMBLY INSTRUCTION

Step 19



Rear View

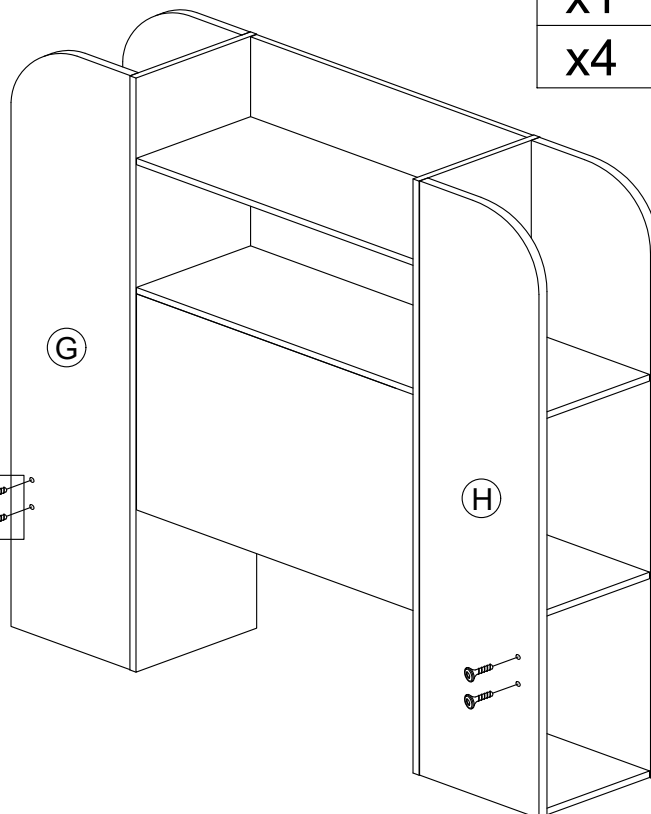
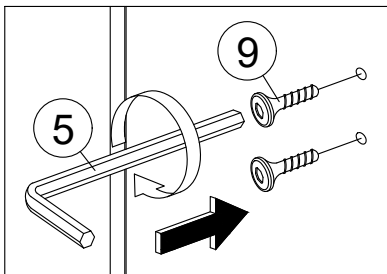
Step 20

Required/Requis/Requerido

x1  5

x4  9



Don't Tighten until end,
please left 2-5mm
distance for next step
assembly part

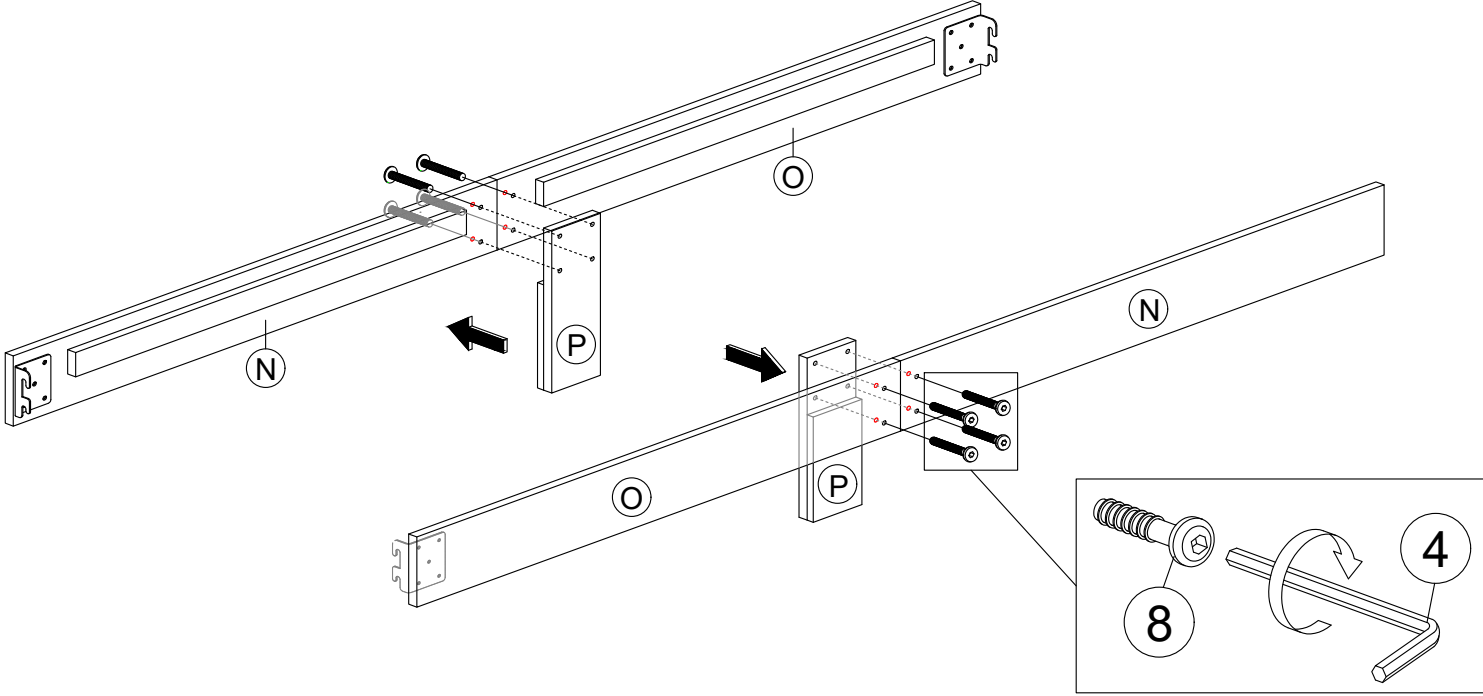


ASSEMBLY INSTRUCTION

Step 21

Required/Requis/Requerido

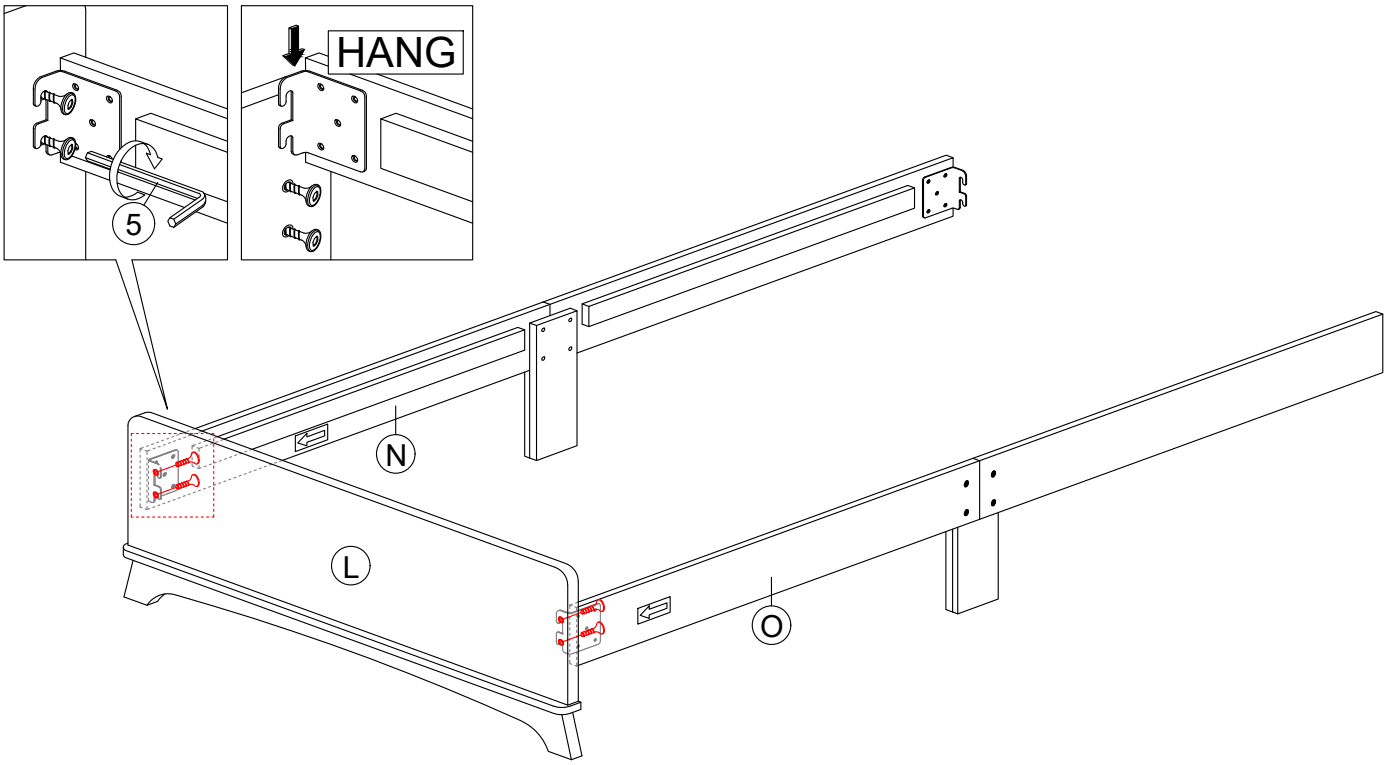
| | | |
|----|---|---|
| x1 |  | 4 |
| x8 |  | 8 |



Step 22

Required/Requis/Requerido

| | | |
|----|---|---|
| x1 |  | 5 |
|----|---|---|

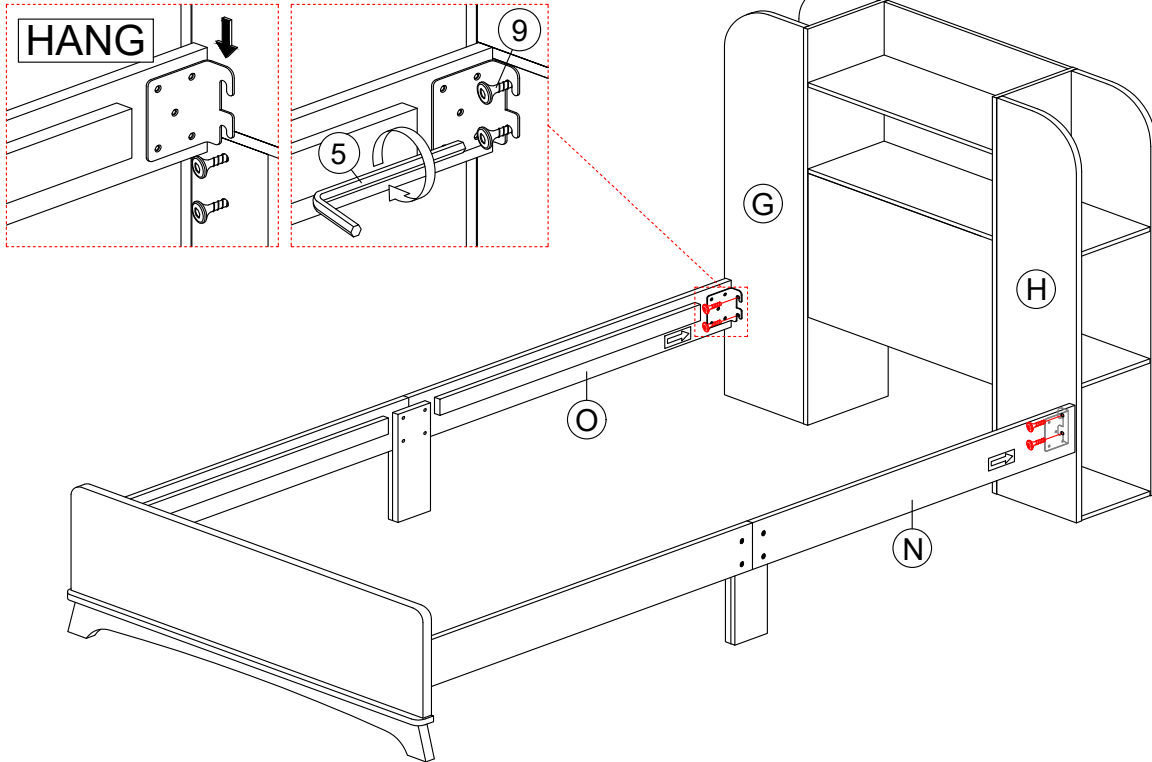


ASSEMBLY INSTRUCTION

Step 23

Required/Requis/Requerido

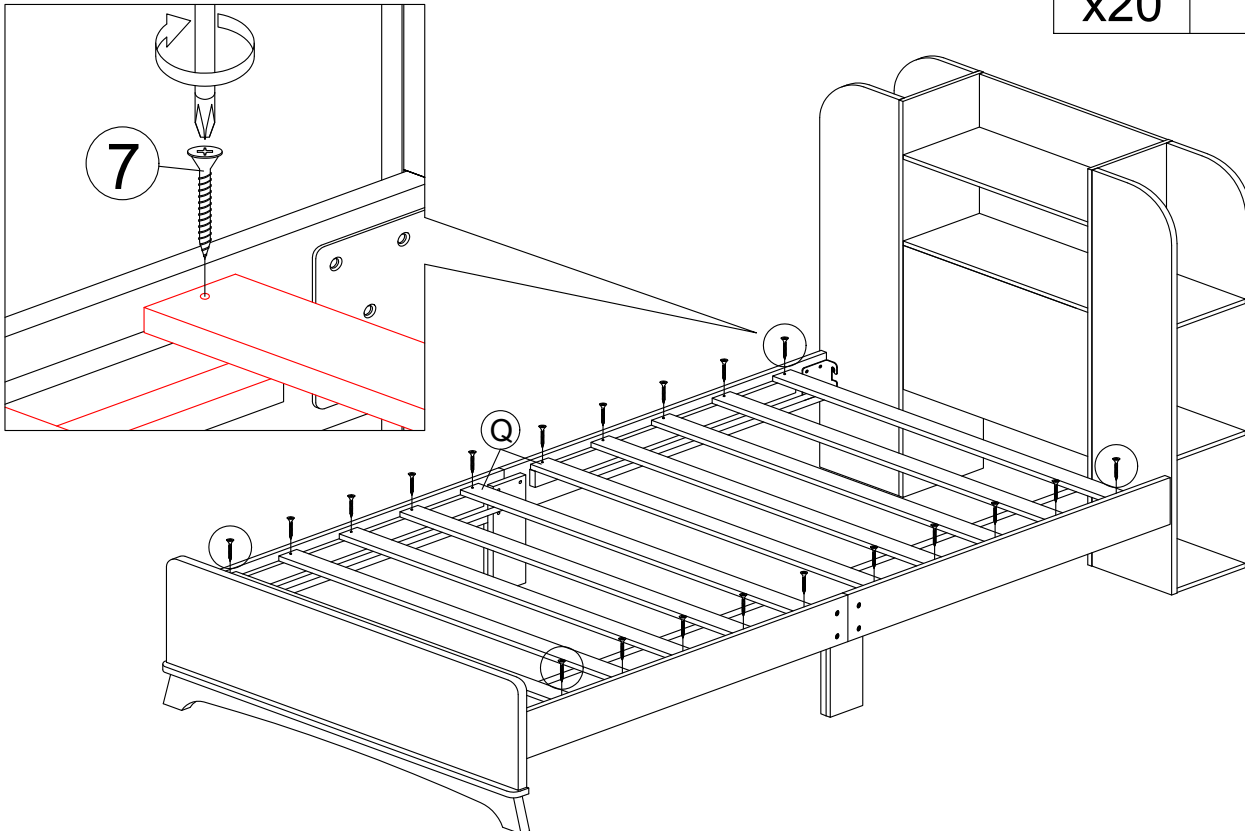
x1



Step 24

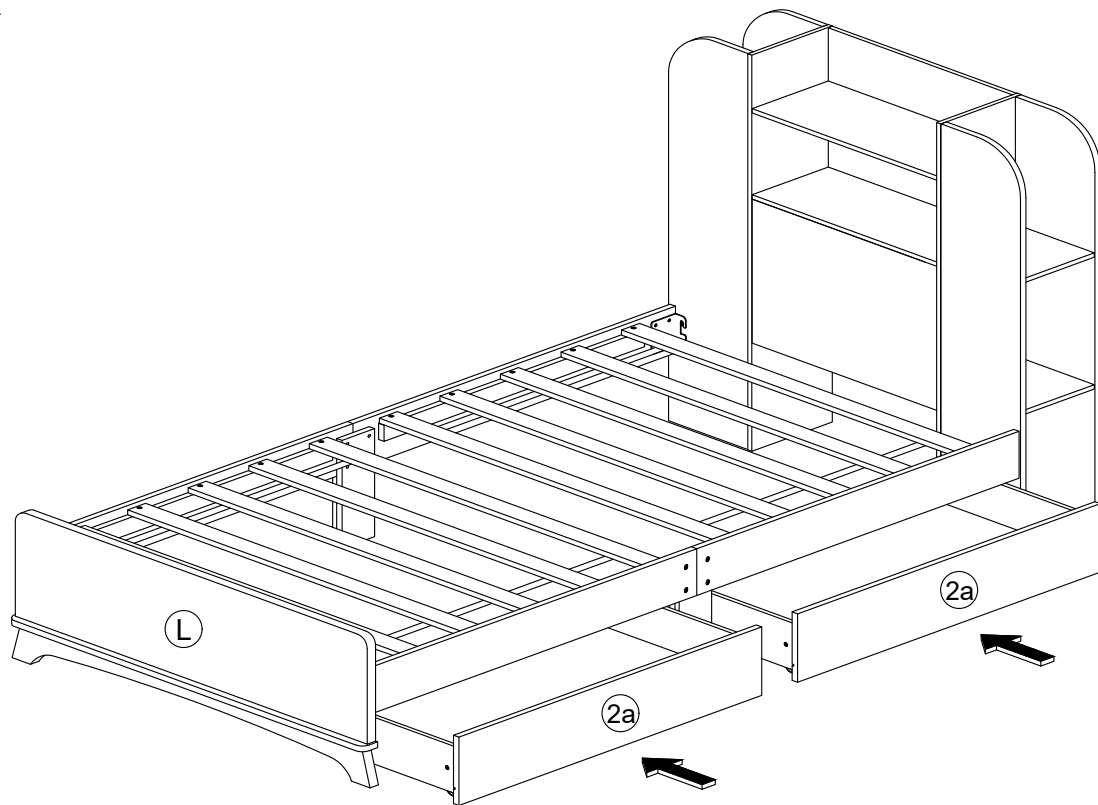
Required/Requis/Requerido

x20



ASSEMBLY INSTRUCTION

Step 25



Complete

